

# Parts Catalog



**G14-Q**

## Slicing Machine

**Model: G14-Q**

5/19/2023 Rev F

IMPORTANT!

TO EXPEDITE SHIPMENT OF PARTS, ALWAYS SPECIFY MODEL, REV,  
PART NUMBER, AND SERIAL NUMBER OF UNIT.

## **GLOBE FOOD EQUIPMENT COMPANY**

2215 East River Road  
Dayton, Ohio 45439

### **Parts Department**

Toll Free 1-800-745-6238 · Fax (937) 290-0585

E-Mail: [info@globefoodequip.com](mailto:info@globefoodequip.com)

Website: [www.globefoodequip.com](http://www.globefoodequip.com)

Not for resale

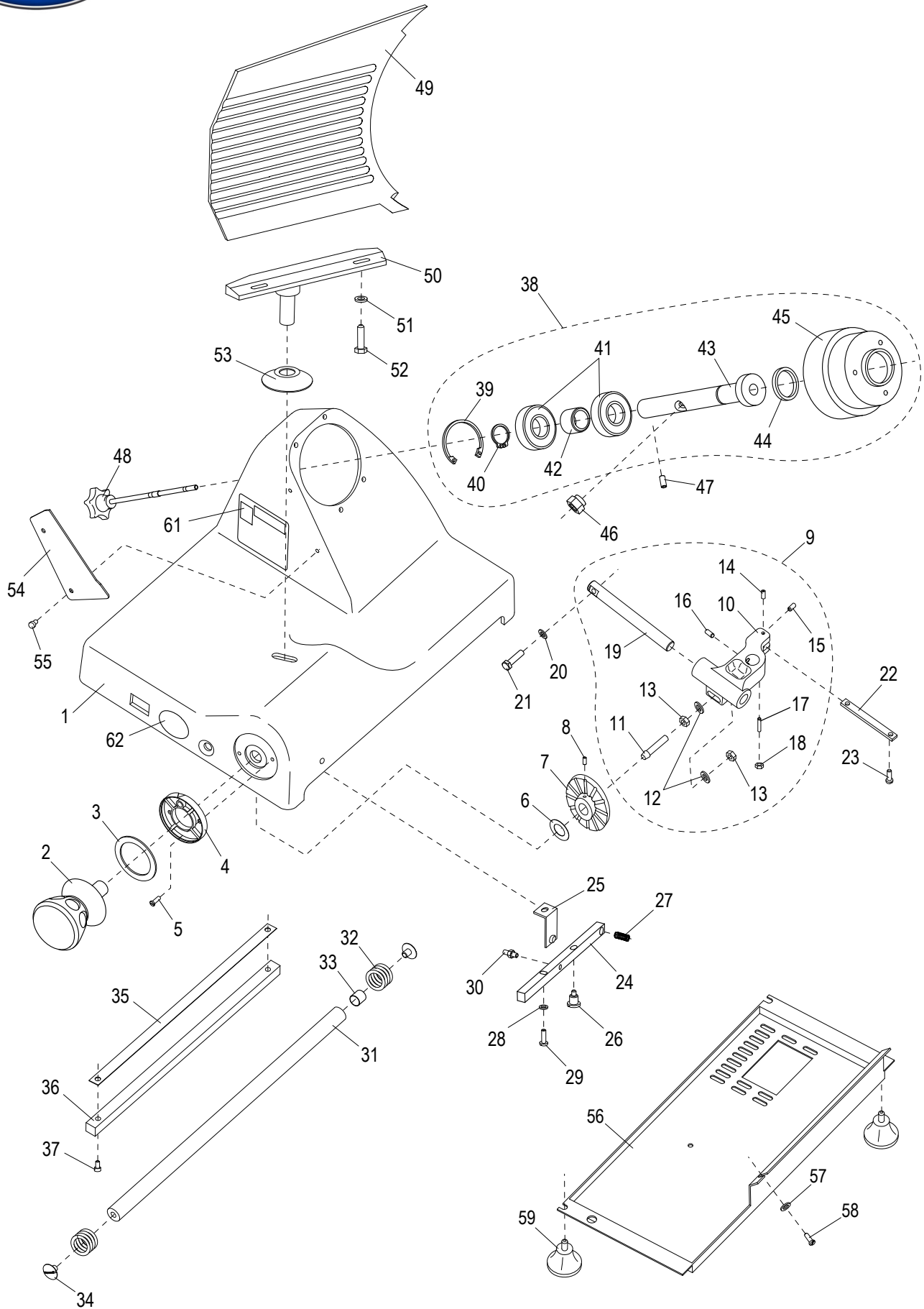


# Table of Contents

Description	Page
G14-Q Base Components	4
G14-Q Chute Components	8
G14-Q Knife and Sharpener Components	10
G14-Q Electrical Components	12
G14-Q Wiring Diagram - 115V, 50_60 HZ, 1PH	14



# G14-Q Base Components





## G14-Q Base Components

Item	Part Number	Description	Qty	Serial Number
1		Slicer Base	1	
2	M00234	Table Adjustment Knob	1	
3	M00300	Washer	1	
4	M00301	Ferrule	1	
5	H00189	Cheese Hd Screw M4-0.7x10 Slotted - Zn	2	
6	M003	Wave Washer	1	
7	M004	Cam	1	
8	H00181	Set Screw	2	
9	M305	Table Slide Assembly	1	
10		Table Slide	0	
11	M03026	Threaded Rod	1	
12	X08101	Washer M8x16mm Flat	2	
13	H00192	Hex Nut M8-1.25,13mm Width,4 mm Height-Zn	2	
14	H00182	Set Screw M5x10 Flat Pt Slotted - Zn	1	
15	H00185	Set Screw	1	
16	H00186	Set Screw M8-1.25x10 Cup Pt. Hex Socket - BO	2	
17	H00188	Set Screw	1	
18	X30186	Hex Nut M5-0.8 OD-8, TH-4mm, Zinc	1	
19	MR36	Table Slide Rod	1	
20	X08101	Washer M8x16mm Flat	2	
21	H00116	Hex Head Screw M6-1.0x20 - Zn	2	
22	M016	Table Slide Plate	1	
23	H00061	Hex Head Screw M5x10, Zinc	2	
24	M00313	Release Lever	1	
25	M00296	Release Lever Bracket	1	
26	M00297	Screw	1	
27	M00298	Spring	1	
28	H00063	Flat Washer, M5, Zinc	1	
29	H00319	Mounting Bracket Screw	1	
30	M00292	Threaded Rod	1	
31	M00242	Round Slide Rod	1	
32	M00243	Spring	2	
33	M00302	Spacer	1	
34	ME25	Screw	2	
35	ME31/1	Wear Strip	1	
36	M00303	Square Slide Bar	1	
37	H00056	Screw	2	
38	MS12/2A	Knife Hub Assembly	1	
39		Retaining Ring, Internal	1	
40	H00195	Retaining Ring, External	1	
41	M020	Bearing (6204 6RS)	2	
42	M00249	Spacer	1	
43		Shaft, Knife Hub	1	
44	MR12/7	Oil Seal	1	
45		Pulley, Knife Hub	1	
46	MCR61	Knife Hub Nut	1	
47	H00184	Set Screw	1	
48	M00250	Knife Cover Release Knob	1	
49	M00304	Table	1	
50	M00252	Table Support	1	
51	X08101	Washer M8x16mm Flat	2	
52	H00196	Screw	2	
53	M00646	Hole Cover	1	



## G14-Q Base Components

---

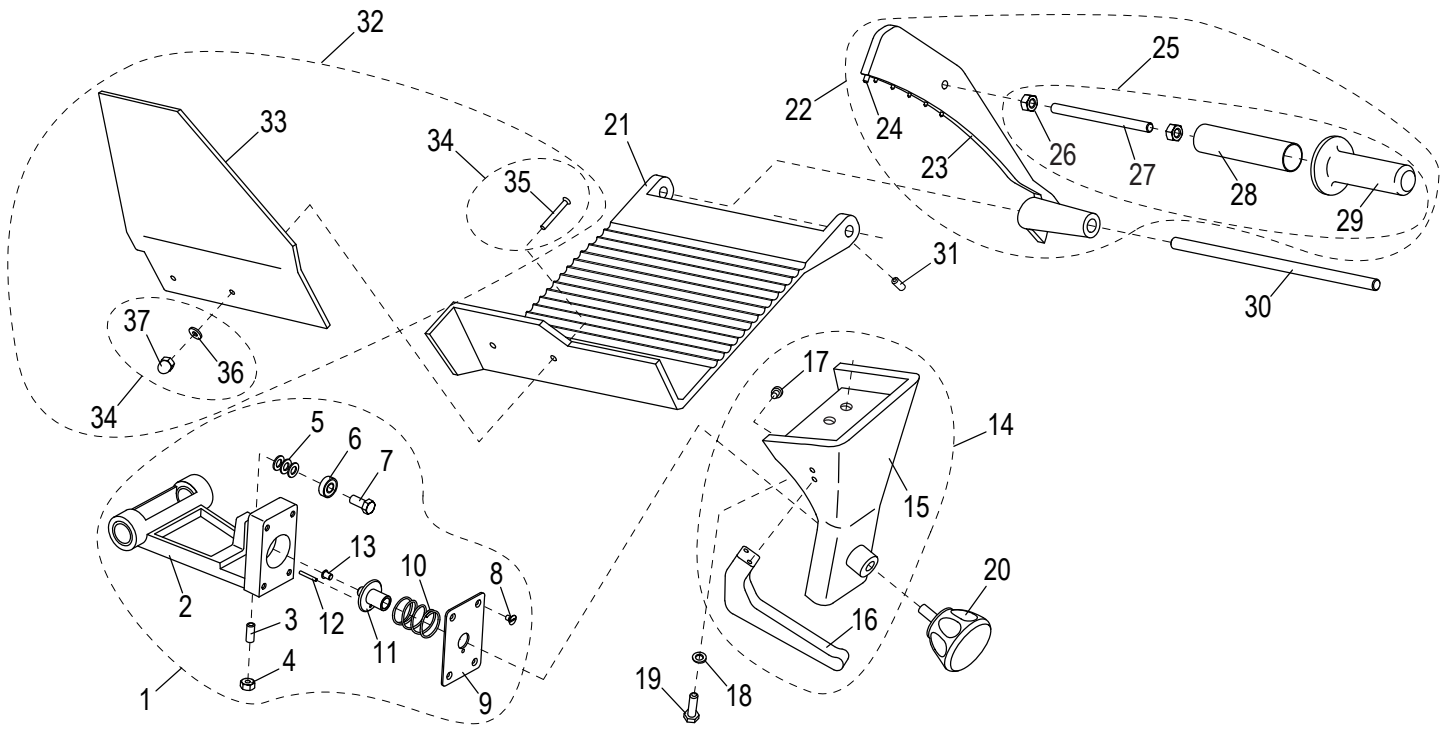
Item	Part Number	Description	Qty	Serial Number
54	<a href="#">MS22</a>	Slice Deflector	1	
55	<a href="#">MCC23</a>	Thumb Screw	2	
56	<a href="#">MS64</a>	Bottom Cover	1	
57	<a href="#">H00063</a>	Flat Washer, M5, Zinc	1	
58	<a href="#">H00061</a>	Hex Head Screw M5x10, Zinc	1	
59	<a href="#">M115</a>	Foot	4	
60	<a href="#">M91022</a>	Warning Label (Not Shown)	1	
61	<a href="#">82-F</a>	French Warning Label (Not Shown)	1	
62	<a href="#">M91021</a>	Globe Logo	1	



*INTENTIONALLY LEFT BLANK PAGE*



# G14-Q Chute Components



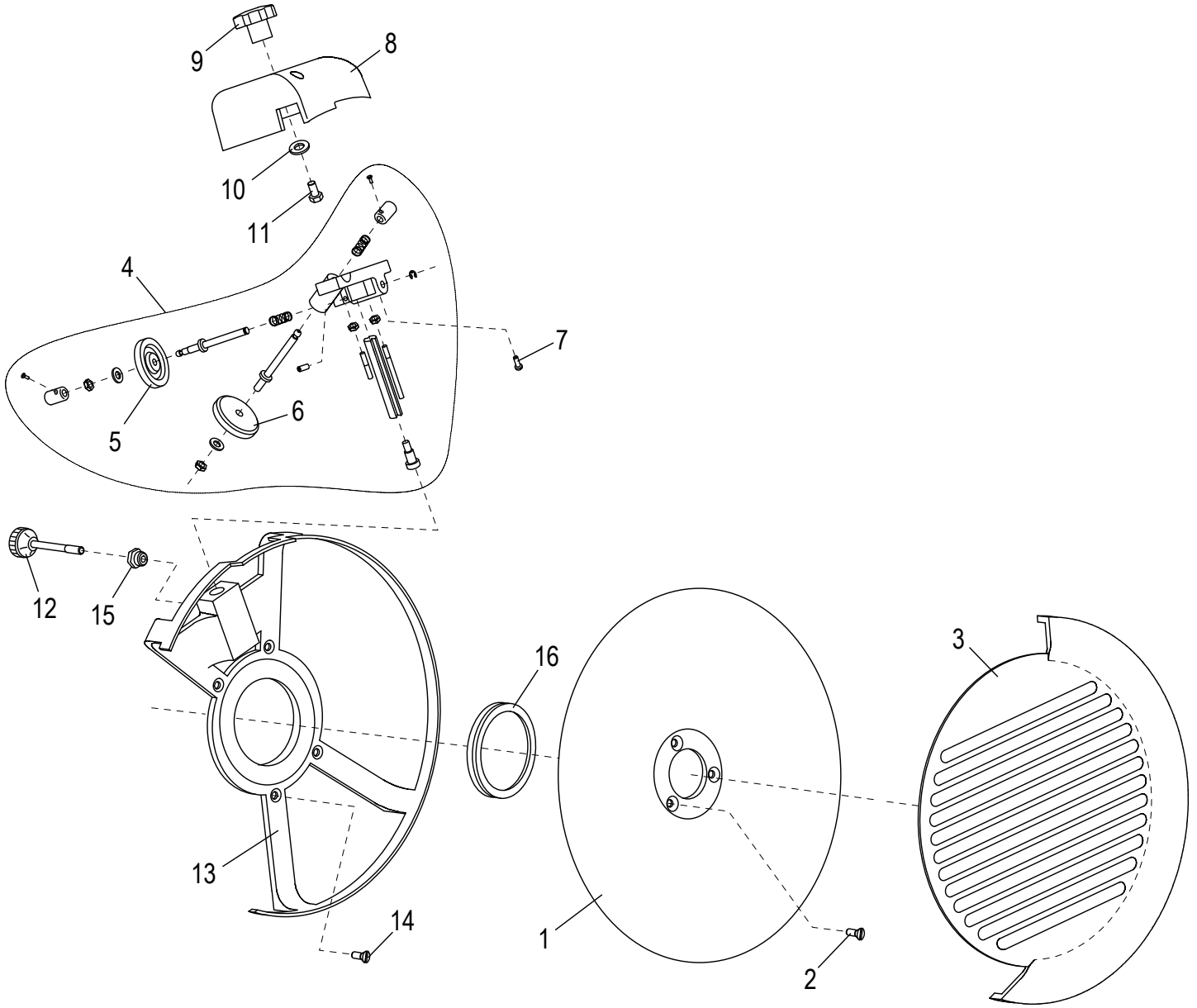


## G14-Q Chute Components

Item	Part Number	Description	Qty	Serial Number
1	M00314	Chute Slide Assembly (Incls. items 2-13)	1	
2		Chute Slide	1	
3	MS30	Brass Stud	1	
4	H00192	Hex Nut M8-1.25,13mm Width,4 mm Height-Zn	1	
5	X08101	Washer M8x16mm Flat	3	
6	M056	Bearing (608 2RS)	1	
7	H00117	Hex Head Screw M8x20 - Zn	1	
8	H00309	Screw	4	
9	M00175	Release Plate	1	
10	M00174	Spring	1	
11	M00173	Internal Release	1	
12	M00307	Threaded Rod	1	
13	M00308	Release Cap	1	
14	M00176	Chute Support Assembly (Incls. items 15-17)	1	
15		Chute Support	1	
16	M067	Chute Support Handle	1	
17	H00156	Ext. Hex Hd M6x1.0x12 mm Screw Zinc 8.8	2	
18	X08101	Washer M8x16mm Flat	2	
19	H00117	Hex Head Screw M8x20 - Zn	2	
20	M00312	Chute Support Knob	1	
21	M00177	Chute	1	
22	M00391	End Weight Assembly (Incls. items 23-29)	1	
23		End Weight	1	
24	MC39	Bumper	1	
25	M00342	End Weight Handle Kit	1	
26	H00341	Nut	2	
27		Threaded Rod	1	
28		Spacer	1	
29		End Weight Handle	1	
30	M00178	End Weight Rod	1	
31	H00199	Set Screw	1	
32	M00169	Hand Guard Kit (Incls. items 33-37)	1	
33		Hand Guard	1	
34	M00651	Hardware Kit (Incls. items 35-37)	1	
35		Hand Guard Mounting Screw	2	
36		Hand Guard Washer	2	
37		Hand Guard Nut	2	



# G14-Q Knife and Sharpener Components





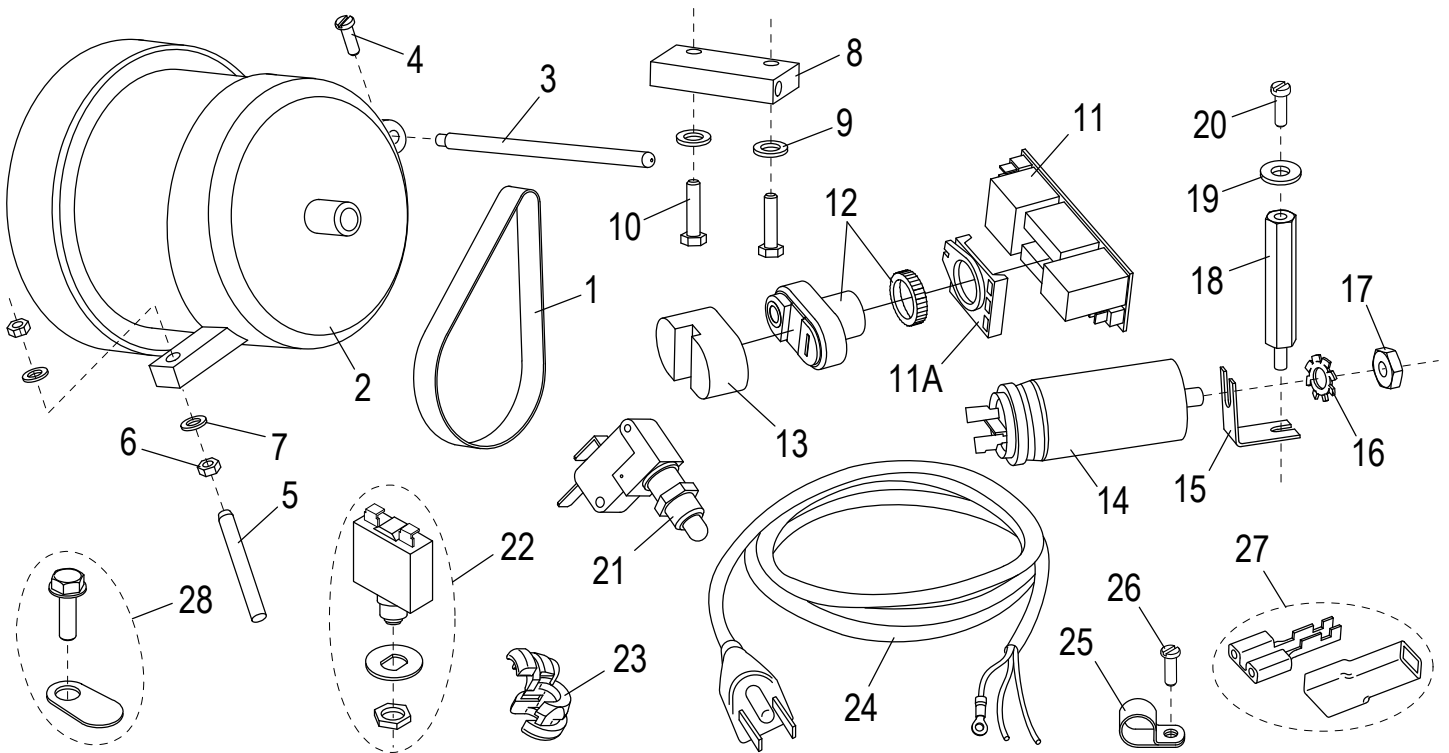
## G14-Q Knife and Sharpener Components

---

Item	Part Number	Description	Qty	Serial Number
1	M00262	Knife	1	
2	H00201	Screw	3	
3	M00332	Knife Cover	1	
4	MC17A	Sharpener Assembly	1	
5	M092	Deburring Stone	1	
6	MCC17	Sharpening Stone	1	
7	H00187	Cheese Hd Screw M5-0.8x16 Slotted - Zn	2	
8	M074	Sharpener Cover	1	
9	M075	Sharpener Cover Knob	1	
10	M035	Flat Washer ID 6.5 OD 12 TH 1.5 mm Zinc	1	
11	H00197	Hex Hd Screw M6x15 - Zn	1	
12	M096	Sharpener Release Knob	1	
13	MS14/1	Rim Guard	1	
14	H00435	Screw	4	
15	M045	Insert	1	
16	MS77/5	Knife Seal	1	



# G14-Q Electrical Components





## G14-Q Electrical Components

Item	Part Number	Description	Qty	Serial Number
1	MS51	Belt	1	
2	MS43/1	Motor (115V/60HZ/4.5A)	1	
3	MB52/1	Pin	1	
4	H00189	Cheese Hd Screw M4-0.7x10 Slotted - Zn	1	
5	M033	Threaded Rod	1	
6	M034	Hex Nut M6x1.0 OD 10 mm TH 5 mm Zinc	2	
7	M035	Flat Washer ID 6.5 OD 12 TH 1.5 mm Zinc	2	
8	M00356	Mounting Block	1	
9	H00063	Flat Washer, M5, Zinc	2	
10	H00357	Screw	2	
11	M00351	Electrical Card	1	
11A	M00400	Connector	1	
12	M00350	Power Switch	1	
13		Power Switch Cover	1	
14	MB54/3	Capacitor	1	
15		Bracket, Capacitor Mounting	1	
16	H00335	Lock Washer M8, ID-8.4, OD-15, TH-0.8mm Zn	1	
17	H00192	Hex Nut M8-1.25,13mm Width,4 mm Height-Zn	1	
18	M00361	Standoff	1	
19	M035	Flat Washer ID 6.5 OD 12 TH 1.5 mm Zinc	1	
20	H00061	Hex Head Screw M5x10, Zinc	1	
21	M026	Microswitch	1	
22	MK7004	Reset Switch	1	
23	M111	Strain Relief	1	
24	MB65/4F	Powercord	1	
25		Cable Clamp	1	
26	H00061	Hex Head Screw M5x10, Zinc	1	
27	M00233	Terminal & Insulator	12	
28	M00334	Ground Screw	1	

