

# Parts Catalog



*precisely!*



**G10E Slicer**

## SLICING MACHINE

MODEL: G10E

10-14-13N

IMPORTANT!

TO EXPEDITE SHIPMENT OF PARTS, ALWAYS SPECIFY MODEL, REV,  
PART NUMBER, AND SERIAL NUMBER OF SLICER.

### GLOBE FOOD EQUIPMENT COMPANY

2215 East River Road  
Dayton, Ohio 45439

#### Parts Department

Toll Free 1-800-745-6238 • Fax (937) 290-0585

E-Mail: [globeinfo@globeslicers.com](mailto:globeinfo@globeslicers.com)

Website: [www.globeslicers.com](http://www.globeslicers.com)

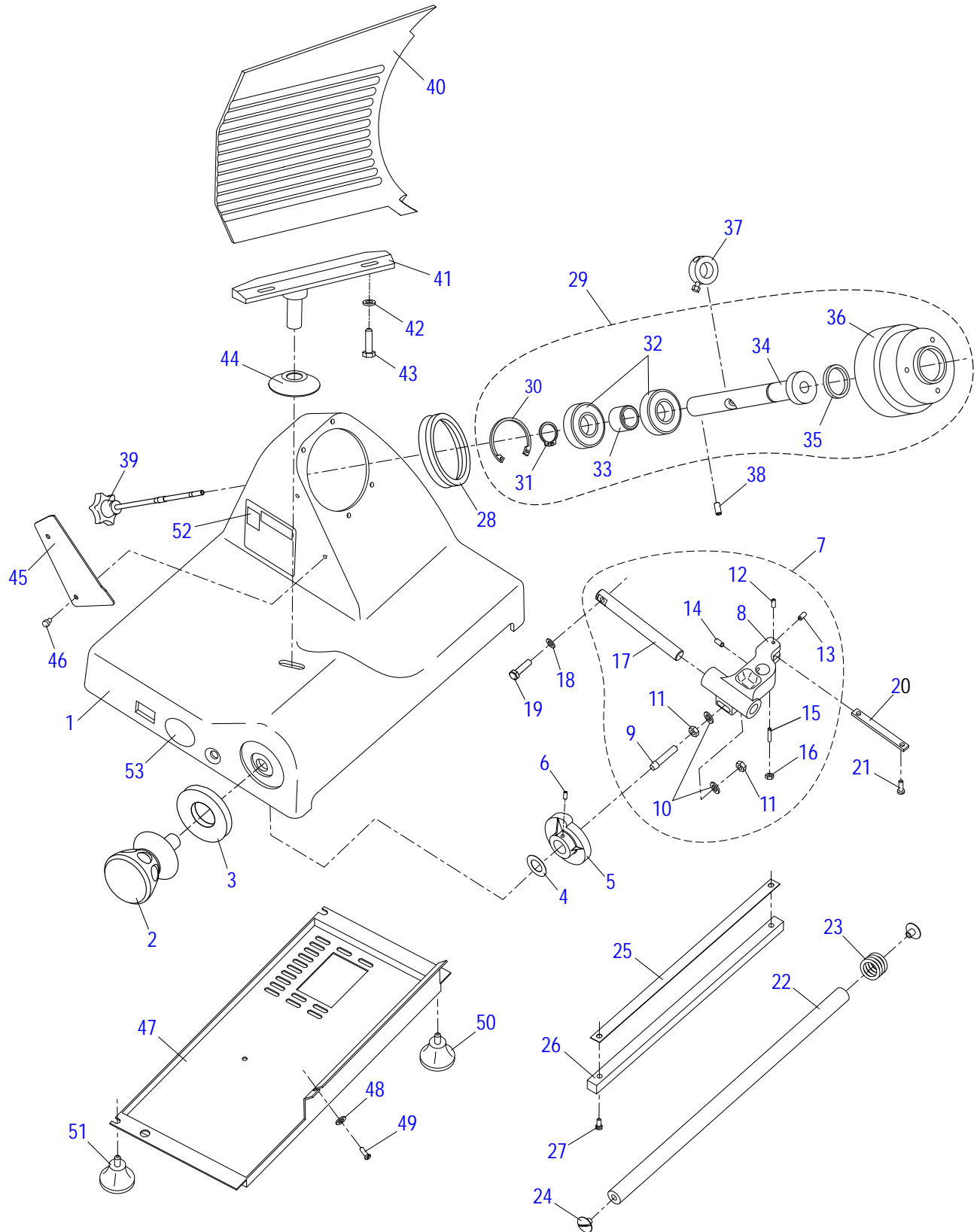
Not for resale



# TABLE OF CONTENTS

	Page
<u>Base Components</u>	<u>1 - 2</u>
<u>Chute Components</u>	<u>3</u>
<u>Knife &amp; Sharpener Components</u>	<u>4</u>
<u>Electrical Components</u>	<u>5</u>
<u>Wiring Diagram</u>	<u>6</u>

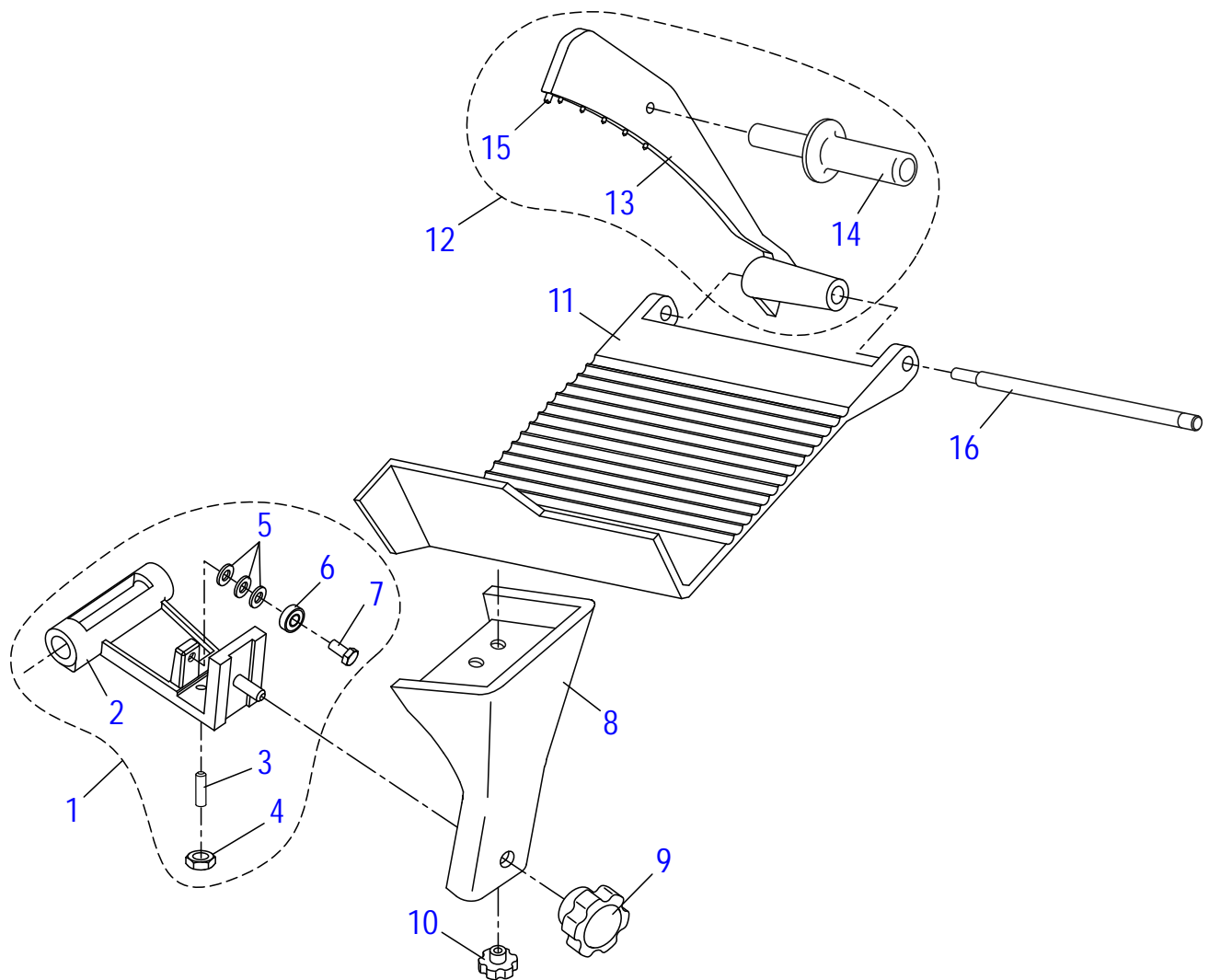
# G10E BASE COMPONENTS



# G10E BASE PARTS LIST

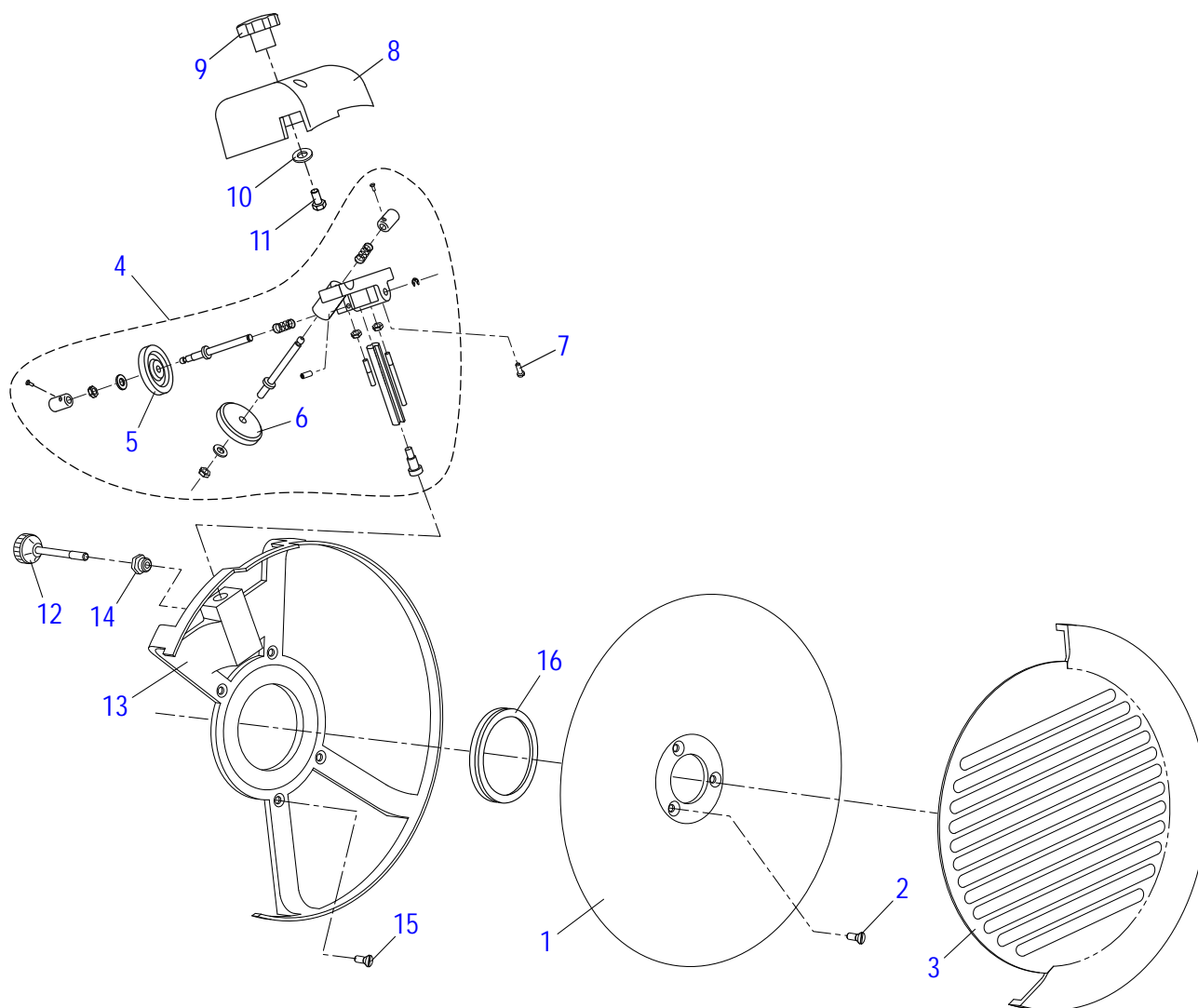
Item	Description	Qty	Part Number	Hardware
1	Slicer Base	1	-	
2	Table Adjustment Knob	1	M00208	
3	Table Adjustment Ferrule	1	M00211	
4	Wave Washer	1	M003	
5	Table Adjustment Cam	1	M004	
6	Table Adjustment Cam Set Screw	2	H00181	M5x10 Dog Point
7	Table Slide Assy (Item 8 to 17)	1	M00212	
8	Table Slide	1	-	
9	Stud, Cam Actuator	1	MCA34	
10	Flat Washer	2	H00014	M6 Flat Washer
11	Hex Nut, Table Slide Bottom	2	H00020	M6 Hex Nut
12	Set Screw, Table Slide Top	1	H00182	M5x10 Flat Point
13	Screw, Table Slide End	1	H00189	M4x10 Cylindrical Head
14	Set Screw, Table Slide Side	2	H00186	M8x10 Cup Point
15	Screw, Table Slide Bottom	1	H00187	M5x16 Cylindrical Head
16	Hex Nut, Table Slide Bottom	1	H00028	M5 Hex Nut
17	Rod, Table Slide	1	M014	
18	Slide Rod Flat Washer	2	H00191	M8
19	Slide Rod Screw	2	H00116	M6x20 Hex Head
20	Table Slide Plate	1	M016	
21	Slide Plate Screw	2	H00061	M5x10 Cylindrical Head
22	Carriage Slide Rod	1	MCA26	
23	Carriage Spring	2	MCA27	
24	Slide Rod Screw	2	MCA25	
25	Wear Strip, Slide Bar	1	MA31/1	
26	Slide Bar, Square	1	MCA31	
27	Slide Bar Screw	2	H00187	M5x16 Cylindrical Head
28	Motor Hub Seal	1	MGI77/5	
29	Knife Hub Assembly (Item 30 - 36)	1	M00280	
30	Retaining Ring, Internal	1	H00053	M35, DIN 472
31	Retaining Ring, External	1	H00194	M15, DIN 471
32	Bearing	2	MCA12/3	
33	Spacer, Knife Pulley	1	M00237	
34	Shaft, Knife Hub - Switch Collar	1	M00337	
35	Oil Seal, Hub	1	MR12/7	
36	Pulley, Knife Hub	1	M00238	
37	Microswitch Collar	1	MCB61	
38	Knife Shaft Set Screw	1	H00183	M5x10 Cup Point
39	Knife Cover Release Knob	1	M00224	
40	Table	1	M00221	
41	Table Support	1	M00239	
42	Table Support Washer	2	H00014	M6 Flat Washer
43	Table Support Screw	2	H00116	M6x20 Hex Head
44	Hole Cover, Base	1	M00218	
45	Knife Wiper	1	M097	
46	Thumb Screw, Knife Wiper	2	MCC23	
47	Bottom Cover	1	M00240	
48	Flat Washer	1	H00063	M5 Flat Washer
49	Cover Screw	1	H00061	M5x10 Cylindrical Head
50	Back Foot	2	M00219	
51	Front Foot	2	M00220	
52	Warning label	1	M91022	
53	Label, Globe Logo	1	M91021	

# G10E CHUTE COMPONENTS



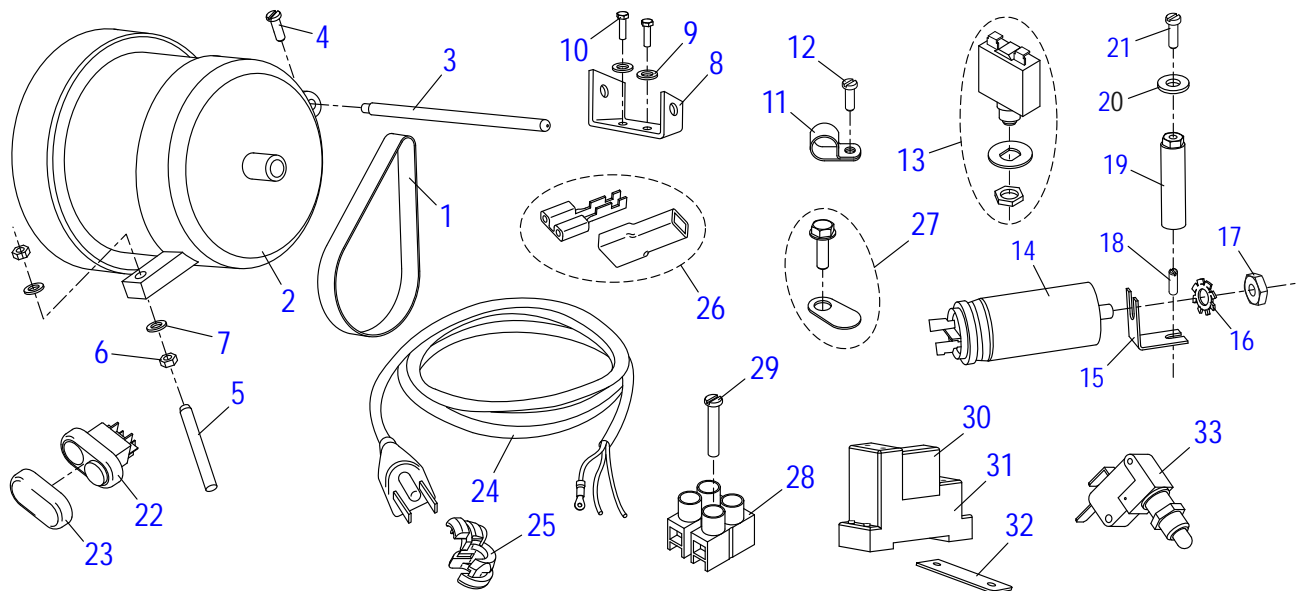
Item	Description	Qty	Part Number	Hardware
1	Chute Slide Assembly (Item 2 - 7)	1	M00272	
2	Chute Slide	1	-	
3	Brass Stud	1	M053	
4	Stud Nut	1	H00192	M8 Hex Nut
5	Bearing Washer	2	H00014	M6 Flat Washer
6	Bearing	1	MCA29	
7	Bearing Screw	1	H00043	M6x25 Hex Head
8	Chute Support	1	M00274	
9	Chute Support Knob	1	M00268	
10	Chute Release Knob	1	M00377	
11	Chute	1	M00276	
12	End Weight Assembly (Item 13 - 15)	1	M00264	
13	End Weight	1	-	
14	End Weight Handle	1	M00257	
15	End Weight Bumper	1	M108	
16	End Weight Rod	1	M00258	

# G10E KNIFE AND SHARPENER COMPONENTS



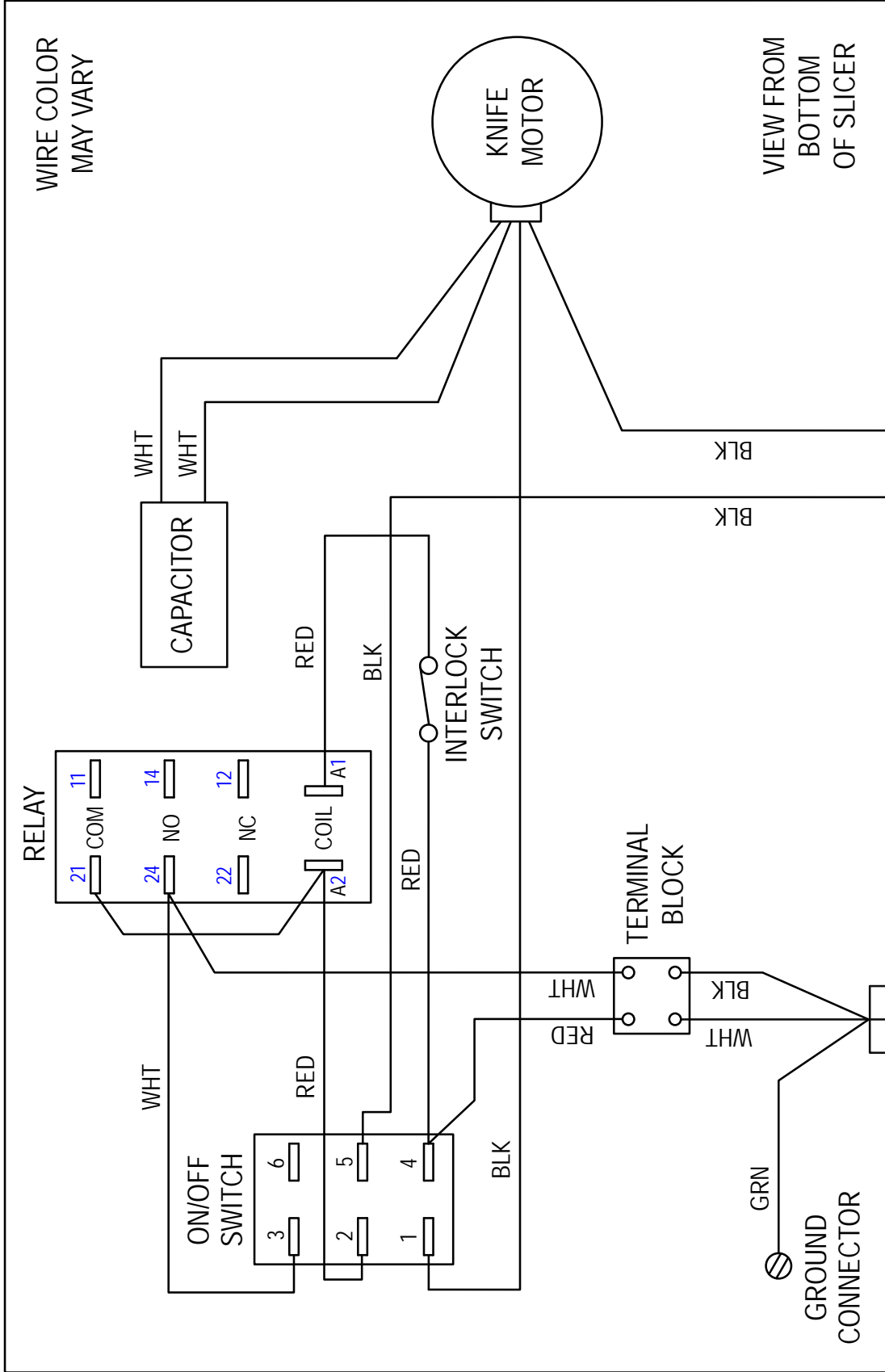
Item	Description	Qty	Part Number	Hardware
1	Knife	1	MCB13	
2	Screw, Knife Mounting	3	H00201	M5x14 Flat Head
3	Knife Cover	1	M00327	
4	Sharpener Frame Assembly	1	M00397	
5	Deburring Stone	1	M092	
6	Sharpening Stone	1	MCC17	
7	Sharpener Cover Screw	2	H00187	M5x16 Cylindrical Head
8	Sharpener Cover	1	M074	
9	Sharpener Cover Knob	1	M075	
10	Flat Washer	1	H00014	M6 Flat Washer
11	Screw, Sharpener Cover Knob	1	H00197	M6x15 Hex Head
12	Sharpener Release Knob	1	M096	
13	Knife Rim Guard	1	MCRB14/1	
14	Insert, Knife Rim Guard	1	M045	
15	Screw, Rim Guard	4	H00435	M4x10 Flat Head
16	V Ring, Knife Seal VA 80	1	M00405	

# G10E ELECTRICAL COMPONENTS



Item	Description	Qty	Part Number	Hardware
1	Drive Belt	1	MCB51	
2	Knife Motor	1	M00348	
3	Post, Motor Pivot	1	M031	
4	Screw	1	H00189	M4x10 Cylindrical Head
5	Set Screw	1	H00347	M6x50 Flat Point
6	Hex Nut	2	H00020	M6 Hex Nut
7	Flat Washer	2	H00014	M6 Flat Washer
8	Motor Mounting Bracket	1	M00355	
9	Motor Mounting Washer	2	H00063	
10	Motor Mounting Screw	2	H00354	
11	Cable Clamp	1	M037	
12	Screw, Clable Clamp	1	H00061	
13	Switch, Motor Reset	1	M038	
14	Capacitor, 16 $\mu$ f	1	M039	
15	Bracket, Capacitor Mounting	1	-	
16	Lock Washer	1	H00335	M8 External Tooth Lock Washer
17	Hex Nut	1	H00192	M8 Hex Nut
18	Threaded Stud	1	H00188	
19	Standoff, Cover Spacer	1	M00359	
20	Cover Washer	1	H00014	M6 Flat Washer
21	Cover Mounting Screw	1	H00061	M5x10 Cylindrical Head
22	Power Switch	1	MCR69	
23	Cover, Power Switch	1	MCR59	
24	Power Cord & Plug	1	M110	
25	Strain Relief	1	M111	
26	Terminal & Insulator Set	15	M00233	
27	Ground Screw/Marking Tab Set	1	M00334	
28	Terminal Block	1	MB80/2	
29	Terminal Block Mounting Screw	1	H00203	M4x20 Cylindrical Head
30	Relay	1	MCR75	
31	Relay Socket	1	MCR76	
32	Relay Mounting Plate	1	M00360	
33	Hub Assembly Microswitch	1	M026	

# WIRING DIAGRAM - 115V, 50/60/Hz, 1 PH



G10E Slicer

