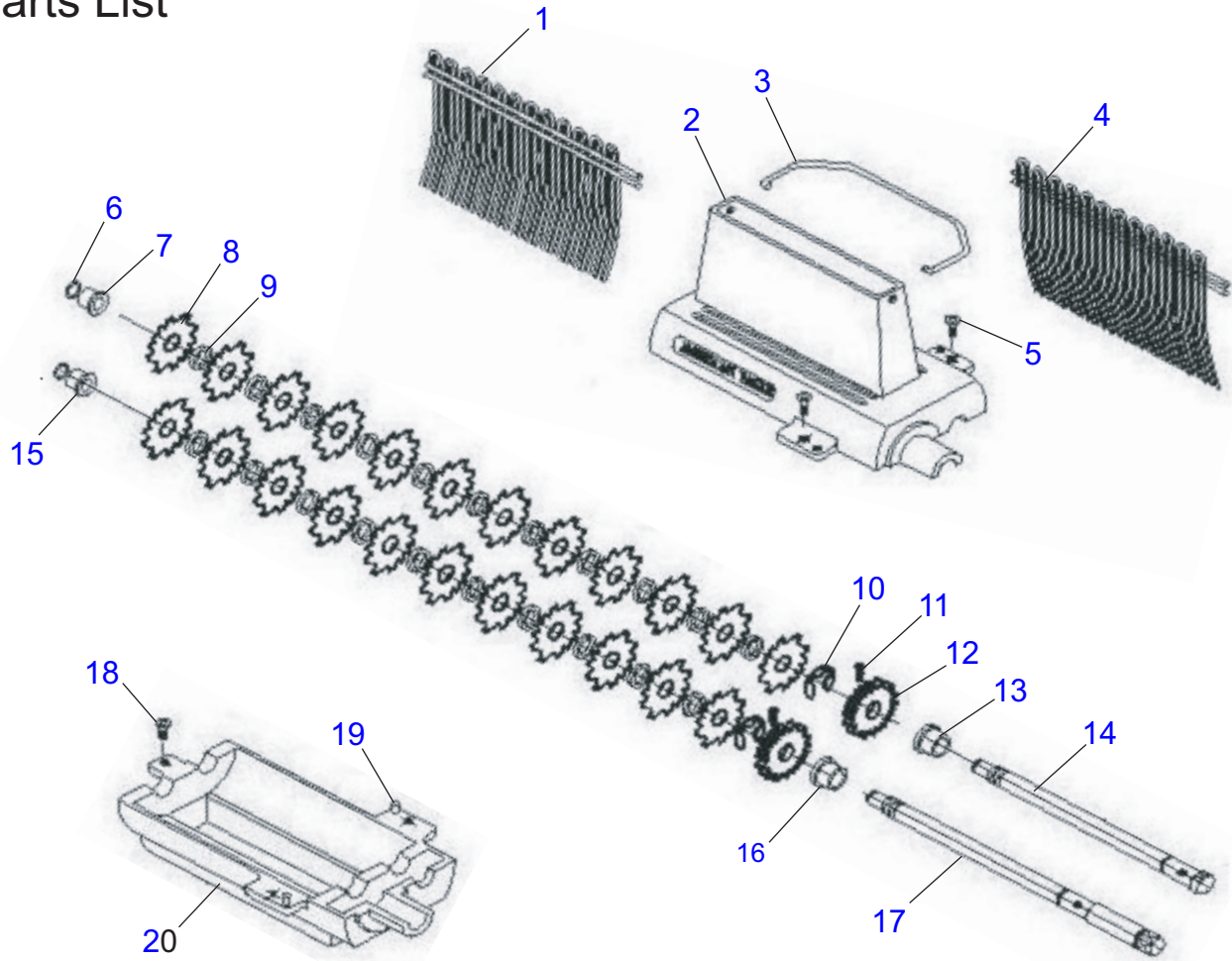


CT12 Meat Tenderizer

Parts List



Item	Description	Part Number	Qty
1	Stripper Combs (A)	CTP-01	1
2	Upper Chamber	CTP-02	1
3	S. Handle	CTP-03	1
4	Stripper Combs (A)	CTP-04	1
5	Tight Knob	CTP-05	3
6	C- Type Snap Ring	CTP-06	1
7	Shaft Protector (A)	CTP-07	1
8	Knives	CTP-08	67
9	Spacers	CTP-09	67
10	Butterfly Snap Ring	CTP-10	2
11	Pin	CTP-11	2
12	Gear	CTP-12	2
13	Shaft Protector (B)	CTP-13	1
14	Shaft	CTP-14	1
15	Shaft Protector (C)	CTP-15	1
16	Shaft Protector (D)	CTP-16	1
17	Shaft	CTP-17	1
18	Tight Knob	CTP-18	1
19	Pin	CTP-19	1
20	Bottom Chamber	CTP-20	1