

Parts Catalog

Commercial Pro



Model CPG24

ELECTRIC COUNTERTOP GRIDDLES

MODELS:
CPG24 & CPG36

09-15-2010

IMPORTANT!

TO EXPEDITE SHIPMENT OF PARTS, ALWAYS SPECIFY MODEL, REV,
PART NUMBER, AND SERIAL NUMBER OF SLICER.

GLOBE FOOD EQUIPMENT COMPANY

2215 East River Road

Dayton, Ohio 45439

Parts Department

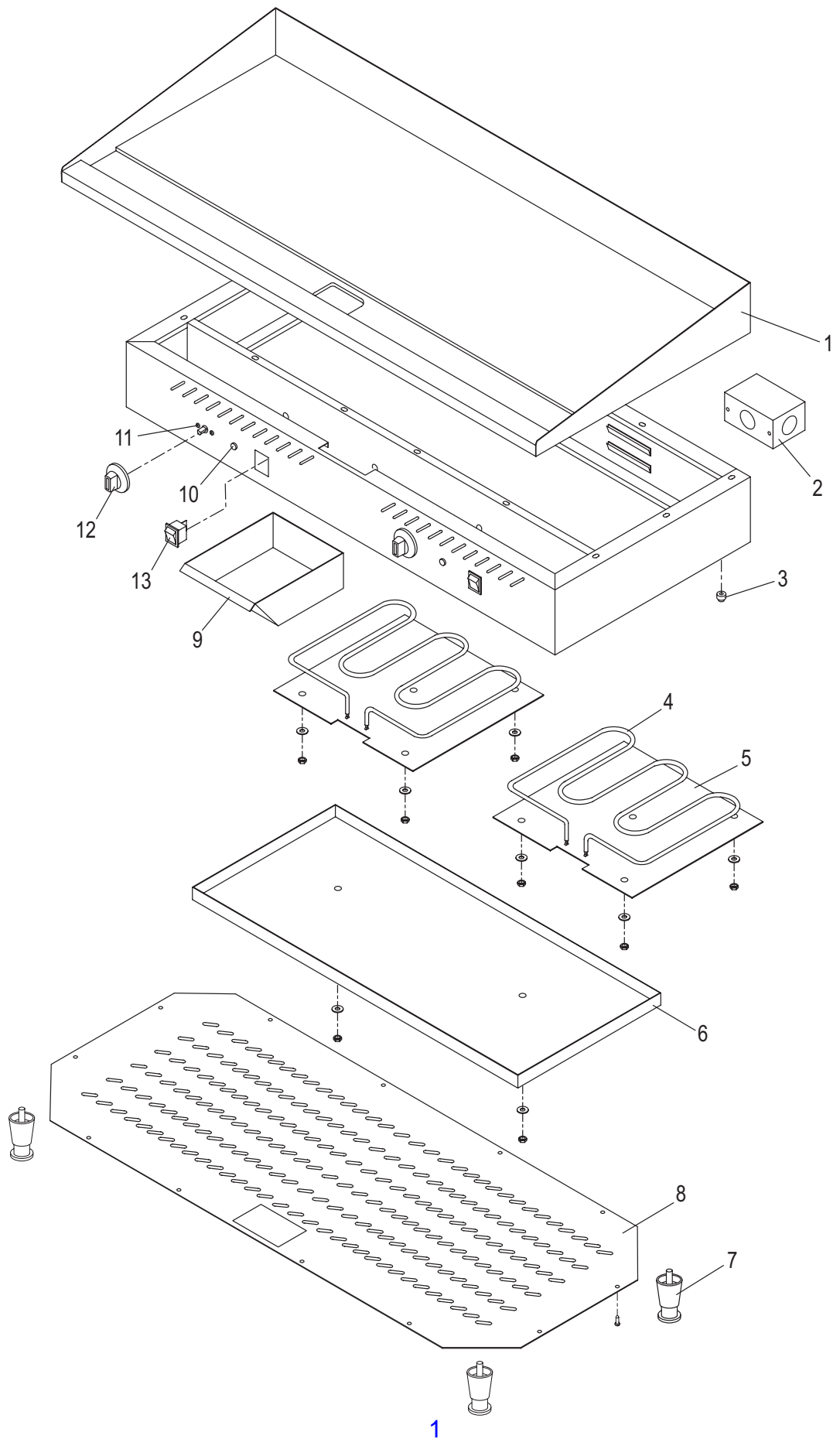
Toll Free 1-800-745-6238 · Fax (937) 290-0585

E-Mail: globeinfo@globeslicers.com

Website: www.globeslicers.com

Not for resale

CPG24 & CPG36 ELECTRIC GRIDDLE COMPONENTS



CPG24 & CPG36 PARTS LIST

Item	Description	Part Numbers		Qty
		CPG24	CPG36	
1	Griddle Plate	-	-	1
2	Connection Box	U01021005131		1
3	Insulator (Ceramic Tube)	U99.99.1999001		4
4	Heating Element	U03061225067	U03061225070	2
5	Element Fixing Plate	-	-	2
6	Clamp	-	-	1
7	Foot	U01021005002		1
8	Base Plate	-	-	1
9	Drip Tray	U01051025574		1
10	Indicator Light	U03091240006		2
11	Thermostat	U03051220007	U03051220007	2
12	Knob	U02101155013		2
13	On/Off Rocker Switch	U03041215027		2

WIRING DIAGRAM, CPG24/CPG36

