

# Parts Catalog



CC22

## MEAT CHOPPERS

MODELS: CC12 & CC22

09-10-07

IMPORTANT!

TO EXPEDITE SHIPMENT OF PARTS, ALWAYS SPECIFY MODEL, REV,  
PART NUMBER, AND SERIAL NUMBER OF CHOPPER.

### GLOBE FOOD EQUIPMENT COMPANY

P.O. Box 3209  
Dayton, Ohio 45401

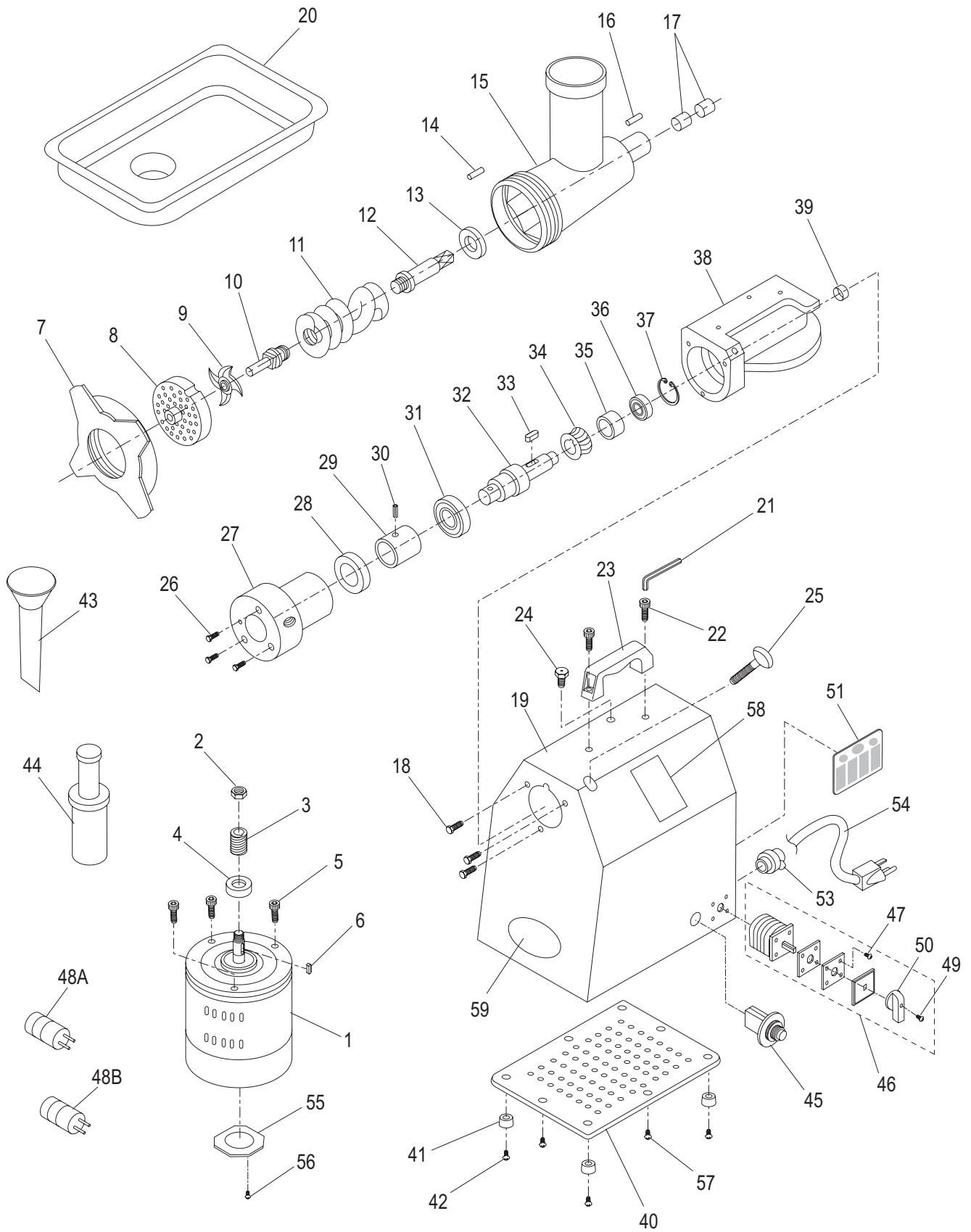
#### Parts Department

Toll Free 1-800-745-6238 · Fax (937) 290-0585

E-Mail: [globeinfo@globeslicers.com](mailto:globeinfo@globeslicers.com)

Website: [www.globeslicers.com](http://www.globeslicers.com)

Not for resale



Item	Description	Qty	CC12	CC22
1	Motor	1	CC1201	CC2218A
2	Nut, Motor Gear	1	CC1202	
3	Gear, Motor Drive	1	CC1203	CC2216
4	Seal, Oil, Motor	1	CC1204	
5	Screw, Motor Mounting	3	CC1205	CC2254
6	Key, Motor	1	CC1206	
7	Plate Retainer	1	CC1207	CC2205
8	Chopper Plate	1	CP XX-12**	CP XX-22**
9	Chopper Knife	1	CK-12**	CK-22**
10	Knife Lock	1	CC1210	CC2208
11	Shaft, Propeller Screw	1	CC1211	CC2209
12	Shaft, Propeller Drive	1	CC1212	
13	Washer, Teflon	1	CC1213	
14	Pin, Chopper Plate Lock	1	CC1214	
15	Housing, Chopper	1	CC1215	CC2204
16	Pin, Chopper Housing Lock	1	CC1216	
17	Bushing, Chopper Housing	2	CC1217	
18	Screw, Gear Box Mounting	3	CC1218	
19	Housing, Drive	1	CC1219	CC2211B
20	Food Tray	1	CC1220	CC2201
21	Wrench, Hex	1	CC1221	
22	Screw, Handle Mounting	2	CC1222	
23	Handle	1	CC1223	CC2249
24	Oil Plug	1	CC1224	
25	Thumb Screw	1	CC1225	CC2227
26	Screw, Attachment Hub Mounting	3	CC1226	
27	Attachment Hub	1	CC1227	
28	Seal, Oil, Attachment Hub	1	CC1228	
29	Shaft, Attachment Hub Drive	1	CC1229	
30	Pin, Spring, Attachment Hub	1	CC1230	
31	Bearing, Attachment Hub, Front	1	CC1231	
32	Shaft, Attachment Hub Worm	1	CC1232	CC2214
33	Key, Attachment Hub Worm Shaft	1	CC1233	
34	Gear, Attachment Hub Worm	1	CC1234	CC2215
35	Spacer, Bearing	1	CC1235	CC2217
36	Bearing, Attachment Hub, Rear	1	CC1236	
37	Ring, Retaining, Attachment Hub Worm Shaft	1	CC1237	
38	Gear Box	1	CC1238	CC2211A
39	Cover	1	CC1239	
40	Bottom Enclosure	1	CC1240	CC2247
41	Foot, Rubber	4	CC1241	
42	Screw, Rubber Foot/Enclosure	4	CC1242	
43	Stuffing Tube	1	CC1243	CC2237
44	Food Pusher	1	CC1244	
45	Switch, Reset	1	CC1245	
46	Switch Forward/Reverse	1	CC1246	
47	Screws, Switch Mounting	4	CC1247	
48A	Capacitor, Start (300uF)	1	CC1248A	
48B	Capacitor, Run (40uF) CC12	1	CC1248B	
48B	Capacitor, Run (55uF) CC22	1		CC2248B
49	Screw, Switch Mounting	1	CC1247	
50	Knob, Switch	1	CC1250	
51	Data Plate	1	CC1251	CC2226
53	Strain Relief	1	CC1253	
54	Power Cord	1	CC1254	
55	Plate, Centrifugal Switch	1	CC1255	CC2265
56	Screw, Plate Mounting	2	CC1256	
57	Screw, Rubber Foot/Enclosure CC22	4	N/A	CC1242
58	Label, Warning	1	CC9100	
59	Chefmate Logo	1	83	

\*\* Available through New Equipment Sales (XX = Plate Size)

