

Parts Catalog



C36CB-SR

Gas Cooking Equipment Charbroiler

Model: C36CB-SR

8/07/23 Rev. A

IMPORTANT!

TO EXPEDITE SHIPMENT OF PARTS, ALWAYS SPECIFY MODEL, REV,
PART NUMBER, AND SERIAL NUMBER OF UNIT.

GLOBE FOOD EQUIPMENT COMPANY

2215 East River Road
Dayton, Ohio 45439

Parts Department

Toll Free 1-800-745-6238 · Fax (937) 290-0585

E-Mail: info@globefoodequip.com

Website: www.globefoodequip.com

Not for resale

Table of Contents

Description

Page

C36CB-SR Charbroiler Components

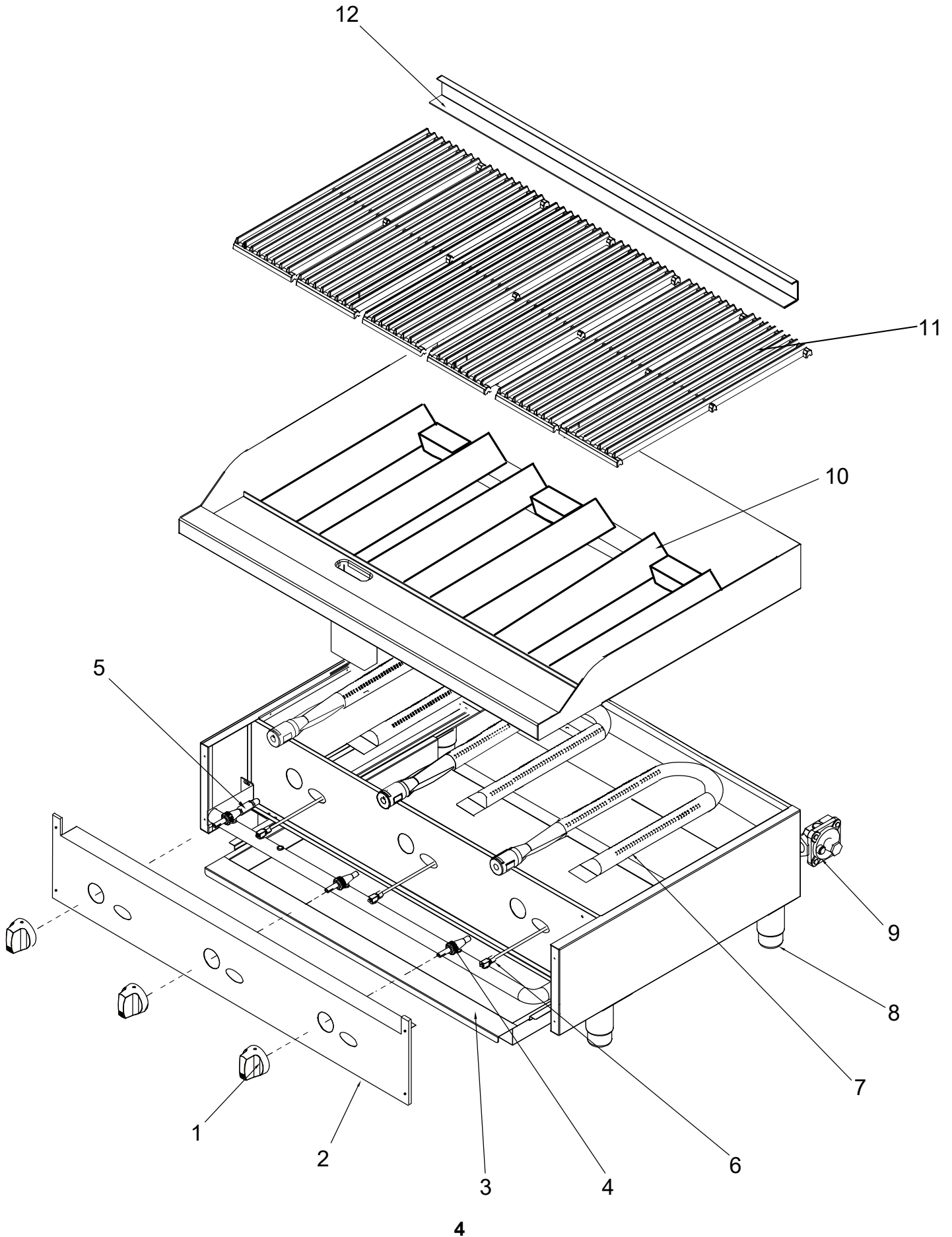
4

C36CB-SR Gas Orifice Elevation Chart

6



C36CB-SR Charbroiler Components





C36CB-SR Charbroiler Components

Item	Part Number	Description	Qty	Serial Number
1	K00410	Control Knob	3	
2	K00423	Front Panel	1	
3	K00427	Drip Pan	1	
4	K00407	Manual Gas Valve (A18)	3	
5	K00411	Hood Orifice #39	3	See Table 1. Gas Orifice Elevation
5	K00412	Hood Orifice #50	3	See Table 1. Gas Orifice Elevation
5	K00420	Hood Orifice #36	3	See Table 1. Gas Orifice Elevation
5	K00421	Hood Orifice #49	3	See Table 1. Gas Orifice Elevation
5	K00627	Hood Orifice #38	3	See Table 1. Gas Orifice Elevation
5	K00630	Hood Orifice #40	3	See Table 1. Gas Orifice Elevation
5	K00631	Hood Orifice #51	3	See Table 1. Gas Orifice Elevation
6	K00408	Pilot Valve (AP7)	3	
7	K00418	"U" Shaped Burner	3	
8	K00409	Leg (4")	4	
9	K00406	Regulator	1	
10	K00419	Stainless Steel Radiant	6	
11	K00417	Grate	6	
12	K00425	Bracket	1	



C36CB-SR Gas Orifice Elevation Chart

Model	Rated Input Per Burner (BTU/HR)	Elevation		Elevation	
		Nat	LP	Nat	LP
		0-2000 ft		2000 - 4000 ft	
		Nat	LP	Nat	LP
Char Broiler	40000	K00420 (#36)	K00421 (#49)	K00627 (#38)	K00421 (#49)
		Elevation		Elevation	
		4000 - 6000 ft		6000 - 8000 ft	
		Nat	LP	Nat	LP
Char Broiler	40000	K00411 (# 39)	K00412 (#50)	K00411 (#39)	K00412 (#50)
		Elevation		Elevation	
		8000 - 10000 ft			
		Nat	LP		
Char Broiler	40000	K00630 (#40)	K00631 (#51)		