

# Parts Catalog



**3975NF**

## **Slicing Machine Frozen Automatic**

**Model: 3975NF**

08/28/2017 Rev. -

IMPORTANT!

TO EXPEDITE SHIPMENT OF PARTS, ALWAYS SPECIFY MODEL, REV,  
PART NUMBER, AND SERIAL NUMBER OF UNIT.

### **GLOBE FOOD EQUIPMENT COMPANY**

2215 East River Road  
Dayton, Ohio 45439

#### **Parts Department**

Toll Free 1-800-745-6238 · Fax (937) 290-0585

E-Mail: [info@globefoodequip.com](mailto:info@globefoodequip.com)

Website: [www.globefoodequip.com](http://www.globefoodequip.com)

Not for resale



# Table of Contents

Description	Page
3975NF Slicer Base Components	4
3975NF Base Shroud and Components	6
3975NF Slicer Knife Rim Guard Components	8
3975NF Knife and Knife Cover Components	10
3975NF Knife Sharpener Assembly Components	12
3975NF Carriage Assembly and End Weight Components	14
3975NF Knife Motor Bearing Assembly Components	16
3975NF Knife Motor Components	18
3975NF Slicer Gauge Plate Components	20
3975NF Gauge Plate Adjustment Components	22
3975NF Carriage Slide System Components	24
3975NF Carriage Drive Components	26
3975NF Carriage Drive Motor	28
3975NF Base Apron & Lift Lever Assy	30
3975NF Electrical System Components	32
3975NF Carriage Fence Accessories	34
3975NF Vegetable Hopper Assembly	36
3975NF Automatic Slicer Schematic	38



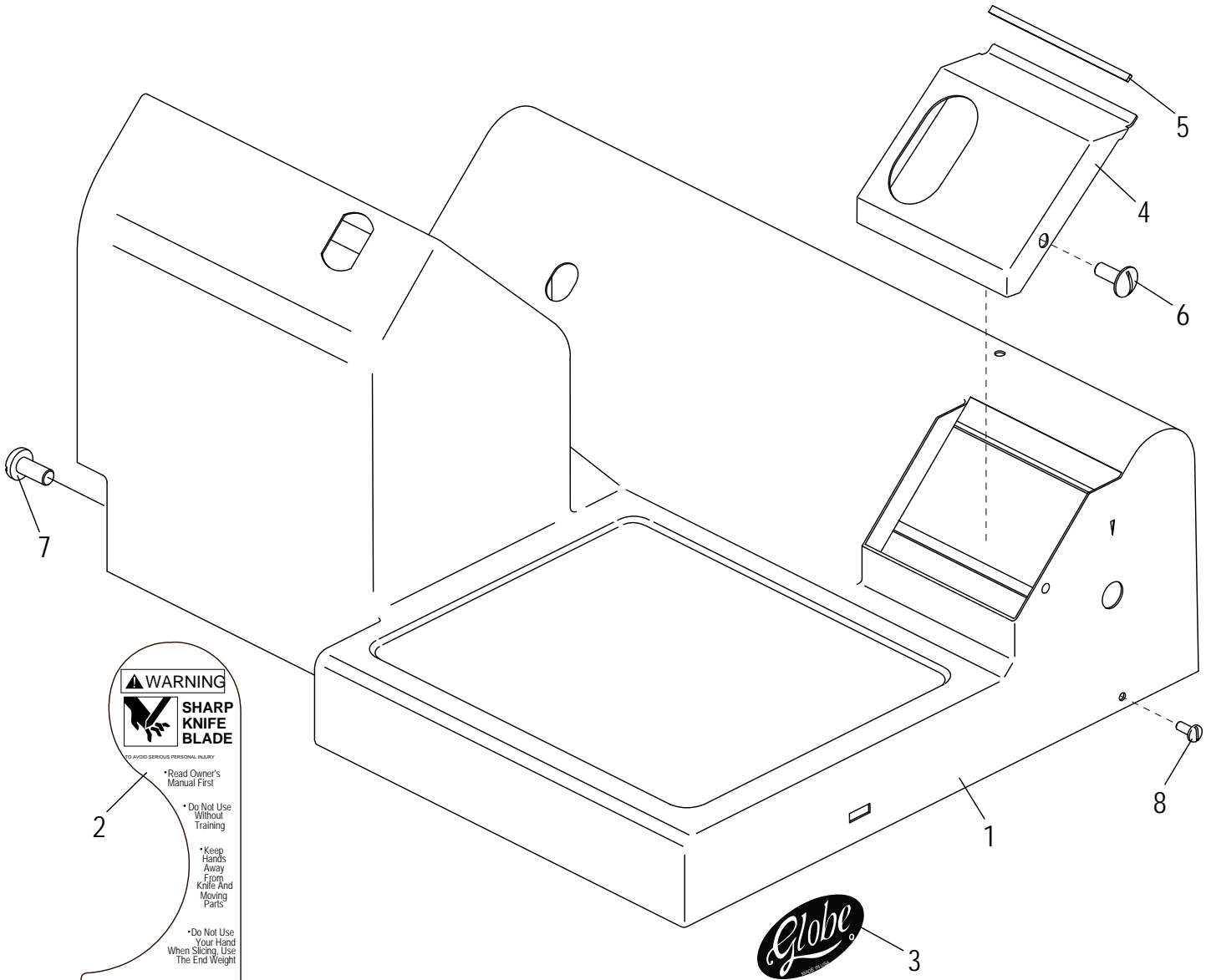


## 3975NF Slicer Base Components

Item	Part Number	Description	Qty	Serial Number
1	460040	Base, Automatic	1	
2	817-S	Slicer Foot	4	
3	1148	Motor Screen	1	
4	1255	Motor Screen Brace	2	
5	1227	Screw, Shroud	4	
6	550002	Split Bushing	3	
7	1091	Dowel Pin	2	
8	1208	Hole Plug	1	
9	975-1	Screw, Gauge Plate Slide Rod	1	
10	070051	Gear Housing Assembly (Incls. items 11-18)	1	
11		Vent Plug (Included with Gear Housing)	1	
12	890082	Drain Plug	1	
13	700-3	Set Screw	1	
14	840001	O-Ring	1	
15	520100	Oil Drain Chute	1	
16	810305	Mach. Screw 10-32x1/4	1	
17	763-4A	Flat Washer	4	
18	369-1	Hex Bolt	4	
19	920000	Gearbox Oil, 6.5 oz. Bottle (Not Shown)	1	



# 3975NF Base Shroud and Components



**WARNING**

**SHARP KNIFE BLADE**

TO AVOID SERIOUS PERSONAL INJURY

- \*Read Owner's Manual First
- \*Do Not Use Without Training
- \*Keep Hands Away From Knife And Moving Parts
- \*Do Not Use Your Hand When Slicing. Use The End Weight

\* Close The Slicer Table After Each Use

\* Turn Off And Unplug Before Cleaning Or Servicing

\* Thoroughly Clean And Sanitize Entire Unit



## 3975NF Base Shroud and Components

---

Item	Part Number	Description	Qty	Serial Number
1	<a href="#">330124-03</a>	Base Shroud, Automatic (Not shown)	1	
2	<a href="#">910242</a>	Warning Label, English	1	
2A	<a href="#">910243-01</a>	Warning Label, French (CSA Units) (Not shown)	1	
2A	<a href="#">910243-02</a>	Warning Label, Spanish (Option) (Not shown)	1	
3	<a href="#">871-2</a>	Globe Logo Decal 3.5"	1	
4	320071	Cover, Gauge Plate Mechanism	1	
5	<a href="#">530017</a>	Gasket, Gauge Plate Mechanism Cover	1	
6	<a href="#">900-1</a>	Screw, Truss Hd	1	
7	<a href="#">762-6</a>	Mach. Screw 1/4-20 x .50	2	
8	<a href="#">1227</a>	Screw, Shroud	1	



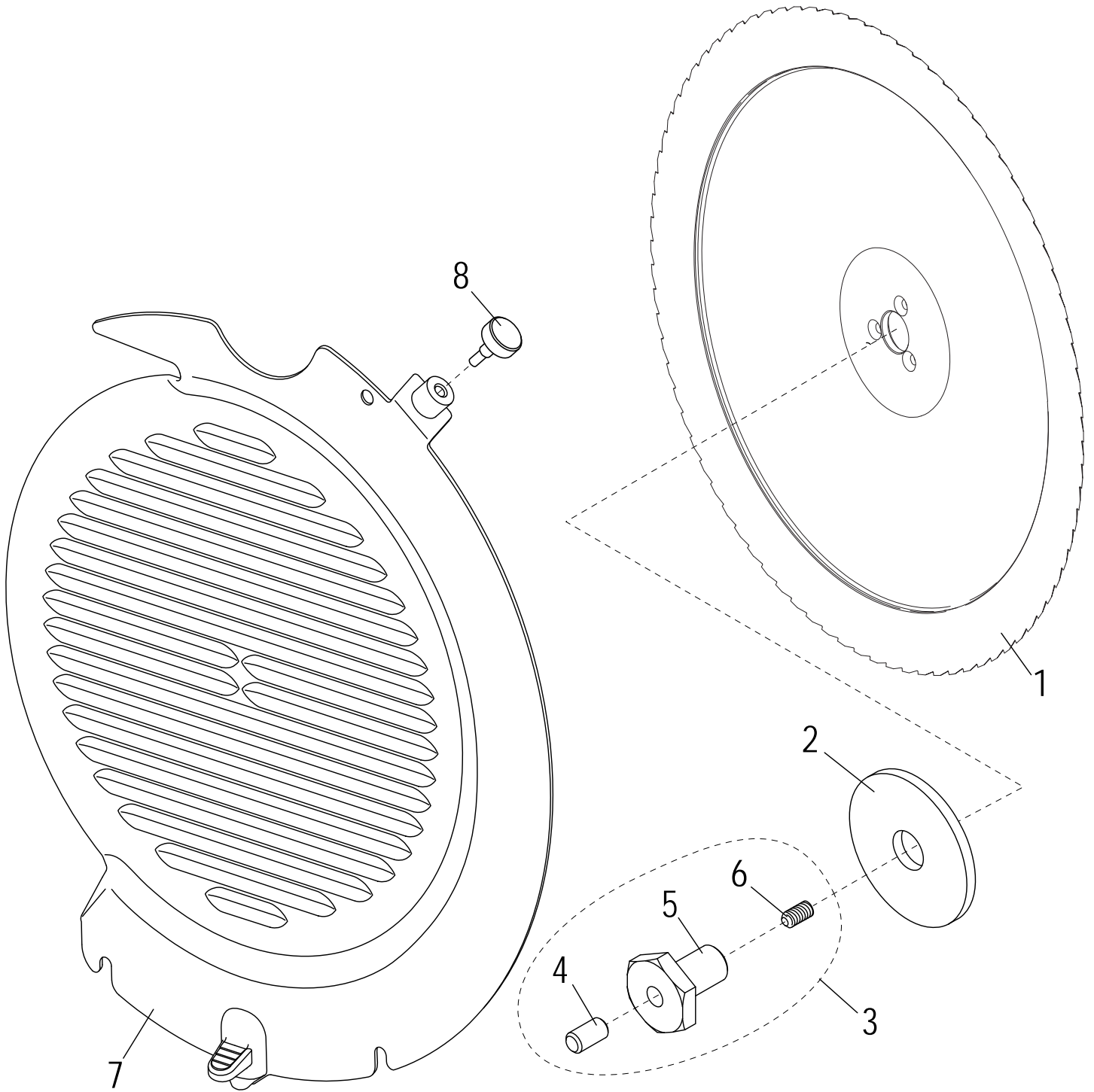


## 3975NF Slicer Knife Rim Guard Components

Item	Part Number	Description	Qty	Serial Number
1	<a href="#">520250</a>	Knife Rim Guard Assembly (Incls. items 2-3)	1	
2	<a href="#">810382</a>	Set Screw	1	
3	<a href="#">460036</a>	Locator Pin	2	
4	<a href="#">520220</a>	Mounting Boot	2	
5	<a href="#">825-2</a>	Flat Washer	1	
6	<a href="#">1217</a>	Screw, Button Head	1	
7	<a href="#">825-2</a>	Flat Washer	4	
8	<a href="#">1217</a>	Screw, Button Head	1	
9	<a href="#">520221</a>	Sharpener Bracket Foot	1	
10	<a href="#">520261</a>	Rim Guard/Sharpener Mounting Bracket (Incls. item 11)	1	
11	<a href="#">520330</a>	Sharpener Release Knob	1	
12	<a href="#">890460</a>	Screw, Hex Head	2	
13	<a href="#">520219</a>	Product Retainer	1	
14	<a href="#">890470</a>	Screw, Hex Head	1	



# 3975NF Knife and Knife Cover Components

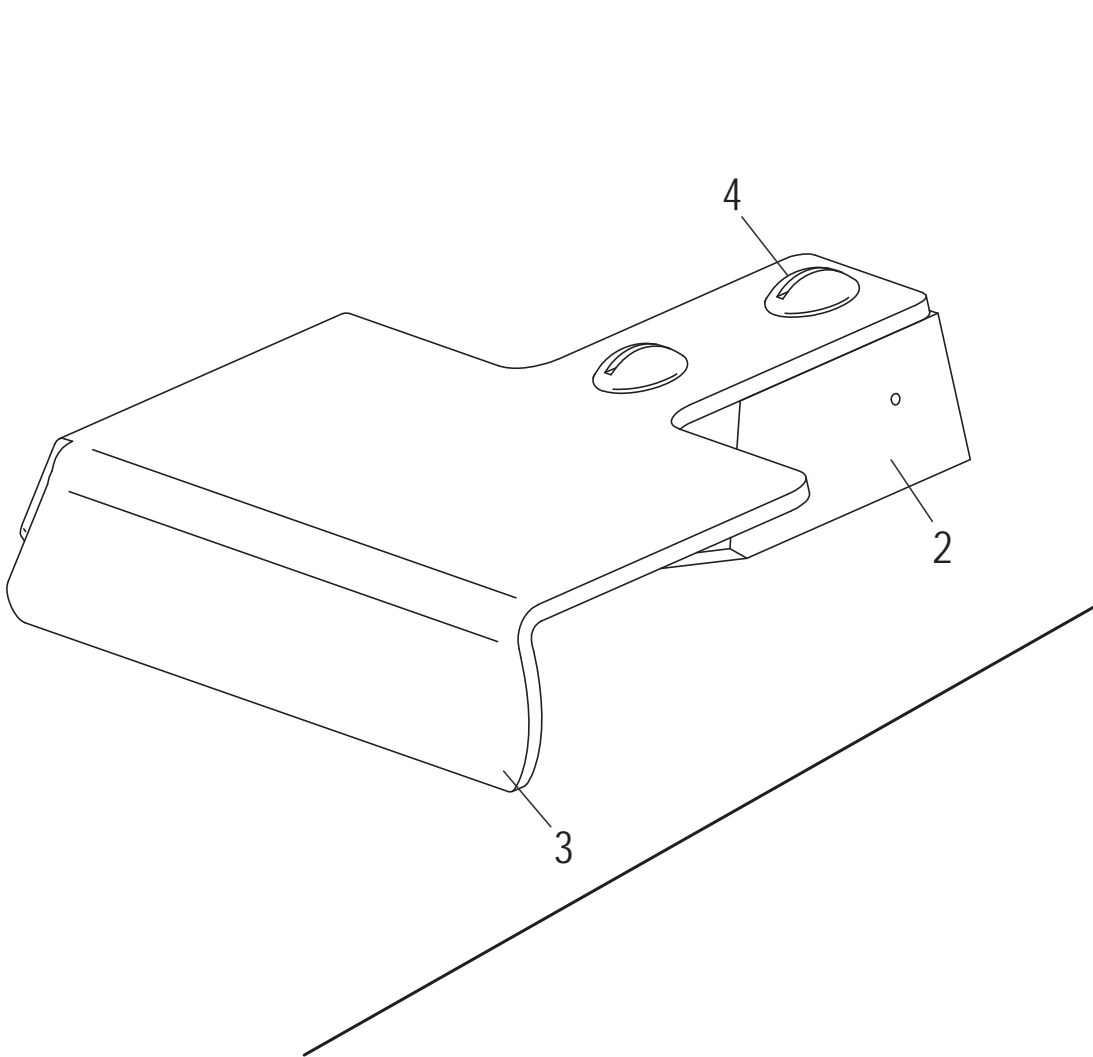




## 3975NF Knife and Knife Cover Components

---

Item	Part Number	Description	Qty	Serial Number
1	460028	Serrated Knife, Carbon Steel	1	
2	1092	Flat Washer	1	
3	800001	Knife Bolt Assembly (Incls. items 4-6)	1	
4	1193	Plug	1	
5	1093	Bolt	1	
6	1194	Set Screw	1	
7	330205-01	Knife Cover Assembly, Standard (Includes 460045)	1	
7	330205-02	Knife Cover Assembly, Security	1	
7	330205-03	Knife Cover Assembly, Quick Clean (Includes 460045)	1	
8	460045	Knife Cover Release Knob	1	



Item 1  
Sharpener Inlay

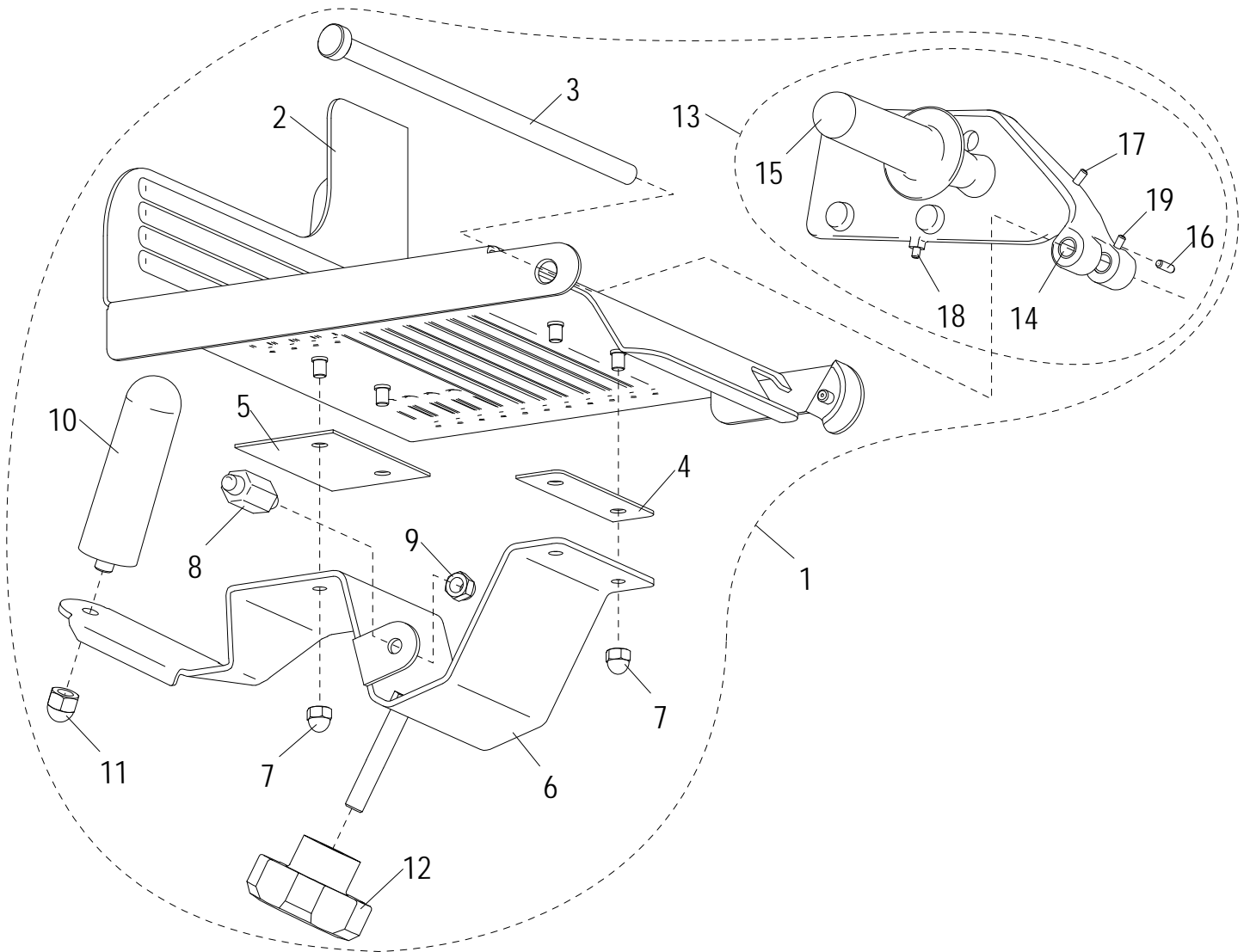


## 3975NF Knife Sharpener Assembly Components

Item	Part Number	Description	Qty	Serial Number
1	<a href="#">340033</a>	Sharpener Inlay, Standard (Incls. items 2-4)	1	
2	<a href="#">340032</a>	Inlay Mounting Block	1	
3	<a href="#">460053</a>	Inlay, Knife Cover	1	
4	<a href="#">762-6</a>	Mach. Screw 1/4-20 x .50	1	



# 3975NF Carriage Assembly and End Weight Components



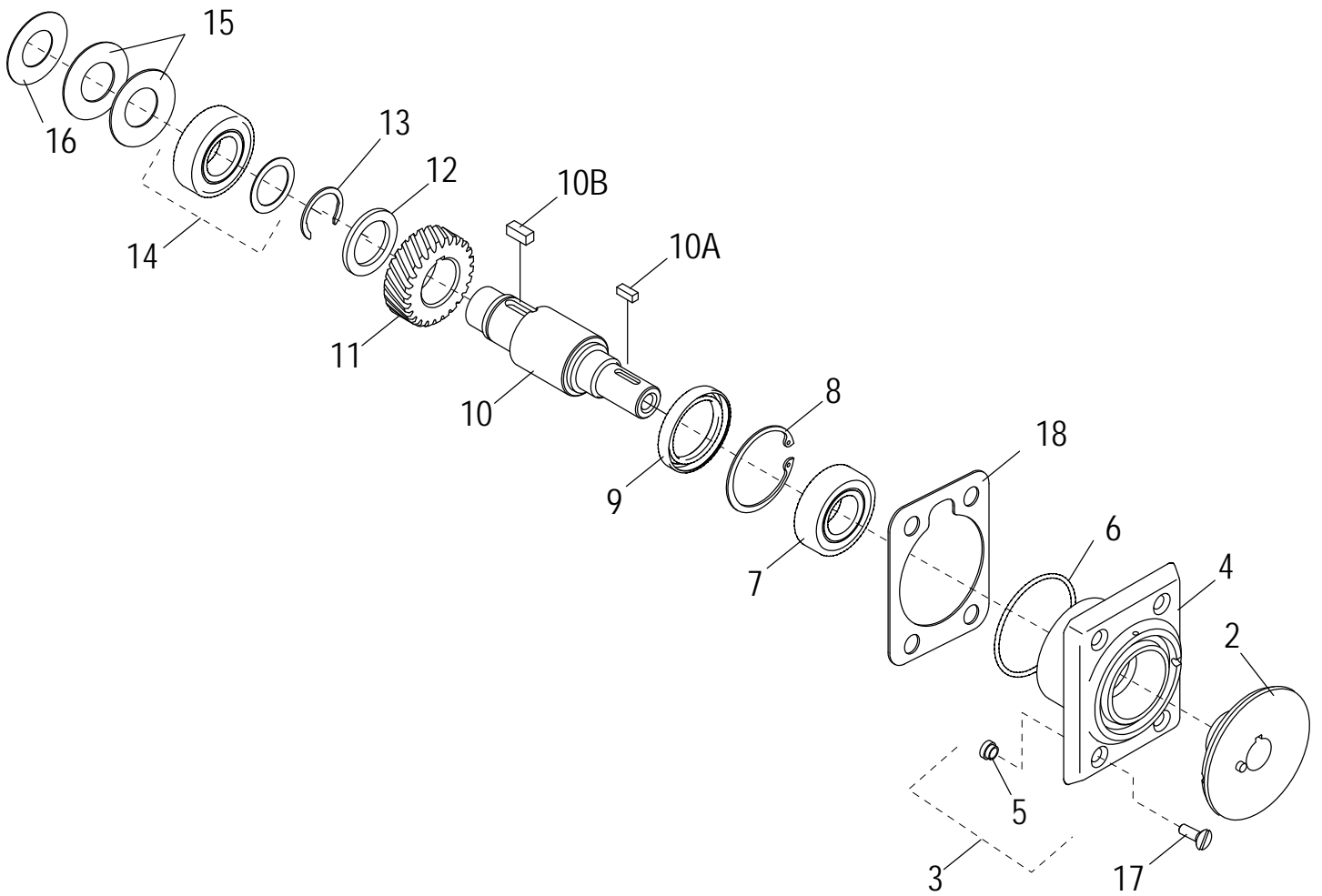


## 3975NF Carriage Assembly and End Weight Components

Item	Part Number	Description	Qty	Serial Number
1	330011-02	SS Carriage Assembly, Short - 12" (Incls. items 2-19)	1	
1	330012-03	SS Carriage Assembly, Medium - 14.5"	1	
2	330115-02	SS Carriage Weldment, Short - 12"	1	
2	330116	SS Carriage Weldment, Medium - 14.5"	1	
3	450025-02	End Weight Rod, Short 12" Carriage Assy	1	
3	450026	End Weight Rod, Medium 14.5" Carriage Assy	1	
4	510028	Rear Gasket, Carriage Support	1	
5	510027	Front Gasket, Carriage Support	1	
6	330055	Carriage Support	1	
7	962-6	Acorn Nut, 1/4-20	4	
8	460050	Lock Back Stud	1	
9	962-7	Acorn Nut, 5/16-18	1	
10	482-B	Hopper Handle	1	
11	699-32	Acorn Nut	1	
12	520312	Carriage Release Knob	1	
13	460047-01	End Weight Assembly, Low Stop (Incls. items 14-19)	1	->3850NF00100
13	460047-03	End Weight Assembly, Raised Stop (Incls. items 14-19)	1	3850NF00100 ->
14	741-6	Endweight Bearing	2	
15	510012	Endweight Handle	1	
16	741-4A	Side Endweight Bumper, Nylon	1	->3850NF00100
16	810396	Side Endweight Bumper, SS	1	3850NF00100 ->
17	741-5A	Endweight Bumper, Upper	1	
18	741-5B	Endweight Bumper, Lower	1	
19	810397	End Weight Bumper Glide Pin	1	3850NF00100 ->



# 3975NF Knife Motor Bearing Assembly Components



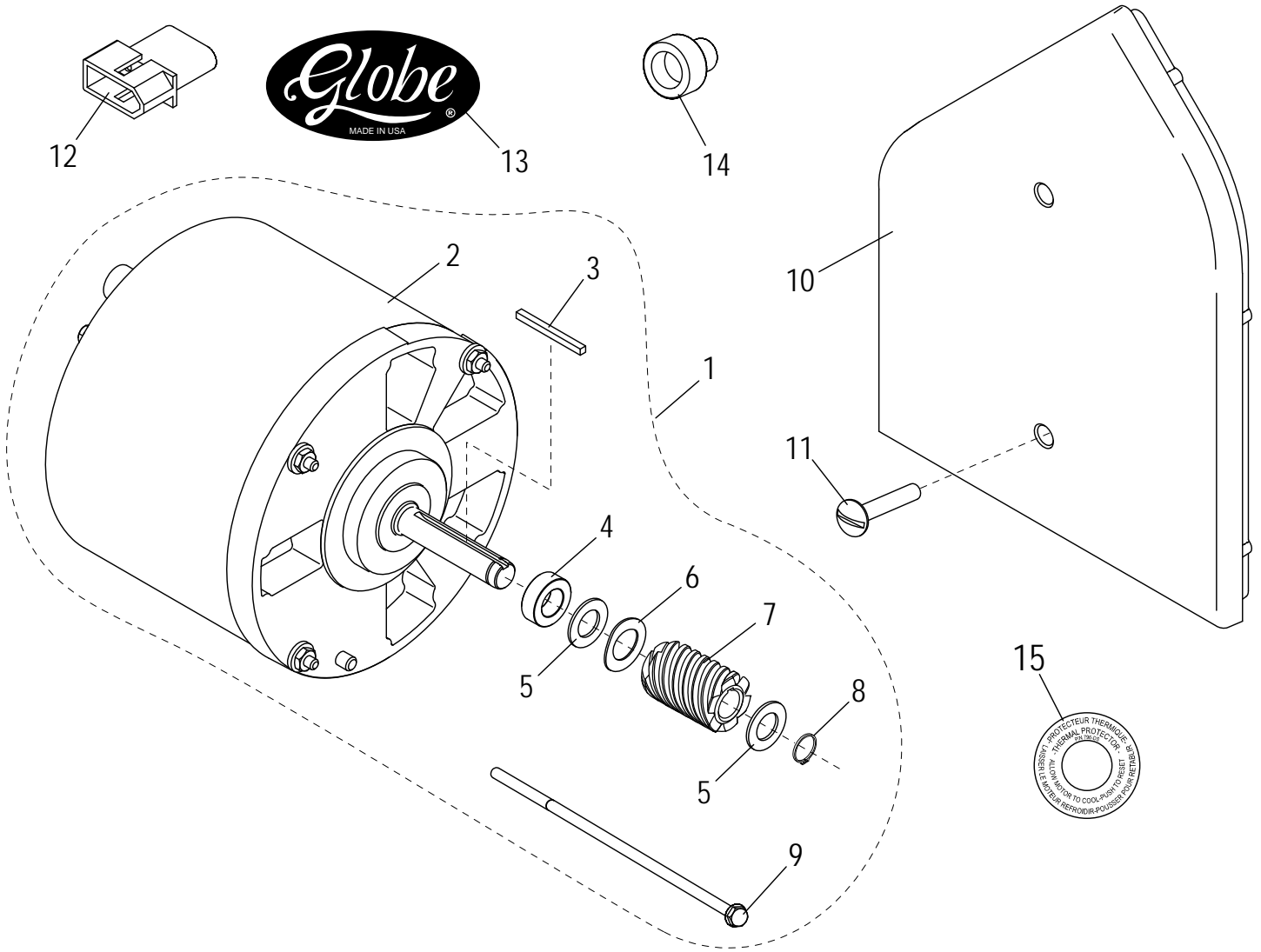


## 3975NF Knife Motor Bearing Assembly Components

Item	Part Number	Description	Qty	Serial Number
1	070065	Knife Bearing Assembly (Incls. items 2-18)	1	
2	070064	Knife Locating Hub Assembly	1	
3	070050	Upper Bearing Retainer Assembly	1	
4	230010	Upper Bearing Retainer	1	
5	1237	Standoff	4	
6	840020	O-Ring	1	
7	820045	Bearing, Sealed	1	
8	1088	Retaining Ring	1	
9	840010	Shaft Seal	1	
10	420080	Knife Shaft	1	
10A	1106	Key	1	
10B	1086	Key	1	
11	410030	Gear, Bronze	1	
12	1083	Spacer	1	
13	1087	Retaining Ring	1	
14	800000	Bearing and spacer	1	
15	830010	Bowed Washer (Convex sides of washers touch)	2	
16	820042	Thrust Washer	1	
17	890405	Screw, Flat Head	4	
18	1241	Retainer, Shroud Gasket	1	



# 3975NF Knife Motor Components



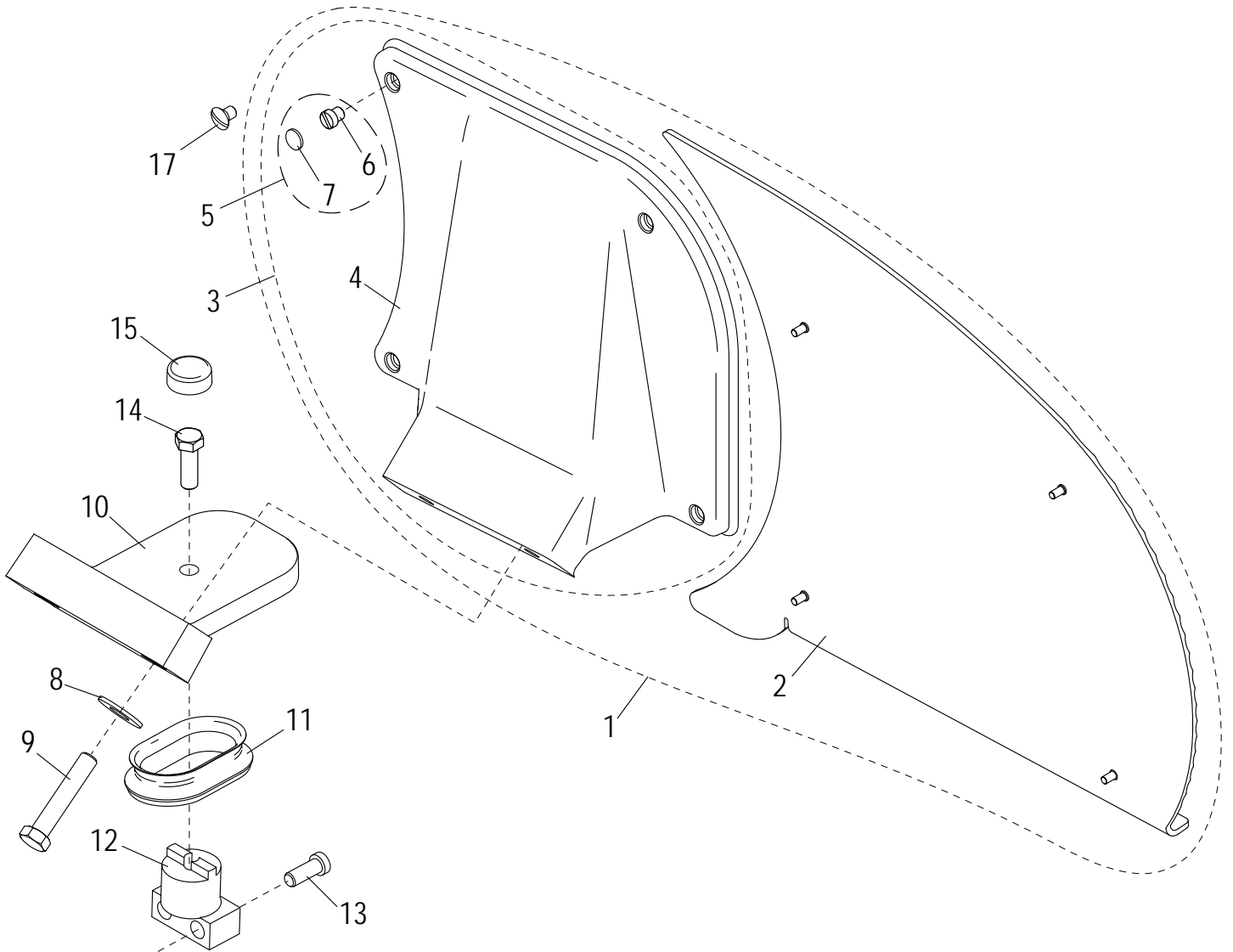


## 3975NF Knife Motor Components

Item	Part Number	Description	Qty	Serial Number
1	<a href="#">110040</a>	Knife Motor/Gear Assembly, 115VAC / 60HZ / 1PH (Incls. items 2-9)	1	
1	<a href="#">110041</a>	Knife Motor/Gear Assembly, 115VAC/60HZ/1PH w/Reset <small>For units w/Motor Reset option</small>	1	
1	<a href="#">110042</a>	Knife Motor/Gear Assembly, 220VAC / 60HZ / 1PH	1	
2	110100	Knife Motor, 115VAC / 60HZ / 1PH	1	
2	110101	Knife Motor, 115VAC/60HZ/1PH w/Reset <small>For units w/Motor Reset option</small>	1	
2	<a href="#">110220</a>	Knife Motor, 220VAC / 60HZ / 1PH	1	
3	<a href="#">1372</a>	Key, Square	1	
4	<a href="#">460025</a>	Spacer	1	
5	<a href="#">870070</a>	Flat Washer	2	
6	<a href="#">810</a>	Bowed Washer	1	
7	<a href="#">1059</a>	Worm Gear	1	
8	<a href="#">880051</a>	Snap Ring	1	
9	810330	Motor Screw	4	
10	<a href="#">520010</a>	Motor Cover	1	
10	<a href="#">520011</a>	Motor Cover w/Reset Button Hole <small>For units w/Motor Reset option</small>	1	
11	<a href="#">810300</a>	Cover Screw	2	
12	<a href="#">1257</a>	Wire Connector	1	
13	<a href="#">871-2</a>	Globe Logo Decal 3.5"	1	
14	<a href="#">530015</a>	Motor Reset Button Extension <small>For units w/Motor Reset option</small>	1	
15	<a href="#">796-DS</a>	Motor Reset Button Label <small>For units w/Motor Reset option</small>	1	



# 3975NF Slicer Gauge Plate Components



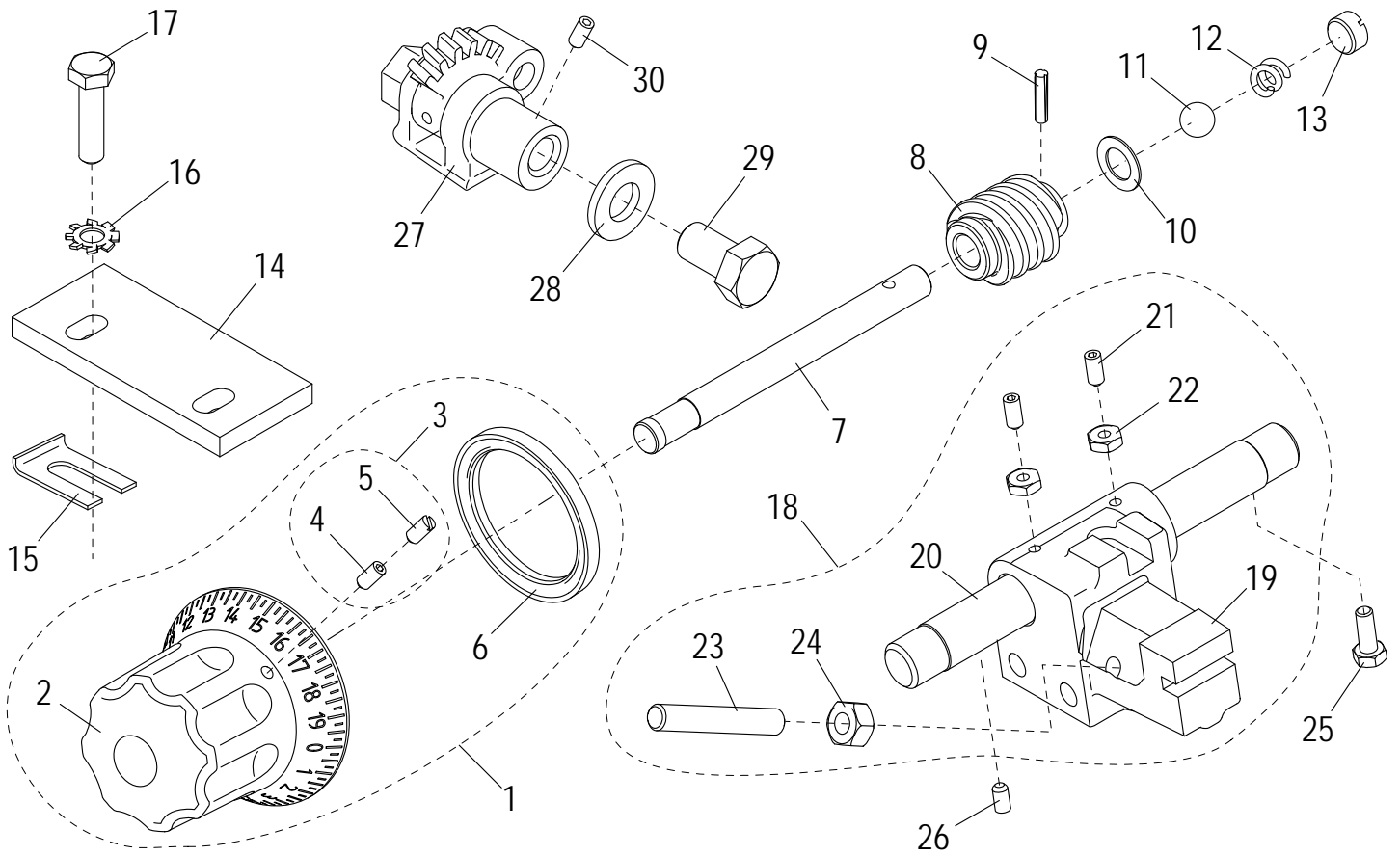


## 3975NF Slicer Gauge Plate Components

Item	Part Number	Description	Qty	Serial Number
1	460017-01	Gauge Plate Assembly, Standard (Incls. items 2-7)	1	
1	460017-02	Gauge Plate Assembly, Quick Clean (Incls. items 2-7)	1	
1	460017-03	Gauge Plate Assembly, Security (Incls. items 2-7)	1	
2	320015	Gauge Plate, Stainless Steel/Standard/Security	1	
2	310101	Gauge Plate, Stainless Steel/Quick Clean	1	
3	140071	Gauge Plate Support Replacement Kit (Incls. items 4-7)	1	
4	210030	Gauge Plate Support	1	
5	140072	Gauge Plate Fastener Kit (Incls. items 6-7)	1	
6	810335	Gauge Plate Screw	4	
7	910180	Gauge Plate Screw Cover	4	
8	870030	Flat Washer, Steel, Fits Screw	2	
9	890408	Screw, Gauge Plate Mounting	2	
10	450027	Gauge Plate Slide Bracket	1	
11	530016	Boot, Gauge Plate Slide	1	
12	450020	Gauge Plate Slide Adapter	1	
13	810388	Screw, Gauge Plate Slide Adapter	2	
14	810387	Screw, Gauge Plate Slide Bracket	1	
15	520314	Screw Cap	1	
16	337-A	Shim Kit (As Reqd) (Not shown)	1	
17	976-1	Gauge Plate Fastener, Old Style 3600N	4	->3850N00180



# 3975NF Gauge Plate Adjustment Components



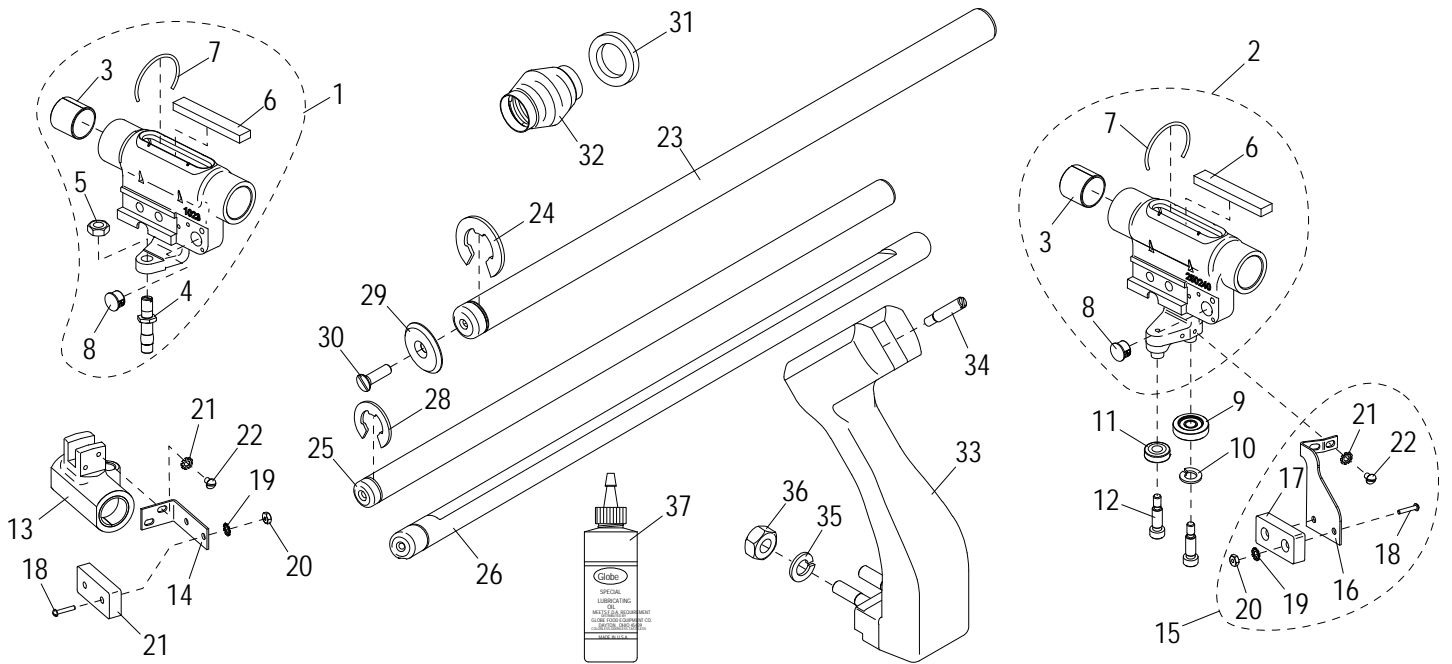


## 3975NF Gauge Plate Adjustment Components

Item	Part Number	Description	Qty	Serial Number
1	520309	Gauge Plate Index Knob Assembly (Incls. items 2-6)	1	
2		Molded Index Knob	1	
3	140073	Index Knob Hardware Kit (Incls. items 4-5)	1	
4		Set Screw, Hex Drive	3	
5		Set Screw, Slotted Drive	3	
6	140074	Seal Kit, Index Dial	1	
7	460051	Shaft, Index Adjustment Knob	1	
8	1147	Worm Gear	1	
9	360	Pin, Worm Gear	1	
10	359	Washer, Worm Gear	1	
11	362	Ball Bearing	1	
12	1200	Tension Spring	1	
13	361-1	Thrust Screw	1	
14	1259	Slide Guide	1	
15	349-A1	Slide Guide Shim Kit (Assorted Thickness) (As Req'd)	1	
16	870000	Lock Washer	2	
17	1307	Screw, Hex Head	2	
18	420027-01	Gauge Plate Slide Assembly, Standard (Incls. items 19-24)	1	
18	420027-03	Gauge Plate Slide Assembly, Meatroom	1	
19		Gauge Plate Slide	1	
20	1027	Shaft, Gauge Plate Slide, Standard	1	
20	1281	Shaft, Gauge Plate Slide, Meatroom	1	
21	168-1	Set Screw	2	
22	760-5	Nut	2	
23	1310	Stop Screw	1	
24	478-1	Nut, Stop Screw	1	
25	975-1	Screw, Gauge Plate Slide Rod	1	
26	700-3	Set Screw	2	
27	453-AS	Table Adjustment Gear Assembly	1	
28	881-4	Flat Washer	1	
29	335	Screw, Hex Head	1	
30	700-3	Set Screw	1	



# 3975NF Carriage Slide System Components



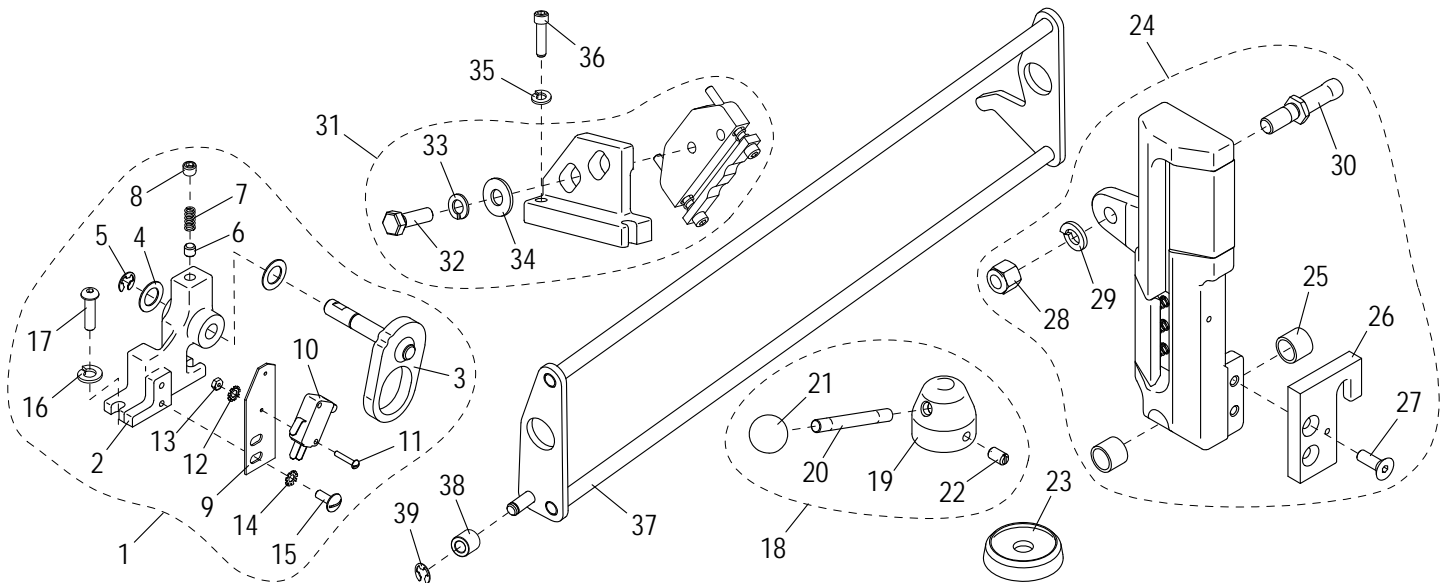


## 3975NF Carriage Slide System Components

Item	Part Number	Description	Qty	Serial Number
1	1278-A	Upper Slide Assembly (Incls. items 2-10)	1	
2	1079	Chain Slide Shaft - Automatic Slicer	1	
3	1235	Roll Pin - Automatic Slicer	1	
4	1270	Set Screw - Automatic Slicer	2	
5	436-7	Slide Bushing	2	
6	241-B	Stud, Slide Rod Bushing	1	
7	228	Nut	1	
8	436-3	Felt, Oil	1	
9	436-4	Spring Clip	2	
10	850-3	Hole Plug	1	
11	1024	Lower Slide Bushing	1	
12	210026	Carriage Receiver Assembly	1	
13	460039	Sharpener Handle Pivot	1	
14	245-A	Lock Washer	2	
15	478-2	Nut	2	
16	420050	Upper Slide Rod	1	
17	857-1	Upper Rod Retaining Clip	1	
18	420060	Lower Slide Rod	1	
19	858-1	Lower Bar Retaining Clip	1	
20	859	Slide Bar Washer	2	
21	859-1	Screw	2	
22	919-4	Spring, Sleeved - Upper Slide Rod	2	
23	519	Lubricating Oil	1	



# 3975NF Carriage Drive Components



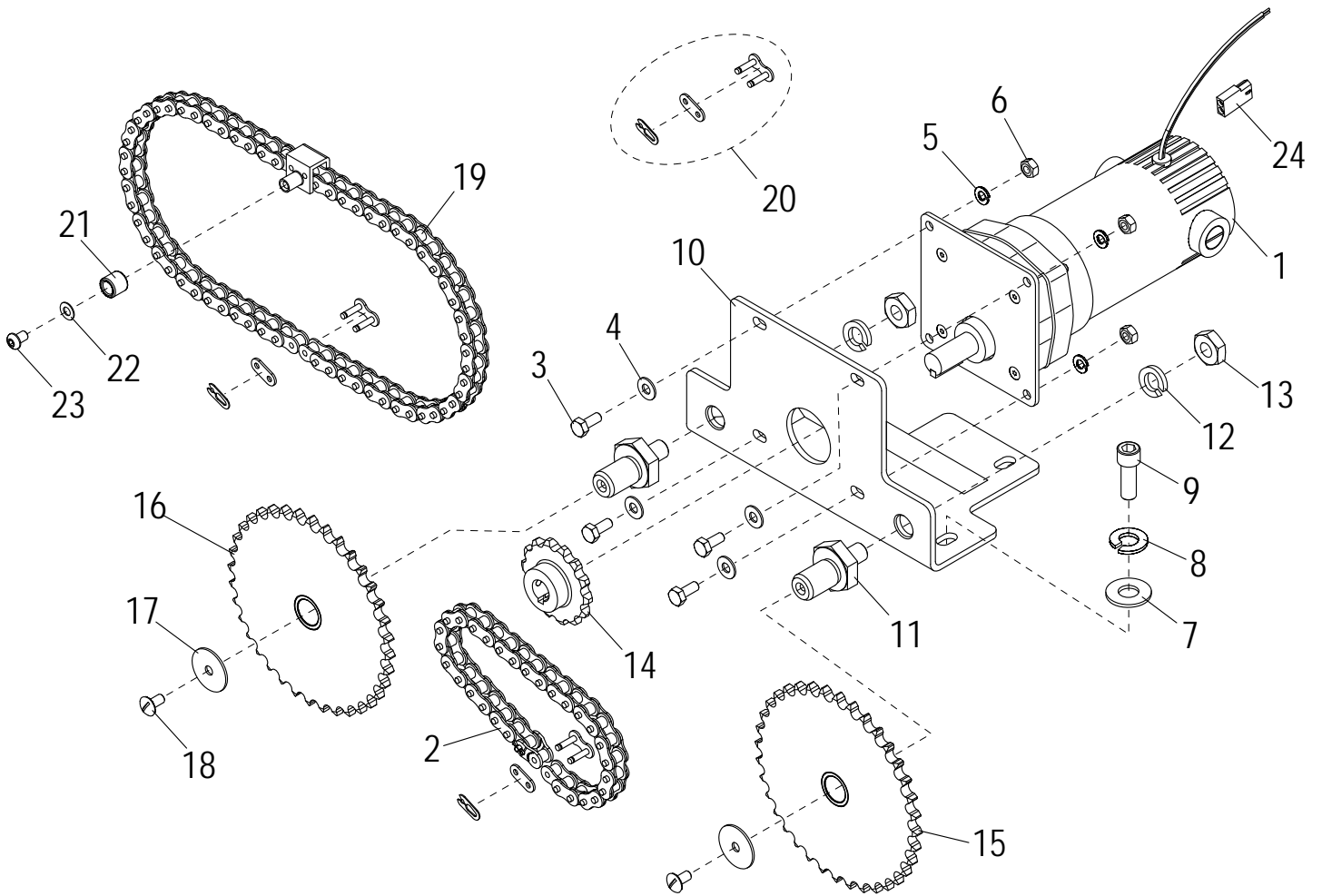


## 3975NF Carriage Drive Components

Item	Part Number	Description	Qty	Serial Number
1	1360	Auto/Manual Lever Assembly (Incls. items 2-17)	1	
2	1055	Bracket, Auto Engage	1	
3	1145	Cam Assembly	1	
4	359	Washer, Worm Gear	2	
5	940-10	C-Clip	1	
6	1299	Plug	1	
7	1300	Spring	1	
8	1291	Set Screw, Knurled Cup Point	1	
9	1053	Bracket, Microswitch	1	
10	1263	Microswitch	1	
11	854-2	Screw #4-40x5/8" Round Hd	2	
12	854-7	Lock Washer, External Tooth	2	
13	854-3	Hex #4-40 Nut	2	
14	854-7	Lock Washer, External Tooth	2	
15	900-1	Screw, Truss Hd	2	
16	1226	Washer M6 Split Lock	2	
17	1217	Screw, Button Head	2	
18	1029	Auto-Engage Lever Assembly (Incls. items 19-22)	1	
19	1026	Lever Hub	1	
20	1028	Shaft	1	
21	1202	Knob	1	
22	810393	Set Screw	1	
23	520340	Boot, Auto-Engage Lever	1	
24	1308	Chain Slide Assembly (Incls. items 25-30)	1	
25	1166	Bearing	2	
26	1119	Actuator	1	
27	1089	Screw, Flat Head	2	
28	1297	Lock Nut	1	
29	962-13	Lock Washer	1	
30	1080	Eccentric Stud	1	
31	1361	Engagement Spring Assembly (Incls. items 32-34)	1	
32	1295	Screw, Hex Head	2	
33	245-A	Lock Washer	2	
34	1288	Flat Washer	2	
35	1226	Washer M6 Split Lock	2	
36	1238	Screw, Socket Head	2	
37	1104	Rocker Assembly	1	
38	1102	Cam Roller	1	
39	940-10	C-Clip	1	



# 3975NF Carriage Drive Motor





## 3975NF Carriage Drive Motor

Item	Part Number	Description	Qty	Serial Number
1	982-1BS	DC Gear Motor	1	
2	1019	Drive Chain (Incls. Master Link P/N 1336)	1	
3	627-C	Screw	4	
4	825-2	Flat Washer	4	
5	962-16	Lock Washer	4	
6	825-3	Nut	4	
7	1288	Flat Washer	3	
8	245-A	Lock Washer	3	
9	1298	Cap Screw	3	
10	1082	Motor Mount Bracket	1	
11	1118	Sprocket Stud	2	
12	815	Lock Washer	2	
13	646	Nut	2	
14	1030	Motor Sprocket	1	
15	1285	18 & 36 Tooth Sprocket	1	
16	1286	36 Tooth Sprocket	1	
17	608	Sprocket Washer	2	
18	762-6	Mach. Screw 1/4-20 x .50	2	
19	1020	Auto Drive Chain Assembly	1	
20	1336	Master Link	1	
21	1097	Cam Follower	1	
22	870084	Flat Washer, Cam	1	
23	1107	Cam Screw (Must ship with P/N 870084)	1	
24	982-1MH	Wire Connector	1	



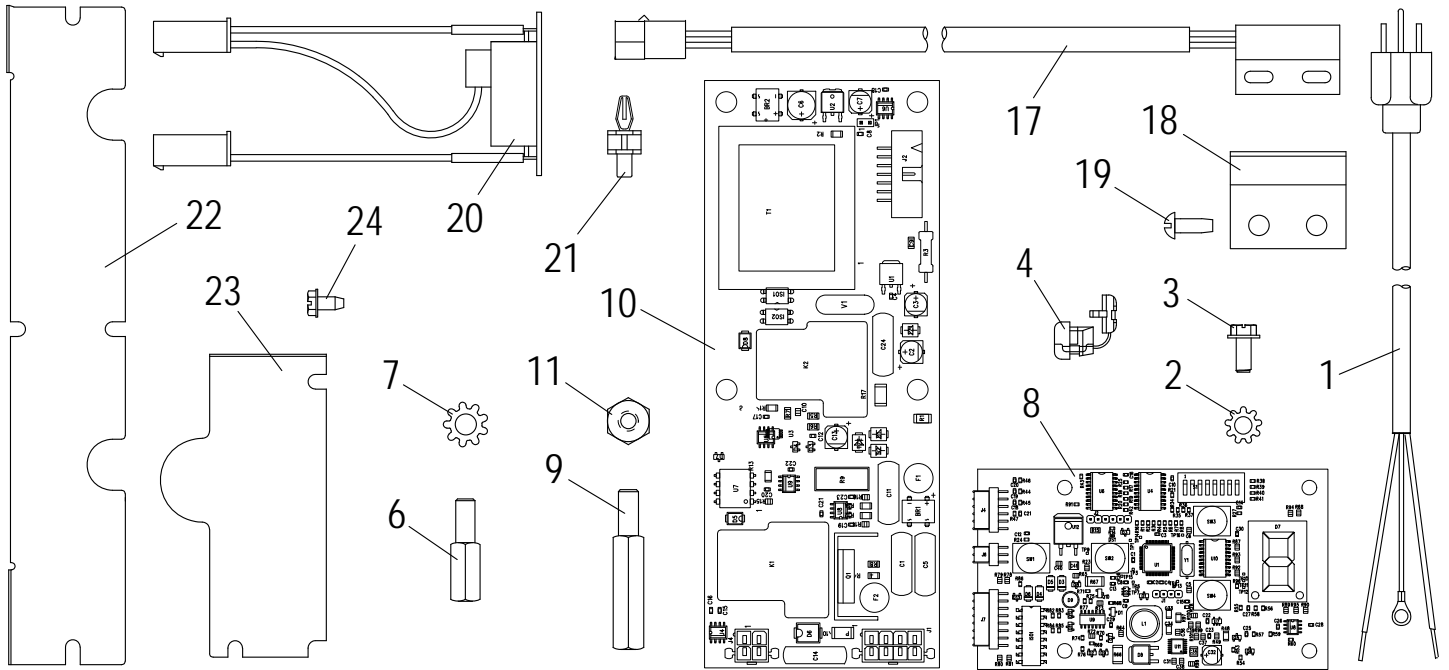


## 3975NF Base Apron & Lift Lever Assembly

Item	Part Number	Description	Qty	Serial Number
1	1046	Base Apron	1	
2	813	Bolt	4	
3	815	Lock Washer	4	
4	881-4	Flat Washer	2	
5	520052	Cover, Electrical Box	1	
6	1274	Gasket	1	
7	870087	Washer, Flat #10	4	
8	810218	Lock Nut, Nylon Insert	4	
9	1159	Overlay, Touchpad	1	
10	1192	Gasket	1	
11	320041	Cover, Wireway	1	
12	889	Screw	7	
13	340000	Cover, Bottom (Not shown)	1	
14	1161	Lift Lever Assembly (Incls. items 15-16)	1	
15	1154	Lift Lever	1	
16	951-8	Lift Lever Handle	1	
17	1155	Support, Lift Lever	1	
18	951-2	Pivot Rod Clip	2	
19	900-1	Screw, Truss Hd	4	
20	1252	Lock Washer	8	
21	760-5	Nut	4	
22	1276	Hex Nut	4	
23	550010	Clip, Bottom Cover	1	
24	910215	Label, Wiring Diagram (Not shown)	1	



# 3975NF Electrical System Components



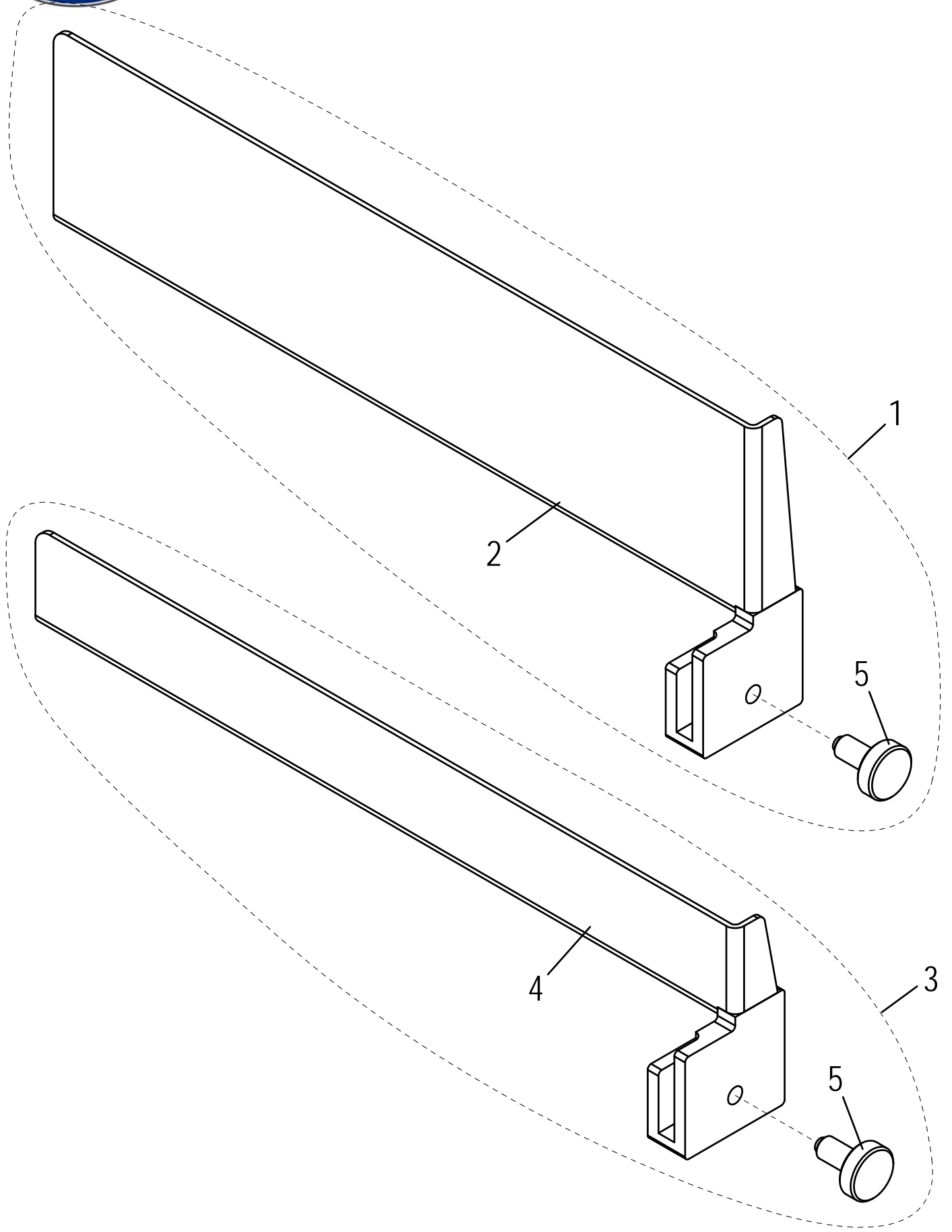


## 3975NF Electrical System Components

Item	Part Number	Description	Qty	Serial Number
1	132-3	Cord & Plug	1	
2	854-7	Lock Washer, External Tooth	2	
3	890409	Ground Screw (Green)	2	
4	877	Strain Relief	1	
5	130201	Wire Harness, 110VAC (Not shown)	1	
6	1294	Hex Stand-off, Controller Board Mounting (1/2" Long)	4	
7	854-7	Lock Washer, External Tooth	4	
8	011002	PC Board, Controller/Logic	1	
9	180108	Hex Standoff, Power Board Mounting (1.75" Long)	4	
10	011012	PC Board, Power Supply, 110VAC	1	
11	1219	Nut, Nylon Insert (Power Supply Circuit Board)	4	
12	1367	Ribbon Cable, Pwr Bd/Controller Bd (Not shown)	1	
13	180100	Ribbon Cable Retaining Clip (Not shown)	2	
14	520052	Cover, Electrical Box (Not shown)	1	
15	870087	Washer, Flat #10 (Not shown)	4	
16	810218	Lock Nut, Nylon Insert (Not shown)	4	
17	1178	Proximity Switch, Knife Cover	1	
18	310130	Bracket, Switch Mounting - Knife Guard	1	
19	1223	Screw, Brass	2	
20	1358	Switch, Motor Start - Solid State 110VAC	1	
21	1250	Stand-Off, Motor Start Switch	2	
22	1136	Wireway Cover #2	1	
23	1137	Wireway Cover #3	1	
24	889	Screw	7	



# 3975NF Carriage Fence Accessories





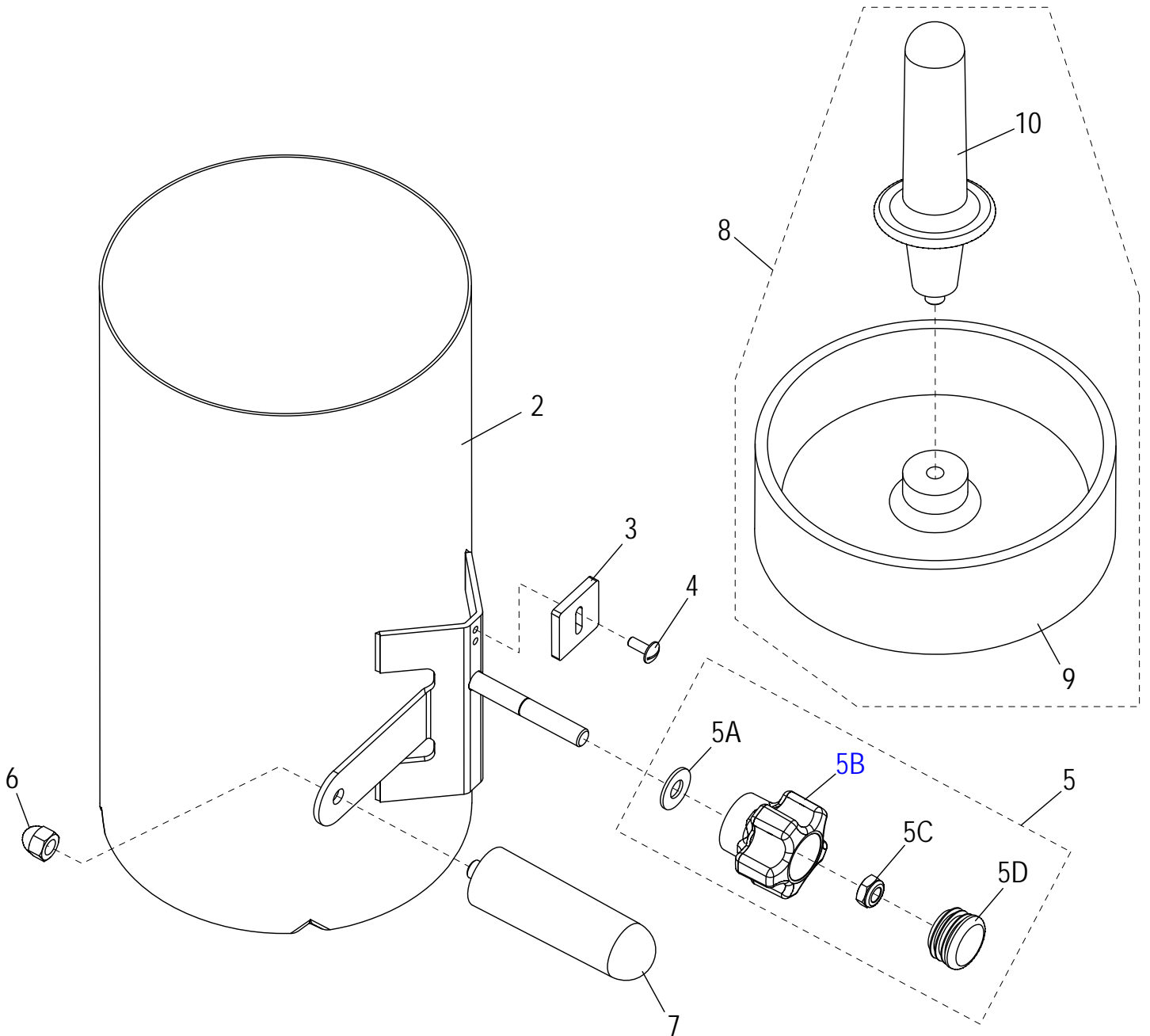
## 3975NF Carriage Fence Accessories

---

Item	Part Number	Description	Qty	Serial Number
1	<a href="#">1326</a>	Fence Assembly, 12" X 3" (Incls. items 2, 5)	1	
2	<a href="#">1048</a>	Fence, 12" X 3"	1	
3	<a href="#">1047</a>	Fence Assembly, 12" X 1-3/8" (Incls. items 4-5)	1	
4	1051	Fence, 12" X 1-3/8"	1	
5	<a href="#">1052</a>	Clamp Thumb Screw	1	



# 3975NF Vegetable Hopper Assembly





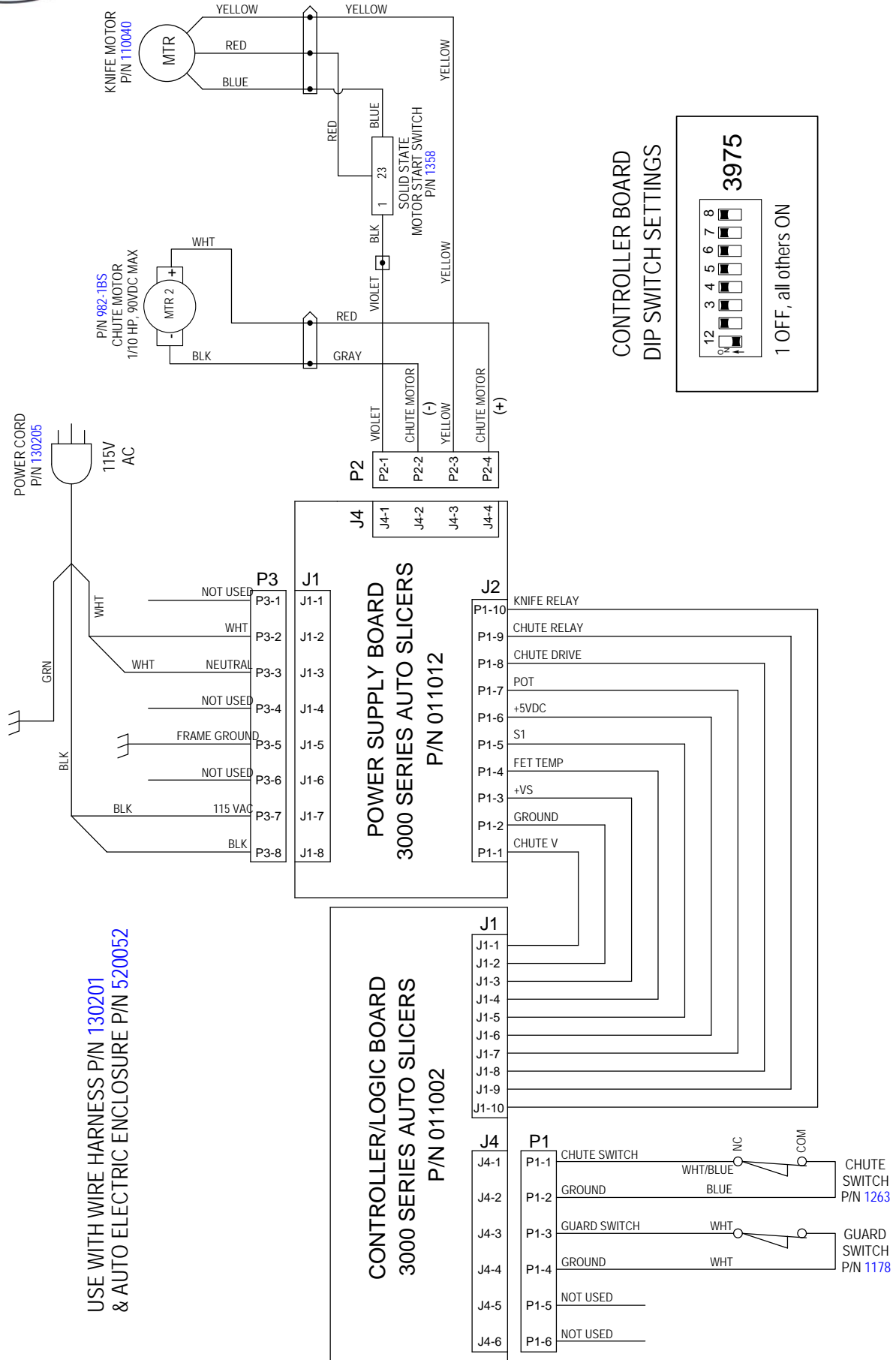
## 3975NF Vegetable Hopper Assembly

---

Item	Part Number	Description	Qty	Serial Number
1	699-BAS	Vegetable Hopper Assembly	1	
2	030041	Hopper Body with Support and Stud	1	
3	699-33	Hopper Stop	1	
4	900-1	Screw, Truss Hd	1	
5	510011	Hopper Support Knob Assy. (Incl. items 5A-5D)	1	
5A		Washer M14, Flat	1	
5B		Knob	1	
5C		Nut, Nylon Insert	1	
5D	840002	Cap	1	
6	699-32	Acorn Nut	1	
7	482-B	Hopper Handle	1	
8	699-16	Hopper End Weight Assy. (Incl. items 9-10)	1	
9	699-17	Hopper End Weight	1	
10	741-SS3	Hopper End Weight Handle	1	



# 3975NF Automatic Slicer Schematic



USE WITH WIRE HARNESS P/N 130201  
& AUTO ELECTRIC ENCLOSURE P/N 520052