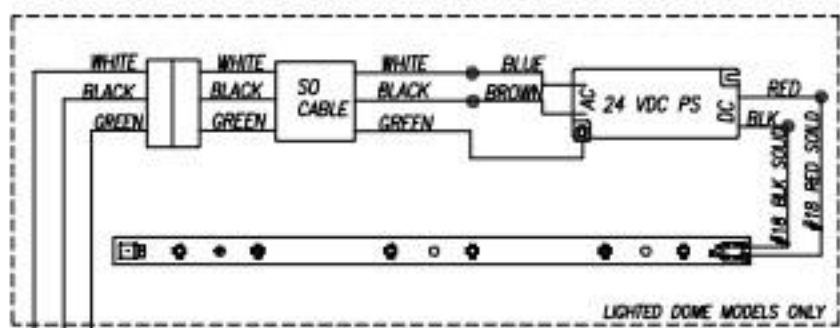
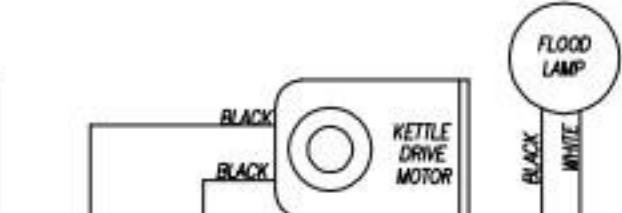
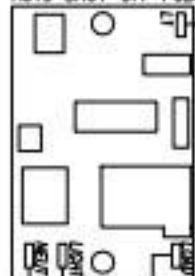


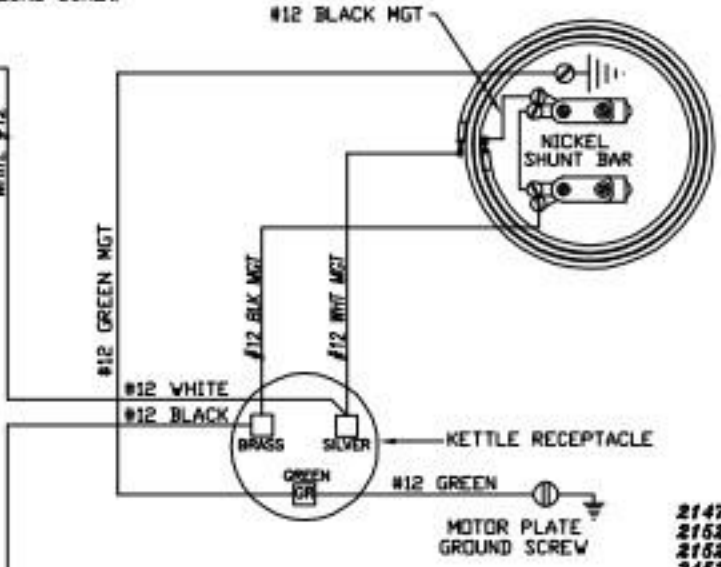
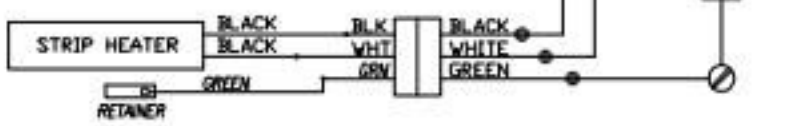
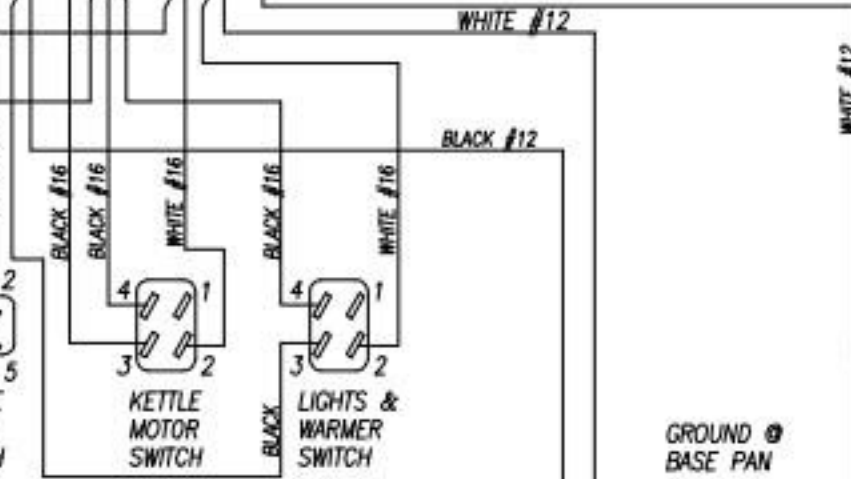
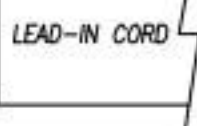
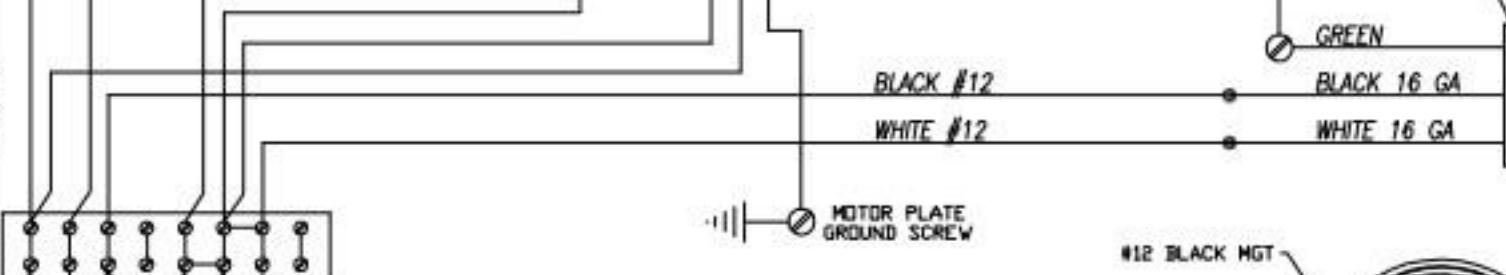
NOTE:

ALL WIRE 16GA UNLESS OTHERWISE SPECIFIED.
 INTERNAL WIRING LABELED APPLIANCE WIRING
 WITH AT LEAST 1/32 THERMOPLASTIC INSULATION
 RATED 90° & 105° C. KETTLE LEAD-12 GA
 TYPE AGS OR TGS OR STYLE 5065 NICKEL.

AUTO SHUT-OFF PCB

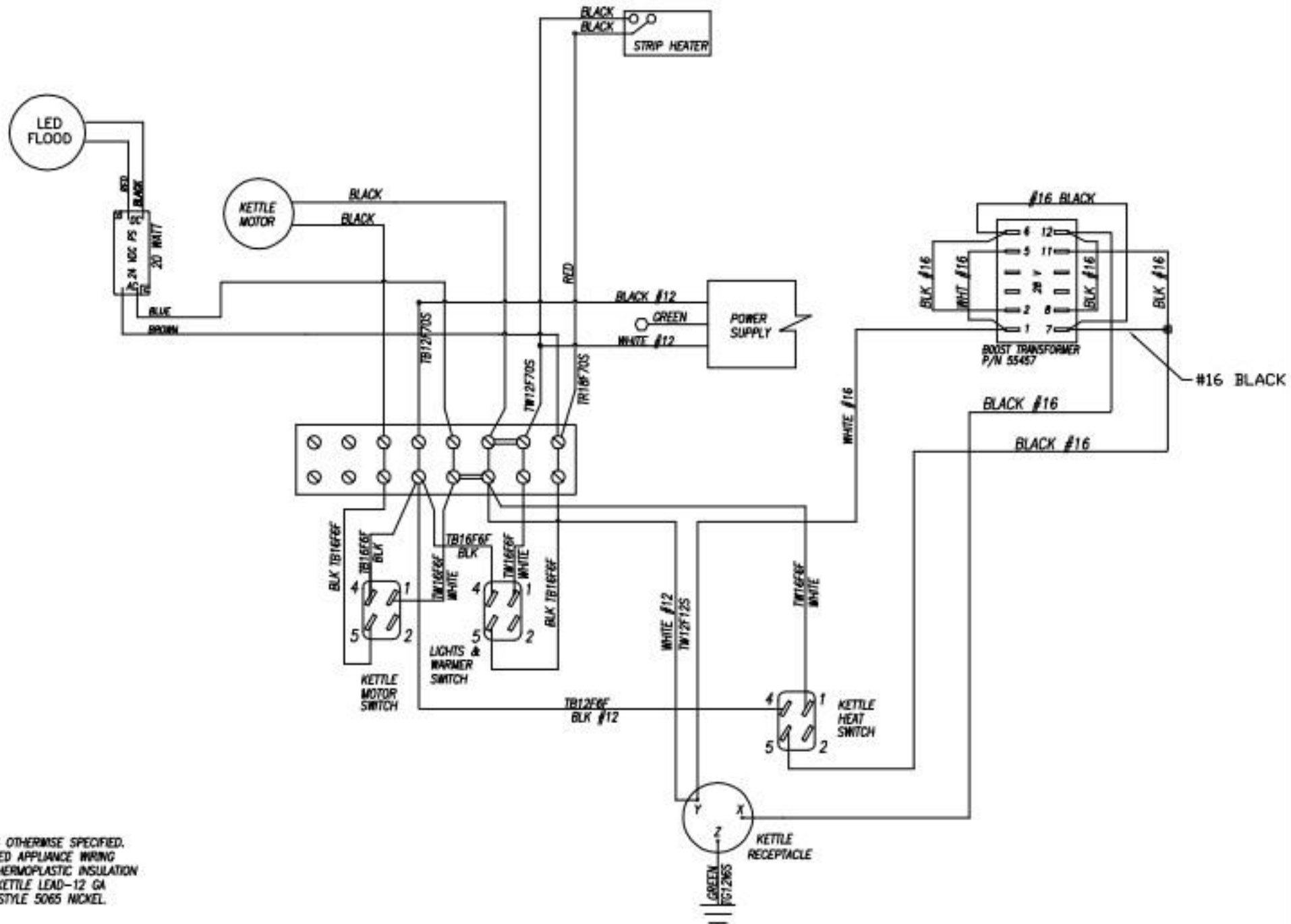


NOTE: FOR MODELS 2452 & 2452-00-002 USE 14 AWG POWER CORD

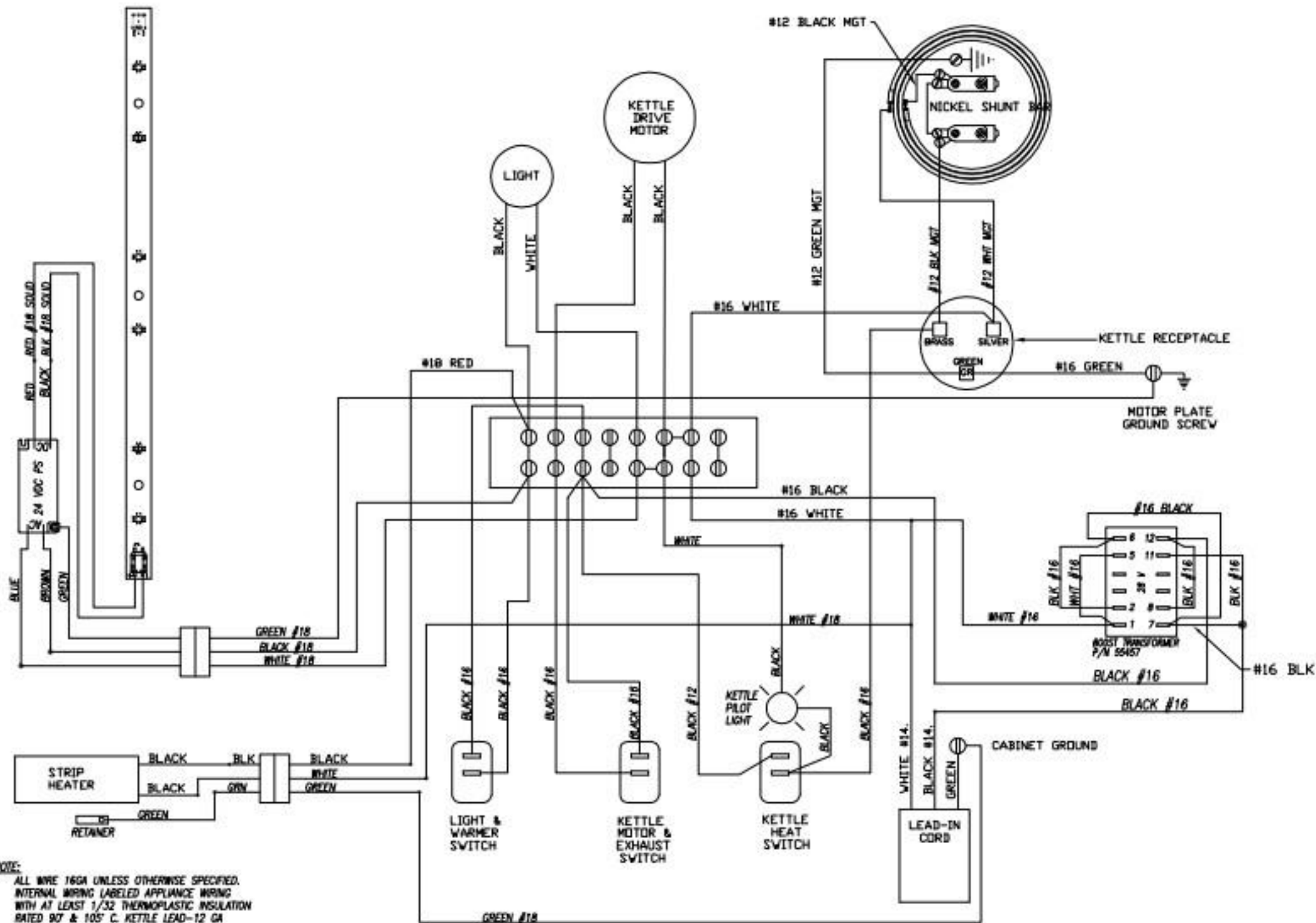


- 2147- DELUXE PINTO POP
- 2152- BRONCO POP
- 2152ST-BRONCO POP SS DOME
- 2452- BRONCO POP W/LIT SIGN
- 2452-00-002- BRONCO POP BC

NOTE:
 ALL WIRE 16GA UNLESS OTHERWISE SPECIFIED.
 INTERNAL WIRING LABELED APPLIANCE WIRING
 WITH AT LEAST 1/32 THERMOPLASTIC INSULATION
 RATED 90° & 105° C. KETTLE LEAD-12 GA
 TYPE AGS OR TGS OR STYLE 5065 NICKEL



NOTE:
 ALL WIRE 16GA UNLESS OTHERWISE SPECIFIED.
 INTERNAL WIRING LABELED APPLIANCE WIRING
 WITH AT LEAST 1/32 THERMOPLASTIC INSULATION
 RATED 90° & 105° C. KETTLE LEAD-12 GA
 TYPE AGS OR TGS OR STYLE 5065 NICKEL.



NOTE:
 ALL WIRE 16GA UNLESS OTHERWISE SPECIFIED.
 INTERNAL WIRING LABELED APPLIANCE WIRING
 WITH AT LEAST 1/32 THERMOPLASTIC INSULATION
 RATED 90° & 105° C. KETTLE LEAD-12 GA
 TYPE AGS OR TGS OR STYLE 5085 NICKEL.