

# Operation Manual and Parts Directory

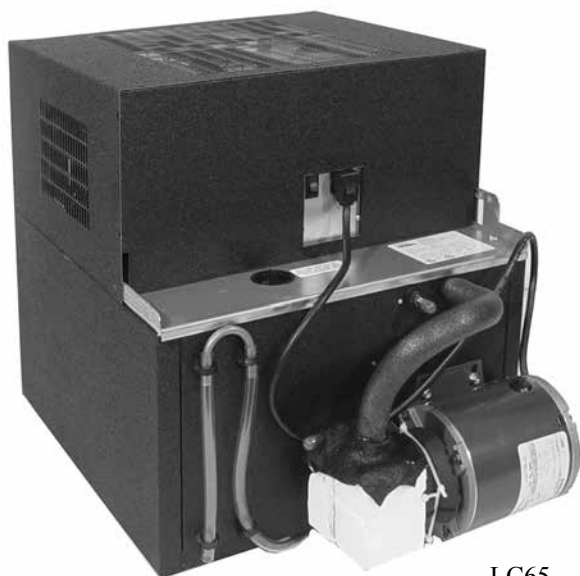
---



LC65, LC85, LC86, LC44, LC47

## DRAFT PRO REMOTE GLYCOL LINE CHILLERS

---



LC65



LC44

---

Glastender, Inc. · 5400 North Michigan Road · Saginaw, MI · 48604-9780  
800.748.0423 · 989.752.4275 · Fax 989.752.4444 · [www.glastender.com](http://www.glastender.com)

---



<u>Topic</u>	<u>Page</u>
Line Chiller Specifications and Wiring Diagrams.....	1-5
LC65 .....	1
LC85 .....	2
LC86 .....	3
LC44 .....	4
LC47 .....	5
Inspection Upon Arrival .....	6
Set-Up Remote Glycol Line Chiller .....	6
Electrical Hook-Up.....	6
Glycol Line Connection.....	6
Glycol Filling.....	7
Unit Start-Up.....	7
Cold Control Adjustment.....	8
System Start-Up.....	8
Trouble Shooting .....	9
Typical Installation Detail.....	10
Parts Directory .....	11-20
LC65 .....	11-12
LC85 .....	13-14
LC86 .....	15-16
LC44 .....	17-18
LC47 .....	19-20
Remote Beer Line Chiller Accessories.....	21
Installation Notes .....	22
Warranty.....	23

*Dimensions*

- Height - 20.0" (49.5 cm)
- Width - 18.0" (45.7 cm)
- Depth - 25.75" (50.2 cm)

*Electrical*

- 115V, 1 phase, 60 Hz, 10.8 full load amps
- 230V, 1 phase, 50 Hz, 5.8 full load amps
- Dedicated 15 amp circuit is required
- Includes a 8-foot grounded cord

*Refrigeration*

- 1/3 HP R134a lift-out high temperature condensing unit

*Glycol Bath Capacity*

- 7.5 U.S. gallons (28.4 l)

*Maximum Distance to Taps*

- 125 ft (22.9 m)

*Circulating Pump*

- 60 gph (227 lph)

*Circulating Motor*

- 1/3 HP (.25 kW)

*Shipping Weight*

- 92 lbs (41.8 kg)

*Operating Weight*

- 152 lbs (69.1 kg)

*Shipping Cube*

- 9.5 cu ft (.28 cu m)

*Options*

- 4" Adjustable legs (up to 5-1/2")



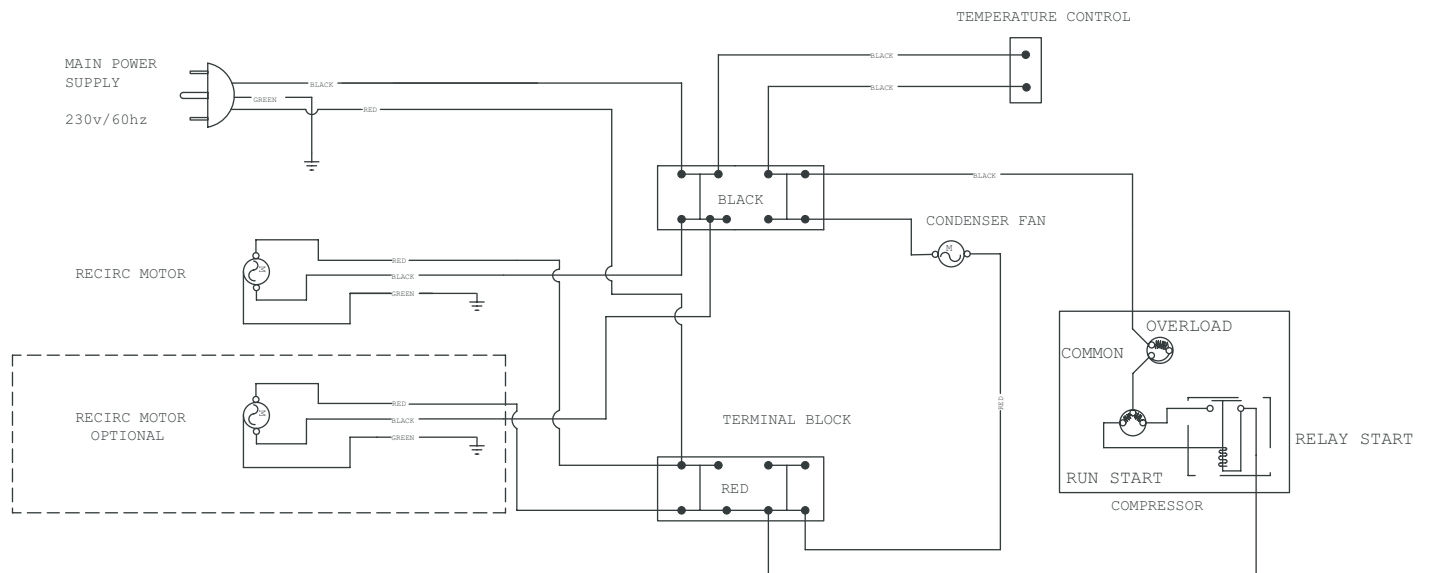
LC65

**STANDARD FEATURES**

- Modular lift-out refrigeration system for easy in-field service
- High capacity refrigeration and recirculation for high volume and remote long distance installations
- CFC-free R134a refrigerant
- Light-weight, roto-molded glycol bath with drain
- Polyurethane foamed-in-place insulation

NOTE: Clearance of 12" required around unit for maintenance and air flow.

## LC65 WIRING DIAGRAM



# LC85 SPECIFICATIONS



## Dimensions

- Height - 22.25" (56.5 cm)
- Width - 26.75" (67.9 cm)
- Depth - 16.50" (41.9 cm)

## Electrical

- 115V, 1 phase, 60 Hz, 10.8 full load amps
- 230V, 1 phase, 50 Hz, 5.8 full load amps
- Dedicated 15 amp circuit is required
- Includes a 8-foot grounded cord

## Refrigeration

- 1/3 HP R134a lift-out high temperature condensing unit

## Glycol Bath Capacity

- 14.80 U.S. gallons (56.0 l)

## Maximum Distance to Taps

- 125 ft (38.1 m)

## Circulating Pump

- 60 gph (227 lph)

## Circulating Motor

- 1/3 HP (.25 kW)

## Shipping Weight

- 107 lbs (48.5 kg)

## Operating Weight

- 225 lbs (102 kg)

## Shipping Cube

- 9.5 cu ft (.28 cu m)

## Options

- 4" Adjustable legs (up to 5-1/2")



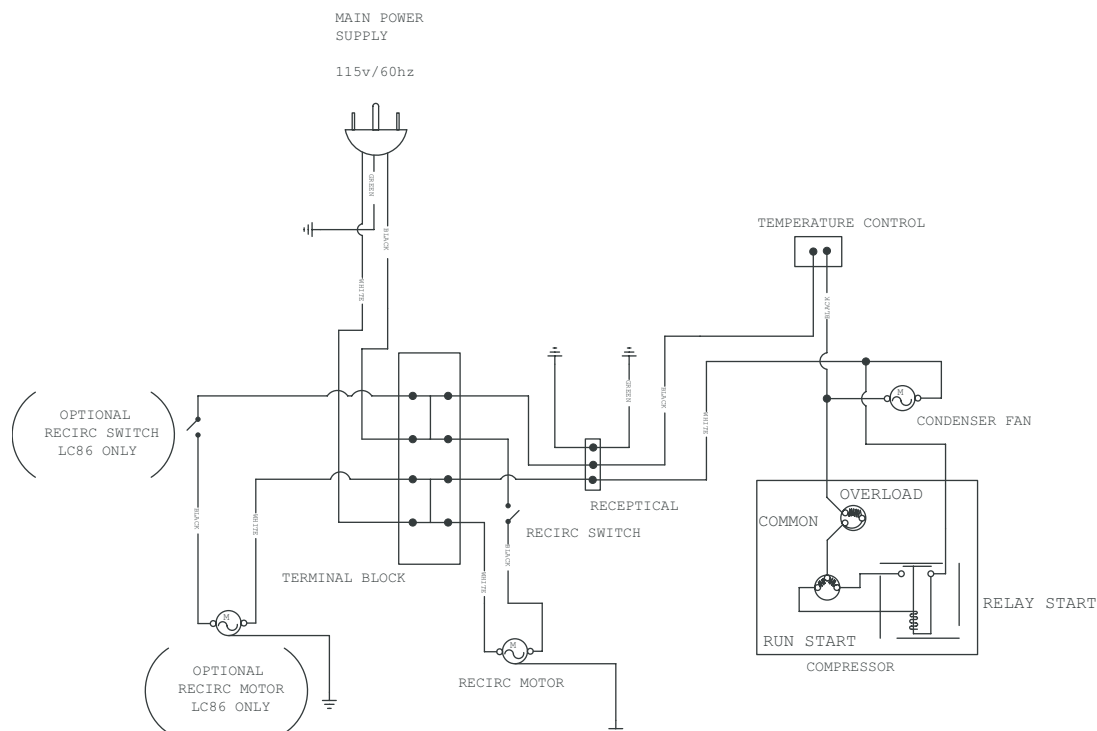
LC85

## STANDARD FEATURES

- Modular lift-out refrigeration system for easy in-field service
- High capacity refrigeration and recirculation for high volume and remote long distance installations
- CFC-free R134a refrigerant
- Light-weight, roto-molded glycol bath with drain
- Polyurethane foamed-in-place insulation

NOTE: Clearance of 12" required around unit for maximum air flow and 20" of overhead clearance for servicing compressor.

# LC85 WIRING DIAGRAM



*Dimensions*

- Height - 24.25" (61.6 cm)
- Width - 26.75" (67.9 cm)
- Depth - 16.50" (41.9 cm)

*Electrical*

- 115V, 1 phase, 60 Hz, 16.0 full load amps
- 230V, 1 phase, 50 Hz, 8.0 full load amps
- Dedicated 20 amp circuit is required
- Includes a 8-foot grounded cord

*Refrigeration*

- 1/2 HP R134a lift-out high temperature condensing unit

*Glycol Bath Capacity*

- 14.80 U.S. gallons (56.0 l)

*Maximum Distance to Taps*

- 250 ft (53.4 m)

*Circulating Pump*

- 60 gph (227 lph)

*Circulating Motor*

- 1/3 HP (.25 kW)

*Shipping Weight*

- 125 lbs (56.7 kg)

*Operating Weight*

- 243 lbs (110 kg)

*Shipping Cube*

- 9.5 cu ft (.28 cu m)

*Options*

- Additional recirculating pump kit
- 4" Adjustable legs (up to 5-1/2")



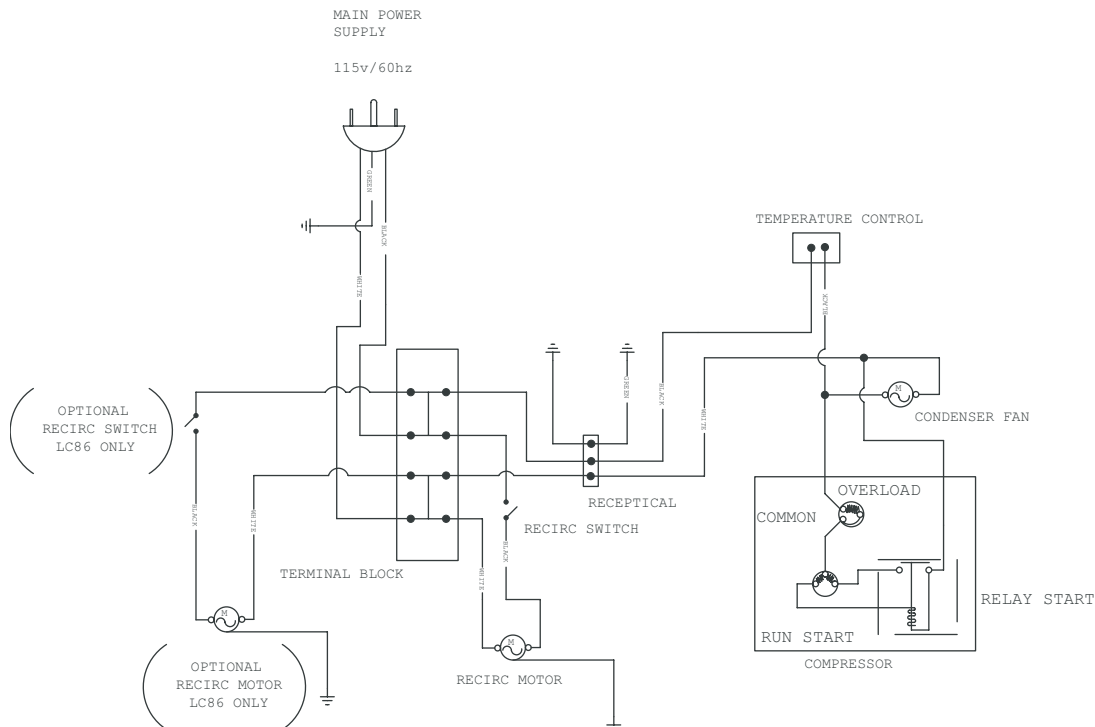
LC86

## STANDARD FEATURES

- Modular lift-out refrigeration system for easy in-field service
- High capacity refrigeration and recirculation for high volume and remote long distance installations
- CFC-free R134a refrigerant
- Light-weight, roto-molded glycol bath with drain
- Polyurethane foamed-in-place insulation

NOTE: Clearance of 12" required around unit for maximum air flow and 20" of overhead clearance for servicing compressor.

## LC86 WIRING DIAGRAM



# LC44 SPECIFICATIONS



## Dimensions

- Height - 30.56" (77.6 cm)
- Width - 20.125" (51.1 cm)
- Depth - 25.125" (63.8 cm)

## Electrical

- 115V, 1 phase, 60 Hz, 16.0 full load amps
- 230V, 1 phase, 50 Hz, 8.0 full load amps
- Dedicated 20 amp circuit is required
- Includes a 8-foot grounded cord

## Refrigeration

- 1/2 HP R134a lift-out high temperature condensing unit

## Glycol Bath Capacity

- 16.25 U.S. gallons (61.78 l)

## Maximum Distance to Taps

- 250 ft (53.4 m)

## Circulating Pump

- 60 gph (227 lph)

## Circulating Motor

- 1/3 HP (.25 kW)

## Shipping Weight

- 125 lbs (56.82 kg)

## Operating Weight

- 243 lbs (110.45 kg)

## Shipping Cube

- 12.75 cu ft (.36 cu m)

## Options

- Additional recirculating pump kit
- 4" Adjustable legs (up to 5-1/2")



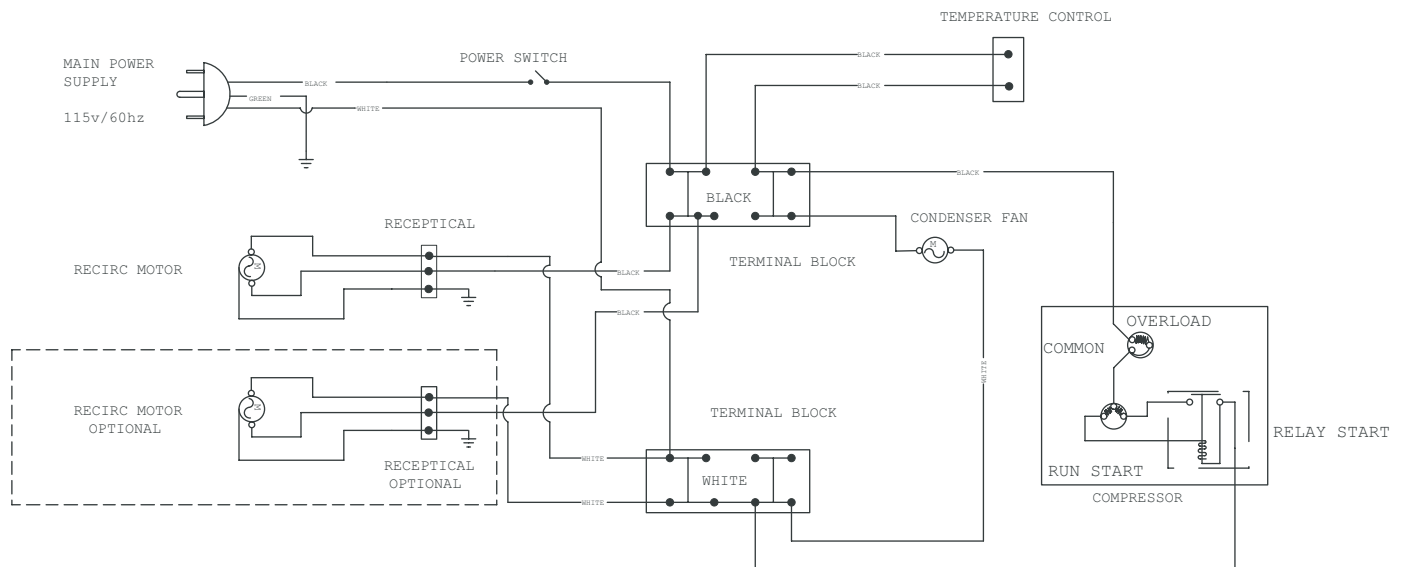
LC44

## STANDARD FEATURES

- Modular lift-out refrigeration system for easy in-field service
- High capacity refrigeration and recirculation for high volume and remote long distance installations
- CFC-free R134a refrigerant
- Light-weight, roto-molded glycol bath with drain
- Polyurethane foamed-in-place insulation

NOTE: Clearance of 12" required around unit for maximum air flow and 20" of overhead clearance for servicing compressor.

## LC44 WIRING DIAGRAM



*Dimensions*

- Height - 34.56" (87.7 cm)
- Width - 20.125" (51.1 cm)
- Depth - 25.125" (63.8 cm)

*Electrical*

- 230V, 1 phase, 60 Hz, 12.4 full load amps
- Dedicated 20 amp circuit is required
- Includes a 8-foot grounded cord

*Refrigeration*

- 3/4 HP R134a lift-out medium temperature condensing unit

*Glycol Bath Capacity*

- 16.25 U.S. gallons (61.78 l)

*Maximum Distance to Taps*

- 400 ft (91.5 m)

*Circulating Pump*

- 60 gph (227 lph)

*Circulating Motor*

- 1/3 HP (.25 kW)

*Shipping Weight*

- 155 lbs (70.34 kg)

*Operating Weight*

- 273 lbs (123.87 kg)

*Shipping Cube*

- 12.75 cu ft (.36 cu m)

*Options*

- Additional recirculating pump kit
- 4" Adjustable legs (up to 5-1/2")



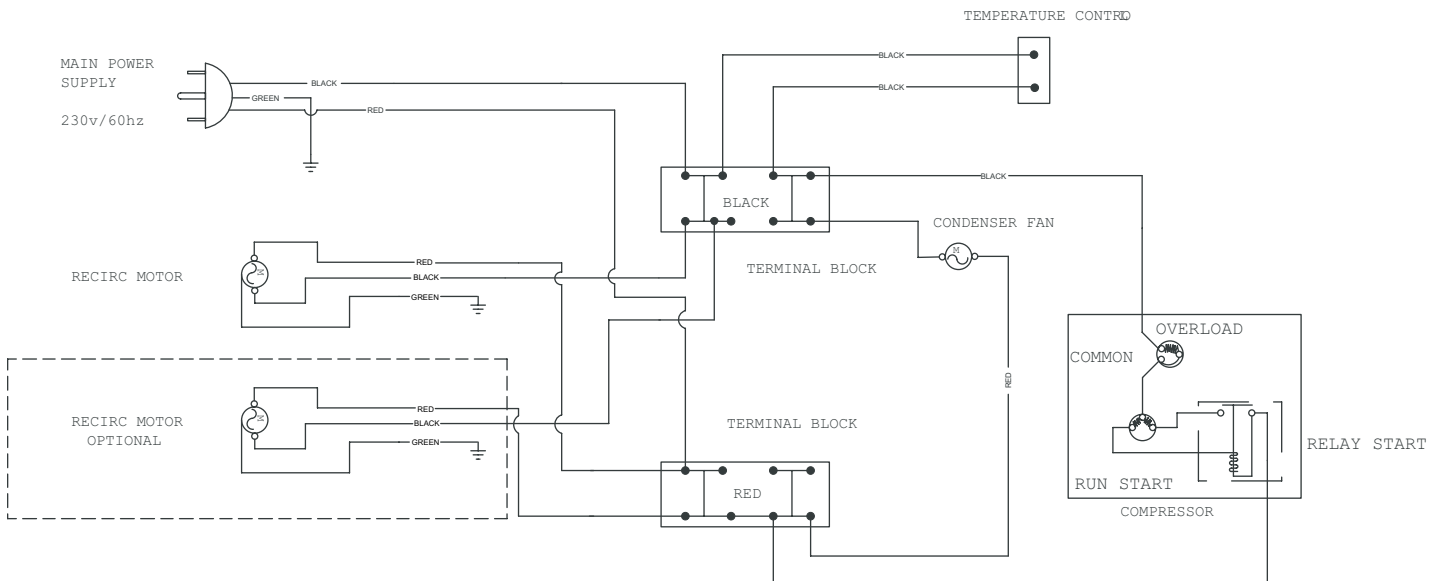
LC47

**STANDARD FEATURES**

- Modular lift-out refrigeration system for easy in-field service
- High capacity refrigeration and recirculation for high volume and remote long distance installations
- CFC-free R134a refrigerant
- Light-weight, roto-molded glycol bath with drain
- Polyurethane foamed-in-place insulation

NOTE: Clearance of 12" required around unit for maximum air flow and 20" of overhead clearance for servicing compressor.

## LC47 WIRING DIAGRAM



## 1. INSPECTION UPON ARRIVAL:

Immediately upon arrival, a visual inspection of the carton should be made to determine if there is evidence of damage in shipment. Following uncrating, make an inspection for any signs of external damage.

## 2. SET-UP OF REMOTE GLYCOL LINE CHILLER:

Once the survey of the location has been completed to determine the positioning of the remote glycol line chiller and the connecting draft beer dispensing stations (refer to the specification sheet to be certain that the trunk line will be within the recommended distance), make the necessary provisions to locate the unit and provide for the electrical services.

The ideal set-up is to mount the glycol line chiller on a proper machine stand that is easily accessible for routine maintenance and service.

In less-than-ideal circumstances, it may be necessary to locate the unit on top of the walk-in cooler or on the floor.

**NOTE: Do not locate the glycol chiller in the walk-in cooler, as the cold ambient temperature will reduce the cooling performance of the unit.**

**Ensure that the unit receives adequate ventilation, by avoiding obstructions to the air intake and exhaust grillwork on the unit.**

If the unit is located on the floor:

- Ensure the cabinet is sealed to the floor with NSF listed silicon RTV sealant applied around the entire bottom edge of the cabinet.
- Optional 4" legs and base plate may be installed to the bottom of the cabinet.

## 3. ELECTRICAL HOOK-UP:

Models LC65 and LC85 are supplied with a 15 Amp grounded cord and plug that connects at the rear of the unit. Models LC86, LC44, and LC47 are supplied with a 20 Amp grounded cord and plug that connects at the rear of the unit. A corresponding 15 Amp or 20 Amp grounded receptacle, depending on the line chiller model used, must be installed within reach of the factory installed cord and plug.

## 4. GLYCOL LINE CONNECTION:

Install the insulated trunk line between the walk-in cooler, the glycol chiller and the dispensing station(s).

## 5. GLYCOL FILLING:

The LC65 glycol bath capacity is 7.5 gallons (US). The LC85 and the LC86 glycol bath capacity is 14.8 gallons (US). The LC44 and LC47 glycol bath capacity is 16.25 gallons (US).

Glycol supplied by Glastender, Inc. may be diluted to a ratio of (1) part glycol to (2) parts water for freeze protection down to 0°F (-18°C) or a ratio of (1) part glycol and (3) parts water for freeze protection down to 10°F (-12°C). These mix ratios are recommended, since the refrigeration system is not capable of lowering the temperature of the glycol bath below 15°F (-9.4°C)

For glycol not supplied by Glastender, Inc. please consult the glycol manufacturer's recommended mixing ratio for the desired operating temperature.

**NOTE: Do not place full strength glycol (undiluted) in the bath, as it will reduce the efficiency of the refrigeration system and may result in damage to the recirculation pump due to increased viscosity of cold glycol.**

**NOTE: Select and use only a propylene glycol product that meets FDA (Food and Drug Administration) regulations as a food grade product. Any substitution of food grade glycol with automotive anti-freeze or other products will expose people to hazardous chemicals.**

Fill the bath with glycol mixture by placing funnel in the fill hole (remove black plug in refrigeration deck platform). Pour in the glycol mixture until the level in the bath reaches the top, and the liquid begins to flow slightly from the overflow tube at the front of the unit.

## 6. UNIT START-UP:

- Plug in unit to fifteen (15) or twenty (20) amp protected circuit (Refer to Step 3, Electrical Hook Up).
- Models LC65 and LC44 have a power switch that allows the condensing unit and recirculating pump to operate when is the on position.
- Once models LC85 and LC86 are plugged in, the condensing unit will operate. There is a separate power switch to operate recirculating pump.
- Once the LC47 is plugged in, both the condensing unit and the recirculating pump will operate.
- Check all glycol circuit line connections for leaks.
- Once the pump has operated for a few minutes and the glycol circuit lines are fully flooded, the bath will need to be topped-off with additional glycol mixture.



**9. TROUBLE SHOOTING:****Complaints of warm beer...**

- Check the temperature of walk-in beer cooler.
- Check the glycol bath temperature.
- Check that recirculating pump is operating.

**Refrigeration Compressor Will Not Run...**

- Check that the unit is getting electrical power.
- Check that cold control is working.
- Check that all wiring connections are secure.

**Refrigeration Compressor Runs But Stops...**

- Check for dirt build-up on condenser coil surface.
- Check that there is no obstruction of air flow into the cabinet.
- Ensure that enough voltage is supplied to the unit.

**Refrigeration Compressor Runs But Not Cooling...**

- Check for refrigerant leaks.

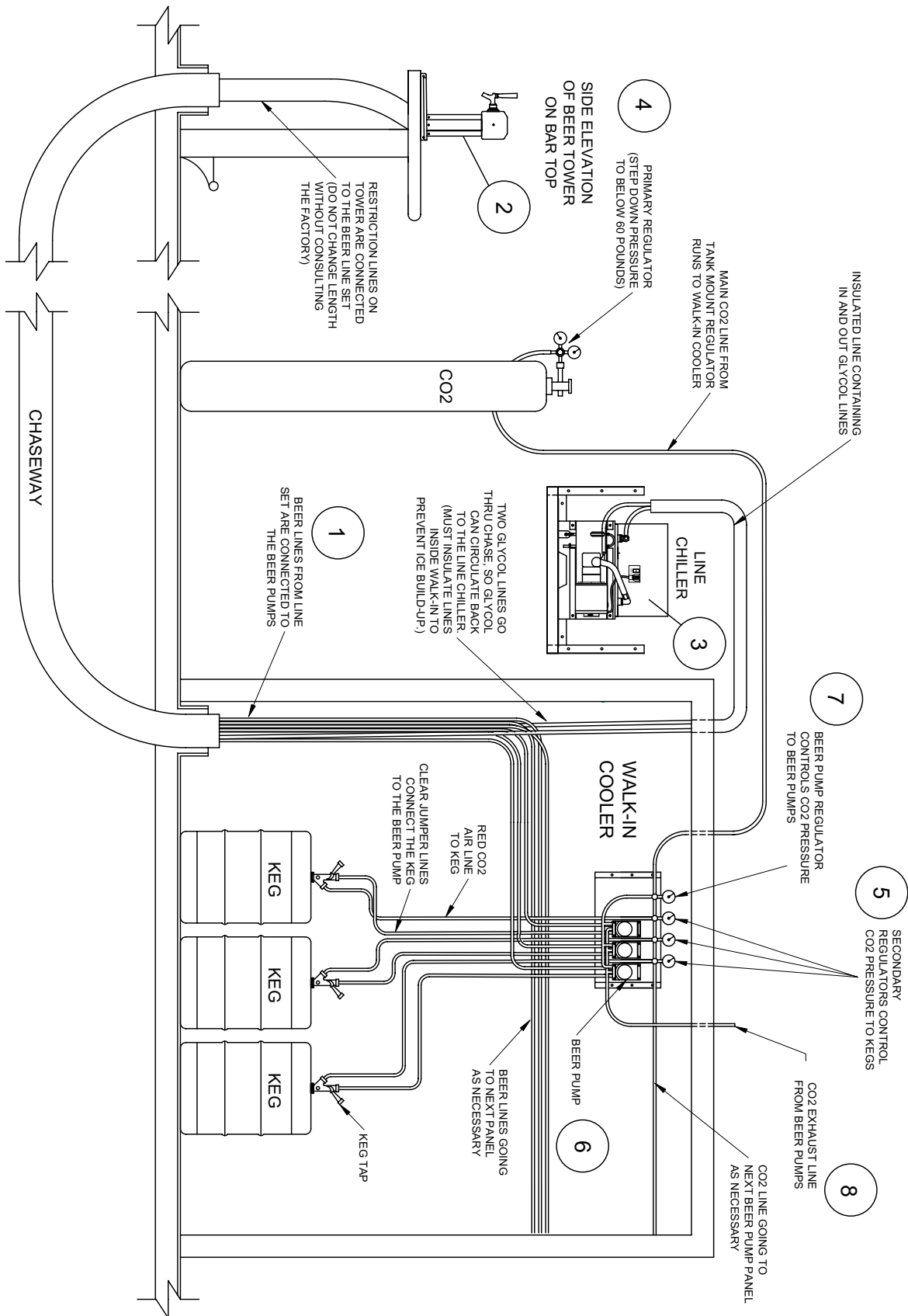
**Noisy or Hot Recirculating Pump...**

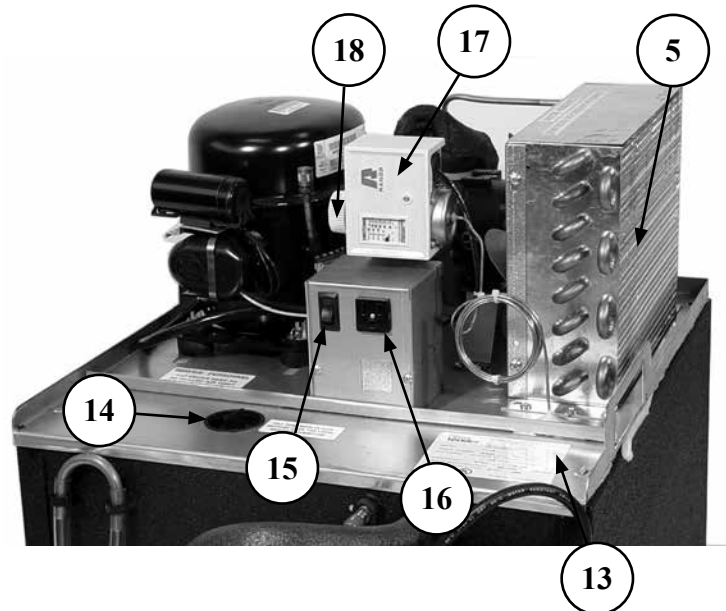
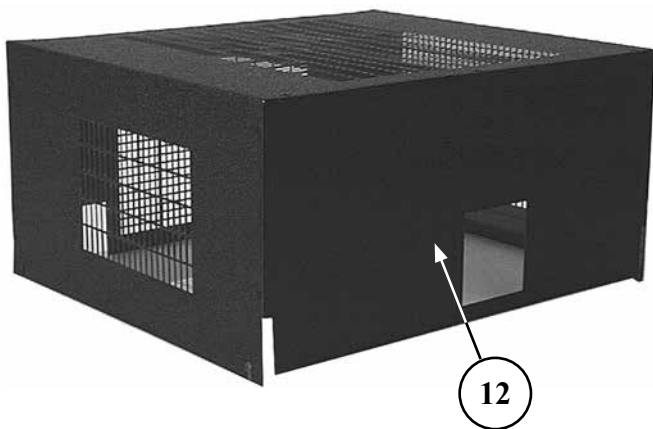
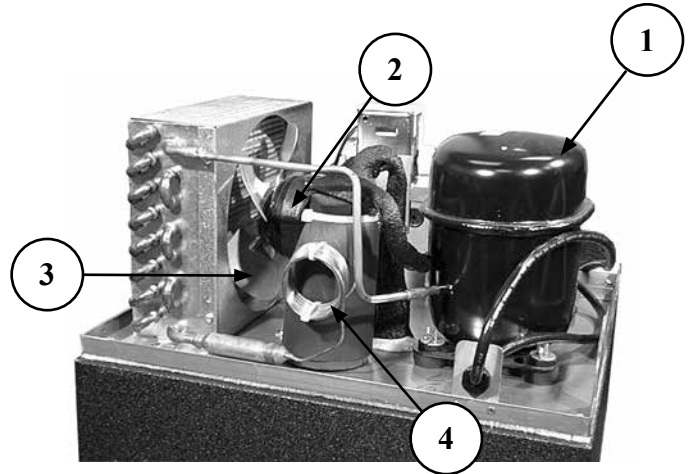
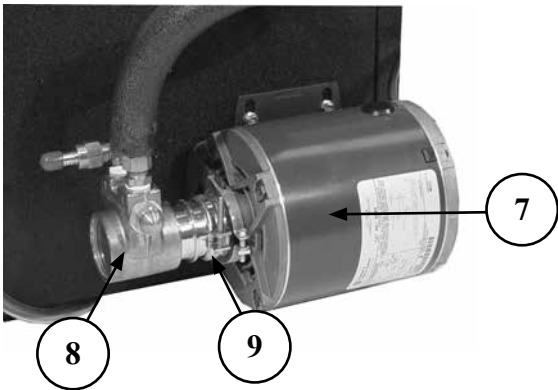
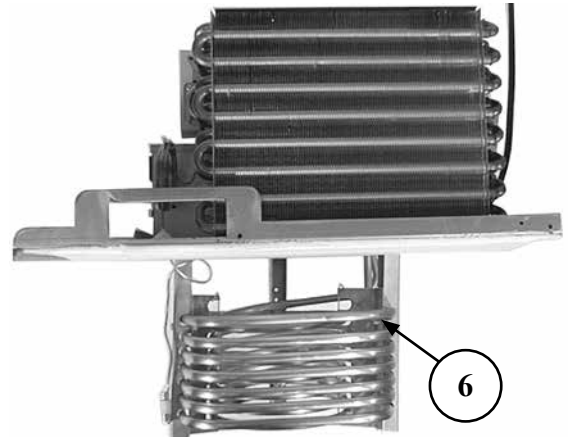
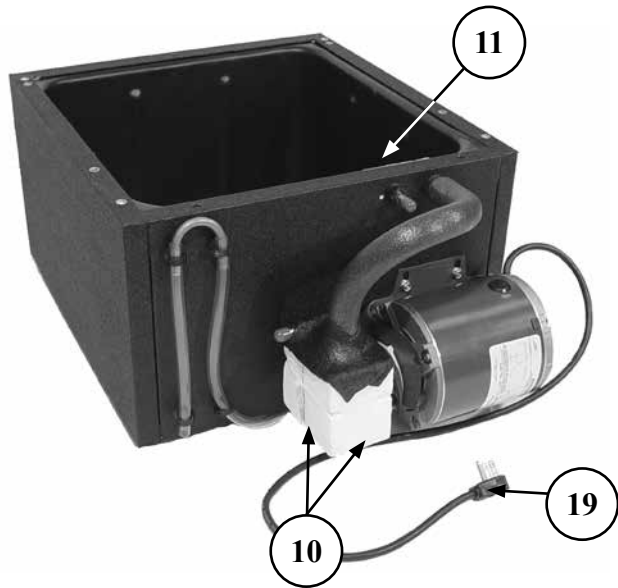
- Ensure that glycol bath is not frozen.
- Ensure that the glycol solution has been properly diluted.
- Check motor and pump coupling for wear.

**Recirculation Pump Not Working...**

- Ensure that pump and motor coupling has not worn free.
- Check power supply to the motor.
- Replace worn pump.

# TYPICAL INSTALLATION DETAIL

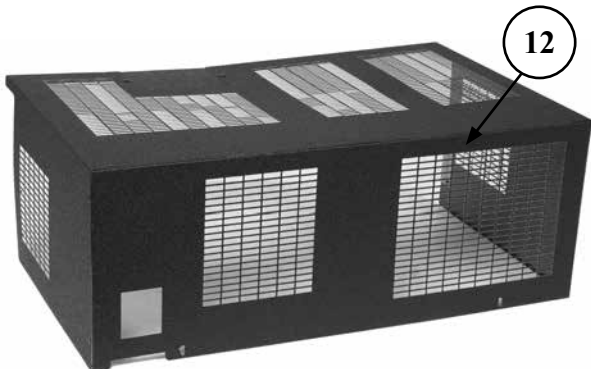
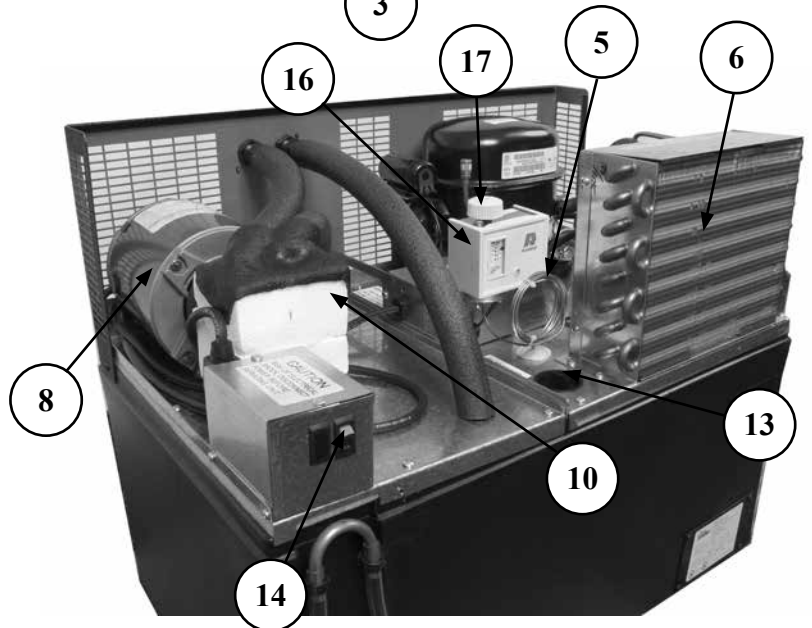
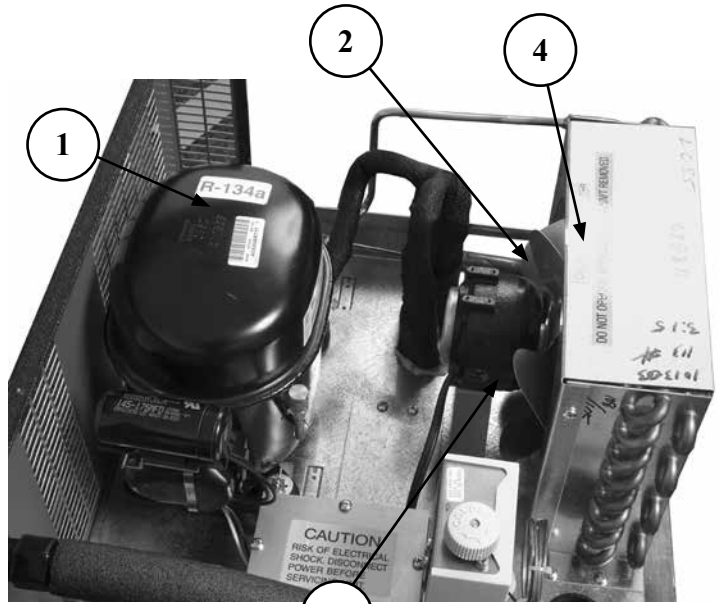
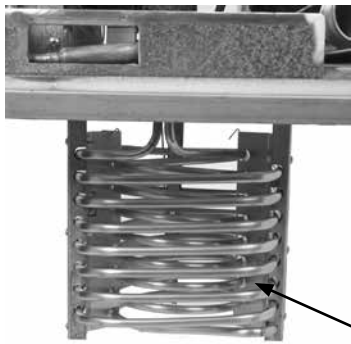
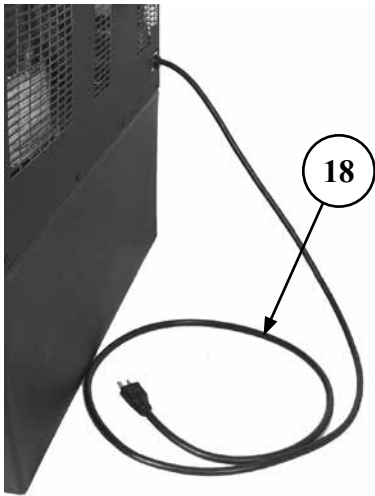




# LC65 COMPRESSOR AND RELATED PARTS



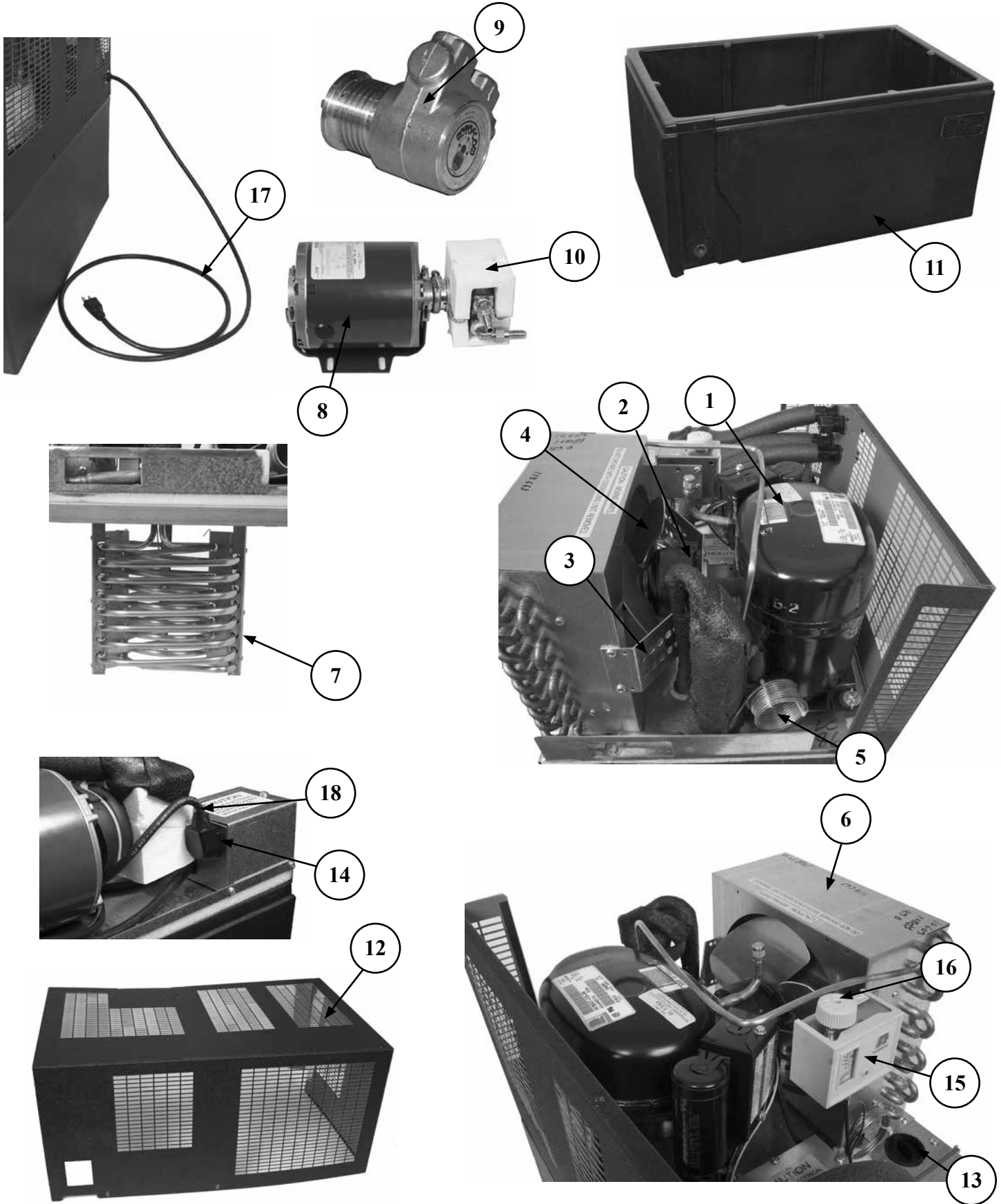
<u>PART NO.</u>	<u>OLD PART NO.</u>	<u>DESCRIPTION</u>	<u>PRICE</u>
1. 06001439	GT-035014	1/3 HP 134A Tecumseh compressor	\$435.00
2. 09000336	GT-035109	Condenser fan motor	85.00
09000483	GT-031537	Bracket, condenser fan motor mounting	4.00
3. 09000299	GT-032805	Fan blade, condenser, 3 blade	10.50
4. 09000463	GT-041306	Filter dryer, suction line accumulator, and cap tube assembly	40.00
5. 09000293	GT-032615	Condenser coil	125.00
6. 09000296	GT-032626	Evaporator	110.00
7. 09000340	GT-035119	Recirculating pump motor	350.00
8. 09000331	GT-034536	Pump, glycol, 60 gph, brass	225.00
9. 00000006	GT-031115	Clamp, recirculating pump	3.00
10. 06001595		Insulation, pump, white (set of two pieces)	9.00
11. 09000413	GT-037117	Main cabinet tank	115.00
12. 09000402	GT-036172	Cover, LC65	114.00
13. 09000420	GT-037443	Complete refrigeration deck	960.00
14. 09000436	GT-038497	Plug, black, 1 3/4" hole	.50
15. 06001412	GT-033421	Rocker switch	5.00
16. 06001409	GT-033304	Snap in receptacle	5.00
17. 09000303	GT-033207	Thermostat	160.00
18. 09000429	GT-038474	Knob, thermostat	4.00
09000261	GT-031404	Exterior power cord, 104"	20.00
19. 06001313	GT-031400	Condensing unit power cord	20.00



# LC85 COMPRESSOR AND RELATED PARTS



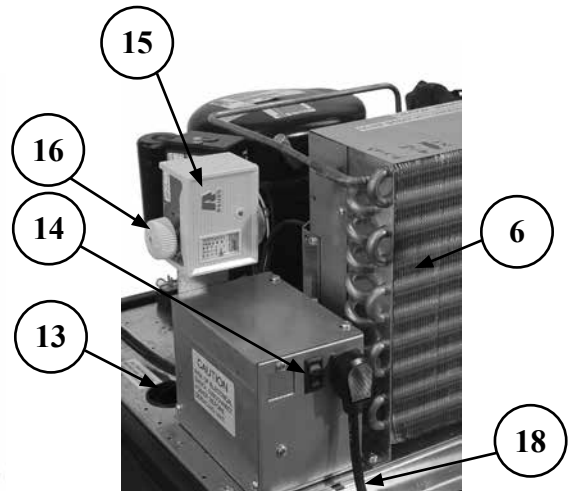
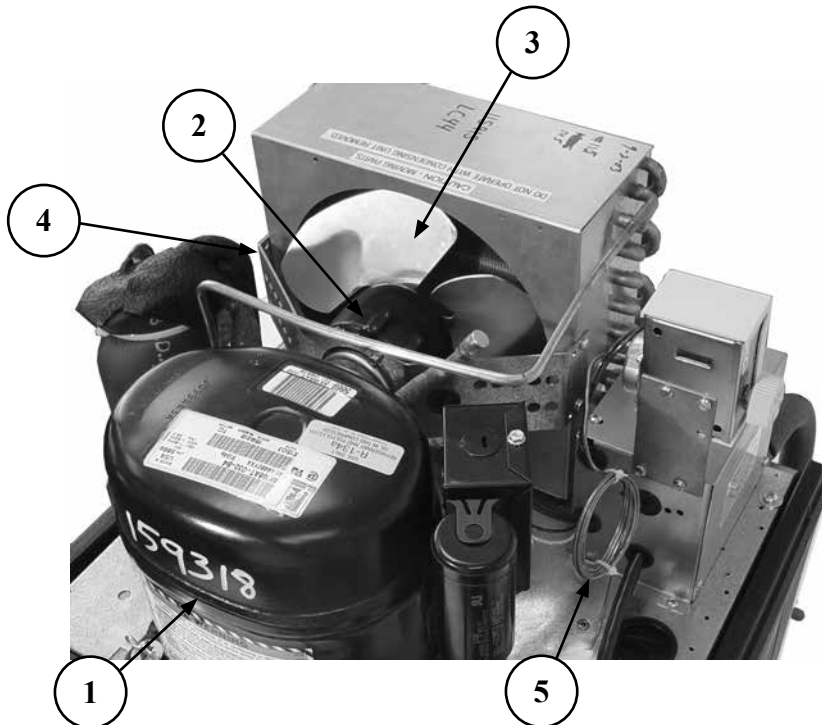
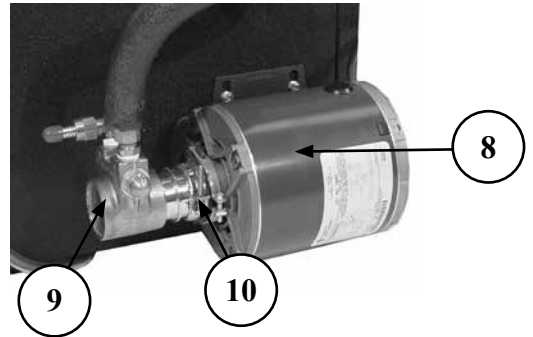
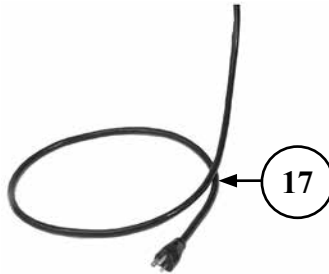
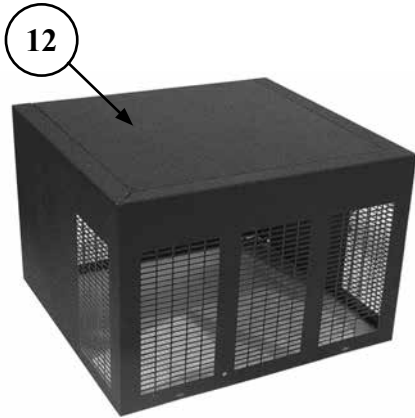
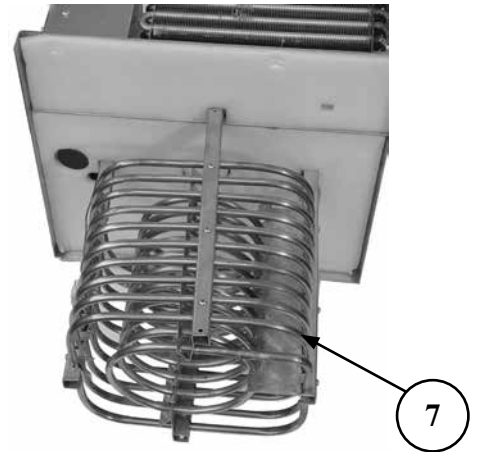
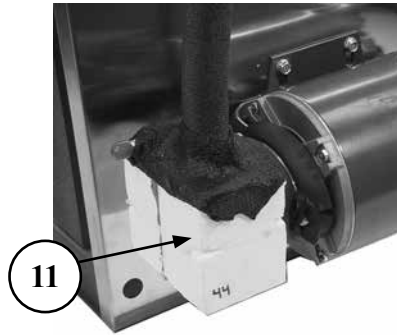
<u>PART NO.</u>	<u>OLD PART NO.</u>	<u>DESCRIPTION</u>	<u>PRICE</u>
1. 06001439	GT-035014	1/3 HP 134A Tecumseh compressor	\$435.00
2. 09000336	GT-035109	Condenser fan motor	85.00
3. 09000483	GT-031537	Bracket, condenser fan motor mounting	4.00
4. 09000299	GT-032805	Fan blade, condenser, 3 blade	10.50
5. 09000463	GT-041306	Filter dryer, suction line accumulator, and cap tube assembly	40.00
6. 09000293	GT-032615	Condenser coil	125.00
7. 09000291	GT-032598	Evaporator coil, LC 83, 84 & 85 Copper	110.00
8. 09000340	GT-035119	Recirculating pump motor	350.00
9. 09000331	GT-034536	Pump, glycol, 60 gph, brass	225.00
00000006	GT-031115	Clamp, recirculating pump	3.00
10. 06001595		Insulation, pump, white (set of two pieces)	9.00
11. 09000410	GT-037110	Main cabinet tank	130.00
12. 09000399	GT-036158	Cover, LC85	160.00
09000417	GT-037437	Complete refrigeration deck	900.00
13. 09000436	GT-038497	Plug, black, 1 3/4" hole	.50
14. 06001412	GT-033421	Rocker switch	5.00
15. 06001409	GT-033304	Snap in receptacle	5.00
16. 09000303	GT-033207	Thermostat	160.00
17. 09000429	GT-038474	Knob, thermostat	4.00
18. 09000261	GT-031404	Exterior power cord, 104"	20.00
19. 06001313	GT-031400	Condensing Unit Power Cord	20.00



# LC86 COMPRESSOR AND RELATED PARTS



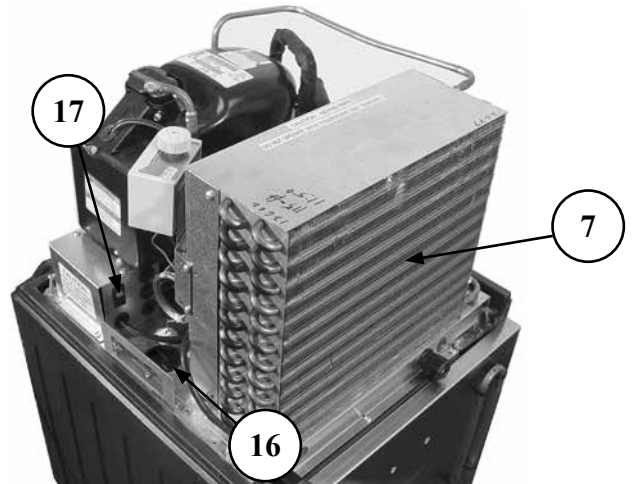
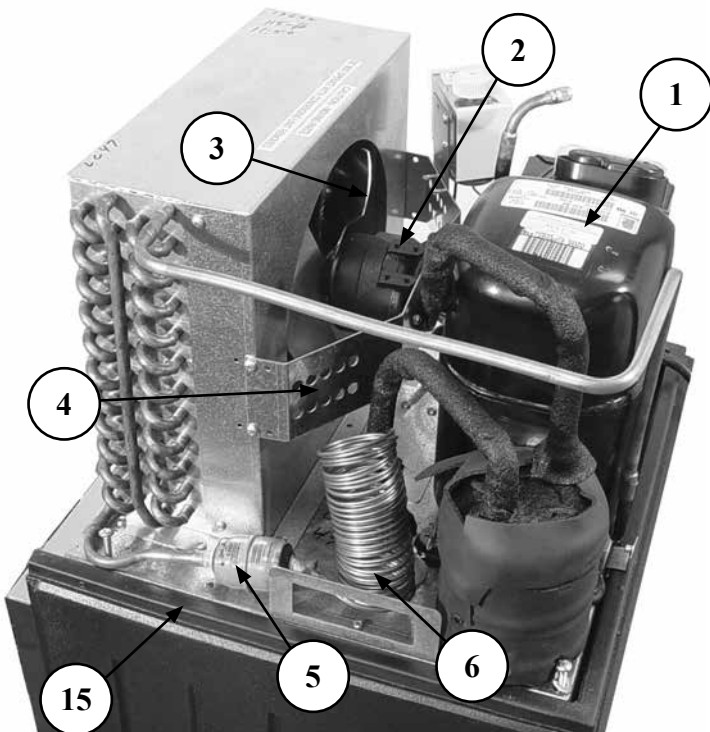
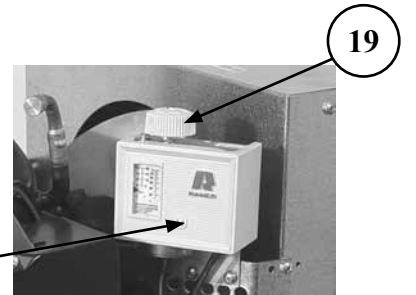
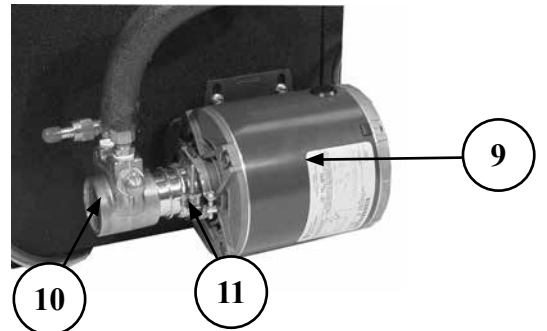
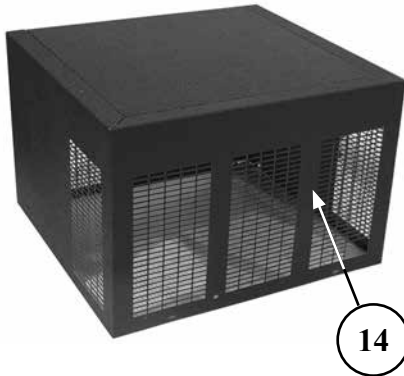
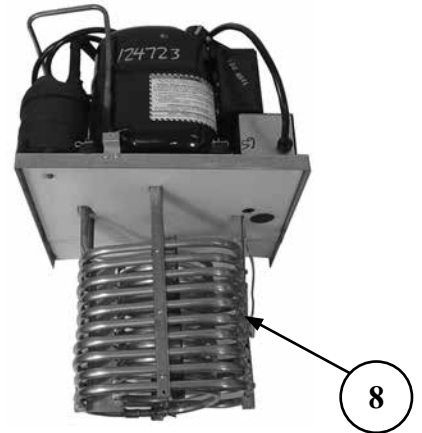
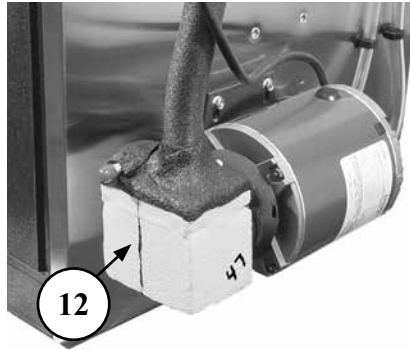
<u>PART NO.</u>	<u>OLD PART NO.</u>	<u>DESCRIPTION</u>	<u>PRICE</u>
1. 09000334	GT-035015	1/2 HP R134A Tecumseh compressor	\$720.00
2. 09000336	GT-035109	Condenser fan motor, 9w, 115v	85.00
3. 09000483	GT-031537	Bracket, condenser fan motor mounting	4.00
4. 09000299	GT-032805	Fan blade, condenser	10.50
5. 09000462	GT-041305	Filter dryer, suction line accumulator, and cap tube assembly	41.00
6. 09000293	GT-032615	Condenser coil	125.00
7. 09000290	GT-032597	Evaporator coil, copper, LC 86	220.00
8. 09000340	GT-035119	Recirculating pump motor, 1/3 hp, 115v	350.00
9. 09000331	GT-034536	Pump, glycol, 60 gph, brass	225.00
00000006	GT-031115	Clamp, recirculating pump	3.00
10. 06001595		Insulation, pump, white (set of two pieces)	9.00
11. 09000410	GT-037110	Main cabinet tank	130.00
12. 09000400	GT-036159	Cover, complete LC-86	176.00
09000421	GT-037445	Complete refrigeration deck	1350.00
13. 09000436	GT-036497	Plug, black, 1 3/4" hole	.50
06001412	GT-033421	Rocker switch	5.00
14. 06001409	GT-033304	Snap in receptacle	5.00
15. 09000303	GT-033207	Thermostat	160.00
16. 09000429	GT-038474	Knob, thermostat	4.00
17. 09000261	GT-031404	Exterior power cord, 104"	20.00
18. 06001313	GT-031400	Condensing Unit Power Cord	20.00



# LC44 COMPRESSOR AND RELATED PARTS



<u>PART NO.</u>	<u>OLD PART NO.</u>	<u>DESCRIPTION</u>	<u>PRICE</u>
1. 09000334	GT-035015	1/2 HP R134A Tecumseh compressor	\$720.00
2. 09000336	GT-035109	Condenser fan motor, 9w, 115v	85.00
3. 09000300	GT-032806	Fan blade, condenser fan motor	15.00
4. 09000483	GT-031537	Bracket, condenser fan motor mounting	4.00
5. 09000462	GT-041305	Suction line accumulator and cap tube assembly	41.00
6. 09000292	GT-032614	Condenser coil	170.00
7. 09000289	GT-032595	Evaporator coil, copper LC 44, 45	200.00
8. 09000340	GT-035119	Recirculating pump motor, 1/3hp, 115v	350.00
9. 09000331	GT-034536	Pump, glycol, 60 gph, brass	225.00
10. 00000006	GT-031115	Clamp, recirculating pump	3.00
11. 06001595		Insulation, pump, white (set of two pieces)	9.00
12. 09000396	GT-036138	Cover, Complete, LC44	143.00
13. 09000436	GT-036497	Plug, black, 1 3/4" hole	.50
14. 06001412	GT-033421	Rocker switch, 20 amp, recirc. pump	5.00
15. 09000303	GT-033207	Thermostat, LC	160.00
16. 09000429	GT-038474	Knob, thermostat	4.00
17. 09000261	GT-031404	Exterior power cord, 104"	20.00
18. 06001313	GT-031400	Condensing Unit Power Cord	20.00
19. 09000411	GT-037111	Main Cabinet Tank	280.00
09000362	GT-037439	Complete Refrigeration Deck	1650.00



# LC47 COMPRESSOR AND RELATED PARTS



<u>PART NO.</u>	<u>OLD PART NO.</u>	<u>DESCRIPTION</u>	<u>PRICE</u>
1. 09000335	GT-035020	3/4 HP R134A Tecumseh compressor	\$930.00
2. 09000337	GT-035113	Condenser fan motor	98.00
3. 09000299	GT-032805	Fan blade, condenser, 3 blade	10.50
4. 09000485	GT-031538	Bracket, condenser fan motor mounting	9.00
5. 09000285	GT-032504	Filter dryer	32.00
6. 09000286	GT-032505	Suction line accumulator, and cap tube assembly	126.00
7. 09000294	GT-032620	Condenser coil, 3/4 hp LC	221.95
8. 09000486	GT-032629	Evaporator Coil, LC47	200.00
9. 09000342	GT-035123	Recirculating pump motor	396.80
10. 09000331	GT-034536	Pump, glycol, 60 gph, brass	225.00
11. 00000006	GT-031115	Clamp, recirculating pump	3.00
12. 06001595		Insulation, pump, white (set of two pieces)	9.00
13. 09000411	GT-037111	Main cabinet tank, plastic, 4 series box	280.00
14. 09000487	GT-036175	Cover, LC47	165.00
15. 09000418	GT-037440	Complete refrigeration deck	1800.00
16. 09000436	GT-038497	Plug, black, 1 3/4" hole	.50
17. 06001412	GT-033421	Rocker switch	5.00
18. 09000303	GT-033207	Thermostat	160.00
19. 09000429	GT-038474	Knob, thermostat	4.00
20. 09000262	GT-031405	Exterior power cord, 104"	27.00

**LINE CHILLER LEG SETS****LCLS-6****MODELS LSLS-6 AND LCLS-4**

All Glastender line chillers may be placed on 4" legs that are adjustable up to 5-1/2". The leg set includes a 16 gauge galvanized steel frame plate that is sized to match the particular unit.

**LINE CHILLER STANDS****LCS-G****MODELS LCS-S AND LCS-G**

A line chiller stand is 26-1/2" wide by 39" high by 24" deep and comes with adjustable feet for leveling. The bottom shelf is at the 8" high level. The top shelf has holes that correspond to the line chiller leg set mounting holes, so the line chiller can be bolted to the shelf. One size stand is used for all line chiller models.

**LINE CHILLER WALL RACKS****LCR-G****MODELS LCR-S AND LCR-G**

A line chiller wall rack is a shelf that is mounted to a structural wall. The shelf has holes that correspond to the line chiller leg set mounting holes, so the line chiller can be bolted to the shelf. One size rack is used for all line chiller models.



**APPLICABLE TO ALL PRODUCTS SOLD WITHIN THE UNITED STATES AND CANADA**

Glastender, Inc. warrants all products to be free of defects in material and workmanship. One-year labor and parts warranty applies to all glasswashers, self-contained refrigeration models, and BDS model bottle disintegration units. In established areas, a start up is included with GT-24 and GT-30 model glasswashers. Warranty is effective for one year from the date of installation or up to 18 months from date of factory shipment, whichever occurs sooner. Glastender, Inc. will replace any part or assembly found defective under normal use and service.

For warranty labor claims beyond 15 months from the date of factory shipment, proof of date of installation or occupancy must be provided. Authorization for labor must be obtained from Glastender within the warranty period and prior to the service being performed.

Labor warranty applies to the United States and Canada only.

Remote refrigeration models and beer line chillers include a one-year parts warranty only. There is no labor warranty on these products.

Field replacement parts not covered under the original warranty include a 90-day part warranty from the date of installation.

**FOUR YEAR ADDITIONAL COMPRESSOR WARRANTY:** Glastender will warrant to the original user the compressor for all self-contained refrigeration models for an additional four years following the regular one-year warranty period. This plan applies to the compressor only.

A completed warranty claim form **MUST** accompany all returned defective parts or assemblies. Upon request, a defective part or assembly must be returned to Glastender, Inc., Saginaw, Michigan, with all transportation and delivery charges prepaid. Warranty repairs or replacements will be shipped FOB factory in Saginaw, Michigan. Reimbursement for applicable freight charges covers ground service only.

Glastender provides in-warranty repairs during a service company's regular working days and hours. There is no provision for payment of a premium rate during "overtime" hours. When warranty service is requested during other than normal working hours, the end user will be charged the premium portion of the overtime rate.

The warranty covers substantiated travel expenses for up to 2 hours / 100 miles round trip up to a maximum of \$150. Any additional costs due to installations that require extra work, time, or travel to gain access for service are the sole responsibility of the equipment purchaser. Any exceptions to these travel and access limitations must be pre-approved by a factory representative.

The warranty does not cover door gaskets, chemical tubing, pump squeeze tubing, and/or any equipment subjected to accidents, freight damage, alterations from the original design, improper power and/or plumbing hookups, improper chemical use, general misuse, or lack of routine required maintenance as determined by Glastender, Inc. Installation, normal control adjustments, general maintenance, correcting an installation error, or service calls that reveal the unit is functioning normally will not be reimbursed under warranty.

Condenser coils on self-contained refrigeration products must be cleaned regularly. Failure to provide adequate air flow to a refrigeration unit will void the warranty.

Glastender shall not be liable for loss of use, revenue, or profit, or for any other indirect, incidental, special, or consequential damage including, but not limited to, product spoilage or loss.

This warranty is conditioned upon Glastender receiving notice of any defect subject to this warranty within sixty (60) days of its discovery by the end user or dealer. All products are warranted only for the initial place of installation. Removal of a product automatically terminates this warranty.

**SECOND YEAR EXTENDED PARTS & LABOR WARRANTY:**

Glastender's one-year parts and labor warranty on self-contained refrigeration units, excluding beer line chillers, can be extended to two years with the purchase of a two year parts and labor warranty. Specify part number EWR2 (\$150 net price) when ordering.

**EXPORT WARRANTY** - One year parts only.

**EXCLUSION OF WARRANTIES**

**EXCEPT AS PROVIDED ABOVE, GLASTENDER MAKES NO WARRANTIES, EXPRESS OR IMPLIED, INCLUDING, BUT NOT LIMITED TO, ANY IMPLIED WARRANTY OF MERCHANTABILITY, FITNESS FOR A PARTICULAR PURPOSE OR NON-INFRINGEMENT.**

**LIMITATION OF REMEDIES AND DAMAGES** If Buyer makes a valid and timely claim as outlined above, Glastender's liability and Buyer's remedies under this agreement will be limited solely to labor charges authorized and/or replacement or credit, at Glastender's option, with respect to Products returned at Buyer's expense within thirty (30) days after warranty repair. **GLASTENDER'S LIABILITY WILL IN NO EVENT BE GREATER IN AMOUNT THAN THE PURCHASE PRICE OF THE RETURNED PRODUCTS. GLASTENDER WILL NOT BE LIABLE UNDER ANY CIRCUMSTANCE FOR CONSEQUENTIAL OR INCIDENTAL DAMAGES, INCLUDING, BUT NOT LIMITED TO, LABOR COSTS EXCEPT AS COVERED UNDER OUR WARRANTY, LOST PROFITS OR THE LOSS OF PERISHABLE PRODUCTS RESULTING FROM THE USE OF OR INABILITY TO USE OUR PRODUCTS OR FROM OUR PRODUCTS' INCORPORATION INTO OR BECOMING A COMPONENT OF ANY OTHER PRODUCT. NEITHER PARTY WILL HAVE ANY NEGLIGENCE OR OTHER TORT LIABILITY TO THE OTHER, OR TO ANY THIRD PARTY, ARISING FROM ANY BREACH OF THIS AGREEMENT.**

**GOVERNING LAW - JURISDICTION**

The terms and conditions of an order are to be governed and construed according to the laws of the State of Michigan, without regard to conflict of laws principles. Buyer hereby consents to the jurisdiction and venue of the courts located in Saginaw County, Michigan.

No representative, distributor, dealer, or any other person is authorized to modify this warranty. This warranty replaces all other written or verbal warranties.

**NOTE:** Glastender, Inc.'s policy of constant quality improvement means that prices, specifications, and policies are subject to change without notice. Questions regarding this warranty should be directed to Glastender's Warranty Administrator.

04-19-17

**IMPORTANT!!****Attention Service Companies**

Please review the important warranty information on this page. If you believe a service call should be covered by the factory, please call the factory for authorization between 8AM and 5PM EST, Monday through Friday.