

Parts Directory

Glastender®

A Family Company Manufacturing In The USA Since 1969

GW24 GLASSWASHER



Glastender, Inc. · 5400 North Michigan Road · Saginaw, MI · 48604-9780
800.748.0423 · 989.752.4275 · Fax 989.752.4444 · www.glastender.com



INDEX

Warranty	2
Terms and Conditions	3
Covers and Drainboard Tops	4
Interior and Exterior Components	5-6
Electrical Components	7-8
Recirculating Pump and Related Parts	9-10
Peristaltic Pump, Chemical Tubing, and Related Parts	11-12
Drive Assembly Components	13-14
Accessories	14
Plumbing Components	15-16
Recommended Spare Parts Inventory	17
Parts Order Form	18

WARRANTY STATEMENT

APPLICABLE TO ALL PRODUCTS SOLD WITHIN THE UNITED STATES AND CANADA

Glastender, Inc. warrants all products to be free of defects in material and workmanship. One-year labor and parts warranty applies to all glasswashers, self-contained refrigeration models, and BDS model bottle disintegration units. In established areas, a start up is included with GT-24 and GT-30 model glasswashers. Warranty is effective for one year from the date of installation or up to 18 months from date of factory shipment, whichever occurs sooner. Glastender, Inc. will replace any part or assembly found defective under normal use and service.

For warranty labor claims beyond 15 months from the date of factory shipment, proof of date of installation or occupancy must be provided. Authorization for labor must be obtained from Glastender within the warranty period and prior to the service being performed.

Labor warranty applies to the United States and Canada only.

Remote refrigeration models and beer line chillers include a one-year parts warranty only. There is no labor warranty on these products.

Field replacement parts not covered under the original warranty include a 90-day part warranty from the date of installation.

FOUR YEAR ADDITIONAL COMPRESSOR WARRANTY: Glastender will warrant to the original user the compressor for all self-contained refrigeration models for an additional four years following the regular one-year warranty period. This plan applies to the compressor only.

A completed warranty claim form **MUST** accompany all returned defective parts or assemblies. Upon request, a defective part or assembly must be returned to Glastender, Inc., Saginaw, Michigan, with all transportation and delivery charges prepaid. Warranty repairs or replacements will be shipped FOB factory in Saginaw, Michigan. Reimbursement for applicable freight charges covers ground service only.

Glastender provides in-warranty repairs during a service company's regular working days and hours. There is no provision for payment of a premium rate during "overtime" hours. When warranty service is requested during other than normal working hours, the end user will be charged the premium portion of the overtime rate.

The warranty covers substantiated travel expenses for up to 2 hours / 100 miles round trip up to a maximum of \$150. Any additional costs due to installations that require extra work, time, or travel to gain access for service are the sole responsibility of the equipment purchaser. Any exceptions to these travel and access limitations must be pre-approved by a factory representative.

The warranty does not cover door gaskets, chemical tubing, pump squeeze tubing, and/or any equipment subjected to accidents, freight damage, alterations from the original design, improper power and/or plumbing hookups, improper chemical use, general misuse, or lack of routine required maintenance as determined by Glastender, Inc. Installation, normal control adjustments, general maintenance, correcting an installation error, or service calls that reveal the unit is functioning normally will not be reimbursed under warranty.

Condenser coils on self-contained refrigeration products must be cleaned regularly. Failure to provide adequate air flow to a refrigeration unit will void the warranty.

Glastender shall not be liable for loss of use, revenue, or profit, or for any other indirect, incidental, special, or consequential damage including, but not limited to, product spoilage or loss.

This warranty is conditioned upon Glastender receiving notice of any defect subject to this warranty within sixty (60) days of its discovery by the end user or dealer. All products are warranted only for the initial place of installation. Removal of a product automatically terminates this warranty.

Glastender, Inc. • 5400 North Michigan Road • Saginaw, MI • 48604-9780
800.748.0423 • 989.752.4275 • Fax 989.752.4444 • www.glastender.com

SECOND YEAR EXTENDED PARTS & LABOR WARRANTY:

Glastender's one-year parts and labor warranty on self-contained refrigeration units, excluding beer line chillers, can be extended to two years with the purchase of a two year parts and labor warranty. Specify part number EWR2 (\$150 net price) when ordering.

EXPORT WARRANTY - One year parts only.

EXCLUSION OF WARRANTIES

EXCEPT AS PROVIDED ABOVE, GLASTENDER MAKES NO WARRANTIES, EXPRESS OR IMPLIED, INCLUDING, BUT NOT LIMITED TO, ANY IMPLIED WARRANTY OF MERCHANTABILITY, FITNESS FOR A PARTICULAR PURPOSE OR NON-INFRINGEMENT.

LIMITATION OF REMEDIES AND DAMAGES

If Buyer makes a valid and timely claim as outlined above, Glastender's liability and Buyer's remedies under this agreement will be limited solely to labor charges authorized and/or replacement or credit, at Glastender's option, with respect to Products returned at Buyer's expense within thirty (30) days after warranty repair. GLASTENDER'S LIABILITY WILL IN NO EVENT BE GREATER IN AMOUNT THAN THE PURCHASE PRICE OF THE RETURNED PRODUCTS. GLASTENDER WILL NOT BE LIABLE UNDER ANY CIRCUMSTANCE FOR CONSEQUENTIAL OR INCIDENTAL DAMAGES, INCLUDING, BUT NOT LIMITED TO, LABOR COSTS EXCEPT AS COVERED UNDER OUR WARRANTY, LOST PROFITS OR THE LOSS OF PERISHABLE PRODUCTS RESULTING FROM THE USE OF OR INABILITY TO USE OUR PRODUCTS OR FROM OUR PRODUCTS' INCORPORATION INTO OR BECOMING A COMPONENT OF ANY OTHER PRODUCT. NEITHER PARTY WILL HAVE ANY NEGLIGENCE OR OTHER TORT LIABILITY TO THE OTHER, OR TO ANY THIRD PARTY, ARISING FROM ANY BREACH OF THIS AGREEMENT.

GOVERNING LAW - JURISDICTION

The terms and conditions of an order are to be governed and construed according to the laws of the State of Michigan, without regard to conflict of laws principles. Buyer hereby consents to the jurisdiction and venue of the courts located in Saginaw County, Michigan.

No representative, distributor, dealer, or any other person is authorized to modify this warranty. This warranty replaces all other written or verbal warranties.

NOTE: Glastender, Inc.'s policy of constant quality improvement means that prices, specifications, and policies are subject to change without notice. Questions regarding this warranty should be directed to Glastender's Warranty Administrator.

04-19-17

IMPORTANT!!

Attention Service Companies

Please review the important warranty information on this page. If you believe a service call should be covered by the factory, please call the factory for authorization between 8AM and 5PM EST, Monday through Friday.



TERMS AND CONDITIONS

PRICES:

All prices are LIST. Applicable taxes will be added.

QUOTATIONS:

Unless otherwise stated, quotations are effective for 30 days only.

ACCEPTANCE:

All orders are subject to acceptance by Glastender, Inc.'s headquarters in Saginaw, Michigan. Possession of the Product Directory and Price List is not an offer to sell.

SHIPMENTS:

F.O.B. factory in Saginaw, Michigan. Freight terms are Third Party or Collect if shipped directly to you. Prepay and Add to Invoice freight terms are available upon request. The approximate shipping weights of all products are listed with the prices. Partial shipments will be made unless otherwise specified by the customer. Surface freight classifications are:

- GT-24/GT-30/GW24 Glasswashers - Class 175
- GT-18 Glasswashers - Class 250
- All Underbar Equipment - Class 175
- Bar Die Orders – Class 250
- Portable Bars - Class 175
- Remote refrigerators (i.e., no compressor) or dry storage back bar equipment - Class 175
- Self-contained refrigeration equipment - Class 150
- Ice Display Units (IDU and GDU) - Class 85
- Lighted Liquor Displays - Class 85
- Beer line chillers and beer towers (beverage dispensing equipment) - Class 92.5
- Bottle Disintegration System - Class 150
- Ice Cream Freezers - Class 77.5

All small items are evaluated to see the most cost effective means for shipment. Many small items ship via UPS or FedEx; however, when dimensional weight is excessive, LTL carriers are the most cost effective choice. Spare parts orders received before 1:00 PM EST can usually be shipped the same day.

The order department is happy to assist with routing or shipping questions.

PAYMENT TERMS:

Cash should be included with all orders unless credit terms have been arranged. To establish credit, banking and trade references are required. A convenient credit application is available upon request. Payment via credit card is not our normal means of receiving payment. Visa and MasterCard will be accepted, but must be charged at the time of shipment. In addition, a payment via credit card for orders totaling more than \$500 will incur a 3% convenience fee on the total transaction amount.

DELIVERY:

The majority of equipment is manufactured to order and typically ships within three to six weeks after complete order information is received by the factory. In-stock equipment typically ships within two to three days of the factory receiving complete order information.

RETURNS:

Items specified as "Manufactured to Order" are NOT returnable.

A Return Authorization number must be issued by the factory in advance for any items that are returnable. The number MUST be noted on the outside of the returned package. Returns must be received within 90 days of the issue date. Shipping charges must be prepaid. A minimum 20% restocking charge will be applied to all authorized returns if received in new, unused condition in the original packaging.

The above conditions apply to spare part returns, except spare part returns must be received within 30 days of original shipment for electronic or electrical parts or within 90 days for all other parts.

LOSS OR DAMAGE:

For customer routed shipments, Glastender, Inc. is not responsible for any loss, damage, or delay of merchandise during shipment. Such transit claims must be filed with the carrier. Merchandise must be examined on arrival. If shortages occur, Glastender, Inc. must be notified in writing within five (5) days of delivery to honor any shortage claim. Glastender will assume responsibility for freight claims on Prepay and Add shipments but the customer must inspect freight and note any damage upon receipt. Failure to do so may result in losses at the customer's expense.

CUSTOM ORDERS:

Custom orders must be paid in advance and are not subject to cancellation.

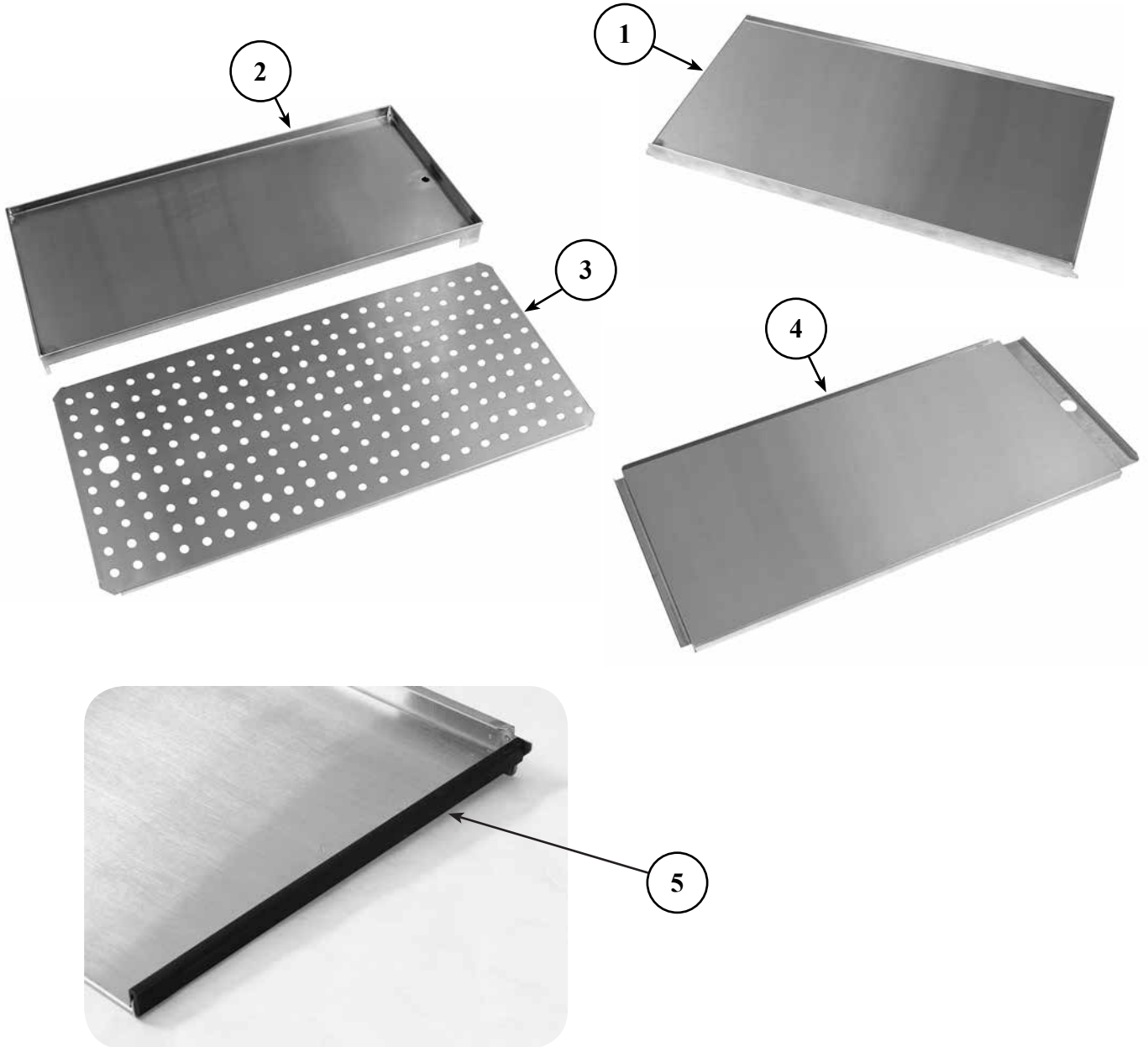
LAMINATES:

Some products include common, readily available plastic laminates of the customer's selection. There may be an additional charge if uncommon varieties are ordered.

12/14/17

COVERS AND DRAINBOARD TOPS

<u>PART NO.</u>	<u>DESCRIPTION</u>	<u>PRICE</u>
1. 01001559	Sliding cover	\$164.00
2. 01001560	Drainboard top	112.00
3. 01001440	Insert, drainboard top	53.00
4. 01001443	Inner cover	93.00
5. 01001552	Slide, plastic, sliding cover, GW24 (2 required)	7.00 ea.

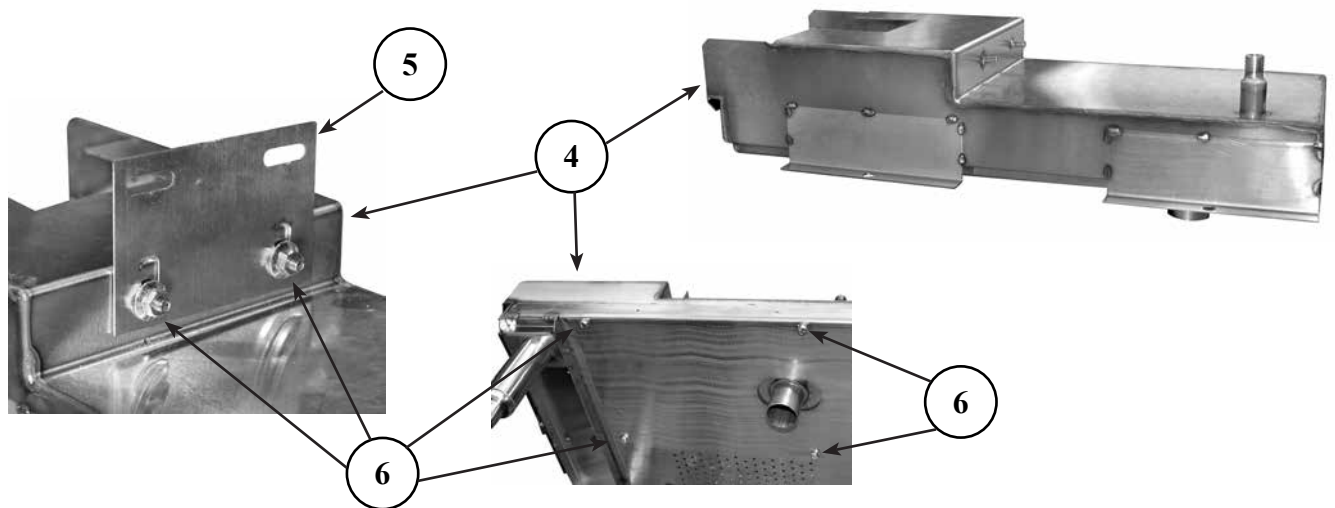


INTERIOR AND EXTERIOR COMPONENTS

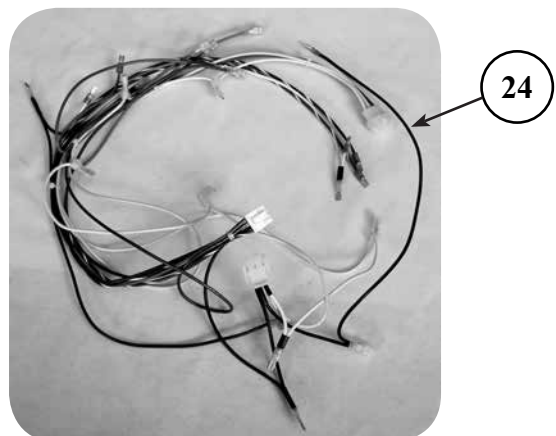
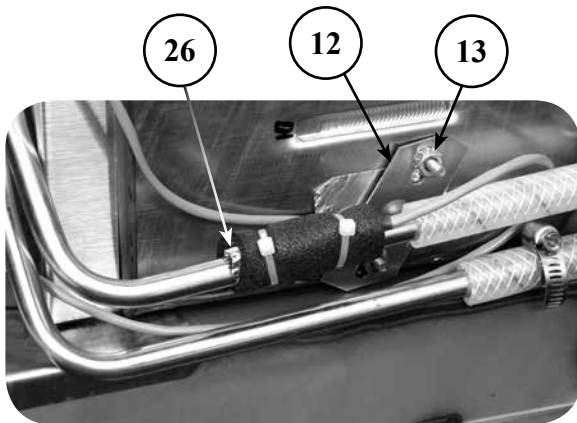
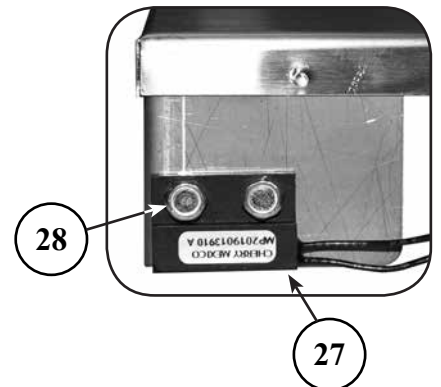
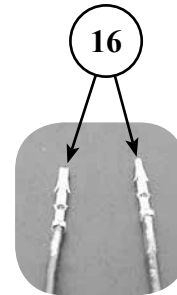
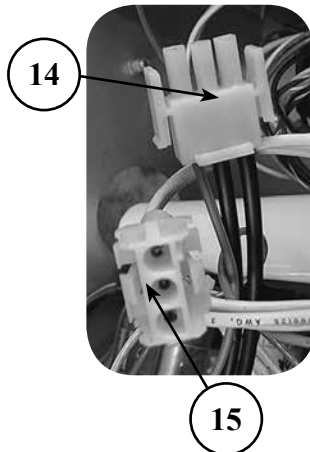
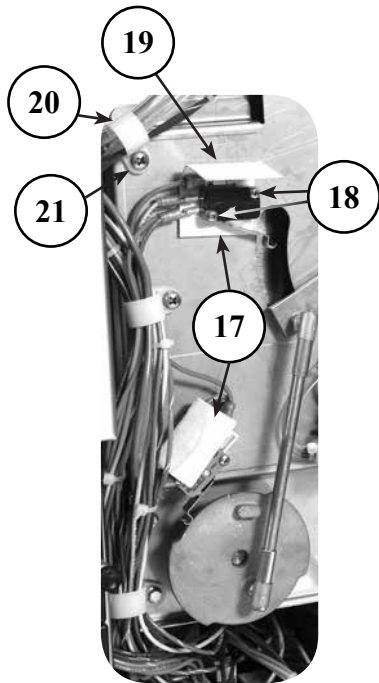
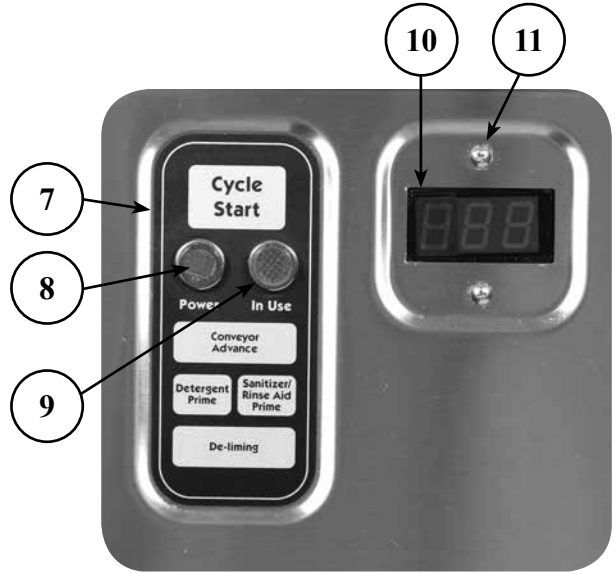
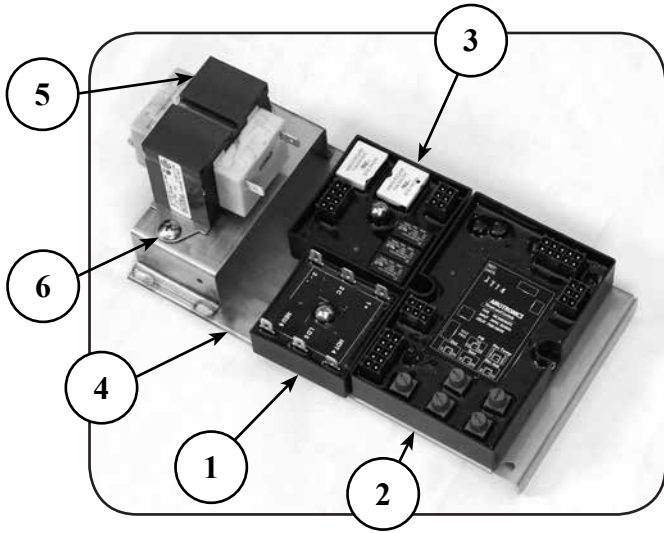


INTERIOR AND EXTERIOR COMPONENTS

<u>PART NO.</u>	<u>DESCRIPTION</u>	<u>PRICE</u>
1. 01001479	Assembly, conveyor	\$592.00
2. 01001481	Spray box	181.00
3. 01000472	Gasket, spray box	6.00
4. 01001476	Drain tank	331.00
5. 01000479	Bracket, front tank mounting	4.00
6. 00000041	Bolt, drain tank mounting, 1/4"-20x5/8", hex head (4 required)	.50 ea.
06001545	Washer, flat, drain tank mounting, 1/4"-20 (8 required)	.50 ea.
01000643	Lockwasher, split, drain tank mounting, 1/4" (8 required)	.50 ea.
7. 01000620	Nut, drain tank mounting, overflow channel cover mounting, 1/4"-20, zinc	.50
8. 01001413	Cover, overflow channel	23.00
9. 01001435	Cover, drain tank mist	12.00
10. 00000153	Screw, phillips pan head, 10x1/2, SS (1 required)	2.00
11. 01001475	Tank, complete (includes all welded components)	2,218.00
12. 01001482	Floor assembly	539.00
13. 01001470	Panel, right side	93.00
14. 01001462	Panel, left, upper	79.00
15. 01001460	Front panel drain side	92.00
16. 01001474	Access panel	102.00
17. 01001451	Switch panel (does not include 01001464 membrane switch panel)	71.00
18. 00000153	Screw, phillips pan head, 10x1/2, SS (11 required)	2.00
19. 00000061	Screw, 10-32 x 1-1/4", phillips, round head, zinc (3 required)	.50 ea.
20. 00000039	Screw, 10-32 x 3/8", phillips, trusshead, SS (2 required)	.50 ea.



ELECTRICAL COMPONENTS



ELECTRICAL COMPONENTS

PART NO.	DESCRIPTION	PRICE
1. 01001408	Soft start module	\$135.00
2. 01001406	Main control module	395.00
3. 01001407	Relay module	125.00
4. 01001561	Electrical panel	67.00
5. 01000556	Transformer, primary - 120 VAC, secondary - 24 VAC, 40VA	56.00
6. 00000039	Screw, transformer mounting, 10-32 x 3/8" phillips TH, MS, SS (2 required)	.50 ea.
7. 01001464	Switch panel membrane	190.00
8. 01000592	Light, green, 125VAC [.591 or .592?]	10.00
9. 07000171	Red In Use light	10.00
10. 01000606	Gauge, digital temperature, with probe	145.00
11. 01001534	Screw, phillips truss head, 4-40x1" (2 required)	2.00
01000618	Nut, 4-40, temperature gauge mounting (2 required)	.50 ea.
12. 01000741	Retaining plate, temperature gauge sensor probe	2.00
13. 00000026	Nut, retaining plate, star, #6	.50
01000641	Washer, retaining plate, star, #6	.50
14. 01000669	Plug, three wire	1.00
15. 01000547	Receptacle, three wire	1.00
16. 01000670	Plug, solderless terminal	.50
01000473	Power cord, 8' with grounded plug	15.00
17. 01000553	Switch, drain motor cam (2 required)	10.00 ea.
18. 00000040	Screw, drain motor cam switch mounting 4-40 x 1", PPH, MS, SS (4 required)	.50 ea.
19. 07000259	Switch insulator (2 required)	1.50 ea.
20. 00000001	Clamp, cable, white nylon, 5/8" (6 required)	.50 ea.
21. 00000153	Screw, phillips pan head (6 required)	2.00
22. 01001425	Wire harness, jumper	35.00
23. 01001424	Wire harness, chemical pump	40.00
24. 01001426	Wire harness, power	120.00
25. 01001427	Wire harness, switch panel	115.00
26. 01001544	Probe, temperature sensor for main control module	30.00
27. 01001429	Actuator, magnetic	11.00
28. 00000076	Bolt, 8-32 x 1/2", hex head (2 required)	.50 ea.



25

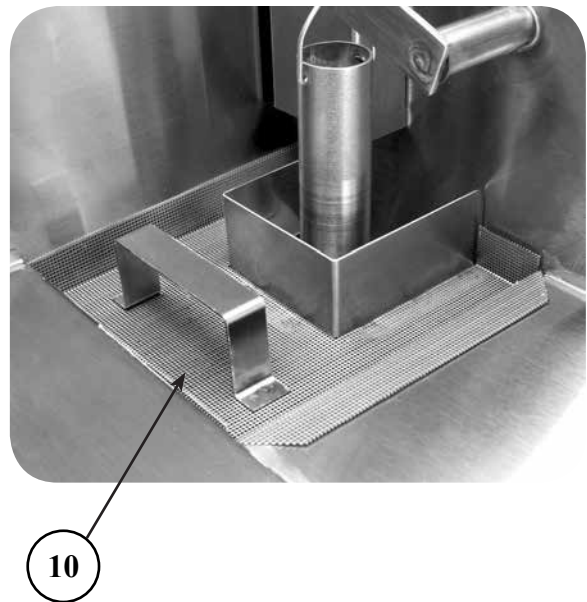
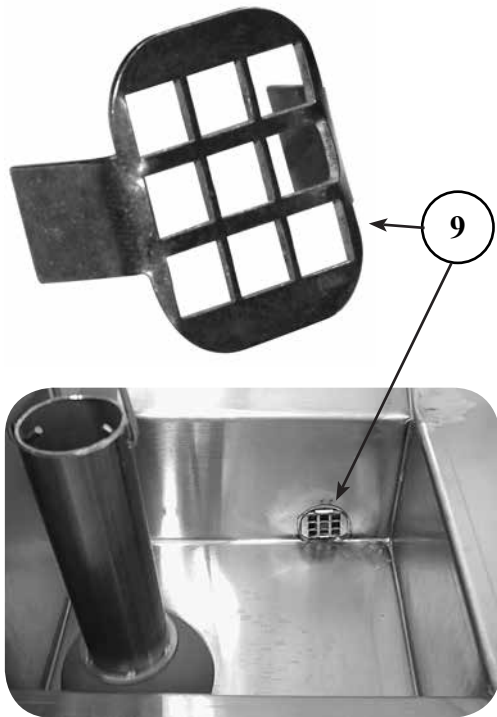
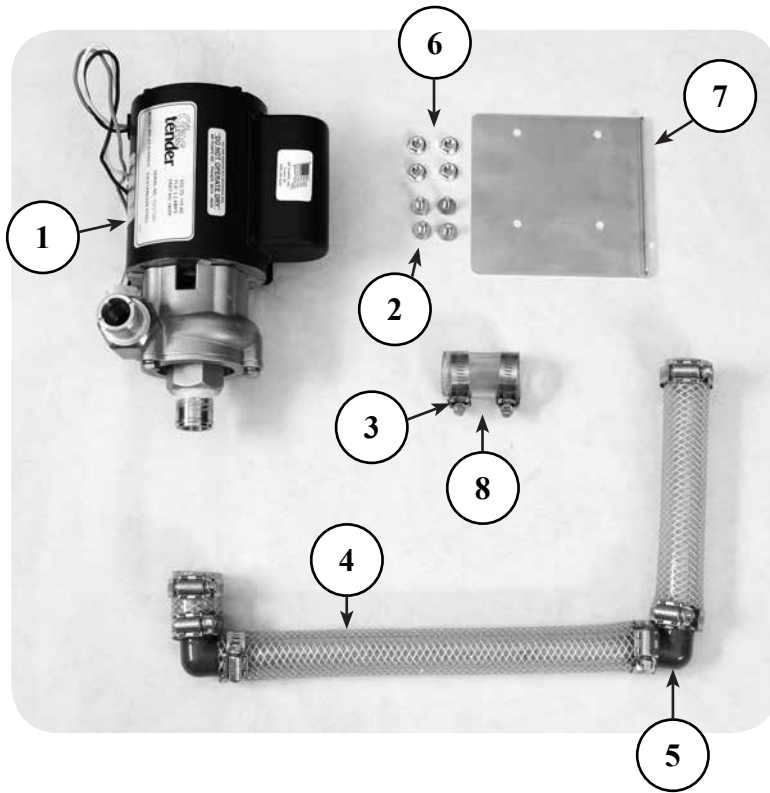


22



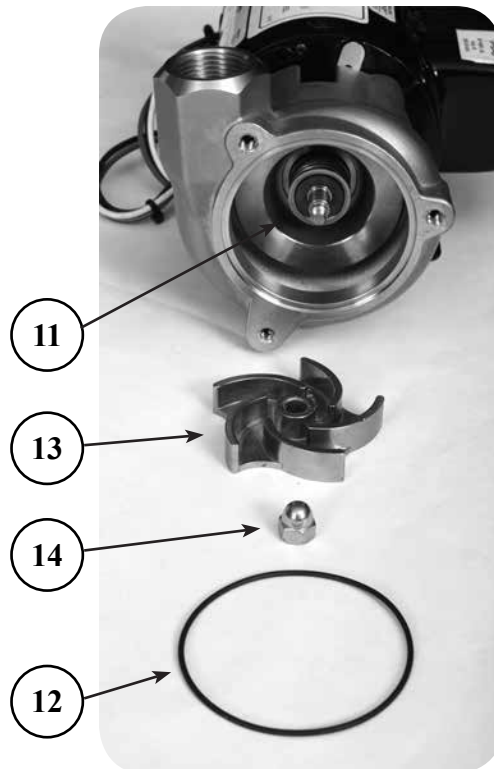
23

RECIRCULATING PUMP AND RELATED PARTS

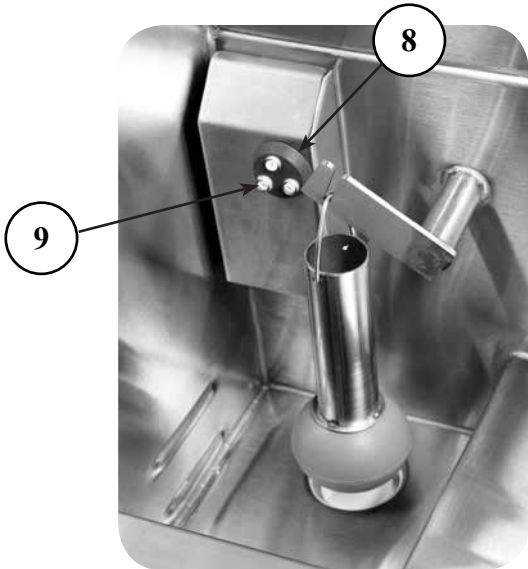
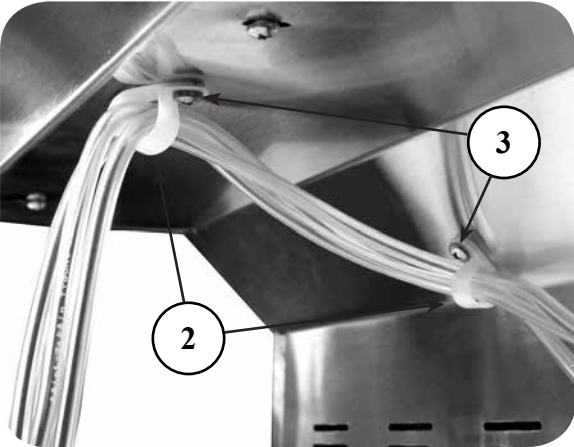
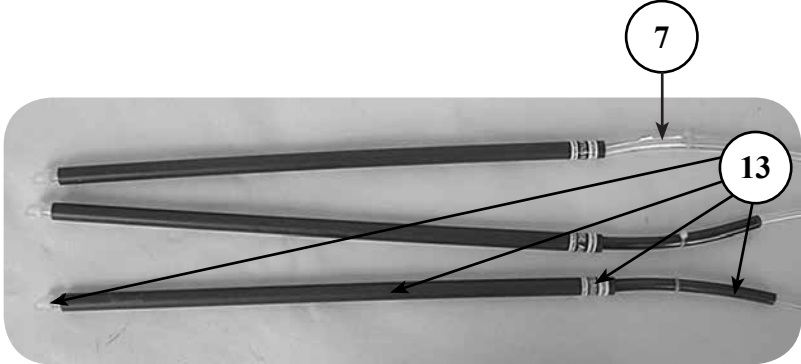
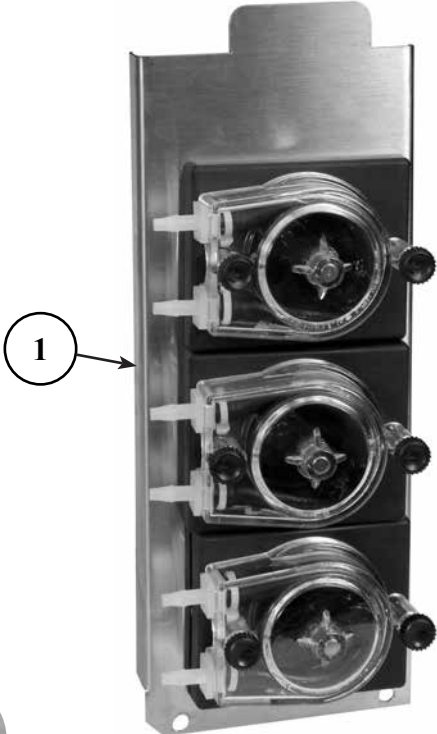
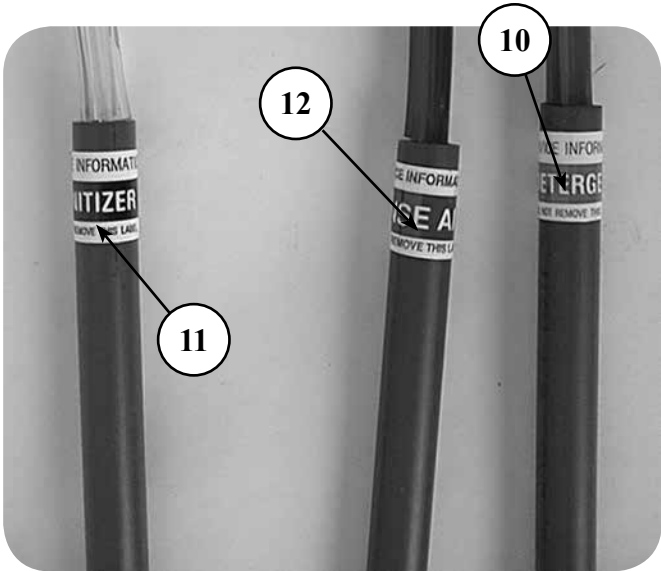


RECIRCULATING PUMP AND RELATED PARTS

<u>PART NO.</u>	<u>DESCRIPTION</u>	<u>PRICE</u>
01001529	Pump kit, water recirculating (including items 1 - 8)	\$717.00
01001553	Mounting kit (including items 2 - 8)	57.00
1. 01000415	Pump, water recirculating, all stainless construction	660.00
2. 00000038	Screw, 1/4"-20x1/2" phillips truss head (4 required)	2.00
3. 00000000	Clamp, hose (8 required)	1.00 ea.
4. 00000015	Hose, 1" ID x 1-1/4" OD x 1/8" (2 ft. required)	8.00 per ft.
5. 01000906	Elbow, grey plastic high pressure braid (2 required)	4.00 ea.
6. 01000623	Nut, 1/4-20, Large Flange Serrated Nut (4 required)	.50 ea.
7. 01000154	Bracket, pump	18.00
8. 06001468	Hose, 1"ID x 1-1/4"OD x 1/8" (3 inches required)	5.00 per ft.
9. 01000676	Screen, inlet pump	24.00
10. 01001512	Screen, tank	72.00
11. 01000851	Shaft seal	50.00
12. 01000854	O-ring	5.00
13. 01000852	Impeller	42.00
14. 01000853	Acorn nut	3.00

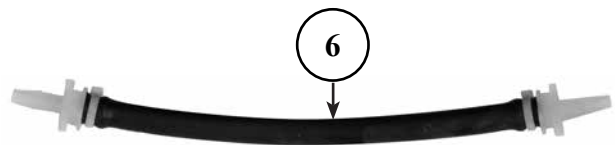
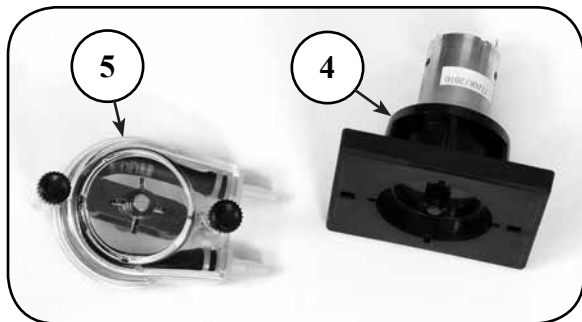


PERISTALTIC PUMP, CHEMICAL TUBING, AND RELATED PARTS

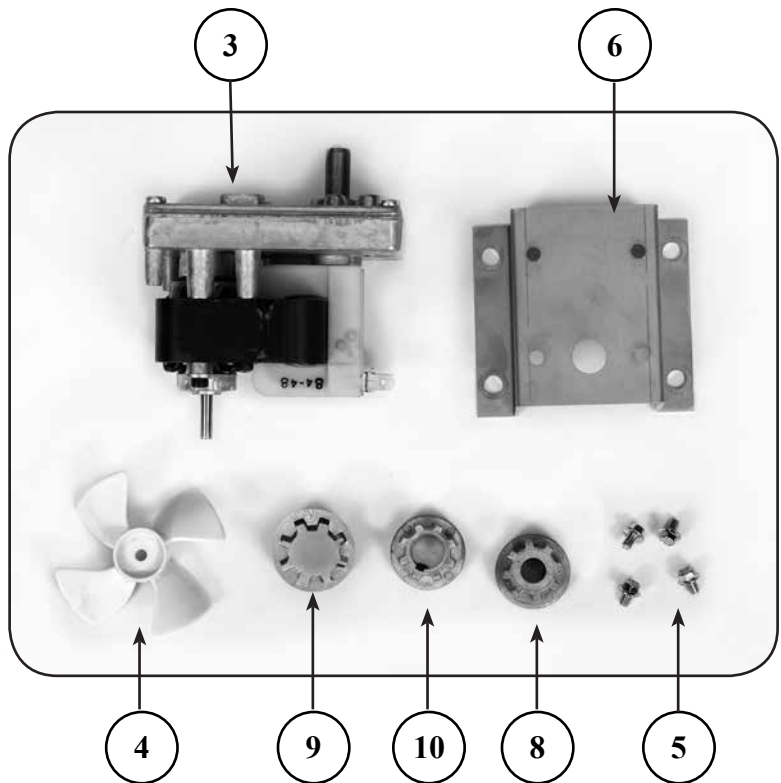
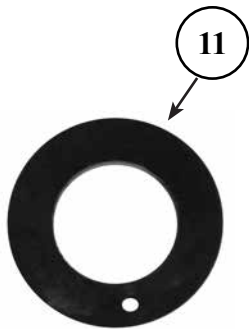
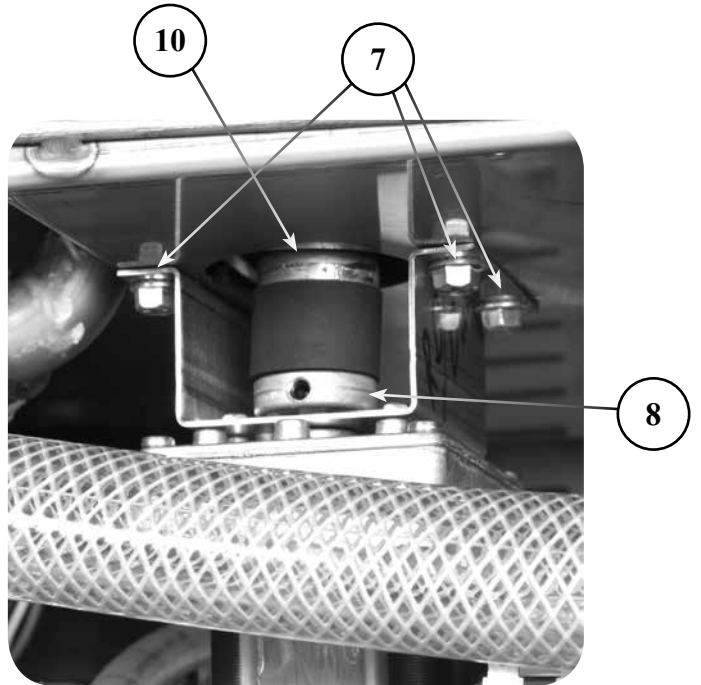
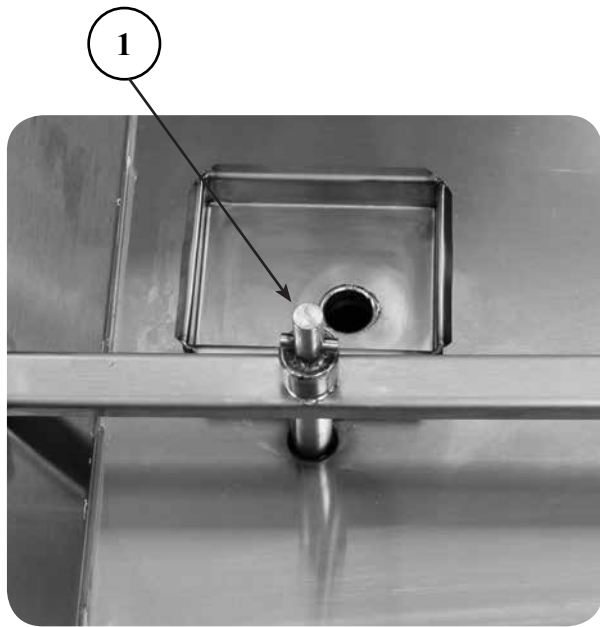


PERISTALTIC PUMP, CHEMICAL TUBING, AND RELATED PARTS

<u>PART NO.</u>	<u>DESCRIPTION</u>	<u>PRICE</u>
01001558	Pump complete, triple, beta with tubing assemblies	\$591.00
01000570	Pump complete, triple, beta LESS tubing assemblies	521.00
1. 01001450	Pump panel	25.00
2. 00000001	Clamp, cable white nylon, 5/8" ID (2 required)	.50 ea.
3. 00000153	Screw, phillips, pan head, 10x1/2" (4 required)	2.00
4. 01000596	Motor, drive, peristaltic pump	105.00
5. 01000571	Pump cartridge kit, detergent, sanitizer, or rinse aid, with fittings 1/8" ID	125.00
01000572	Pump cartridge and motor assembly, detergent, sanitizer, or rinse aid (consists of 01000571 Pump cartridge kit and 01000596 Motor, drive, peristaltic pump)	222.00
01001241	Pump cartridge kit, peristaltic pump (no tubing)	85.00
6. 01000692	Pump tube, detergent, sanitizer, or rinse aid, with fittings 1/8" ID	35.00
7. 01000517	Tubing, clear, 1/8" ID x 1/4" OD (per foot)	3.00
8. 01000739	Grommet, three hole, rubber (chemical inlet)	12.00
9. 01001520	Inlet, detergent, sanitizer, or rinse aid, 1/8" x 1/8"	2.00
10. 01000485	Decal, detergent	1.00
11. 01000486	Decal, sanitizer	1.00
12. 01000489	Decal, rinse aid	1.00
13. 01001554	Tubing, assembly, lower, detergent (consists of 01000485, 01000517 [5' length], 01001514 chemical pick up, and 01000601 tubing support)	20.00
01001555	Tubing, assembly, lower, sanitizer (consists of 01000486, 01000517 [5' length}, 010001514 chemical pick up, and 01000601 tubing support)	20.00
01001556	Tubing, assembly, lower, rinse aid (consists of 01000489, 01000517 [5' length], 01001514 chemical pick up, and 01000601 tubing support)	20.00
01001557	Tubing, assembly, upper (consists of (3) 01000517 [4' length], (3) 01001520, and 01000739)	28.00



DRIVE ASSEMBLY COMPONENTS

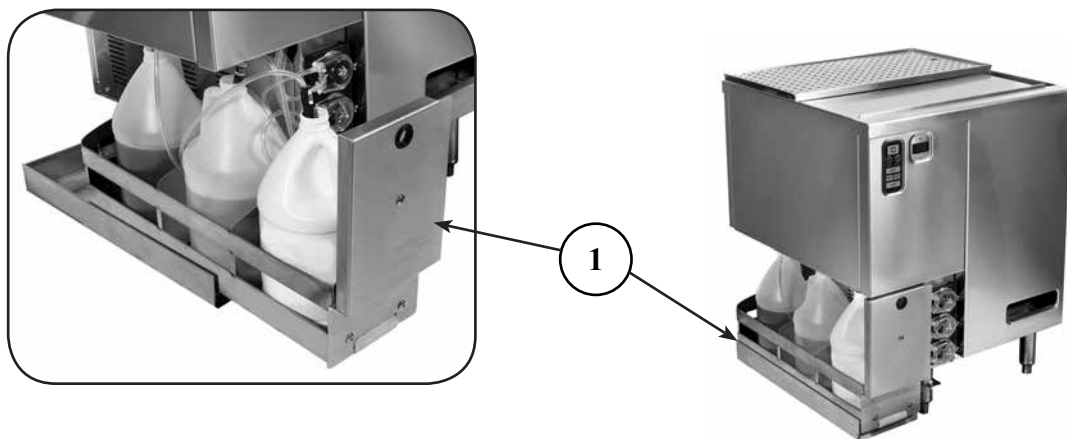


DRIVE ASSEMBLY COMPONENTS

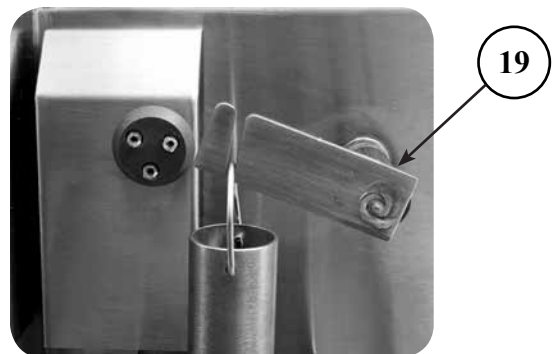
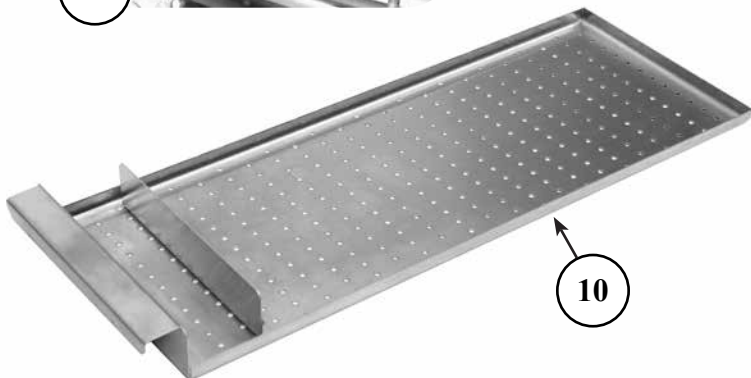
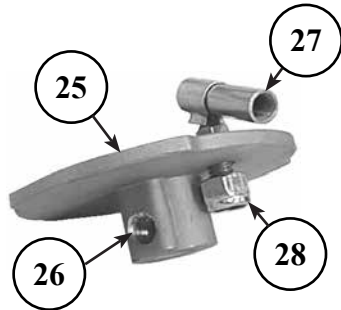
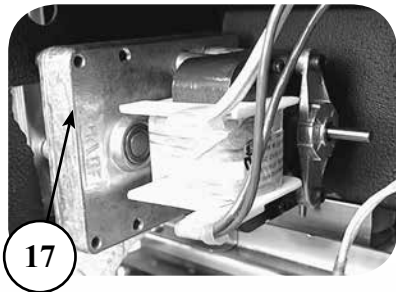
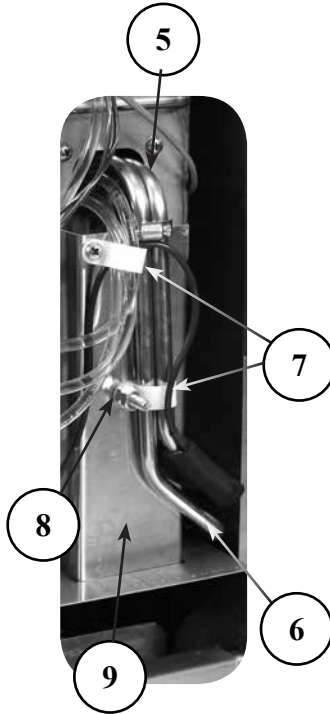
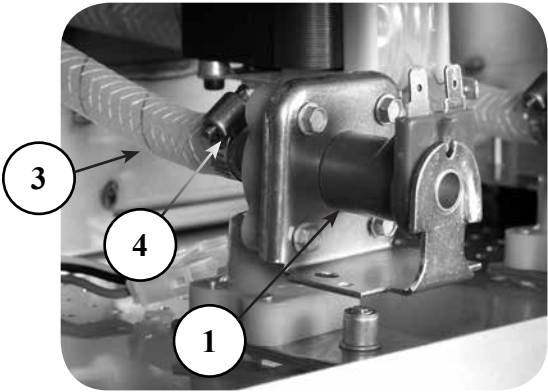
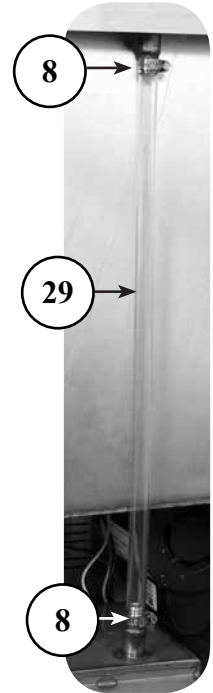
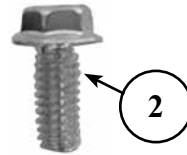
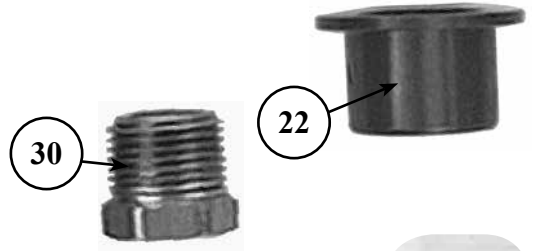
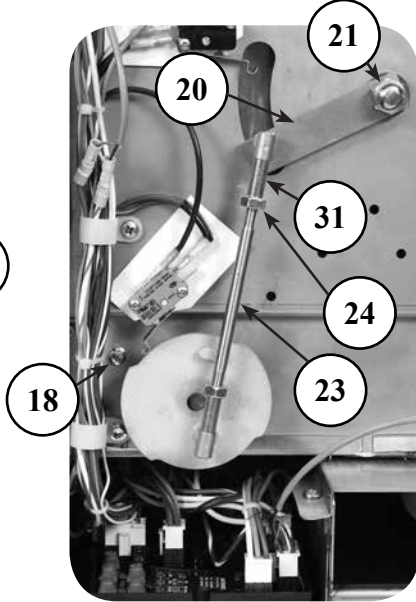
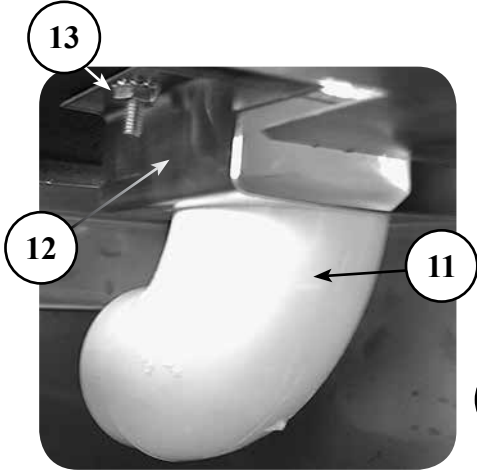
<u>PART NO.</u>	<u>DESCRIPTION</u>	<u>PRICE</u>
1. 01001478	Drive shaft	\$27.00
2. 01000671	Bearing, flange (2 required)	3.00 ea.
3. 01000595	Drive motor, drive wheel, 10 RPM (same as drain stopper)	190.00
4. 01000531	Fan blade, drive motor	3.00
01001590	Fan blade, drive motor, black, REX	3.00
5. 00000035	Screw, drive motor mounting, 8-32 x 1/4" hex washer head (4 required) [attaches motor to motor mount]	.50 ea.
6. 01001473	Bracket, motor mounting	20.00
7. 00000041	Bolt, 1/4"-20 x 5/8", hex washer head (4 required) [attaches motor mount to tank]	.50 ea.
8. 01000956	Hub, flexible shaft coupling, 3/8" bore, motor side	7.00
9. 01000957	Sleeve, flexible shaft coupling	11.00
10. 01000958	Hub, flexible shaft coupling, 1/2" bore, drive shaft side	8.00
11. 01001468	Bearing, thrust, drive shaft (1 required)	9.00

ACCESSORIES

<u>PART NO.</u>	<u>DESCRIPTION</u>	<u>PRICE</u>
1. 01001500	Chemical bottle rack, slide out	450.00



PLUMBING COMPONENTS



PLUMBING COMPONENTS

<u>PART NO.</u>	<u>DESCRIPTION</u>	<u>PRICE</u>
1. 01000561	Valve, water inlet	\$55.00
2. 00000041	Bolt, water inlet valve mounting, 1/4"-20 x 5/8", HWH	.50
3. 01000617	Hose, nylon braider, water inlet (per foot)	1.60 per ft.
4. 01000468	Clamp, hose, water inlet (6 required)	1.00 ea.
5. 01001523	Water line, hot	48.00
6. 01001524	Water line, cold	48.00
7. 00000005	Clamp, cable, white nylon, 1/2" (2 required)	.50 ea.
8. 01000620	Nut, cable clamp, 1/4", zinc	.50
9. 01001461	Cover, water inlet	23.00
10. 01001563	Assembly, screen, drain tank	76.00
11. 01000771	PVC, drain elbow, white, 1-1/2" IPS	6.00
12. 01000478	Bracket, drain elbow	3.00
13. 00000026	Nut, 8-32, drain elbow bracket	.50
01000642	Lockwasher, star, large, drain elbow bracket, #10	.50
14. 01000768	Drain stopper stem with hanger, stainless steel	34.00
15. 01000767	Drain stopper ball, grey rubber, reversible	45.00
16. 01000691	Drain stopper assembly (consists of 01000768 and 01000767)	71.00
17. 01000595	Drive motor, drain stopper, 10 RPM (same as drive wheel)	190.00
01001590	Fan blade, drive motor, black, REX	3.00
18. 00000035	Screw, drive motor mounting, 8-32 x 1/4" (4 required)	.50 ea.
19. 01001562	Assembly, drain linkage arm	43.00
20. 01000904	Motor linkage	24.00
21. 01000619	Locknut, motor linkage mounting, 7/16"-14, nylon insert, zinc	.50
22. 01000671	Bearing, flange (2 required)	3.00
23. 01001513	Linkage rod	24.00
24. 00000017	Nut, linkage rod, 1/4"-28, zinc (2 required)	.50
25. 01001248	Cam, drain motor	20.00
26. 00000024	Screw, set, cam mounting, 5/16"-18 x 1/2"	.50
27. 01000775	Ball joint assembly	7.00
28. 01000621	Locknut, ball joint assembly mounting, 1/4"-28, hex head, nylon insert	.50
29. 06001345	Tubing, vinyl, clear drain line, 1/2" ID x 5/8" OD per foot (2 required)	1.45 ea.

ACCESSORIES

<u>PART NO.</u>	<u>DESCRIPTION</u>	<u>PRICE</u>
30. 01000600	Adapter, water inlet valve, 1/4" MPT to 3/8" FMPT	5.00

RECOMMENDED SPARE PARTS INVENTORY

<u>PART NO.</u>	<u>DESCRIPTION</u>	<u>PRICE</u>
01000472	Gasket, spray box	\$6.00
01001464	Switch, membrane panel	190.00
01001408	Soft start module	135.00
01001406	Main control module	395.00
01001407	Relay module	125.00
01000606	Gauge, digital temperature, with probe	145.00
01000556	Transformer, primary-120 VAC, secondary-24 VAC	56.00
01000553	Switch, drain motor cam (2 required)	10.00
01000415	Pump, water recirculating, all stainless construction with impellers, 115, w/ fittings* (*2-01001306)	660.00
01000571	Pump cartridge kit, detergent, sanitizer, or rinse aid, pump tube with fittings, 1/8" ID, 1/4" OD	125.00
01000692	Pump tube, detergent, sanitizer, or rinse aid, with fittings 1/8" ID	35.00
01001554	Tubing, assembly, lower, detergent (consists of: 01000485, 01000517 [6' length], 01000526, and 01000601)	20.00
01001555	Tubing, assembly, lower, sanitizer (consists of: 01000486, 01000517 [6' length], 01000526, and 01000601)	20.00
01001556	Tubing, assembly, lower, rinse aid (consists of: 01000489, 01000517 [6' length], 01000526, and 01000601)	20.00
01001557	Tubing, assembly, upper (consists of: (3) 01000517 [3' length], (3) 01000602, and 01000739)	28.00
01000595	Drive motor, drive wheel or drainstopper, 10 RPM	190.00
01001590	Fan blade, drive motor, black, REX	3.00
01000561	Valve, water inlet	55.00
01000957	Sleeve, flexible shaft coupling	11.00

Parts Order Form

	Ship Via	
Date: _____	Ground _____	Regarding: _____
	NDA _____	Model #: _____
Company: _____	2 Day _____	Serial #: _____
Contact: _____	Other _____	If glasswasher:
Customer #: _____		Voltage: ___ 208 ___ 240
Phone #: _____		Rotation: ___ CW ___ CCW
Fax #: _____		

Bill to:	Ship to:	Special instructions:
_____	_____	_____
_____	_____	_____
_____	_____	_____
_____	_____	_____
_____	_____	_____

	Quantity	Part number	Description	Price
1.	_____	_____	_____	_____
2.	_____	_____	_____	_____
3.	_____	_____	_____	_____
4.	_____	_____	_____	_____
5.	_____	_____	_____	_____
6.	_____	_____	_____	_____
7.	_____	_____	_____	_____
8.	_____	_____	_____	_____
9.	_____	_____	_____	_____
10.	_____	_____	_____	_____
11.	_____	_____	_____	_____
12.	_____	_____	_____	_____
13.	_____	_____	_____	_____
14.	_____	_____	_____	_____
15.	_____	_____	_____	_____

