

PARTS DIRECTORY

Glas tender®

**GT-18, GT-18+1, GT-18+1L,
GT-18+1R, GT-18+2, GT-18+2-IC**

GLASSWASHERS (Manufactured after October 1, 1994 with motor driven drain stopper)



GT-18+2



GT-18

Glastender, Inc. · 5400 North Michigan Road · Saginaw, MI · 48604-9780
800.748.0423 · 989.752.4275 · Fax 989.752.4444 · www.glastender.com

Terms and Conditions	1	Peristaltic Pump, Chemical Tubing, and Related Parts	13-14
Warranty	2	Drive Assembly Components	15-16
Interior and Exterior Components	3-4	Plumbing Components	17-18
Tops and Curtains	5-6	Recommended Spare Parts Inventory	19
Electrical Components	7-8	Parts Order Form	20
Recirculating Pump and Related Parts	9-12		

TERMS AND CONDITIONS

PRICES:

All prices are LIST. Applicable taxes will be added.

QUOTATIONS:

Unless otherwise stated, quotations are effective for 30 days only.

ACCEPTANCE:

All orders are subject to acceptance by Glastender, Inc.'s headquarters in Saginaw, Michigan. Possession of the Product Directory and Price List is not an offer to sell.

SHIPMENTS:

F.O.B. factory in Saginaw, Michigan. Freight terms are Third Party or Collect if shipped directly to you. Prepay and Add to Invoice freight terms are available upon request. The approximate shipping weights of all products are listed with the prices. Partial shipments will be made unless otherwise specified by the customer. Surface freight classifications are:

- GT-24/GT-30/GW24 Glasswashers - Class 175
- GT-18 Glasswashers - Class 250
- All Underbar Equipment - Class 175
- Bar Die Orders – Class 250
- Portable Bars - Class 175
- Remote refrigerators (i.e., no compressor) or dry storage back bar equipment - Class 175
- Self-contained refrigeration equipment - Class 150
- Ice Display Units (IDU and GDU) - Class 85
- Lighted Liquor Displays - Class 85
- Beer line chillers and beer towers (beverage dispensing equipment) - Class 92.5
- Bottle Disintegration System - Class 150
- Ice Cream Freezers - Class 77.5

All small items are evaluated to see the most cost effective means for shipment. Many small items ship via UPS or FedEx; however, when dimensional weight is excessive, LTL carriers are the most cost effective choice. Spare parts orders received before 1:00 PM EST can usually be shipped the same day.

The order department is happy to assist with routing or shipping questions.

PAYMENT TERMS:

Cash should be included with all orders unless credit terms have been arranged. To establish credit, banking and trade references are required. A convenient credit application is available upon request. Payment via credit card is not our normal means of receiving payment. Visa and

MasterCard will be accepted, but must be charged at the time of shipment. In addition, a payment via credit card for orders totaling more than \$500 will incur a 3% convenience fee on the total transaction amount.

DELIVERY:

The majority of equipment is manufactured to order and typically ships within three to six weeks after complete order information is received by the factory. In-stock equipment typically ships within two to three days of the factory receiving complete order information.

RETURNS:

Items specified as “Manufactured to Order” are NOT returnable.

A Return Authorization number must be issued by the factory in advance for any items that are returnable. The number MUST be noted on the outside of the returned package. Returns must be received within 90 days of the issue date. Shipping charges must be prepaid. A minimum 20% restocking charge will be applied to all authorized returns if received in new, unused condition in the original packaging.

The above conditions apply to spare part returns, except spare part returns must be received within 30 days of original shipment for electronic or electrical parts or within 90 days for all other parts.

LOSS OR DAMAGE:

For customer routed shipments, Glastender, Inc. is not responsible for any loss, damage, or delay of merchandise during shipment. Such transit claims must be filed with the carrier. Merchandise must be examined on arrival. If shortages occur, Glastender, Inc. must be notified in writing within five (5) days of delivery to honor any shortage claim. Glastender will assume responsibility for freight claims on Prepay and Add shipments but the customer must inspect freight and note any damage upon receipt. Failure to do so may result in losses at the customer's expense.

CUSTOM ORDERS:

Custom orders must be paid in advance and are not subject to cancellation.

LAMINATES:

Some products include common, readily available plastic laminates of the customer's selection. There may be an additional charge if uncommon varieties are ordered.

12/14/17

WARRANTY STATEMENT



APPLICABLE TO ALL PRODUCTS SOLD WITHIN THE UNITED STATES AND CANADA

Glastender, Inc. warrants all products to be free of defects in material and workmanship. One-year labor and parts warranty applies to all glasswashers, self-contained refrigeration models, and BDS model bottle disintegration units. In established areas, a start up is included with GT-24 and GT-30 model glasswashers. Warranty is effective for one year from the date of installation or up to 18 months from date of factory shipment, whichever occurs sooner. Glastender, Inc. will replace any part or assembly found defective under normal use and service.

For warranty labor claims beyond 15 months from the date of factory shipment, proof of date of installation or occupancy must be provided. Authorization for labor must be obtained from Glastender within the warranty period and prior to the service being performed.

Labor warranty applies to the United States and Canada only.

Remote refrigeration models and beer line chillers include a one-year parts warranty only. There is no labor warranty on these products.

Field replacement parts not covered under the original warranty include a 90-day part warranty from the date of installation.

FOUR YEAR ADDITIONAL COMPRESSOR WARRANTY: Glastender will warrant to the original user the compressor for all self-contained refrigeration models for an additional four years following the regular one-year warranty period. This plan applies to the compressor only.

A completed warranty claim form **MUST** accompany all returned defective parts or assemblies. Upon request, a defective part or assembly must be returned to Glastender, Inc., Saginaw, Michigan, with all transportation and delivery charges prepaid. Warranty repairs or replacements will be shipped FOB factory in Saginaw, Michigan. Reimbursement for applicable freight charges covers ground service only.

Glastender provides in-warranty repairs during a service company's regular working days and hours. There is no provision for payment of a premium rate during "overtime" hours. When warranty service is requested during other than normal working hours, the end user will be charged the premium portion of the overtime rate.

The warranty covers substantiated travel expenses for up to 2 hours / 100 miles round trip up to a maximum of \$150. Any additional costs due to installations that require extra work, time, or travel to gain access for service are the sole responsibility of the equipment purchaser. Any exceptions to these travel and access limitations must be pre-approved by a factory representative.

The warranty does not cover door gaskets, chemical tubing, pump squeeze tubing, and/or any equipment subjected to accidents, freight damage, alterations from the original design, improper power and/or plumbing hookups, improper chemical use, general misuse, or lack of routine required maintenance as determined by Glastender, Inc. Installation, normal control adjustments, general maintenance, correcting an installation error, or service calls that reveal the unit is functioning normally will not be reimbursed under warranty.

Condenser coils on self-contained refrigeration products must be cleaned regularly. Failure to provide adequate air flow to a refrigeration unit will void the warranty.

Glastender shall not be liable for loss of use, revenue, or profit, or for any other indirect, incidental, special, or consequential damage including, but not limited to, product spoilage or loss.

This warranty is conditioned upon Glastender receiving notice of any defect subject to this warranty within sixty (60) days of its discovery by the end user or dealer. All products are warranted only for the initial place of installation. Removal of a product automatically terminates this warranty.

SECOND YEAR EXTENDED PARTS & LABOR WARRANTY:

Glastender's one-year parts and labor warranty on self-contained refrigeration units, excluding beer line chillers, can be extended to two years with the purchase of a two year parts and labor warranty. Specify part number EWR2 (\$150 net price) when ordering.

EXPORT WARRANTY - One year parts only.

EXCLUSION OF WARRANTIES

EXCEPT AS PROVIDED ABOVE, GLASTENDER MAKES NO WARRANTIES, EXPRESS OR IMPLIED, INCLUDING, BUT NOT LIMITED TO, ANY IMPLIED WARRANTY OF MERCHANTABILITY, FITNESS FOR A PARTICULAR PURPOSE OR NON-INFRINGEMENT.

LIMITATION OF REMEDIES AND DAMAGES

If Buyer makes a valid and timely claim as outlined above, Glastender's liability and Buyer's remedies under this agreement will be limited solely to labor charges authorized and/or replacement or credit, at Glastender's option, with respect to Products returned at Buyer's expense within thirty (30) days after warranty repair. GLASTENDER'S LIABILITY WILL IN NO EVENT BE GREATER IN AMOUNT THAN THE PURCHASE PRICE OF THE RETURNED PRODUCTS. GLASTENDER WILL NOT BE LIABLE UNDER ANY CIRCUMSTANCE FOR CONSEQUENTIAL OR INCIDENTAL DAMAGES, INCLUDING, BUT NOT LIMITED TO, LABOR COSTS EXCEPT AS COVERED UNDER OUR WARRANTY, LOST PROFITS OR THE LOSS OF PERISHABLE PRODUCTS RESULTING FROM THE USE OF OR INABILITY TO USE OUR PRODUCTS OR FROM OUR PRODUCTS' INCORPORATION INTO OR BECOMING A COMPONENT OF ANY OTHER PRODUCT. NEITHER PARTY WILL HAVE ANY NEGLIGENCE OR OTHER TORT LIABILITY TO THE OTHER, OR TO ANY THIRD PARTY, ARISING FROM ANY BREACH OF THIS AGREEMENT.

GOVERNING LAW - JURISDICTION

The terms and conditions of an order are to be governed and construed according to the laws of the State of Michigan, without regard to conflict of laws principles. Buyer hereby consents to the jurisdiction and venue of the courts located in Saginaw County, Michigan.

No representative, distributor, dealer, or any other person is authorized to modify this warranty. This warranty replaces all other written or verbal warranties.

NOTE: Glastender, Inc.'s policy of constant quality improvement means that prices, specifications, and policies are subject to change without notice. Questions regarding this warranty should be directed to Glastender's Warranty Administrator.

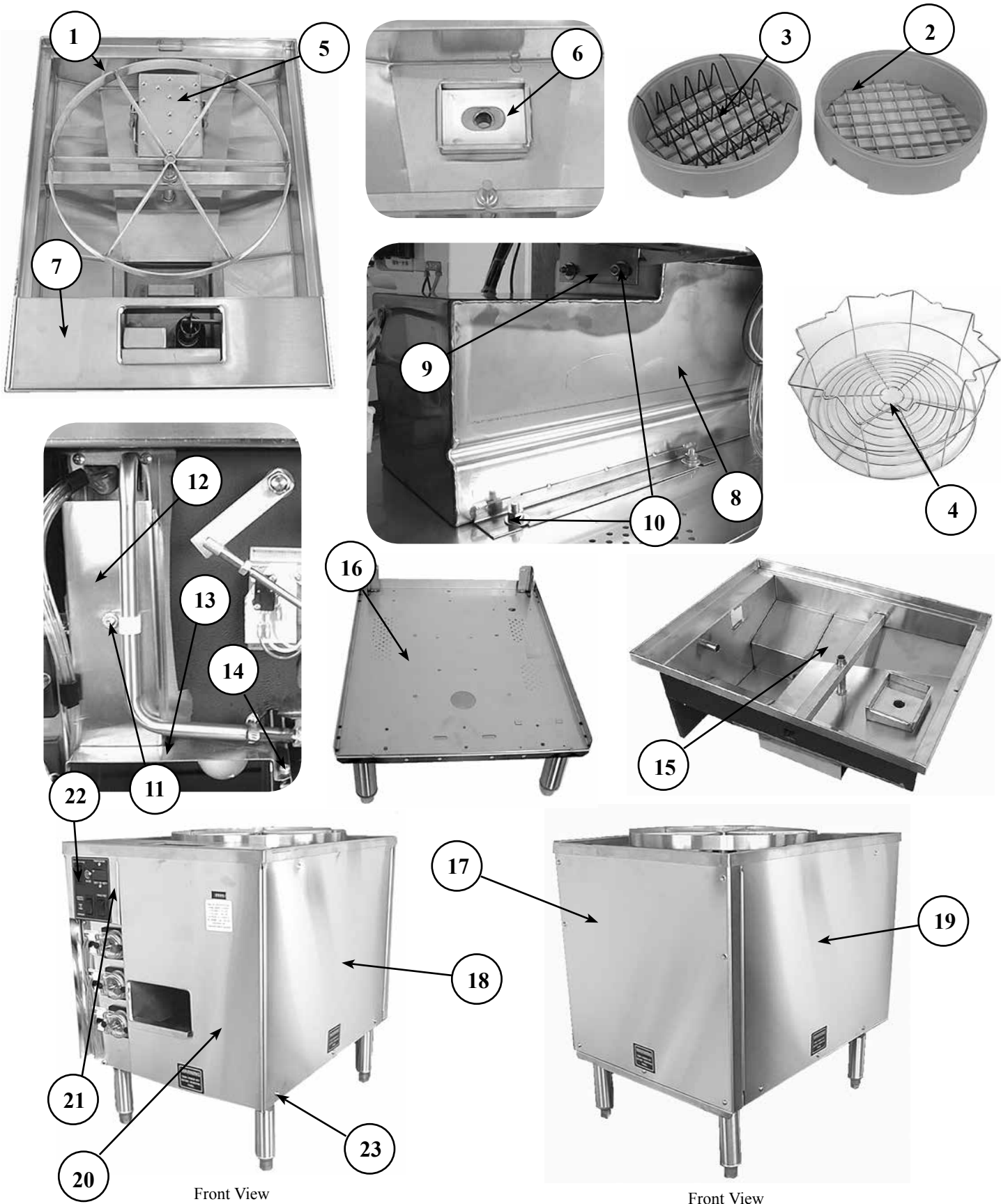
04-19-17

IMPORTANT!!

Attention Service Companies

Please review the important warranty information on this page. If you believe a service call should be covered by the factory, please call the factory for authorization between 8AM and 5PM EST, Monday through Friday.

INTERIOR AND EXTERIOR COMPONENTS



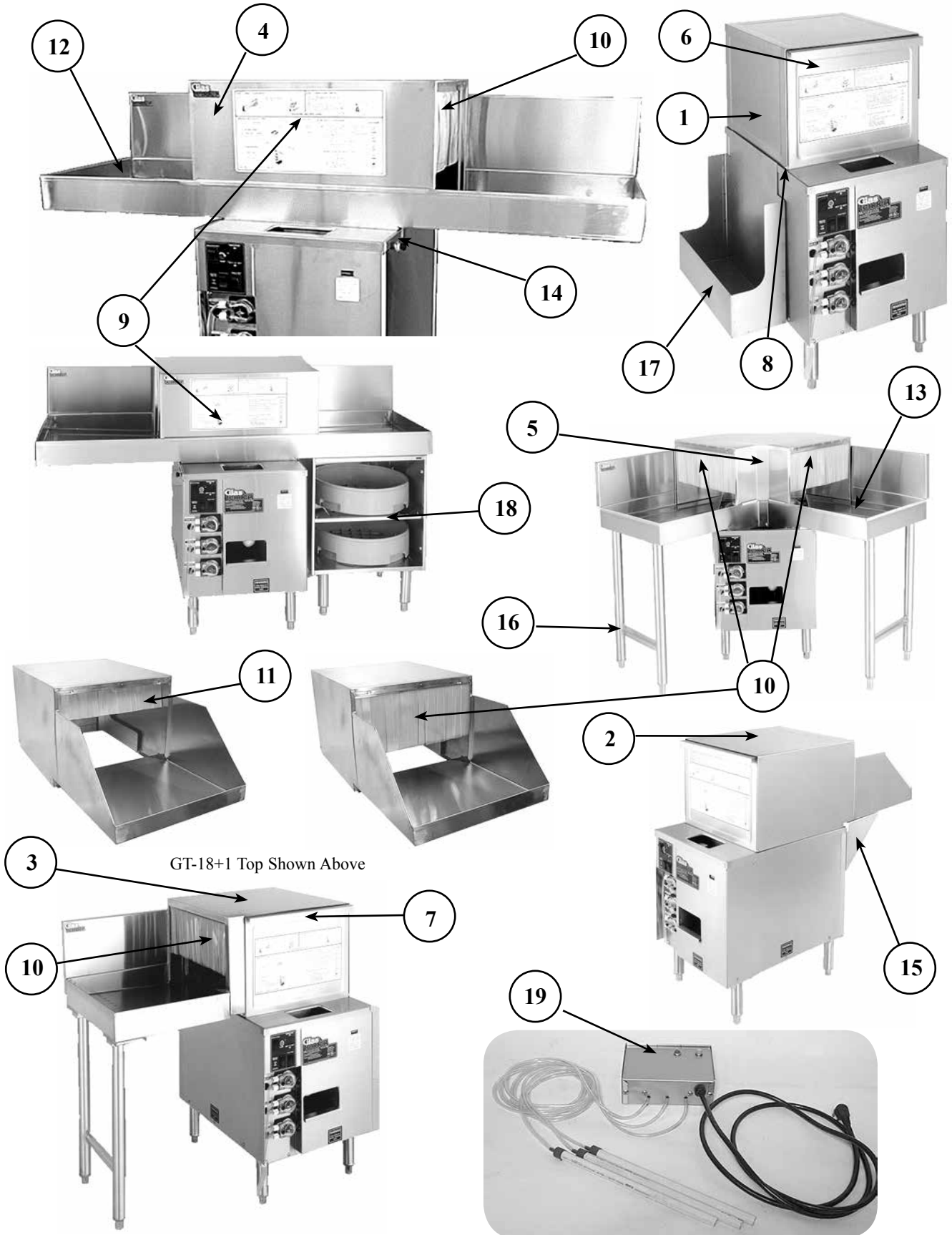
Front View

Front View

INTERIOR AND EXTERIOR COMPONENTS



<u>PART NO.</u>	<u>OLD PART NO.</u>	<u>DESCRIPTION</u>	<u>PRICE</u>
1. 01000567	GT-034404	Drive wheel	\$66.00
2. 01000532	GT-032900	Rack, glass	52.00
3. 01000533	GT-032901	Rack, dish	96.00
4. 01000536	GT-032911	Glass rack insert for stemware	135.00
5. 01000667	GT-036509	Spray box	156.00
6. 01000472	GT-031306	Gasket, spray box	6.00
7. 01000530	GT-032305	Guard, splash, GT-18, GT-18+1, GT-18+2	48.00
01000319		Guard, splash, GT-18+1L, GT-18+1R	48.00
8. 01000683	GT-037109	Drain tank	270.00
9. 01000479	GT-031510	Bracket, front tank mounting	4.00
10. 00000041	GT-038746	Bolt, drain tank mounting, 1/4"-20 x 5/8", hex head (4 required)	.50
06001545	GT-037008	Washer, flat, drain tank mounting, 1/4"-20 (8 required)	.50
01000643	GT-036003	Lockwasher, split, drain tank mounting, 1/4" (8 required)	.50
11. 01000620	GT-035711	Nut, drain tank mounting, overflow channel cover mounting, 1/4"-20, zinc	.50
12. 01000646	GT-036145	Cover, overflow channel	15.00
13. 01000647	GT-036146	Cover, drain tank mist	12.00
14. 00000030	GT-038728	Screw, drain tank mist cover, drill kwik, 10 x 1/2"	1.00
15. 01000682	GT-037108	Tank, complete (includes all welded components)	1,215.00
16. 01000705	GT-037706	Floor	240.00
17. 01000625	GT-035800	Panel, back	90.00
18. 01000626	GT-035801	Panel, right side	90.00
19. 01000627	GT-035802	Panel, left side	90.00
20. 01000640	GT-035819	Panel, front	72.00
21. 01000639	GT-035818	Panel, switch (decal not included)	36.00
22. 01001233		Decal, switch panel (after 09/14)	15.00
01000499	GT-031636	Decal, switch panel (prior to 09/14)	15.00
23. 00000031	GT-038729	Screw, exterior, back and side panels, 10-24 x 1/2", PPH, SMS, 410 SS (9 required)	1.00
00000039	GT-038744	Screw, exterior, switch and front panel, 10-32 x 3/8", phillips, TH, MS (4 required)	.50
01000641	GT-036000	Washer, star, #6	.50
00000026	GT-035701	Nut, switch panel mounting, 8-32	.50



GT-18+1 Top Shown Above

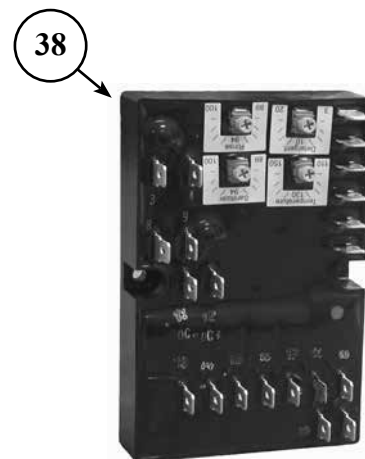
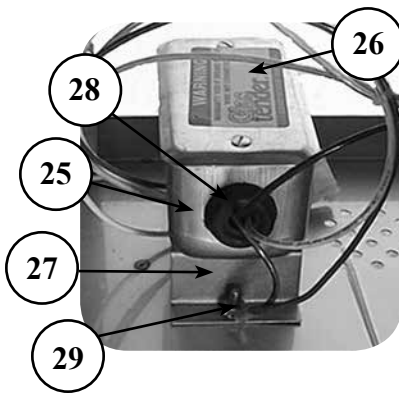
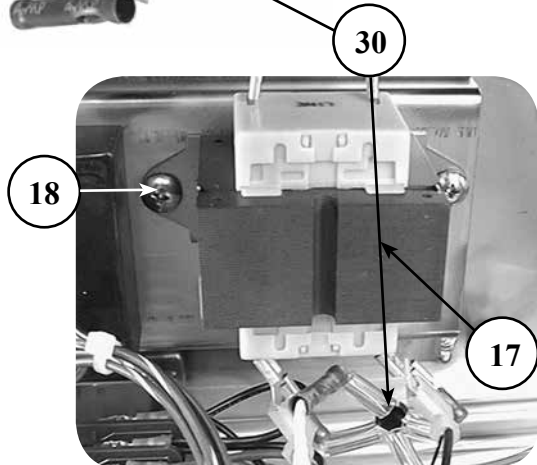
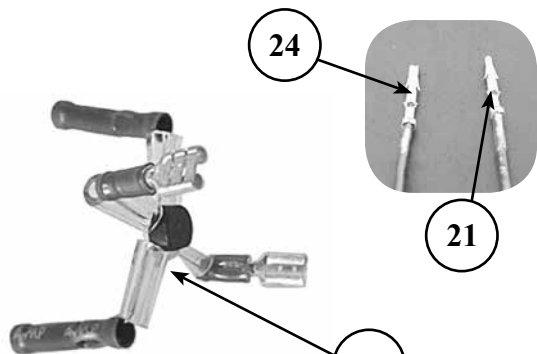
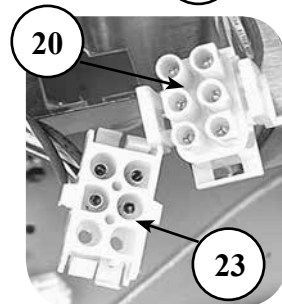
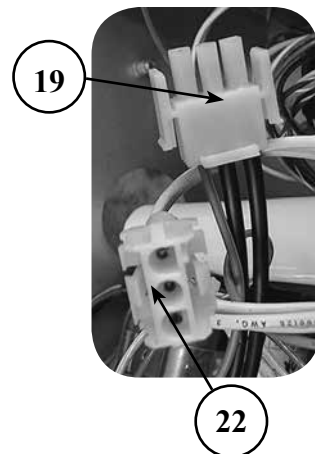
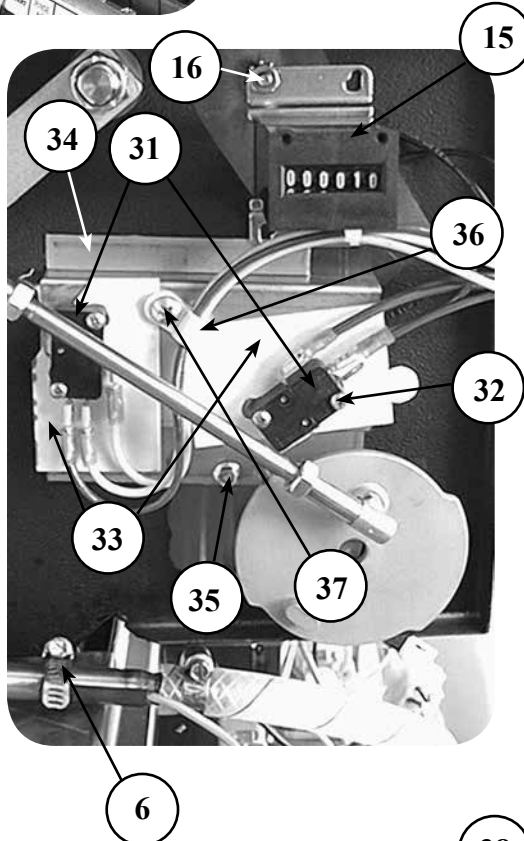
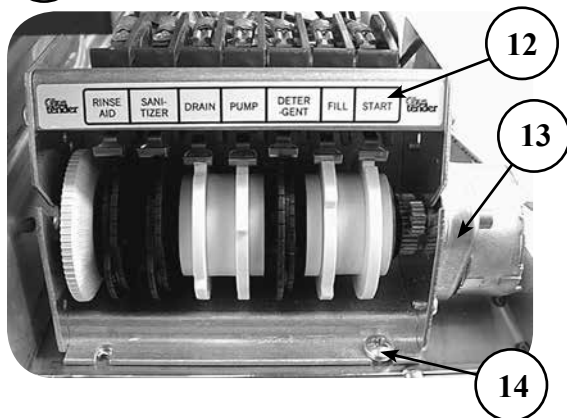
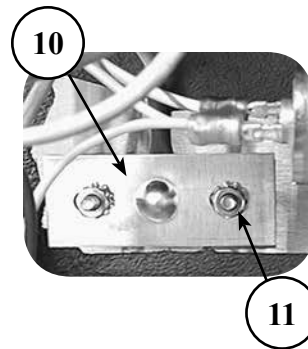
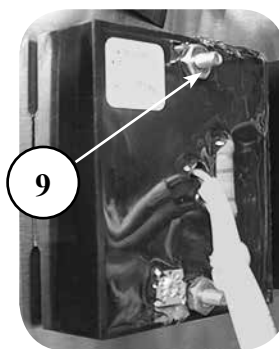
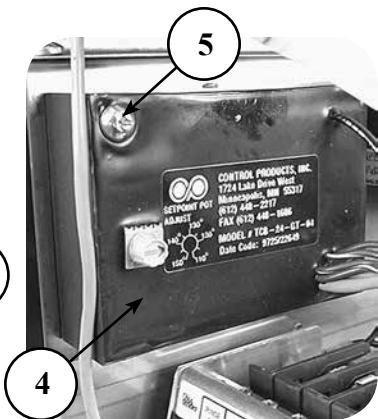
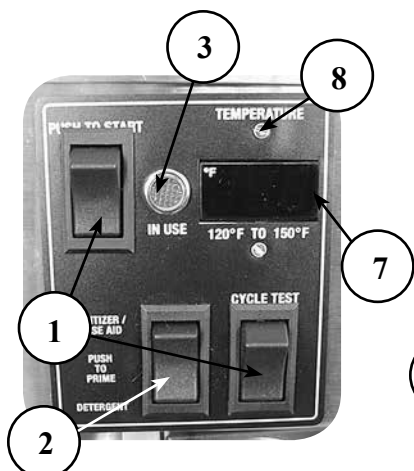
TOPS AND CURTAINS



<u>PART NO.</u>	<u>OLD PART NO.</u>	<u>DESCRIPTION</u>	<u>PRICE</u>
1. 01000721	GT-038110	Top, GT-18, LESS door	\$648.00
2. 01000722	GT-038111	Top, GT-18+1, LESS door and curtains	1,080.00
3. 01000724	GT-038118	Top, GT-18+1L, with drain table, LESS door, curtain and legs	1,308.00
01000725	GT-038119	Top, GT-18+1R, with drain table, LESS door, curtain and legs	1,308.00
4. 01000723	GT-038112	Top, GT-18+2, LESS curtains and drain table	780.00
5. 01000726	GT-038120	Top, GT-18+2-IC, LESS curtains and drain table	900.00
6. 01000649	GT-036200	Door, GT-18	168.00
7. 01000651	GT-036247	Door, GT-18+1L	180.00
01000652	GT-036248	Door, GT-18+1R	180.00
8. 00000027	GT-038723	Screw, door, 10-32 x 1/2" (2 required)	.50
06001485	GT-036012	Washer, flat, door screw, white nylon (2 required)	1.00
01000873	GT-035709	Locknut, door screw 10-32, (2 required)	1.00
9. 01000495	GT-031627	Decal, operation	10.00
10. 01000657	GT-036310	Curtain, end, GT-18+1, GT-18+1L, GT-18-1R, (1 required), GT-18+2, and GT-18+2-IC (2 required)	35.00
11. 01000658	GT-036311	Curtain, inside, GT-18+1	30.00
12. 01000707	GT-037802	Drain table, GT-18+2 (no leg sets required)	1,164.00
13. 01000712	GT-037810	Drain table, LESS leg set, GT-18+2-IC	1,338.00
14. 06001545	GT-037008	Washer, flat, hand screw, 1/4" (4 required)	.50
00000028	GT-038724	Screw, hand, drain table mounting, 1/4"-20 x 3/4", GT-18+2, and GT-18+2-IC (2 required)	5.00
15. 01000258	GT-031511	Bracket, GT-18+1, left, top support (viewing from back)	24.00
01000309		Bracket, GT-18+1, right, top support (viewing from back)	24.00
00000041	GT-038746	Bolt, top support bracket mounting, 1/4"-20 x 5/8" HWH	.50
16. 01000686	GT-037316	Leg set, drain table support, GT-18+1L, GT-18+1R, and GT-18+2-IC	123.00

ACCESSORIES

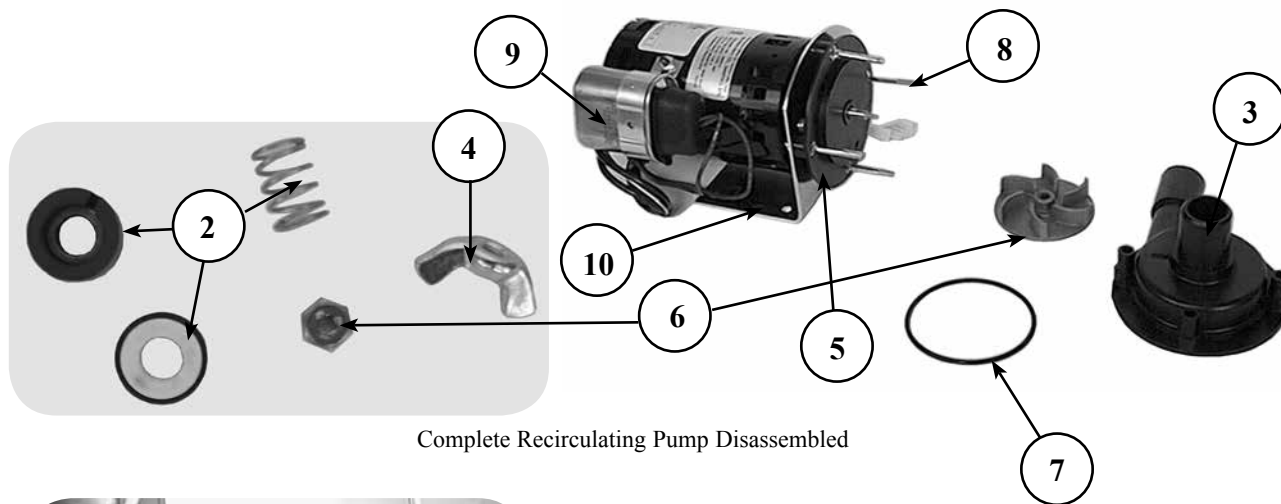
17. 01000710	GT-037805	Clip-on chemical rail (holds 3 one-gallon containers)	215.00
01000706	GT-037801	Glass rack holder for GT-18+1	271.00
18. 01000709	GT-037804	Glass rack holder with shelf for GT-18+1L, GT-18+1R, and GT-18+2	708.00
01000708	GT-037803	Glass rack holder LESS shelf for GT-18+1L, GT-18+1R, and GT-18+2	549.00
19. GT-CA3	GT-CA3	Three product chemical alarm (for remote installation)	375.00



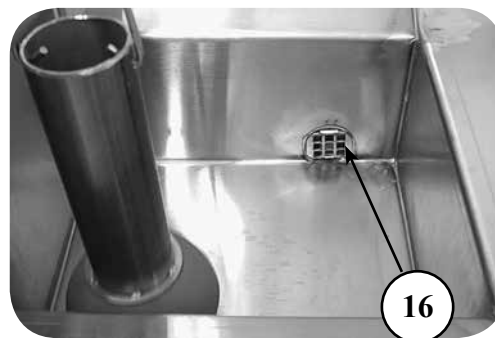
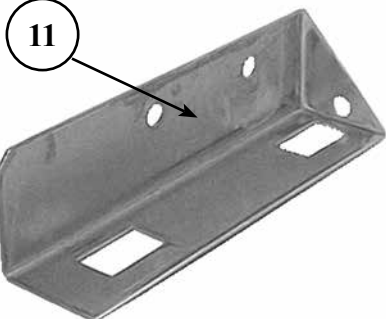
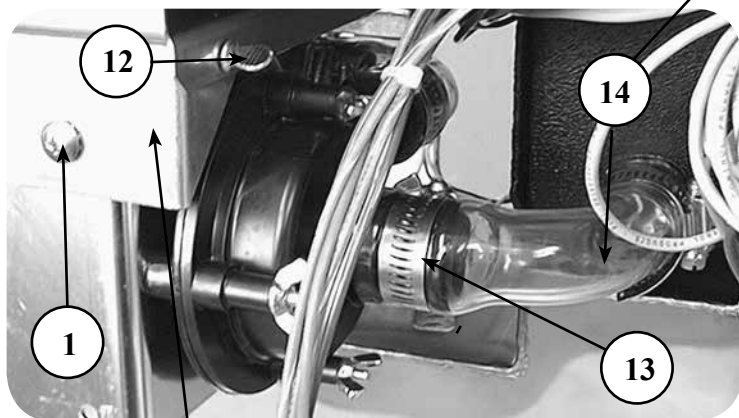
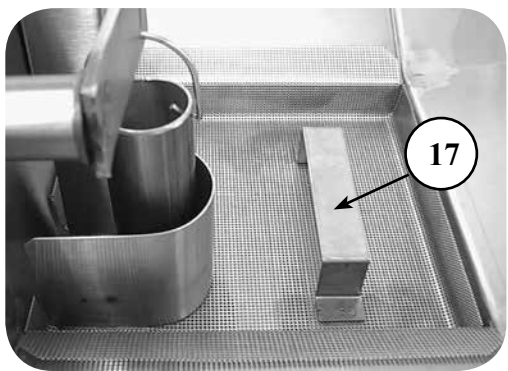
ELECTRICAL COMPONENTS



<u>PART NO.</u>	<u>OLD PART NO.</u>	<u>DESCRIPTION</u>	<u>PRICE</u>
01001232		Wire harness	\$154.00
1. 07000257	GT-033401	Switch, start and cycle test (double pole, single throw, momentary)	20.00
2. 01000552	GT-033410	Switch, prime (double pole, double throw, momentary)	27.00
3. 01000592	GT-034902	Light, in use, green, 125VAC	10.00
4. 01000546	GT-033201	Start thermostat control with probe	325.00
5. 00000061	GT-038799	Screw, thermostat control, 10/32 x 1-1/4", PRH, MS, zinc (2 required)	.50
6. 01000469	GT-031119	Clamp, sensor probe, thermostat control, mounting	1.00
7. 01000606	GT-035300	Gauge, digital temperature, with probe	145.00
8. 00000023	GT-038703	Screw, flat head, temperature gauge mounting, 4-40 x 1" (2 required)	.50
9. 01000618	GT-035700	Nut, 4-40, temperature gauge mounting (2 required)	.50
10. 01000741	GT-038444	Retaining plate, temperature gauge sensor probe	2.00
11. 00000026	GT-035701	Nut, retaining plate, 8-32	.50
01000641	GT-036000	Washer, retaining plate, star, #6	.50
12. 01000537	GT-033003	Timer, Cam cycle control	475.00
13. 01000597	GT-035120	Motor, cycle control timer	150.00
14. 00000030	GT-038728	Screw, timer mounting, #10 x 1/2", drill kwik	1.00
15. 01000538	GT-033004	Counter, cycle, 120VAC (prior to 08/06)	35.00
16. 00000026	GT-035701	Nut, cycle counter mounting bracket, 8-32 (2 required)	.50
01000641	GT-036000	Washer, cycle counter mounting bracket, star, #6 (2 required)	.50
17. 01000556	GT-034201	Transformer, primary-120 VAC, secondary-24 VDC, 40VA	56.00
18. 00000039	GT-038744	Screw, transformer mounting, 10-32 x 3/8" phillips TH, MS, SS (2 required)	.50
19. 01000669	GT-036700	Plug, three wire	1.00
20. 06001537	GT-036701	Plug, six wire	1.50
21. 01000670	GT-036702	Plug, solderless terminal	.50
22. 01000547	GT-033301	Receptacle, three wire	1.00
23. 06001634	GT-033302	Receptacle, six wire	1.50
24. 01000548	GT-033303	Receptacle, solderless terminal	.50
25. 00000168	GT-040729	Electrical box	4.00
26. 06001584	GT-040730	Cover, electrical box	1.50
27. 01000474	GT-031500	Bracket, electrical box	17.00
28. 06001552	GT-038401	Grommet, electrical box	3.50
29. 00000076	GT-038716	Bolt, electrical box, 8-32 x 1/2" hex head (2 required)	.50
01000642	GT-036001	Lockwasher, star, large, #10, electrical box	.50
07000180	GT-035717	Nut, electrical box, mounting, 8/32 zinc (2 required)	.50
01000473	GT-031402	Power cord, 8' with grounded plug	15.00
30. 01001589		Bridge rectifier kit	5.00
31. 01000553	GT-033419	Switch, drain motor cam (2 required)	10.00
32. 00000040	GT-038745	Screw, drain motor cam switch mounting (4 required) 4-40 x 1", PPH, MS, SS	.50
33. 07000259	GT-033417	Switch insulator (2 required)	1.50
34. 01000481	GT-031528	Bracket, drain motor cam switch mounting	15.00
35. 00000035	GT-038736	Screw, drain motor cam switch mounting bracket 8-32 x 1/4", HWH (2 required)	.50
36. 00000003	GT-031109	Clamp, cable, white nylon, 1/4"	.50
37. 00000030	GT-038728	Screw, cable clamp, drill kwik, 10 x 1/2"	1.00
38. 01001231		Micro Control Timer (SN#18005157 and after)	485.00
01000190		Micro Control Timer & Retrofit Kit (prior to SN#18005157)	477.00



Complete Recirculating Pump Disassembled

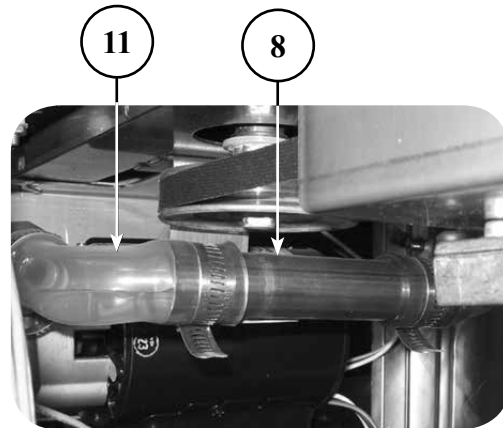
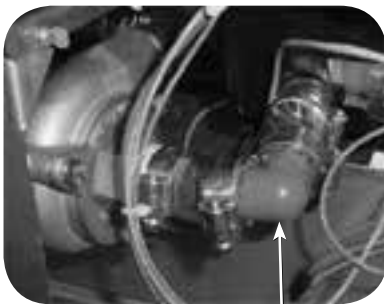
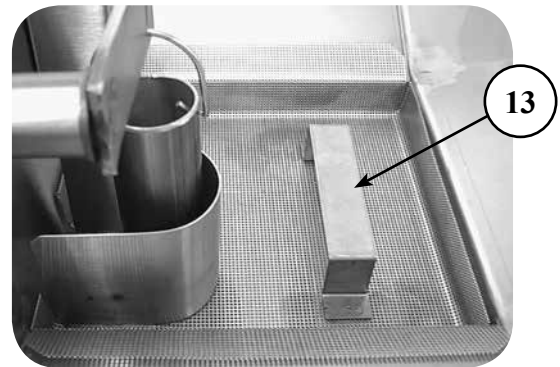
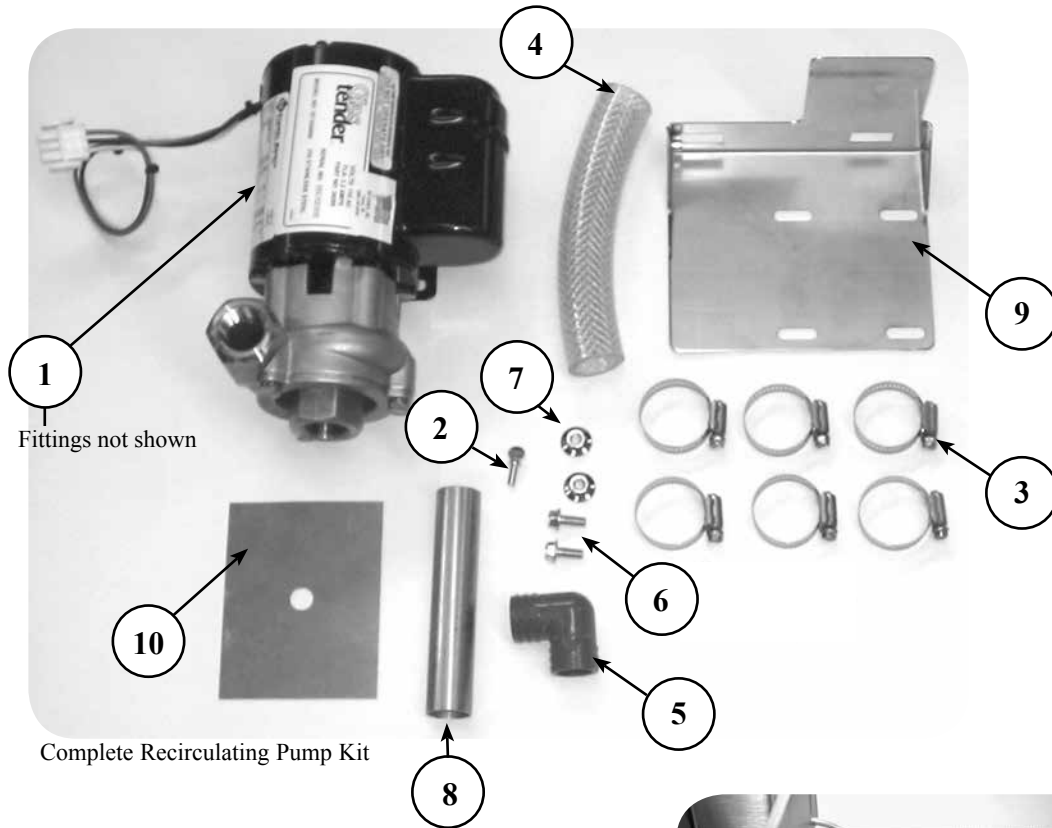


RECIRCULATING PUMP AND RELATED PARTS

MANUFACTURED PRIOR TO NOVEMBER 2004



<u>PART NO.</u>	<u>OLD PART NO.</u>	<u>DESCRIPTION</u>	<u>PRICE</u>
1. 00000039	GT-038744	Screw, pump mounting, 10-32 x 3/8" phillips TH, MS, SS (2 required)	.50
01000642	GT-036001	Lockwasher, pump mounting screw, #10 (2 required)	.50
2. 01000819	GT-037400	Seal assembly, water recirculating pump	60.00
3. 01000818	GT-034506	Housing, water recirculating pump	DISCONTINUED
4. 01000622	GT-035727	Nut, wing, water recirculating pump (4 required)	.50
5. 01000823	GT-034509	Plate, base, water recirculating pump	DISCONTINUED
6. 01000574	GT-034510	Impeller with nut, stainless steel, water recirculating pump	50.00
7. 01000573	GT-034508	O' ring, water recirculating pump	5.00
8. 01000779	GT-041021	Stud, water recirculating pump (4 required)	.50
01000650	GT-036203	Washer, flat, water recirculating pump stud, #8 (4 required)	.50
9. 01000529	GT-032202	Capacitor, water recirculating pump	40.00
10. 01000483	GT-031536	Bracket, water recirculating pump mounting	35.00
11. 01000842	GT-031527	Pump mount angle, mounts pump to tank	15.00
12. 06001573	GT-038725	Screw, thumb, mounts recirculating pump to tank, 10-32 x 1/2"	1.00
13. 00000000	GT-031100	Clamp, hose (6 required)	1.00
14. 06001460	GT-035228	Hose, formed elbow (2 required)	28.00
15. 01000805	W0038	Pipe, 1" OD x 6", stainless steel, water recirculating	6.00
16. 01000676	GT-037007	Screen, inlet pump	24.00
17. 01000677	GT-037010	Screen, tank	72.00

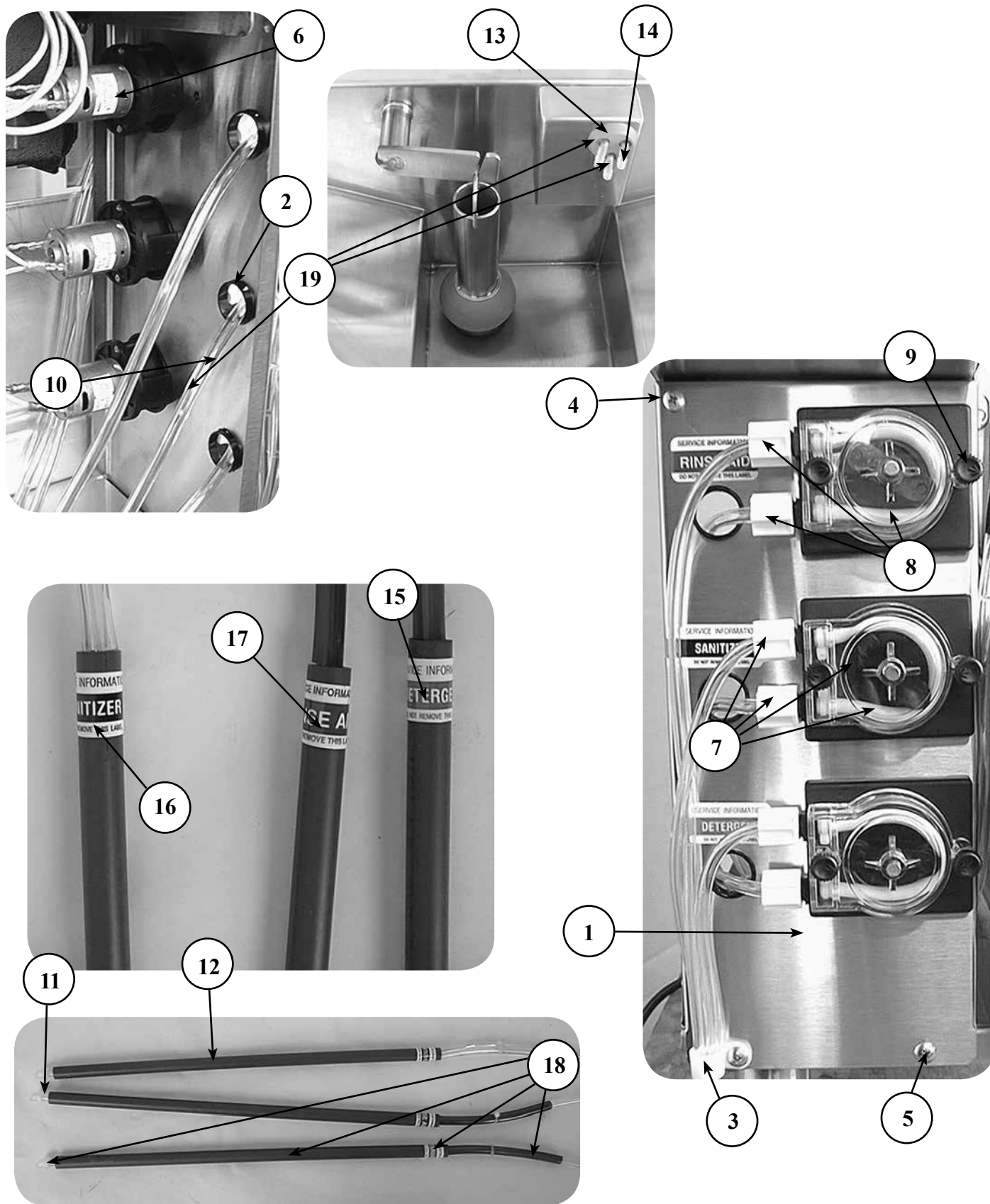


RECIRCULATING PUMP AND RELATED PARTS

MANUFACTURED NOVEMBER 2004 AND LATER



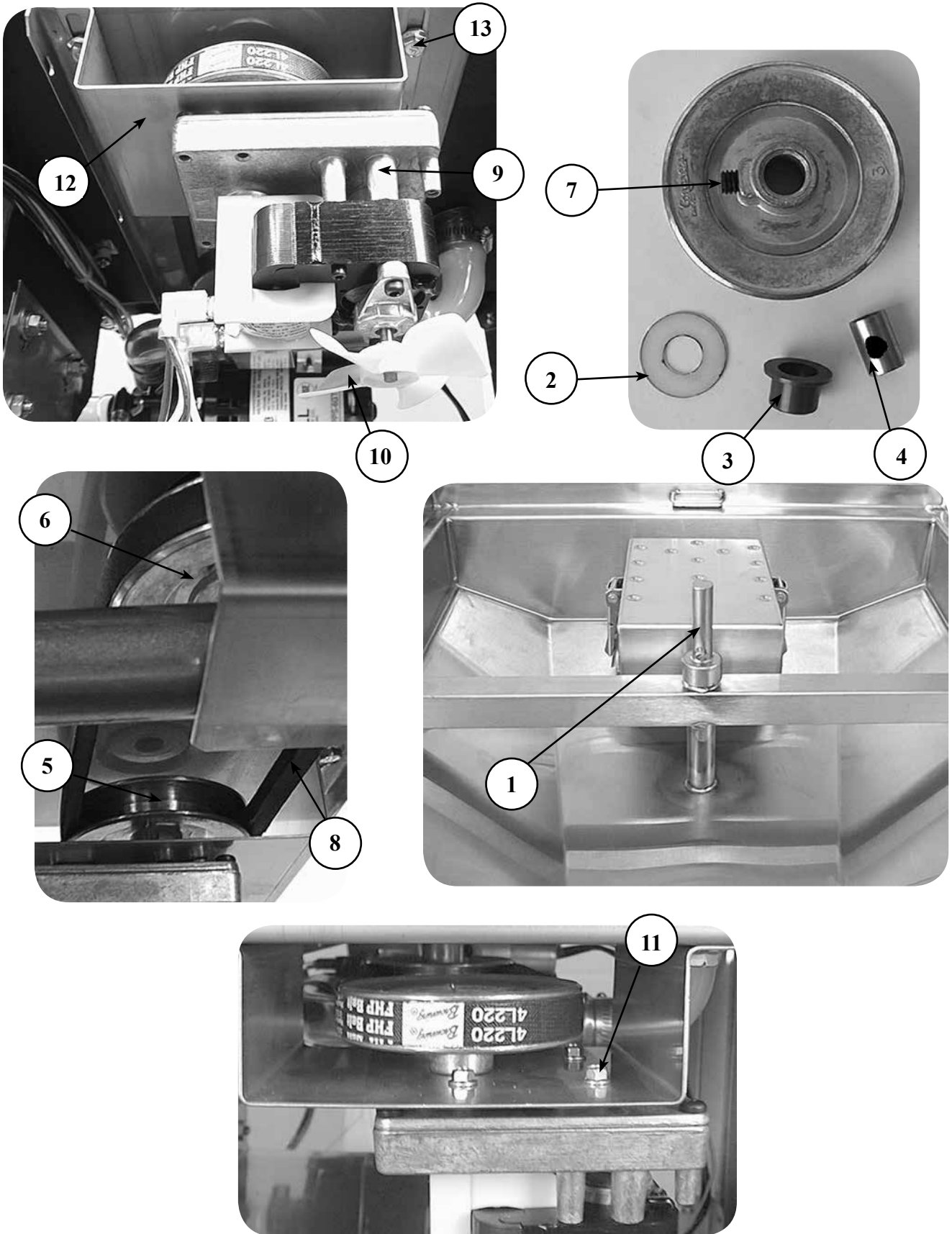
<u>PART NO.</u>	<u>OLD PART NO.</u>	<u>DESCRIPTION</u>	<u>PRICE</u>
01000580	GT-034553	Pump kit, water recirculating (including items 1-10)	\$700.00
01000825	GT-034556	Mounting kit (including items 2-10)	60.00
1. 01000415	GT-034550	Pump, water recirculating, all stainless construction with impellers, 115, w/fittings* (*2-01001306)	660.00
2. 06001574	GT-038833	Screw, thumb, mounts recirculating pump to tank, 10-32 x 1/2"	2.00
3. 00000000	GT-031100	Clamp, hose (6 required)	1.00
4. 00000015	GT-031811	Hose, 1" ID x 1-1/4" OD x 1/8" (per foot)	8.00
5. 01000906	GT-038532	Elbow, Grey Plastic	4.00
6. 00000041	GT-038746	Bolt, 1/4-20 x 5/8 Hex Washer Head	.50
7. 01000623	GT-035740	Nut, 1/4-20, Large Flange Serrated Nut	.50
8. 02000630	W0019	Water recirculating tube, 1" x 5"	5.00
9. 01000154	O0815	Bracket, mounts pump to tank	18.00
10. 01000860		Restrictor Plate, wash box	5.00
11. 06001460	GT-035228	Hose, formed elbow (2 required)	28.00
12. 01000676	GT-037007	Screen, inlet pump	24.00
13. 01000677	GT-037010	Screen, tank	72.00
01000851		Shaft Seal	50.00
01000854		O-ring	5.00
01000852		Impeller	42.00
01000853		Acorn Nut	3.00



PERISTALTIC PUMP, CHEMICAL TUBING, AND RELATED PARTS



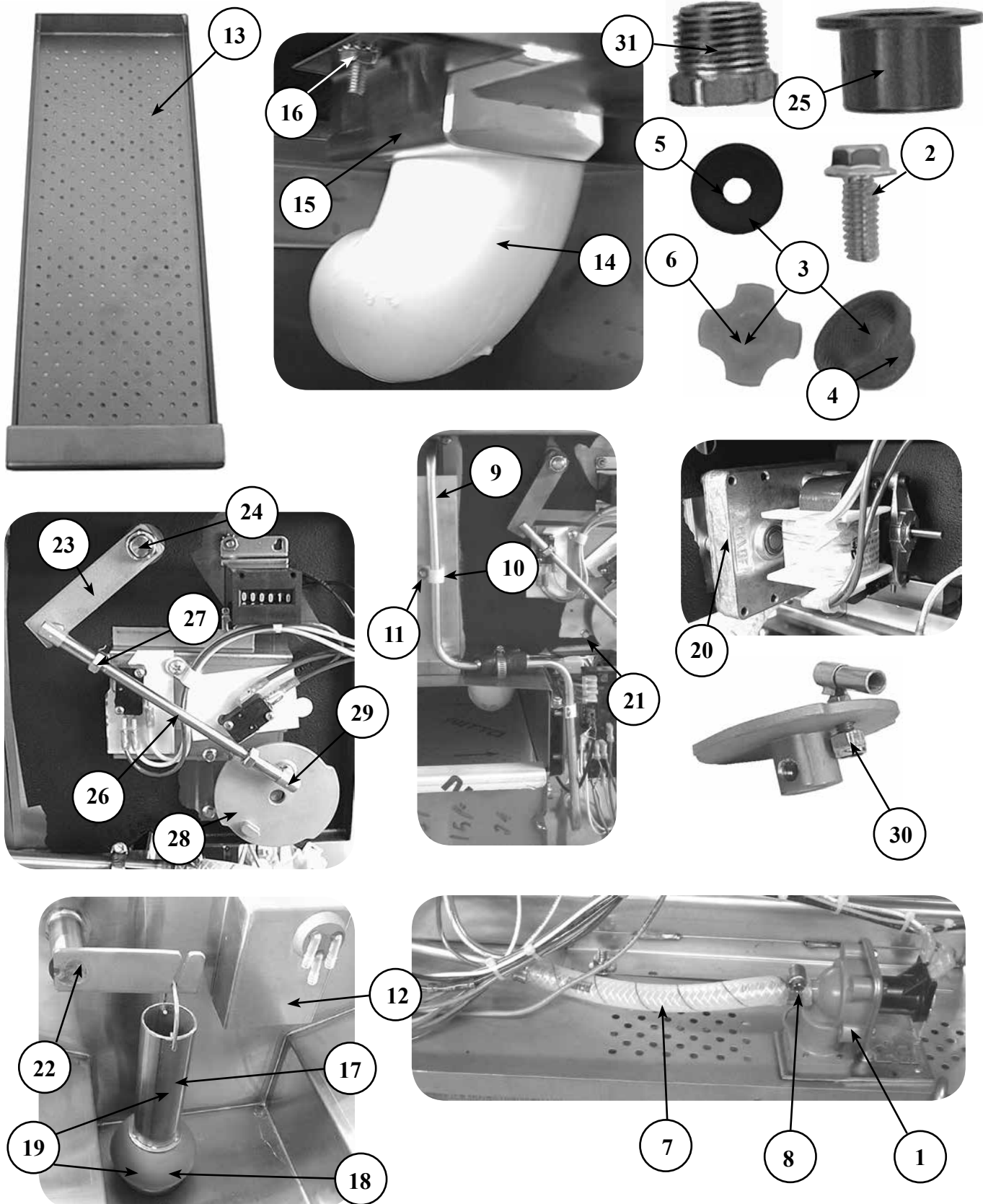
<u>PART NO.</u>	<u>OLD PART NO.</u>	<u>DESCRIPTION</u>	<u>PRICE</u>
01000576	GT-034512	Pump complete, triple, beta with tubing assemblies (prior to 12/09/16 and SN 18006582)	\$ 591.00
01001609		Pump complete, triple, beta with tubing assemblies (starting 12/09/16 and SN 18006582)	591.00
01000570	GT-034503	Pump complete, triple, beta LESS tubing assemblies (prior to 12/09/16 and SN 18006582)	521.00
01001608		Pump complete, triple, beta LESS tubing assemblies (starting 12/09/16 and SN 18006582)	521.00
01000843	GT-035522	Wire harness, pump	15.00
1. 01000480	GT-031526	Bracket, pump, triple (prior to 12/09/16 and SN 18006582)	60.00
01001325		Bracket, pump, triple (starting 12/09/16 and SN 18006582)	60.00
2. 06001556	GT-038430	Grommet, pump bracket (3 required)	.50
3. 00000001	GT-031106	Clamp, cable, white nylon, 5/8" ID	.50
4. 00000030	GT-038728	Screw, pump bracket mounting, 10 x 1/2", drill kwik	1.00
5. 00000039	GT-038744	Screw, pump bracket mounting, 10-32 x 3/8" phillips TH, MS, SS(2 required)	.50
6. 01000596	GT-035104	Motor, drive, peristaltic pump	105.00
7. 01000571	GT-034505	Pump cartridge kit, detergent, sanitizer, or rinse aid, pump tube with fittings, 1/8" ID, 1/4" OD	125.00
01000572	GT-034507	Pump cartridge and motor assembly, detergent, sanitizer, or rinse aid (consists of: 01000571 and 01000596)	222.00
8. 01000692	GT-037425	Pump tube, detergent, sanitizer, or rinse aid, with fittings 1/8" ID	35.00
9. 01000578	GT-034514	Pin, snap clip (2 required per pump) DISCONTINUED	7.00
01001241		Pump cartridge kit, peristaltic pump (no tubing)	85.00
10. 01000517	GT-031705	Tubing, clear, 1/8" ID x 1/4" OD (per foot)	3.00
11. 01000601	GT-035222	Fitting, chemical pickup, 1/8"	2.00
12. 01000526	GT-031750	Tubing support	6.00
13. 01000739	GT-038416	Grommet, three hole, rubber (chemical inlet)	12.00
14. 01000602	GT-035230	Inlet, elbow, detergent, sanitizer, or rinse aid, 1/8" x 1/8"	5.00
15. 01000485	GT-031600	Decal, detergent	1.00
16. 01000486	GT-031601	Decal, sanitizer	1.00
17. 01000489	GT-031606	Decal, rinse aid	1.00
18. 01000696	GT-037430	Tubing, assembly, lower, detergent (consists of: 01000485, 01000517 [6' length], 01000526, and 01000601)	20.00
01000690	GT-037410	Tubing, assembly, lower, sanitizer (consists of: 01000486, 01000517 [6' length], 01000526, and 01000601)	20.00
01000699	GT-037434	Tubing, assembly, lower, rinse aid (consists of: 01000489, 01000517 [6' length], 01000526, and 01000601)	20.00
19. 01000698	GT-037433	Tubing, assembly, upper (consists of: (3) 01000517 [3' length], (3) 01000602 and 01000739)	28.00



DRIVE ASSEMBLY COMPONENTS



<u>PART NO.</u>	<u>OLD PART NO.</u>	<u>DESCRIPTION</u>	<u>PRICE</u>
1. 01000700	GT-037603	Short drive shaft assembly	\$ 120.00
2. 01000847	GT-036025	Washer, 1-1/8" OD	.50
3. 01000671	GT-036800	Bearing, flange (2 required)	3.00
4. 01000735	GT-038404	Sleeve, drive motor pulley only, 3/8" to 1/2"	6.00
5. 01000465	GT-031000	Pulley, 3" with set screw and sleeve, drive motor	15.50
6. 01000467	GT-031002	Pulley, 3" with set screw and machined center, drive shaft	20.00
7. 00000024	GT-038706	Screw, set, 5/16"-18 x 1/2"	.50
8. 01000590	GT-034803	Belt, 22"	16.00
9. 01000595	GT-035102	Drive motor, drive wheel, 10 RPM (same as drain stopper)	190.00
10. 01000531	GT-032800	Fan blade, drive motor, MK motor # 01000594 (prior to SN18006075)	3.00
	01001590	Fan blade, drive motor, black, REX	3.00
	01001581	Fan blade, drive motor, MK motor #01000595 (SN18006075 and after)	3.00
11. 00000035	GT-038736	Screw, drive motor mounting, 8-32 x 1/4" hex washer head (4 required) [attaches motor to motor mount]	.50
12. 01000477	GT-031507	Bracket, motor mounting	30.00
13. 00000041	GT-038746	Bolt, 1/4"-20 x 5/8", hex washer head (4 required) (attaches motor mount to tank)	.50



PLUMBING COMPONENTS



<u>PART NO.</u>	<u>OLD PART NO.</u>	<u>DESCRIPTION</u>	<u>PRICE</u>
1. 01000561	GT-034301	Valve, water inlet	\$ 55.00
2. 00000041	GT-038746	Bolt, water inlet valve mounting, 1/4"-20 x 5/8", HWH	.50
3. 01000672	GT-036902	Water inlet valve screen kit	9.00
4. 01000848	GT-037001	Screen, water inlet valve (K-017716)	2.00
5. 01000812	GT-036002	Washer, water inlet valve flow (K-27632)	8.00
6. 01000813	GT-038451	Retainer, water inlet valve flow washer (K-26554)	2.00
7. 01000617	GT-035605	Hose, nylon braided, water inlet (per foot)	1.60
8. 01000468	GT-031110	Clamp, hose, water inlet (2 required)	1.00
9. 01000872		Tube, water inlet, stainless steel	17.00
10. 00000005	GT-031114	Clamp, cable, white nylon, 1/2"	.50
11. 01000620	GT-035711	Nut, cable clamp, 1/4", zinc	.50
12. 01000648	GT-036147	Box, water inlet	48.00
13. 01000711	GT-037806	Scrap tray	48.00
14. 01000771	GT-040915	PVC, drain elbow, white, 1-1/2" IPS	6.00
15. 01000478	GT-031509	Bracket, drain elbow	3.00
16. 00000026	GT-035701	Nut, 8-32, drain elbow bracket	.50
01000642	GT-036001	Lockwasher, star, large, drain elbow bracket, #10	.50
17. 01000768	GT-040912	Drain stopper stem with hanger, stainless steel	34.00
18. 01000767	GT-040909	Drain stopper ball, grey rubber, reversible	45.00
19. 01000691	GT-037411	Drain stopper assembly (consists of: 01000768 and 01000767)	71.00
20. 01000595	GT-035102	Drive motor, drain stopper, 10 RPM (same as drive wheel)	190.00
01001590		Fan blade, drive motor, black, REX	3.00
21. 00000035	GT-038736	Screw, drive motor mounting, 8-32 x 1/4" (4 required)	.50
22. 01000793	GT-040929	Drain linkage arm	36.00
23. 01000904	GT-040923	Motor linkage	24.00
24. 01000619	GT-035707	Locknut, motor linkage mounting, 7/16"-14, nylon insert, zinc	.50
25. 01000671	GT-036800	Bearing, flange (2 required)	3.00
26. 01000804	GT-040924	Linkage rod	24.00
27. 00000017	GT-035718	Nut, linkage rod, 1/4"-28, zinc	.50
28. 01001248	GT-040925	Cam, drain motor	20.00
00000024	GT-038706	Screw, set, cam mounting, 5/16"-18 x 1/2"	.50
29. 01000775	GT-040926	Ball joint assembly	7.00
30. 01000621	GT-035719	Locknut, ball joint assembly mounting, 1/4"-28, hex head, nylon insert	.50

ACCESSORIES

31. 01000600	GT-035217	Adapter, water inlet valve, 1/4" MPT to 3/8" FMPT	5.00
--------------	-----------	---	------

RECOMMENDED SPARE PARTS INVENTORY

<u>PART NO.</u>	<u>OLD PART NO.</u>	<u>DESCRIPTION</u>	<u>PRICE</u>
01000472	GT-031306	Gasket, spray box	\$6.00
01000657	GT-036310	Curtain, end, GT-18+1, GT-18+1L, GT-18+1R, (1 required) GT-18+2 and GT-18+2-IC (2 required)	35.00
01000658	GT-036311	Curtain, inside, GT-18+1	30.00
07000257	GT-033401	Switch, start and cycle (double pole, single throw, momentary)	20.00
01000552	GT-033410	Switch, prime (double pole, double throw, momentary)	27.00
01000546	GT-033201	Start thermostat control with probe	325.00
01000606	GT-035300	Gauge, digital temperature, with probe	145.00
01000556		Transformer, 120V, secondary 24V, (GT-18)	56.00
01001589		Bridge rectifier kit	5.00
01000553	GT-033419	Switch, drain motor cam (2 required)	10.00
01000415	GT-034550	Pump, water recirculating, all stainless construction with impellers, 115, w/fittings* (*2-01001306)	660.00
01000571	GT-034505	Pump cartridge kit, detergent, sanitizer, or rinse aid, pump tube with fittings, 1/8"ID, 1/4" OD	125.00
01000692	GT-037425	Pump tube, detergent, sanitizer, or rinse aid, with fittings 1/8" ID	35.00
01000696	GT-037430	Tubing, assembly, lower, detergent (consists of: 01000485, 01000517 [6' length], 01000526, and 01000601)	20.00
01000690	GT-037410	Tubing, assembly, lower, sanitizer (consists of: 01000486, 01000517 [6' length], 01000526, and 01000601)	20.00
01000694	GT-037427	Tubing, assembly, lower, rinse aid (consists of: 01000489, 01000517 [6' length], 01000526, and 01000601)	20.00
01000698	GT-037433	Tubing, assembly, upper (consists of: (3) 01000517 [3' length], (3) 01000602, and 01000739)	28.00
01000595	GT-035102	Drive motor, drive wheel or drainstopper, 10 RPM	190.00
01001590		Fan blade, drive motor, black, REX	3.00
01000561	GT-034301	Valve, water inlet	55.00

Parts Order Form



Date:	_____	Ship Via	Ground _____	Regarding: _____
Company:	_____	NDA _____	2 Day _____	Model #: _____
Contact:	_____	Other _____		Serial #: _____
Customer #:	_____			If glasswasher:
Phone #:	_____			Voltage: __ 208 __ 240
Fax #:	_____			Rotation: __ CW __ CCW

Bill to:	Ship to:	Special instructions:
_____	_____	_____
_____	_____	_____
_____	_____	_____
_____	_____	_____
_____	_____	_____

Quantity	Part number	Description	Price
1. _____	_____	_____	_____
2. _____	_____	_____	_____
3. _____	_____	_____	_____
4. _____	_____	_____	_____
5. _____	_____	_____	_____
6. _____	_____	_____	_____
7. _____	_____	_____	_____
8. _____	_____	_____	_____
9. _____	_____	_____	_____
10. _____	_____	_____	_____
11. _____	_____	_____	_____
12. _____	_____	_____	_____
13. _____	_____	_____	_____
14. _____	_____	_____	_____
15. _____	_____	_____	_____

