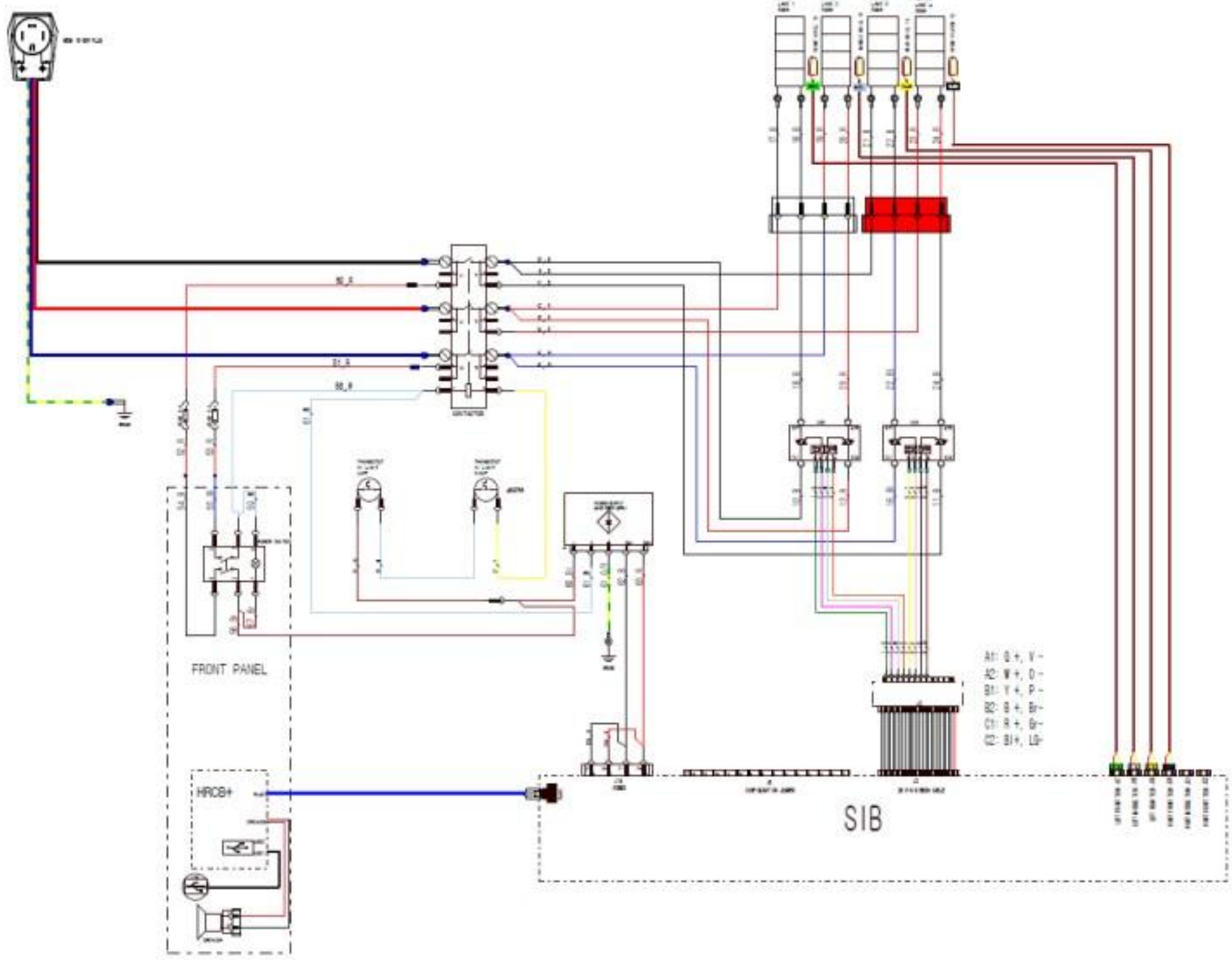


WIRE COLOR TABLE	
RED	LINE
BLACK	NEUTRAL
BLUE	GROUND
GREEN	GROUND
YELLOW	GROUND
PINK	GROUND
PURPLE	GROUND
ORANGE	GROUND



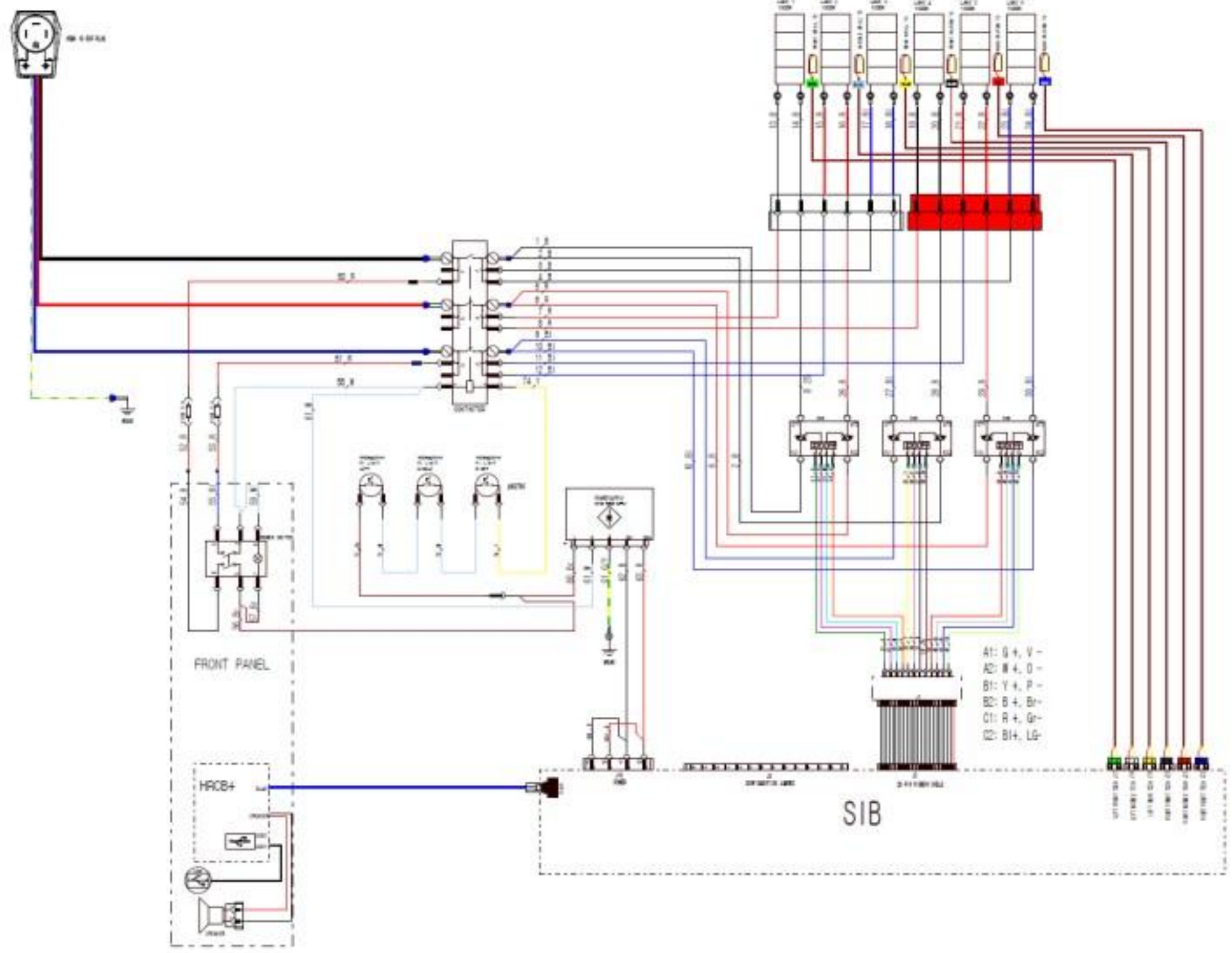
- A1: R, G, V-
- A2: W, O-
- B1: Y, P-
- B2: B, W, V-
- C1: R, P, V-
- C2: G, P, V-
- C3: B, P, V-
- C4: G, P, V-
- C5: G, P, V-

REV	DATE	BY	CHKD	APP'D
1	08/11/04	JL	JL	JL
2	08/11/04	JL	JL	JL
3	08/11/04	JL	JL	JL
4	08/11/04	JL	JL	JL
5	08/11/04	JL	JL	JL

		WIRING DIAGRAM	
PART NO. 4805247	REV. C	DATE 08/11/04	SHEET 1 OF 1

Wire Color Table

Blue	BLU
Black	BLK
Red	RED
White	WHT
Green	GRN
Yellow	YEL
Orange	ORG
Purple	PUR



- A1: G +, V -
- A2: W +, O -
- B1: Y +, P -
- B2: B +, B -
- C1: R +, G -
- C2: B1 +, LG -

1. WIRE TO MAIN BOARD	42	43	44	45	46	47	48	49	50
2. WIRE TO MAIN BOARD	51	52	53	54	55	56	57	58	59
3. WIRE TO MAIN BOARD	60	61	62	63	64	65	66	67	68
4. WIRE TO MAIN BOARD	69	70	71	72	73	74	75	76	77
5. WIRE TO MAIN BOARD	78	79	80	81	82	83	84	85	86
6. WIRE TO MAIN BOARD	87	88	89	90	91	92	93	94	95
7. WIRE TO MAIN BOARD	96	97	98	99	100	101	102	103	104
8. WIRE TO MAIN BOARD	105	106	107	108	109	110	111	112	113
9. WIRE TO MAIN BOARD	114	115	116	117	118	119	120	121	122
10. WIRE TO MAIN BOARD	123	124	125	126	127	128	129	130	131
11. WIRE TO MAIN BOARD	132	133	134	135	136	137	138	139	140
12. WIRE TO MAIN BOARD	141	142	143	144	145	146	147	148	149
13. WIRE TO MAIN BOARD	150	151	152	153	154	155	156	157	158
14. WIRE TO MAIN BOARD	159	160	161	162	163	164	165	166	167
15. WIRE TO MAIN BOARD	168	169	170	171	172	173	174	175	176
16. WIRE TO MAIN BOARD	177	178	179	180	181	182	183	184	185
17. WIRE TO MAIN BOARD	186	187	188	189	190	191	192	193	194
18. WIRE TO MAIN BOARD	195	196	197	198	199	200	201	202	203
19. WIRE TO MAIN BOARD	204	205	206	207	208	209	210	211	212
20. WIRE TO MAIN BOARD	213	214	215	216	217	218	219	220	221
21. WIRE TO MAIN BOARD	222	223	224	225	226	227	228	229	230
22. WIRE TO MAIN BOARD	231	232	233	234	235	236	237	238	239
23. WIRE TO MAIN BOARD	240	241	242	243	244	245	246	247	248
24. WIRE TO MAIN BOARD	249	250	251	252	253	254	255	256	257
25. WIRE TO MAIN BOARD	258	259	260	261	262	263	264	265	266
26. WIRE TO MAIN BOARD	267	268	269	270	271	272	273	274	275
27. WIRE TO MAIN BOARD	276	277	278	279	280	281	282	283	284
28. WIRE TO MAIN BOARD	285	286	287	288	289	290	291	292	293
29. WIRE TO MAIN BOARD	294	295	296	297	298	299	300	301	302
30. WIRE TO MAIN BOARD	303	304	305	306	307	308	309	310	311
31. WIRE TO MAIN BOARD	312	313	314	315	316	317	318	319	320
32. WIRE TO MAIN BOARD	321	322	323	324	325	326	327	328	329
33. WIRE TO MAIN BOARD	330	331	332	333	334	335	336	337	338
34. WIRE TO MAIN BOARD	339	340	341	342	343	344	345	346	347
35. WIRE TO MAIN BOARD	348	349	350	351	352	353	354	355	356
36. WIRE TO MAIN BOARD	357	358	359	360	361	362	363	364	365
37. WIRE TO MAIN BOARD	366	367	368	369	370	371	372	373	374
38. WIRE TO MAIN BOARD	375	376	377	378	379	380	381	382	383
39. WIRE TO MAIN BOARD	384	385	386	387	388	389	390	391	392
40. WIRE TO MAIN BOARD	393	394	395	396	397	398	399	400	401
41. WIRE TO MAIN BOARD	402	403	404	405	406	407	408	409	410
42. WIRE TO MAIN BOARD	411	412	413	414	415	416	417	418	419
43. WIRE TO MAIN BOARD	420	421	422	423	424	425	426	427	428
44. WIRE TO MAIN BOARD	429	430	431	432	433	434	435	436	437
45. WIRE TO MAIN BOARD	438	439	440	441	442	443	444	445	446
46. WIRE TO MAIN BOARD	447	448	449	450	451	452	453	454	455
47. WIRE TO MAIN BOARD	456	457	458	459	460	461	462	463	464
48. WIRE TO MAIN BOARD	465	466	467	468	469	470	471	472	473
49. WIRE TO MAIN BOARD	474	475	476	477	478	479	480	481	482
50. WIRE TO MAIN BOARD	483	484	485	486	487	488	489	490	491
51. WIRE TO MAIN BOARD	492	493	494	495	496	497	498	499	500
52. WIRE TO MAIN BOARD	501	502	503	504	505	506	507	508	509
53. WIRE TO MAIN BOARD	510	511	512	513	514	515	516	517	518
54. WIRE TO MAIN BOARD	519	520	521	522	523	524	525	526	527
55. WIRE TO MAIN BOARD	528	529	530	531	532	533	534	535	536
56. WIRE TO MAIN BOARD	537	538	539	540	541	542	543	544	545
57. WIRE TO MAIN BOARD	546	547	548	549	550	551	552	553	554
58. WIRE TO MAIN BOARD	555	556	557	558	559	560	561	562	563
59. WIRE TO MAIN BOARD	564	565	566	567	568	569	570	571	572
60. WIRE TO MAIN BOARD	573	574	575	576	577	578	579	580	581
61. WIRE TO MAIN BOARD	582	583	584	585	586	587	588	589	590
62. WIRE TO MAIN BOARD	591	592	593	594	595	596	597	598	599
63. WIRE TO MAIN BOARD	600	601	602	603	604	605	606	607	608
64. WIRE TO MAIN BOARD	609	610	611	612	613	614	615	616	617
65. WIRE TO MAIN BOARD	618	619	620	621	622	623	624	625	626
66. WIRE TO MAIN BOARD	627	628	629	630	631	632	633	634	635
67. WIRE TO MAIN BOARD	636	637	638	639	640	641	642	643	644
68. WIRE TO MAIN BOARD	645	646	647	648	649	650	651	652	653
69. WIRE TO MAIN BOARD	654	655	656	657	658	659	660	661	662
70. WIRE TO MAIN BOARD	663	664	665	666	667	668	669	670	671
71. WIRE TO MAIN BOARD	672	673	674	675	676	677	678	679	680
72. WIRE TO MAIN BOARD	681	682	683	684	685	686	687	688	689
73. WIRE TO MAIN BOARD	690	691	692	693	694	695	696	697	698
74. WIRE TO MAIN BOARD	699	700	701	702	703	704	705	706	707
75. WIRE TO MAIN BOARD	708	709	710	711	712	713	714	715	716
76. WIRE TO MAIN BOARD	717	718	719	720	721	722	723	724	725
77. WIRE TO MAIN BOARD	726	727	728	729	730	731	732	733	734
78. WIRE TO MAIN BOARD	735	736	737	738	739	740	741	742	743
79. WIRE TO MAIN BOARD	744	745	746	747	748	749	750	751	752
80. WIRE TO MAIN BOARD	753	754	755	756	757	758	759	760	761
81. WIRE TO MAIN BOARD	762	763	764	765	766	767	768	769	770
82. WIRE TO MAIN BOARD	771	772	773	774	775	776	777	778	779
83. WIRE TO MAIN BOARD	780	781	782	783	784	785	786	787	788
84. WIRE TO MAIN BOARD	789	790	791	792	793	794	795	796	797
85. WIRE TO MAIN BOARD	798	799	800	801	802	803	804	805	806
86. WIRE TO MAIN BOARD	807	808	809	810	811	812	813	814	815
87. WIRE TO MAIN BOARD	816	817	818	819	820	821	822	823	824
88. WIRE TO MAIN BOARD	825	826	827	828	829	830	831	832	833
89. WIRE TO MAIN BOARD	834	835	836	837	838	839	840	841	842
90. WIRE TO MAIN BOARD	843	844	845	846	847	848	849	850	851
91. WIRE TO MAIN BOARD	852	853	854	855	856	857	858	859	860
92. WIRE TO MAIN BOARD	861	862	863	864	865	866	867	868	869
93. WIRE TO MAIN BOARD	870	871	872	873	874	875	876	877	878
94. WIRE TO MAIN BOARD	879	880	881	882	883	884	885	886	887
95. WIRE TO MAIN BOARD	888	889	890	891	892	893	894	895	896
96. WIRE TO MAIN BOARD	897	898	899	900	901	902	903	904	905
97. WIRE TO MAIN BOARD	906	907	908	909	910	911	912	913	914
98. WIRE TO MAIN BOARD	915	916	917	918	919	920	921	922	923
99. WIRE TO MAIN BOARD	924	925	926	927	928	929	930	931	932
100. WIRE TO MAIN BOARD	933	934	935	936	937	938	939	940	941
101. WIRE TO MAIN BOARD	942	943	944	945	946	947	948	949	950
102. WIRE TO MAIN BOARD	951	952	953	954	955	956	957	958	959
103. WIRE TO MAIN BOARD	960	961	962	963	964	965	966	967	968
104. WIRE TO MAIN BOARD	969	970	971	972	973	974	975	976	977
105. WIRE TO MAIN BOARD	978	979	980	981	982	983	984	985	986
106. WIRE TO MAIN BOARD	987	988	989	990	991	992	993	994	995
107. WIRE TO MAIN BOARD	996	997	998	999	1000	1001	1002	1003	1004
108. WIRE TO MAIN BOARD	1005	1006	1007	1008	1009	1010	1011	1012	1013
109. WIRE TO MAIN BOARD	1014	1015	1016	1017	1018	1019	1020	1021	1022
110. WIRE TO MAIN BOARD	1023	1024	1025	1026	1027	1028	1029	1030	1031
111. WIRE TO MAIN BOARD	1032	1033	1034	1035	1036	1037	1038	1039	1040
112. WIRE TO MAIN BOARD	1041	1042	1043	1044	1045	1046	1047	1048	1049
113. WIRE TO MAIN BOARD	1050	1051	1052	1053	1054	1055	1056	1057	1058
114. WIRE TO MAIN									