

Electric Staging Grill

Models

GSL4S

GSL6S, GSL6D

Installation, Operation and Maintenance Manual

Please read all sections of this manual and retain for future reference



GSL4S Shown



GSL6S / GSL6D Shown

THIS PAGE INTENTIONALLY LEFT BLANK

Table of contents

Section 1

General Information

Main Features and Components -----	05
GSL4S Dimension Specification -----	06
GSL6S Dimension Specification -----	07
GSL6D Dimension Specification-----	08
GSL4S Input Specification -----	09
GSL6S/GSL6D Input Specification -----	09

Section 2

Installation

Positioning -----	10
Appliances Equipped with Casters-----	10
Castors Adjustment Procedure -----	10
Electrical Connection -----	11
Power Supply Terminal -----	12
Startup Procedure-----	12

Section 3

Operation

Sequence of Operation -----	13
Start Up & Preheat -----	14
Normal Operation -----	15
Setup-----	17

Section 4

Service

Open front panel -----	24
Remove chute assembly -----	25
Replace UI -----	26

Table of Contents (continued)

Replace SIB Board -----	27
Replace SR -----	27
Replace thermocouple -----	28
Replace high temp limit switch -----	28

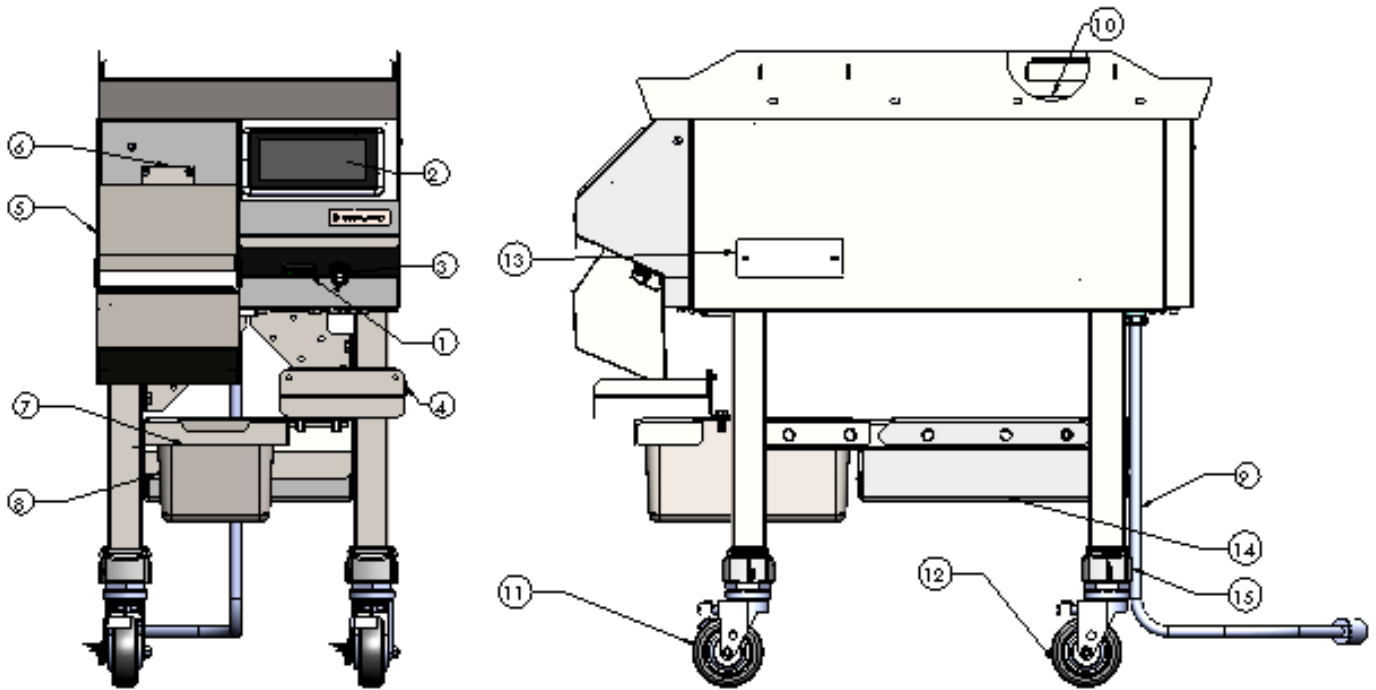
Section 5

Reference document

Daily cleaning -----	29
Wire diagram -----	30
Part list -----	32

Section 1

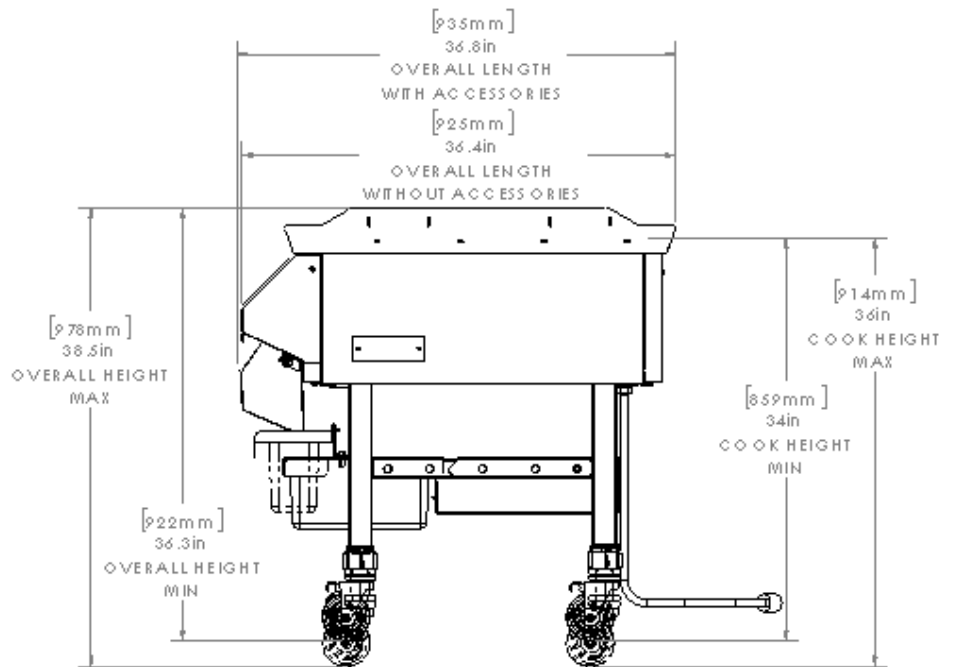
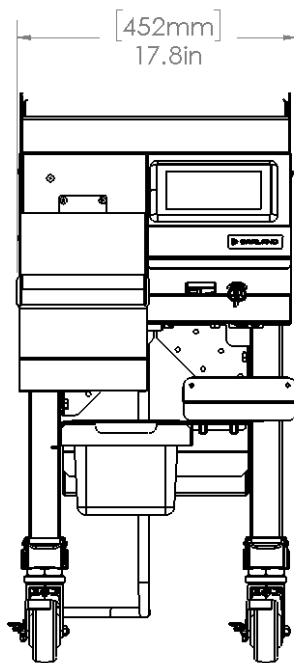
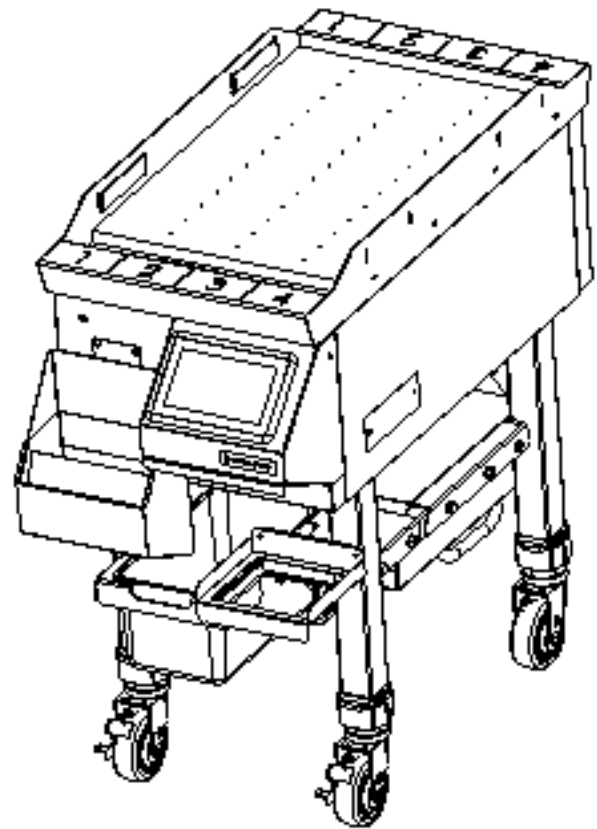
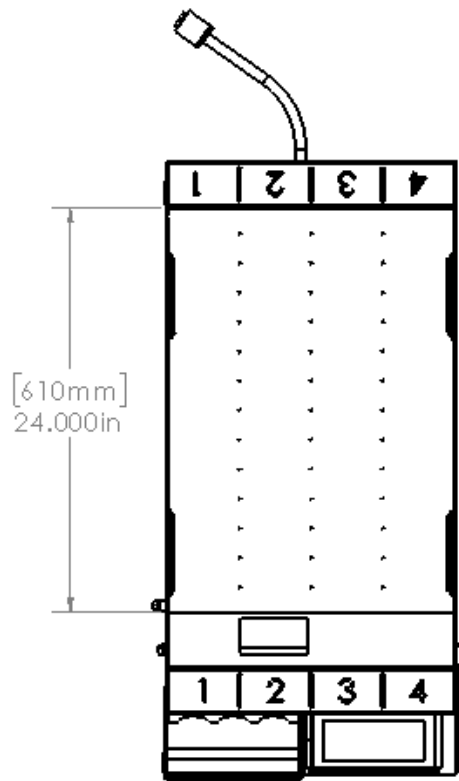
General Information



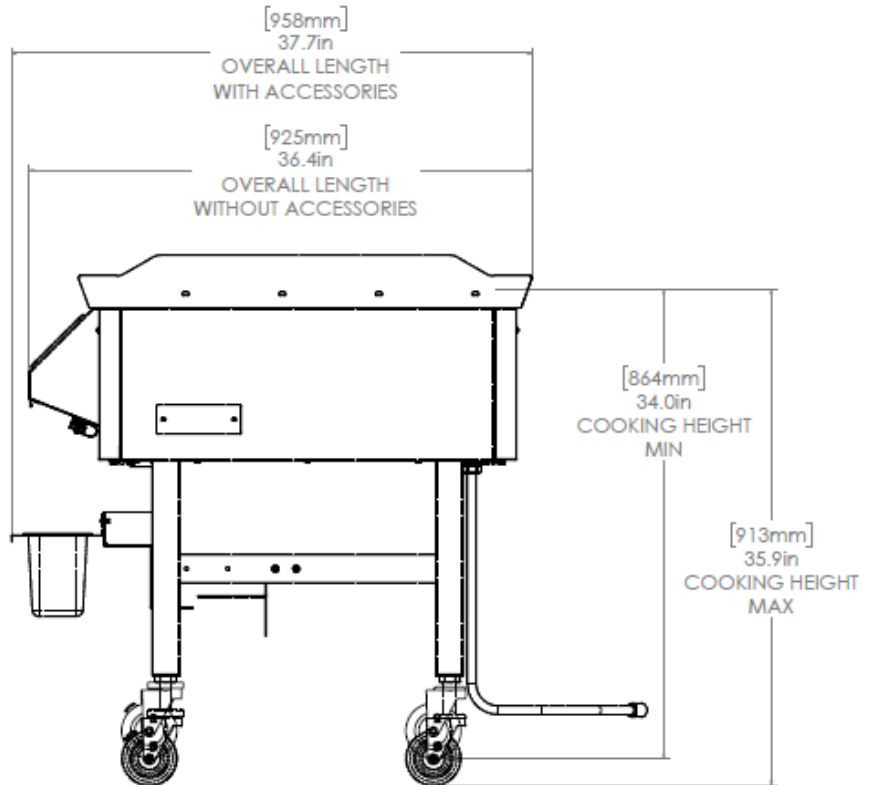
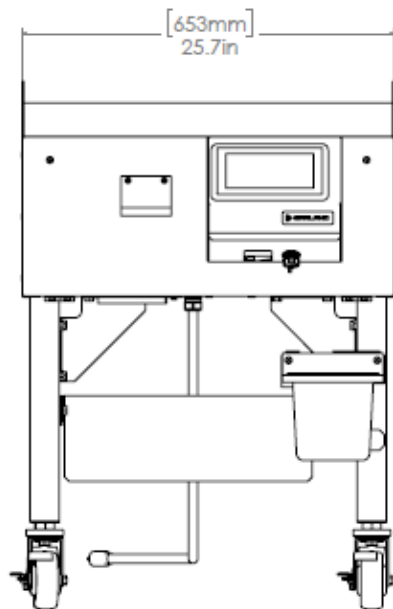
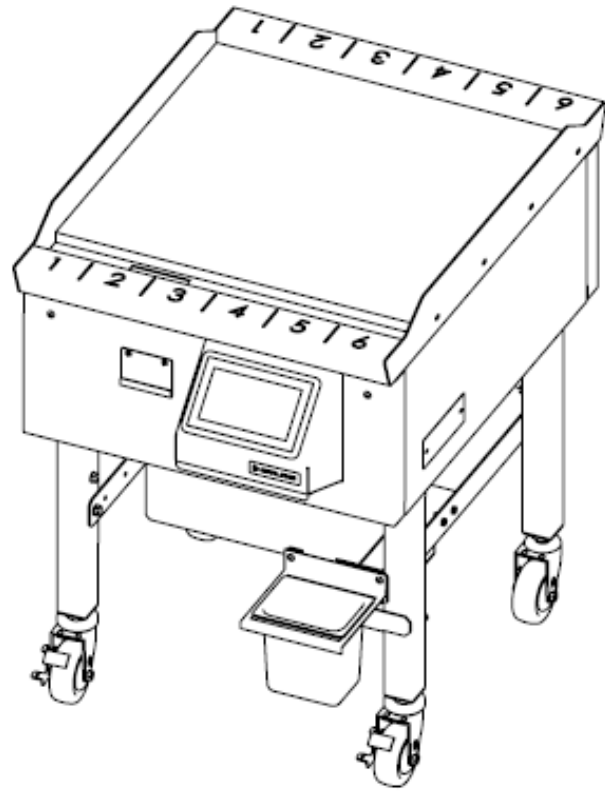
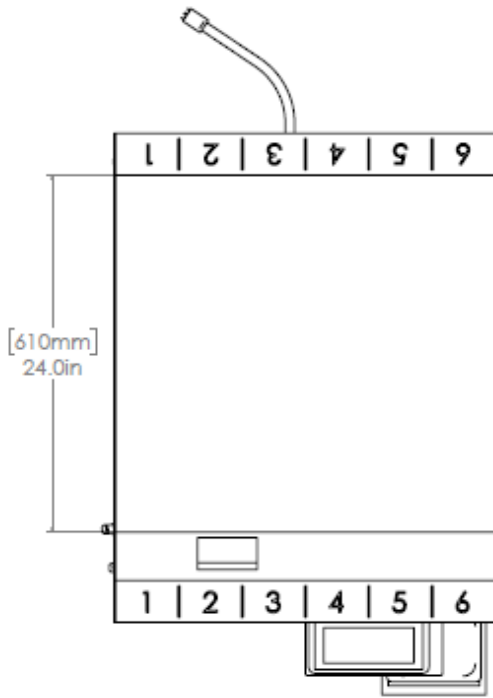
Main Features and Components

1. On/Off Power Switch
2. Touch sensitive controls for easy operation
3. USB Ports
4. Sanitation holding bracket
5. Modified squeegee holder
6. Squeegee holder bracket
7. Grease tray holding bracket
8. Grease tray - steam pan 1/4 Size, 6"
9. Power cable
10. Grill plate-it divides into 4 lanes and 6 lanes based on model
11. Front Casters-height adjustable swivel casters with brakes.
12. Rear Casters— height adjustable casters
13. Rating plate location.—Important information such as the unit's model number, serial number, and electrical specifications can be found on the serial plate
14. Weight - only for 4 lanes grill.
15. Caster nut cover

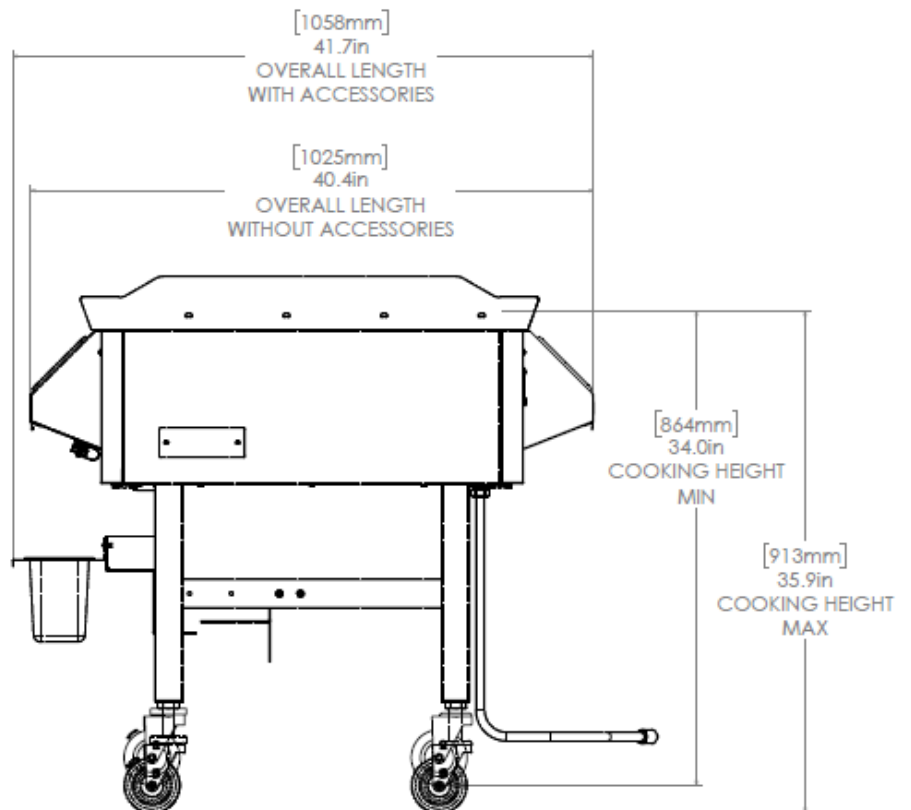
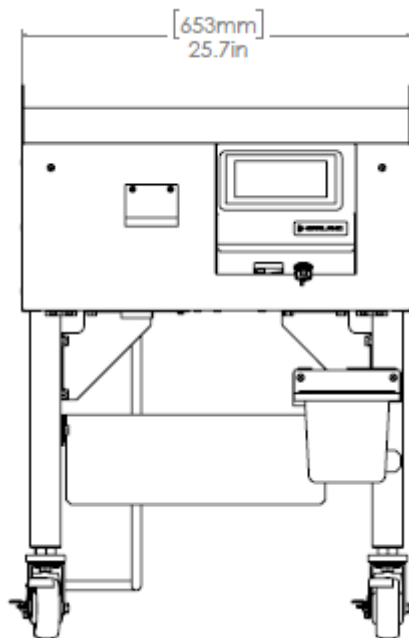
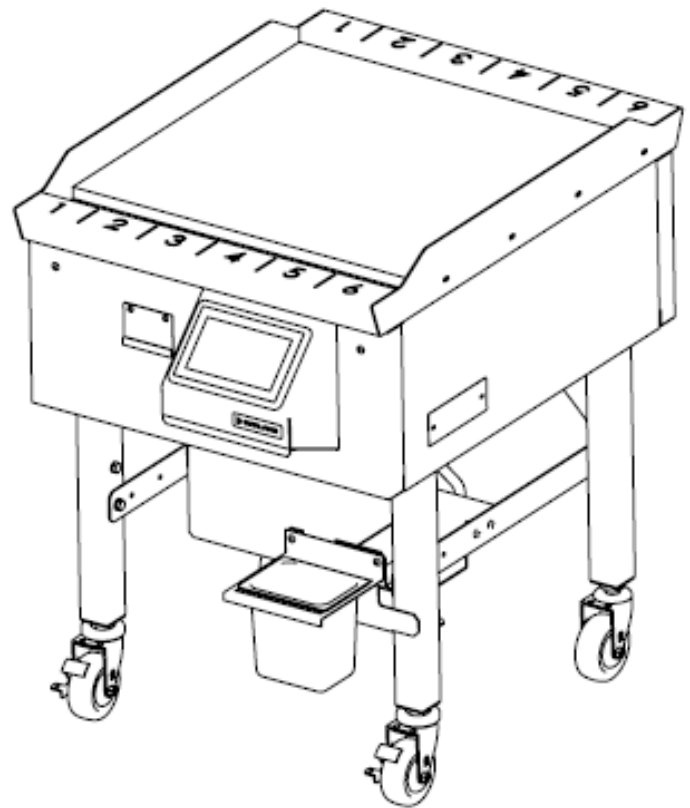
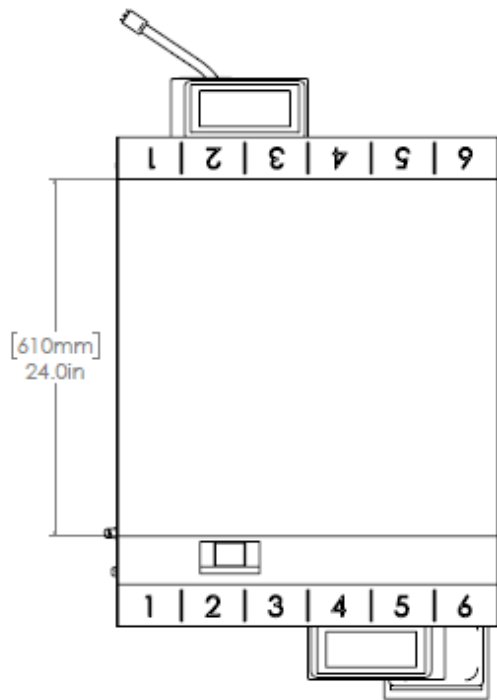
GSL4S Dimension Specification



GSL6S Dimension Specification



GSL6D Dimension Specification



GSL4S Input Specification

GSL4S CSA Model - Delta Wiring Configuration				
VOLTAGE 3Ph 50/60 Hz	POWER (W)	MAX CURRENT (A)		
		L1	L2	L3
200V	4167	13.8	13.8	9.0
208V	4507	14.3	14.3	9.4
220V	5042	15.2	15.2	9.9
230V	5510	15.8	15.8	10.4
240V	6000	16.5	16.5	10.8

GSL6S/GSL6D Input Specification

GSL6S CSA Model - Delta Wiring Configuration				
VOLTAGE 3Ph 50/60 Hz	POWER (W)	MAX CURRENT (A)		
		L1	L2	L3
200V	6250	18.0	18.0	18.0
208V	6760	18.8	18.8	18.8
220V	7563	19.8	19.8	19.8
230V	8266	20.7	20.7	20.7
240V	9000	21.7	21.7	21.7

Section 2

Installation

Positioning

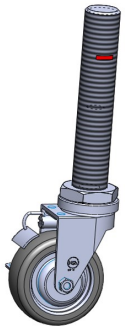
The unit is very heavy and mechanical assistance may be required to lift and position the appliance.

The unit is designed to be installed on a smooth and level floor built to withstand the weight of the fully laden appliance.

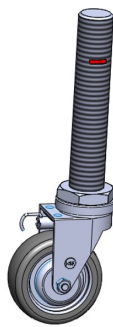
The unit is pre-installed with casters for ease of mobility for cleaning and servicing. Take proper care to push or pull the grill and ensure the grill does not tip over.

Appliances Equipped with Casters

The unit is shipped with casters installed but, some adjustment may be required to level the unit. All casters are adjustable and front casters have brakes.



FRONT CASTER



REAR CASTER

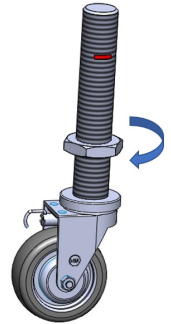
Casters Adjustment Procedure

1. Turn power OFF using main power switch

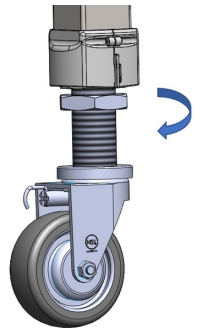


Green light indicates that the Grill power is "ON"

2. Use wrench to turn nut down to bottom



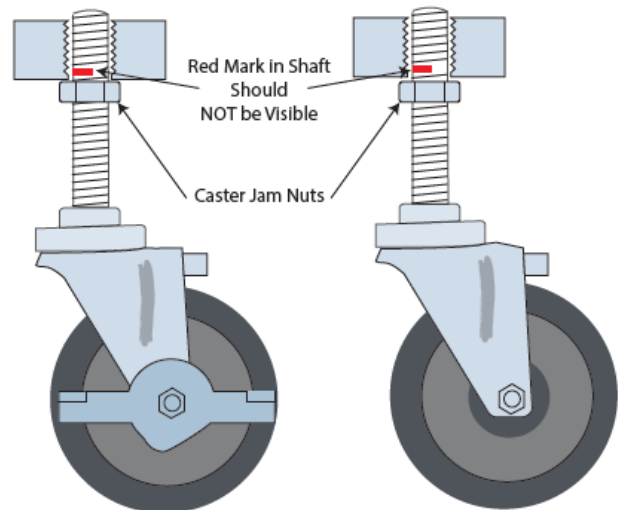
3. Use wrench to turn the nut to lift up the grill.



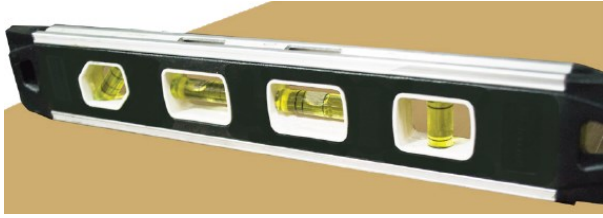
4. Turn the casters stem to set the height.

CAUTION

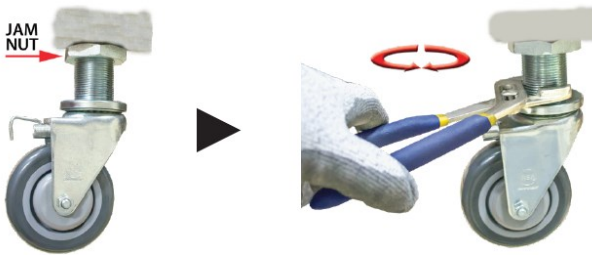
Red Mark in Shaft Should NOT be Visible



5. Place the level device on top of the grill to make horizontal and vertical surface adjustment



6. Move the Jam Nut up to the top, do not tighten. If the grill is unlevel, gently place a pump plier on the swivel bottom (bearing cap) to adjust the height of grill to level.



7. Place the grill beside cooking grill

Electrical Connection

Power cable should have been installed in the grill. If cable replacement or new cable installation are needed, please follow procedure below.

CAUTION

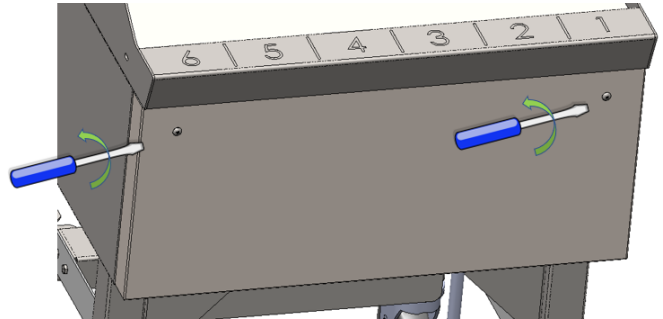
Disconnect power supply before starting this procedure

- All electrically operated appliances must be electrically grounded in accordance with local codes; or in the absence of local codes, with the latest edition of National Wiring Regulations. See rating serial plate mounted on the right side panel for proper voltage.
- The entry point for the electrical connection is located on the rear of the appliance.
- **Do not** cut or remove the grounding prong from

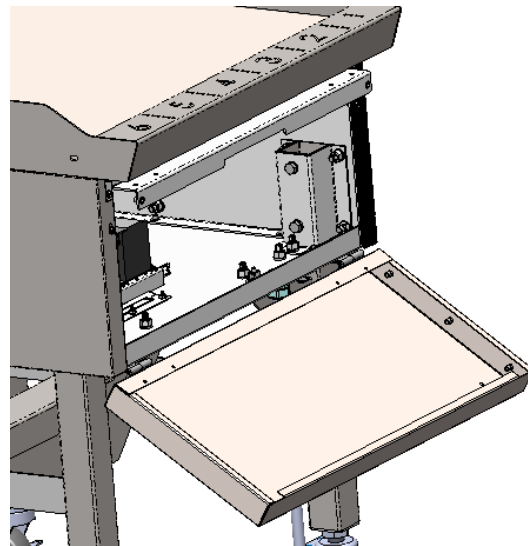
the plug.

- Adequate means of disconnection of the supply must be provided.
- It is recommended to allow enough slack on the electrical cord to allow the appliance to be pulled out for proper cleaning and maintenance.

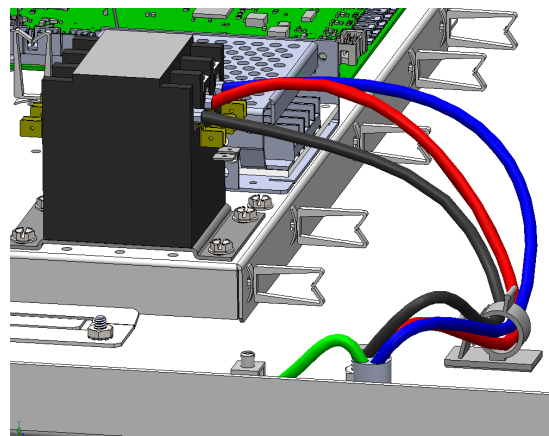
1. Remove screw at back of the grill



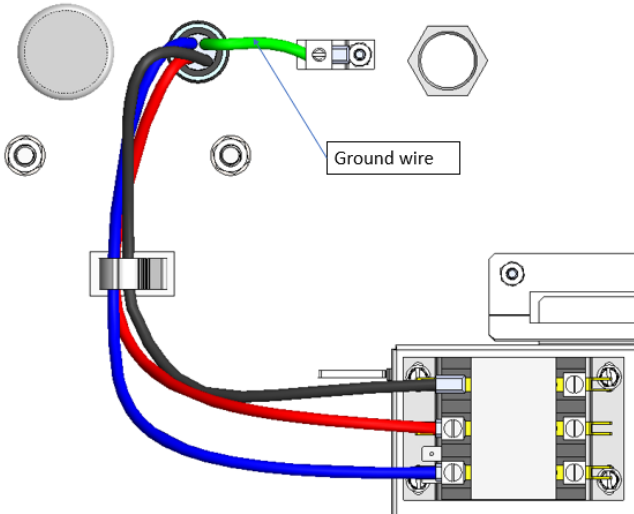
2. Open the back panel slowly



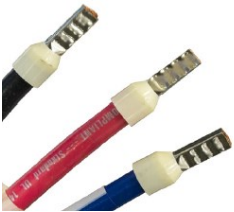
3. Connect power cord cable into contact.



Power Supply Terminal



CAUTION



Ensure all wires has terminal pin installed and crimped to each wire end

Startup Procedure

CAUTION

Do not operate the unit without reading and understanding the safety requirements

Sequence of Operation

Make sure that cooking surface is clear. Remove plastic cover on the panels.

Power Switch turns the grill OFF or ON.

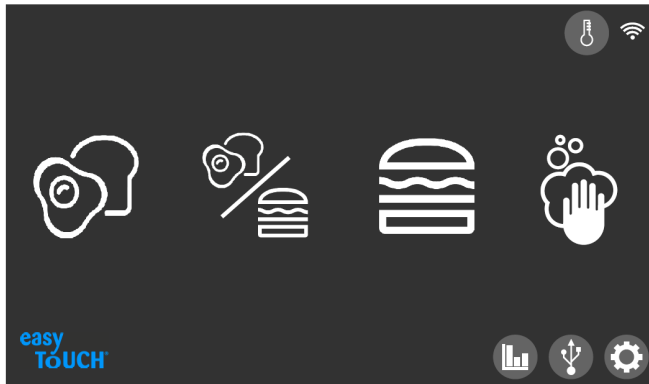


Green light indicates that the Grill power is "ON"








Section 3

Operation

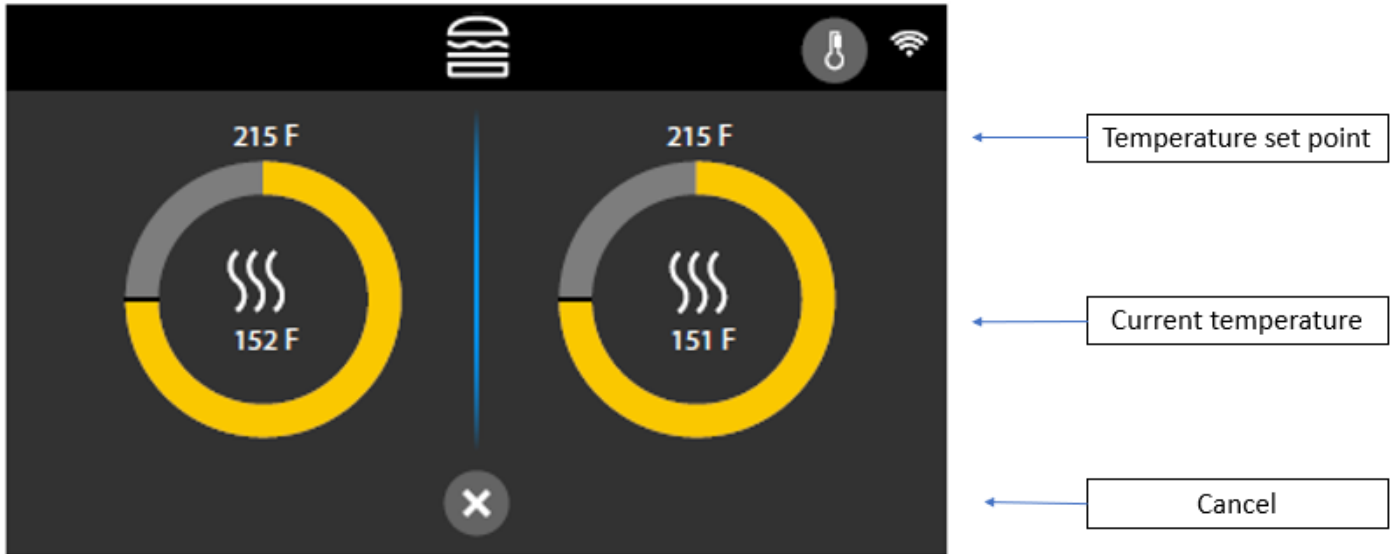
Sequence of operation



Home Screen

<p>COOKING MODE</p> <p>Press it on Home Screen to go into COOKING MODE</p>	
<p>MIX MODE</p> <p>Press it on Home Screen to go into MIX MODE for COOKING and STAGING mode</p>	
<p>STAGING MODE</p> <p>Press it on Home Screen to go into STAGING MODE for burgers</p>	
<p>CLEANING MODE</p> <p>Press it on Home Screen to go into CLEANING MODE</p>	
<p>STATISTICS</p> <p>Press it on Home Screen to go into STATISTICS screen</p>	
<p>USB OPERATIONS</p> <p>Press it on Home Screen to go into USE OPERATIONS</p>	
<p>SETTINGS</p> <p>Press it on Home Screen to go into SETTINGS.</p>	

Startup & Preheat



Preheat screen

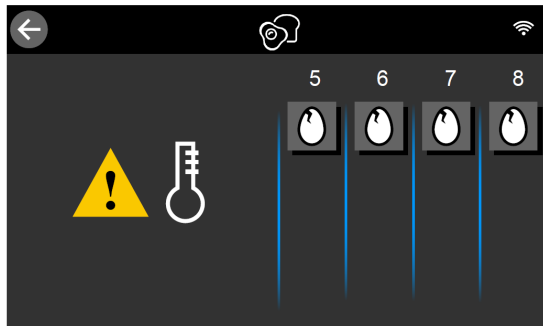


Press it to show all lanes temperature reading.

The Temperature Status (°F) screen displays a table of temperature readings for various lanes. The table is divided into two columns: Left and Right. Each column has a Setpoint and Actual temperature for four different lanes: Rear, Middle, and Front. The setpoint for all lanes is 100°F, and the actual temperature for all lanes is 0°F.

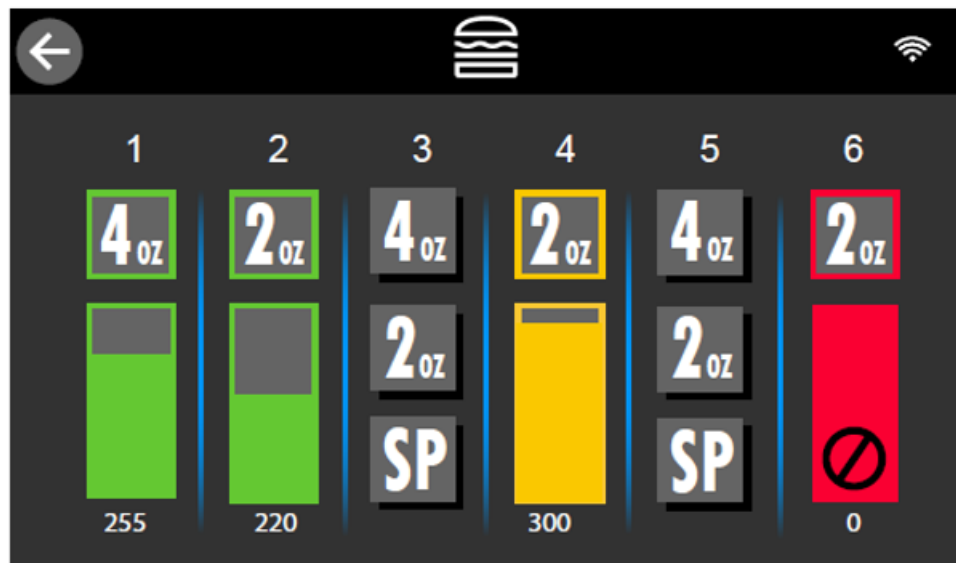
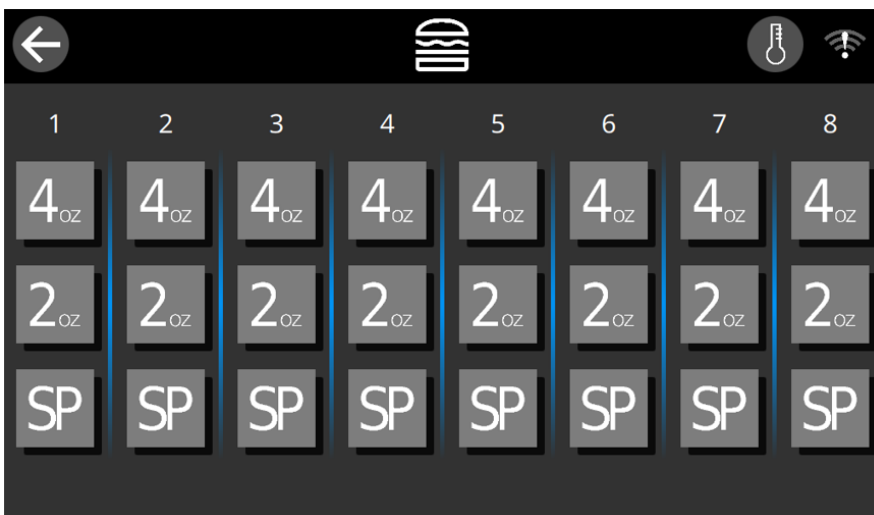
Left		Right	
Setpoint	Actual	Setpoint	Actual
Left Rear	0	Right Rear	0
Left Middle	0	Right Middle	0
Left Front	0	Right Front	0

Error WARNING



One or more heater issue on first half lanes

Normal operation



GREEN
Pick patties from this lane

GREEN
Pick patties from this lane

YELLOW
Pick patties on GREEN lanes first.

RED
Do not use the patty on this lane.



Press to go to Statistic screen

A screenshot of a mobile application's 'Statistics' screen. The screen has a dark background with white text. At the top left is a back arrow icon, and at the top right is a Wi-Fi signal icon. The main content area displays several statistics, each with a label and a value in a grey box: 'Store ID: XXXXXXXX', 'Cook Cycles: XXXXXXXX', 'Aborted Cook Cycles: XXXXXXXX', 'Stage Cycles: XXXXXXXX', and 'Aborted Stage Cycles: XXXXXXXX'. At the bottom, there are two rows of information: 'S/N: XXXXXXXXXXXXXXXX' and 'Firmware: XX.XX.XXX' in the first row, and 'Install Date: XX-XXX-XX' and 'SIB: XX.XX.XXX' in the second row.

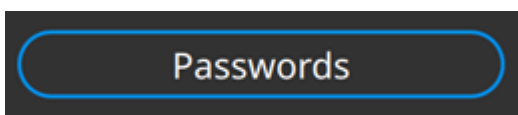
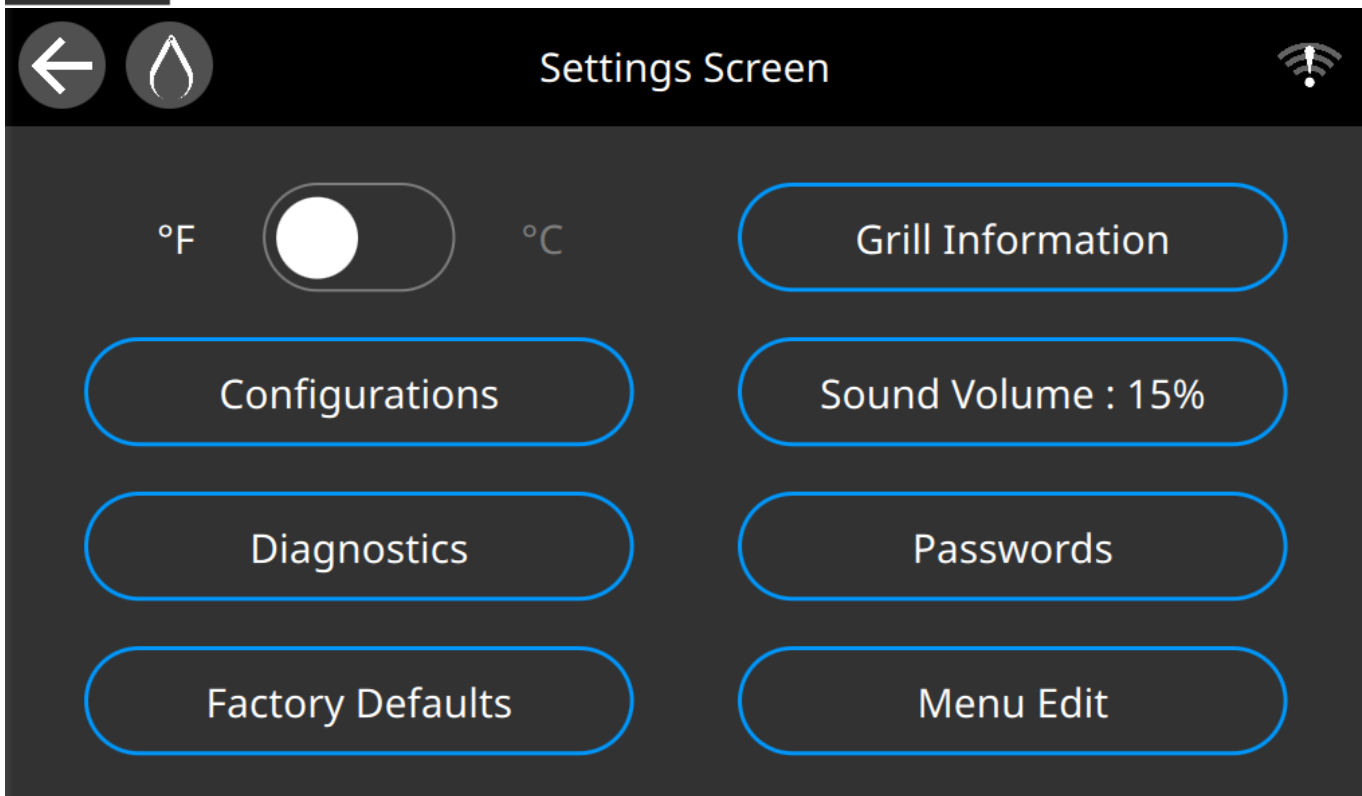


Press to go to USB operation

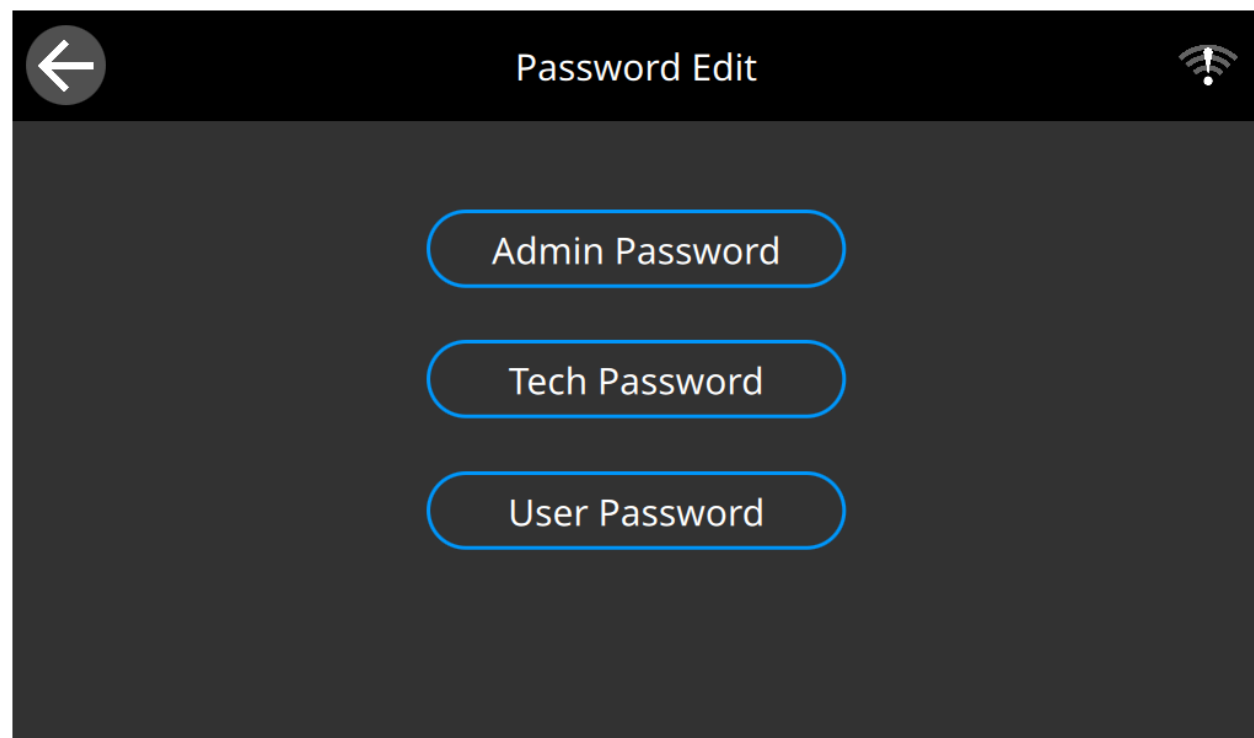
A screenshot of a mobile application's 'USB Operations' screen. The screen has a dark background with white text. At the top left is a back arrow icon, and at the top right is a Wi-Fi signal icon. The main content area features three large, rounded rectangular buttons with blue outlines, stacked vertically. The buttons are labeled 'Software Update', 'Import Menus', and 'Export Menus' from top to bottom.



Press it to setup the grill

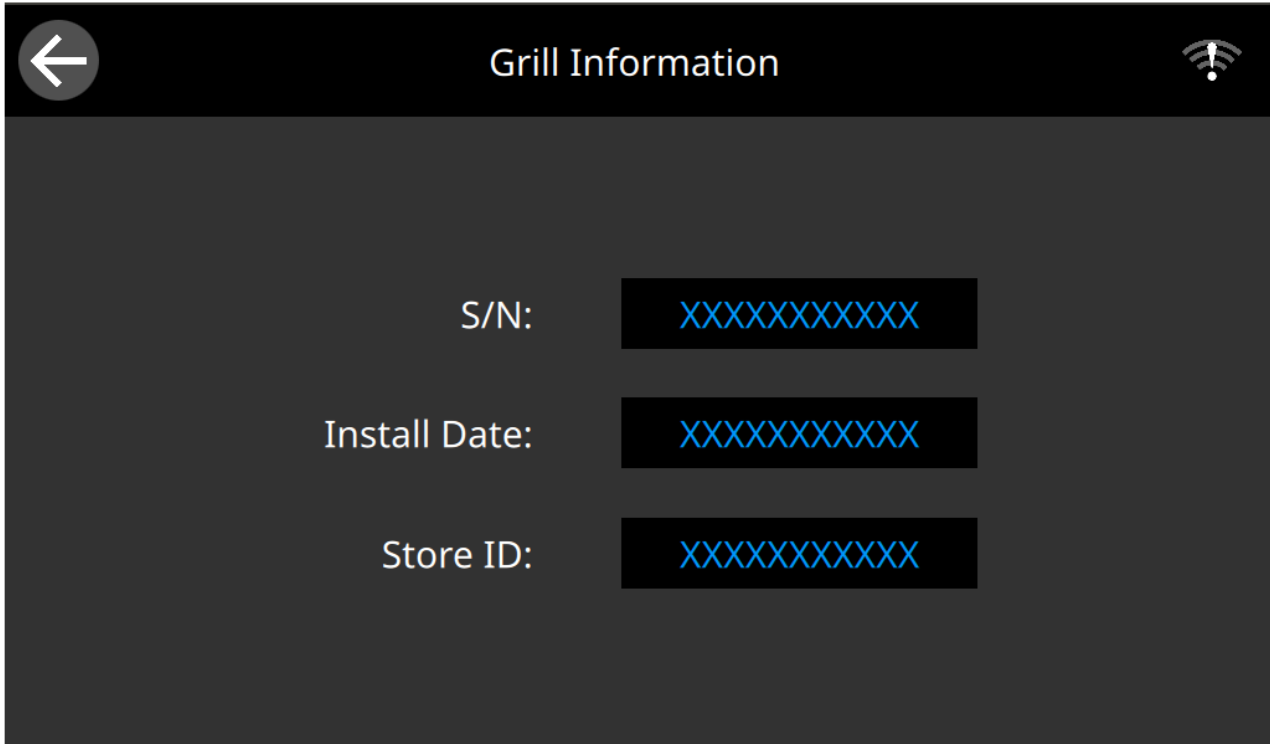


Press to change passwords



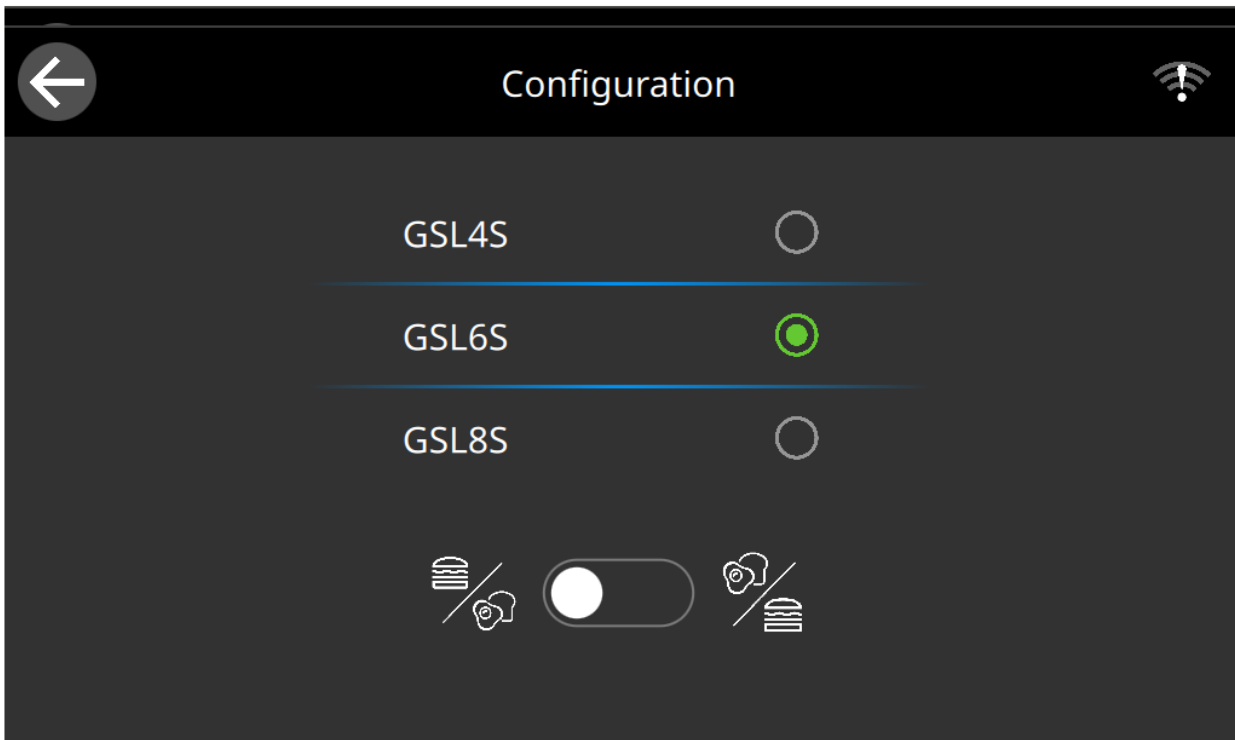
Grill Information

Press to show grill information



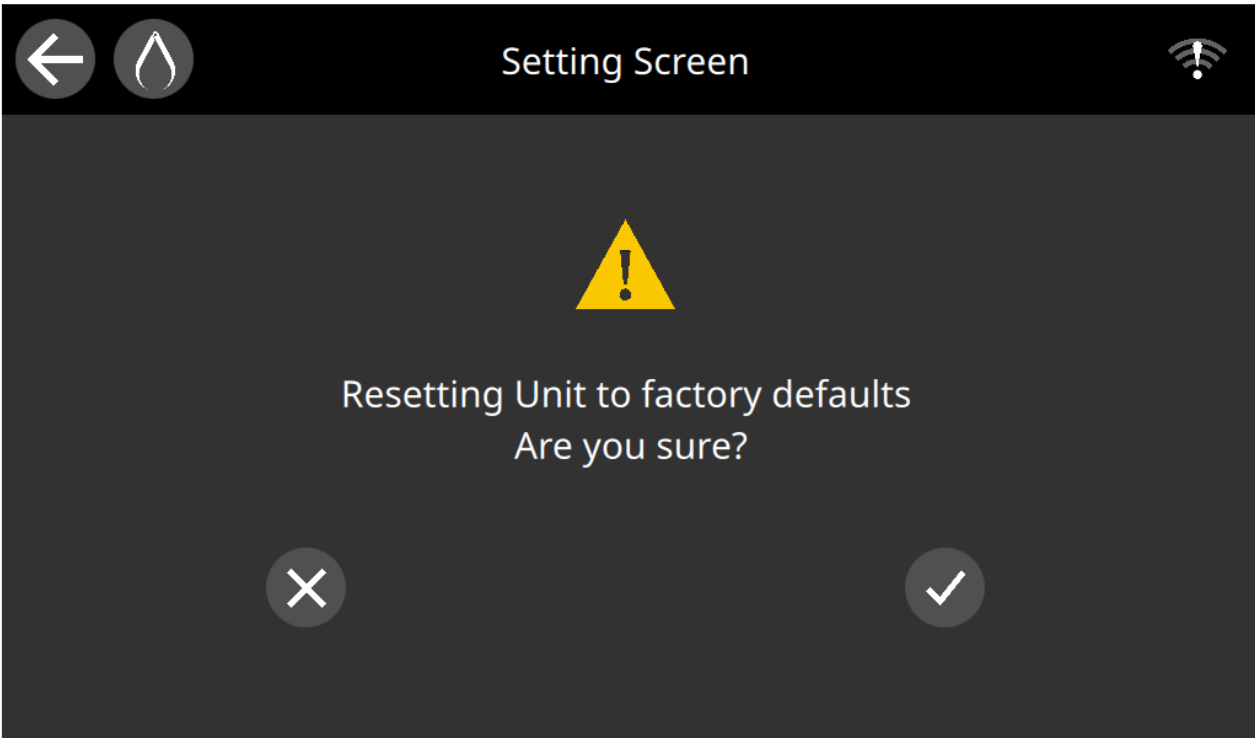
Configuration

Press to change configuration



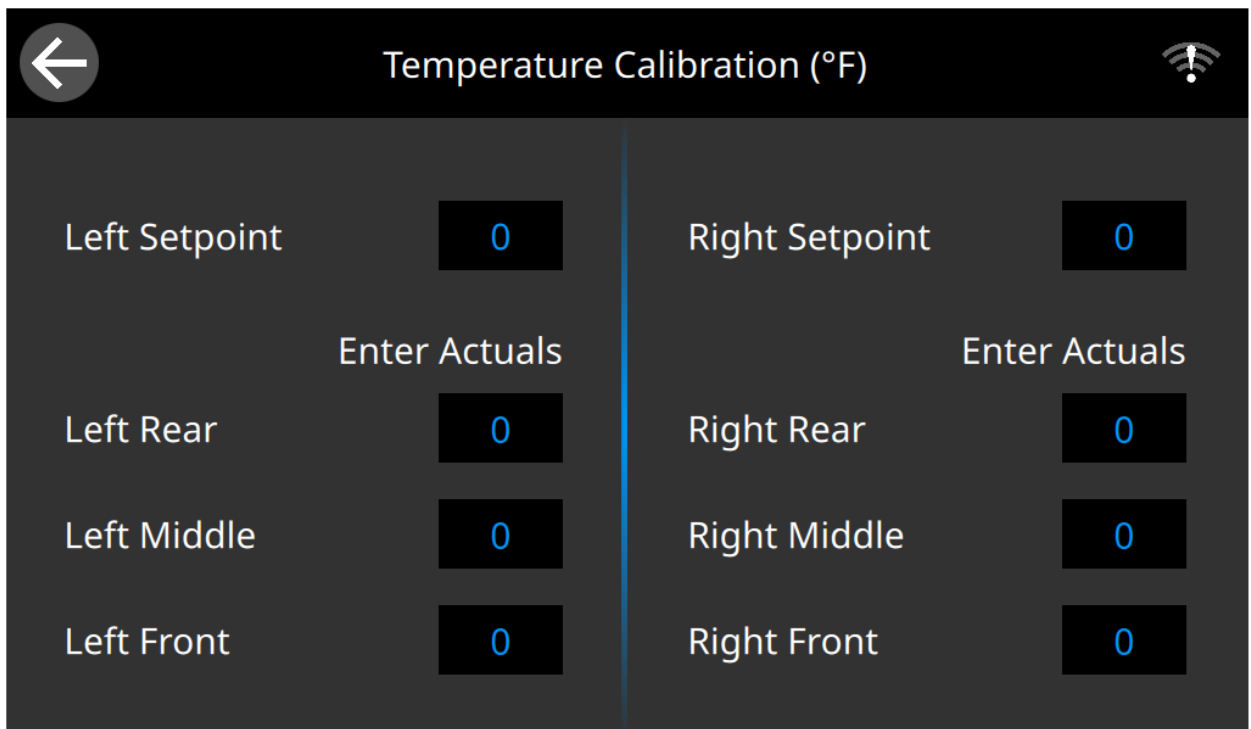
Factory Defaults

Press to change setup



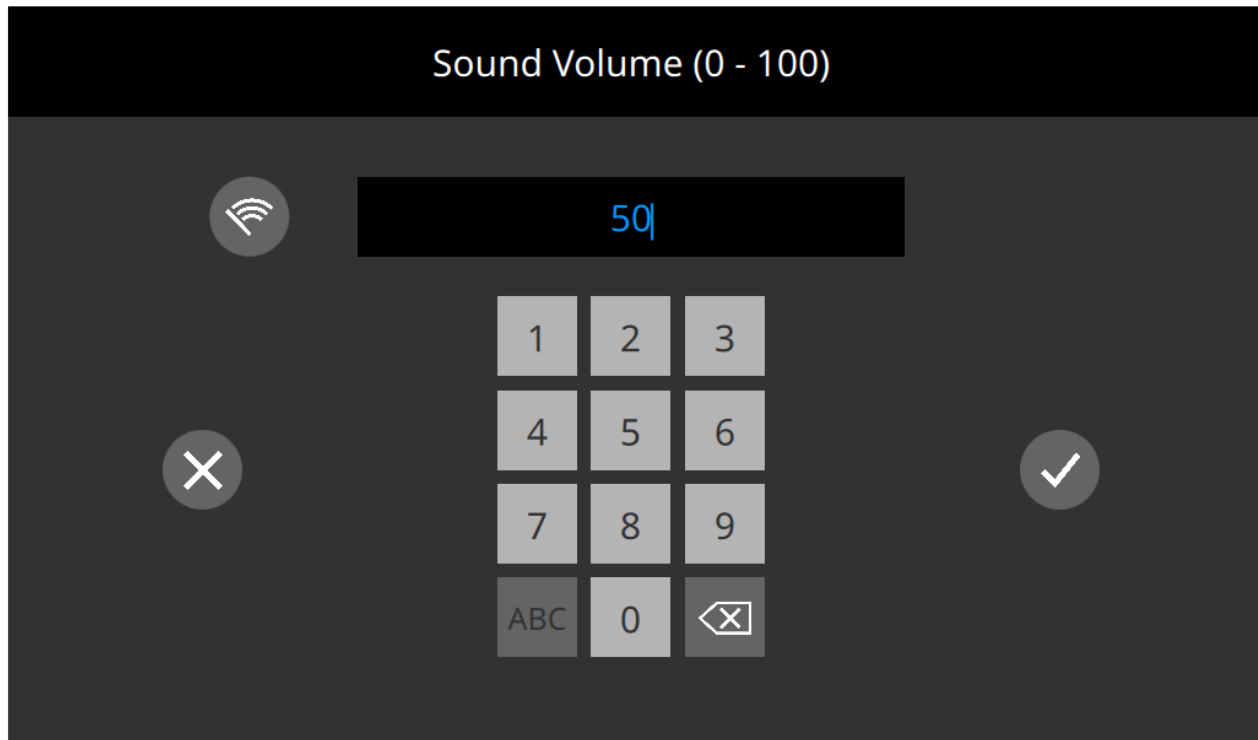
Temperature Calibration

Press to calibrate the temperature



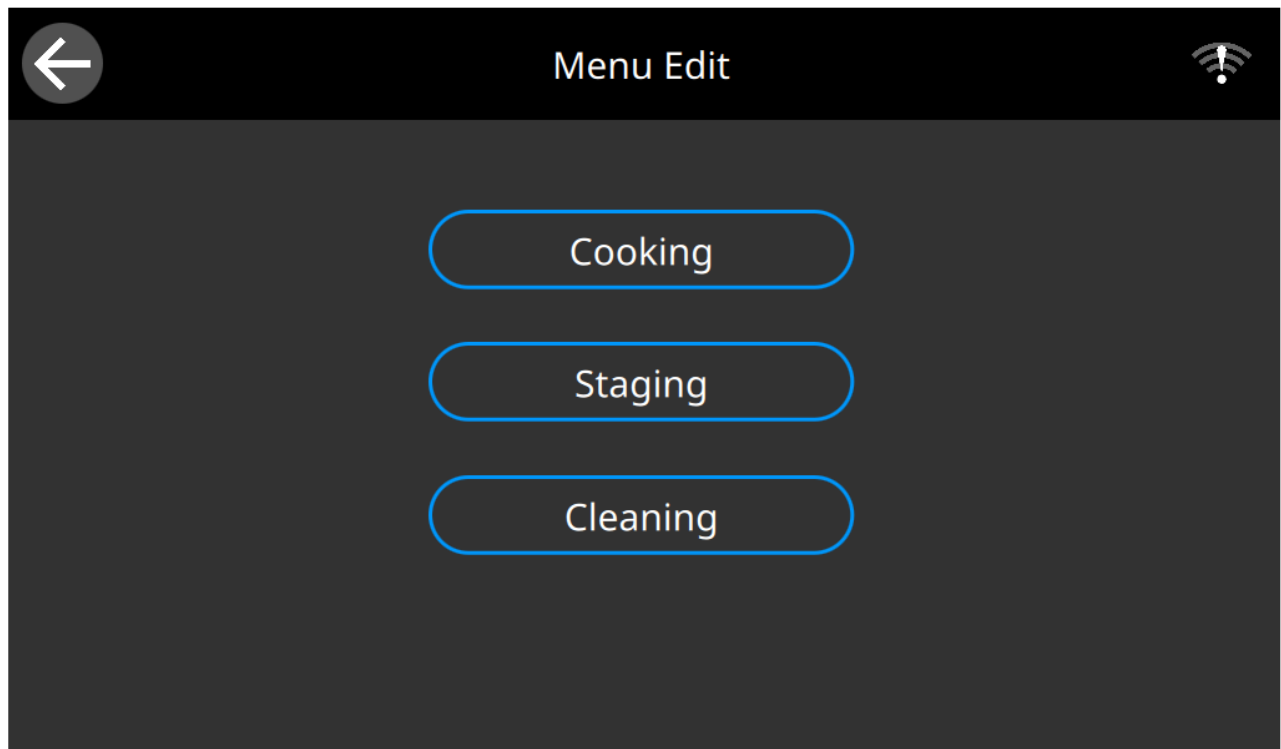
Sound Volume : 50%

Press to change sound volume

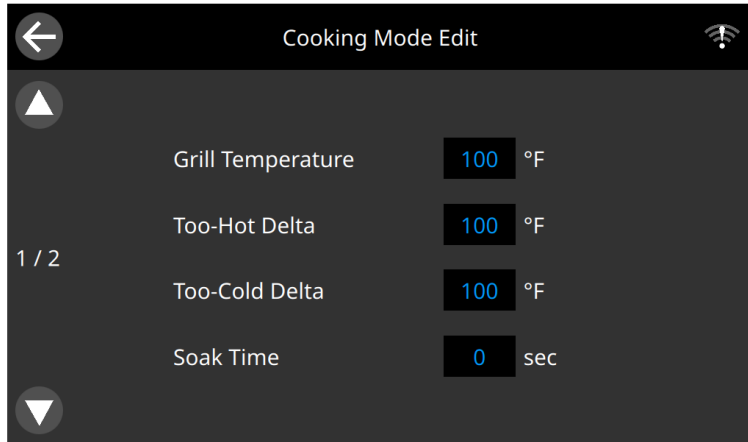


Menu Edit

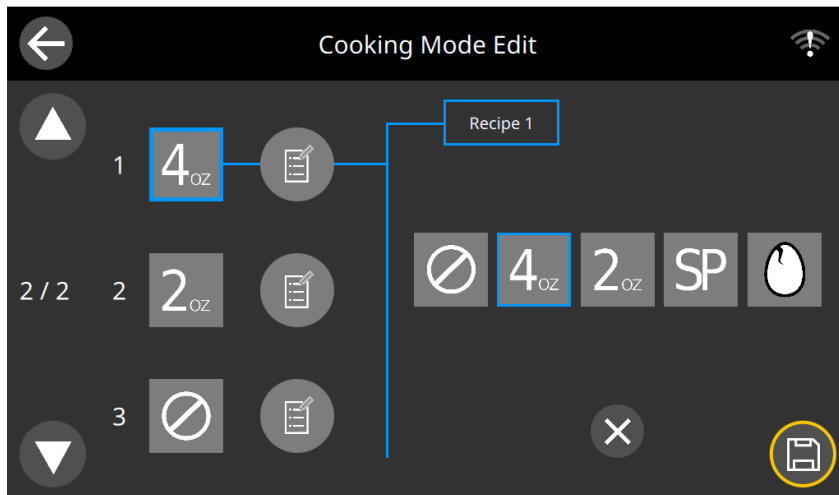
Press to change and made menu



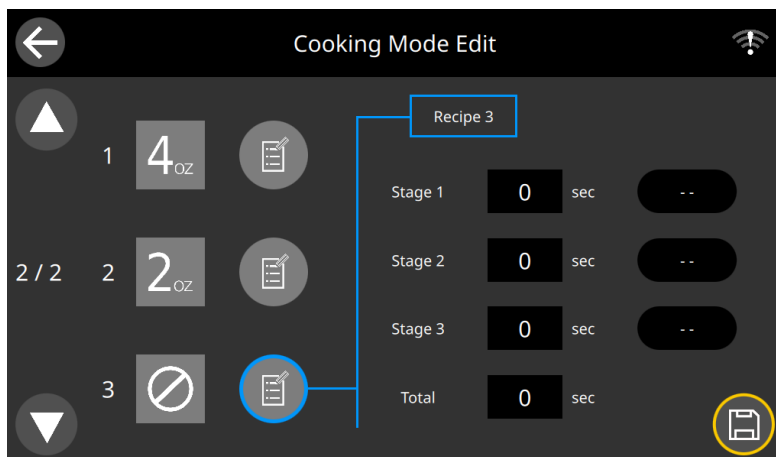
Press   to change the pages



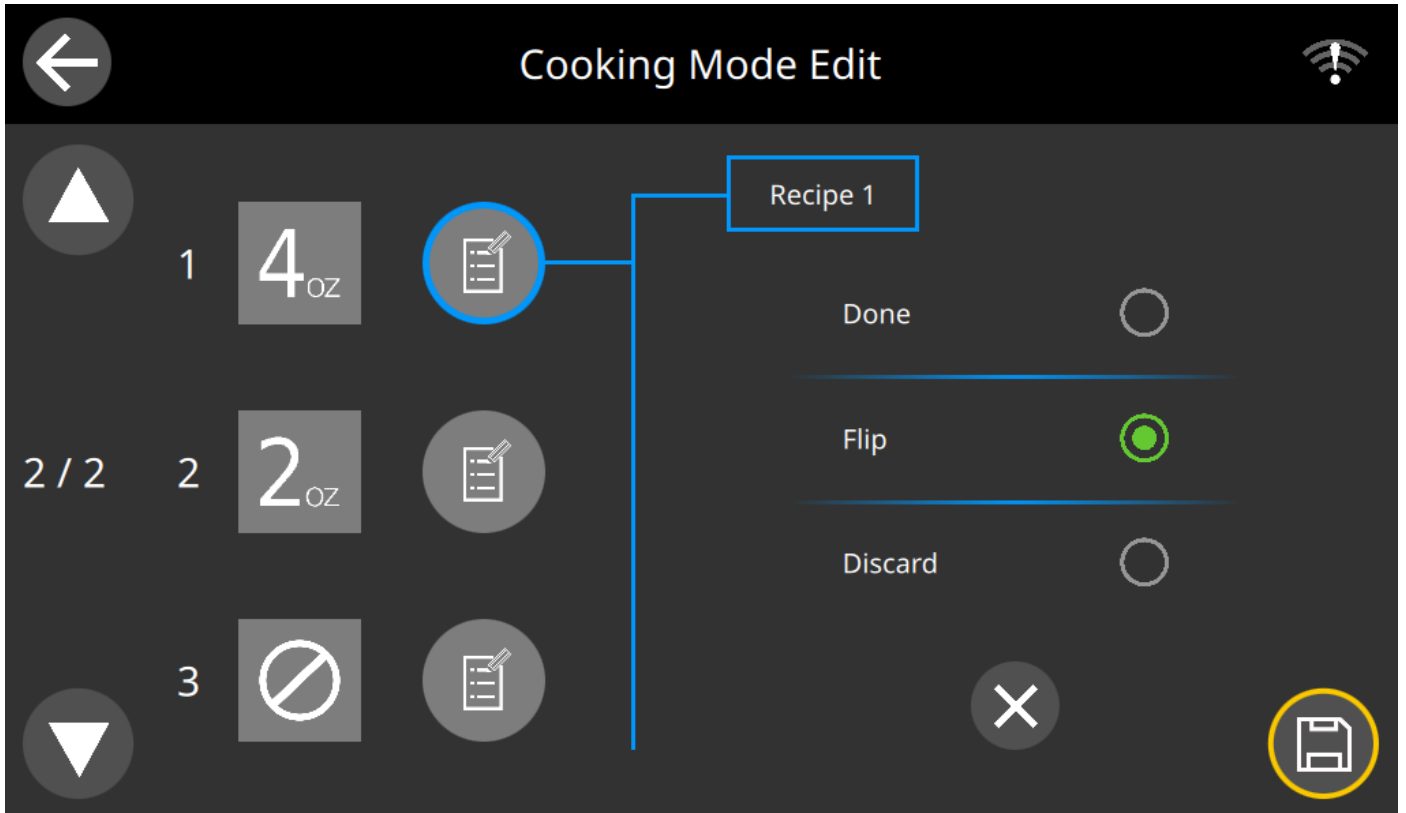
Press 



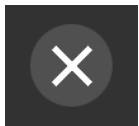
Press 



Press



Press



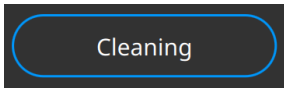
to cancel the change.

Press

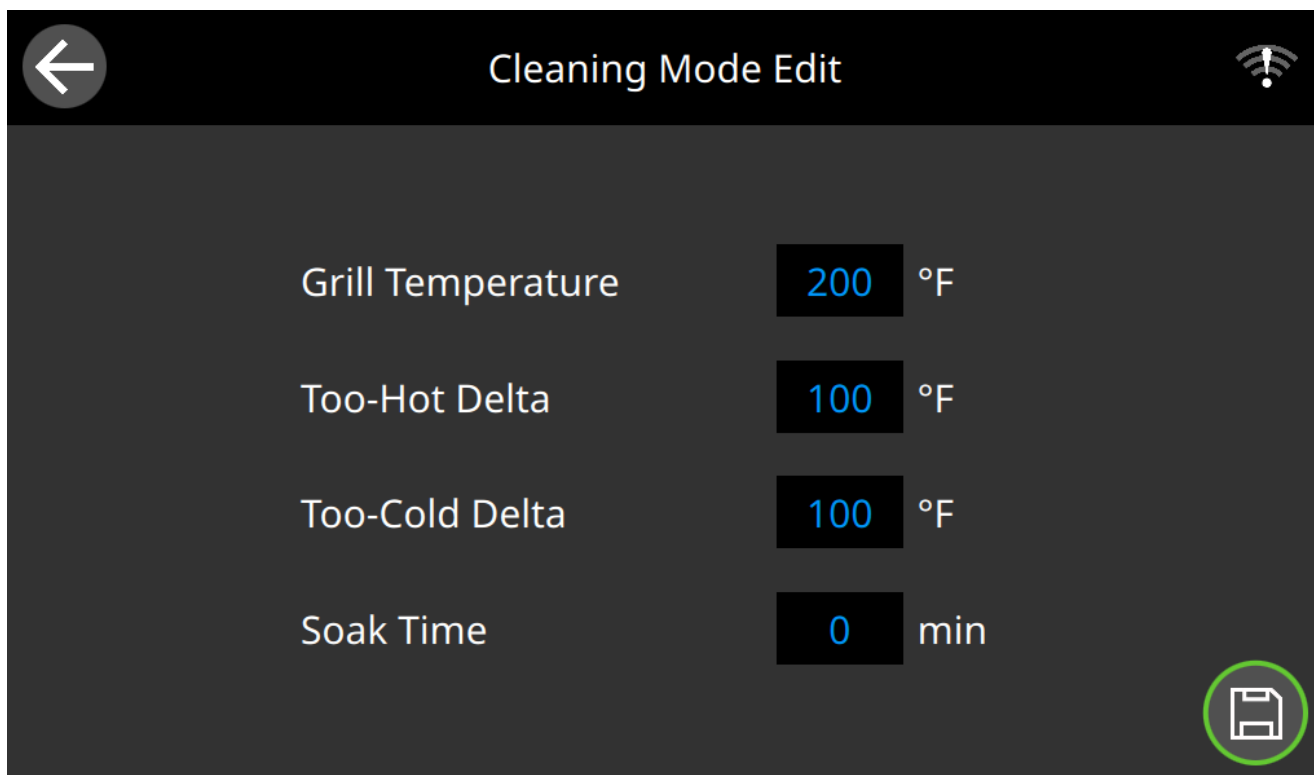
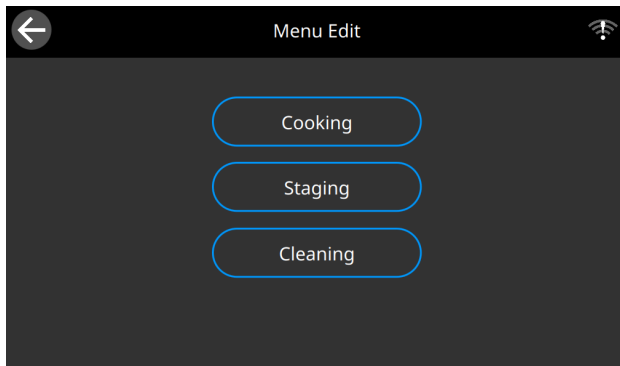


to save the change.

Press



on



Home page →
Cooking mode
Mix mode
Staging mode
Cleaning mode
Statistics
USB operations
Setting

USB operation →
Software update
Import Menu
Export Menu

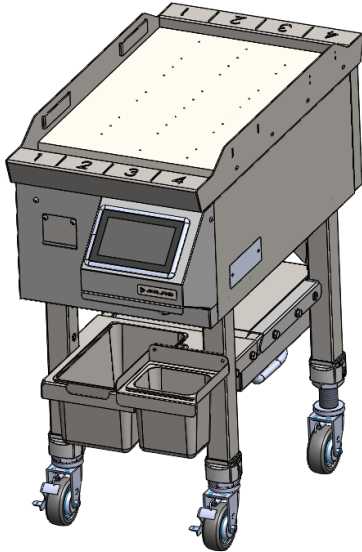
Setting →
Grill information
Time & Date
Configuration
Sound Volume
Diagnostics
Passwords
Factory Defaults
Temperature Calibration
Menu Edit →
Cooking
Staging
Cleaning

Section 4

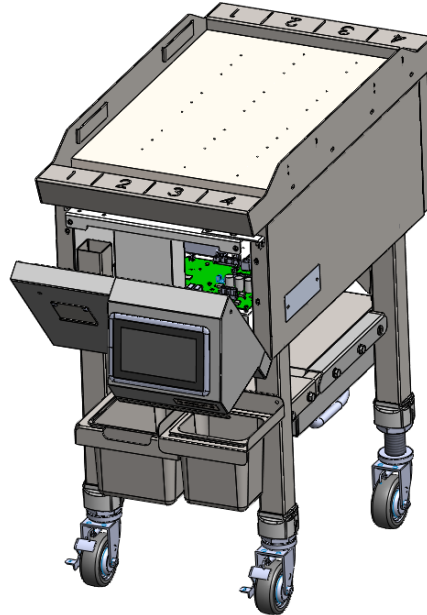
Service

Open front panel

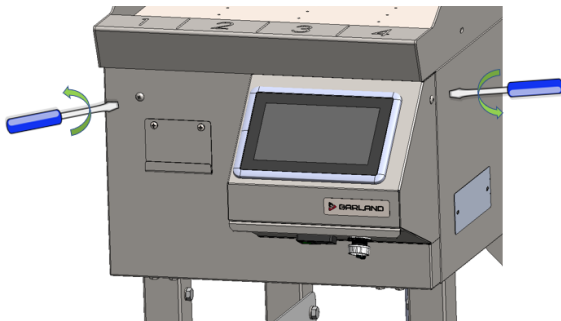
1. Remove squeegee holder



4. Open the front panel slowly.



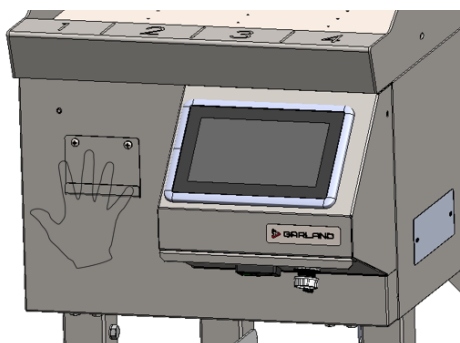
2. Remove screws on the front panel



5. Disconnect the UI cable from SIB board.

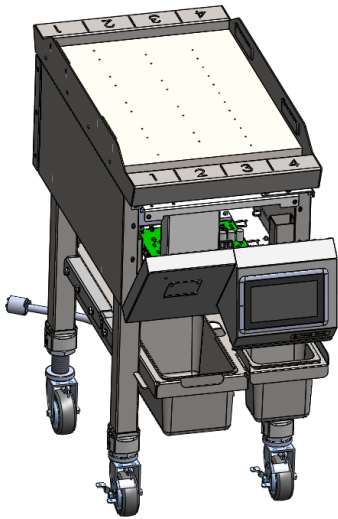
For GSL6S/GSL6D, both screws at front of panel

3. Push the front panel

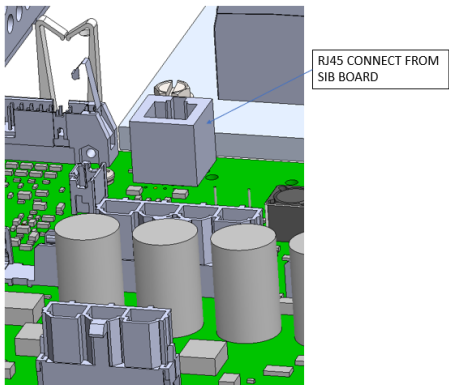


Remove chute assembly

1. Open front panel .

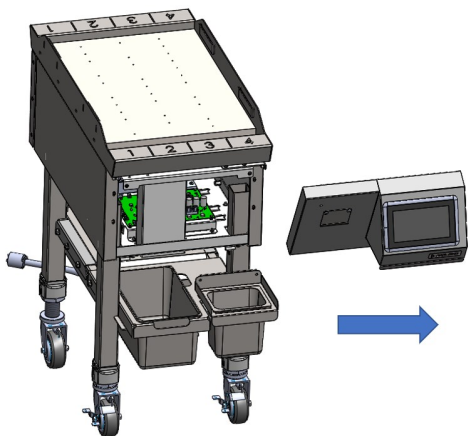


2. Open the panel slowly, disconnect UI cable from RJ45 Port on SIB board, unscrew grounding cables.



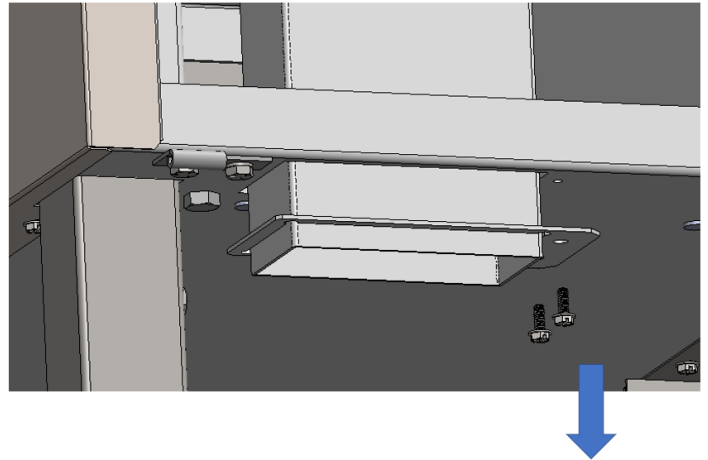
3. Slide front panel out if needed.

(Jump to Step 7 for GSL6S and GSL6D model)



4. Remove screw for grease chute assembly

5. Drop the chute assembly



CAUTION

NO DROPPING GREASE FROM SPROUT

BEFORE MOVING THE CHUTE ASM, PLEASE CLEAN GREASE AT BACK OF ASM AND GREASE IN GRIDDLE SPROUT ASM.

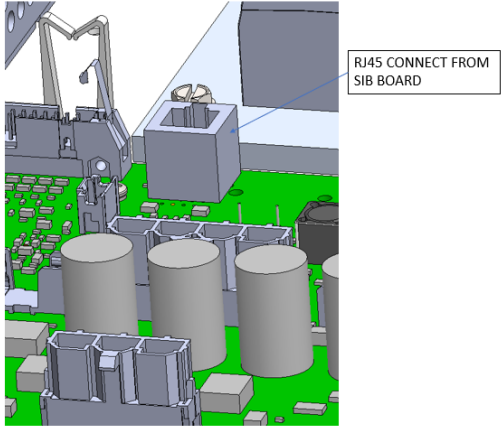
DROPPING GREASE COULD DAMAGE SIB BOARD

6. Remove grease chute assembly

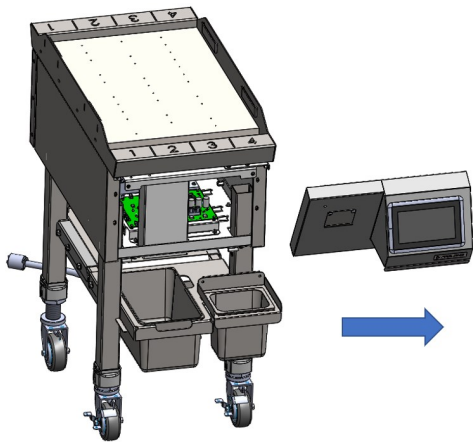
Replace UI

1. Open front panel

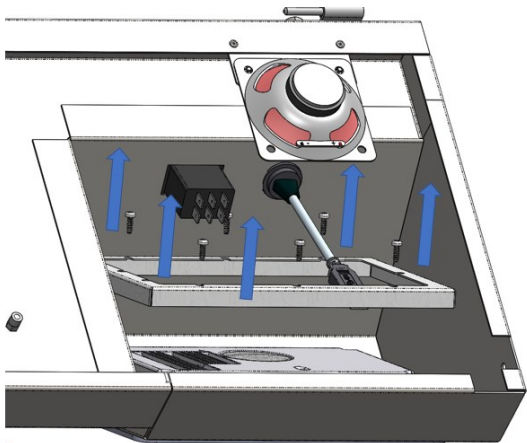
2. Open the panel slowly and disconnect UI cable from RJ45 Port on SIB board



3. Slide front panel out

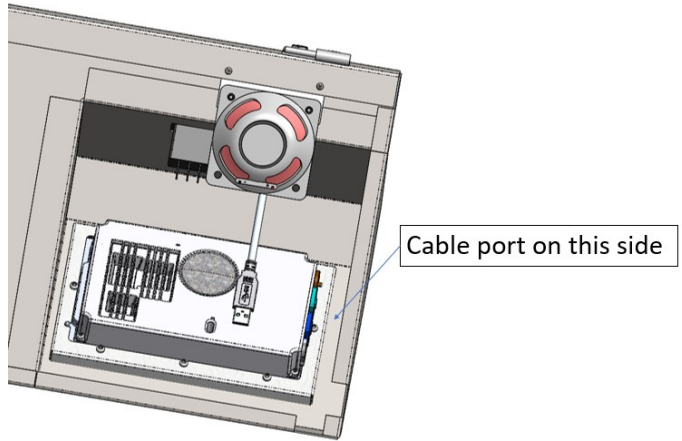


4. Remove screws on the UI clamp with one hand pushing UI on the other side and Remove UI Clamp plate



6. Remove UI

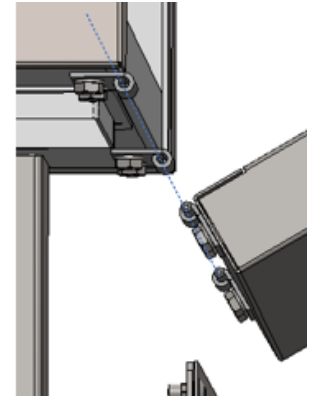
7. Install UI (Ensure Cable ports on the right)



8. Install the screws

9. Slide front panel onto the grill

Angle down front panel a little. Align hinge pin to hinge hole at the same time.

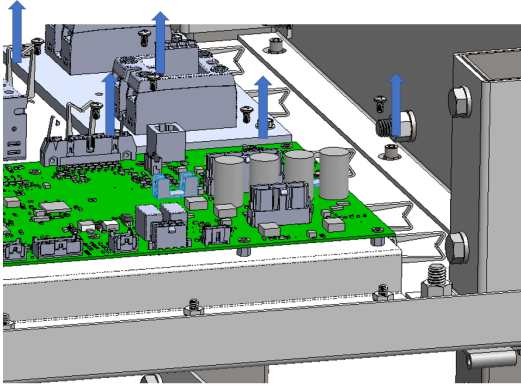


10. Connect UI cable to RJ45 port on the SIB board.

11. Close front panel and install screws.

Replace SIB

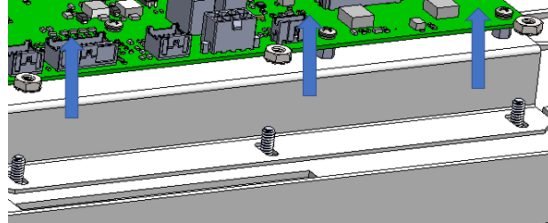
1. Open front panel
2. For GSL4S, remove chute assembly
(Please see REMOVE CHUTE ASSEMBLY instruction for detail)
3. Disconnect all wires on the SIB
4. Remove screws on the SIB



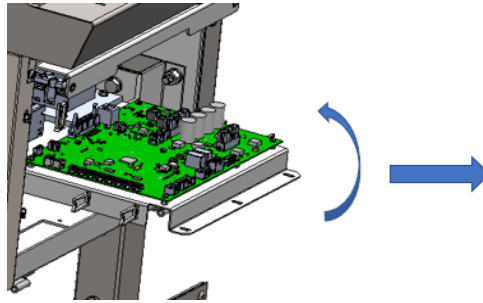
5. Replace new SIB
6. Re-assemble all parts back.

Replace SR

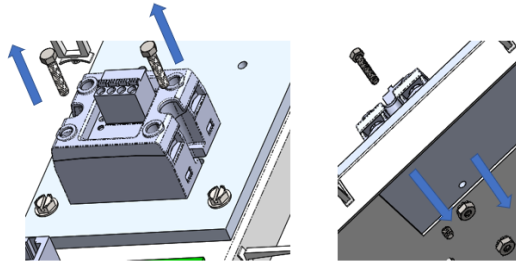
1. Open front panel
2. For GSL4S, remove chute assembly
(Please see REMOVE CHUTE ASSEMBLY instruction for detail)
3. Disconnect wire connected to griddle assembly.
4. Remove nuts for electric assembly bracket



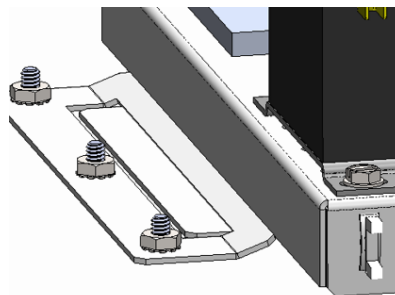
5. Lift the front end and Move bracket out slowly.



6. Remove wire on the SR
7. Remove nut and bolt and replace SR



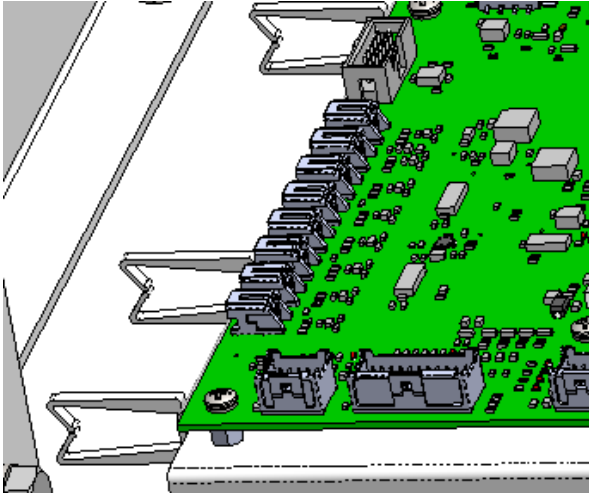
8. Reconnect wire and insert electric asm bracket into holding bracket.



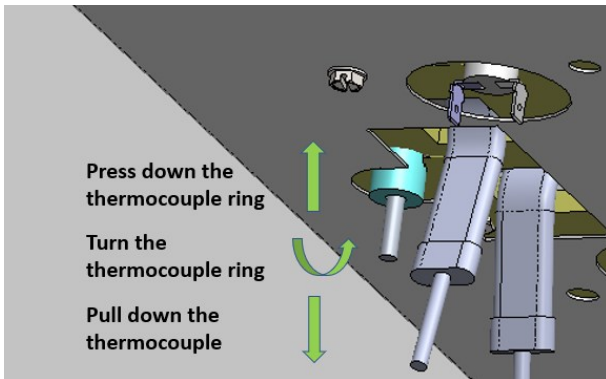
9. Reconnect wires and put nuts back.

Replace thermocouple

1. Open front panel .
2. Remove chute assembly if needed
(Please see REMOVE CHUTE ASSEMBLY INSTRUCTION for detail)
3. Disconnect thermocouple wire on the SIB.



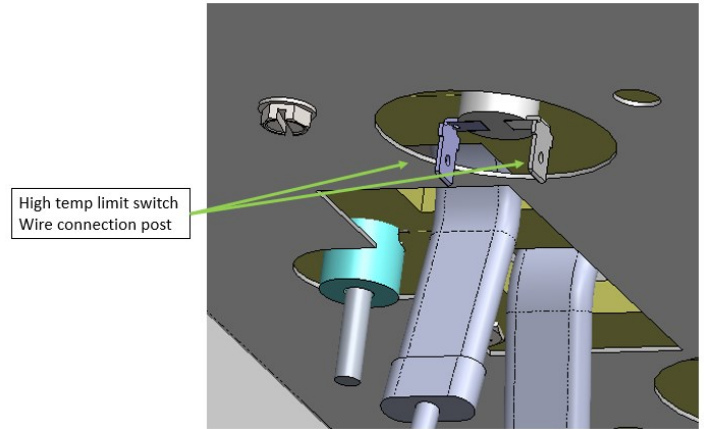
3. Press and turn anti-clockwise the thermocouple
4. Remove the thermocouple



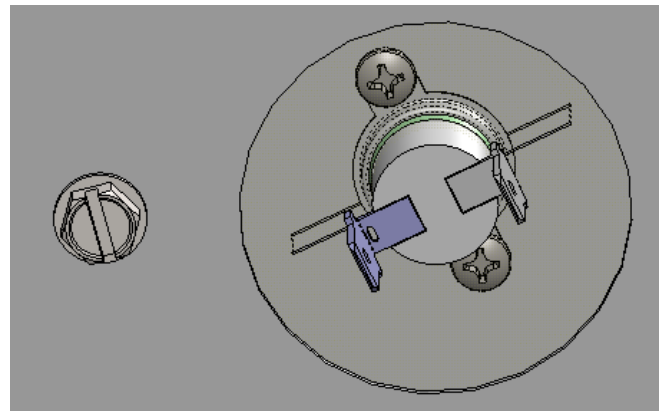
5. Apply thermal compound onto new thermocouple, insert it into thermocouple adaptor and lock the thermocouple by turning clockwise.
6. Connect wire to thermocouple port on the SIB.
7. Thermocouple calibration is needed after replacing new one.

Replace high temp limit switch

1. Open front panel
2. Remove chute assembly if needed
3. Disconnect wire on high temp limit switch



4. Remove screw for high temp limit switch.



5. Remove high temp limit switch.
6. Apply thermal compound onto new high temp limit switch and install it with two screws.
7. Reconnect wires.

Daily cleaning

Tools and supplies



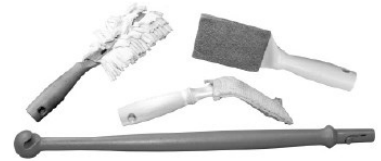
Heat-Resistance
Gloves



Clean,
Sanitizer-soaked
Grill cloths



Bucket for soiled towels
and Grill cloths



Hi temp tool cleaning kit
(mop sock used for s
ingle chassis grill)

Procedure

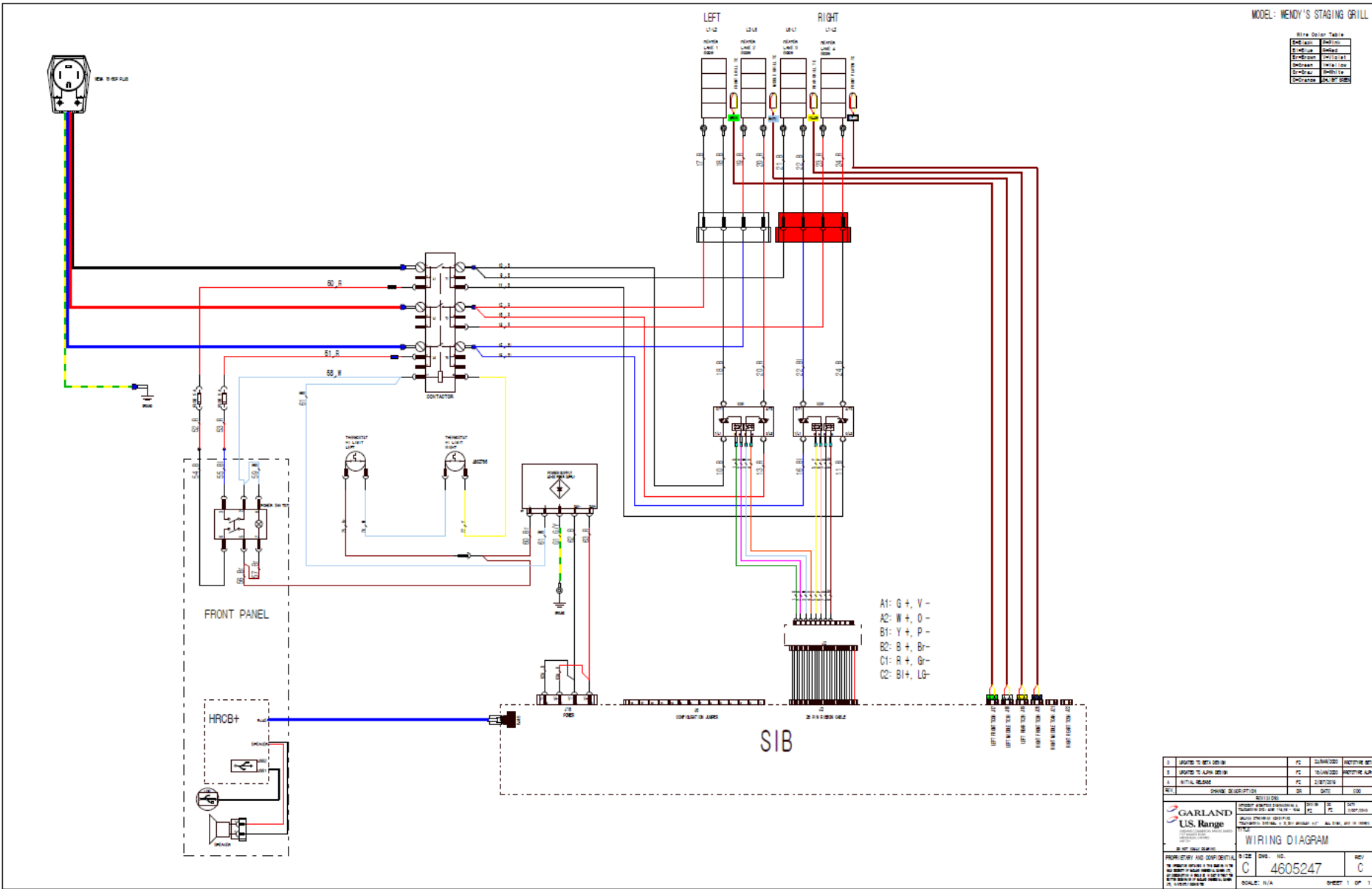
1. Press  on the home screen.

2. Apply sanitizer
3. Clean the cooking surface
4. Use clean cloths to gently clean the screen.

CAUTION

DO NOT POUR WATER ONTO SCREEN

Wire diagram-GSL4S

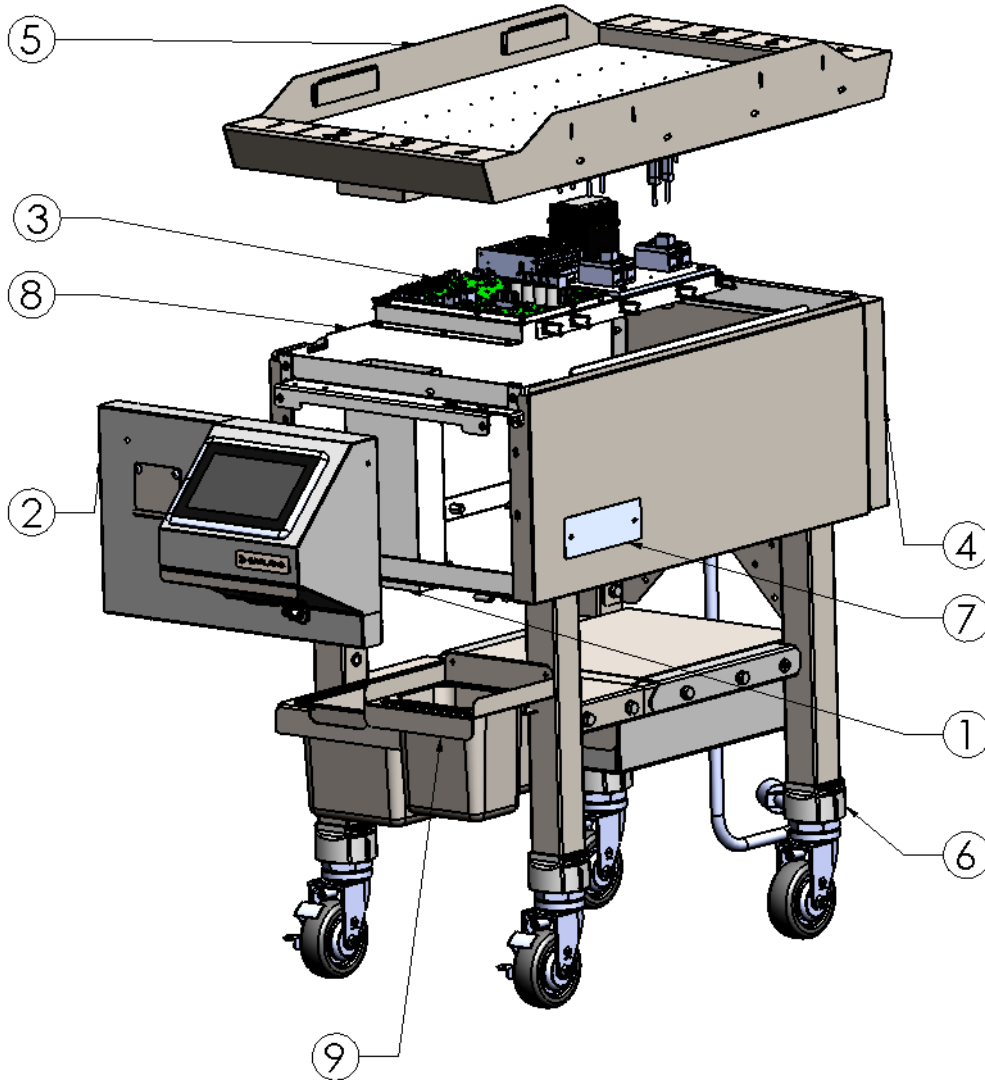


1	120V AC 20A 15A GFI 15A HRCB+	PC	12/15/2000	WENY'S STAGING GRILL
1	120V AC 20A 15A GFI 15A HRCB+	PC	12/15/2000	WENY'S STAGING GRILL
1	120V AC 20A 15A GFI 15A HRCB+	PC	12/15/2000	WENY'S STAGING GRILL
REV	CHANGE DESCRIPTION	BY	DATE	ISS
REV 01/15/2000				
WIRING DIAGRAM				
PROPRIETARY AND CONFIDENTIAL	DATE	DWG. NO.	REV.	
NO REPAIRS SHOULD BE MADE TO THIS RANGE WITHOUT THE ASSISTANCE OF A SERVICE TECHNICIAN. ALWAYS USE THE SERVICE MANUAL FOR THIS RANGE.	C	4605247	C	
SCALE: N/A				SHEET 1 OF 1

Section 5

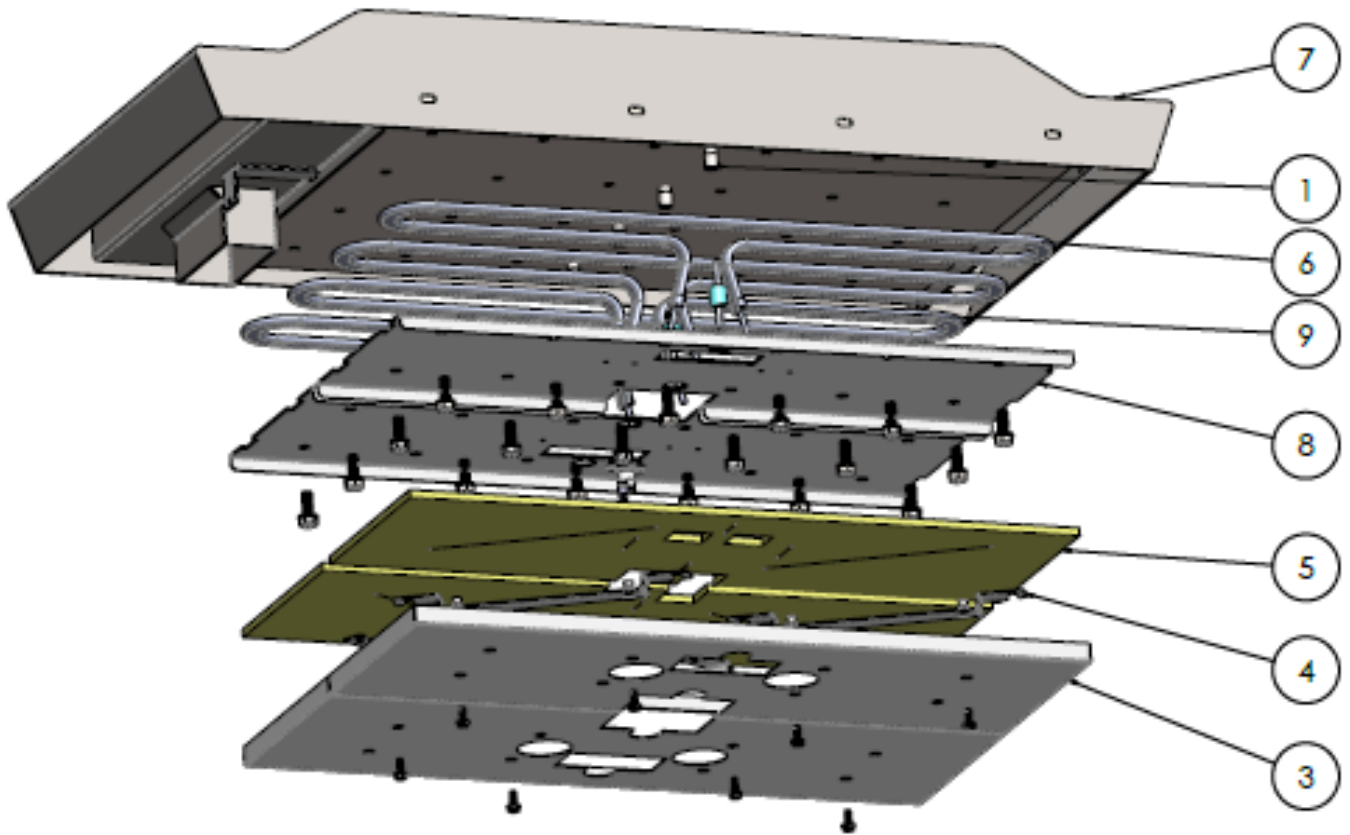
Reference document

Part list-GSL4S



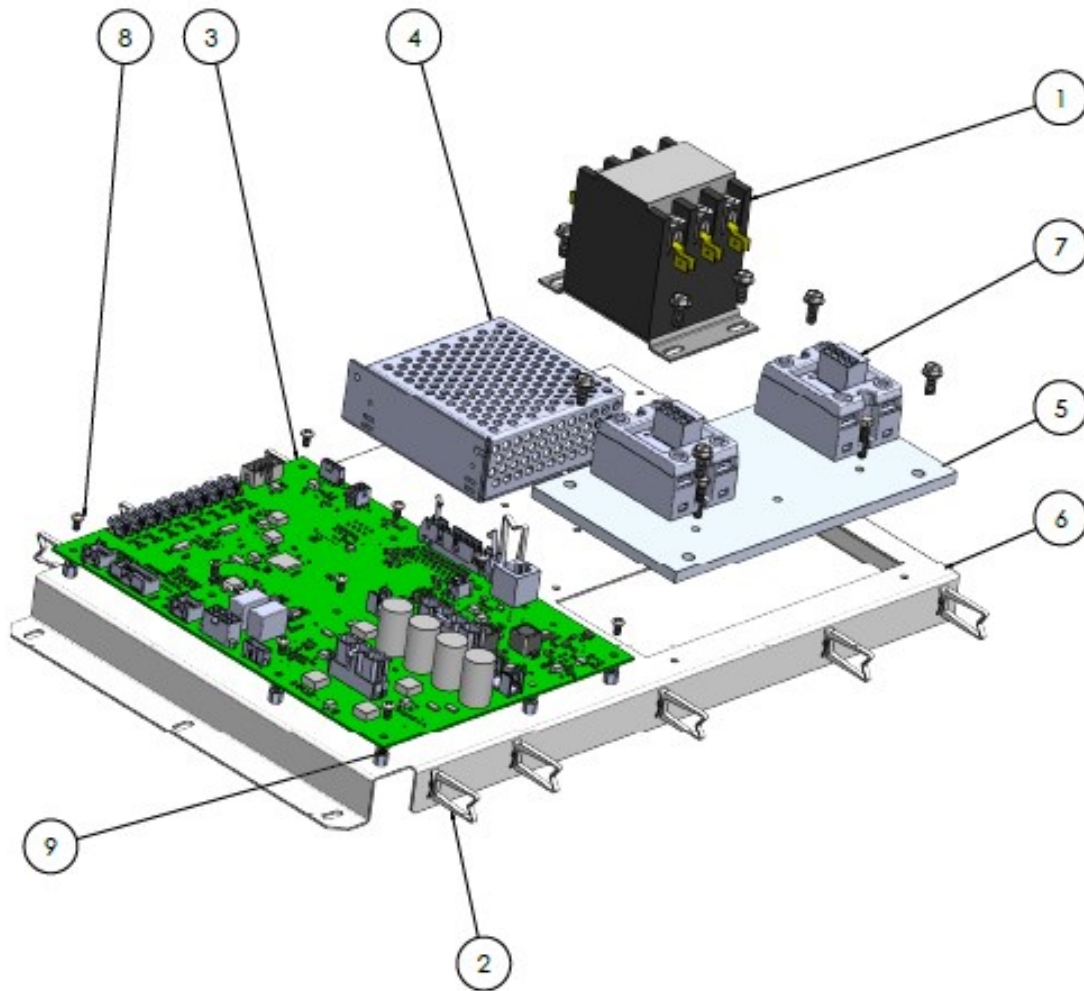
ITEM NO.	PART NUMBER	DESCRIPTION	QTY.
1	4604405	CHUTE ASM	1
2	4605646	4L CONTROL PANEL WITH UI AND SWITCH	1
3	4605651	ELECTRIC ASM. FOR 4L STAGING GRILL	1
4	4605652	4L BACK PANEL	1
5	4605883	GRILL ASM 4L	1
6	4607018	NUT COVER	8
7	4605887	Rating plate	1
8	4605888	CHASSIS 4L	1
9	4606241	SANITIZER PAN BRACKET	1

Part list-GSL4S



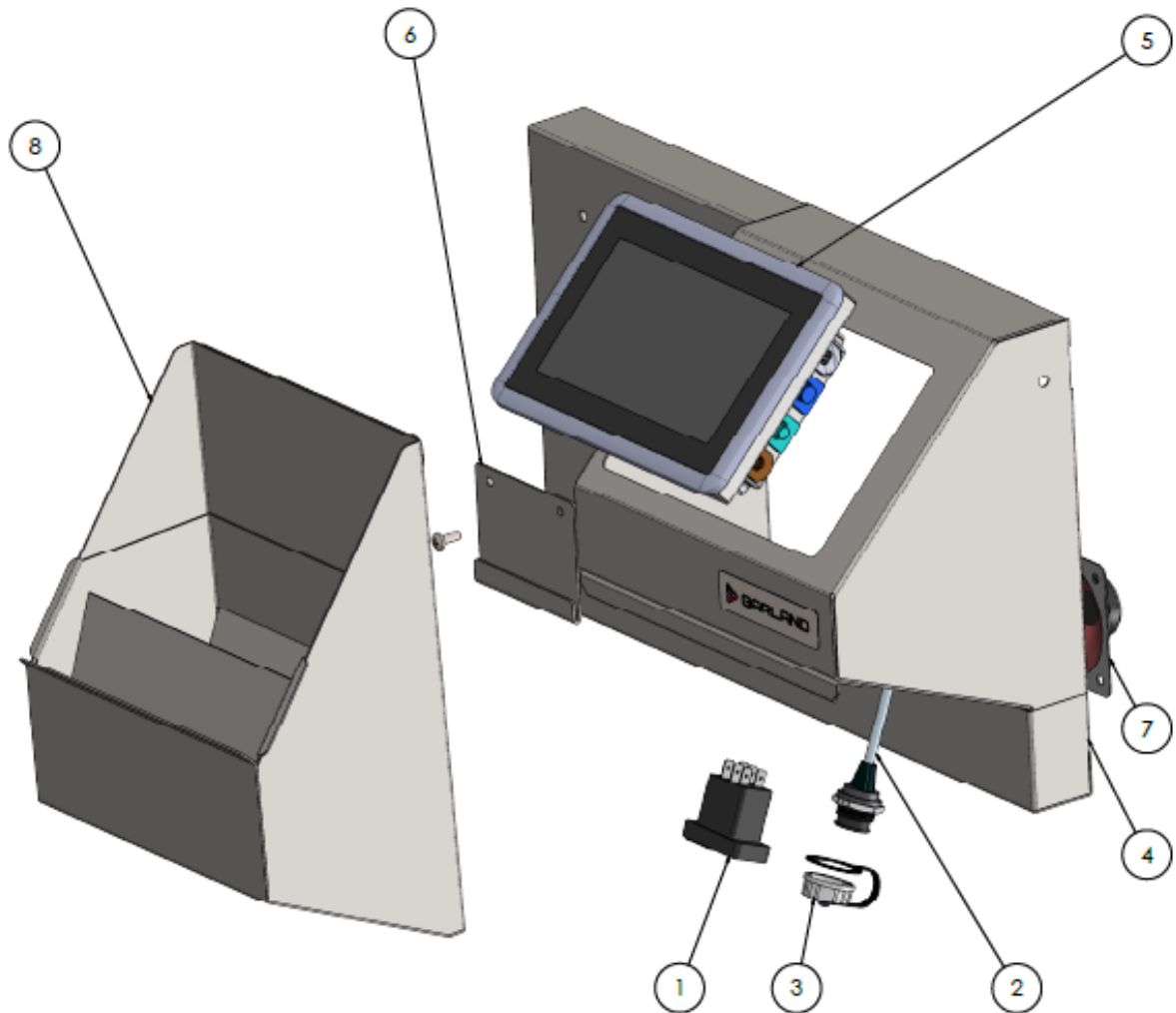
ITEM NO.	PART NUMBER	DESCRIPTION	QTY.
1	1859402	GRILL PLATE BAYONET ADAPTOR	4
2	4600483	THERMOSTAT SPST (OPEN ON RISE 500F, CLOSE 450F)	2
3	4604381	INSULATION PAN	2
4	4604391	INSULATION BRKT	4
5	4604425	INSULATION, HEATER	2
6	4605260	ELEMENT, SGA 1500W	4
7	4605876	GRILL WELDMENT 4L	1
8	4605881	HEATER CLAMP	2
9	4605949	GRILL THERMOCOUPLE-STAGING GRILL	4

Part list-GSL4S



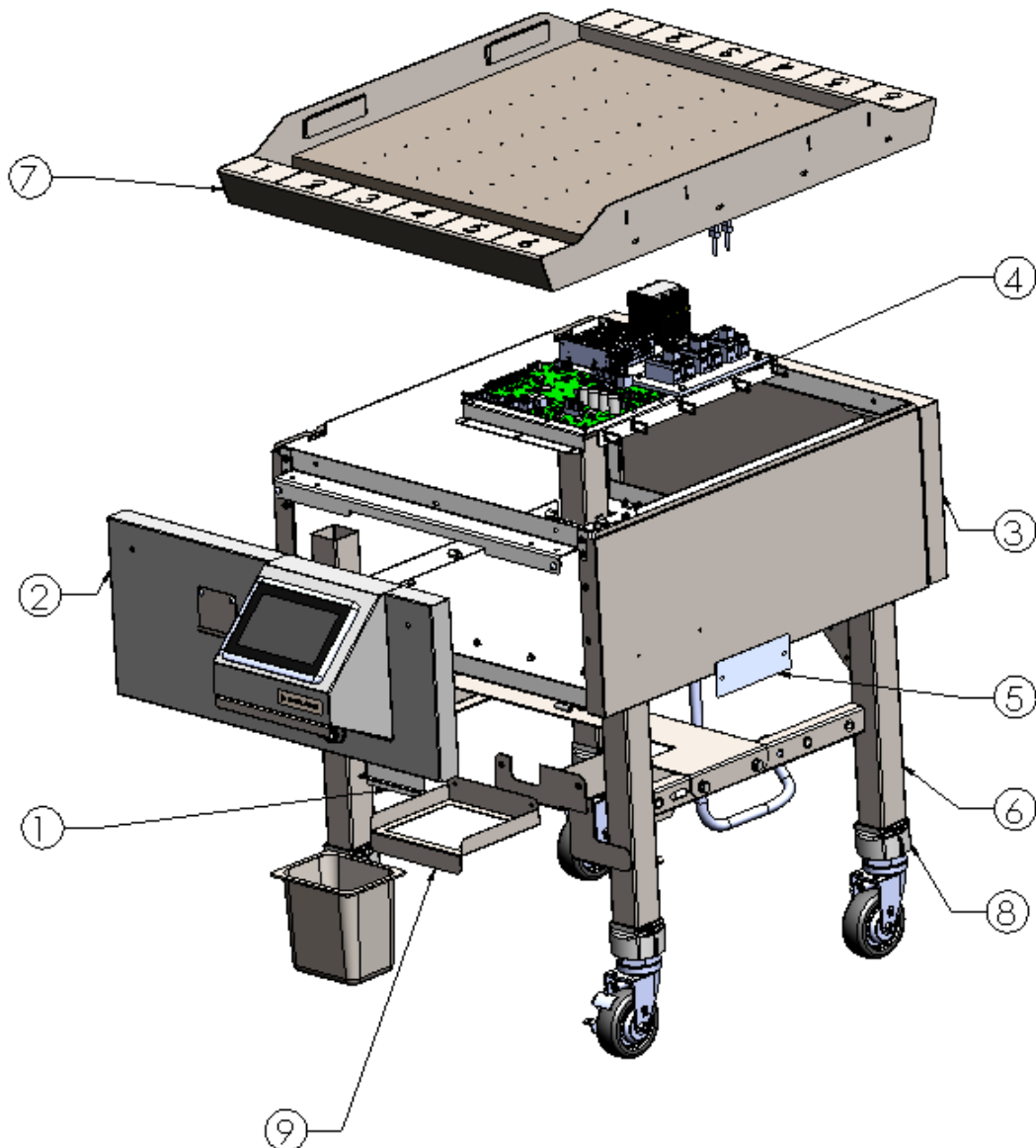
ITEM NO.	PART NUMBER	DESCRIPTION	QTY.
1	1637002	CONTACTOR - 240V COIL	1
2	4532149	WIRE SADDLE FOR 0.188" HOLE 0.74 X 0.42 MAX	14
3	4600695-E	SYSTEM INTEGRATION BOARD-PEARL Rev 9 ELECTRIC	1
4	4604353	POWER SUPPLY 24 VDC 50W	1
5	4604410	HEAT SINK	1
6	4605628	ELEC. ASS BRACKET	1
7	4605630	SSR, 2 POLE 50AMP	2
8	F162	SCREW-6-32X1/4" PHILIP SPAN S/S	10
9	F693	#6 SPLIT LOCK WASHER - 18/8 SS	10

Part list-GSL4S



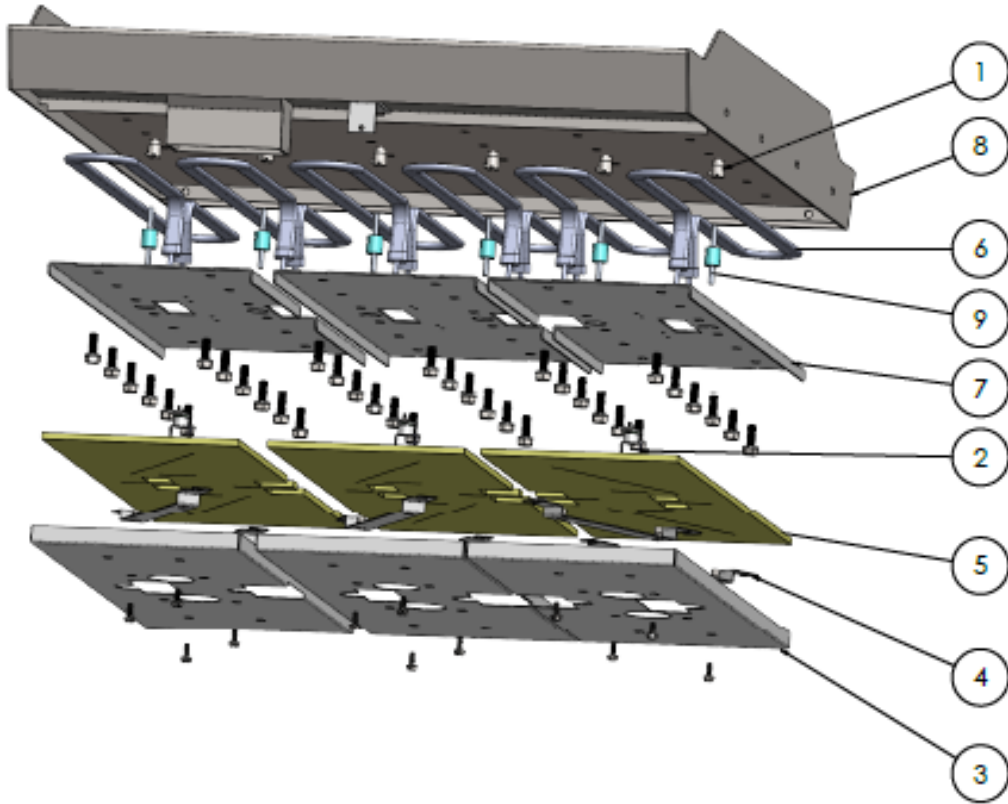
ITEM NO.	PART NUMBER	DESCRIPTION	QTY
1	4520969	ILLUMINATED POWER SWITCH	1
2	4602867	1/4 TURN CAP FRT PANEL MNT USB CONNECTOR	1
3	4602868	Cap USB FT PNL MT	1
4	4605645	4L CONTROL PANEL WITH UI AND SWITCH	1
5	4605536	UI COMMON-JABIL 7 IN, 1GB RM, WIFI VARIANT	1
6	4605412	SQUEEGEE HOLDER BRACKET	1
7	4523482	3" SPEAKER	1
8	4606251	SQUEEGEE HOLDER	1

Part list-GSL6S/GSL6D



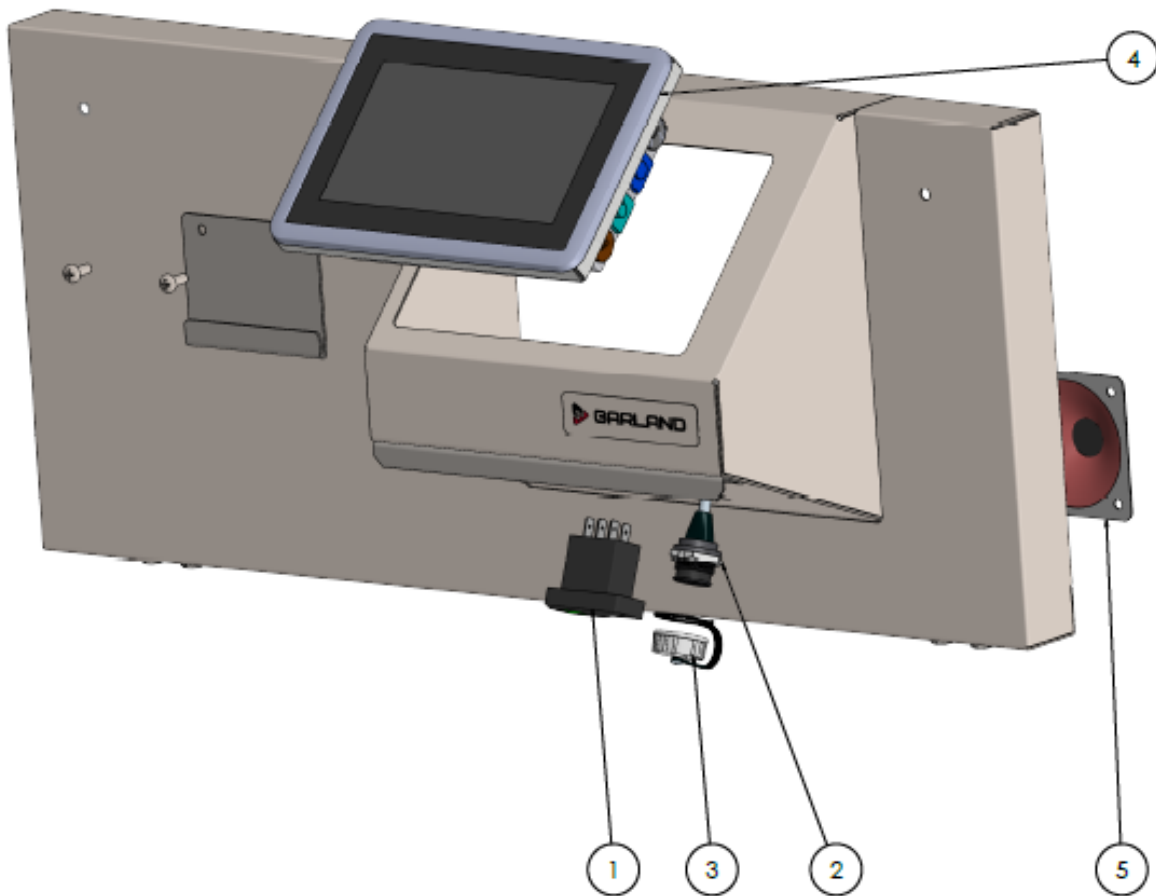
ITEM NO.	PART NUMBER	DESCRIPTION	QTY.
1	4604405	CHUTE ASM	1
2	4605703	6L CONTROL PANEL WITH UI AND SWITCH	1
3	4605705	6L BACK PANEL	1
4	4605717	ELECTRIC ASM. FOR 6L STAGING GRILL	1
5	4605887	Rating plate	1
6	4605889	CHASSIS 6L	1
7	4605898	GRILL ASM 6L	1
8	4607018	NUT COVER	8
9	4606241	SANITIZER PAN BRACKET	1

Part list-GSL6S/GSL6D



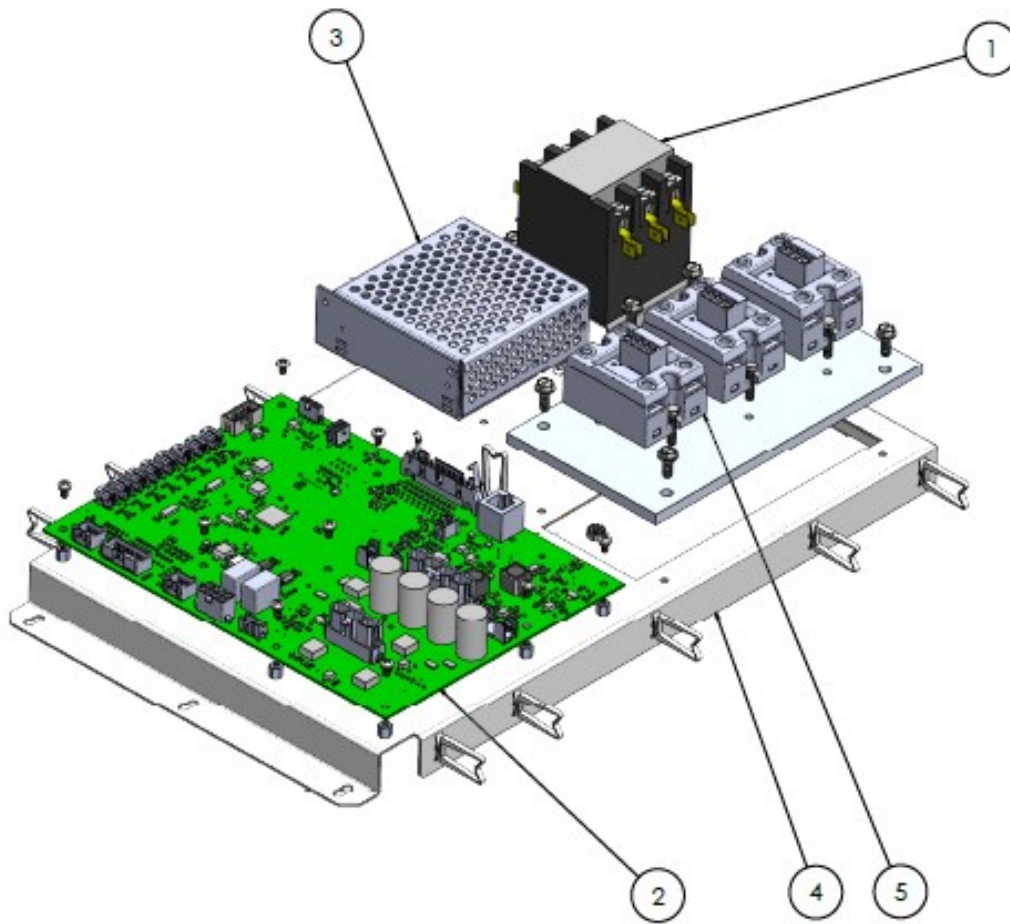
ITEM NO.	PART NUMBER	DESCRIPTION	QTY
1	1859402	GRILL PLATE BAYONET ADAPTOR	6
2	4600483	THERMOSTAT SPST (OPEN ON RISE 500F, CLOSE 450F)	3
3	4604381	INSULATION PAN	3
4	4604391	INSULATION BRKT	6
5	4604425	INSULATION, HEATER	3
6	4605260	ELEMENT, SGA 1500W	6
7	4605881	HEATER CLAMP	3
8	4605896	GRILL WELDMENT 6L	1
9	4605949	GRILL THERMOCOUPLE-STAGING GRILL	6

Part list-GSL6S/GSL6D



ITEM NO.	PART NUMBER	DESCRIPTION	QTY.
1	4520969	ILLUMINATED POWER SWITCH	1
2	4602867	1/4 TURN CAP FRT PANEL MNT USB CONNECTOR	1
3	4602868	Cap USB FT PNL MT	1
4	4605536	UI COMMON-JABIL 7 IN, 1GB RM, WIFI VARIANT	1
5	4523482	3" SPEAKER	1

Part list-GSL6S/GSL6D



ITEM NO.	PART NUMBER	DESCRIPTION	QTY.
1	1637002	CONTACTOR - 240V COIL	1
2	4600695-E	SYSTEM INTEGRATION BOARD-PEARL Rev 9 ELECTRIC	1
3	4604353	POWER SUPPLY 24 VDC 50W	1
4	4605628	ELEC. ASS BRACKET	1
5	4605630	SSR, 2 POLE 50AMP	3