

# Induction RTCSmp Griddles

## Countertop/ Built-In Line Models

### Parts List

#### Countertop models

**SH/GR.....***single griddle*

**SH/DU/GR...***dual griddle*



#### Install Line models

**SH/GR/IN.....***single griddle*



For Built-In Dual Griddle Parts List, see Module Line Griddles and Braising Pans.

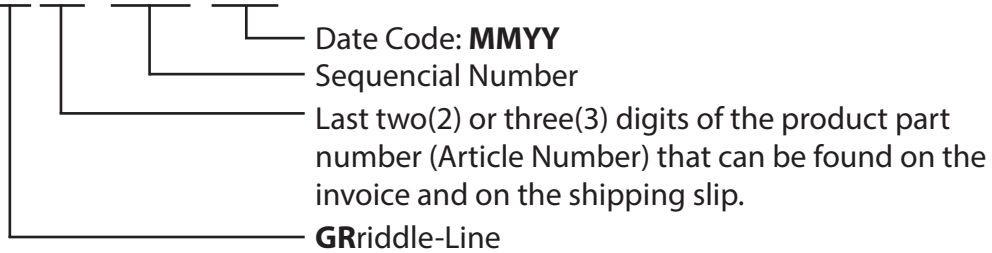
## Rating Plate Location



## Serial Number (S/N) Explained

The serial number for your unit is listed on the rating plate.

Example: GR 321 . 00014 . 1213



## Nomenclature and Models

SERIES	STYLE	FUNCTION	BUILT-IN	POWER (WATT)	MODELS
SH = Slim Hob		GR = Griddle		3500 5000	SH GR 3500 SH GR 5000
	DU = Dual			7000 10000	SH DU GR 7000 SH DU GR 10000
			IN = Built-In Line	3500 5000	SH GR IN 3500 SH GR IN 5000



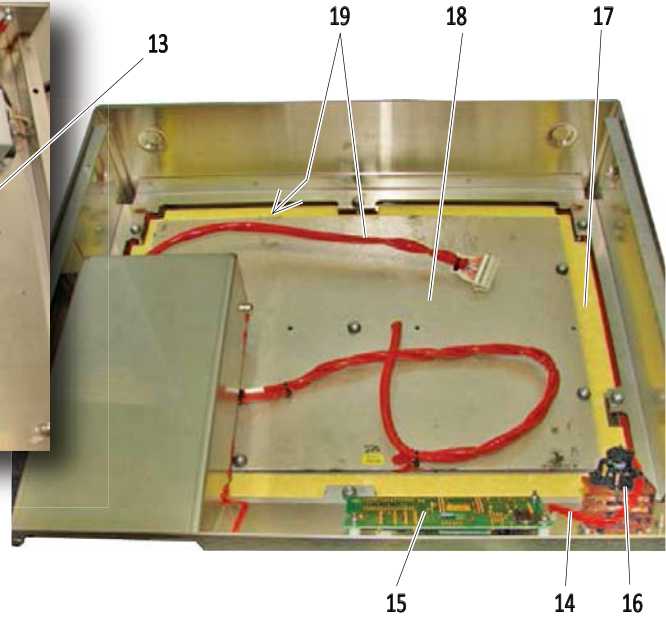
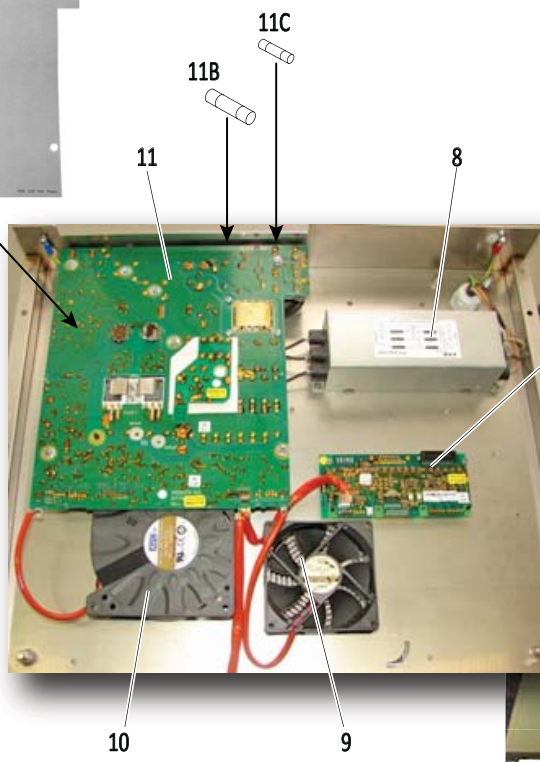
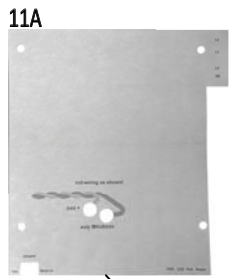
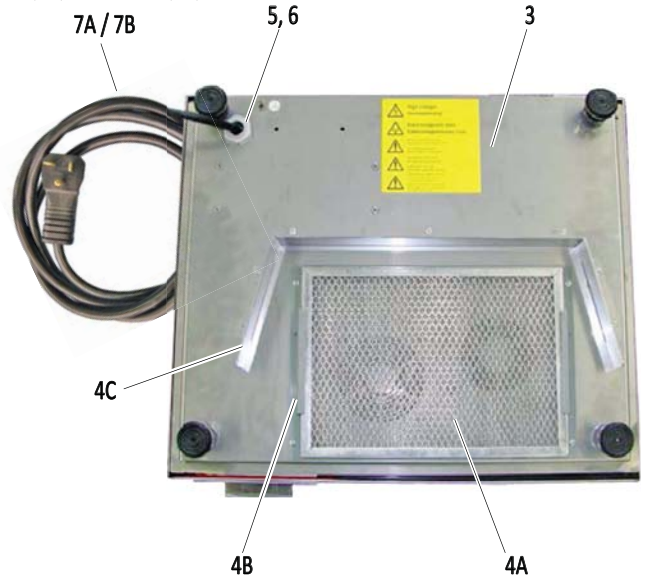
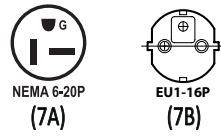
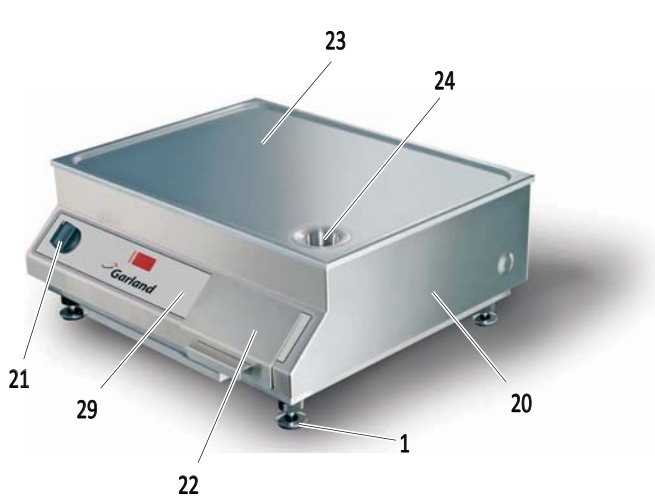
# RTCSmp Induction Griddles

## Real-time Temperature Control System multi-point sensing

### Table of Contents

<i>Rating Plate Location, Serial Number and Nomenclature Information</i> .....	<b>2</b>
<i>Counter Top Griddle, Single — 208/230/240V, SH GR 3500, 3.5kW, 50/60Hz, 1Phase</i> .....	<b>4</b>
<i>Counter Top Griddle, Single — 208/400V, SH GR 5000, 5.0kW, 50/60Hz, 3Phase</i> .....	<b>6</b>
<i>Counter Top Griddle, Dual — 208/400V, SH DU GR 7000, 7.0kW, 50/60Hz, 3Phase</i> .....	<b>8</b>
<i>Counter Top Griddle, Dual — 208/400V, SH DU GR 10000, 10.0kW, 50/60Hz, 3Phase</i> .....	<b>10</b>
<i>Counter Top Griddle, Dual — 220V, SH DU GR 10000, 10.0kW, 50/60Hz, 3Phase</i> .....	<b>12</b>
<i>Built-In Griddle, Single — 208/230V, SH GR IN 3500, 3.5kW, 50/60Hz, 1Phase</i> .....	<b>14</b>
<i>Built-In Griddle, Single — 208/400V, SH GR IN 5000, 5.0kW, 50/60Hz, 3Phase</i> .....	<b>16</b>
<i>Repair Accessories</i> .....	<b>18</b>
<i>Revision History</i> .....	<b>19</b>

This parts list is updated regularly. Please find the most current revision on our website @ [www.Garland-Group.com](http://www.Garland-Group.com)



**GARLAND PARTS IDENTIFICATION**  
**RTCSmp Induction Counter Top Griddle Line, Single, 3.5kW**

*208V / 230V / 240V models*

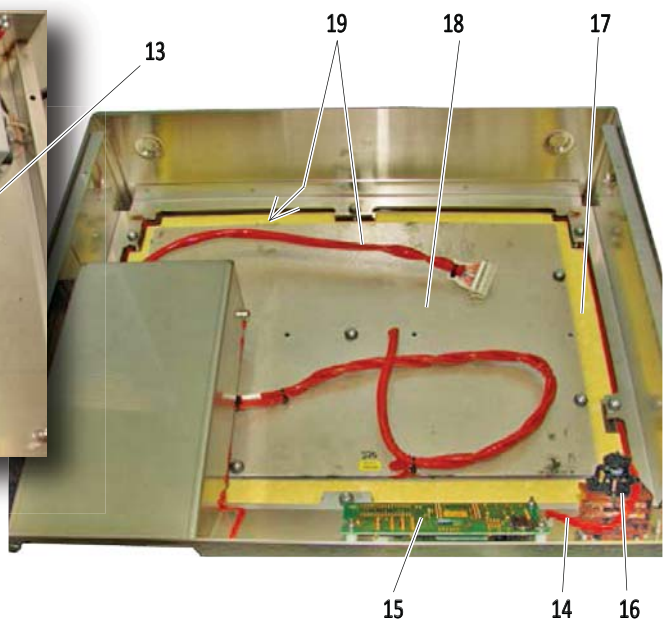
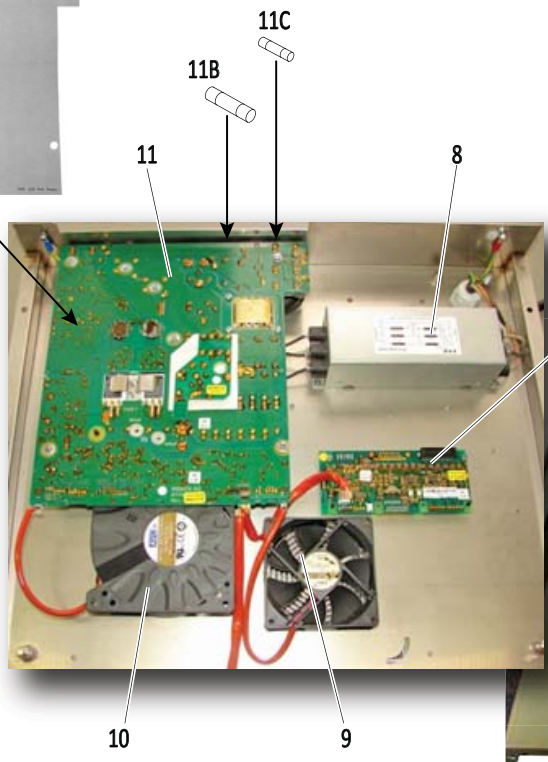
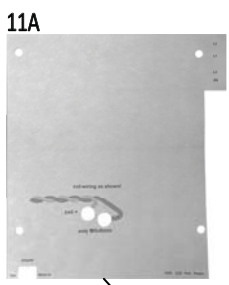
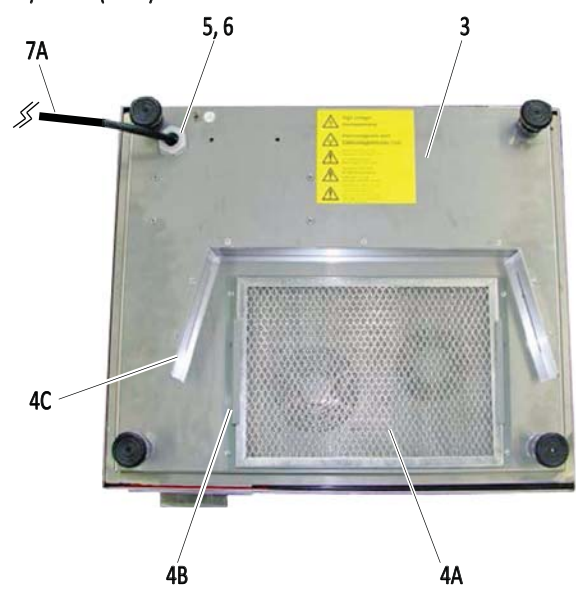
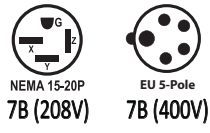
**208V: SH GR 3500/ 3.5kW 16A 60Hz 1Phase/ Article No. 99650021**

**230V: SH GR 3500/ 3.5kW 15A 50Hz 1Phase/ Article No. 99650022**

**240V: SH GR 3500/ 3.5kW 14A 60Hz 1Phase/ Article No. 99650023**

ITEM	CURRENT PART#	OLD PART#	DESCRIPTION	QUANTITY PER UNIT			CRITICAL
				208V	230V	240V	
1	<a href="#">95000120</a>		<b>Foot Complete Assembly, Adjustable</b>	4	4	4	
3	72144900		Bottom Plate Griddle 1-Zone	1	1		
	72144901		Bottom Plate Griddle 1-Zone			1	
4A	<a href="#">71000012</a>		<b>Grease Filter 280x 200x 12mm</b>	1	1	1	
4B	<a href="#">72261040</a>		Frame for Grease Filter (Plastic)	1	1	1	
4C	<a href="#">72144910</a>		Air Deflector (Plastic)	1	1		
5	39500003		Nut PG16	1	1	1	
6	39500009		Cable Gland PG16	1	1	1	
7A	<a href="#">38614035</a>		Mains Cable USA Type 6-20P	1		1	C
7B	<a href="#">38615030</a>		Mains Cable EU with Plug		1		C
8	<a href="#">39311603</a>		Mains Line Filter 18A CSA	1		1	
	<a href="#">39311602</a>		Mains Line Filter 16A		1		
9	<a href="#">94090001</a>		<b>Axial Fan 24V DC</b>	1	1	1	C
10	<a href="#">94090011</a>		<b>Radial Fan 24V DC</b>	1	1	1	C
^	<a href="#">98021746</a>	<a href="#">98021709</a>	<b>Power Board/Module (3.5kW) Assembly for Griddle</b>	1			C
^	<a href="#">98021764</a>	<a href="#">98021709</a>	<b>Power Board/Module (3.5kW) Assembly for Griddle</b>		1		C
	<a href="#">98021709</a>		<b>Power Board/Module (3.5kW) Assembly for Griddle</b>			1	C
+	11A	72291131	Protective Sheet	1	1	1	
+	11B	<a href="#">34120159</a>	<b>Fuse SUT 15Amps 250V-6.3x32</b>	2	2	2	C
+	11C	<a href="#">34110019</a>	<b>Fuse T1.0A</b>	1	1	1	C
	13	<a href="#">91133020</a>	<b>RTCSmp Single Cooker Board (Print I133)</b>	1	1	1	C
	14	94900119	Cable - CAN SH/GR, Single	1	1	1	
	15	<a href="#">91145020</a>	<b>(Print) Display Board SH/GR, degree Fahrenheit</b>	1		1	C
		<a href="#">91145011</a>	<b>(Print) Display Board SH/GR, degree Celsius</b>		1		C
	16	<a href="#">94010010</a>	<b>Main Power Switch 2 Pol with Potentiometer</b>	1	1	1	C
	17	72291092	Griddle Plate Insulation 1 Zone	1	1	1	
	18	93050030	Induction Coil, Griddle, 50.03 Single	1	1	1	
	19	<a href="#">94040074</a>	<b>Sensor Unit, Griddle, 12 Pol</b>	1	1	1	C
	20	98300043	S/S Housing SH/GR	1	1	1	
	21	<a href="#">39400005</a>	<b>Plastic Knob</b>	1	1	1	
	22	<a href="#">72144920</a>	<b>Grease Drawer, SH/GR</b>	1	1	1	
	23	95000090	Griddle Plate Assembly SH/GR	1	1	1	
	24	<a href="#">72146160</a>	Grease Chute, Single & Dual Griddle	1	1	1	
	25	<a href="#">72400040</a>	Spatter Protection SH/GR	1	1	1	
	26	<a href="#">72205012</a>	Cleaning Pad	1	1	1	
	27	<a href="#">72205013</a>	Griddle Spatula	1	1	1	
	28	<a href="#">72264020</a>	Tabletop Self Adhesive Non-slip Pads (Pack of 4)	1	1	1	
	29	<a href="#">66000007</a>	Garland Overlay/Label - SH/GR	1	1	1	

+ NEW | ^ REVISED | \* NOT ILLUSTRATED  
**RECOMMENDED STOCK PARTS**



**GARLAND PARTS IDENTIFICATION**  
**RTCSmp Induction Counter Top Griddle Line, Single, 5.0kW**

*208V / 400V models*

**208V: SH GR 5000/ 5.0kW 14A 60Hz 3Phase/ Article No. 99650024**

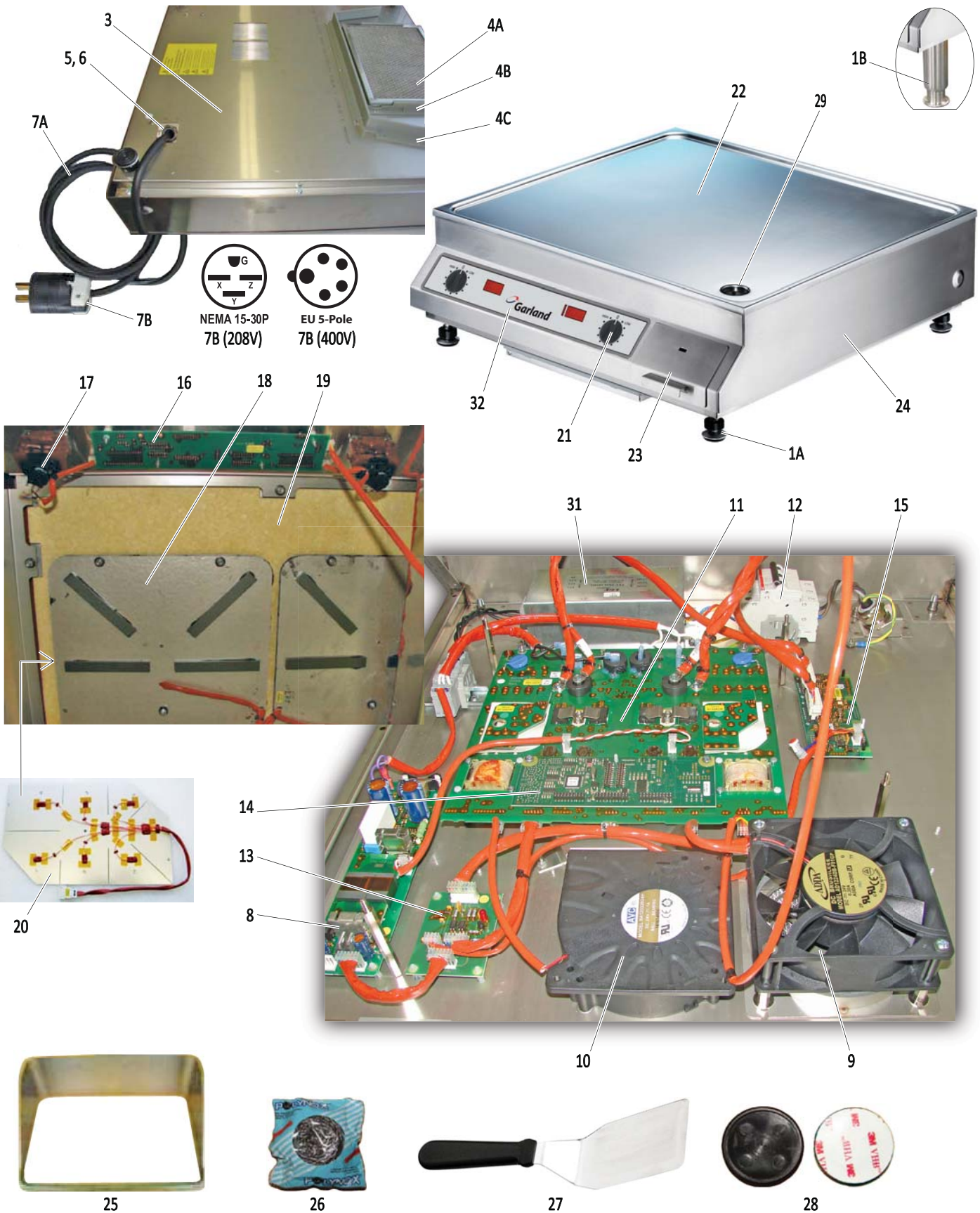
**400V: SH GR 5000/ 5.0kW 8A 50Hz 3Phase/ Article No. 99650025**

ITEM	CURRENT PART#	OLD PART#	DESCRIPTION	QTY PER UNIT		CRITICAL
				208V	400V	
1	<b>95000120</b>		<b>Foot Complete Assembly, Adjustable</b>	4	4	
3	72144900		Bottom Plate Griddle 1-Zone	1	1	
4A	<b>71000012</b>		<b>Grease Filter 280x 200x 12mm</b>	1	1	
4B	<b>72261040</b>		Frame for Grease Filter (Plastic)	1	1	
4C	<b>72144910</b>		Air Deflector (Plastic)	1	1	
5	39500003		Nut PG16	1	1	
6	39500009		Cable Connector Nut (Cable Gland PG16)	1	1	
7A	<b>38625042</b>		Mains Cable UL 4 x AWG14 (2.5)	1		C
	38615050		Mains Cable VDE 4x 1.5mm2		1	C
7B	<b>32750400</b>		Plug, Mains Cable, USA Nema 15-20P	1		
	32750503		Plug, Mains Cable, EU 5-Pole 400V/16A		1	
8	<b>39331602</b>		Mains Line Filter 3x 16A	1		
	<b>39330800</b>		Mains Line Filter 3x 8A		1	
9	<b>94090001</b>		<b>Axial Fan 24V DC</b>	1	1	C
10	<b>94090011</b>		<b>Radial Fan 24V DC</b>	1	1	C
^	<b>98021774</b>	<b>98021725</b>	<b>Power Module (5.0kW) Complete Assembly for Griddle 208V</b>	1		C
^		<b>98021782</b>	<b>Power Module (5.0kW) Complete Assembly for Griddle 400V</b>		1	C
+	11A	72291131	Protective Sheet (No Longer Required)	1	1	
+	11B	<b>34120159</b>	<b>Fuse SUT 15Amps 250V-6.3x32</b>		3	C
		<b>34120209</b>	<b>Fuse T20A 250V 6.3x32</b>	3		C
+	11C	<b>34110019</b>	<b>Fuse T1.0A</b>	1	1	C
13	<b>91133020</b>		<b>RTCSmp Single Cooker Board (Print I133)</b>	1	1	C
14	94900119		CAN Cable, SH/GR, Single	1	1	
		<b>91145020</b>	<b>(Print) Display Board SH/GR, degree Fahrenheit</b>	1		C
15	<b>91145011</b>		<b>(Print) Display Board SH/GR, degree Celsius</b>		1	C
16	<b>94010010</b>		<b>Main Power Switch 2 Pol with Potentiometer</b>	1	1	C
17	72291092		Griddle Plate Insulation 1 Zone	1	1	
18	93050030		Induction Coil, Griddle, 50.03 Single	1		
		93051030	Induction Coil, Griddle, 51.03 Single		1	
19	<b>94040074</b>		<b>Sensor Unit, Griddle, 12 Pol</b>	1	1	C
20	98300043		S/S Housing SH/GR	1	1	
21	<b>39400005</b>		<b>Plastic Knob</b>	1	1	
22	<b>72144920</b>		<b>Grease Drawer, SH/GR</b>	1	1	
23	95000090		Griddle Plate Assembly SH/GR	1	1	
24	<b>72146160</b>		Grease Chute, Single & Dual Griddle	1	1	
25	<b>72400040</b>		Spatter Protection SH/GR	1	1	
26	<b>72205012</b>		Cleaning Pad	1	1	
27	<b>72205013</b>		Griddle Spatula	1	1	
28	<b>72264020</b>		Tabletop Self Adhesive Non-slip Pads (pack of 4)	1	1	
29	<b>66000007</b>		Garland Overlay/Label - SH/GR	1	1	

+ NEW | ^ REVISED | \* NOT ILLUSTRATED

**RECOMMENDED STOCK PARTS**

RTCSmp Induction Counter Top Griddle Line, Dual  
SH DU GR 7000, 7.0kW, 208/400V, 50/60Hz, 3Phase



**GARLAND PARTS IDENTIFICATION**  
**RTCSmp Induction Counter Top Griddle Line, Dual, 7kW**

*208V / 400V models*

**208V: SH DU GR 7000/ 7.0kW 22A 60Hz 3Phase/ Article No. 99650027**

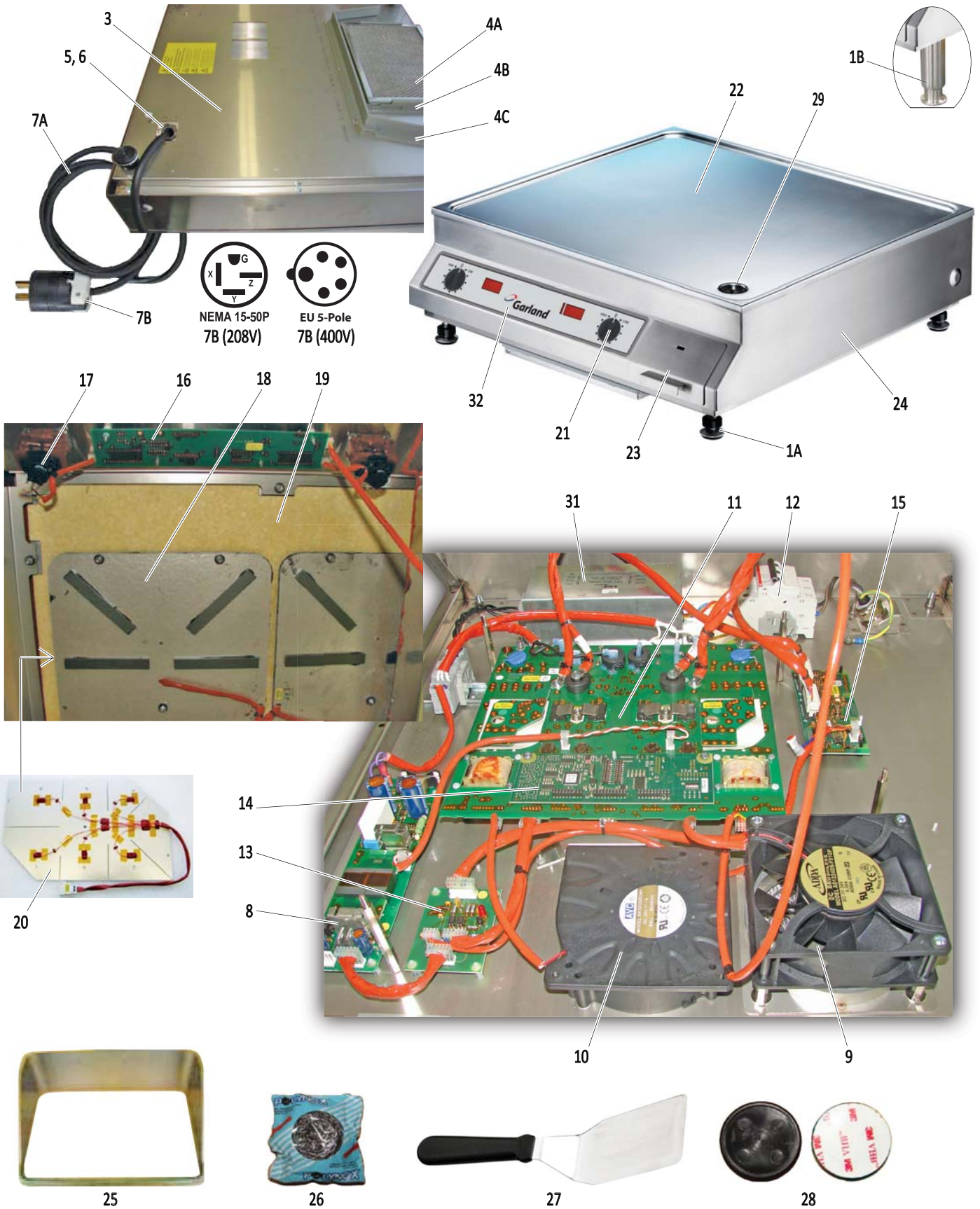
**400V: SH DU GR 7000/ 7.0kW 11A 50Hz 3Phase/ Article No. 99650028**

ITEM	PART#	DESCRIPTION	QUANTITY		CRITICAL
			208V	400V	
1A	<a href="#">95000120</a>	<b>Foot Complete Assembly, Adjustable</b>	4	4	
1B	<a href="#">71000032</a>	<b>S/S Legs, Adjustable, min 5" max 6" (208V N. American Market)</b>	4		
4A	<a href="#">71000012</a>	<b>Grease Filter 280x 200x 12mm</b>	1	1	
4B	<a href="#">72261040</a>	Frame for Grease Filter (Plastic)	1	1	
4C	<a href="#">72144910</a>	Air Deflector (Plastic)	1	1	
	<a href="#">72300830</a>	Air Deflector (Plastic) (208V N. American Market; Use with taller S/S Legs item# 1B)	1		
5	<a href="#">39500004</a>	Nut PG 21	1	1	
6	<a href="#">39500011</a>	Cable Connector Nut (Cable Gland PG21)	1	1	
7A	<a href="#">38324001</a>	Mains Cable UL-CSA TYP SJOOW 4x AWG 10, Black	1		
	<a href="#">38625050</a>	Mains Cable VDE 4 x 2.5mm <sup>2</sup>		1	
7B	<a href="#">32750401</a>	Plug, Mains Cable, USA NEMA 15-30P	1		
	<a href="#">32750503</a>	Plug, Mains Cable, EU 5-Pole 400V/16A		1	
8	<a href="#">91120032</a>	<b>AC/DC Board (Print I120b), 208-240V</b>	1		
	<a href="#">91120020</a>	<b>AC/DC Board (Print I120b)</b>		1	
9	<a href="#">94090006</a>	<b>Axial Fan 24V DC, SH/DU/GR</b>	1	1	C
10	<a href="#">94090011</a>	<b>Radial Fan 24V DC</b>	1	1	C
11	<a href="#">98012661</a>	<b>Power Module Complete Assembly, 2x 3.5kW</b>	1		C
	<a href="#">98012610</a>	<b>Power Module Complete Assembly, 2x 3.5kW</b>		1	C
12	<a href="#">34260200</a>	<b>Automatic Circuit Breaker 3 x 20A (400V Units Only)</b>		1	
13	<a href="#">91109012</a>	<b>(Print I109c) Supply &amp; CAN-BUS Interface Board</b>	1	1	C
14	<a href="#">91131220</a>	CPU Print/Board (I131b) for Dual Griddle	1		
	<a href="#">91131010</a>	CPU Print/Board (I131b) for Dual Griddle		1	
15	<a href="#">91133031</a>	<b>RTCSmp Dual Griddle Board (Print I133)</b>	1	1	
16	<a href="#">91150020</a>	<b>(Print) Display Board SH/DU/GR, degree Fahrenheit</b>	1		
	<a href="#">91150011</a>	<b>(Print) Display Board SH/DU/GR, degree Celsius</b>		1	
17	<a href="#">94010010</a>	<b>Main Power Switch 2 Pol with Potentiometer</b>	2	2	C
18	<a href="#">93058070</a>	Induction Coil, Griddle, 58.07 Dual	2		
	<a href="#">93058030</a>	Induction Coil, Griddle, 58.03 Dual		2	
19	<a href="#">72291111</a>	Griddle Plate Insulation 2 Zones	1	1	
20	<a href="#">94040074</a>	<b>Sensor Unit, Griddle, 12 Pol</b>	2	2	C
21	<a href="#">39400005</a>	<b>Plastic Knob</b>	2	2	
22	<a href="#">95000091</a>	Griddle Plate Assembly SH/DU/GR	1	1	
23	<a href="#">72145250</a>	<b>Grease Drawer SH/DU/GR</b>	1	1	
24	<a href="#">98300045</a>	S/S Housing SH/DU/GR	1	1	
25	<a href="#">72400050</a>	Spatter Protection SH/DU/GR	1	1	
26	<a href="#">72205012</a>	Cleaning Pad	1	1	
27	<a href="#">72205013</a>	Griddle Spatula	1	1	
28	<a href="#">72264020</a>	Tabletop Self Adhesive Non-slip Pads (pack of 4)	1	1	
29	<a href="#">72146160</a>	Grease Chute, Single & Dual Griddle	1	1	
31	<a href="#">91168030</a>	Mains Filter 3x 32A, 208V	1		
	<a href="#">91167010</a>	Mains Filter 3x 16A		1	
32	<a href="#">66000008</a>	Garland Overlay/Label - SH/DU/GR	1	1	

\* NOT ILLUSTRATED

**RECOMMENDED STOCK PARTS**

RTCSmp Induction Counter Top Griddle Line, Dual  
SH DU GR 10000, 10.0kW, 208/400V, 50/60Hz, 3Phase



**GARLAND PARTS IDENTIFICATION**  
**RTCSmp Induction Counter Top Griddle Line, Dual, 10kW**

*208V / 400V models*

**208V: SH DU GR 10000/ 10.0kW 30A 60Hz 3Phase/ Article No. 99650030**

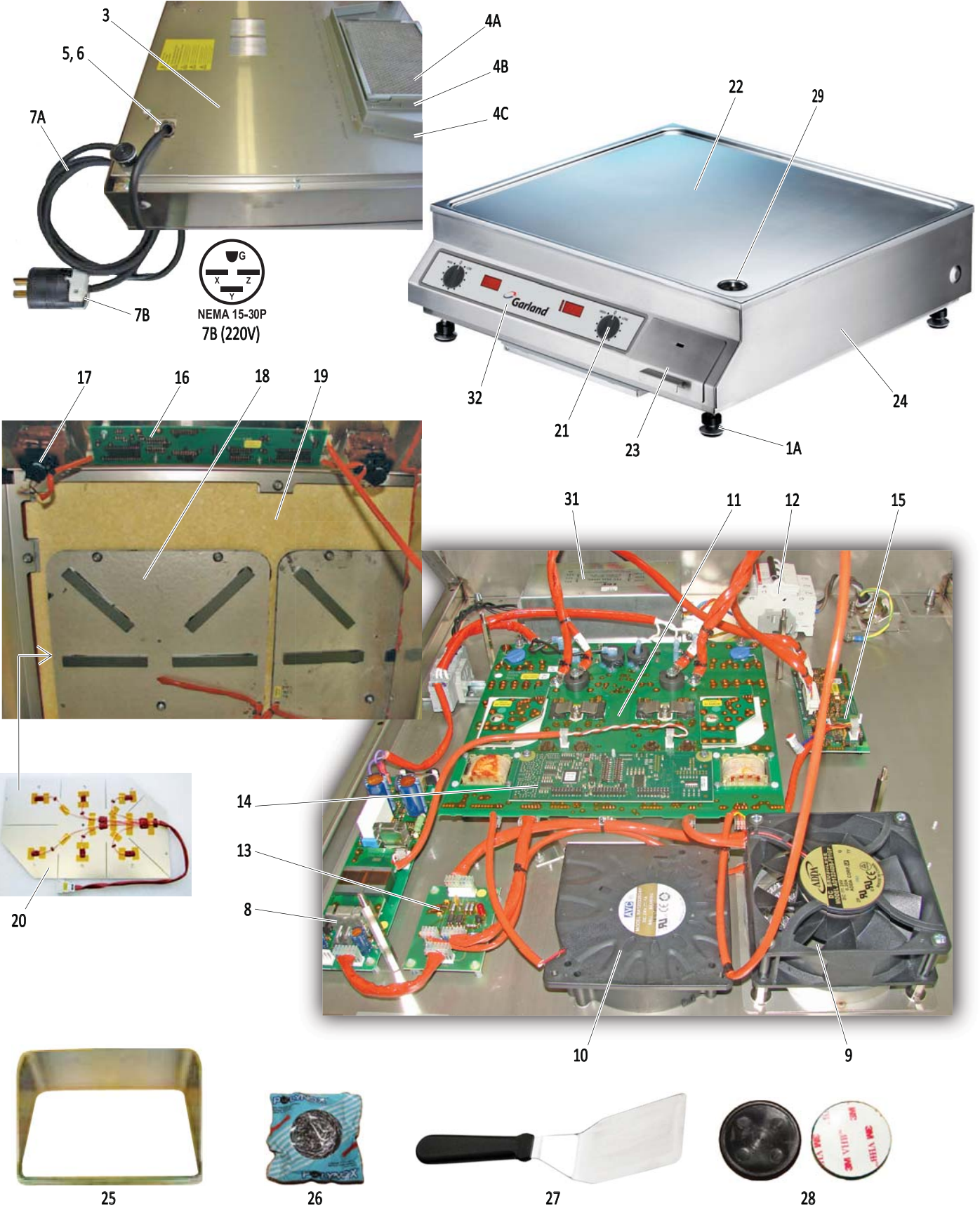
**400V: SH DU GR 10000/ 10.0kW 16A 50Hz 3Phase/ Article No. 99650031**

ITEM	PART #	DESCRIPTION	208V	400V	CRITICAL
1A	<a href="#">95000120</a>	<b>Foot Complete Assembly, Adjustable</b>	4	4	
1B	<a href="#">71000032</a>	<b>S/S Legs, Adjustable, min 5" max 6" (208V N. American Market)</b>	4		
4A	<a href="#">71000012</a>	<b>Grease Filter 280x 200x 12mm</b>	1	1	
4B	<a href="#">72261040</a>	Frame for Grease Filter (Plastic)	1	1	
4C	<a href="#">72144910</a>	Air Deflector (Plastic)	1	1	
	<a href="#">72300830</a>	Air Deflector (Plastic) (208V N. American Market; Use with taller S/S Legs item# 1B)	1		
5	<a href="#">39500004</a>	Nut PG21	1	1	
6	<a href="#">39500011</a>	Cable Connector Nut (Cable Gland PG21)	1	1	
7A	<a href="#">38324001</a>	Mains Cable UL-CSA TYP SJOOW 4x AWG 10, Black	1		
	<a href="#">38625050</a>	Mains Cable VDE 4x 2.5mm <sup>2</sup>		1	
7B	<a href="#">32750402</a>	Plug, Mains Power Cord USA NEMA 15-50P	1		
	<a href="#">32750503</a>	Plug, Mains Power Cord EU 5-Pole 400V/16A		1	
8	<a href="#">91120030</a>	<b>AC/DC Board (Print I120b)</b>	1		
	<a href="#">91120020</a>	<b>AC/DC Board (Print I120b)</b>		1	
9	<a href="#">94090006</a>	<b>Axial Fan 24VDC</b>	1	1	C
10	<a href="#">94090011</a>	<b>Radial Fan 24VDC</b>	1	1	C
11	<a href="#">98012661</a>	<b>Power Module Complete Assembly 2x5kW</b>	1		C
	<a href="#">98012610</a>	<b>Power Module Complete Assembly 2x5kW</b>		1	C
12	<a href="#">34260200</a>	<b>Automatic Circuit Breaker 3 x 20A (400V Units Only)</b>		1	
13	<a href="#">91109012</a>	<b>(Print I109c) Supply &amp; CAN-BUS Interface Board</b>	1	1	C
14	<a href="#">91131260</a>	CPU Print/Board (I131b) for Dual Griddle	1		
	<a href="#">91131010</a>	CPU Print/Board (I131b) for Dual Griddle		1	
15	<a href="#">91133031</a>	<b>RTCSmp Dual Griddle Board (Print I133)</b>	1	1	
16	<a href="#">91150020</a>	<b>(Print) Display Board SH/DU/GR, degree Fahrenheit</b>	1		
	<a href="#">91150011</a>	<b>(Print) Display Board SH/DU/GR, degree Celsius</b>		1	
17	<a href="#">94010010</a>	<b>Main Power Switch 2 Pol with Potentiometer</b>	2	2	C
18	<a href="#">93058070</a>	Induction Coil, Griddle, 58.07 Dual	2		
	<a href="#">93058030</a>	Induction Coil, Griddle, 58.03 Dual		2	
19	<a href="#">72291111</a>	Griddle Plate Insulation 2 Zones	1	1	
20	<a href="#">94040074</a>	<b>Sensor Unit, Griddle, 12 Pol</b>	2	2	C
21	<a href="#">39400005</a>	<b>Plastic Knob</b>	2	2	
22	<a href="#">95000091</a>	Griddle Plate Assembly SH/DU/GR	1	1	
23	<a href="#">72145250</a>	<b>Grease Drawer SH/DU/GR</b>	1	1	
24	<a href="#">98300045</a>	S/S Housing SH/DU/GR	1	1	
25	<a href="#">72400050</a>	Spatter Protection SH/DU/GR	1	1	
26	<a href="#">72205012</a>	Cleaning Pad	1	1	
27	<a href="#">72205013</a>	Griddle Spatula	1	1	
28	<a href="#">72264020</a>	Tabletop Self Adhesive Non-slip Pads (pack of 4)	1	1	
29	<a href="#">72146160</a>	Grease Chute, Single & Dual Griddle	1	1	
31	<a href="#">91168030</a>	Mains Filter 3 x 32A, 208V	1		
	<a href="#">91167010</a>	Mains Filter 3 x 16A		1	
32	<a href="#">66000008</a>	New Garland Overlay/Label - SH/DU/GR	1	1	

\* NOT ILLUSTRATED

**RECOMMENDED STOCK PARTS**

RTCSmp Induction Counter Top Griddle Line, Dual  
SH DU GR 10000, 10.0kW, 220V, 50/60Hz, 3Phase



Parts Breakdown - Griddle-Line Tabletop Dual SHDUGR

**GARLAND PARTS IDENTIFICATION**  
**RTCSmp Induction Counter Top Griddle Line, Dual, 10kW**

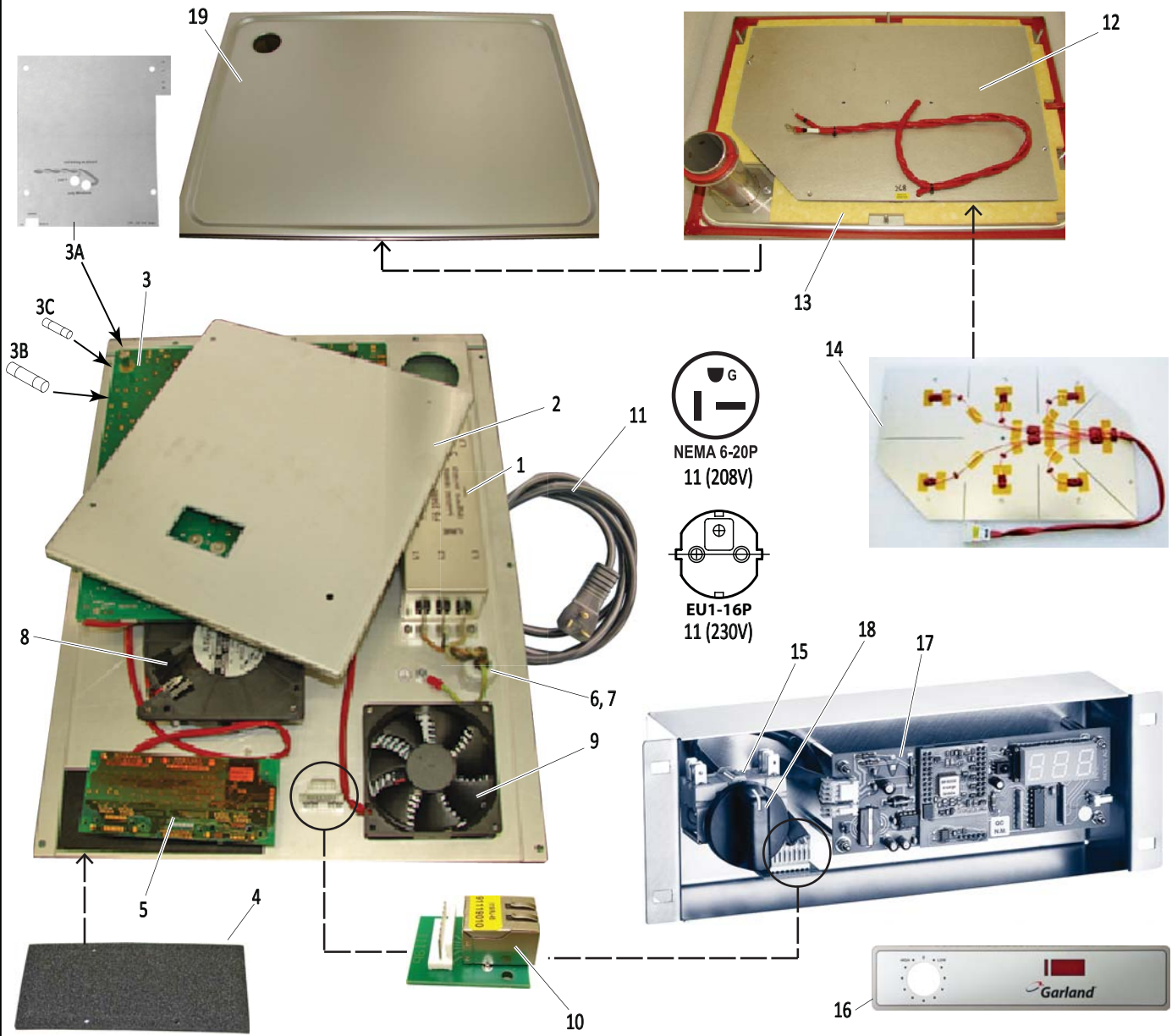
*220V model*

**220V: SH DU GR 10000/ 10.0kW 50/60Hz 3Phase 28A/ Article No. 99980075**

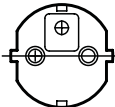
ITEM	PART #	DESCRIPTION	220V	CRITICAL
1A	<a href="#">95000120</a>	<b>Foot Complete Assembly, Adjustable</b>	4	
4A	<a href="#">71000012</a>	Grease Filter 280x200x12mm	1	
4B	<a href="#">71000012</a>	<b>Grease Filter 280x 200x 12mm</b>	1	
4C	<a href="#">72144910</a>	Air Deflector (Plastic)	1	
5	<a href="#">39500004</a>	Nut PG21	1	
6	<a href="#">39500011</a>	Cable Connector Nut (Cable Gland PG21)	1	
7A	<a href="#">38640041</a>	Power Cable UL 4 AWG 12 (4mm)	1	
7B	<a href="#">32750401</a>	Power Plug USA NEMA 15-30P	1	
8	<a href="#">91120030</a>	<b>AC/DC Board (Print I120b)</b>	1	
9	<a href="#">94090006</a>	<b>Axial Fan 24DC</b>	1	C
10	<a href="#">94090011</a>	<b>Radial Fan 24DC</b>	1	C
11	<a href="#">98012660</a>	<b>Power Board 2x5kW</b>	1	C
12	<a href="#">34260320</a>	Automatic Circuit Breaker	1	
13	<a href="#">91109010</a>	<b>(Print I109a) Supply &amp; CAN-BUS Interface Board</b>	1	C
14	<a href="#">91131270</a>	CPU Print/Board (I131) for Dual Griddle	1	
15	<a href="#">91133030</a>	<b>RTCSmp Dual Cooker Board (Print I133)</b>	1	
16	<a href="#">91150020</a>	<b>(Print) Display Board SH/DU/GR, degree Fahrenheit</b>	1	
	<a href="#">91150011</a>	<b>(Print) Display Board SH/DU/GR, degree Celsius</b>	1	
17	<a href="#">94010010</a>	<b>Main Power Switch 2 Pol with Potentiometer</b>	2	C
18	<a href="#">93055030</a>	Induction Coil, Griddle, 55.03 Dual	2	
19	<a href="#">72291111</a>	Griddle Plate Insulation 2 Zones	1	
20	<a href="#">94040074</a>	<b>Sensor Unit, Griddle, 12 Pol</b>	2	C
21	<a href="#">39400005</a>	<b>Plastic Knob</b>	2	
22	<a href="#">95000091</a>	Griddle Plate Assembly SH/DU/GR	1	
23	<a href="#">72145250</a>	<b>Grease Drawer SH/DU/GR</b>	1	
24	<a href="#">98300045</a>	S/S Housing SH/DU/GR	1	
25	<a href="#">72400050</a>	Spatter Protection SH/DU/GR	1	
26	<a href="#">72205012</a>	Cleaning Pad	1	
27	<a href="#">72205013</a>	Griddle Spatula	1	
28	<a href="#">72264020</a>	Tabletop Self Adhesive Non-slip Pads (pack of 4)	1	
29	<a href="#">72146160</a>	Grease Chute, Single & Dual Griddle	1	
31	<a href="#">39332601</a>	Mains Filter 3 x 26A	1	
32	<a href="#">66000008</a>	Garland Overlay/Label - SH/DU/GR	1	

\* NOT ILLUSTRATED

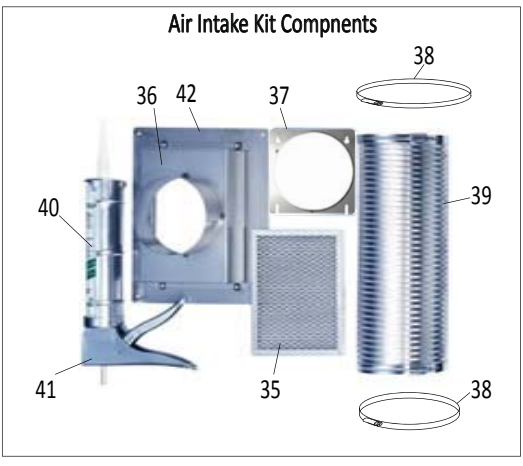
**RECOMMENDED STOCK PARTS**



NEMA 6-20P  
11 (208V)



EU1-16P  
11 (230V)



**Air Intake Kit Components**

31 (Items # 32, 33 Not Shown)

**GARLAND PARTS IDENTIFICATION**  
**RTCSmp Induction Built-In Griddle Line, Single, 3.5kW**

*208V / 230V models*

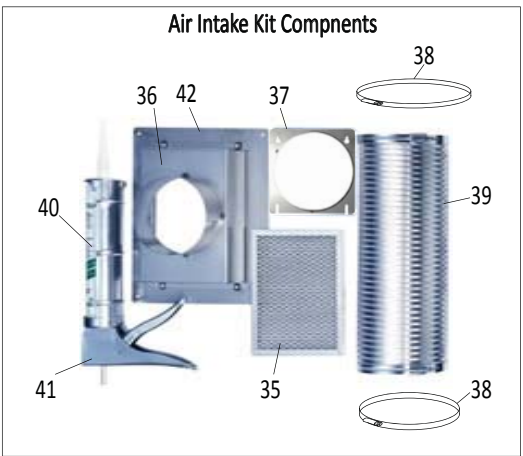
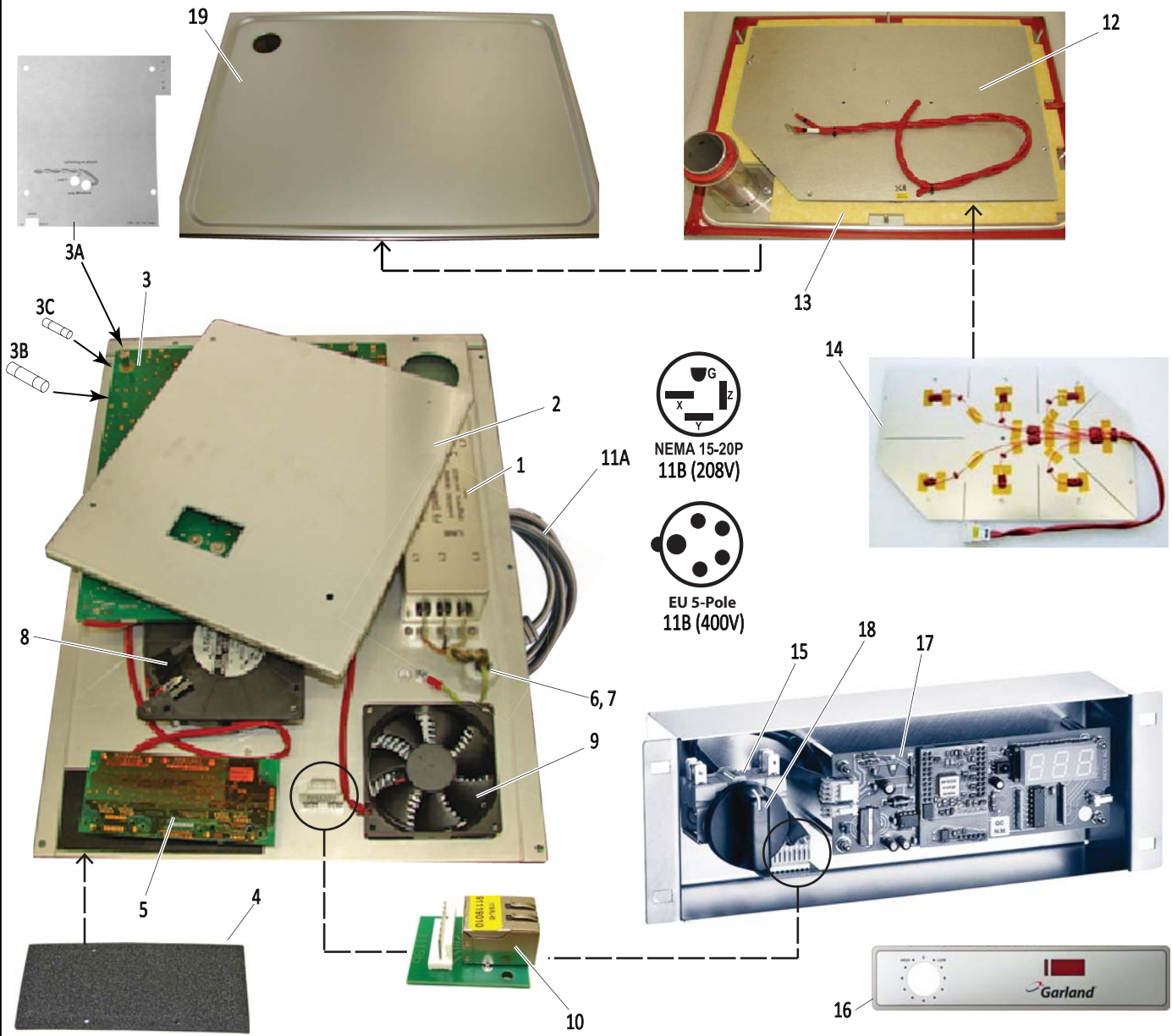
**208V: SH GR IN 3500/ 3.5kW 16A 60Hz 1Phase/ Article No. 99580050**

**230V: SH GR IN 3500/ 3.5kW 15A 50Hz 1Phase/ Article No. 99580051**

ITEM	CURRENT PART #	OLD PART #	DESCRIPTION	208V	230V	CRITICAL
1	<a href="#">39311603</a>		Mains Line Filter 18A - CSA	1		
	<a href="#">39311602</a>		Mains Line Filter 16A		1	
2	<a href="#">72142580</a>		Cover Plate	1	1	
^	3	<a href="#">98021746</a>	<b>Power Module Complete Asm (3.5kW) for Griddle, 208V</b>	1		C
^		<a href="#">98021757</a>	<b>Power Module Complete Asm (3.5kW) for Griddle, 230V</b>		1	C
+	3A	<a href="#">72291131</a>	Protective Sheet (No Longer Required)	1	1	
+	3B	<a href="#">34120159</a>	<b>Fuse SUT 15Amps 250V-6.3x32</b>	2	2	C
+	3C	<a href="#">34110019</a>	<b>Fuse T1.0A</b>	1	1	C
	4	<a href="#">72291120</a>	Heat Sink Pad, 215x 98x 5mm	1	1	
	5	<a href="#">91133020</a>	<b>RCTSmp Single Board (Print I133)</b>	1	1	
	6	<a href="#">39500003</a>	Nut PG16	1	1	
	7	<a href="#">39500009</a>	Cable Connector Nut (Cable Gland PG16)	1	1	
	8	<a href="#">94090011</a>	<b>Radial Fan 24VDC</b>	1	1	C
	9	<a href="#">94090001</a>	<b>Axial Fan 24VDC</b>	1	1	C
	10	<a href="#">91119010</a>	<b>RJ-45 Print 119</b>	2	2	C
11	<a href="#">38614035</a>		Mains Cable USA Type 6-20A	1		
	<a href="#">38615030</a>		Mains Cable EU with Plug		1	
12	<a href="#">93050030</a>		Induction Coil, Griddle, 50.03 Single	1	1	
13	<a href="#">72291092</a>		Insulation, Griddle Plate	1	1	
14	<a href="#">94040074</a>		<b>Sensor Unit, Griddle, 12 Pol, 6x PT 1k</b>	1	1	C
15	<a href="#">94010001</a>		<b>Power Switch 2 Pol with Potentiometer</b>	1	1	C
16	<a href="#">66000007</a>		Overlay, Single, Install Line, SH/GR/IN	1	1	
17	<a href="#">91145020</a>		<b>(Print) Display Board SH/GR, degree Fahrenheit</b>	1		
	<a href="#">91145011</a>		<b>(Print) Display Board SH/GR, degree Celsius</b>		1	
18	<a href="#">39400005</a>		<b>Plastic Knob</b>	1	1	
19	<a href="#">95000090</a>		Griddle Plate Assembly SH/GR	1	1	
25	<a href="#">72400040</a>		Spatter Protection SH/GR	1	1	
26	<a href="#">72205012</a>		Cleaning Pad	1	1	
27	<a href="#">72205013</a>		Griddle Spatula	1	1	
31	<a href="#">95000068</a>		Install Mounting Frame (SH/GR/IN) <b>Note:</b> Includes items 32, 33.	1	1	
32*	<a href="#">70000060</a>		Silicone Gasket (1.9-meter)	1	1	
33*	<a href="#">72300670</a>		Inner Frame/Leveling Plate	1	1	
<b>AIR INTAKE KIT FOR BUILT-IN, SINGLE MODEL, KIT NUMBER = 95000021</b>						
35	<a href="#">71000003</a>		<b>Air Intake Filter</b>	1	1	
36	<a href="#">72183091</a>		Grease Filter Holder	1	1	
37	<a href="#">72263020</a>		Air Conductor (Air Duct) Holder	1	1	
38	<a href="#">76000002</a>		Hose Clamp	2	2	
39	<a href="#">76000001</a>		Air Conductor (Air Duct), Aluminum, Flex	1	1	
40	<a href="#">70000015</a>		Silicone Adhesive PACTAN 7076 (for griddle installation)	1	1	
41	<a href="#">76000003</a>		Caulking Gun (for griddle installation)	1	1	
42	<a href="#">72204090</a>		Grease Filter Holder Front Plate	1	1	

+ NEW | ^ REVISED | \* NOT ILLUSTRATED

**RECOMMENDED STOCK PARTS**



Parts Breakdown - Griddle-Line Built-In Single SHGRIN

**GARLAND PARTS IDENTIFICATION**  
**RTCSmp Induction Built-In Griddle, Single, 5kW**

*208V / 400V models*

**208V: SH GR IN 5000/ 5.0kW 14A 60Hz 3Phase/ Article No. 99580052**




**400V: SH GR IN 5000/ 5.0kW 8A 50Hz 3Phase/ Article No. 99580053**

ITEM	CURRENT PART #	OLD PART #	DESCRIPTION	208V	400V	CRITICAL
1	<a href="#">39331602</a>		Mains Line Filter 3x 16A	1		
	<a href="#">39330800</a>		Mains Line Filter 3x 8A		1	
2	<a href="#">72142580</a>		Cover Plate	1	1	
^	<a href="#">98021774</a>	<a href="#">98021725</a>	<b>Power Module Complete Assembly (5.0kW) for Griddle</b>	1		C
^	<a href="#">98021779</a>	<a href="#">98021718</a>	<b>Power Module Complete Assembly (5.0kW) for Griddle</b>		1	C
+	3A	<a href="#">72291131</a>	Protective Sheet	1	1	
+	3B	<a href="#">34120159</a>	<b>Fuse SUT 15Amps 250V-6.3x32</b>		3	C
		<a href="#">34120209</a>	<b>Fuse T20A 250V 6.3x32</b>	3		C
+	3C	<a href="#">34110019</a>	<b>Fuse T1.0A</b>	1	1	C
4	<a href="#">72291120</a>		Heat Sink Pad, 215x 98x 5mm	1	1	
5	<a href="#">91133020</a>		<b>RCTSmp Single Board (Print I133)</b>	1	1	
6	<a href="#">39500003</a>		Nut PG16	1	1	
7	<a href="#">39500009</a>		Cable Connector Nut (Cable Gland PG16)	1	1	
8	<a href="#">94090011</a>		<b>Radial Fan 24VDC</b>	1	1	C
9	<a href="#">94090001</a>		<b>Axial Fan 24VDC</b>	1	1	C
10	<a href="#">91119010</a>		<b>RJ-45 Print 119</b>	2	2	
11A	<a href="#">38625042</a>		Mains Cable UL 4x AWG 14 (2.5)	1		
	<a href="#">38615050</a>		Mains Cable VDE 5x 1.5		1	
11B	<a href="#">32750400</a>		Plug, Mains Cable, USA NEMA 15-20P	1		
	<a href="#">32750503</a>		Plug, Mains Cable, EU 5Pol.		1	
12	<a href="#">93050030</a>		Induction Coil, Griddle, 50.03 Single	1		
	<a href="#">93051030</a>		Induction Coil, Griddle, 51.03 Single		1	
13	<a href="#">72291092</a>		Insulation, Griddle Plate	1	1	
14	<a href="#">94040074</a>		<b>Sensor Unit, Griddle, 12 Pol, 6x PT 1k</b>	1	1	C
15	<a href="#">94010001</a>		<b>Power Switch 2 Pol with Potentiometer</b>	1	1	C
16	<a href="#">66000007</a>		Overlay, Single, Install Line, SH/GR/IN	1	1	
17	<a href="#">91145020</a>		<b>(Print) Display Board SH/GR, degree Fahrenheit</b>	1		
	<a href="#">91145011</a>		<b>(Print) Display Board SH/GR, degree Celsius</b>		1	
18	<a href="#">39400005</a>		<b>Plastic Knob</b>	1	1	
19	<a href="#">95000090</a>		Griddle Plate Assembly SH/GR	1	1	
25	<a href="#">72400040</a>		Spatter Protection SH/GR	1	1	
26	<a href="#">72205012</a>		Cleaning Pad	1	1	
27	<a href="#">72205013</a>		Griddle Spatula	1	1	
31	<a href="#">95000068</a>		Install Mounting Frame (SH/GR/IN) <b>Note:</b> Includes items 32, 33.	1	1	
32*	<a href="#">70000060</a>		Silicone Gasket (1.9-meter)	1	1	
33*	<a href="#">72300670</a>		Inner Frame/Leveling Plate	1	1	
<b>AIR INTAKE KIT FOR BUILT-IN, SINGLE MODEL, KIT NUMBER = 95000021</b>						
35	<a href="#">71000003</a>		<b>Air Intake Filter</b>	1	1	
36	<a href="#">72183091</a>		Grease Filter Holder	1	1	
37	<a href="#">72263020</a>		Air Conductor (Air Duct) Holder	1	1	
38	<a href="#">76000002</a>		Hose Clamp	2	2	
39	<a href="#">76000001</a>		Air Conductor (Air Duct), Aluminum, Flex	1	1	
40	<a href="#">70000015</a>		Silicone Adhesive PACTAN 7076 (for griddle installation)	1	1	
41	<a href="#">76000003</a>		Caulking Gun (for griddle installation)	1	1	
42	<a href="#">72204090</a>		Grease Filter Holder Front Plate	1	1	

+ NEW | ^ REVISED | \* NOT ILLUSTRATED

**RECOMMENDED STOCK PARTS**

## Repair Accessories

Photo	Description	Part Number
	<p>IR Adapter Usage: To receive infrared signals from an induction cooker and communicate via a HyperTerminal, or equivalent, on a laptop or other mobile peripherals. Might require additional adapters (not provided).</p>	<a href="#">98990001</a>
	<p>USB- RS232 Adapter Usage: To connect an IR Adapter (<a href="#">98990001</a>) to a computer/device that does not have any RS232 connector.</p>	<a href="#">39800001</a>
	<p>Heat Sink Compound P12. Usage: To mount IGBT or Print/Board onto a Heatsink.</p>	<a href="#">70000020</a>
	<p>Short Circuit (Service) Plug (RTCS only, Not for RTCSmp) Usage: To initialize CU sensors.</p>	<a href="#">94900096</a>
	<p>High Temperature Tape 16mm Usage, for example: To retain PTC(RTC) sensors; to be used as a temporary adhesive; to be used as a high temperature insulator for coil repair.</p>	<a href="#">70000022</a>
	<p>Silicone Glue PACTAN 7076 (for Installation)</p>	<a href="#">70000015</a>
	<p>Wire Punch Down Tool</p>	<a href="#">79000024</a>
	<p>Calibration or Test Plates: Use these plates to calibrate and verify pan detection settings.</p>	
	<p>Calibration Plate, Ø 120mm, with Handle</p>	<a href="#">79000120</a>
	<p>Calibration Plate, Ø 100mm, with Handle</p>	<a href="#">79000100</a>
	<p>Calibration Plate, Ø 90mm, with Handle</p>	<a href="#">79000090</a>
<p>Calibration Plate, Ø 70mm, with Handle</p>	<a href="#">79000070</a>	

### REVISION HISTORY (RTCSmp GRIDDLES)

REV	MODEL	ITEM#	NOTES	DATE	BY
0	99980075		New Release	OCT 7/2011	HH
1			Added "GI" prefix to model designation.	APR 01/12	HH
	99650021		New model		
	99980075	9	Revised P/N, <a href="#">94090006</a> replaced <a href="#">94040006</a> .		
		14	Revised P/N, <a href="#">91131270</a> replaced <a href="#">91131010</a> .		
		31	Added filter P/N <a href="#">39332601</a> .		
32		New P/N for Garland Overlay/Label - <a href="#">66000008</a> .			
2	99650021 99980075	15 / 16	Added Display Boards - <a href="#">91145011</a> , 91150020	APR 19/12	HH
3			New counter top models: 99650022, 99650024, 99650025, 99650027, 99650028, 99650030, 99650031	MAY 27/14	HH
			New install line models: 99580050, 99580051, 99580052, 99580053 and mounting frame assembly <a href="#">95000021</a> .		
	99980075 99650021	1	Foot - Complete Asm <a href="#">95000120</a> replaced <a href="#">71000006</a> and <a href="#">61421201</a> (were items 1 and 2)		
	99980075 99650021	4A,4B,4C	Added grease filter frame and air deflector P/N.		
	99980075 99650021	18	Corrected description, was 55.03.		
			Added inf: rating plate location, serial#, nomenclature info, service accessories. Changed file name from G_EC_PL_INDUCSRTCSmp_SHDUGR10000		
4	99650021 99650022 99650023	8	Art. no. <a href="#">39311602</a> for 230V, not 208V.	JUN 6/14	HH
			Added model SH/GR 3500.		
			Added items to Repair Accessories Table.		
5			Updated Power Board #s for single griddles. Added Fuses P/N for single griddles	JUL 12/20	HH



1-844-724-CARE • 1-844-724-2273  
[www.mtwkitchencare.com](http://www.mtwkitchencare.com)  
[www.garland-group.com](http://www.garland-group.com)