

Induction RTCS 5.0/5.5 kW Models

Countertop/ Built-In Line/ Module-Line Single Hob & Wok

Parts List

Countertop models

SH/BA.....single cooktop

SH/WO.....wok

SH/MU.....digital control



Built-In Line models

SH/IN.....single cooktop

SH/WO/IN...wok



Module-Line standard model

MO/WO.....wok, (generator IN/MO/WO)

Module-Line custom models

MO/WO.....wok, Designer Series P.F Chang's
(generator IN/MO/WO)

MO/BA.....single cooktop, Designer Series P.F Chang's
(generator IN/MO/BA)

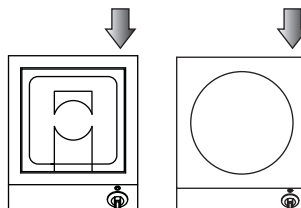


Garland Induction
Module-Line Designer Series P.F Chang's

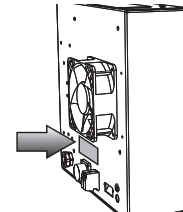
Rating Plate Location



Built-In Models



Countertop Models



Module-Line Models

Serial Number

The serial number is located on the serial plate.

READING THE SERIAL NUMBER

Example: **BA01 . 00014 . 1214**

1 2 3 4 5

1	<p>TYPE OF INDUCTION APPLIANCE:</p> <p>BA = BASE LINE SERIES (COUNTER-TOP COOK-TOP)</p> <p>IN = BUILT-IN SERIES</p> <p>WO = COUNTER WOK SERIES</p> <p>MO = MODULE LINE SERIES</p> <p>HO = HOLD LINE SERIES</p> <p>GR = GRIDDLE LINE SERIES</p>	3	<p>A SEQUENTIAL NUMBER:</p> <ul style="list-style-type: none"> A 4-DIGIT SEQUENCE NUMBER INDICATES THAT THE APPLIANCE IS NOT RTCS® NOR RTCSMP®. A 5-DIGIT SEQUENCE NUMBER INDICATES THAT THE APPLIANCE IS EITHER A RTCS® OR RTCSMP® APPLIANCE. A RTCSMP® APPLIANCE IS MARKED AS SUCH ON THE SERIAL PLATE.
2	<p>LAST TWO(2) OR THREE(3) DIGITS OF THE APPLIANCE ARTICLE NUMBER OR PART NUMBER THAT CAN BE FOUND ON THE INVOICE OR THE PACKING SLIP.</p>	4	<p>MONTH OF MANUFACTURE: 01, 02, 03, 04, ...</p>
		5	<p>YEAR OF MANUFACTURE: 2014 (14), 2015 (15), ...</p>

Nomenclature and Models

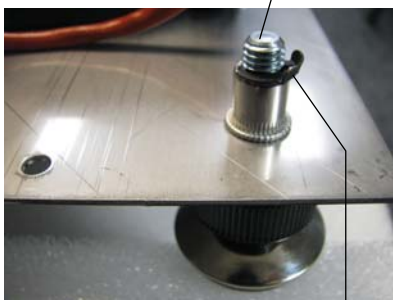
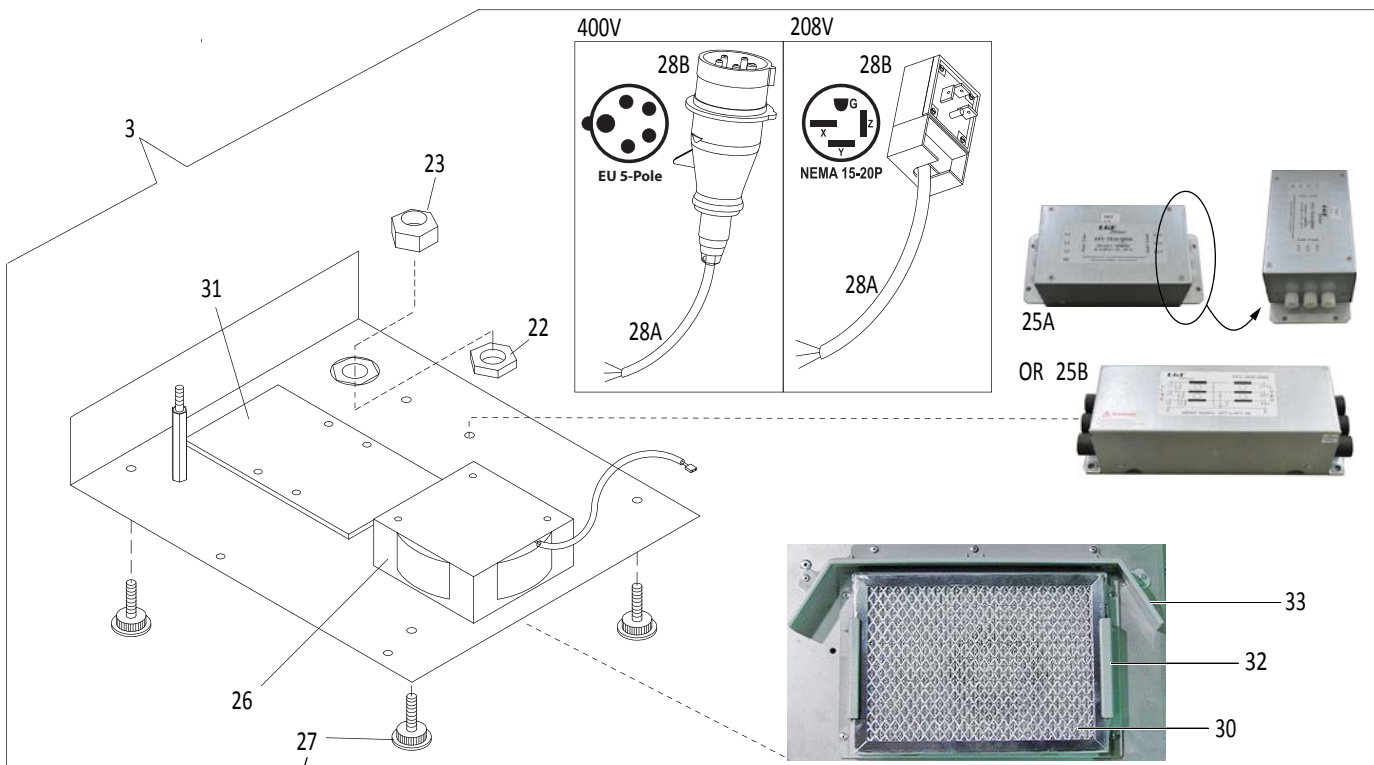
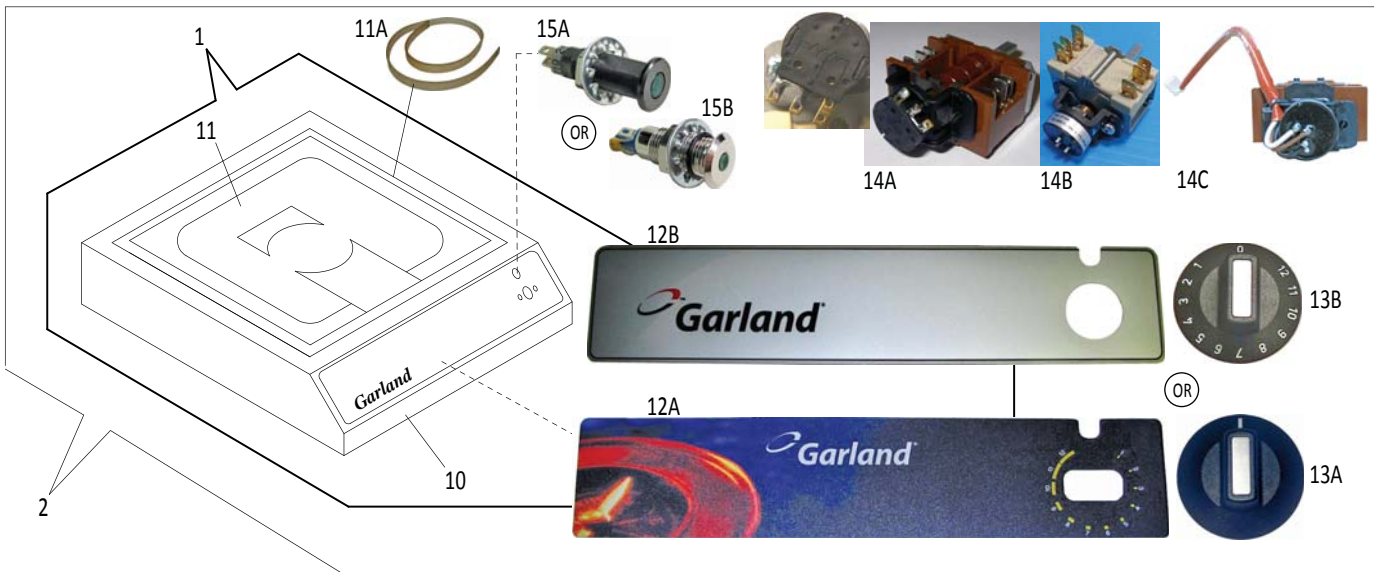
Series	Function	Built-in	Power (Watt)	Models*
SH = Slim Hob	BA = Base Line		2500 3500 5000	SH/BA 2500 SH/BA 3500 SH/BA 5000
		IN = Built-In Line	2500 3500 5000	SH/IN 2500 SH/IN 3500 SH/IN 5000
	WO = Wok Line		3500 5000 8000	SH/WO 3500 SH/WO 5000 SH/WO 8000
	WO = Wok Line	IN = Built-In Line	3500 5000 8000	SH/WO/IN 3500 SH/WO/IN 5000 SH/WO/IN 8000
	MU = Multi Line		5500	SH/MU 5500
MO = Module-Line	WO = Wok Line		3500 5000 8000	MO/WO 3500 (with Generator model IN/MO/WO 3500) MO/WO 5000 (with Generator model IN/MO/WO 5000) MO/WO 8000 (with Generator model IN/MO/WO 8000)

* Please refer to other part manuals for RTCS 2.5/3.5/8.0kW models.

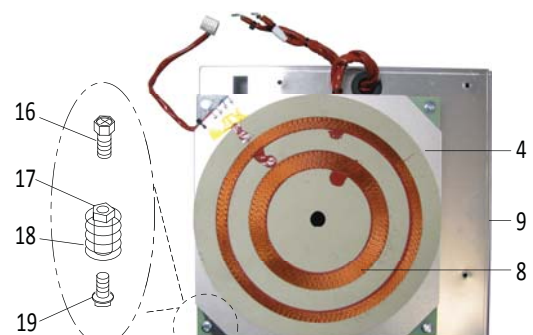
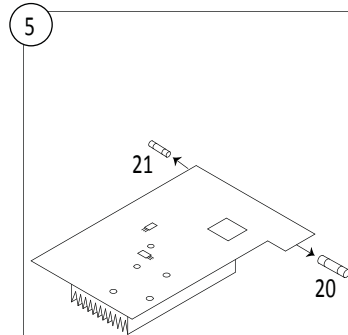
Table of Contents

Rating Plate Location	2
Serial Number (S/N) Explained	2
Nomenclature and Models	2
Counter Cook-Top Single Hob SH/BA 5000	4
Counter Wok SH/WO 5000	6
Counter Multi-Function (Digital Control) Line, SH/MU5500 or GMIU 5.5kW	8
Built-In Line Single Hob SH/IN 5000	10
Built-In Line Wok SH/WO/IN 5000	12
Module-Line Wok MO/WO 5000 (Standard Model)	14
Garland Induction Designer Series SPGCI-03101, SPGCI-03102	16
Module-Line Single Hob MO/BA 5000 (Custom Model)	18
Module-Line Wok MO/WO 5000 (Custom Model)	20
Repair Accessories	22
Cooking Accessories	23

Counter Cook-Top Single Hob SH/BA 5000



Retaining Clips for 208/ 240V North America Market.
See service tips in item 27.



99560007 99560008 99560009

Induction RTCS Counter Cook-Top Single Hob, 5.0kW

208V: SH/BA 5000, 5.0kW 14A 60Hz 3Phase, Article No. 99560007

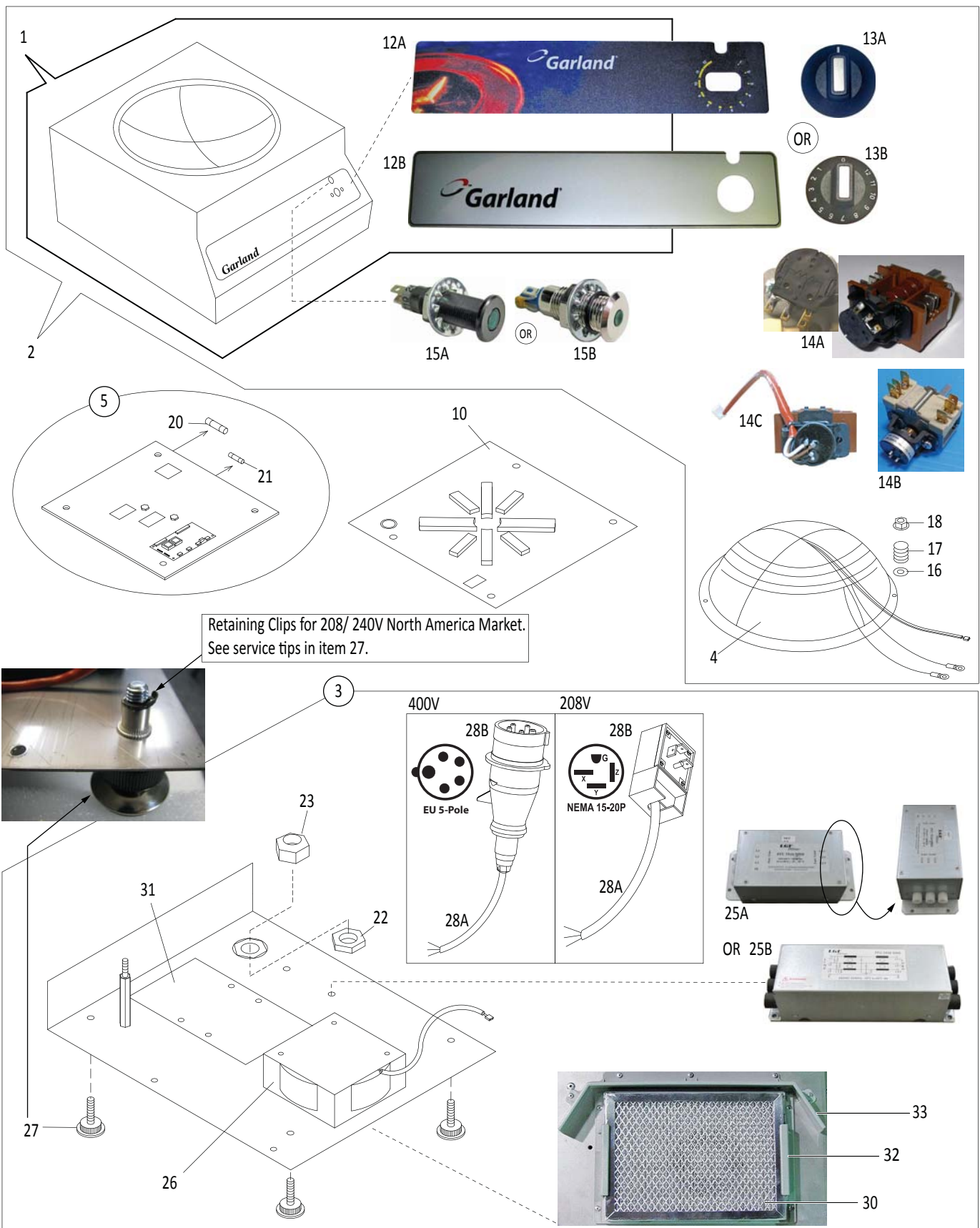
400V: SH/BA 5000, 5.0kW 8A 50Hz 3Phase, Article No. 99560008

440V: SH/BA 5000, 5.0kW 7A 50Hz 3Phase, Article No. 99560009

Item	Description	Part Number	Quantity			RC ⁽¹⁾
			208V	400V	440V	
1	Upper Case SH/BA Assembly (Includes items 10, 11, 11A & 12)	98300101	1	1	1	
2	Case Complete Top SH/BA Assembly (Includes items 1, 13, 14 & 15)	98300032	1	1	1	
3	Base Assembly (Includes items 22 - 28, 30 - 33)	98200030	1	-	-	
4	Induction Coil #3.08 with CU Sensors	93003080	1	-	-	RC
	Induction Coil #17.02 with CU Sensors	93017022	-	1	1	RC
	NOTICE: MUST RESET ALL PARAMETERS with an IR adapter tool (P/N 98990001 , see Repair Accessories). Refer to service manual for instructions.					
+	208V: Power Module Complete SH/BA 5kW 3N. Kit includes a short circuit plug and instructions to set board parameters. Was 98021710 .	98021772	1	-	-	RC
+	400V: Power Module Complete SH/BA 5kW 3N. Kit includes a short circuit plug and instructions to set board parameters. Was 98021712 .	98021776	-	1	-	RC
	Power Module Complete 5kW. Incl. NOTICE: MUST RESET ALL PARAMETERS with an IR adapter tool (P/N 98990001 , see Repair Accessories). Refer to service manual for instructions.	98021726	-	-	1	RC
^ *	6 Protective Sheet (No longer required for item 5)	72291131				
8	CU1/CU2 Sensors NOTICE: If replacing only the CU sensors, ensure to initialize with a short circuit plug (P/N 94900096 , see Repair Accessories). Refer to service manual for instructions.	94040050	1	1	1	RC
9	Coil Carrier Sheet (Aluminum Plate) – Single	72115028	1	1	1	
10	Upper Case "SH/BA"	72140130	1	1	1	
11	Ceran Glass (or use item 1)	77322001	1	1	1	RC
11A	Silicone Gasket 306 x 6 x 4 mm (for glass installation)	70000002	4	4	4	RC
12A	Overlay (0-12). Use with Knob, item 13A.	3012601	1	1	1	
12B	Overlay, Plain. Use with Knob, item 13B.	66000002	1	1	1	
13A	Plastic Knob, Plain. Use with Overlay, item 12A.	39400004	1	1	1	R
13B	Plastic Knob (0-12). Use with Overlay, item 12B.	39400001	1	1	1	R
14A	Control Switch with Potentiometer, 2-Pol, no Cable (Use item 14B)	94010000	NLA	-	-	RC
14B	Control Switch with Potentiometer, 2-Pol, no Cable	94010001	1	-	-	RC
14C	Control Switch with Potentiometer, 4-Pol, with Cable, SH	94010011	1	1	1	RC
15A	LED 24V Green - Black (NOT interchangeable with item 15B)	35624001	1	1	1	R
15B	LED 24V Green - Chrome (NOT interchangeable with item 15A)	35624009	1	1	1	R
16	Screw M5 x 10mm (was 60595004 M5 x 12mm)	60595006	4	4	4	
17	Coil Pin M5 x 23mm	65840001	4	4	4	
18	Compression Spring 1.1 x 13 x 45.7	73000002	4	4	4	
19	Screw M5 x 10mm (was 60528501 , Plastic Screw M5x8mm)	60595006	4	4	4	
20	Fuse SUT 15amp 250V 6.3x32	34120159	-	3	3	RC
	Fuse T20A 250V 6.3x32	34120209	3	-	-	RC
21	Fuse T1.0A 250V 5x20	34110019	1	1	1	RC
22	Screw Nut PG 16	39500003	1	1	1	
23	Screwed Cable Gland PG 16	39500009	1	1	1	
25A	Mains Line Filter 3 Phase 16A	39331602	1	-	-	
25B	Mains Line Filter 3 Phase 8A	39330800	-	1	1	
26	Radial Fan 24V DC	94090011	1	1	1	RC
^	27 Foot Complete Assembly, Adjustable Service Tips: 208/240V North America market only. Retaining clips are installed at factory on the feet to prevent threads from turning out too far. It is necessary to open the unit to replace the feet.	95000120	4	4	4	R
28A	Power Cable Only, No Plug, UL 4x AWG14 (2.5)	38625042	1	-	-	RC
	Power Cable Only, No Plug, VDE 4x 1.5mm ²	38615050	-	1	1	RC
28B	Mains Plug USA NEMA 15-20P	32750400	1	-	-	RC
	Mains Plug EU 5-Pole, 400V/16A	32750503		1	-	RC
30	Air Intake Filter (Grease Filter) 200x 150x 12mm	71000003	1	1	1	R
31	Heat - Sink Pad 215x 98x 5mm	72291120	1	1	1	
32	Holder for Air Intake Filter	72261030	1	1	1	R
33	Air Deflector	72142470	1	1	1	R

^ Revised | + New | * Not shown in illustration. | ⁽¹⁾ R=Recommended Stock Part / C=Critical Part

Counter Wok SH/WO 5000



99570004 99570005 99570006

Induction RTCS Counter Wok, 5.0kW

models

208V: SH/WO 5000, 5.0kW 14A 60Hz 3Phase, Article No. 99570004

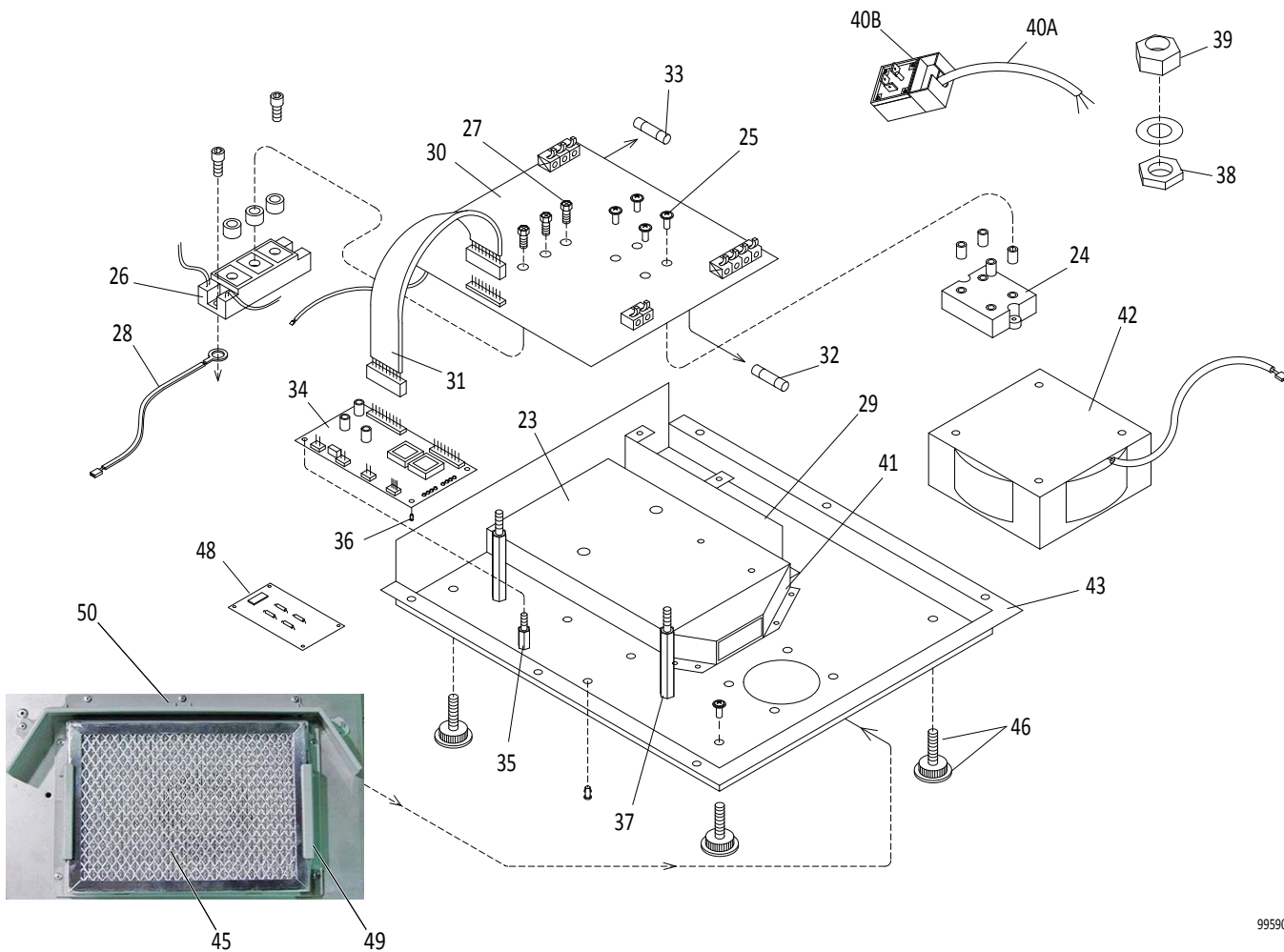
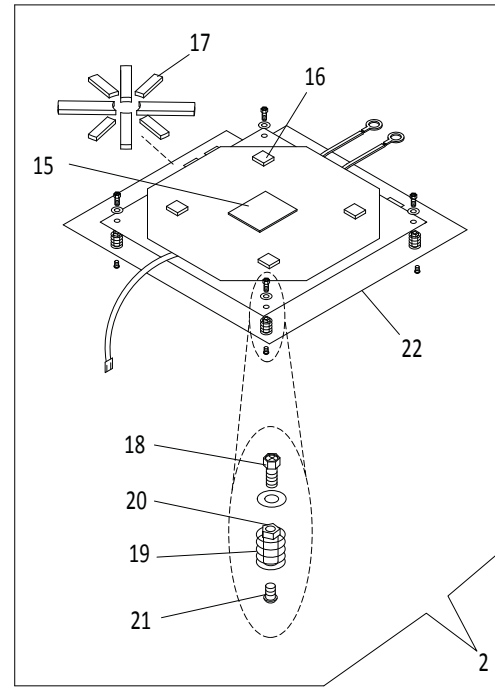
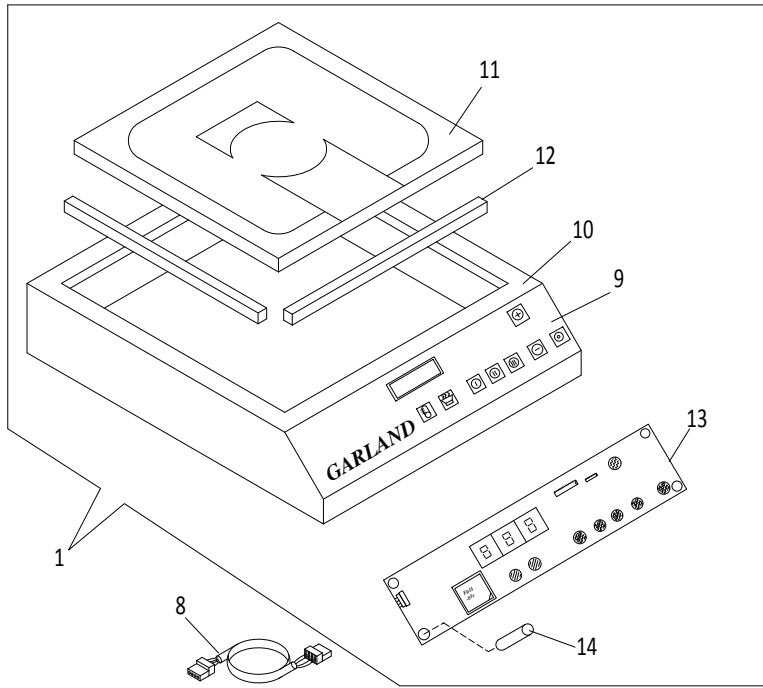
400V: SH/WO 5000, 5.0kW 8A 50Hz 3Phase, Article No. 99570005

440V: SH/WO 5000, 5.0kW 7A 50Hz 3Phase, Article No. 99570006

Item	Description	Part Number	Quantity			RC ⁽¹⁾
			208V	400V	440V	
1	Upper Case SH/WO Assembly. Includes overlay and Ceran wok bowl (77302001, not sold separately).	98300108	1	1	1	
2	Top Case Complete Assembly (Includes items 1, 4, 13 - 18)	98300079	1			
	Top Case Complete Assembly (Includes items 1, 4, 13 - 18)	98300037		1	1	
3	Base Assembly (Includes items 22 - 28, 30 - 33)	98200030	1	-	-	
4	Induction Wok Coil #203.07 With Sensor, Coil Carrier	93203070	1			RC
	Induction Wok Coil #204.02 With Sensor, Coil Carrier	93204021		1	1	RC
+	208V: Power Module Complete, WOK 5kW. Pre-programmed with voltage specific parameters. (Was 98021711 w/ no parameters)	98021773	1			RC
+	400V: Power Module Complete, WOK 5kW. Pre-programmed with voltage specific parameters. (Was 98021713 w/ no parameters)	98021713		1		RC
+	440V: Power Module Complete, WOK 5kW. Pre-programmed with voltage specific parameters. (Was 98021727 w/ no parameters)	98021727			1	RC
^ *	6 Protective Sheet (No longer required for item 5)	72291131				
10	Sheet Metal with Ferrite	98100101				
12A	Overlay (0-12). Use with Knob (13A) part# 39400004 .	3012601	1	1	1	
12B	Overlay, Plain. Use with Knob (13B) part# 39400001 .	66000002	1	1	1	
13A	Plastic Knob, Plain. Use with Overlay (12A) P/N 3012601 .	39400004	1	1	1	R
13B	Plastic Knob (0-12). Use with Overlay (12B) P/N 660000021.	39400001	1	1	1	R
14A	Control Switch with Potentiometer, 2-Pol, no Cable (Use item 14B)	94010000	NLA			
14B	Control Switch with Potentiometer, 2-Pol, no Cable	94010001	1			RC
14C	Control Switch with Potentiometer, 4-Pol, with Cable, SH	94010011	1	1	1	RC
15A	LED 24V Green - Black (NOT interchangeable with item 15B)	35624001	1	1	1	R
15B	LED 24V Green - Chrome (NOT interchangeable with item 15A)	35624009	1	1	1	R
16	Washer (No longer required; used in units built before May, 2006 / serial# INXX.XXXXX.0506)	60056702	4	4	4	
17	Compression Spring	73000004	4	4	4	
18	Nut	60678301	4	4	4	
20	Fuse SUT 15amp 250v 6.3x32	34120159		3	3	RC
	Fuse T20A	34120209	3			RC
21	Fuse T1.0A	34110019	1	1	1	RC
22	Screw Nut PG 16	39500003	1	1	1	
23	Screwed Cable Gland PG 16	39500009	1	1	1	
25A	Mains Line Filter 3 Phase 16A	39331602	1			
25B	Mains Line Filter 3 Phase 8A (not shown)	39330800		1	1	
26	Radial Fan 24V DC	94090011	1	1	1	RC
^	27 Foot Complete Assembly, Adjustable Service Tips: 208/240V North America market only. Retaining clips are installed at factory on the feet to prevent threads from turning out too far. It is necessary to open the unit to replace the feet.	95000120	4	4	4	R
28A	Power Cable Only, No Plug, UL 4x AWG14 (2.5)	38625042	1			RC
	Power Cable Only, No Plug, VDE 4x 1.5mm ²	38615050		1	1	RC
28B	Mains Plug USA NEMA 15-20P	32750400	1		-	RC
	Mains Plug EU 5-Pole, 400V/16A	32750503		1	-	RC
30	Air Intake Filter (Grease Filter) 200x 150x 12mm	71000003	1	1	1	R
31	Heatsink Pad 215x 98x 5mm	72291120	1	1	1	
32	Holder for Air Intake Filter	72261030	1	1	1	R
33	Air Deflector	72142470	1	1	1	R

^ Revised | + New | * Not shown in illustration. | ⁽¹⁾ R=Recommended Stock Part / C=Critical Part

Counter Multi-Function Line (Digital Control), SH/MU5500 or GMIU 5.5kW



99590004

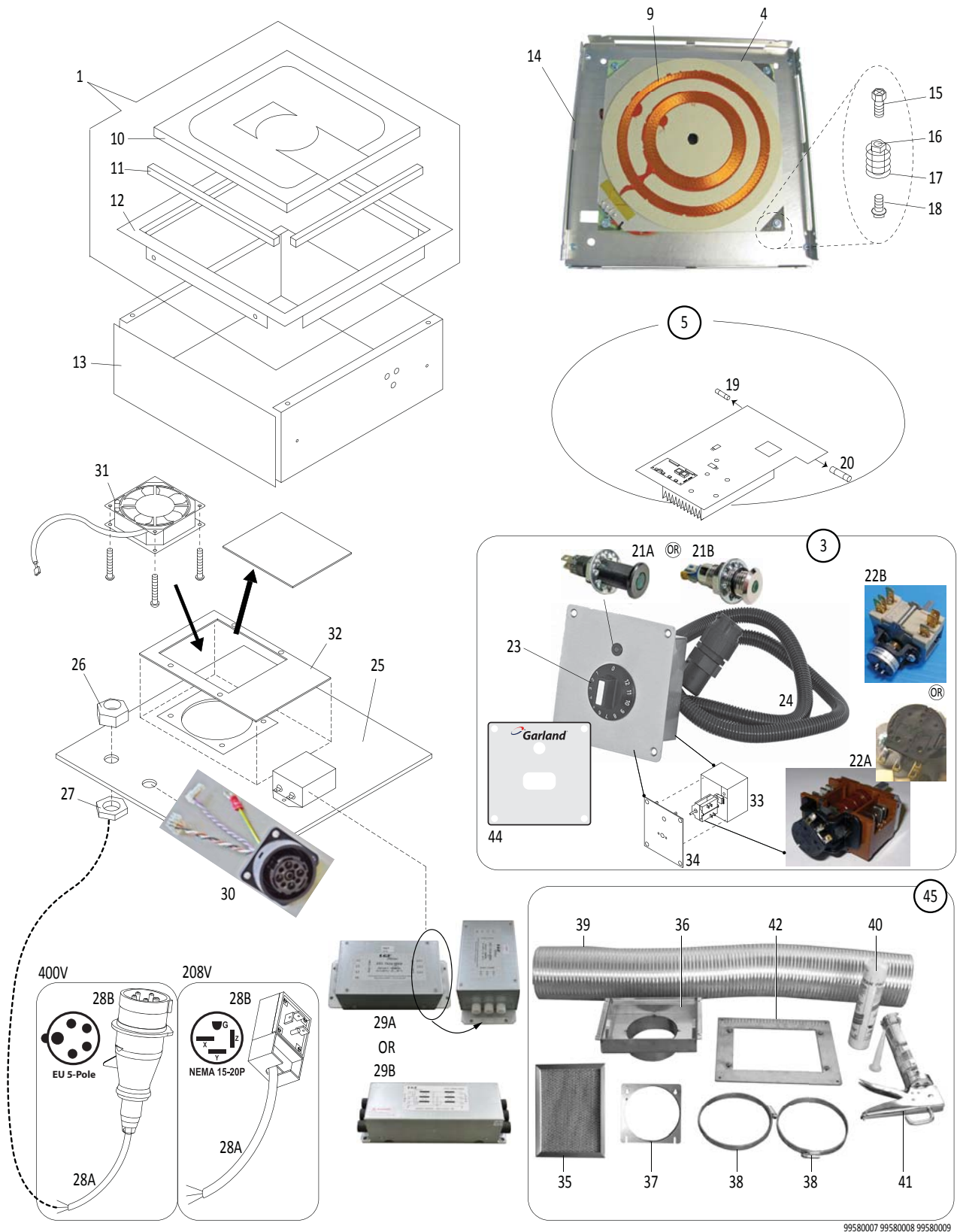
Induction RTCS Counter Multi-Function Line (Digital Control) Single Hob, 5.5kW

model 208V: SH/MU 5500, 5.5kW 60Hz, Article No. 99590004

Item	Description	Part #	Qty, 208V	R C ⁽¹⁾
1	Case Upper Part Complete - Item included 9,10,11,12,13 & 14	98300008	1	
2	Coil # 3.04 With PTC-sensing Element And Sensor Coil	93003031	1	
8	4-Pin Cable for Multi-Line Keyboard	94900005	1	
9	Garland Overlay	3012603	1	
10	Case Upper Part	72185081	1	
11	Ceran Glass 322 x 322mm	77322001	1	R C
12	Silicone Stripes 306 x 6 x 4mm	70000002	4	R C
13	Keyboard	98403301	1	
14	Spacer	61404901	4	
15	PTC-Sensor with Insulation and Plug 1-k Ohms	94040010	1	R
16	Spacer 4mm	69000011	4	
17	Ferrite 110mm	30000110	1	
18	Hexagon Screw M5 x12	60595004	4	
19	Compression Spring 1.1 x 13.6 x 45.7	73000002	4	
20	Distance Bolt M5 x 23	65840001	4	
21	Cup Bolt M5x8	60528501	4	
22	Coil Carrier Sheet Single	72115028	1	
23	Heat Sink SH Single	33143021	1	
24	Rectifier 3Ph	42403030	1	
25	Screws For Rectifier	95000005	4	
26	IGBT C5 - Transistor Module	47301000	1	
27	Screws for IGBT - Transistor Module	95000007	3	
28	NTC 20KOhm Heat Sink Sensor - 160mm	94040001	1	
29	Side Sheet	72116012	1	
30	Power Print 3N208/3.5 SH/W ([Power Board)	91016180	1	
31	Cable Single CPU (Logic Board - Power PCB Cable) 10Pin	94900001	1	
32	Fuse T1A 250V 5x20	34110019	1	R C
33	Fuse T10A 250V 6.3x32	34120109	1	R C
34	CPU-Print Multi-Line (Logic Board)	98401808	1	
35	Spacer M4x8	64070001		
36	Spacer Double Locking	64070007		
37	Spacer M4x70	64070005	2	
38	Screw Nut PG 16	39500003	1	
39	Screwed Cable Gland PG 16	39500009	1	
40A	Power Cable Only, No Plug, UL 4x AWG14 (2.5)	38625042	1	R C
40B	Power Cord Plug USA NEMA 15-20P	32750400	1	R C
41	Air Duct Single	72142011	1	
42	Radial Fan 230V	39223001	1	R C
43	Bottom Sheet	72185039	1	
45	Grease filter	71000003	1	R
46	Foot Complete Assembly, Adjustable	95000120	4	R
48	Measuring Amplifier	90101000	1	
49	Holder for Air Intake Filter	72261030	1	R
50	Air Deflector	72142470	1	R

⁽¹⁾ R=Recommended Stock Part / C=Critical Part

Built-In Line Single Hob SH/IN 5000



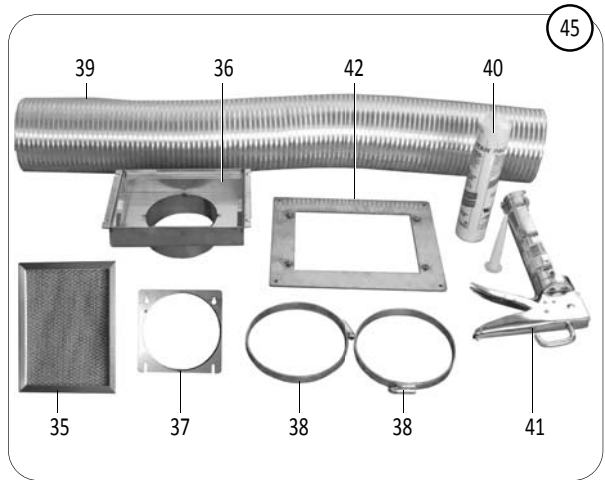
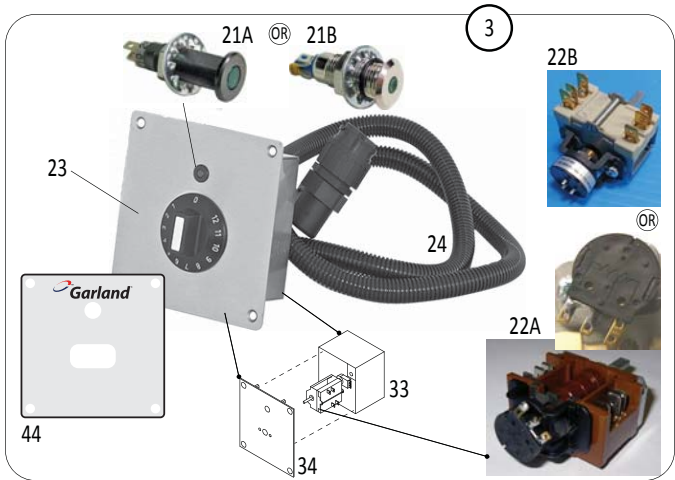
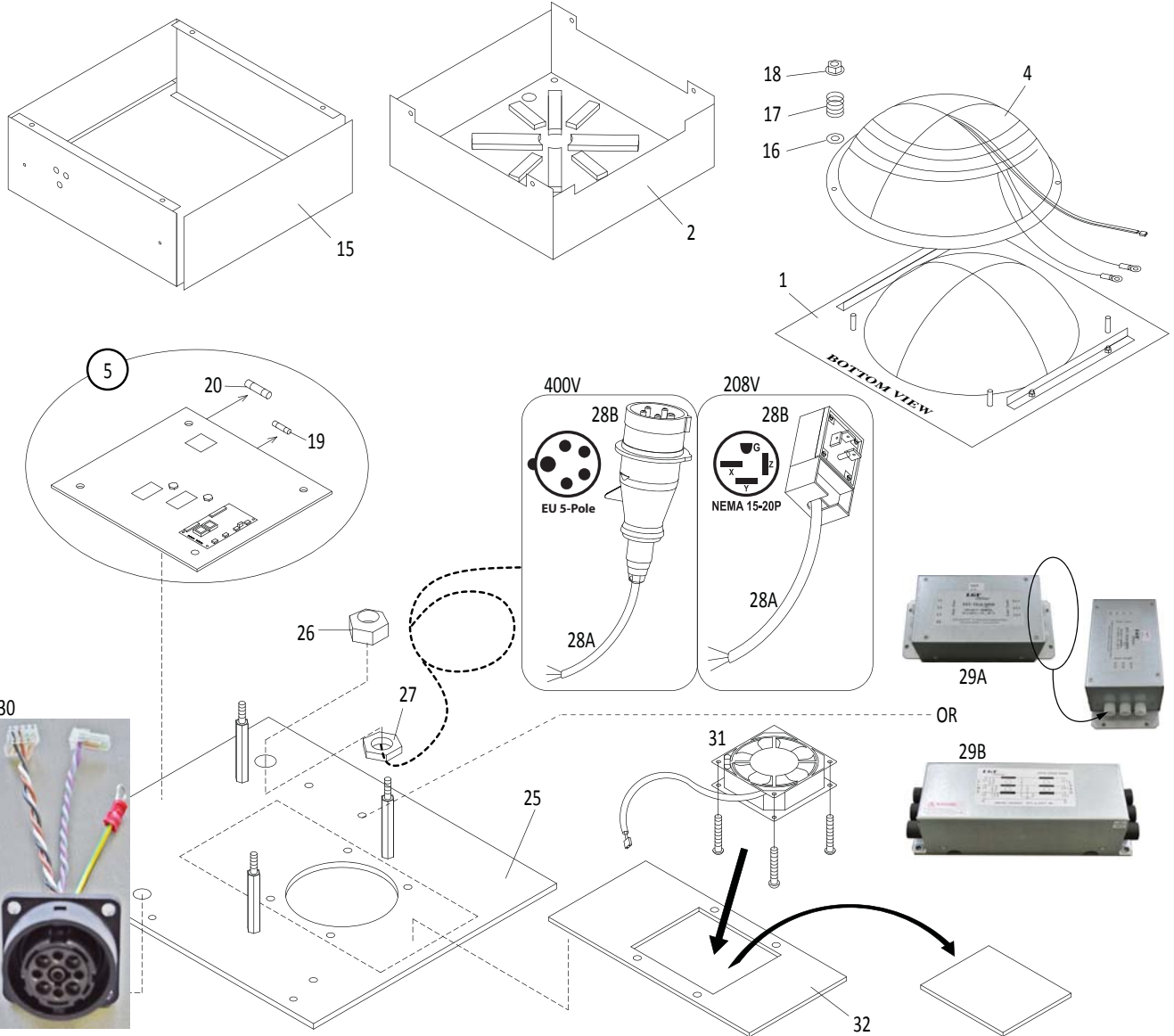
Induction RTCS Built-In Line Single Hob, 5.0kW

MODELS 208V: SH/IN 5000, 5.0kW 14A 60Hz 3Phase, Article No. 99580007
 400V: SH/IN 5000, 5.0kW 8A 50Hz 3Phase, Article No. 99580008
 440V: SH/IN 5000, 5.0kW 7A 50Hz 3Phase, Article No. 99580009

Item	Description	Part Number	208V	400V	440V	RC ⁽¹⁾
1	Ceran Glass Top SH/IN Assembly (Includes items 10, 11 & 12)	98300021	1	1	1	
2	Control Assembly (NO Knob Gards), 1-meter Cable	94030004	1	1	1	
4	Induction Coil #3.08 includes CU Sensors	93003080	1			RC
	Induction Coil #17.02 includes CU Sensors	93017022		1	1	RC
+ + +	208V Power Module Complete 5kW 3N. Kit includes a short circuit plug and instructions to set board parameters. Was 98021710.	98021772	1			RC
	400V Power Module Complete 5kW 3N. Kit includes a short circuit plug and instructions to set board parameters. Was 98021712.	98021776		1		RC
	440V Power Module Complete 5kW 3N. Was 98021726.	98021786			1	RC
^ *	6 Protective Sheet (No longer required for item 5)	72291131				
9	CU1/CU2 Sensors NOTICE When replacing only the CU sensor, ensure to initialize with a short circuit plug (P/N 94900096, see Repair Accessories"). Refer to Service Manual for instructions.	94040050	1	1	1	RC
10	Ceran Glass 320 x 320 x 4 mm (or use item 1)	77322001	1	1	1	RC
11	Silicone Gasket 306 x 6 x 4 mm (for glass installation)	70000002	4	4	4	RC
12	Mounting Frame (Ceran Glass not included)	72211032	1	1	1	
13	Front Sheet SH/IN	72146350				
14	Coil Carrier SH/IN	72144570	1	1	1	
15	Screw M5 x 10mm (was 60595004 M5 x 12mm)	60595006	4	4	4	
16	Coil Pin M5 x 23mm	65840001	4	4	4	
17	Compression Spring 1.1 x 13 x 45.7	73000002	4	4	4	
18	Screw M5 x 10mm (was 60528501, Plastic Screw M5x8mm)	60595006	4	4	4	
19	Fuse T1.0A	34110019	1	1	1	RC
20	Fuse SUT 15amp 250V 6.3x32	34120159		3	3	RC
	Fuse T20A 250V 6.3x32	34120209	3			RC
21A	LED 24V Green - Black (NOT interchangeable with item 21B)	35624001	1	1	1	R
21B	LED 24V Green - Chrome (NOT interchangeable with item 21A)	35624009	1	1	1	R
22A	Control Switch with Potentiometer, 2-Pol, no Cable (use item 22B)	94010000	NLA			RC
22B	Control Switch with Potentiometer, 2-Pol, no Cable	94010001	1	1	1	RC
23	Knob 0-12	39400001	1	1	1	R
24	Harness Main Control, 1-meter	94030014	1	1	1	
25	Bottom Sheet SH/IN	72144510	1	1	1	
26	Screwed Cable Gland PG 16	39500009	1	1	1	
27	Screw Nut PG 16	39500003	1	1	1	
28A	Power Cable Only, No Plug, UL 4x AWG14 (2.5)	38625042	1			RC
	Power Cable Only, No Plug, VDE 4x 1.5mm ²	38615050		1	1	RC
28B	Mains Plug USA NEMA 15-20P	32750400	1		-	RC
	Mains Plug EU 5-Pole, 400V/16A	32750503		1	-	RC
29A	Mains Line Filter 3 Phase 16A	39331602	1			
29B	Mains Line Filter 3 Phase 8A	39330800		1	1	
30	Female Plug with Cable	94900077	1	1	1	
31	Axial Fan	94090002	1	1	1	RC
32	Heat Sink Pad 215x 98x 5mm NOTICE Remove and discard the center piece of the Heat Sink Pad for fan ventilation.	72291120	1	1	1	
33	Connector Box Switch - S/S	72282180	1	1	1	
	Connector Box Switch - Plastic	72261070	1	1	1	
34	Front Panel (Without Guard)	72244100	1	1	1	
35	Air Intake Filter (Grease Filter) 200x 150x 12mm	71000003	1	1	1	R
36	Grease Filter Holder	72183091	1	1	1	
37	Air Duct Flange	72263020	1	1	1	
38	Duct Clamp	76000002	2	2	2	
39	Air Duct Aluminum	76000001	1	1	1	
40	Silicone Glue PACTAN 7076 (for glass installation)	70000015	1	1	1	
41	Caulking Gun - Silicone Glue (for glass installation)	76000003	1	1	1	
42	Front plate for Grease Filter	72204090	1	1	1	
44	Overlay - Install-Line (NO Protective Guards)	66000067	1	1	1	
45	Air Intake Kit, single hob/wok (compulsory for built-in line unit)	95000021	1	1	1	

^ Revised | + New | * Not shown in illustration. | ⁽¹⁾ R=Recommended Stock Part / C=Critical Part

Built-In Line Wok SH/WO/IN 5000



99580019 99580020 99580021

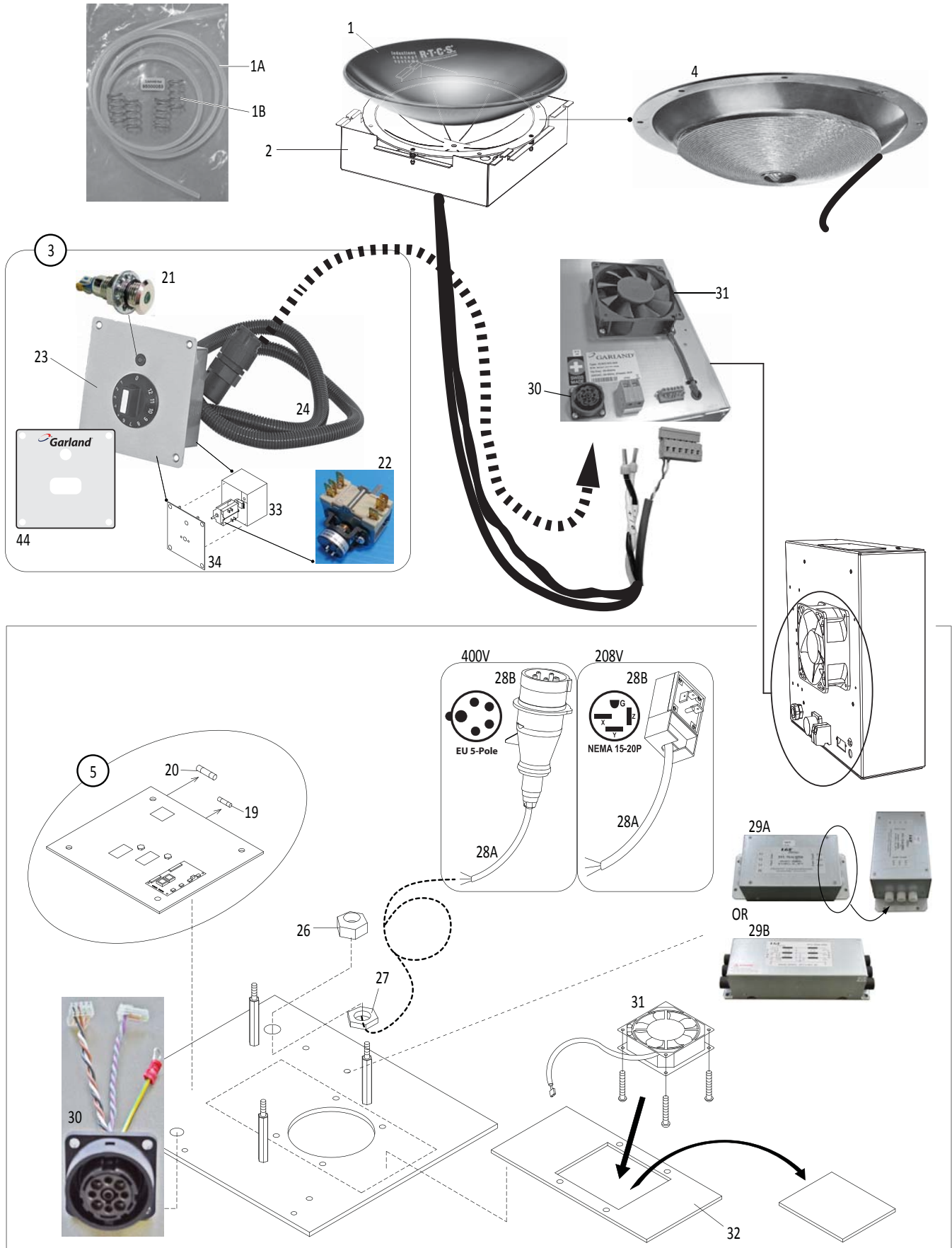
Induction RTCS Built-In Line Wok, 5.0kW

models 208V: SH/WO/IN 5000, 5.0kW 15A 60Hz 3Phase, Article No. 99580019
 400V: SH/WO/IN 5000, 5.0kW 8A 50Hz 3Phase, Article No. 99580020
 440V: SH/WO/IN 5000, 5.0kW 7A 50Hz 3Phase, Article No. 99580021

Item	Description	Part Number	208V	400V	440V	RC ⁽¹⁾
1	Ceran Wok Top Assembly (Ceran Wok Bowl included)	98300112	1	1	1	
2	Trough with Ferrite for Install Wok Line	95141221	1	1	1	
3	Control Assembly (NO Knob Gards), 1-meter Cable	94030004	1	1	1	
4	Induction Wok Coil #203.07 With Sensor and Carrier	93203070	1			RC
	Induction Wok Coil #204.02 With Sensor and Carrier	93204021		1	1	RC
+	208V: Power Module Complete, WOK 5kW. Pre-programmed with voltage specific parameters. (Was 98021711 w/ no parameters) 400V: Power Module Complete, WOK 5kW. Pre-programmed with voltage specific parameters. (Was 98021713 w/ no parameters) 440V: Power Module Complete, WOK 5kW. Pre-programmed with voltage specific parameters. (Was 98021727 w/ no parameters)	98021711	1			RC
+		98021713		1		RC
+		98021727			1	RC
^ *	6	Protective Sheet (No longer required for item 5)	72291131			
	15	Front Sheet SH/IN	72146350	1	1	1
	16	Washer (No longer required; used in units built before May, 2006 / serial# INXX.XXXXX.0506)	60056702	4	4	4
	17	Compression Spring	73000004	4	4	4
	18	Nut	60678301	4	4	4
	19	Fuse T1.0A	34110019	1	1	1
20	Fuse SUT 15amp 250V 6.3x32	34120159		3	3	RC
	Fuse T20A	34120209	3			RC
21A	Indicator Lamp 24V LED Green - Black Note: NOT interchangeable with item 21B.	35624001	1	1	1	R
21B	Indicator Lamp 24V LED Green - Chrome Note: NOT interchangeable with item 21A.	35624009	1	1	1	R
22A	Control Switch with Potentiometer, 2-Pol, no Cable (Use item 22B)	94010000	NLA			
22B	Control Switch with Potentiometer, 2-Pol, no Cable	94010001	1	1	1	RC
23	Plastic Knob (0-12)	39400001	1	1	1	R
24	Harness Main Control, 1-meter	94030014	1	1	1	
25	Bottom Sheet SH/IN	72144510	1	1	1	
26	Screwed Cable Gland PG 16	39500009	1	1	1	
27	Screw Nut PG 16	39500003	1	1	1	
28A	Power Cable Only, No Plug, UL 4x AWG14 (2.5)	38625042	1			RC
	Power Cable Only, No Plug, VDE 4x 1.5mm2	38615050		1	1	RC
28B	Mains Plug USA NEMA 15-20P	32750400	1		-	RC
	Mains Plug EU 5-Pole, 400V/16A	32750503		1	-	RC
29A	Mains Line Filter 3 Phase 16A	39331602	1			
29B	Mains Line Filter 3 Phase 8A	39330800		1	1	
30	Female Plug with Cable	94900077	1	1	1	
31	Axial Fan (SH/IN Models)	94090002	1	1	1	RC
32	Heat Sink Pad 215x 98x 5mm NOTICE: Remove and discard the center piece of the Heat Sink Pad for fan ventilation.	72291120	1	1	1	
33	Connector Box Switch - S/S	72282180	1	1	1	
	Connector Box Switch - Plastic	72261070	1	1	1	
34	Front Panel (without Protective Guards)	72244100	1	1	1	
35	Air Intake Filter (Grease Filter) 200x 150x 12mm	71000003	1	1	1	R
36	Grease Filter Holder	72183091	1	1	1	
37	Air Duct Flange	72263020	1	1	1	
38	Duct Clamp	76000002	2	2	2	
39	Air Duct Aluminum	76000001	1	1	1	
40	Silicone Glue PACTAN 7076 (for glass installation)	70000015	1	1	1	
41	Caulking Gun - Silicone Glue (for glass installation)	76000003	1	1	1	
42	Front plate for Grease Filter	72204090	1	1	1	
44	Overlay - Install-Line (NO Protective Guards)	66000067	1	1	1	
45	Air Intake Kit, single hob/wok (compulsory for built-in line unit)	95000021	1	1	1	

^ Revised | + New | * Not shown in illustration. | ⁽¹⁾ R=Recommended Stock Part / C=Critical Part

Module-Line Wok MO/WO 5000 (Standard Model)



Induction RTCS Module-Line Wok, 5.0kW (Standard Model)

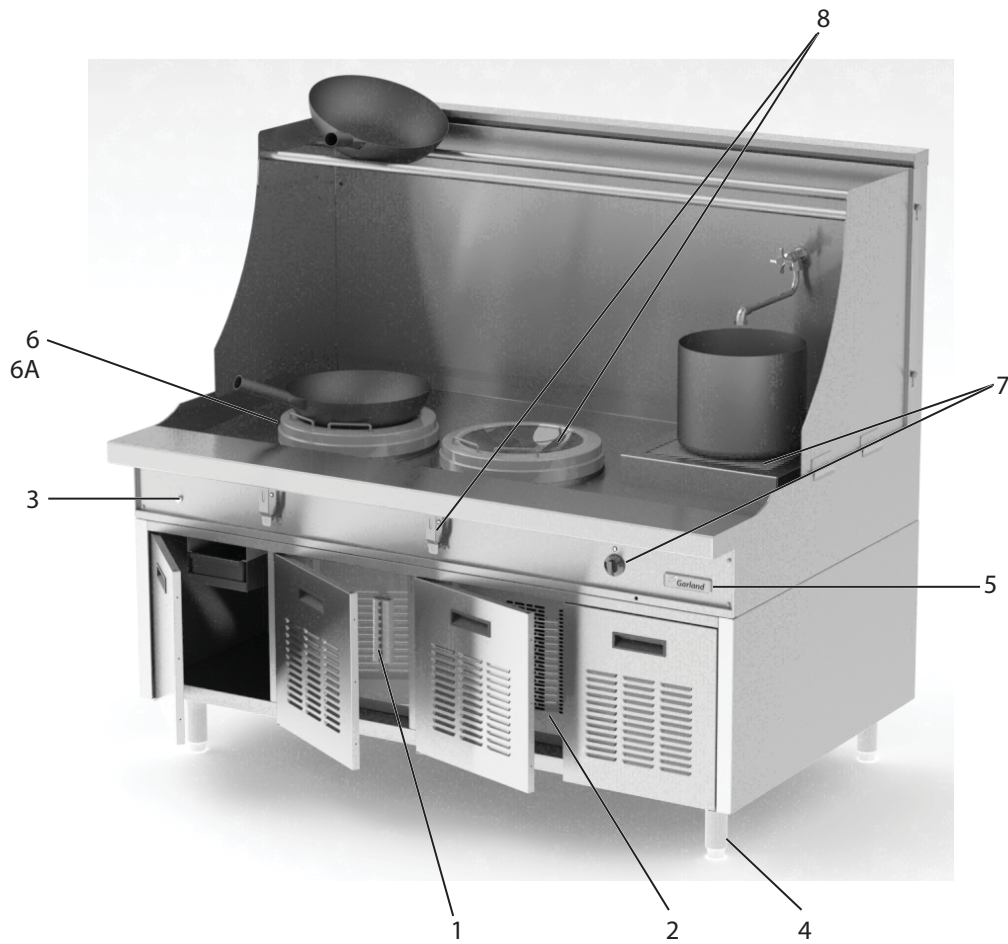
models 208V: MO/WO 5000, 5.0kW 50/60Hz 3Phase (Generator IN/MO/WO5000, Article No. 99610026)
 400V: MO/WO 5000, 5.0kW 50/60Hz 3Phase (Generator IN/MO/WO5000, Article No. 99610027)

Note: 440V, MO/WO 5000 (IN/MO/WO 5000, for power module (item #5), use part 98021785.

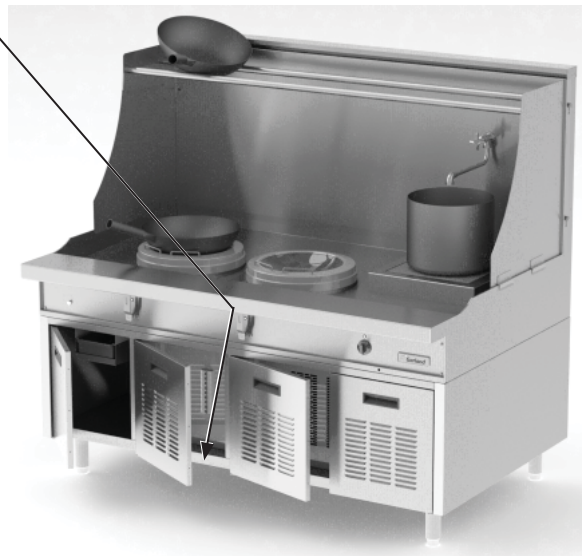
Item	Description	Part Number	208V	400V	RC ⁽¹⁾
1	Ceran Wok Bowl 306mm/12" diameter, 6mm thick	77302001	1	1	R C
1A	Silicone gasket 960x 5x 2 mm, for wok bowl installation	70000004	1	1	R C
1B	Pressure Springs, 1x 10x 17.5mm, for installing wok bowl (item 1) and coil carrier (item 4)	73000004	4	4	
2	Shield Plate/Box with Ferrite	95000050	1	1	
3	Control Assembly (NO Knob Gards), Cable Length 2.5-meter/98.43-inch	94030005	1	1	
4	Induction Wok Coil #204.05 With Sensor and Carrier Coil and sensor cable length, 250cm/98.4"	93204071	1		R C
	Induction Wok Coil #204.02 With Sensor and Carrier Coil and sensor cable length, 250cm/98.4"	93204050		1	R C
+	208V Power Module WOK 5kW. Pre-programmed with voltage specific parameters. Was 98021711 .	98021773	1		R C
+	400V Power Module WOK 5kW. Pre-programmed with voltage specific parameters. Was 98021713 .	98021777		1	R C
^ *	6 Protective Sheet (No longer required for item 5)	72291131			
19	Fuse T1.0A	34110019	1	1	R C
20	Fuse 15amp 250V 6.3x32	34120159		3	R C
	Fuse T20A	34120209	3		R C
21	Indicator Lamp 24V LED Green - Chrome	35624009	1	1	R
22	Control Switch with Potentiometer, 2-Pol, no Cable	94010001	1	1	R C
23	Plastic Knob (0-12)	39400001	1	1	R
24	Harness Main Control 2.5-meter/98.43-inch	94030015	1	1	
26	Screwed Cable Gland PG 16	39500009	1	1	
27	Screw Nut PG 16	39500003	1	1	
28A	Power Cable Only, No Plug, UL 4x AWG 14 (2.5)	38625042	1		R C
	Power Cable Only, No Plug, VDE 4x 1.5mm ²	38615050		1	R C
28B	Mains Plug USA NEMA 15-20P	32750400	1		R C
	Mains Plug EU 5-Pole, 400V/16A	32750503		1	R C
29A	Mains Line Filter 3Phase 16A	39331602	1		
29B	Mains Line Filter 3Phase 8A	39330800		1	
30	Female Plug with Cable	94900077	1	1	
31	Axial Fan (SH/IN Models)	94090002	1	1	R C
32	Heat Sink Pad 215x 98x 5mm NOTICE: Discard the center piece of the Heat Sink Pad for fan ventilation.	72291120	1	1	
33	Connector Box Switch - Plastic	72261070	1	1	
34	Front Panel (NO Protective Guards)	72244100	1	1	
44	Garland Overlay - Install-Line (NO Protective Guards)	66000067	1	1	

^ Revised | + New | * Not shown in illustration. | ⁽¹⁾ R=Recommended Stock Part / C=Critical Part

Garland Induction Designer Series SPGCI-03101, SPGCI-03102




Rating Plate Location (SPGCI-03101, SPGCI-03102)



Garland Induction Designer Series

MODELS 400V: SPGCI-03101/SPGCI-03102

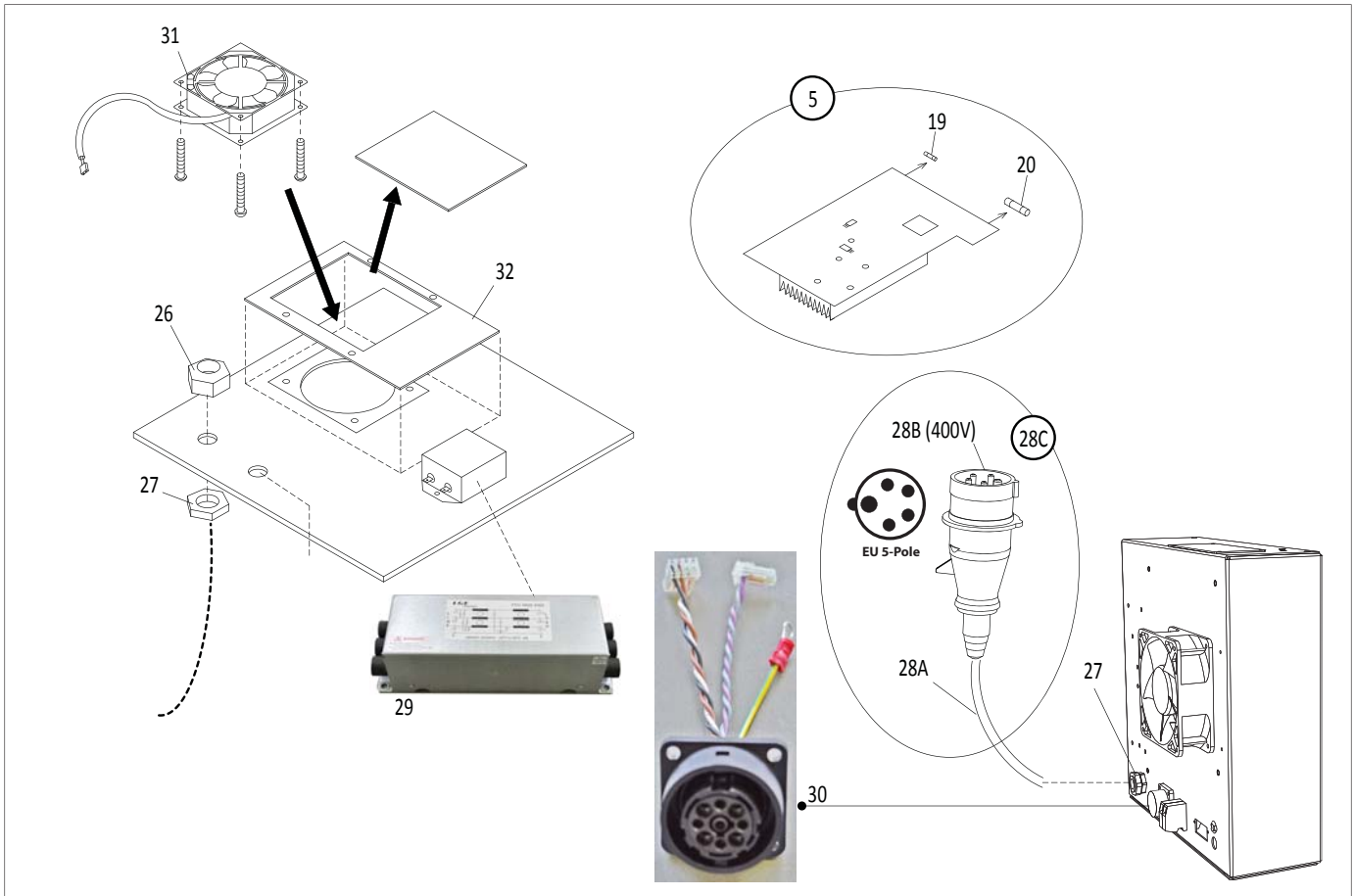
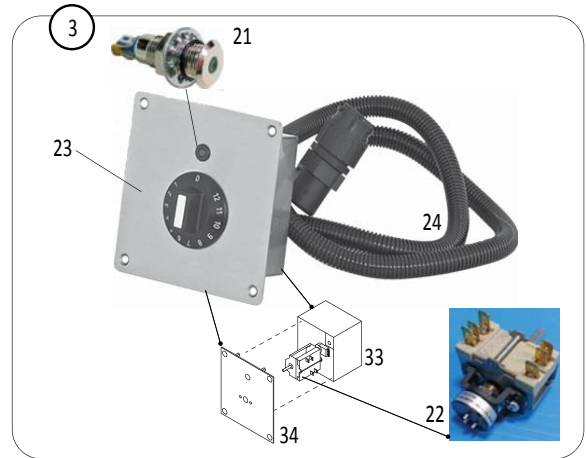
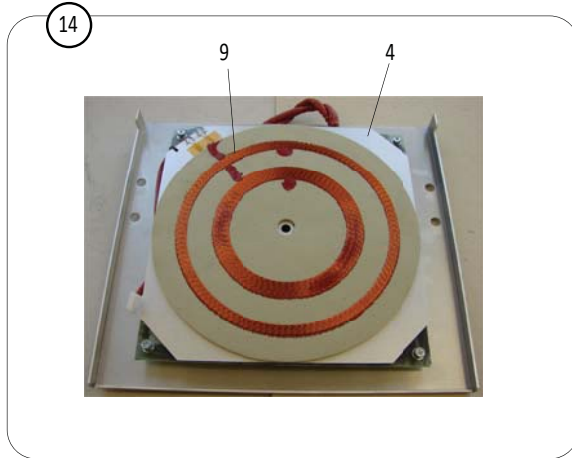
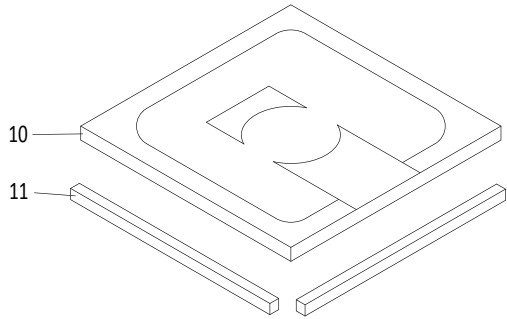
Item	Description	Part Number	400V	RC ⁽¹⁾
1**	Circuit Breaker, 16A, 3 Pole, Siemens FSY4316-7			R C
2	Air Filter, 5-inch x 11-inch x 3/8, Dishwasher-safe	4526166	4	R C
3	Pilot Indicator	2667200	1	R C
4	Legs, 6-inch, Stainless Steel	4502511	4	
5	Logo, Garland Standard, Small Size	4529725	1	
6**	Wok Ring Assembly with Wok Guards and Brackets, For 300mm Wok Bowl		2	
6A	Custom Silicone Ring Seal	4601436	2	
7	Garland Module-Line Single Hob MO/BA 5000, 5kW (custom model)	99610023	1	
8	Garland Module-Line Wok MO/WO 5000, 5kW, 300mm Wok Bowl, with Custom Control Switch	99610027	2	
10+	Power Supply, 12 VDC	4520614	1	R C
11+	Polar Fan 230V	4517669	3	R
12+	Thermistor Probe Assembly	4520612	1	R C
13+ **	Electronic Control (Fan Control PLC) NOTE: Call Factory For Programmed Version		1	R C
14**		Accessory: Tray for Condiments, Spices		

⁽¹⁾ R=Recommended Stock Part / C=Critical Part

** Part listed for reference only. Consult factory for details.

+ Part Not Illustrated

Module-Line Single Hob MO/BA 5000 (Custom Model)



MO/BA

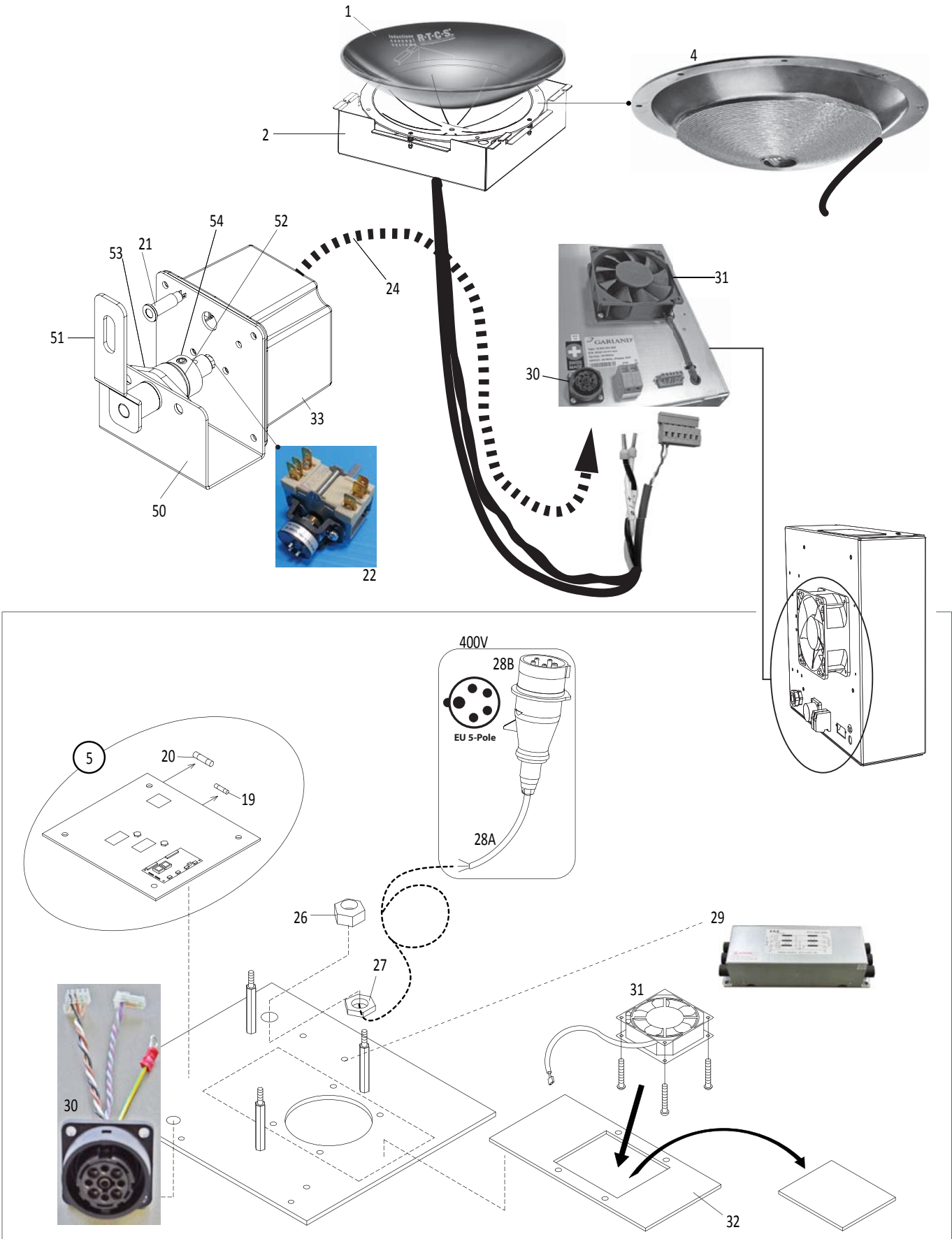
Induction RTCS Module-Line Custom Single Hob, 5.0kW

custom model in Designer Series, SPGCI-03101, SPGCI-03102
400V: MO/BA 5000, 5.0kW 50/60Hz 3Phase (Generator IN/MO/BA 5000, Article No. 99610023)

Item	Description	Part Number	400V	R C ⁽¹⁾	
3	Control Assembly, 1m Cable	94030005	1		
4	Induction Coil #17.02 includes CU Sensors NOTICE: After replacing item#4, MUST RESET ALL PARAMETERS with an IR adapter tool (P/N 98990001 , see Accessories). Refer to service manual for instructions.	93017040	1	R C	
+	5	400V Power Module Complete 5kW. Kit includes a short circuit plug and instructions to set board parameters. Was 98021712 .	98021776	1	R C
^ *	6	Protective Sheet (No longer required for item 5)	72291131		
	9	CU1/CU2 Sensors NOTICE: When replacing only the CU sensor, ensure to initialize with a short circuit plug (P/N 94900096 , see Repair Accessories"). For instructions, refer to Service Manual, section "8.1 How to initialize the CU sensors by the short circuit plug".	94040050	1	R C
	10	Ceran Glass 322 x 322 x 4 mm (with Silicone Gasket, item 11)	77322001	1	R C
	11	Silicone Gasket 350 x 12 x 3mm (for glass installation)	70000007	4	R C
	14	Aluminum Coil Carrier Sheet with Round Coil 5.0kW and CU Sensors, Cables 250cm long NOTE: Cables can be extended upon request. Consult Garland for details.	98101705	1	
	19	Fuse T1.0A	34110019	1	R C
	20	Fuse 15amp 250V 6.3x32	34120159	3	R C
	21	LED 24V Green - Chrome	35624009	1	R
	22	Control Switch with Potentiometer, 2-Pol, no Cable	94010001	1	R C
	23	Knob 0-12	39400001	1	R
	24	Harness Main Control, Cable 250cm	94030015	1	
	26	Screwed Cable Gland PG 16	39500009	1	
	27	Screw Nut PG 16	39500003	1	
	28A	Power Cable Only, No Plug, VDE 4x 1.5mm ²	38615050	1	R C
	28B	Mains Plug EU 5-Pole, 400V/16A	32750503	1	R C
	28C	Power Cable with Plug (VDE 4x 1.5mm ² EU 5-Pole, 400V/16A)	38615042		
	29	Mains Line Filter 3 Phase 8A	39330800	1	
	30	Female Plug with Cable	94900077	1	
	31	Axial Fan	94090002	1	R C
	32	Heat Sink Pad NOTICE: Remove and discard the center piece of the Heat Sink Pad for fan ventilation.	72291120	1	
	33	Connector Box Switch - Plastic	72261070	1	
	34	Front Panel (Without Guard)	72244100	1	

^ Revised | + New | * Not shown in illustration. | ⁽¹⁾ R=Recommended Stock Part / C=Critical Part

Module-Line Wok MO/WO 5000 (Custom Model)



MO/WO

Induction RTCS Module-Line Custom Wok, 5.0kW

custom model in Designer Series, SPGCI-03101, SPGCI-03102

400V: MO/WO 5000, 5.0kW 50/60Hz 3Phase (Generator IN/MO/WO5000, Article No. 99610027)

	Item	Description	Part Number	400V	R C ⁽¹⁾
	1	Ceran Wok Bowl 306x6mm (12.05" x 0.24")	77302001	1	
	2**	Trough with Ferrite for Install Wok Line (Custom)	-	1	
	4	Induction Wok Carrier with Coil and Sensor Coil diameter 270mm Cable length 2500mm	98120401	1	R C
+	5	400V Power Module WOK 5kW. Pre-programmed with voltage specific parameters. Was 98021713 .	98021777	1	R C
^ *	6	Protective Sheet (No longer required for item 5)	72291131		
	19	Fuse T1.0A	34110019	1	R C
	20	Fuse 15amp 250V 6.3x32	34120159	3	R C
	21	Indicator Lamp 24V LED Green - Chrome	35624009	1	R
	22	Control Switch with Potentiometer, 2-Pol, no Cable	94010001	1	R C
	24	Harness Main Control, 2.5-meter	94030015	1	
	26	Screwed Cable Gland PG 16	39500009	1	
	27	Screw Nut PG 16	39500003	1	
	28A	Power Cable Only, No Plug, VDE 4x 1.5mm2	38615050	1	R C
	28B	Mains Plug EU 5-Pole, 400V/16A	32750503	1	R C
	29	Mains Line Filter 3 Phase 8A	39330800	1	
	30	Female Plug with Cable	94900077	1	
	31	Axial Fan (SH/IN Models)	94090002	1	R C
	32	Heat Sink Pad NOTICE: Remove and discard the center piece of the Heat Sink Pad for fan ventilation.	72291120	1	
	33	Connector Box Switch - Plastic	72261070	1	
	50**	Control Mount	-	1	
	51**	Control Handle Assembly	-	1	
	52**	Thrust Washer 0.5	-	2	
	53**	Flange Mount Bearing 0.5	-	1	
	54**	Locking Collar 0.5	-	1	

^ Revised






+ New

⁽¹⁾ R=Recommended Stock Part / C=Critical Part

** Part listed for reference only. Consult factory for details.

* Part Not Illustrated

Repair Accessories

Photo	Description	Part Number
	<p>IR Adapter Usage: To receive infrared signals from an induction cooker and communicate via a HyperTerminal, or equivalent, on a laptop or other mobile peripherals. Might require additional adapters (not provided).</p>	98990001
	<p>USB- RS232 Adapter Usage: To connect an IR Adapter (98990001) to a computer/device that does not have any RS232 connector.</p>	39800001
	<p>Heat Sink Compound P12. Usage: To mount IGBT or Print/Board onto a Heatsink.</p>	70000020
	<p>Short Circuit (Service) Plug (RTCS only, Not for RTCSmp) Usage: To initialize CU sensors.</p>	94900096
	<p>High Temperature Tape 16mm Usage, for example: To retain PTC(RTC) sensors; to be used as a temporary adhesive; to be used as a high temperature insulator for coil repair.</p>	70000022
	<p>Silicone Glue PACTAN 7076 (for Installation)</p>	70000015
	<p>Wire Punch Down Tool</p>	79000024
	<p>Calibration or Test Plates: Use these plates to calibrate and verify pan detection settings.</p>	
	<p>Calibration Plate, Ø 120mm, with Handle</p>	79000120
	<p>Calibration Plate, Ø 100mm, with Handle</p>	79000100
	<p>Calibration Plate, Ø 90mm, with Handle</p>	79000090
	<p>Calibration Plate, Ø 70mm, with Handle</p>	79000070




Cooking Accessories

Notice

Use Wok Pans with Correct Contour

Garland recommends that the wok pans used be the correct contour to the Ceran glass bowl (Built-In and Module-Line Models). To reduce premature failures such as overheating, wok pans should not touch the glass but only sit onto the upper flange.

Please consult your dealer for a list or our pan selection and prices.

Photo	Description	Part Number
	Large Iron Wok with Stainless Steel Round Handle diameter 14.1-inch / 360mm height 5.5-inch / 140mm capacity 2.47-gallon / 9.5-litre	72205015
	Round-Base Wok, Multi-Layer diameter 14.1-inch / 360mm height 3.9-inch / 100mm capacity 1.35-gallon / 5.2-litre	72205016
	Round-Base Wok, Multi-Layer diameter 14.1-inch / 360mm height 5.5-inch / 140mm capacity 2.47-gallon / 9.5-litre	72205020



WELBILT[®]
KITCHENCARE[®]



GARLAND[®]

1-844-724-CARE • 1-844-724-2273

www.mtwkitchencare.com

www.garland-group.com

