

Induction RTCS 3.5 kW Models

Countertop/ Built-In Line/ Module-Line Single Hob & Wok

Parts List

Countertop models

BH/BA.....*single baby hob*

SH/BA.....*single cook-top*

SH/WO.....*wok*

SH/MU.....*digital control*

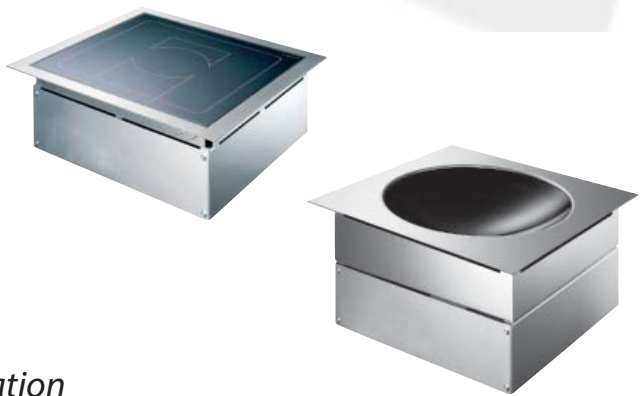


Built-In Line models

SH/IN.....*single cook-top*

SH/WO/IN....*wok, Standard Model*

SH/WO/IN....*wok, Designer Series Pasta Station*

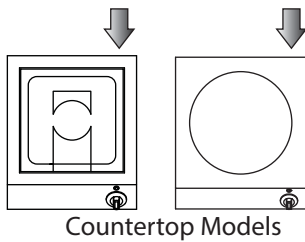


Module-Line models

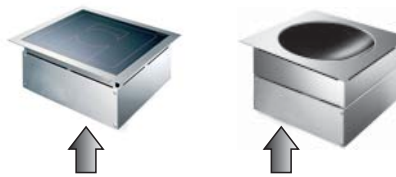
MO/WO.....*wok (generator IN/MO/WO)*



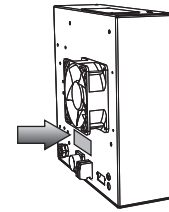
Rating Plate Location



Countertop Models



Built-In Models

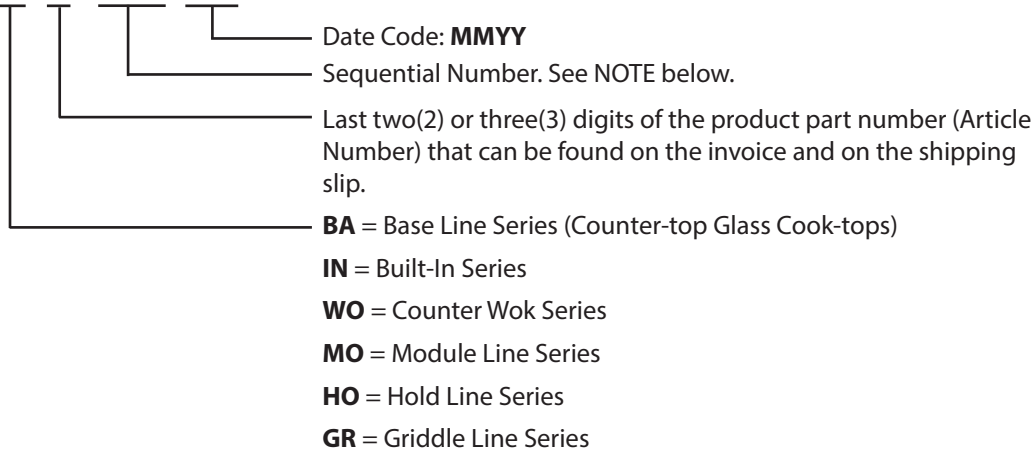


Module-Line Models

Serial Number (S/N) Explained

The serial number of your unit is listed on the rating plate.

Example: IN 01 . 00014 . 1213



NOTE: non-RTCS / RTCS / RTCSmp models

- A non-RTCS/RTCSmp unit has a 4-Digit Sequence Number.
- A RTCS or RTCSmp unit has a 5-Digit Sequence Number.
- A RTCSmp unit is indicated as such on the Rating Plate.

Nomenclature and Models

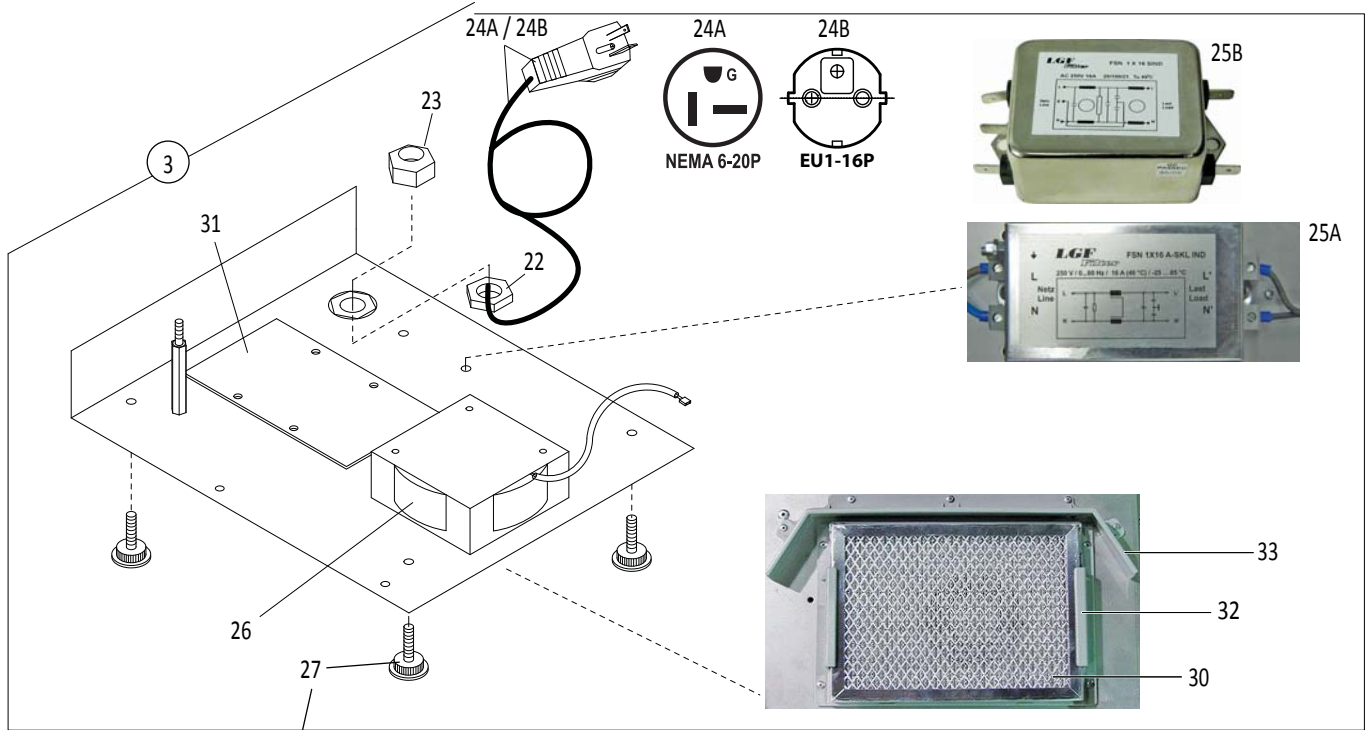
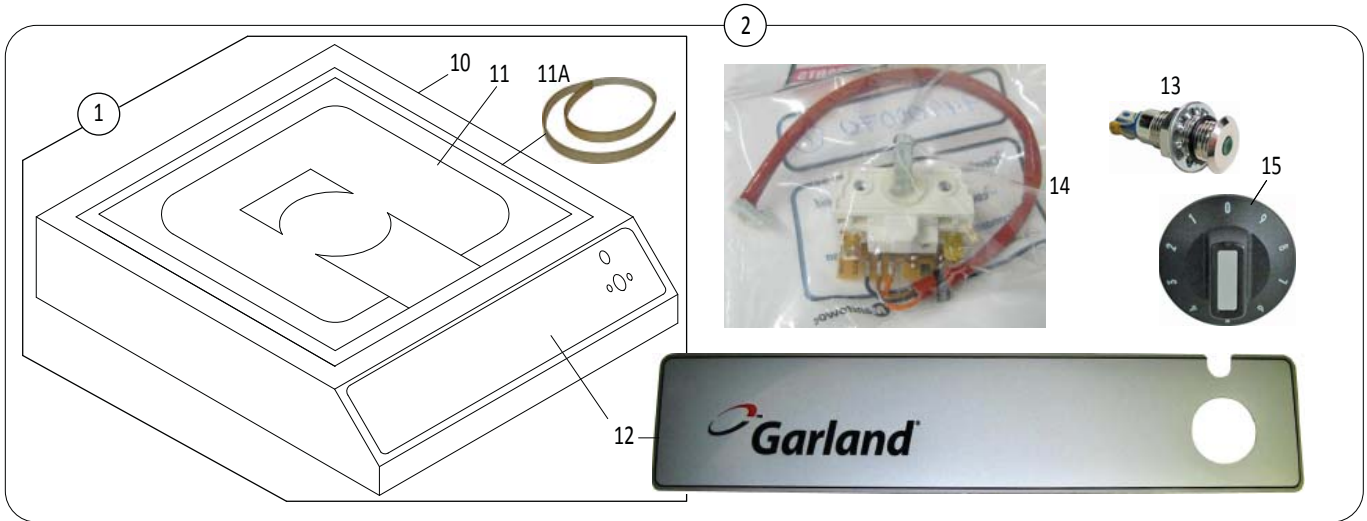
Series	Function	Built-in	Power (Watt)	Models*
BH = Baby Hob	BA = Base Line		1800, 2500, 3500	BH/BA 1800, BH/BA 2500, BH/BA 3500
SH = Slim Hob	BA = Base Line		2500, 3500, 5000	SH/BA 2500, SH/BA 3500, SH/BA 5000
		IN = Built-In Line	2500, 3500, 5000	SH/IN 2500, SH/IN 3500, SH/IN 5000
	WO = Wok Line		3500, 5000, 8000	SH/WO 3500, SH/WO 5000, SH/WO 8000
	WO = Wok Line	IN = Built-In Line	3500, 5000, 8000	SH/WO/IN 3500, SH/WO/IN 5000, SH/WO/IN 8000
MO = Module-Line	MU = Multi Line		5500	SH/MU 5500
	WO = Wok Line		3500	MO/WO 3500 (with Generator model IN/MO/WO 3500)
			5000	MO/WO 5000 (with Generator model IN/MO/WO 5000)
		8000	MO/WO 8000 (with Generator model IN/MO/WO 8000)	

* Please refer to other part manuals for RTCS 1.8/2.5/5.0/8.0kW models.

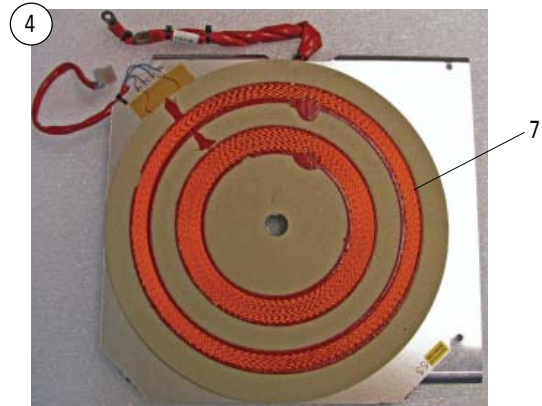
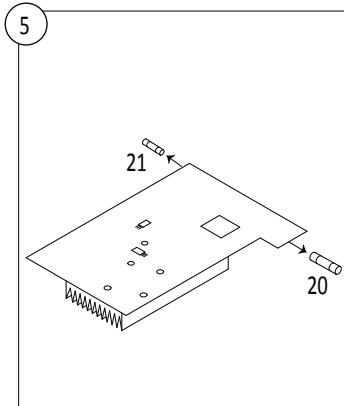
Table of Contents

Rating Plate Location	2
Serial Number (S/N) Explained	2
Nomenclature and Models	2
Counter Cook-Top Single Baby Hob BH/BA 3500	4
Counter Cook-Top Single Hob SH/BA 3500	6
Counter Wok SH/WO 3500	8
Counter Multi-Function (Digital Control) Line, SH/MU3500 or GMIU 3.5kW	10
Built-In Line Single Hob SH/IN 3500	12
Built-In Line Wok SH/WO/IN 3500	14
Built-In Line Wok SH/WO/IN 3500 for Pasta Station F18MR68R-BP (DIPS68")	16
Built-In Line Wok SH/WO/IN 3500 for Pasta Station F18RC93-BPL (DIPS93")	18
Module-Line Wok MO/WO 3500 (IN/MO/WO 3500)	20
Repair Accessories	22
Cooking Accessories	23

Counter Cook-Top Single Baby Hob BH/BA 3500



Retaining Clips for 208/ 240V North America Market. See service tips in item 27.



99560109 99560110 99560111

Induction RTCS Counter Cook-Top Single Baby Hob, 3.5kW

models

208V: BH/BA 3500, 3.5kW 16A 60Hz 1Phase, Article No. 99560109

230V: BH/BA 3500, 3.5kW 15A 50Hz 1Phase, Article No. 99560110

240V: BH/BA 3500, 3.5kW 14A 60Hz 1Phase, Article No. 99560111

	Item	Part Number	Description	Quantity			RC ⁽¹⁾			
				208V	230V	240V				
	1	98300100	Upper Case BH/BA Assembly (Includes items 10, 11 & 12)	1	1	1				
	2	98300031	Case Complete Top BH/BA Assembly (Includes items 1, 13, 14 & 15)	1	1	1				
	3	98200003	Base Assembly (Includes items 22 - 28 & 30 - 33)	1	1	1				
	4	93061040	Induction Coil #61.04 with RTCS CU Sensors and metal carrier NOTICE: After replacing item, MUST RESET ALL PARAMETERS with an IR adapter tool (P/N 98990001 , see Repair Accessories). Refer to service manual for instructions.	1	1	1	RC			
	+	98021743	Kit, Power Board, BH/BA 3500, 208VAC, 1N, 3.5kW. Kit includes a short circuit plug and instructions to set board parameters. (was 98021721)	1			RC			
	+	98021768	Kit, Power Board, BH/BA 3500, 240VAC, 1N, 3.5kW. Kit includes a short circuit plug and instructions to set board parameters. (was 98021721)			1	RC			
	+	98021753	Kit, Power Board, BH/BA 3500, 230VAC, 1N, 3.5kW. Kit includes a short circuit plug and instructions to set board parameters. (was 98021703)		1		RC			
	^ *	6	72291131	Protective Sheet (no longer required on power board, item 5)						
	7	94040050	CU1/CU2 Sensors NOTICE: When replacing the CU sensor only, ensure to initialize with a short circuit plug (P/N 94900096 , see Repair Accessories). Refer to service manual for instructions.	1	1	1	RC			
	10	72184020	Upper Case "BH/BA"	1	1	1				
	11	77262001	Ceran Glass 260 x 260 x 4mm	1	1	1	RC			
	11A	70000001	Silicone Gasket (for glass installation) 250x 6x 4mm	4	4	4	RC			
	12	66000000	Overlay	1	1	1				
	13	35624009	LED 24V Green - Chrome	1	1	1	R			
	14	94900070	Step Switch With Cable	1	1	1	RC			
	15	39400003	Knob 0-9	1	1	1	R			
	20	34120159	Fuse SUT 15Amps 250V-6.3x32	2	2	2	RC			
	21	34110019	Fuse T1.0A	1	1	1	RC			
	22	39500003	Screw Nut PG 16	1	1	1				
	23	39500009	Screwed Cable Gland PG 16	1	1	1				
	24A	38614035	Mains Cable with Plug USA Type NEMA 6-20P	1		1	RC			
	24B	38615030	Mains Cable with Plug EU 1-16P		1		RC			
	25A	39311603	Mains Line Filter 16A	1	-	1				
	25B	39311602	Mains Line Filter 16A	-	1	-				
	26	94090011	Radial Fan 24V DC	1	1	1	RC			
	^	27	95000120	Foot Complete Assembly, Adjustable Service Tips: 208/240V North America market only. Retaining clips are installed at factory on the feet to prevent threads from turning out too far. It is necessary to open the unit to replace the feet.			4	4	4	R
	30	71000003	Air Intake Filter 200x 150x 12mm	1	1	1	R			
	31	72291120	Heat Sink Pad 215 x 98 x 5 mm	1	1	1				
	32	72261030	Frame for Air Intake Filter	1	1	1	R			
	33	72142470	Air Deflector	1	1	1	R			

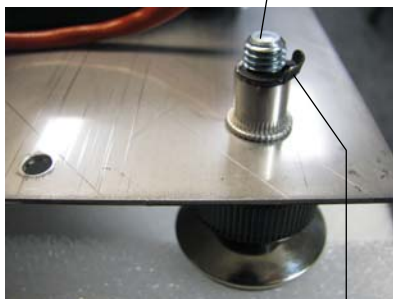
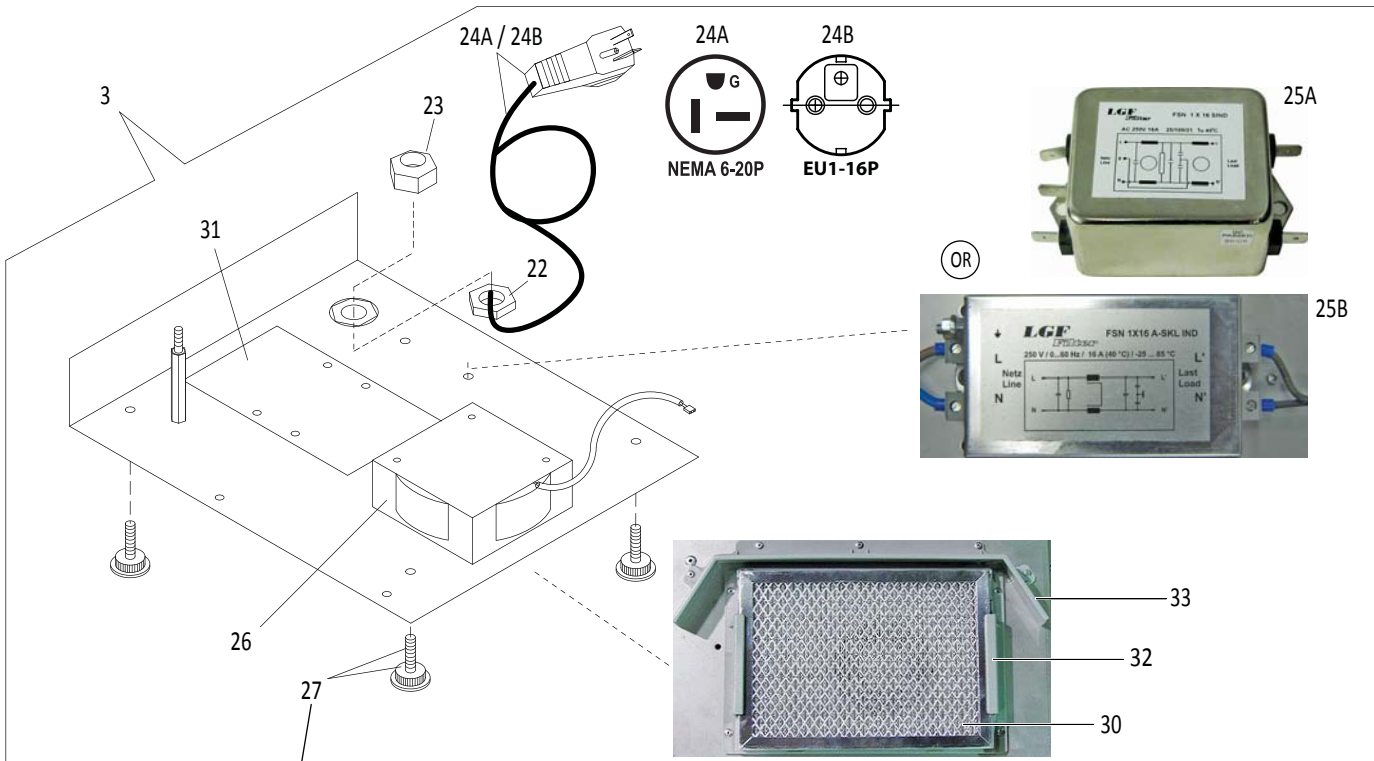
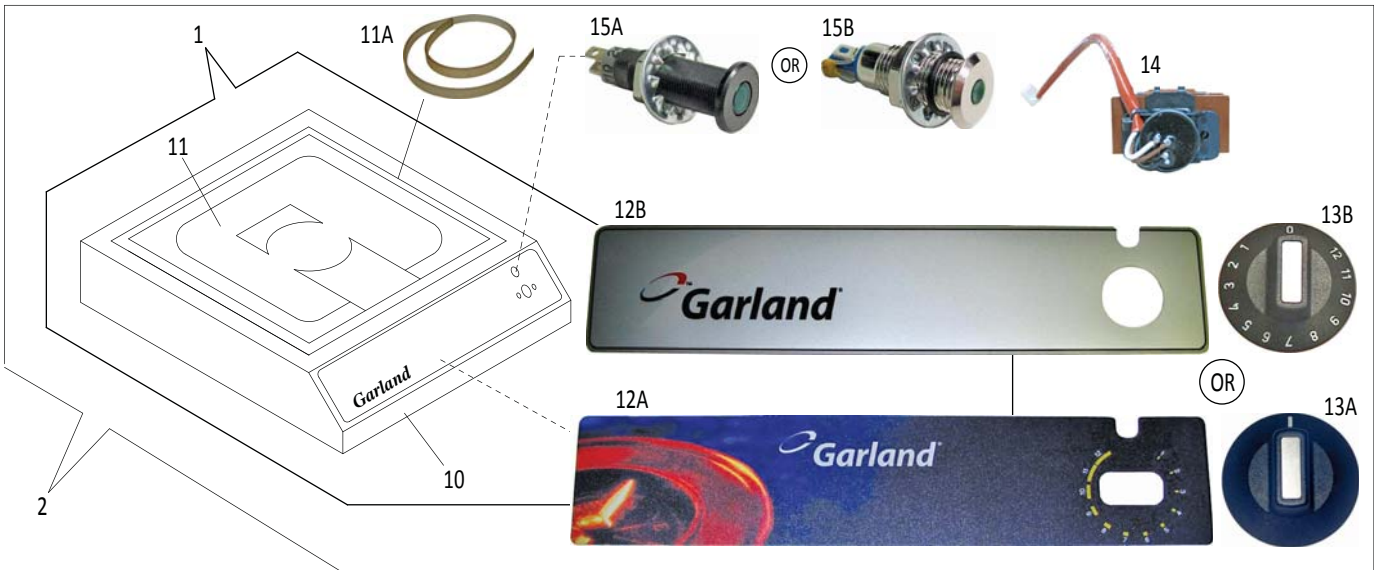
^ Revised

+ New

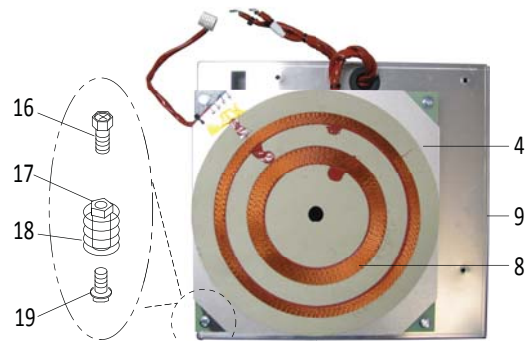
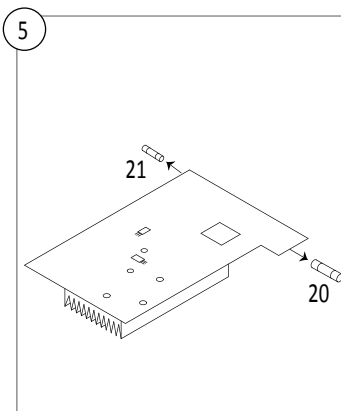
* Not Illustrated

⁽¹⁾ R=Recommended Stock Part / C=Critical Part

Counter Cook-Top Single Hob SH/BA 3500



Retaining Clips for 208/ 240V North America Market.
See service tips in item 27.



99560004 99560005 99560006

Induction RTCS Counter Cook-Top Single Hob, 3.5kW

208V: SH/BA 3500, 3.5kW 16A 60Hz 1Phase, Article No. 99560004

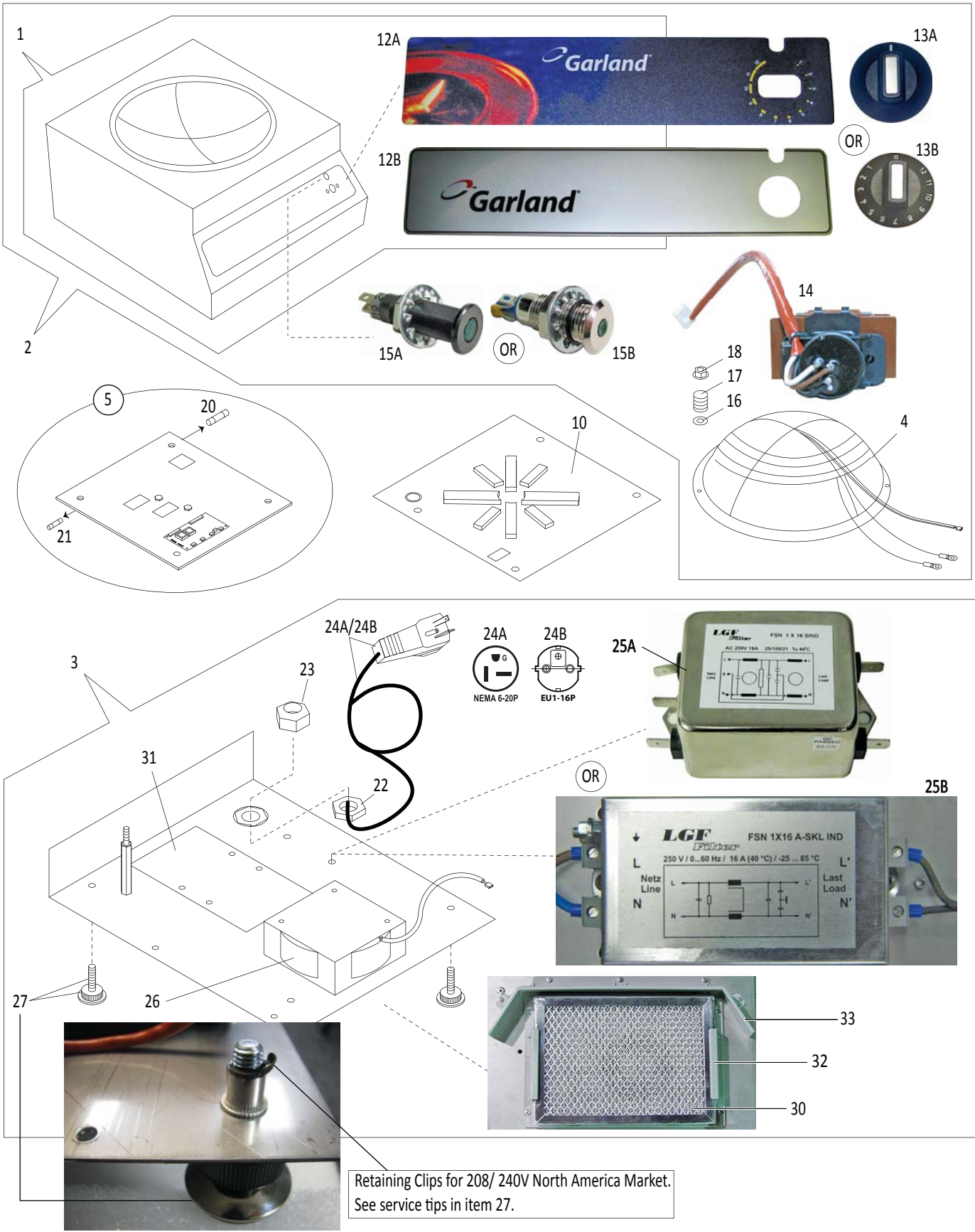
230V: SH/BA 3500, 3.5kW 15A 50Hz 1Phase, Article No. 99560005

240V: SH/BA 3500, 3.5kW 14A 60Hz 1Phase, Article No. 99560006

Item	Part Number	Description	208V	230V	240V	RC ⁽¹⁾	
1	98300101	Upper Case SH/BA Assembly (Includes items 10, 11, 11A & 12)	1	1	1		
2	98300032	Case Complete Top SH/BA Assembly (Includes items 1, 13, 14 & 15)	1	1	1		
3	98200027	Base Assembly (Includes items 22 - 28, 30 - 33)	1	1	1		
4	93003080	Induction Coil #3.08 includes CU Sensors NOTICE MUST RESET ALL PARAMETERS with an IR adapter tool (P/N 98990001, see Repair Accessories). Refer to service manual for instructions.	1	1	1	RC	
+	98021765	Kit, Power Board ET/ 1217, 240V, 1N, 3.5kW SH/BA. Kit includes a short circuit plug and instructions to set board parameters. (was 98021721)	-	-	1	RC	
+	98021740	Kit, Power Board 208V, 1N, 3.5KW SH/BA. Kit includes a short circuit plug and instructions to set board parameters. (was 98021721)	1	-	-	RC	
+	98021750	Kit, Power Board 3.5kW, 230VAC, 1N, SH/BA. Kit includes a short circuit plug and instructions to set board parameters. (was 98021703)	-	1	-	RC	
^ *	6	72291131	Protective Sheet (no longer required on power board, item 5)				
8	94040050	CU1/CU2 Sensors NOTICE If replacing the CU sensor only, ensure to initialize with a short circuit plug (P/N 94900096, see Repair Accessories). Refer to service manual for instructions.	1	1	1	RC	
9	72115028	Coil Carrier Sheet (Aluminum Plate) – Single, Counter-Top	1	1	1		
10	72140130	Upper Case "SH/BA"	1	1	1		
11	77322001	Ceran Glass (or use item 1)	1	1	1	RC	
11A	70000002	Silicone Gasket 306 x 6 x 4mm (for glass installation)	4	4	4	RC	
12A	3012601	Overlay (0-12). Use with Knob item 13A.	1	1	1		
12B	66000002	Overlay. Use with Knob item 13B.	1	1	1		
13A	39400004	Knob, Plain. Use with Overlay item 12A.	1	1	1	R	
13B	39400001	Knob (0-12). Use with Overlay item 12B.	1	1	1	R	
14	94010011	Power Switch - includes Potentiometer & Cable (4-pole) SH	1	1	1	RC	
15A	35624001	LED 24V Green - Black Housing (NOT interchangeable with item 15B)	1	1	1	R	
15B	35624009	LED 24V Green - Chrome (NOT interchangeable with item 15A)	1	1	1	R	
16	60595006	Screw M5 x 10mm (was 60595004 M5 x 12mm)	4	4	4		
17	65840001	Coil Pin M5 x 23mm	4	4	4		
18	73000002	Compression Spring 1.1 x 13 x 45.7	4	4	4		
19	60595006	Screw M5 x 10mm (was 60528501, Plastic Screw M5x8mm)	4	4	4		
20	34120159	Fuse SUT 15amp 250v 6.3x32	2	2	2	RC	
21	34110019	Fuse T1.0A	1	1	1	RC	
22	39500003	Screw Nut PG 16	1	1	1		
23	39500009	Screwed Cable Gland PG 16	1	1	1		
24A	38614035	Mains Cable with Plug USA Typ NEMA 6-20P	1		1	RC	
24B	38615030	Mains Cable with Plug EU 1-16P		1		RC	
25A	39311602	Mains Line Filter 16A Note: 208V - Used UPTO serial# BA04.00103.1011 Note: 240V - Used UPTO serial# BA06.00098.0211	1	-	1		
		Mains Line Filter 16A	-	1	-		
25B	39311603	Mains Line Filter 16A Note: 208V - Used FROM serial# BA04.00104.1011 Note: 240V - Used FROM serial# BA06.00099.1111	1	-	1		
26	94090011	Radial Fan 24V DC	1	1	1	RC	
^	27	95000120	Foot Complete Assembly, Adjustable Service Tips: 208/240V North America market only. Retaining clips are installed at factory on the feet to prevent threads from turning out too far. It is necessary to open the unit to replace the feet.				R
30	71000003	Air Intake Filter 200x 150x 12mm	1	1	1	R	
31	72291120	Heat Sink Pad 215 x 98 x 5 mm	1	1	1		
32	72261030	Frame for Air Intake Filter	1	1	1	R	
33	72142470	Air Deflector	1	1	1	R	

^ Revised | + New | * Not Illustrated | ⁽¹⁾ R=Recommended Stock Part / C=Critical Part

Counter Wok SH/WO 3500



99570001 99570002 99570003

Induction RTCS Counter Wok, 3.5kW

models

208V: SH/WO 3500, 3.5kW 16A 60Hz 1Phase, Article No. 99570001

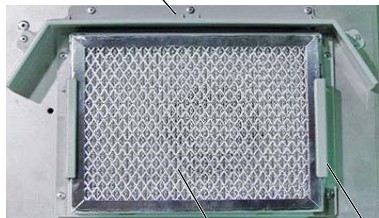
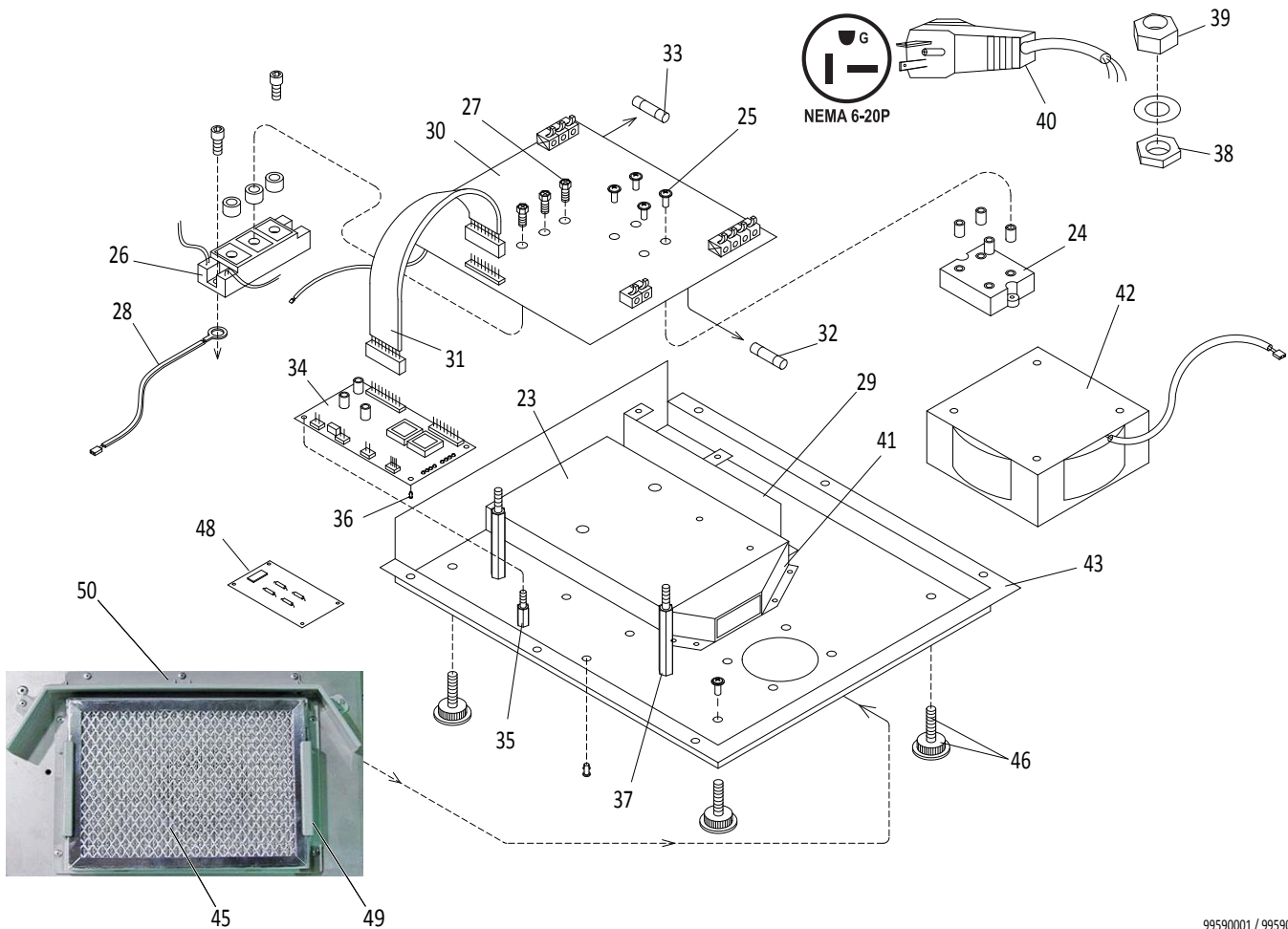
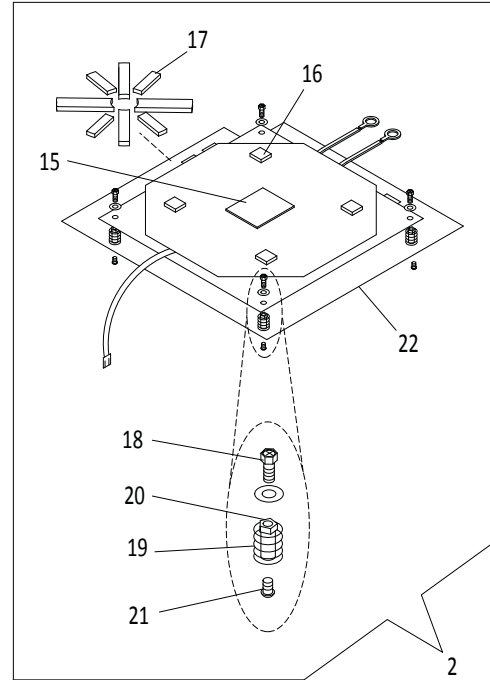
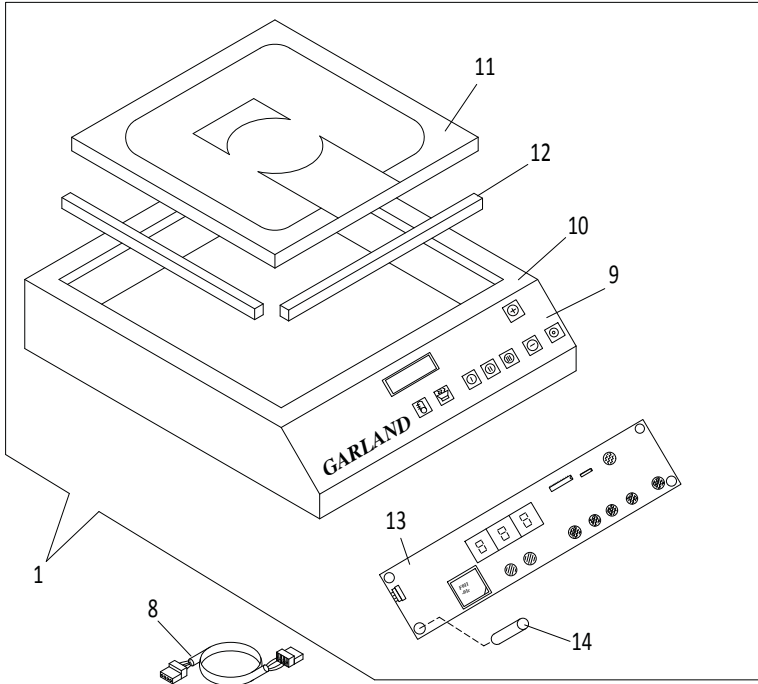
230V: SH/WO 3500, 3.5kW 15A 50Hz 1Phase, Article No. 99570002

240V: SH/WO 3500, 3.5kW 14A 60Hz 1Phase, Article No. 99570003

Item	Part Number	Description	Quantity			R C ⁽¹⁾	
			208V	230V	240V		
1	98300108	Upper Case SH/WO Assembly. Includes overlay and Ceran wok bowl (77302001, not sold separately)	1	1	1		
2	98300033	Top Case Complete Assembly (Includes items 1, 4, 13 to 18)	1	1	1		
3	98200027	Base Assembly (Includes items 22 - 30, 31 - 33)	1	1	1		
4	93203011	Induction Wok Coil #203.01 with Sensor	1	1	1	R C	
+	5	98021744	Power Board WOK SH/WO, 208VAC, 1N, 3.5kW, pre-programmed with voltage specific parameters. (was 98021722-208V)	1	-	-	R C
+		98021755	Power Board WOK SH/WO, 230VAC, 1N, 3.5kW, pre-programmed with voltage specific parameters. (was 98021704 w/ no parameters)	-	1	-	R C
+		98021769	Power Board WOK SH/WO, 240VAC, 1N, 3.5kW, pre-programmed with voltage specific parameters. (was 98021722-240V)	-	-	1	R C
^ *	6	72291131	Protective Sheet (no longer required on power board, item 5)				
10	98100101	Sheet Metal with Ferrite	1	1	1		
12A	3012601	Overlay (0-12). Use with Knob item 13A.	1	1	1		
12B	66000002	Overlay. Use with Knob item 13B.	1	1	1		
13A	39400004	Knob, Plain. Use with Overlay item 12A.	1	1	1	R	
13B	39400001	Knob (0-12). Use with Overlay item 12B.	1	1	1	R	
14	94010011	Control Switch with Potentiometer, 4-Pol, with Cable, SH	1	1	1	R C	
15A	35624001	LED 24V Green - Black Housing (NOT interchangeable with item 15B)	1	1	1	R	
15B	35624009	LED 24V Green - Chrome (NOT interchangeable with item 15A)	1	1	1	R	
16	60056702	Washer (No longer required; used in units built before May, 2006 / serial# INXX.XXXXX.0506)	4	4	4		
17	73000004	Compression Spring	4	4	4		
18	60678301	Nut	4	4	4		
20	34120159	Fuse SUT 15amp 250v 6.3x32	2	2	2	R C	
21	34110019	Fuse T 1.0A	1	1	1	R C	
22	39500003	Screw Nut PG 16	1	1	1		
23	39500009	Screwed Cable Gland PG 16	1	1	1		
24A	38614035	Mains Cable with Plug USA Typ NEMA 6-20P	1	-	1	R C	
24B	38615030	Mains Cable with Plug EU 1-16P	-	1	-	R C	
25A	39311602	Mains Line Filter 16A Note: 208V - Used UP TO serial# WO01.00148.0911 Note: 240V - Used UP TO serial# WO03.00033.0611	NOTICE Line Filters 25A and 25B are NOT interchangeable. When ordering a replacement part, ensure you check both the serial# and the type of filter installed in your unit.	1	-	1	
		Mains Line Filter 16A		-	1	-	
25B	39311603	Mains Line Filter 16A Note: 208V - Used FROM serial# WO01.00149.0911 Note: 240V - Used FROM serial# WO03.00034.1111		1	-	1	
26	94090011	Radial Fan 24V DC	1	1	1	R C	
^	27	95000120	Foot Complete Assembly, Adjustable Service Tips: 208/240V North America market only. Retaining clips are installed at factory on the feet to prevent threads from turning out too far. It is necessary to open the unit to replace the feet.	4	4	4	R
30	71000003	Air Intake Filter 200x 150x 12mm	1	1	1	R	
31	72291120	Heat Sink Pad 215 x 98 x 5 mm	1	1	1		
32	72261030	Frame for Air Intake Filter	1	1	1	R	
33	72142470	Air Deflector	1	1	1	R	

^ Revised | + New | * Not Illustrated | ⁽¹⁾ R=Recommended Stock Part / C=Critical Part

Counter Multi-Function (Digital Control) Line, SH/MU3500 or GMIU 3.5kW



99590001 / 99590003

Induction RTCS Counter Multi-Function (Digital Control) Line Single Hob, 3.5kW

models

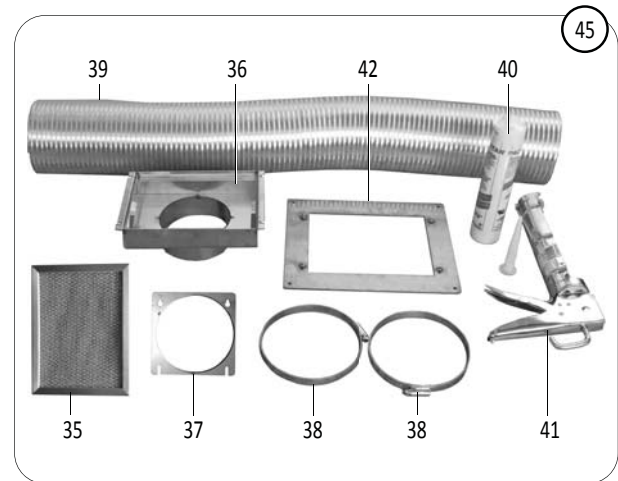
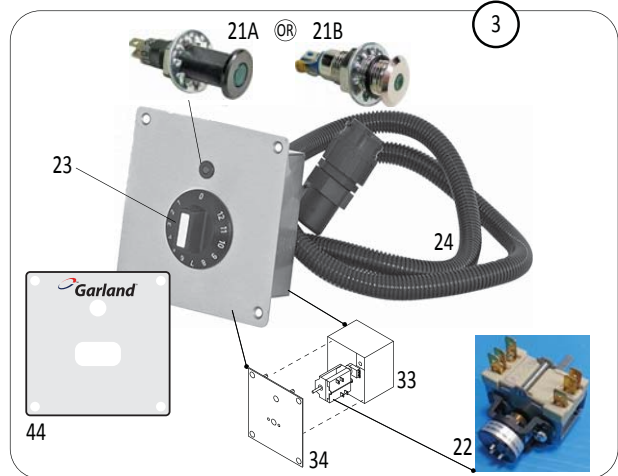
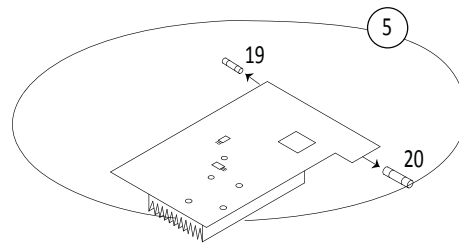
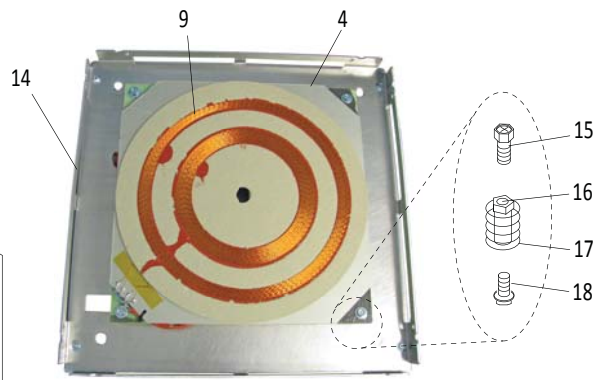
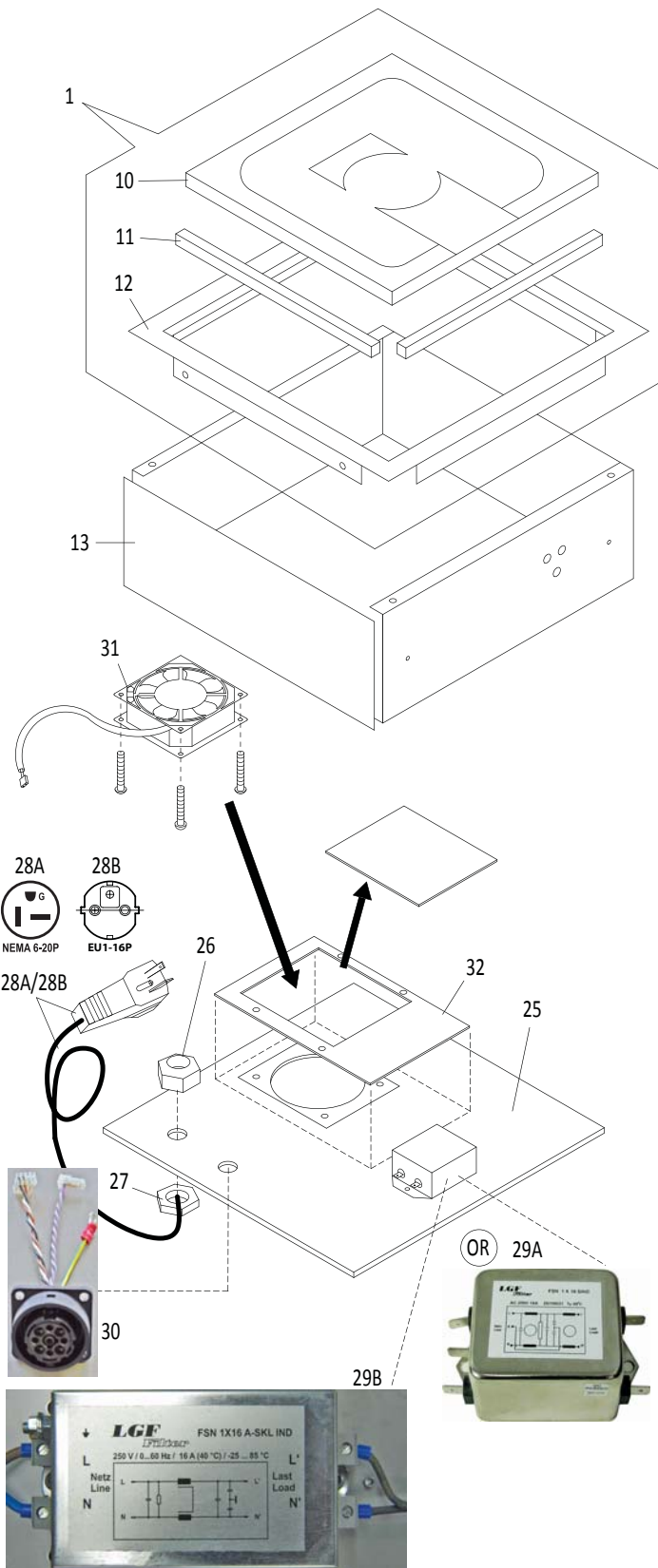
208V: SH/MU 3500, 3.5kW 60Hz, Article No. 99590001

240V: SH/MU 3500, 3.5kW 60Hz, Article No. 99580003

Item	Part Number	Description	Quantity		R C ⁽¹⁾
			208V	240V	
1	98300008	Case Upper Part Complete (Includes items 9,10,11,12,13 &14)	1	1	
2	93003041	Coil # 3.04 With PTC-sensing Element And Sensor Coil (Includes items 15 - 22)	1		
	93003031	Coil # 3.03 With PTC-Sensing Element And Sensor Coil (Includes items 15 - 22)		1	
8	94900005	4-Pin Cable for Multi-Line Keyboard	1	1	
9	3012603	Garland Overlay	1	1	
10	72185081	Case Upper Part	1	1	
11	77322001	Ceran Glass 322x 322mm	1	1	R C
12	70000002	Silicone Gasket 306 x 6 x 4mm (for glass installation)	4	4	R C
13	98403301	Keyboard	1	1	
14	61404901	Spacer	4	4	
15	94040010	PTC-Sensor with Insulation and Plug 1-Kohms	1	1	R
16	69000011	Spacer 4mm	4	4	
17	30000110	Ferrite 110mm	4	4	
18	60595004	Hexagon Screw M5x12	4	4	
19	73000002	Compression Spring 1.1x13.6x45.7	4	4	
20	65840001	Distance Bolt M5x23	4	4	
21	60528501	Cup Bolt M5x8	4	4	
22	72115028	Coil Carrier Sheet Single	1	1	
23	33143021	Heat Sink SH Single	1	1	
24	42403010	Rectifier 1Ph	1	1	
25	95000005	Screws For Rectifier	4	4	
26	47301000	IGBT C5 - Transistor Module	1	1	
27	95000007	Screws for IGBT - Transistor Module	3	3	
28	94040001	NTC 20KOhm Heat Sink Sensor - 160mm	1	1	
29	72116012	Side Sheet	1	1	
30	91031050	Power Print 1N208/3.5 SH/W (Power Board)	1		
	91031030	Power Print 1N230/3.5 SH/W (Power Board)		1	
31	94900001	Cable Single CPU (Logic Board - Power PCB Cable) 10Pin	1	1	
32	34110019	Fuse T1A 250V 5x20	1	1	R C
33	34120159	Fuse SUT 15amp 250v 6.3x32 (was 34120109 Fuse T10A 250V 6.3 x32)	1	1	R C
34	98401808	CPU-Print Multi-Line (Logic Board)	1	1	
35	64070001	Spacer M4x8			
36	64070007	Spacer Double Locking			
37	64070005	Spacer M4x70	2	2	
38	39500003	Screw Nut PG 16	1	1	
39	39500009	Screwed Cable Gland PG 16	1	1	
40	38614035	Mains Cable with Plug USA Type NEMA 6-20P (was 38614030 Mains Cable with Plug USA Type NEMA 6-20)	1	1	R C
41	72142011	Air Duct Single	1	1	
42	39223001	Radial Fan 230V	1	1	R C
43	72185039	Bottom Sheet	1	1	
45	71000003	Air Intake Filter 200x 150x 12mm	1	1	R
46	95000120	Foot Complete Assembly, Adjustable	4	4	R
48	90101000	Measuring Amplifier	1	1	
49	72261030	Frame for Air Intake Filter	1	1	R
50	72142470	Air Deflector	1	1	R

^ Revised | + New | * Not Illustrated | ⁽¹⁾ R=Recommended Stock Part / C=Critical Part

Built-In Line Single Hob SH/IN 3500



99580004 99580005 99580006

Induction RTCS Built-In Line Single Hob, 3.5kW

208V: SH/IN 3500, 3.5kW 16A 60Hz 1Phase, Article No. 99580004

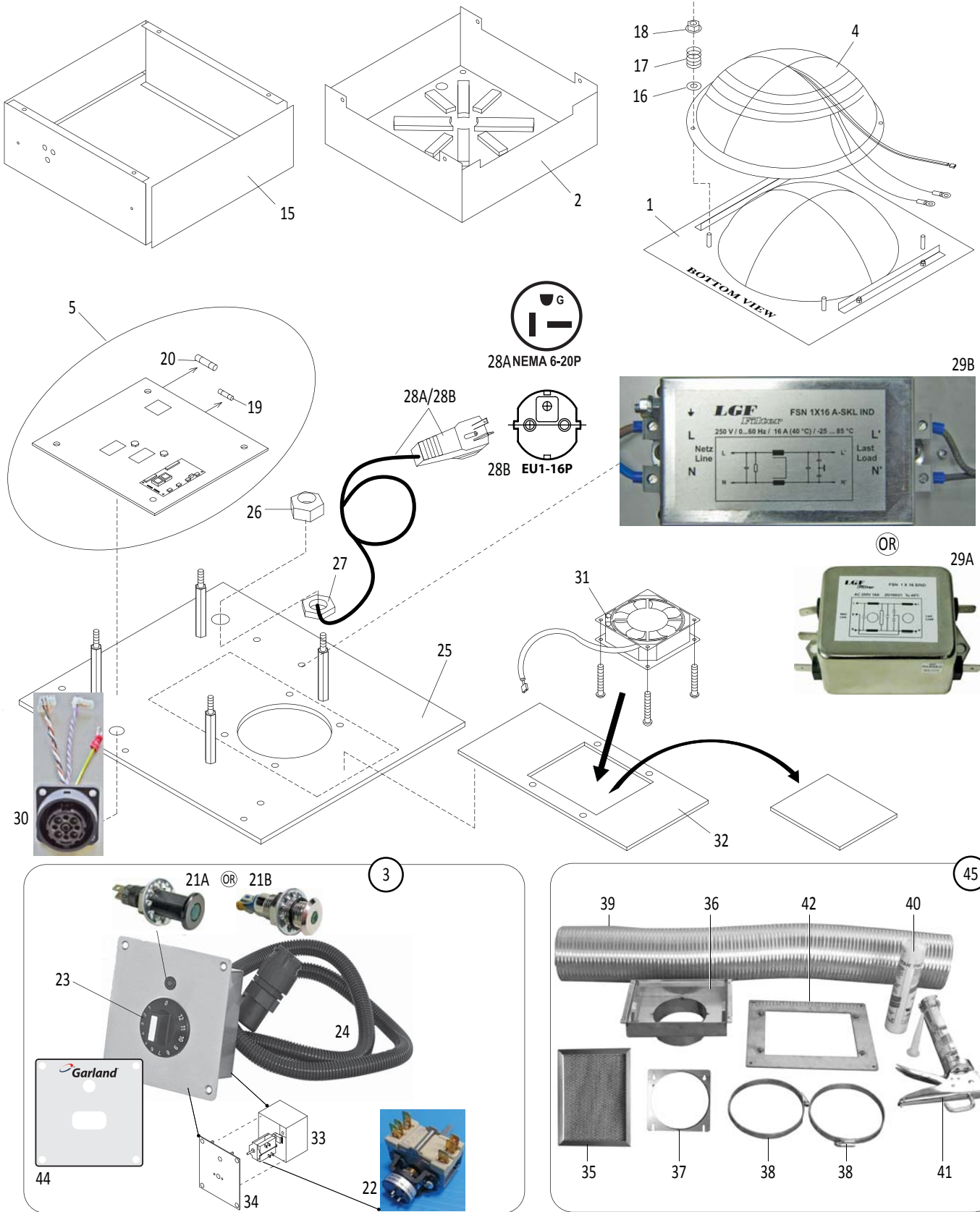
230V: SH/IN 3500, 3.5kW 15A 50Hz 1Phase, Article No. 99580005

240V: SH/IN 3500, 3.5kW 14A 60Hz 1Phase, Article No. 99580006

ITEM	PART #	DESCRIPTION	208V	230V	240V	R C ⁽¹⁾
1	98300021	Ceran Glass Top SH/IN Assembly (Includes items 10, 11 & 12)	1	1	1	
3	94030004	Control Assembly, 1m Cable	1	1	1	
4	93003080	Induction Coil #3.08 includes CU Sensors NOTICE MUST RESET ALL PARAMETERS with an IR adapter tool (P/N 98990001, see Repair Accessories). Refer to service manual for instructions.	1	1	1	R C
+	98021740	Kit, Power Board 208V, 1N,3.5KW SH/BA. Kit includes a short circuit plug and instructions to set board parameters. (was 98021721)	1	-	-	R C
+	98021765	Kit, Power Board ET/ 1217,240V, 1N,3.5KW SH/BA. Kit includes a short circuit plug and instructions to set board parameters. (was 98021721)	-	-	1	R C
+	98021750	Kit, Power Board 3.5kW, 230VAC, 1N, SH/BA. Kit includes a short circuit plug and instructions to set board parameters. (was 98021703)	-	1	-	R C
^ *	72291131	Protective Sheet (no longer required on power board, item 5)				
9	94040050	CU1/CU2 Sensors NOTICE: Ensure to initialize with a short circuit plug (P/N 94900096, see Repair Accessories). Refer to service manual for instructions.	1	1	1	R C
10	77322001	Ceran Glass 320 x 320 x 4mm (or use item 1)	1	1	1	R C
11	70000002	Silicone Gasket 305 x 6 x 4mm (for glass installation)	4	4	4	R C
12	72211032	Mounting Frame (Ceran Glass not included)	1	1	1	
13	72146350	Front Sheet SH/IN	1	1	1	
14	72144570	Coil Carrier SH/IN	1	1	1	
15	60595006	Screw M5 x 10mm (was 60595004 M5 x 12mm)	4	4	4	
16	65840001	Coil Pin M5 x 23mm	4	4	4	
17	73000002	Compression Spring 1.1 x 13 x 45.7	4	4	4	
18	60595006	Screw M5 x 10mm (was 60528501, Plastic Screw M5x8mm)	4	4	4	
19	34110019	Fuse T1.0A	1	1	1	R C
20	34120159	Fuse SUT 15amp 250v 6.3x32	2	2	2	R C
21A	35624001	LED 24V Green, Black Housing (NOT interchangeable with item 21B)	1	1	1	R
21B	35624009	LED 24V Green, Chrome (NOT interchangeable with item 21A)	1	1	1	R
22	94010001	Control Switch with Potentiometer, 2-Pol, no Cable	1	1	1	R C
23	39400001	Plastic Knob 0-12	1	1	1	R
24	94030014	Harness Main Control, 1-meter long	1	1	1	
25	72144510	Bottom Sheet SH/IN	1	1	1	
26	39500009	Screwed Cable Gland PG 16	1	1	1	
27	39500003	Screw Nut PG 16	1	1	1	
28A	38614035	Mains Cable with Plug USA Typ NEMA 6-20P	1	-	1	R C
28B	38615030	Mains Cable with Plug EU 1-16P	-	1	-	R C
29A	39311602	Mains Line Filter 16A Note: 208V - Used UP TO serial# IN04.00026.0510 240V - Used UP TO serial# IN06.00005.0311	1	-	1	
		Mains Line Filter 16A	-	1	-	
29B	39311603	Mains Line Filter 16A Note: 208V - Used FROM serial# IN04.00027.0510 Note: 240V - Used FROM serial# IN06.00006.0311	1	-	1	
		NOTICE Line Filters 29A and 29B are NOT interchangeable. When ordering for a replacement part, ensure you check both the serial# and the type of filter installed in your unit.				
30	94900077	Female Plug with Cable	1	1	1	
31	94090002	Axial Fan	1	1	1	R C
32	72291120	Heat Sink Pad 215x98x5 mm NOTICE Discard the center piece for fan ventilation.	1	1	1	
33	72282180	Connector Box Switch - S/S	1	1	1	
	72261070	Connector Box Switch - Plastic	1	1	1	
34	72244100	Front Panel (with NO Guard)	1	1	1	
35	71000003	Air Intake Filter (Grease Filter) 200x 150x 12mm	1	1	1	R
36	72183091	Grease Filter Holder	1	1	1	
37	72263020	Air Duct Flange	1	1	1	
38	76000002	Duct Clamp	2	2	2	
39	76000001	Air Duct Aluminum	1	1	1	
40	70000015	Silicone Glue PACTAN 7076 (for glass installation)	1	1	1	
41	76000003	Caulking Gun - Silicone Glue (for glass installation)	1	1	1	
42	72204090	Front plate for Grease Filter	1	1	1	
44	66000067	Overlay - Install-Line (NO Protective Guards)	1	1	1	
45	95000021	Air Intake Kit, single hob/wok (compulsory for built-in line unit)	1	1	1	

^ Revised | + New | * Not Illustrated | ⁽¹⁾ R=Recommended Stock Part / C=Critical Part

Built-In Line Wok SH/WO/IN 3500



Induction RTCS Built-In Line Wok, 3.5kW

208V: SH/WO/IN 3500, 3.5kW 16A 50Hz 1Phase, Article No. 99580016

230V: SH/WO/IN 3500, 3.5kW 15A 50Hz 1Phase, Article No. 99580017

240V: SH/WO/IN 3500, 3.5kW 14A 60Hz 1Phase, Article No. 99580018

Item	Part Number	Description	208V	230V	240V	RC ⁽¹⁾
1	98300112	Ceran Wok Top Assembly (Includes Wok Bowl)	1	1	1	
2	95141221	Trough with Ferrite for Install Wok Line	1	1	1	
3	94030004	Main Control Assembly (NO Knob Protection Guards). Cable 1 meter. (Includes items 21- 24, 33 - 34, 44)	1	1	1	
4	93203070	Induction Wok Coil #203.07 includes Sensor & Carrier (4 Sides Cut) Can use to replace 93203011 , difference in carrier only.	1	1	1	RC
+	5	98021744 Power Board WOK SH/WO, 208VAC, 1N, 3.5kW, pre-programmed with voltage specific parameters. (was 98021722-208V)	1	-	-	RC
+		98021755 Power Board WOK SH/WO, 230VAC, 1N, 3.5kW, pre-programmed with voltage specific parameters. (was 98021704 w/ no parameters)	-	1	-	RC
+		98021769 Power Board WOK SH/WO, 240VAC, 1N, 3.5kW, pre-programmed with voltage specific parameters. (was 98021722-240V)	-	-	1	RC
^ *	6	72291131 Protective Sheet (no longer required on power board, item 5)				
	15	72146350 Front Sheet SH/IN	1	1	1	
	16	60056702 Washer (No longer required; used in units built before May, 2006 / serial# INXX.XXXXX.0506)	4	4	4	
	17	73000004 Compression Spring	4	4	4	
	18	60678301 Nut	4	4	4	
	19	34110019 Fuse T1.0A	1	1	1	RC
	20	34120159 Fuse SUT 15amp 250v 6.3x32	2	2	2	RC
	21A	35624001 Front Indicator Lamp 24V LED Green - Black Housing Note: NOT interchangeable with item 21B.	1	1	1	R
	21B	35624009 Front Indicator Lamp 24V LED Green - Chrome Housing Note: NOT interchangeable with item 21A.	1	1	1	R
	22	94010001 Control Switch with Potentiometer, 2-Pol, no Cable	1	1	1	RC
	23	39400001 Plastic Knob (0-12)	1	1	1	R
	24	94030014 Harness Main Control, 1-meter	1	1	1	
	25	72144510 Bottom Sheet SH/IN	1	1	1	
	26	39500009 Screwed Cable Gland PG 16	1	1	1	
	27	39500003 Screw Nut PG 16	1	1	1	
	28A	38614035 Mains Cable with Plug USA Typ NEMA 6-20P	1		1	RC
	28B	38615030 Mains Cable with Plug EU 1-16P		1		RC
	29A	39311602 Mains Line Filter 16A Mains Line Filter 16A Note: Used UP TO serial# IN18.00006.0410	1	1	1	
		39311603 Mains Line Filter 16A Note: Used FROM serial# IN18.00007.0410				
	29B	39311603 Mains Line Filter 16A Note: Used FROM serial# IN18.00007.0410	1		1	
	30	94900077 Female Plug with Cables		1	1	
	31	94090002 Axial Fan (SH/IN Models)	1	1	1	RC
	32	72291120 Heat Sink Pad 215x 98x 5mm NOTICE: Discard the center piece of the Heat Sink Pad for fan ventilation.	1	1	1	
	33	72282180 Connector Box Switch - S/S	1	1	1	
		72261070 Connector Box Switch - Plastic	1	1	1	
	34	72244100 Front Panel (NO Knob Protection Guards)	1	1	1	
	35	71000003 Air Intake Filter 200x 150x 12mm	1	1	1	R
	36	72183091 Grease Filter Holder	1	1	1	
	37	72263020 Air Conductor Holder (single Hob model)	1	1	1	
	38	76000002 Hose Clamp	2	2	2	
	39	76000001 Air Conductor Aluminum	1	1	1	
	40	70000015 Silicone Glue PACTAN 7076	1	1	1	
	41	76000003 Caulking Gun - Silicone Glue	1	1	1	
	42	72204090 Front plate for Grease Filter	1	1	1	
	44	66000067 Garland Label/Overlay - Install-Line (NO Protective Guards)	1	1	1	
	45	95000021 Air Intake Kit, single hob/wok (compulsory for built-in line unit)	1	1	1	

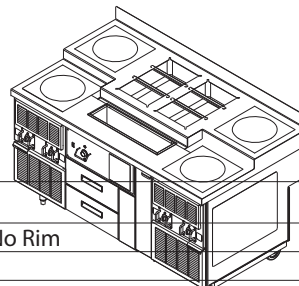
^ Revised | + New | * Not Illustrated | ⁽¹⁾ R=Recommended Stock Part / C=Critical Part

Induction RTCS Built-In Line Wok, 3.5kW for Pasta Station

model SH/WO/IN 3500, 3.5kW 208V 50/60Hz

Article No. 99580016

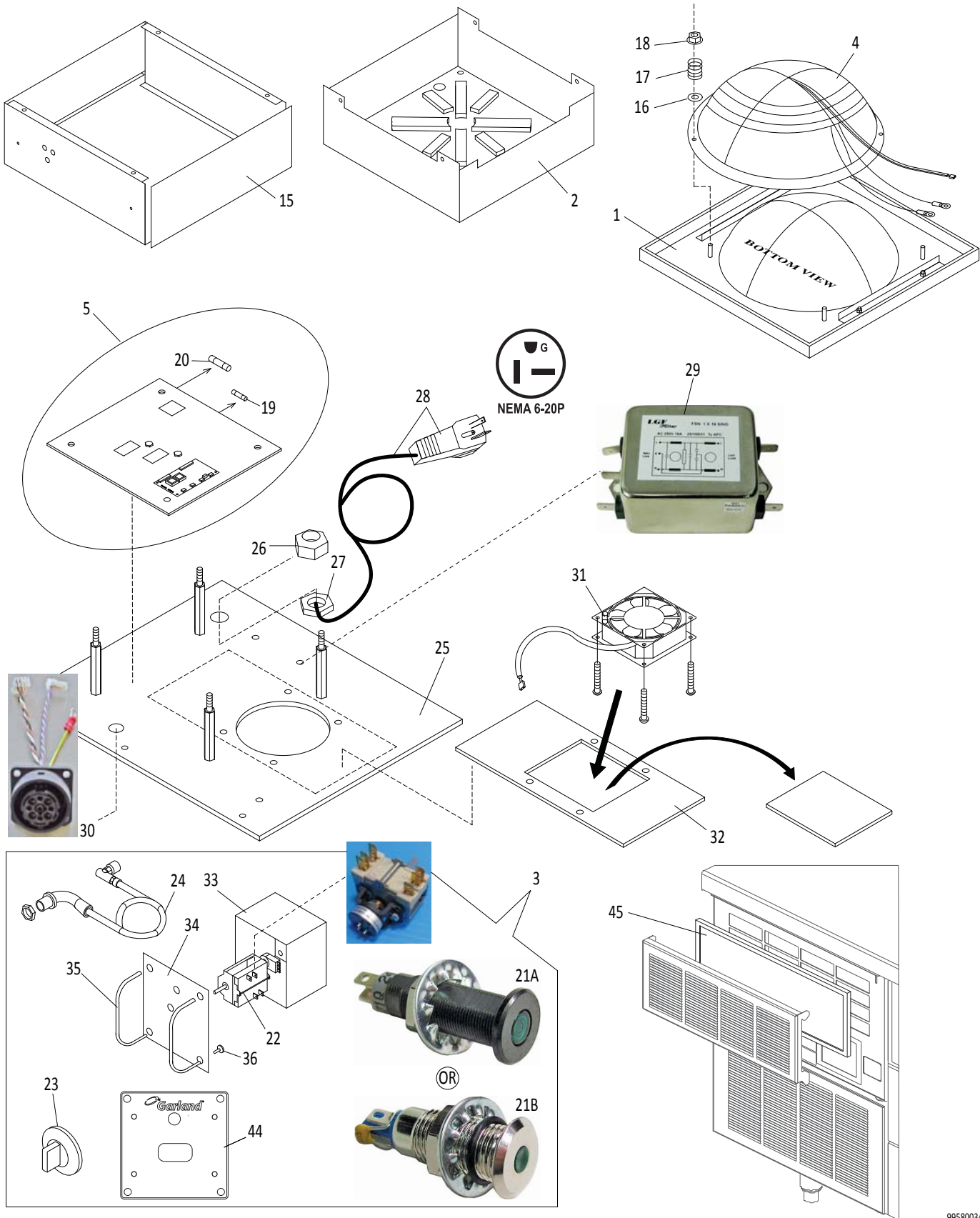
in F18MR68R-BP (DIPS68") Pasta Station



ITEM	PART #	DESCRIPTION	Qty	RC ⁽¹⁾
1	98300112	Ceran Wok Top Assembly (Includes Wok Bowl) - Flat, SS, No Rim	1	
2	95141221	Trough with Ferrite for Install Wok Line	1	
3	94030050	Main Control Assembly with Protection Guards, Amphenol Cable 1-meter, with Overlay (Includes items 21 - 24, 33 - 36, 44A)		
	94030051	Main Control Assembly with Protection Guards, Amphenol Cable 1.8-meter, no Overlay (Includes items 21 - 24, 33 - 36)		
	94030004	Main Control Assembly with NO Protection Guards (Incl. items 21 - 24, 33, 34, 44B)		
4	93203070	Induction Wok Coil #203.07 includes Sensor & Carrier (4 Sides Cut)	1	RC
+	5	98021744 Power Board WOK 3.5kW. Pre-programmed with voltage specific parameters. Was 98021722-208V .	1	RC
^ *	6	72291131 Protective Sheet (no longer required on power board, item 5)		
	15	72146350 Front Sheet SH/IN	1	
	16	60056702 Washer (No longer required; used in units built before May, 2006 / serial# INXX.XXXXX.0506)	4	
	17	73000004 Compression Spring	4	
	18	60678301 Nut	4	
	19	34110019 Fuse T1.0A	1	RC
	20	34120159 Fuse SUT 15amp 250v 6.3x32	2	RC
	21A	35624001 LED 24V Green - Black Housing (NOT interchangeable with item 21B)	1	R
	21B	35624009 LED 24V Green - Chrome Housing (NOT interchangeable with item 21A)	1	R
	22	94010001 Control Switch 2 Pole with Potentiometer	1	RC
	23	39400001 Plastic Knob with Dial 0-12	1	R
	24	94030014 Harness Main Control, 1-meter		
		94030015 Harness Main Control, 2.5-meter		
	25	72144510 Bottom Sheet SH/IN	1	
	26	39500009 Screwed Cable Gland PG 16	1	
	27	39500003 Screw Nut PG 16	1	
	28	38614035 Mains Cable with Plug USA Typ NEMA 6-20P	1	RC
	29A	39311602 Mains Line Filter 16A Note: Used UP TO serial# IN16.00937.0711	1	NOTICE Line Filters 29A and 29B are NOT interchangeable. When ordering for a replacement part, ensure you check both the serial# and the type of filter used in your unit.
	29B	39311603 Mains Line Filter 16A Note: Used FROM serial# IN16.00938.1111	1	
	30	94900077 Female Plug with Cables	1	
	31	94090002 Axial Fan (SH/IN Models)	1	RC
	32	72291120 Heat Sink Pad 215 x 98 x 5 mm NOTICE Discard the center piece of the Heat Sink Pad for fan ventilation.	1	
	33	72282180 Connector Box Switch - S/S	1	
		72261070 Connector Box Switch - Plastic	1	
	34	72300070 Front Panel (WITH Protective Guards)	1	
		72244100 Front Panel (NO Protective Guards)	1	
	35	71000030 Protection Guards	2	
	36	60333302 Mounting Screws for Protective Guards	4	
	37	72263020 Air Duct Holder (single Hob Model)	1	
	38	76000002 Clamp	2	
	39	76000001 Air Duct Aluminum	1	
	40	70000015 Silicone Glue PACTAN 7076	1	
	41	76000003 Caulking Gun - Silicone Glue	1	
	42	71000003 Air Intake Filter 200x 150x 12mm	1	R
	43	72183091 Grease Filter Holder	1	
	44A	66000068 Label/Overlay - Install-Line (WITH Protective Guards)	1	
	44B	66000067 Label/Overlay - Install-Line (NO Protective Guards)	1	
	45	BPP00033 Filter for Paster Station - 6 1/8" x 7"	2	
	46	95000021 Air Intake Kit, single hob/wok (compulsory for built-in line unit)		
	47	72204090 Front plate for Grease Filter	1	

^ Revised | + New | * Not Illustrated | ⁽¹⁾ R=Recommended Stock Part / C=Critical Part

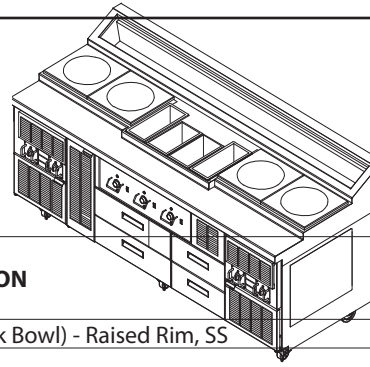
Built-In Line Wok SH/WO/IN 3500 for Pasta Station F18RC93-BPL (DIPS93")



99580034

Induction RTCS Built-In Line Wok, 3.5kW for Pasta Station

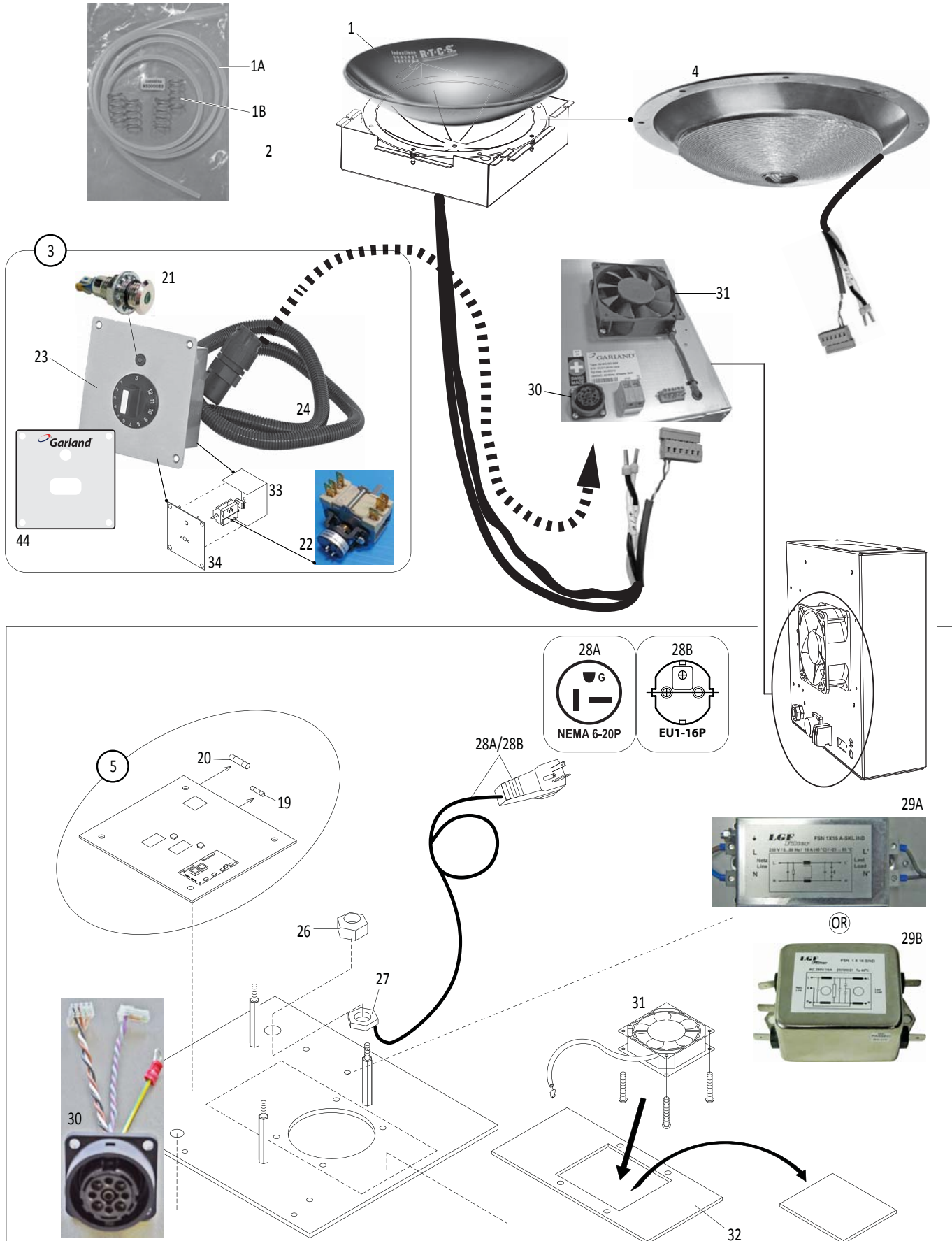
model SH/WO/IN 3500, 3.5kW 208V 50/60Hz
Article No. 99580034
in F18RC93-BPL (DIPS93") Pasta Station



ITEM	PART #	DESCRIPTION	QTY	RC ⁽¹⁾
1	98300118	Ceran Wok Flange Top Assembly (Includes Wok Bowl) - Raised Rim, SS	1	
2	95141221	Trough with Ferrite for Install Wok Line	1	
3	94030050	Main Control Assembly with Protection Guards, Amphenol Cable 1-meter, with Overlay (Includes items 21 - 24, 33 - 36, 44)		
	94030051	Main Control Assembly with Protection Guards, Amphenol Cable 1.8-meter, no Overlay (Includes items 21 - 24, 33 - 36)		
4	93203070	Induction Wok Coil #203.07 includes Sensor & Carrier (4 Sides Cut)	1	RC
+	5	98021744 Power Board WOK 3.5kW. Pre-programmed with voltage specific parameters. Was 98021722-208V .	1	RC
^ *	6	72291131 Protective Sheet (no longer required on power board, item 5)		
15	72146350	Front Sheet SH/IN	1	
16	60056702	Washer (No longer required; used in units built before May, 2006 / serial# INXX. XXXXX.0506)	4	
17	73000004	Compression Spring	4	
18	60678301	Nut	4	
19	34110019	Fuse T1.0A	1	RC
20	34120159	Fuse SUT 15amp 250v 6.3x32	2	RC
21A	35624001	Front Indicator Lamp 24V LED Green - Black Housing NOTE: NOT interchangeable with item 21B.	1	R
21B	35624009	Front Indicator Lamp 24V LED Green - Chrome Housing NOTE: NOT interchangeable with item 21A.	1	R
22	94010001	Control Switch 2 Pole with Potentiometer, without cable	1	RC
23	39400001	Plastic Knob with Dial 0-12	1	R
24	94030014	Harness Main Control, 1-meter		
	94030015	Harness Main Control, 2.5-meter		
25	72144510	Bottom Sheet SH/IN	1	
26	39500009	Screwed Cable Gland PG 16	1	
27	39500003	Screw Nut PG 16	1	
28	38614035	Mains Cable with Plug USA Typ NEMA 6-20P	1	RC
29	39311602	Mains Line Filter 16A	1	
30	94900077	Female Plug with Cables	1	
31	94090002	Axial Fan (SH/IN Models)	1	RC
32	72291120	Heat Sink Pad 215 x 98 x 5 mm NOTICE Discard the center piece of the Heat Sink Pad for fan ventilation.	1	
33	72282180	Connector Box Switch - S/S	1	
	72261070	Connector Box Switch - Plastic	1	
34	72300070	Front Panel (WITH Protective Guards)	1	
35	71000030	Protection Guards	2	
36	60333302	Mounting Screws for Protective Guards	4	
44	66000068	Label/Overlay - Install-Line (WITH Protective Guards)	1	
45	BPP00033	Filter for Paster Station - 6 1/8" x 7"	2	

^ Revised | + New | * Not Illustrated | ⁽¹⁾ R=Recommended Stock Part / C=Critical Part

Module-Line Wok MO/WO 3500 (IN/MO/WO 3500)




Induction RTCS Module-Line Wok, 3.5kW

model 208V: MO/WO 3500, 3.5kW 50/60Hz 1Phase (Generator IN/MO/WO3500, Article No. 99610024)
 230V: MO/WO 3500, 3.5kW 50/60Hz 1Phase (Generator IN/MO/WO3500, Article No. 99610025)

Item	Description	Part Number	208V	230V	RC ⁽¹⁾
1	Ceran Wok Bowl 306mm/12-inch diameter, 6mm thick	77302001	1	1	RC
1A	Silicone gasket 960x 5x 2 mm, for wok bowl installation	70000004	1	1	RC
1B	Pressure Springs, 1x 10x 17.5mm, for installing wok bowl (item 1) and coil carrier (item 4)	73000004	4	4	
2	Shield plate/box with Ferrite for Install Wok Line	95000050	1	1	
3	Main Control Complete Assembly (NO Knob Gards), Cable Length 2.5-meter/98.43-inch	94030005	1	1	
4	Induction Wok Coil #203.04 With Sensor and Carrier Coil and sensor cable length, 250cm/98.4-inch	93203040	1	1	RC
+	208V Power Module WOK 3.5kW. Pre-programmed with voltage specific parameters. Was 98021722-208V . 230V Power Module WOK 3.5kW. Pre-programmed with voltage specific parameters. Was 98021704 .	98021744	1	-	RC
+		98021755	-	1	RC
^ *	6 Protective Sheet (no longer required on power board, item 5)	72291131			
19	Fuse T1.0A	34110019	1	1	RC
20	Fuse 15amp 250V 6.3x32	34120159	2	2	RC
21	Indicator Lamp 24V LED Green - Chrome	35624009	1	1	R
22	Control Switch with Potentiometer, 2-Pol, no Cable	94010001	1	1	RC
23	Plastic Knob (0-12)	39400001	1	1	R
24	Harness Main Control, Cable 2.5-meter long	94030015	1	1	
26	Screwed Cable Gland PG 16	39500009	1	1	
27	Screw Nut PG 16	39500003	1	1	
28A	Mains Cable with Plug USA NEMA 6-20P	38614035	1	-	RC
28B	Mains Cable with Plug EU	38615030	-	1	
29A	Mains Line Filter 16A 1-Phase	39311603	1	-	
29B	Mains Line Filter 16A 1-Phase	39311602	-	1	
30	Female Plug with Cable	94900077	1	1	
31	Axial Fan (SH/IN Models)	94090002	1	1	RC
32	Heat Sink Pad 215x 98x 5mm NOTICE: Discard the center piece of the Heat Sink Pad for fan ventilation.	72291120	1	1	
33	Connector Box Switch - Plastic	72261070	1	1	
34	Front Panel (NO Protective Guards)	72244100	1	1	
44	Garland Overlay - Install-Line (NO Protective Guards)	66000067	1	1	

^ Revised | + New | * Not Illustrated | ⁽¹⁾ R=Recommended Stock Part / C=Critical Part

Repair Accessories

Photo	Description	Part Number
	<p>IR Adapter Usage: To receive infrared signals from an induction cooker and communicate via a HyperTerminal, or equivalent, on a laptop or other mobile peripherals. Might require additional adapters (not provided).</p>	98990001
	<p>USB- RS232 Adapter Usage: To connect an IR Adapter (98990001) to a computer/device that does not have any RS232 connector.</p>	39800001
	<p>Heat Sink Compound P12. Usage: To mount IGBT or Print/Board onto a Heatsink.</p>	70000020
	<p>Short Circuit (Service) Plug (RTCS only, Not for RTCSmp) Usage: To initialize CU sensors.</p>	94900096
	<p>High Temperature Tape 16mm Usage, for example: To retain PTC(RTC) sensors; to be used as a temporary adhesive; to be used as a high temperature insulator for coil repair.</p>	70000022
	<p>Silicone Glue PACTAN 7076 (for Installation)</p>	70000015
	<p>Wire Punch Down Tool</p>	79000024
	<p>Calibration or Test Plates: Use these plates to calibrate and verify pan detection settings.</p>	
	<p>Calibration Plate, Ø 120mm, with Handle</p>	79000120
	<p>Calibration Plate, Ø 100mm, with Handle</p>	79000100
	<p>Calibration Plate, Ø 90mm, with Handle</p>	79000090
<p>Calibration Plate, Ø 70mm, with Handle</p>	79000070	

Cooking Accessories

Notice

Use Wok Pans with Correct Contour

Garland recommends that the wok pans used be the correct contour to the Ceran glass bowl (Built-In and Module-Line Models). To reduce premature failures such as overheating, wok pans should not touch the glass but only sit onto the upper flange.

To guarantee the correct contour, Garland offers a selection of induction wok pans. Please consult your dealer for details.

Photo	Description	Part Number
	Large Iron Wok with Stainless Steel Round Handle diameter 14.1-inch / 360mm height 5.5-inch / 140mm capacity 2.47-gallon / 9.5-litre	72205015
	Round-Base Wok, Multi-Layer diameter 14.1-inch / 360mm height 3.9-inch / 100mm capacity 1.35-gallon / 5.2-litre	72205016
	Round-Base Wok, Multi-Layer diameter 14.1-inch / 360mm height 5.5-inch / 140mm capacity 2.47-gallon / 9.5-litre	72205020



WELBILT[®]
KITCHENCARE[®]



GARLAND[®]

1-844-724-CARE • 1-844-724-2273

www.mtwkitchencare.com

www.garland-group.com