



SERVICE/PARTS MANUAL

GARLAND FONDANT WARMER MODEL EFW800



FOR YOUR SAFETY:
DO NOT STORE OR USE GASOLINE
OR OTHER FLAMMABLE VAPORS OR
LIQUIDS IN THE VICINITY OF
THIS OR ANY OTHER
APPLIANCE

WARNING:
IMPROPER INSTALLATION, ADJUSTMENT,
ALTERATION, SERVICE OR MAINTENANCE
CAN CAUSE PROPERTY DAMAGE, INJURY,
OR DEATH. READ THE INSTALLATION,
OPERATING AND MAINTENANCE
INSTRUCTIONS THOROUGHLY
BEFORE INSTALLING OR
SERVICING THIS EQUIPMENT

PLEASE READ ALL SECTIONS OF THIS MANUAL
AND RETAIN FOR FUTURE REFERENCE.

THIS PRODUCT HAS BEEN CERTIFIED AS
COMMERCIAL COOKING EQUIPMENT AND
MUST BE INSTALLED BY PROFESSIONAL
PERSONNEL AS SPECIFIED.

INSTALLATION AND ELECTRICAL CONNECTION
MUST COMPLY WITH CURRENT CODES:
IN CANADA - THE CANADIAN ELECTRICAL
CODE PART 1 AND / OR LOCAL CODES.
IN USA - THE NATIONAL ELECTRICAL CODE
ANSI / NFPA - CURRENT EDITION.

ENSURE ELECTRICAL SUPPLY CONFORMS WITH
ELECTRICAL CHARACTERISTICS SHOWN ON
THE RATING PLATE.

Users are cautioned that maintenance and repairs must be performed by a Garland authorized service agent using genuine Garland replacement parts. Garland will have no obligation with respect to any product that has been improperly installed, adjusted, operated or not maintained in accordance with national and local codes or installation instructions provided with the product, or any product that has its serial number defaced, obliterated or removed, or which has been modified or repaired using unauthorized parts or by unauthorized service agents. For a list of authorized service agents, please refer to the Garland web site at <http://www.garland-group.com>. The information contained herein, (including design and parts specifications), may be superseded and is subject to change without notice.

GARLAND COMMERCIAL RANGES LTD.
1177 Kamato Road, Mississauga, Ontario
L4W 1X4 CANADA
Phone: 905-624-0260
Fax: 905-624-5669



IMPORTANT INFORMATION

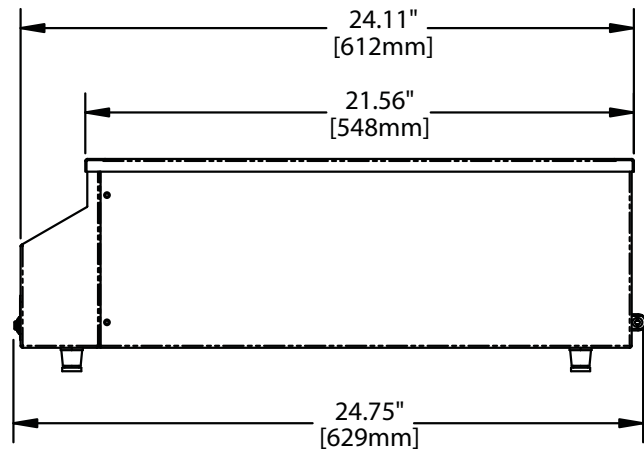
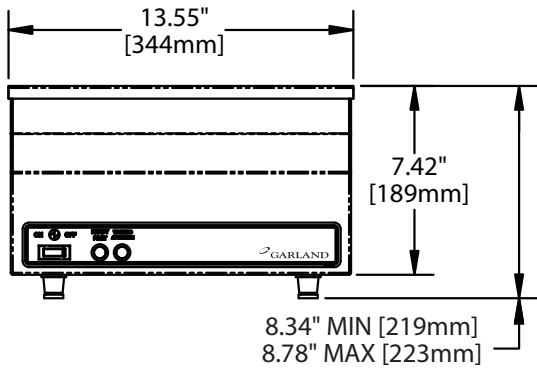
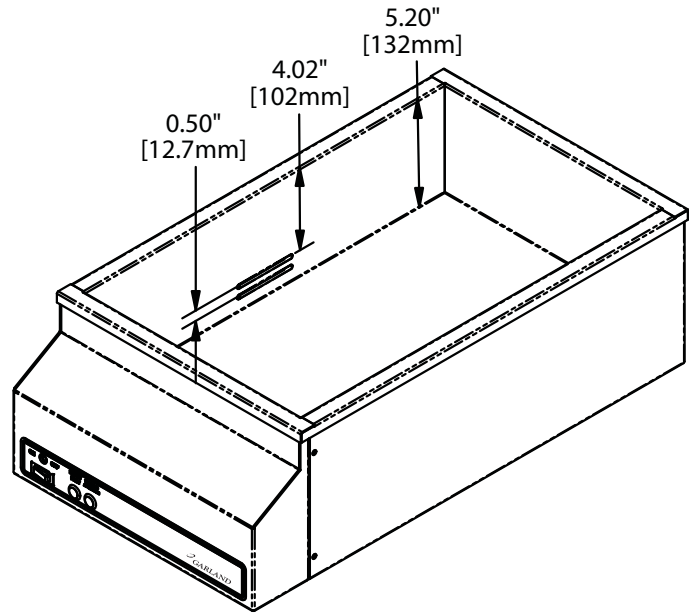
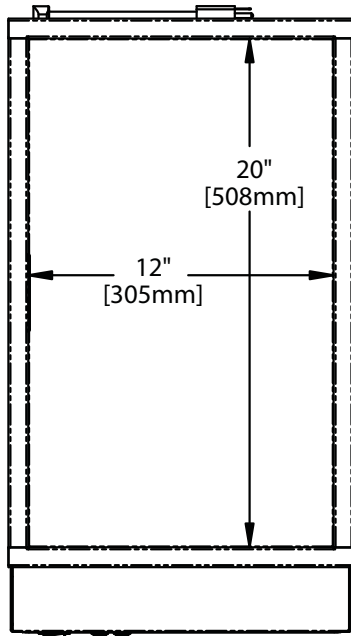
WARNING:

This product contains chemicals known to the state of California to cause cancer and/or birth defects or other reproductive harm. Installation and servicing of this product could expose you to airborne particles of glass wool/ceramic fibers. Inhalation of airborne particles of glass wool/ceramic fibers is known to the state of California to cause cancer.

TABLE OF CONTENTS

| | | | |
|--|-----------|---------------------------------------|-----------|
| IMPORTANT INFORMATION..... | 2 | PARTS REPLACEMENT | 11 |
| DIMENSIONS AND SPECIFICATIONS | 4 | To Access Components..... | 11 |
| GENERAL INFORMATION | 5 | Heater..... | 11 |
| Serial Plate Location..... | 5 | High Limit Thermostat | 11 |
| Safety | 5 | Power Supply..... | 12 |
| Wall Clearances | 5 | Control..... | 12 |
| Electrical Rating..... | 5 | Thermistor Sensor | 12 |
| OPERATING INSTRUCTIONS..... | 6 | UPDATING PROGRAMS | 13 |
| Operating Procedure..... | 6 | MAINTENANCE AND CLEANING | 13 |
| Indicators..... | 6 | WIRING DIAGRAM | 15 |
| SEQUENCE OF OPERATION | 7 | EFW800 PARTS BREAKDOWN | 16 |
| TROUBLESHOOTING | 8 | EFW800 PARTS LIST | 17 |
| SERVICING..... | 9 | | |
| Introduction..... | 9 | | |
| System Block Diagram | 9 | | |
| Service Procedure..... | 9 | | |
| Visual Inspection | 9 | | |
| System Checks | 9 | | |
| SENSOR DATA | 10 | | |
| Temperature - Resistance/Voltage Table | 10 | | |
| Sensor Diagnostic Procedure | 11 | | |

DIMENSIONS AND SPECIFICATIONS



| Voltage | Phase | kW | Nominal Amperes | Connection Type |
|---------|-------|-----|-----------------|---------------------------|
| 120 | 1 | .80 | 6.7 | 6' cord w/NEMA 5-15P plug |

| Clearances | | | | Shipping Weight |
|--------------|------|------------------|-------------------|-------------------|
| Installation | | Entry | | |
| Sides | Rear | Crated | Uncrated | |
| 0" | 0" | 15.8" (401mm) | 13.55" (344mm) | 29 lb (13.2kg) |

GENERAL INFORMATION

Users are cautioned that maintenance and repairs should be performed by a Garland authorized service agent using genuine Garland replacement parts. Garland will have no obligation with respect to any product that has been improperly installed, adjusted, operated or not maintained in accordance with national and local codes or installation instructions provided with the product, or any product that has its serial number defaced, obliterated or removed, or which has been modified or repaired using an authorized parts or by unauthorized service agents. For a list of authorized service agents, please refer to the Garland web site at www.garland-group.com or www.garlandcanada.ca. The information contained herein (including design and parts specifications) may be superseded and is subject to change without notice.

It is essential that the instructions in this manual be strictly followed for the safe and economical operation of this equipment. If it is known or suspected that a fault exists on an appliance the appliance must not be used until a competent person has rectified the fault. Service personnel should refer to the service manual supplied with the appliance.

Serial Plate Location

Electrical rating is shown on the serial plate and is readily visible on the rear of the unit next to the power supply cord inlet.

Safety

- A qualified person must make the installation in accordance with the authority having jurisdiction and local codes.
- This unit must only be operated by a qualified person. DO NOT operate without reading this manual.

- DO NOT operate this appliance unless all service and access panels are in place and fastened properly.
- DO NOT attempt to repair or replace any part of this appliance unless all main power supplies have been disconnected.
- DO NOT clean this appliance unless the power supply is disconnected.
- DO NOT immerse appliance in water.

WARNING:

To avoid serious personal injury:

- USE EXTREME CAUTION when setting up, operating and cleaning these appliances to avoid coming into contact with hot surfaces. Suitable protective clothing should be worn or proper utensils should be used to prevent the risk of burns.
- NOTE all warning labels and markings on this appliance, which call attention to further dangers and necessary precautions.

Wall Clearances

| | |
|--------|---|
| Back: | 0 |
| Sides: | 0 |

Electrical Rating

| Voltage | Power | Current | Power Inlet |
|-----------------|--------------|-------------|---------------|
| 120VAC, 60HZ | 800 Watts | 6.7 Amps | NEMA 5-15P |

OPERATING INSTRUCTIONS

This appliance requires water in the tank for even heating. Before first use it is recommended that the inside of the tank be cleaned with a detergent soaked cloth, to remove fabricating and protective oils. Rinse with clean water and dry with a clean cloth.

The EFW800 is a full size 12" x 20" (305mm x 508mm) capacity fondant warmer. It is designed to maintain fondant temperature at 115 °F (46 °C). To achieve this, the appliance heats a water bath slightly higher than the required fondant temperature.

Operating Procedure

1. Fill the tank with water so that the level is between the minimum and maximum embossed lines on the inside wall of the tank.
2. Insert pans with a maximum depth not exceeding 4" (102mm).
3. Plug appliance into electrical outlet.
4. Turn on the appliance by pressing the switch marked ON – OFF in the ON position.
5. **Lamp Test: After the control has initialized, the amber WARNING indicator will illuminate for 10 seconds. This lets the operator know the lamp is functioning.**
6. The appliance will initially heat the bath of water to a temperature of 145°F (63°C), then maintain it at 122°F, ±3 °F (50°C, ±2 °C). Temperatures are measured with a lid or pans in covering the tank.



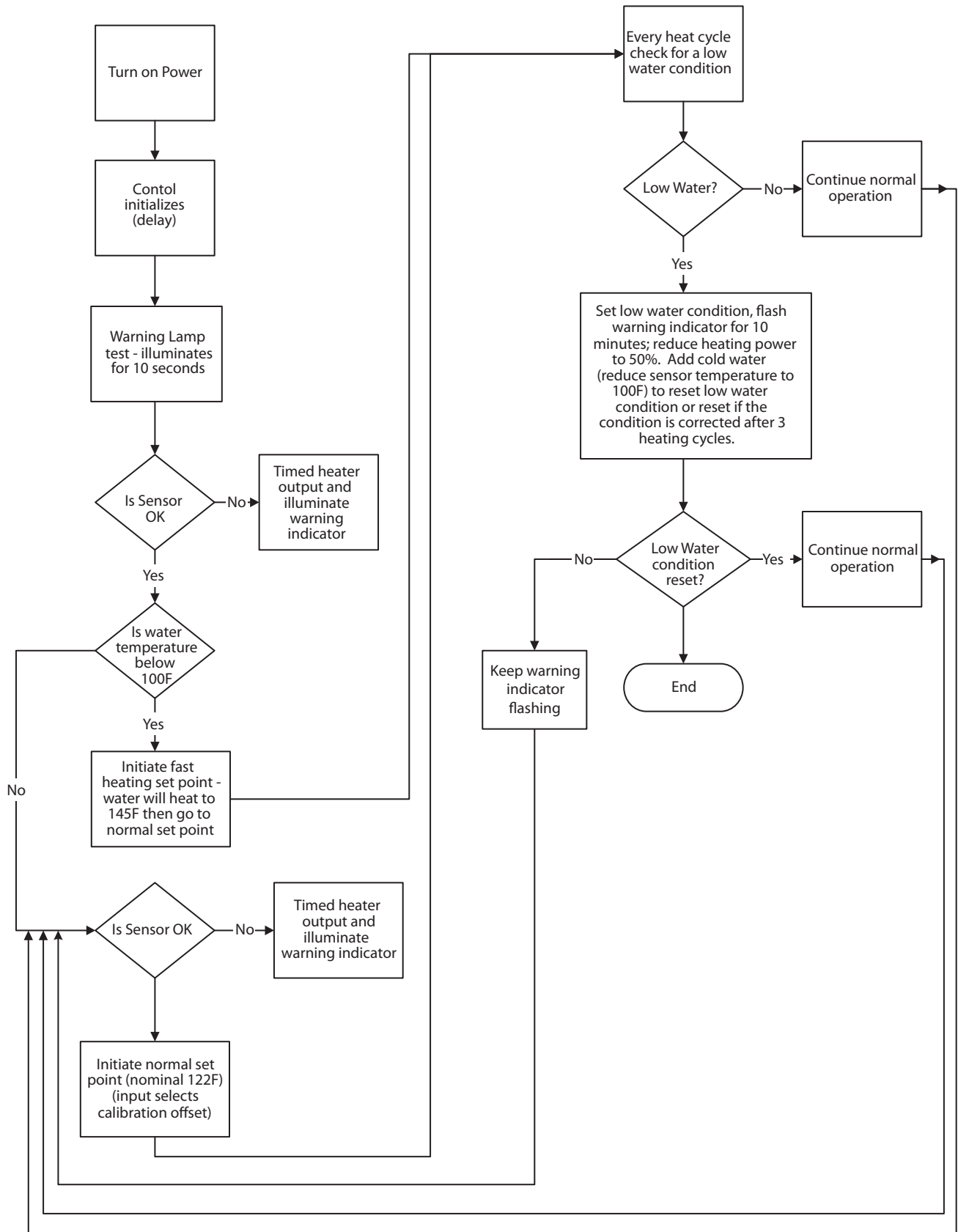
Indicators

1. The power switch is illuminated when the switch is in the ON position and power is applied to the appliance.
2. The green READY lamp indicates the water bath has reached its normal operating temperature. Fresh cold fondant may take longer to heat. See the section Fondant Heating Hints for more details in the Operating Manual 4521055.
3. The amber WARNING lamp has multiple functions. A flashing WARNING lamp indicates a low water condition. If the amber lamp is illuminated continuously it indicates a temperature sensor failure and service personnel should be contacted.

NOTE: Periodic checks should be made during operation to ensure that the water level does not fall below the lower embossed line. Should it do so, top up with fresh **cold** water. We recommend cleaning the tank and filling with clean cold water to the embossed line after a low water condition.

IMPORTANT: After a low water condition, fill with cold water. Only cold water will reset the flashing lamp. Adding hot water will not reset the low water condition immediately. The lamp will continue to flash if the water temperature does not drop below 100°F (38°C).

SEQUENCE OF OPERATION



TROUBLESHOOTING

| DESCRIPTION OF PROBLEM | POSSIBLE CAUSE | WHAT TO DO |
|---|---|---|
| Warning indicator lamp is flashing. | Water in tank is low. | Fill with cold water. |
| Warning indicator lamp flashes after filling with water. | The water was not cold enough to reset the low water condition. | The lamp will automatically turn off in 10 minutes. Replacing the water in the tank with cold water will reset the low water condition immediately. |
| Warning indicator lamp is on continuously and water temperature is high. | Sensor could be shorted or the temperature abnormally high. | Is water bath above 180°F (82°C)? Yes, sensor may be shorted or control relay shorted. Is water bath above 150°F (65°C) but below 180°F (82°C)? Sensor or circuit out of calibration. Check sensor resistance, check control output relay for shorts. Replace sensor or control if necessary. |
| Warning indicator lamp is on continuously, temperature is normal. | Sensor could be open or shorted but the control is functioning in a timed heating cycle mode. | Check sensor resistance and replace if necessary. |
| Water temperature and fondant temperature is high by 2 to 4°F (1 to 2.5°C). | Calibration adjustment is required. | Verify power supply is adjusted to 12.0V DC. Moving jumper may not be necessary. Moving the calibration jumper from input terminal I5 to I4 reduces the temperature by 4°F (2.5°C) or to I3 reduces the temperature by 2°F (1°C). |
| Water temperature and fondant temperature is low by 2 to 4°F (1 to 2.5°C). | Calibration adjustment is required. | Verify power supply is adjusted to 12.0V DC. Moving jumper may not be necessary. Moving the calibration jumper from input terminal I5 to I1 increases the temperature by 2°F (1°C) or to I2 increases the temperature by 4°F (2.5°C). |
| Heaters are not heating. No indicators come on. | Red light on controller. | Replace controller. |
| | No lights on power supply. | Replace power supply. |
| Green indicator does not illuminate but unit works properly. | Indicator lamp is defective. | Replace lamp. |
| | Control relay is defective. | Replace controller. |
| Amber warning indicator does not illuminate for 10 seconds at power up. | Indicator lamp is defective. | Replace lamp. |
| | Control relay is defective. | Replace controller. |

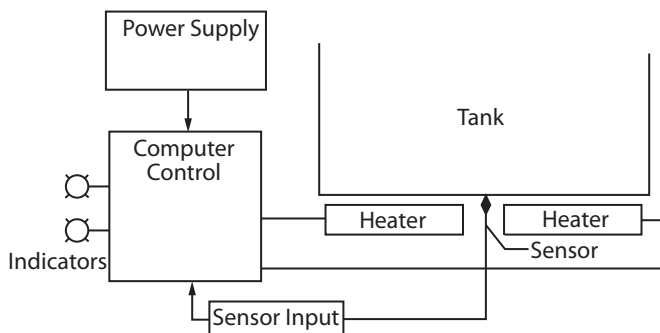
SERVICING

Introduction

Although this appliance has only an on-off switch and two indicating lamps there is a computerized control to provide accurate temperature control, fault diagnostics and low water detection. In most cases of component failure the control is designed to allow the appliance to continue operating in a service mode. It is important to understand the operation of the control and how it reacts to faults in order to properly diagnose and correct faults.

In order to maintain the safety and accuracy of the appliance it is also important to closely follow the parts replacement procedures and inspection guidelines. For safety and optimum performance use only parts obtained through Garland or an authorized service agency.

System Block Diagram



Service Procedure

When performing any service operations on this equipment it is important to perform the following inspections to maintain the performance and safety of the appliance.

Visual Inspection

1. Unplug the unit.
2. Drain the liquid from the tank.
3. Turn the unit over and remove the bottom.
4. Examine the insulation. It should not be moist or wet. Wet insulation could indicate the unit has been immersed in water. Assess any potential damage.

5. Remove the bottom insulation. Examine the silicon heaters. There should be no staining or delamination from the tank.
6. Examine the high limit thermostats and the position of the high limit bracket. The bracket is positioned so both limit thermostats are over the heaters. There should be no gap between the bracket and the heater. If there is, remove the bracket and bend it slightly so it makes contact with the heaters.
7. Look for any loose or damaged wiring.
8. Check fuse FS1.

System Checks

Check the Following in Powered State.

Warning: before applying power make sure the components are located in a safe manner. Always perform the visual inspection described above before applying power. Do not apply power if there is any damage to heaters, wiring or any components that might compromise safety.

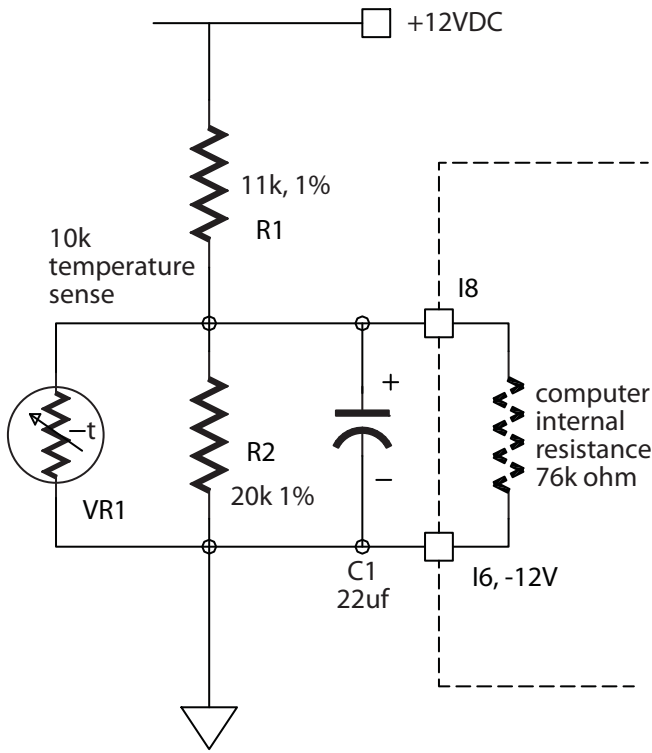
The front control section can be removed from the body by removing the 4 screws on the sides and loosening the 2 nuts that attach the front section to the tank.

- Check for a green indicator on the power supply. If there is no indicator on, check input voltage to the power supply. If there is 120V AC present at the input terminals and no output the power supply must be replaced. There are no serviceable components in the power supply.
- Check the output of the power supply. It should be 12.0V DC \pm 0.1V DC. There is a voltage adjustment potentiometer next to the green indicator. If the power supply cannot be adjusted to 12.0V DC \pm 0.1V DC, it could indicate there is a problem either with the power supply or the load attached to it (the controller or sensing circuit). Typically if a voltage regulator is defective the voltage error will be greater than 2 volts.
- Check the voltage between 12 volt – terminal and the load side of fuse FS1. 12 volts should be present.
- Check the indicator lamp on the electronic control. In normal conditions it will be green. If it appears red the control has malfunctioned. If the indicator is red the control must be replaced.

SENSOR DATA

The sensor used on the model is an NTC (negative temperature coefficient) thermistor. This is a sensor whose resistance decreases with an increase in temperature.

The sensing circuit is arranged as a voltage divider circuit shown below. The data chart shows the thermistor resistance out of the circuit, in the circuit and voltage measured at the input if the circuit is energized versus temperature.



Temperature - Resistance/Voltage Table

| Temperature - Resistance/Voltage | | | | |
|----------------------------------|-----|---------------------------|-----------------------|------------------------------|
| Temperature | | Resistance Out Of Circuit | In-Circuit Resistance | Voltage In Circuit (I8 to -) |
| °C | °F | | | |
| 150 | 302 | 187.2 | 185.01 | 0.20 |
| 145 | 293 | 210.3 | 207.54 | 0.22 |
| 140 | 284 | 236.9 | 233.41 | 0.25 |
| 135 | 275 | 267.5 | 263.06 | 0.28 |

| Temperature - Resistance/Voltage | | | | |
|----------------------------------|------------|---------------------------|-----------------------|------------------------------|
| Temperature | | Resistance Out Of Circuit | In-Circuit Resistance | Voltage In Circuit (I8 to -) |
| °C | °F | | | |
| 130 | 266 | 303.0 | 297.31 | 0.32 |
| 125 | 257 | 344.2 | 336.88 | 0.36 |
| 120 | 248 | 392.2 | 382.72 | 0.40 |
| 115 | 239 | 448.3 | 435.96 | 0.46 |
| 110 | 230 | 514.1 | 497.93 | 0.52 |
| 105 | 221 | 591.6 | 570.29 | 0.59 |
| 100 | 212 | 683.1 | 654.85 | 0.67 |
| 95 | 203 | 791.6 | 753.91 | 0.77 |
| 90 | 194 | 920.9 | 870.28 | 0.88 |
| 85 | 185 | 1075 | 1006.65 | 1.01 |
| 80 | 176 | 1261 | 1167.98 | 1.15 |
| 75 | 167 | 1485 | 1357.67 | 1.32 |
| 70 | 158 | 1756 | 1580.69 | 1.51 |
| 65 | 149 | 2087 | 1843.95 | 1.72 |
| 63 | 145 | 2256 | 1974.84 | 1.83 |
| 60 | 140 | 2491 | 2152.37 | 1.96 |
| 55 | 131 | 2989 | 2514.34 | 2.23 |
| 50 | 122 | 3604 | 2935.76 | 2.53 |
| 45 | 113 | 4369 | 3424.15 | 2.85 |
| 40 | 104 | 5326 | 3985.40 | 3.19 |
| 35 | 95 | 6530 | 4623.27 | 3.55 |
| 30 | 86 | 8056 | 5339.34 | 3.92 |
| 25 | 77 | 10000 | 6129.03 | 4.29 |
| 20 | 68 | 12500 | 6985.29 | 4.66 |
| 15 | 59 | 15720 | 7888.23 | 5.01 |
| 10 | 50 | 19920 | 8821.56 | 5.34 |
| 5 | 41 | 25440 | 9759.33 | 5.64 |
| 0 | 32 | 32740 | 10672.18 | 5.91 |
| -5 | 23 | 42470 | 11533.50 | 6.14 |
| -10 | 14 | 55580 | 12322.86 | 6.34 |
| -15 | 5 | 73390 | 13023.59 | 6.51 |
| -20 | -4 | 97820 | 13627.55 | 6.64 |
| -25 | -13 | 131700 | 14134.09 | 6.75 |

SENSOR DATA continued

Sensor Diagnostic Procedure

1. Visual inspection – is sensor mounted correctly? Is there any visible damage to the sensor wires?
2. Check sensor resistance for open or short circuit conditions.
3. Check sensor resistance and compare with the sensor temperature.
4. Check the power supply voltage. It must be 12.0V DC.
5. Check the voltage at the control input. Does it match the above table?

PARTS REPLACEMENT

To Access Components

1. Unplug the unit.
2. Drain the liquid from the tank.
3. Turn the unit over and remove the bottom (10 screws).
4. Access front controls by removing 4 screws from the sides and loosen 2 nuts securing the front section to the tank.

Heater

1. Remove the High Limit Bracket.
2. Remove the Bracket Spacer.
3. The heater is attached to the tank bottom with a pressure sensitive adhesive. To remove the old heater, disconnect the heater electrical connections. Peel the old heater away from the tank.
4. Scrape as much of the old adhesive from the tank with a sharp blade.
5. Use a 150-200 grit water paper to take off any remaining adhesive. It is important to remove the old adhesive. Installing the new heater without removing the old adhesive will reduce the heat transfer to the tank and reduce the life of the heater.
6. Clean the area with isopropyl alcohol. Clean any lint or fibers from the surface.
7. Replace the Bracket Spacer. This is to ensure the heater is placed so it does not interfere with the bracket.

8. Peel the protective liner from the heater. Carefully align the heater making sure it is square and even with one edge of the tank. Start applying the heater from the narrow edge in a slightly curved manner. Press the heater to the tank applying from one side to the other. Applying the heater in this manner will reduce the chance of trapping air between the heater and the tank. Press the heater down across the entire surface of the heater. This helps to set the adhesive.
9. Replace the high limit bracket. It must make contact with both heaters. The bracket may have to be bent slightly toward the heaters.
10. Connect the wires, one to the high limit and the other to the red wire.
11. Test and re-assemble the unit.

High Limit Thermostat

1. Remove the electrical connections.
2. Remove 2, 4-40 nuts from the old thermostat.
3. Verify the part number and temperature value is correct. Component identification varies with manufacturer. The Honeywell version is marked L215 (opens at 215°F/102°C). The Selco version is marked OA-220 (open at 220°F/104°C).
4. Install the new thermostat.
5. Replace the 2, 4-40 nuts. Do not over tighten.
6. Replace the electrical connections.
7. Test and re-assemble the unit.

PARTS REPLACEMENT continued

Power Supply

1. Remove the defective power supply and mounting bracket from the main component bracket.
2. Remove the power supply from the mounting bracket by pulling out the retaining tab.
3. Disconnect the electrical connections and place them on the new power supply one at a time. This will reduce the chance of making a wiring error.
4. When all the electrical connections have been made, mount the power supply on the bracket. Push in the retaining tab to secure the power supply.
5. Replace the bracket on the main component mount.
6. Test and re-assemble the unit.

Control

1. Remove the defective control from the main component bracket.
2. To reduce the chance of miss wiring try to exchange one wire at a time.
3. Examine and make sure there is no damage to the resistors and capacitors that are crimped in the wire harness. If there is any damage, the wire harness should be replaced. The temperature sensing circuit will not function correctly if one of these components is damaged or has a poor electrical connection.
4. Mount the new control.

5. When the control is powered up, the indicator on the front will be red until the control initializes and will then turn green. The control will not function if the indicator remains red.
6. Test and re-assemble the unit.
7. When a control or any temperature-sensing component has been replaced, fill the tank with cold water to the upper embossed line and monitor the temperature in the water. The water should heat to 145°F (63°C) then regulate at 122°F (50°C). Temperatures are measured with a lid or pans in covering the tank.

Thermistor Sensor

1. Remove the 10-24 nut that secures the sensor to the tank.
2. Disconnect the sensor wires for the control.
3. Replace in the reverse order. Always route the sensor wires apart from the heater wires. This helps to reduce electrical noise at the sensor input and ensures reliable readings.
4. Test and re-assemble the unit.
5. When a control or any temperature-sensing component has been replaced, fill the tank with cold water to the upper embossed line and monitor the temperature in the water. The water should heat to 145°F (63°C) then regulate at 122°F (50°C). Temperatures are measured with a lid or pans in covering the tank.

UPDATING PROGRAMS

The control has the ability to upgrade programs. This feature is available to provide system growth and there is currently no upgrade available.

Control programs are updated by installing a memory cartridge. The memory cartridge contains the new operating program. When a new memory cartridge is installed and power is applied, the memory located in the control will be erased. The control program will operate from the memory cartridge. If the memory cartridge is removed, there will be no operating program in the control and it will not function.

MAINTENANCE AND CLEANING

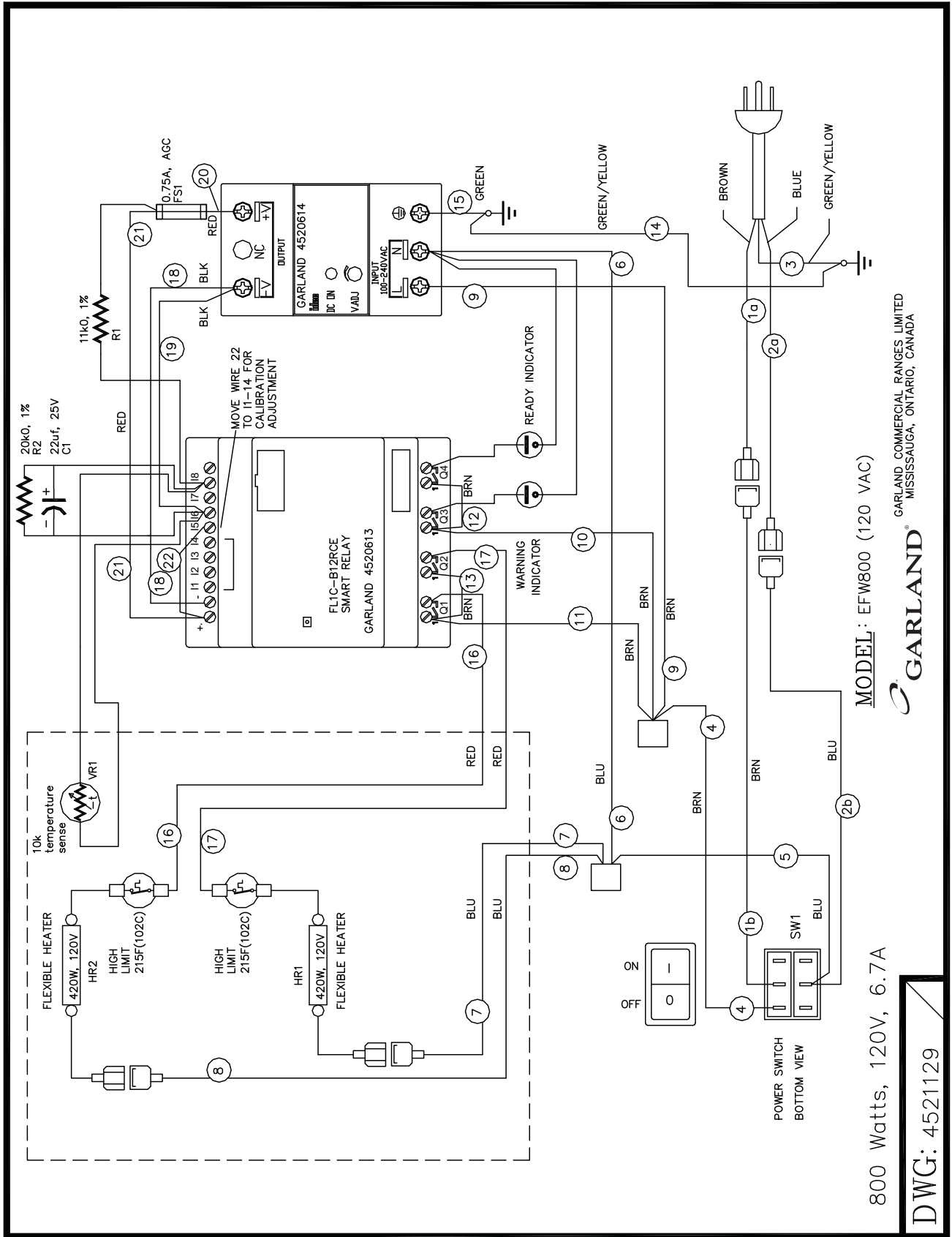
Empty the water from the tank and clean any lime deposit with a non-metallic scouring pad. To remove heavy lime deposits from the tank, fill the tank with a solution of 3 - parts water and 1 - part white vinegar. Heat for 30 minutes then rinse with clean water. Clean with a cloth soaked in a mild detergent and hot water. Rinse with a sponge dipped in clean hot water dry with a clean cloth.

Stainless steel should be cleaned using a mild detergent, a soft cloth and hot water. If it is necessary, use a non-metallic scouring pad to remove stubborn grime. Always rub in the direction of the grain in the metal to prevent scratching. Wash a small area at a time and rinse the washed area with a clean sponge dipped into a disinfectant and wipe dry with a soft clean cloth.

Use only stainless steel, wood, or plastic tools to scrape off heavy deposits. Do not use ordinary steel scrapers or knives, as particles of iron may become embedded and rust.

NEVER USE STEEL WOOL.

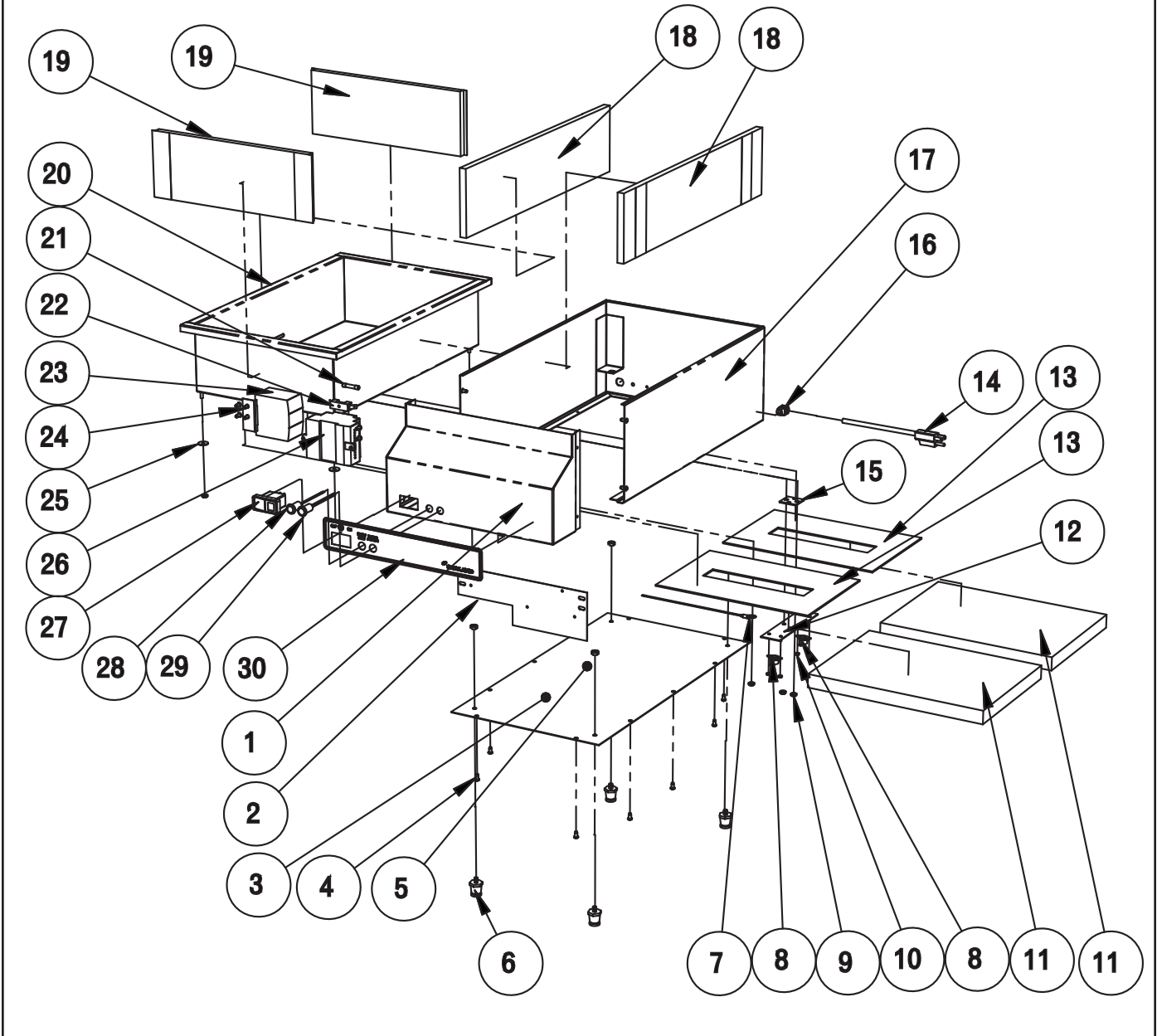
WIRING DIAGRAM



EFW800 PARTS BREAKDOWN

 **Garland**

MODEL: EFW800



EFW800 PARTS LIST

| ITEM | PART # | DESCRIPTION | QUANTITY |
|------|-----------|---|----------|
| | | | 120 Volt |
| 1 | 4520621 | Front Assembly | 1 |
| 2 | 4520626 | Component Bracket | 1 |
| 3 | 4520628 | Bottom | 1 |
| 4 | F10 | Screw, 8-32 self threading | 22 |
| 5 | F86 | 1/4-20NC KEP nut | 4 |
| 6 | 2635401 | Appliance Leg, 1" | 4 |
| 7 | 4520612 | Thermistor Probe Assembly | 1 |
| 8 | 3103102 | Thermostat 185 Degree F (High Limit) | 2 |
| 9 | F312 | 10-24NC KEP Nut | 9 |
| 10 | F519 | 4-40NC KEP Nut | 4 |
| 11 | 1472206 | Insulation, Bottom | 2 |
| 12 | 3099400 | Thermostat Bracket | 1 |
| 13 | 3084900 | Silicon Rubber Heater, 120V | 2 |
| 14 | 4523400 | Power Cord 6 FT. 3/18GA – 10AMP SJOOW | 1 |
| 15 | 4520635 | Bracket Spacer | 1 |
| 16 | 3100300 | 90 Degree Strain Relief | 1 |
| 17 | 4520619 | Body Back Assembly | 1 |
| 18 | 4520752 | Insulation, 1/2IN 5 x 20.25 | 2 |
| 19 | 4520753 | Insulation, 1/2IN 5 x 13.25 | 2 |
| 20 | 4520616 | Tank Assembly | 1 |
| 21 | 4520972 | Fuse 0.75 Amps AGC | 1 |
| 22 | 2320700 | Fuse Holder 1 Pole | 1 |
| 23 | 4520614 | Power Supply, 12VDC, 7.5W | 1 |
| 24 | 4520627 | Power Supply Mount | 1 |
| 25 | F158 | Washer .203 x .687 | 4 |
| 26 | CK4521319 | Electronic Control | 1 |
| 27 | 4520969 | Illuminated Power Switch | 1 |
| 28 | G01296-3 | Pilot Light Green | 1 |
| 29 | G01296-2 | Pilot Light Amber | 1 |
| 30 | 4520751 | Overlay, EFW800 | 1 |
| 31* | F36 | Screw, 10-24NC x 5/8 | 2 |
| 32* | 4521154 | Wire Harness AC Power | 1 |
| 33* | 4521156 | Wire Harness Assembly DC – Includes Items: 34, 35, 36 | 1 |
| 34* | 1425041 | 20K Resistor | 1 |
| 35* | 1425023 | 11K Resistor | 1 |
| 36* | 1427213 | Capacitor, 22UF 25 Volt | 1 |
| 37* | 4521057 | Label, Instruction Notice | 1 |
| 38* | 3099300 | Warning Label | 1 |

| Reference Diagrams | | | |
|--------------------|---------|----------------------|---|
| * | 4521129 | Wiring Diagram | – |
| * | 4521055 | Operating Manual | – |
| * | 4521056 | Service/Parts Manual | – |
| * NOT ILLUSTRATED | | | |

 **Garland**[®]

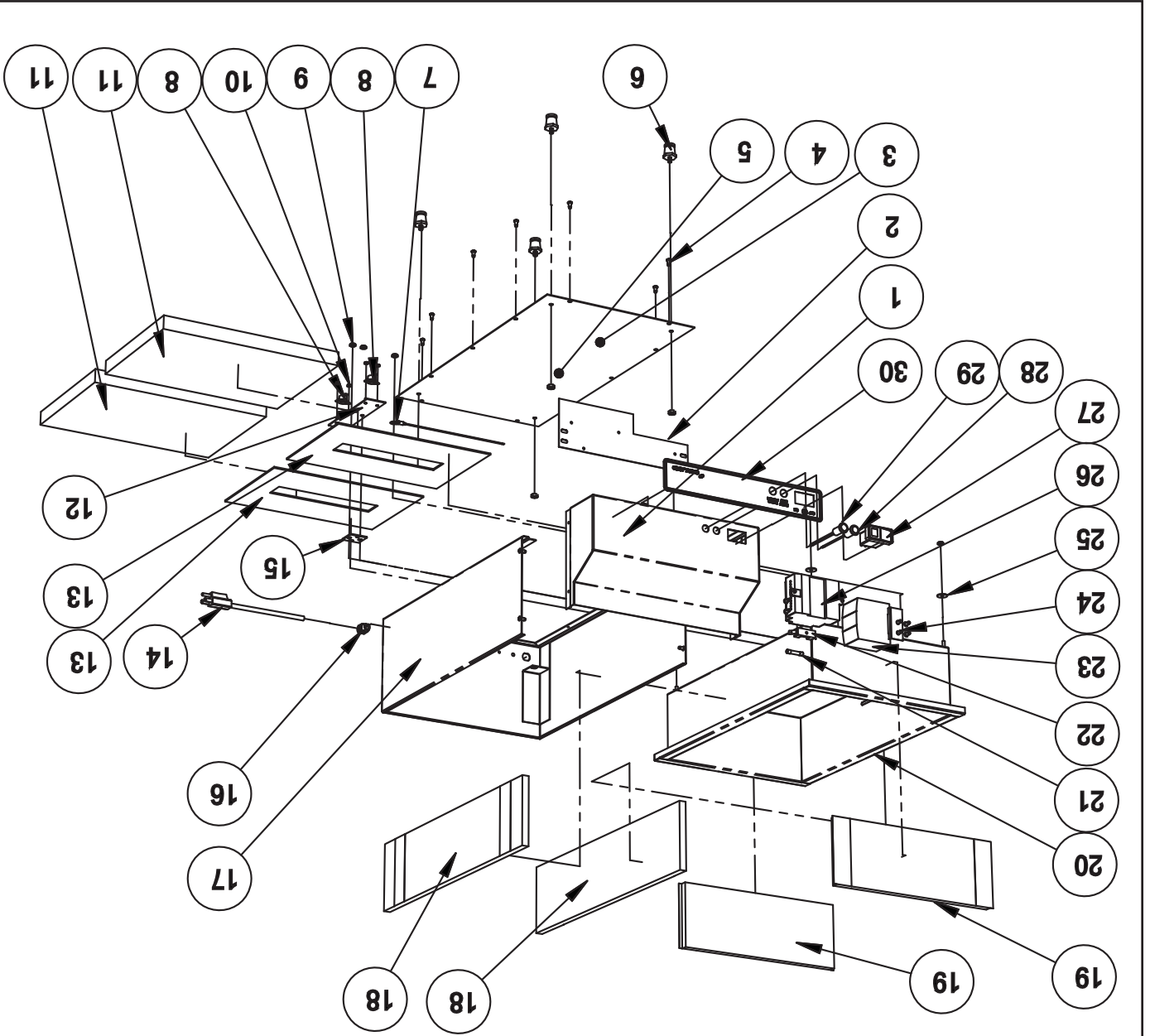
Garland ™

NOMENCLATURE DU MODÈLE EFW800

| ITEM | PIÈCE N° | DESCRIPTION | QUANTITÉ |
|------|-----------|--|----------|
| 1 | 4520621 | Ensemble Avant | 1 |
| 2 | 4520626 | Support À Composant | 1 |
| 3 | 4520628 | Fond | 1 |
| 4 | F10 | Vis, Autotaranduse 8-32 | 22 |
| 5 | F86 | Écrou 1/4-20NC KEP | 4 |
| 6 | 2635401 | Pied D'appareil, 1 Po | 4 |
| 7 | 4520612 | Ensemble De Sonde À Theristance | 1 |
| 8 | 3103102 | Thermostat 185 Degres F (Commande À Maximum) | 2 |
| 9 | F312 | Écrou 10-24NC KEP | 9 |
| 10 | F519 | Écrou 4-40NC KEP | 4 |
| 11 | 1472206 | Isolant, Fond | 2 |
| 12 | 3099400 | Support De Thermostat | 1 |
| 13 | 3084900 | Résistance, Caoutchouc Au Silicone, 120 V | 2 |
| 14 | 4523400 | Cordon D'alimentation 6 Pl. 3/18GA - 10Amp SJ00W | 1 |
| 15 | 4520635 | Entretoise De Support | 1 |
| 16 | 3100300 | Serre-Câble 90 Degres | 1 |
| 17 | 4520619 | Ensemble D'arrière De Carrosserie | 1 |
| 18 | 4520752 | Isolant, 1/2 PO 5 x 20,25 | 2 |
| 19 | 4520753 | Isolant, 1/2 PO 5 x 13,25 | 2 |
| 20 | 4520616 | Ensemble De Cuve | 1 |
| 21 | 4520972 | Fusible, 0,75 A, AGC | 1 |
| 22 | 2320700 | Porte Fusible, Unipolaire | 1 |
| 23 | 4520614 | Alimentation Electrique 12 V c.c., 7,5 W | 1 |
| 24 | 4520627 | Support D'alimentation Electrique | 1 |
| 25 | F158 | Rondelle 0,203 x 0,687 | 4 |
| 26 | CK4521319 | Commande Electronique | 1 |
| 27 | 4520969 | Interrupteur D'alimentation Eclairé | 1 |
| 28 | G01296-3 | Témoin Vert | 1 |
| 29 | G01296-2 | Témoin Ambre | 1 |
| 30 | 4520751 | Étiquette, EFW800 | 1 |
| 31* | F36 | Vis, 10-24NC x 5/8 | 2 |
| 32* | 4521154 | Faisceau De Câblage, Alimentation ca. | 1 |
| 33* | 4521156 | Ensemble De Faisceau De Câblage c.c., Inclut Des Items : 34, 35, 36 | 1 |
| 34* | 1425041 | 20K Résistor | 1 |
| 35* | 1425023 | 1K Résistor | 1 |
| 36* | 1427213 | Capacitor , 22UF 25V | 1 |
| 37* | 4521057 | Étiquette, Notice D'instructions | 1 |
| 38* | 3099300 | Étiquette D'avertissement | 1 |

Schémas De Référence

| | | | |
|-------------------|---------|-----------------------------|---|
| * | 4521129 | Schema De Câblage | - |
| * | 4521055 | Manuel D'utilisation | - |
| * | 4521056 | Manuel De Réparation/Pièces | - |
| * NOT ILLUSTRATED | | | |



Modèle: EFW800

Garland

Vider l'eau de la cuve et éliminer les dépôts de chaux avec un tampon à récurer non métallique. Pour éliminer les dépôts épais de calcaire de la cuve, remplir la cuve avec une solution de $\frac{3}{4}$ d'eau et de $\frac{1}{4}$ de vinaigre blanc. Chauffer pendant 30 minutes puis rincer à l'eau propre. Nettoyer avec un chiffon trempé dans une solution d'eau chaude et de détergent doux. Rincer avec une éponge trempée dans de l'eau chaude propre et sécher avec un chiffon propre.

L'acier inoxydable devra être nettoyé avec un détergent doux, un chiffon doux et de l'eau chaude. Si cela est

nécessaire, utiliser un tampon à récurer non métallique pour éliminer les salètes rebelles. Toujours frotter dans le sens du grain du métal afin de ne pas le rayer. Laver une petite surface à la fois, rincer la surface lavée avec une éponge trempée dans un produit désinfectant et sécher avec un chiffon doux propre.

Utiliser uniquement des outils en acier inoxydable, en bois ou en plastique pour gratter les dépôts épais. Ne pas utiliser de grattoirs ou couteaux en acier ordinaire, étant donné que des particules de fer risquent de s'incruster dans le métal et de rouiller.

NE JAMAIS UTILISER DE LAINE D'ACIER.

Capteur À Thermostance

1. Retirer l'écrou 10-24 fixant le capteur à la cuve.
2. Débrancher les fils de capteur de la commande.
3. Remettre en place dans l'ordre inverse du démontage. Toujours acheminer les fils de capteur séparément des fils de résistance chauffante. Cela contribue à réduire les parasites d'origine électrique à l'entrée du capteur et assure des résultats fiables.
4. Tester et remonter l'appareil.
5. Après un remplacement de commande ou de composant de détection de température, remplir la cuve avec de l'eau froide jusqu'à la ligne estampée supérieure et surveiller la température de l'eau. L'eau devrait chauffer à 63 °C (145 °F), puis se réguler à 50 °C (122 °F). Les températures sont mesurées avec un couvercle ou des bacs couvrant la cuve.
6. Tester et remonter l'appareil.
7. Après un remplacement de commande ou de composant de détection de température, remplir la cuve avec de l'eau froide jusqu'à la ligne estampée supérieure et surveiller la température de l'eau. L'eau devrait chauffer à 63 °C (145 °F), puis se réguler à 50 °C (122 °F). Les températures sont mesurées avec un couvercle ou des bacs couvrant la cuve.

MISE À JOUR DES PROGRAMMES

La commande peut mettre à jour les programmes. Cette fonction permet de faire évoluer le système et il n'existe pas de mise à jour actuellement.

Les programmes de commande sont mis à jour en installant une cartouche de mémoire. La cartouche de mémoire contient le nouveau programme d'exploitation. Quand une nouvelle cartouche de mémoire est installée et que l'appareil

est mis sous tension, la mémoire présente dans la commande est effacée. Le programme de commande fonctionne à partir de la cartouche de mémoire. Si la cartouche de mémoire est retirée, il n'y a plus de système d'exploitation dans la commande et l'appareil ne fonctionne plus.

Accès Aux Composants

1. Débrancher l'appareil.

2. Vidanger le liquide de la cuve.

3. Retourner l'appareil et retirer le fond (10 vis).

4. Accéder aux commandes avant en retirant les 4 vis des

côtés et en desserrant les 2 écrous fixant la section avant à la cuve.

Résistance Chauffante

1. Retirer le support de commande à maximum.

2. Retirer l'entretoise de support.

3. La résistance chauffante est fixée au fond de la cuve avec

un adhésif autocollant. Pour retirer l'ancienne résistance, débrancher ses connexions électriques. Décoller

l'ancienne résistance de la cuve.

4. Gratter le maximum d'ancien adhésif de la cuve avec une

lame affûtée.

5. Utiliser du papier abrasif à l'eau de grain 150-200 pour

éliminer l'adhésif restant. Il est important d'éliminer

tout l'ancien adhésif. Le fait d'installer une résistance

chauffante neuve sans retirer l'ancien adhésif réduira le

transfert de chaleur à la cuve ainsi que la durée de vie de

la résistance.

6. Nettoyer avec de l'alcool isopropylique. Éliminer toute

trace de fibres ou de peluches de la surface.

7. Remettre en place l'entretoise de support. Ainsi, la

résistance est placée de façon à ne pas toucher le

support.

8. Retirer la pellicule de protection de la résistance

chauffante. Aligner soigneusement la résistance en

s'assurant qu'elle est d'équerre et parallèle à un bord de

la cuve. Commencer à coller la résistance à partir du bord

étroit et de façon légèrement inclinée. Coller la résistance

chauffante à la cuve en allant d'un bord à l'autre. En

collant la résistance de cette façon, on réduit les risques

d'enfermer de l'air entre la résistance et la cuve. Bien

appuyer sur la résistance sur toute sa surface. Cela

contribue à fixer l'adhésif.

9. Remettre en place le support de commande à maximum.

Il doit toucher les deux résistances. Il est possible que l'on

doive courber légèrement le support vers les résistances.

10. Brancher les fils, un à la commande à maximum et l'autre

au fil rouge.

11. Tester et remonter l'appareil.

Thermostat De Commande À Maximum

1. Retirer les connexions électriques.

2. Retirer les deux écrous 4-40 de l'ancien thermostat.

3. Vérifier que le numéro de pièce et la valeur de

température sont corrects. L'identification de composant

varie selon les fabricants. La version Honeywell est

marquée L215 (ouverture à 102 °C / 215 °F). La version

Selco est marquée OA-220 (ouverture à 104 °C / 220 °F).

4. Installer le nouveau thermostat.

5. Remettre en place les 2 écrous 4-40. Ne pas trop serrer.

6. Remettre en place les connexions électriques.

7. Tester et remonter l'appareil.

Alimentation Electrique

1. Retirer l'alimentation électrique défectueuse et le support

de montage du support principal des composants

2. Retirer l'alimentation électrique du support de montage

en tirant sur la languette de retenue.

3. Débrancher les connexions électriques et les placer une

par une sur la nouvelle alimentation. Cela réduira les

risques d'erreur de câblage.

4. Une fois toutes les connexions électriques faites, monter

l'alimentation électrique sur son support. Enfoncez la

languette de retenue pour immobiliser l'alimentation.

5. Remettre en place le support sur le support principal des

composants.

6. Tester et remonter l'appareil.

Commande

1. Retirer la commande défectueuse du support principal

des composants.

2. Pour réduire les risques d'erreur de câblage, essayer de

changer un fil à la fois.

| Température - Résistance/Tension | | | | |
|----------------------------------|------------|--------|-----------------|--------------------------|
| Température | Résistance | | Tension | |
| | °C | °F | Hors Du Circuit | Dans Le Circuit (18 à -) |
| 40 | 104 | 5326 | 3985,40 | 3,19 |
| 35 | 95 | 6530 | 4623,27 | 3,55 |
| 30 | 86 | 8056 | 5339,34 | 3,92 |
| 25 | 77 | 10000 | 6129,03 | 4,29 |
| 20 | 68 | 12500 | 6985,29 | 4,66 |
| 15 | 59 | 15720 | 7888,23 | 5,01 |
| 10 | 50 | 19920 | 8821,56 | 5,34 |
| 5 | 41 | 25440 | 9759,33 | 5,64 |
| 0 | 32 | 32740 | 10672,18 | 5,91 |
| -5 | 23 | 42470 | 11533,50 | 6,14 |
| -10 | 14 | 55580 | 12322,86 | 6,34 |
| -15 | 5 | 73390 | 13023,59 | 6,51 |
| -20 | -4 | 97820 | 13627,55 | 6,64 |
| -25 | -13 | 131700 | 14134,09 | 6,75 |

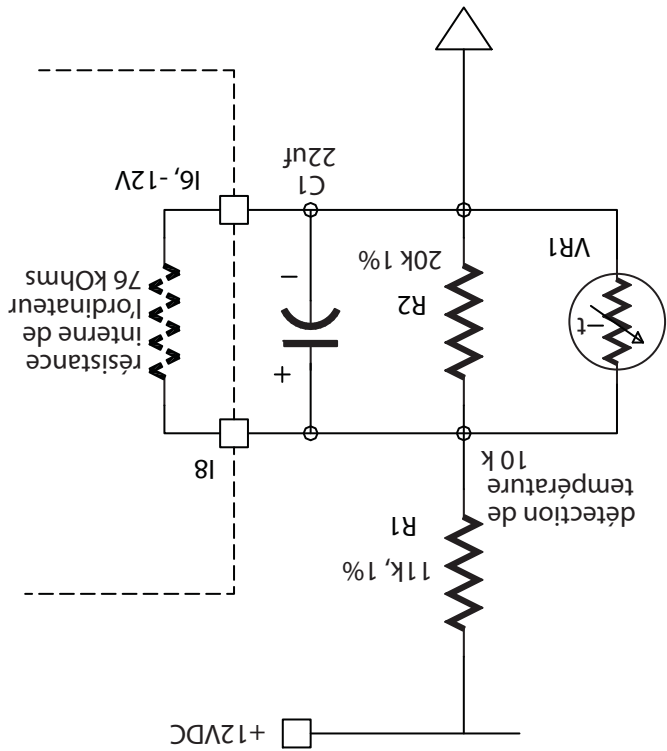
Procédure De Diagnostic Du Capteur

1. Inspection visuelle – est-il monté correctement? Y a-t-il des dommages visibles sur les fils du capteur?
2. Vérifier la résistance du capteur pour déceler un circuit ouvert ou un court-circuit.
3. Vérifier la résistance du capteur et la comparer à la température du capteur.
4. Vérifier la tension d'alimentation électrique. Elle doit être de 12,0 V c.c.
5. Vérifier la tension à l'entrée de la commande. Correspond-elle au tableau ci-dessus?

- Vérifier la tension entre la borne 12 volts et le côté charge du fusible FS1. Elle devrait être de 12 volts.

- Vérifier le témoin sur la commande électronique. Dans des conditions normales, il est vert. S'il est rouge, la commande a mal fonctionné. Si le témoin est rouge, la commande doit être remplacée.

DONNÉES DU CAPTEUR



Le capteur utilise sur ce modèle est une thermistance à coefficient de température négatif (CTN). Il s'agit d'un capteur dont la résistance diminue quand la température augmente.

Le circuit de détection est constitué comme un circuit diviseur de tension illustré ci-dessous. Le tableau de données montre la résistance de la thermistance hors du circuit, dans le circuit et la tension mesurée à l'entrée si le circuit est alimenté en fonction de la température.

Tableau Température - Résistance/Tension

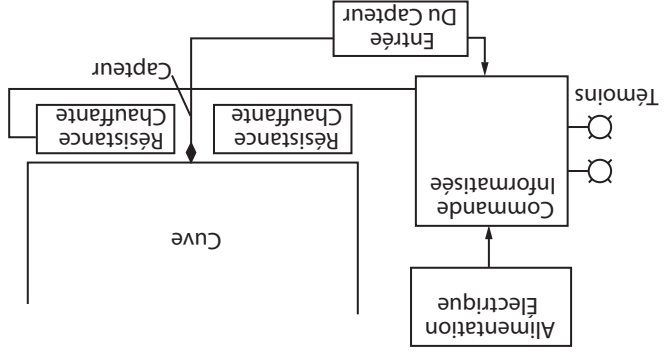
| Température - Résistance/Tension | | Résistance Hors Du Circuit | Résistance Dans Le Circuit | Température | °C | °F | Résistance Dans Le Circuit (à -18) |
|----------------------------------|------------|----------------------------|----------------------------|-------------|-----|-----|------------------------------------|
| Température | Résistance | | | | | | |
| 150 | 302 | 187.2 | 185.01 | 0.20 | 150 | 293 | 207.54 |
| 145 | 293 | 210.3 | 233.41 | 0.22 | 145 | 284 | 263.06 |
| 140 | 284 | 236.9 | 297.31 | 0.25 | 140 | 275 | 303.0 |
| 135 | 275 | 267.5 | 336.88 | 0.28 | 135 | 266 | 344.2 |
| 130 | 266 | 303.0 | 382.72 | 0.32 | 130 | 257 | 392.2 |
| 125 | 257 | 344.2 | 435.96 | 0.36 | 125 | 248 | 448.3 |
| 120 | 248 | 392.2 | 497.93 | 0.40 | 120 | 239 | 514.1 |
| 115 | 239 | 448.3 | 570.29 | 0.46 | 115 | 230 | 591.6 |
| 110 | 230 | 514.1 | 654.85 | 0.52 | 110 | 221 | 683.1 |
| 105 | 221 | 591.6 | 753.91 | 0.59 | 105 | 212 | 791.6 |
| 100 | 212 | 683.1 | 870.28 | 0.67 | 100 | 203 | 920.9 |
| 95 | 203 | 791.6 | 1006.65 | 0.77 | 95 | 194 | 1075 |
| 90 | 194 | 920.9 | 1167.98 | 0.88 | 90 | 185 | 1261 |
| 85 | 185 | 1075 | 1357.67 | 1.01 | 85 | 176 | 1485 |
| 80 | 176 | 1261 | 1580.69 | 1.15 | 80 | 167 | 1756 |
| 75 | 167 | 1485 | 1843.95 | 1.32 | 75 | 158 | 2087 |
| 70 | 158 | 1756 | 2152.37 | 1.51 | 70 | 149 | 2514.34 |
| 65 | 149 | 2087 | 2514.34 | 1.72 | 65 | 140 | 2989 |
| 63 | 145 | 2256 | 2989 | 1.83 | 63 | 131 | 3424.15 |
| 60 | 140 | 2491 | 3424.15 | 1.96 | 60 | 122 | 3969 |
| 55 | 131 | 2989 | 3969 | 2.23 | 55 | 113 | 4369 |
| 50 | 122 | 3604 | 4369 | 2.53 | 50 | 104 | 4769 |
| 45 | 113 | 4369 | 4769 | 2.85 | 45 | 95 | 5169 |

Introduction

Même si cet appareil ne possède qu'un interrupteur marche/arrêt et deux témoins, il y a une commande informatisée qui assure un contrôle précis de la température, un diagnostic des anomalies et une détection de bas niveau de l'eau. Dans la plupart des cas de panne de composant, la commande est conçue pour permettre à l'appareil de continuer à fonctionner en mode de service. Il est important de comprendre le fonctionnement de la commande et comment elle réagit aux anomalies afin de diagnostiquer correctement et de corriger les anomalies.

Pour maintenir la sécurité et la précision de l'appareil, il est également important de suivre rigoureusement les procédures de remplacement des pièces et directives d'inspection. Pour la sécurité et des performances optimales, utiliser seulement des pièces obtenues auprès de Garland ou d'une agence de service agréée.

Schéma Fonctionnel Du Système



Procédure De Réparation

Lors des opérations de service sur cet équipement, il est important d'effectuer les inspections suivantes afin de maintenir les performances et la sécurité de l'appareil.

Inspection Visuelle

1. Débrancher l'appareil.
2. Vidanger le liquide de la cuve.
3. Retourner l'appareil et retirer le fond.

- Vérifier la sortie de l'alimentation électrique. La tension devrait être de 12 V c.c. \pm 0,1 V c.c. Il y a un potentiomètre de réglage de la tension près du témoin vert. Si l'alimentation électrique ne peut pas être réglée à 12 V c.c. \pm 0,1 V c.c., cela pourrait indiquer un problème d'alimentation électrique ou de charge branchée à l'alimentation (contrôleur ou circuit de détection). Normalement, si un régulateur de tension est défectueux, l'erreur de tension est supérieure à 2 volts.
- Vérifier le témoin vert sur l'alimentation électrique. Si le témoin n'est pas allumé, vérifier la tension à l'alimentation électrique. S'il y a du 120 V c.a. aux bornes d'entrée et aucune tension aux bornes de sortie, l'alimentation électrique doit être remplacée. Il n'y a pas de composants réparables dans l'alimentation électrique.

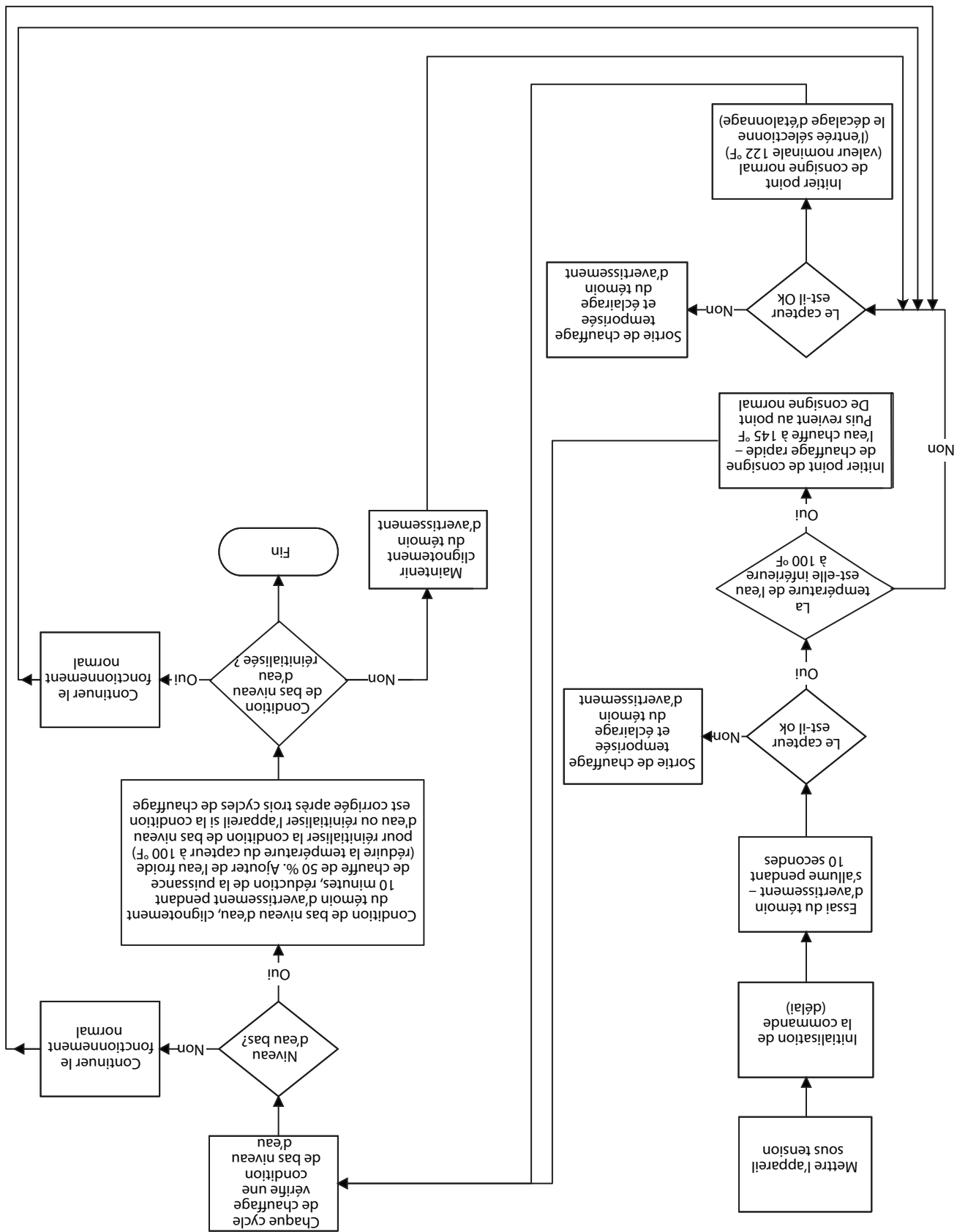
- Vérifier les points suivants avec l'appareil sous tension. **Avertissement :** Avant de mettre l'appareil sous tension, s'assurer que les composants sont placés de façon sécuritaire. Toujours effectuer l'inspection visuelle décrite ci-dessus avant de mettre l'appareil sous tension. Ne pas mettre l'appareil sous tension si les résistances chauffantes, le câblage ou des composants pouvant compromettre la sécurité sont endommagés.
- La section de commande avant peut être démontée de l'appareil en retirant les 4 vis sur les côtés et en desserrant les 2 écrous fixant la section avant à la cuve.

Vérifications Du Système

4. Examiner l'isolation. Elle ne devrait pas être humide ni mouillée. Une isolation humide pourrait indiquer que l'appareil a été immergé dans l'eau. Évaluer les dommages potentiels.
5. Retirer l'isolation du fond. Examiner les résistances chauffantes au silicone. Il ne devrait pas y avoir de ternissement ni de délaminage causés par la cuve.
6. Examiner les thermostats de commande à maximum et le support de commande à maximum. Le support est placé de façon à ce que les deux thermostats soient au-dessus des résistances chauffantes. Il ne devrait pas y avoir d'espace entre le support et la résistance chauffante. En cas d'espace, démonter le support et le plier légèrement pour qu'il touche les résistances chauffantes.
7. Vérifier la présence de câblage desserré ou endommagé.
8. Vérifier le fusible FS1.

| MESURE À PRENDRE | CAUSE POSSIBLE | DESCRIPTION DU PROBLÈME |
|---|--|---|
| Remplir avec de l'eau froide. | Le niveau d'eau de la cuve est bas. | Le témoin d'avertissement clignote. |
| Le témoin s'éteint automatiquement après 10 minutes. Remplacer l'eau de la cuve par de l'eau froide pour réinitialiser la condition de bas niveau d'eau. | L'eau n'était pas assez froide pour réinitialiser la condition de bas niveau d'eau. | Le témoin d'avertissement clignote après le remplissage d'eau. |
| La température de l'eau de la cuve est-elle supérieure à 82 °C (180 °F)? Oui, le capteur ou le relais de commande est peut-être en court-circuit. La température de l'eau de la cuve est-elle supérieure à 65 °C (150 °F) mais inférieure à 82 °C (180 °F)? Le capteur ou le circuit ont besoin d'étalonnage. Vérifier la résistance du capteur; vérifier si le relais de sortie de commande est en court-circuit. Remplacer le capteur ou la commande si nécessaire. | Le capteur est peut-être en court-circuit ou la température anormalement élevée. | Le témoin d'avertissement est allumé en permanence et la température de l'eau est élevée. |
| Vérifier la résistance du capteur et le remplacer si nécessaire. | Le capteur peut être ouvert ou en court-circuit mais la commande fonctionne en mode de cycle de chauffage temporisé. | Le témoin d'avertissement est allumé en permanence; la température est normale. |
| Vérifier que l'alimentation électrique est réglée à 12 V c.c. Il peut ne pas être nécessaire de déplacer le câble de connexion. Le fait de déplacer le câble d'étalonnage de la borne d'entrée 15 à 14 réduit la température de 2,5 °C (4 °F) ou à 13 °C (2 °F). Réduit la température de 1 °C (2 °F). | Un réglage de l'étalonnage est nécessaire. | La température de l'eau et celle du fondant sont trop élevées de 1 à 2,5 °C (2 à 4 °F). |
| Vérifier que l'alimentation électrique est réglée à 12 V c.c. Il peut ne pas être nécessaire de déplacer le câble de connexion. Le fait de déplacer le câble d'étalonnage de la borne d'entrée 15 à 11 augmente la température de 2,5 °C (4 °F). 12 augmente la température de 2,5 °C (4 °F). | Un réglage de l'étalonnage est nécessaire. | La température de l'eau et celle du fondant sont trop basses de 1 à 2,5 °C (2 à 4 °F). |
| Remplacer le contrôleur. | Témoin rouge sur le contrôleur. | Les résistances chauffantes ne chauffent pas. Aucun témoin ne s'allume. |
| Remplacer l'alimentation électrique. | Aucun témoin sur l'alimentation électrique. | Le témoin vert ne s'allume pas mais l'appareil fonctionne correctement. |
| Remplacer la lampe. | Le témoin est défectueux. | Le témoin d'avertissement ambre ne s'allume pas pendant 10 secondes à la mise sous tension. |
| Remplacer le contrôleur. | Le relais de commande est défectueux. | Le relais de commande est défectueux. |

SEQUENCE D'OPERATIONS



Cet appareil a besoin d'eau dans la cuve pour un chauffage uniforme. Avant la première utilisation, il est recommandé de nettoyer l'intérieur de la cuve avec un chiffon trempé dans du détergent, afin d'éliminer les huiles de fabrication et de protection. Rincer avec de l'eau propre et sécher avec un chiffon propre.

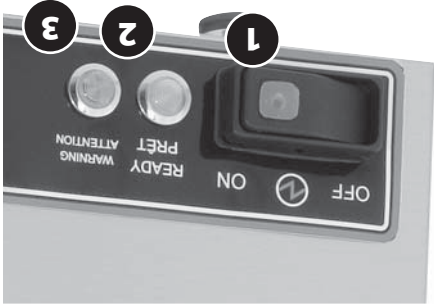
Ce modèle EFW800 est un réchauffeur à fondant haut de gamme d'une capacité de 12 po x 20 po (305 mm x 508 mm). Il est conçu pour maintenir la température du fondant à 46 °C (115 °F). Pour arriver à ce résultat, l'appareil chauffe un bain-marie à une température légèrement plus élevée que la température requise pour le fondant.

Procédure D'utilisation

1. Remplir la cuve avec de l'eau jusqu'à ce que le niveau soit situé entre les lignes minimum et maximum estampées sur la paroi intérieure de la cuve.
2. Insérer les bacs d'une profondeur maximale de 4 po (102 mm).
3. Brancher l'appareil dans une prise de courant.
4. Allumer l'appareil en appuyant du côté ON de l'interrupteur marqué ON – OFF.
5. Essai des témoins : Une fois la commande initialisée, le témoin ambre WARNING s'allume pendant 10 secondes. Cela permet à l'utilisateur de savoir que le témoin fonctionne
6. L'appareil commence par chauffer le bain-marie à une température de 63 °C (145 °F), puis le maintient à 50 °C, ± 0,2 °C (122 °F, ± 3 °F).

Témoins

1. L'interrupteur d'alimentation est éclairé quand il est en position de marche et que l'appareil est alimenté en courant électrique.



2. Le témoin vert READY s'allume quand l'eau du bain a atteint sa température de fonctionnement normale. Cela peut prendre plus de temps pour réchauffer du fondant froid. Voir la section Conseils de réchauffage du fondant pour plus de détails dans le manuel d'utilisation 4521055.
3. Le témoin ambre WARNING (AVERTISSEMENT) a plusieurs fonctions. Un témoin WARNING clignotant indique que le niveau d'eau est bas. Si le témoin ambre est allumé en permanence, cela indique une panne de capteur de température et il est nécessaire de contacter le personnel d'entretien.

NOTA : Des vérifications périodiques devront être effectuées durant le fonctionnement afin de s'assurer que le niveau d'eau ne descend pas au-dessous de la ligne minimum estampée. Si c'est le cas, refaire le niveau avec de l'eau propre. En cas de déclenchement de l'alarme de bas niveau, nous recommandons de nettoyer la cuve et de la remplir d'eau propre **froide** jusqu'à la ligne estampée.

IMPORTANT : En cas de déclenchement de l'alarme de bas niveau d'eau, remplir avec de l'eau froide. Seule de l'eau froide réinitialisera le témoin clignotant. En ajoutant de l'eau chaude, on ne réinitialisera pas immédiatement le détecteur de bas niveau d'eau. Le témoin continuera de clignoter si la température de l'eau ne descend pas en dessous de 38 °C (100 °F).

L'attention des utilisateurs est attirée sur le fait que l'entretien et les réparations devraient être effectués par un agent d'entretien autorisé par Garland. Garland n'aura aucune obligation en ce qui concerne n'importe quel produit mal installé, réglé, utilisé ou qui n'aurait pas été entretenu conformément aux codes nationaux et locaux ou aux instructions d'installation fournies avec le produit ou n'importe quel produit dont le numéro de série aurait été mutilé, oblitéré ou supprimé ou qui aurait été modifié ou réparé avec des pièces non autorisées ou par des agents d'entretien non autorisés. Pour obtenir la liste des agents de service autorisés, consulter le site web de Garland à : <http://www.garland-group.com> ou <http://www.garlandcanada.ca>. Les renseignements contenus dans le présent document (y compris la conception et les spécifications des pièces) peuvent être remplacés ou modifiés sans préavis.

Il est essentiel de suivre à la lettre les instructions contenues dans le présent manuel pour un fonctionnement sûr et économique de cet équipement. Si l'on sait ou si l'on suppose qu'un appareil présente une anomalie, cet appareil ne doit pas être utilisé avant que l'anomalie soit résolue par une personne compétente. Le personnel d'entretien doit consulter le manuel de réparation fourni avec l'appareil.

Emplacement De La Plaque Signalétique

Les caractéristiques électriques figurent sur la plaque signalétique et sont facilement visibles à l'arrière de l'unité, près de l'entrée du cordon d'alimentation électrique.

Sécurité

- Une personne qualifiée doit effectuer l'installation conformément à l'autorité ayant juridiction et aux codes locaux.
- L'appareil ne doit être utilisé que par une personne qualifiée. NE PAS l'utiliser sans avoir lu le présent manuel.

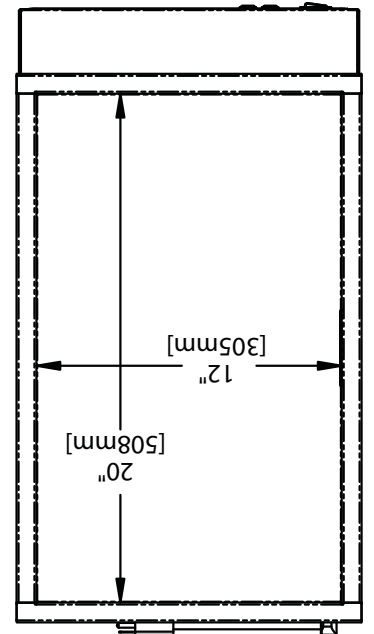
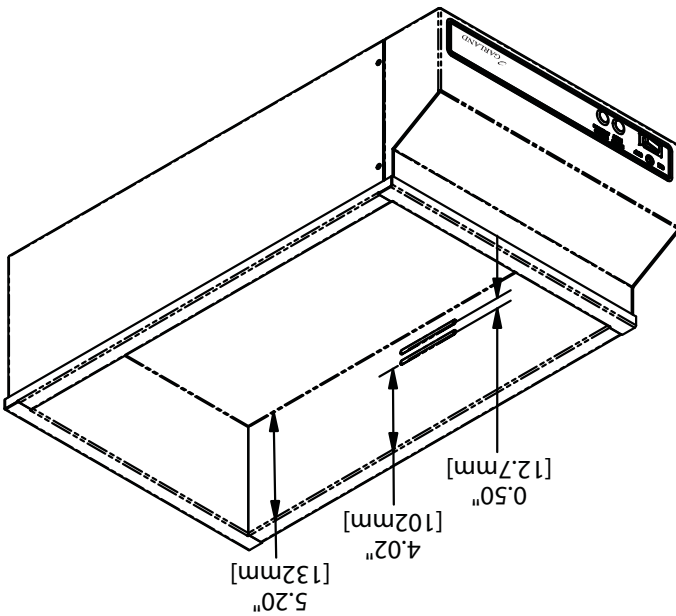
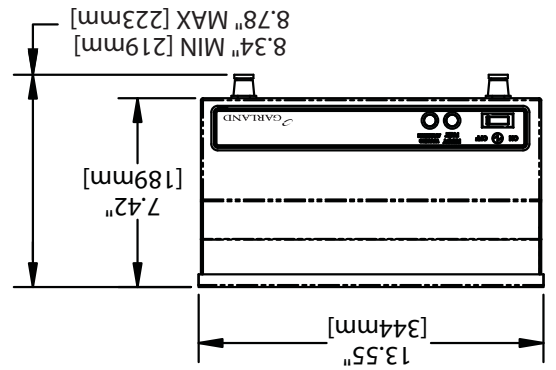
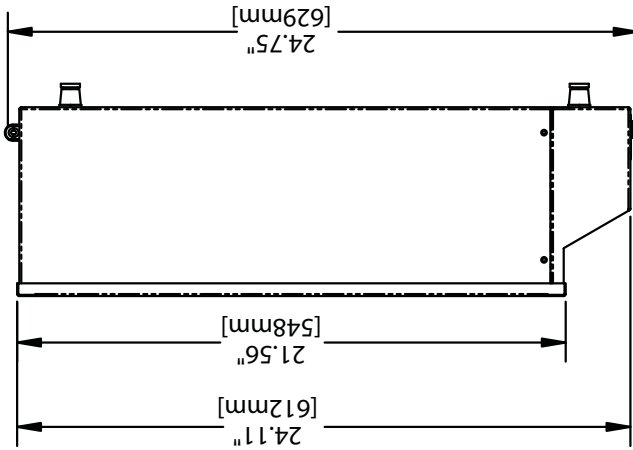
- NE PAS utiliser cet appareil si les panneaux d'entretien et d'accès ne sont pas en place et fixés correctement.
 - NE PAS essayer de réparer ou de remplacer n'importe quelle partie de cet appareil avant d'avoir débranché toutes les alimentations électriques.
 - NE PAS nettoyer cet appareil sans que l'alimentation électrique soit débranchée.
 - NE PAS immerger l'appareil dans l'eau.
- AVERTISSEMENT:**
- Pour Éviter Les Blessures Graves :**
- FAIRE TRÈS ATTENTION pour installer, utiliser et nettoyer cet appareil afin d'éviter tout contact avec les surfaces chaudes. Porter des vêtements de protection convenable ou utiliser des ustensiles adaptés pour éviter les risques de brûlures.
 - NOTER les étiquettes et marques d'avertissement sur le présent appareil, qui attirent l'attention sur les autres dangers et précautions nécessaires.
- Dégagements Par Rapport Aux Murs**
- Côtés : 0
Arrière : 0

Caractéristiques Électriques

| | | | |
|------------------|-----------|-----------|-------------------|
| Tension | Puissance | Intensité | Entrée Électrique |
| 120 V ca., 60 Hz | 800 Watts | 6.7 A | NEMA 5-15P |

| | | | | |
|-------------|--------------|--|----------------|-----------------|
| Dégagements | Installation | | OPo | OPo |
| | Entrée | | Arrière | Côtés |
| Poids | En caisse | | 15.8Po (401mm) | 13.55Po (344mm) |
| | Déballé | | 29 lb (13.2kg) | |

| | | | | | |
|--------------------|-----|---|-----|-----|--------------------------------------|
| Tension | 120 | 1 | .80 | 6.7 | Cordon de 6 pi avec fiche NEMA 5-15P |
| Phase | 1 | | | | |
| KW | | | | | |
| Intensité Nominale | | | | | |
| Type De Connexion | | | | | |



DIMENSIONS ET SPÉCIFICATIONS

TABLE DES MATIÈRES

| | | |
|----|--|----|
| 2 | INFORMATIONS IMPORTANTES | 2 |
| 4 | DIMENSIONS ET SPÉCIFICATIONS | 4 |
| 5 | INFORMATIONS GÉNÉRALES | 5 |
| 5 | Emplacement De La Plaque Signalétique | 5 |
| 5 | Sécurité | 5 |
| 5 | Dégagements Par Rapport Aux Murs | 5 |
| 5 | Caractéristiques électriques | 5 |
| 6 | INSTRUCTIONS D'UTILISATION | 6 |
| 6 | Procédure D'utilisation | 6 |
| 6 | Témoins | 6 |
| 7 | SÉQUENCE D'OPÉRATIONS | 7 |
| 8 | DÉPANNAGE | 8 |
| 9 | RÉPARATION | 9 |
| 9 | Introduction | 9 |
| 9 | Schema Fonctionnel Du Système | 9 |
| 9 | Procédure De Réparation | 9 |
| 9 | Inspection Visuelle | 9 |
| 9 | Vérifications Du Système | 9 |
| 10 | DONNÉES DU CAPTEUR | 10 |
| 10 | Tableau Température - Résistance/Tension | 10 |
| 11 | Procédure De Diagnostic Du Capteur | 11 |
| 12 | REMPLACEMENT DES PIÈCES | 12 |
| 12 | Accès Aux Composants | 12 |
| 12 | Résistance Chauffante | 12 |
| 12 | Thermostat De Commande À Maximum | 12 |
| 12 | Alimentation Électrique | 12 |
| 12 | Commande | 12 |
| 13 | Capteur À Thermostance | 13 |
| 13 | MISE À JOUR DES PROGRAMMES | 13 |
| 14 | ENTRETIEN ET NETTOYAGE | 14 |
| 15 | SCHEMA DE CÂBLAGE | 15 |
| 16 | ÉCLATÉ DES PIÈCES DU | 16 |
| 16 | MODÈLE EFW800 | 16 |
| 17 | NOMENCLATURE | 17 |
| 17 | DU MODÈLE EFW800 | 17 |

AVERTISSEMENT

Ce produit contient des produits chimiques reconnus par l'état de Californie comme causant le cancer et/ou des malformations congénitales ou d'autres problèmes de reproduction. L'installation et l'entretien de ce produit peut vous exposer aux poussières de laine de verre/fibres céramiques. L'inhalation de ces particules de laine de verre ou de fibres céramiques est reconnue par l'état de Californie comme causant le cancer.

MANUEL DE RÉPARATION/PIÈCES LE RÉCHAUFFEUR À FONDANT GARLAND, MODÈLE EFW800



| | |
|--|--|
| <p>POUR VOTRE SÉCURITÉ: NE PAS STOCKER NI UTILISER D'ESSENCE OU D'AUTRES VAPEURS OU LIQUIDES INFLAMMABLES À PROXIMITÉ DE CET APPAREIL OU DE TOUT AUTRE APPAREIL</p> | <p>AVERTISSEMENT UNE INSTALLATION, DES RÉGLAGES, DES MODIFICATIONS, DES RÉPARATIONS OU UN ENTRETIEN MAL FAITS PEUVENT CAUSER DES DOMMAGES MATÉRIELS, DES BLES- SURES OU LA MORT. LIRE SOIGNEUSE- MENT LES INSTRUCTIONS D'INSTALLATION, D'UTILISATION ET D'ENTRETIEN AVANT D'INSTALLER OU DE RÉPARER L'ÉQUIPEMENT.</p> |
|--|--|



LIRE TOUTES LES SECTIONS DU PRÉSENT
MANUEL ET LE CONSERVER POUR S'Y REPORTER
ULTÉRIEUREMENT.

CE PRODUIT A ÉTÉ HOMOLOGUÉ EN TANT
QU'ÉQUIPEMENT PROFESSIONNEL DE CUISSON
ET DOIT ÊTRE INSTALLÉ PAR DU PERSONNEL
PROFESSIONNEL TEL QUE SPÉCIFIÉ.

L'INSTALLATION ET LES CONNEXIONS
DEVONT ÊTRE CONFORMES AUX CODES EN
VIGUEUR: AU CANADA - LE CODE CANADIEN
DE L'ÉLECTRICITÉ, PARTIE 1 ET/OU LES CODES
LOCAUX. AUX É.-U. - LE NATIONAL ELECTRICAL
CODE ANSI / NFPA - ÉDITION EN VIGUEUR.
VÉRIFIER QUE L'ALIMENTATION ÉLECTRIQUE
EST CONFORME AUX CARACTÉRISTIQUES
ÉLECTRIQUES FIGURANT SUR LA PLAQUE
SIGNALÉTIQUE.

L'attention des utilisateurs est attirée sur le fait que l'entretien et les réparations doivent être effectués par un agent d'entretien autorisé par Garland utilisant des pièces de rechange d'origine Garland. Garland n'aura aucune obligation en ce qui concerne quel produit mal installé, réglé, utilisé ou qui n'aurait pas été entretenu conformément aux codes nationaux et locaux ou aux instructions d'installation fournies avec le produit ou n'importe quel produit dont le numéro de série aurait été mutilé, oblitéré ou supprimé ou qui aurait été modifié ou réparé avec des pièces non autorisées ou par des agents d'entretien non autorisés. Pour obtenir la liste des agents de service autorisés, consulter le site web de Garland à : <http://www.garland-group.com>. Les renseignements contenus dans le présent document (y compris la conception et les spécifications des pièces) peuvent être remplacés ou modifiés sans préavis.