



EFW500 FONDANT WARMER

PARTS LIST

Toll Free Phone, (US & Canada): (800) 427-6668

Toll Free Fax, (US & Canada): (800) 361-7745

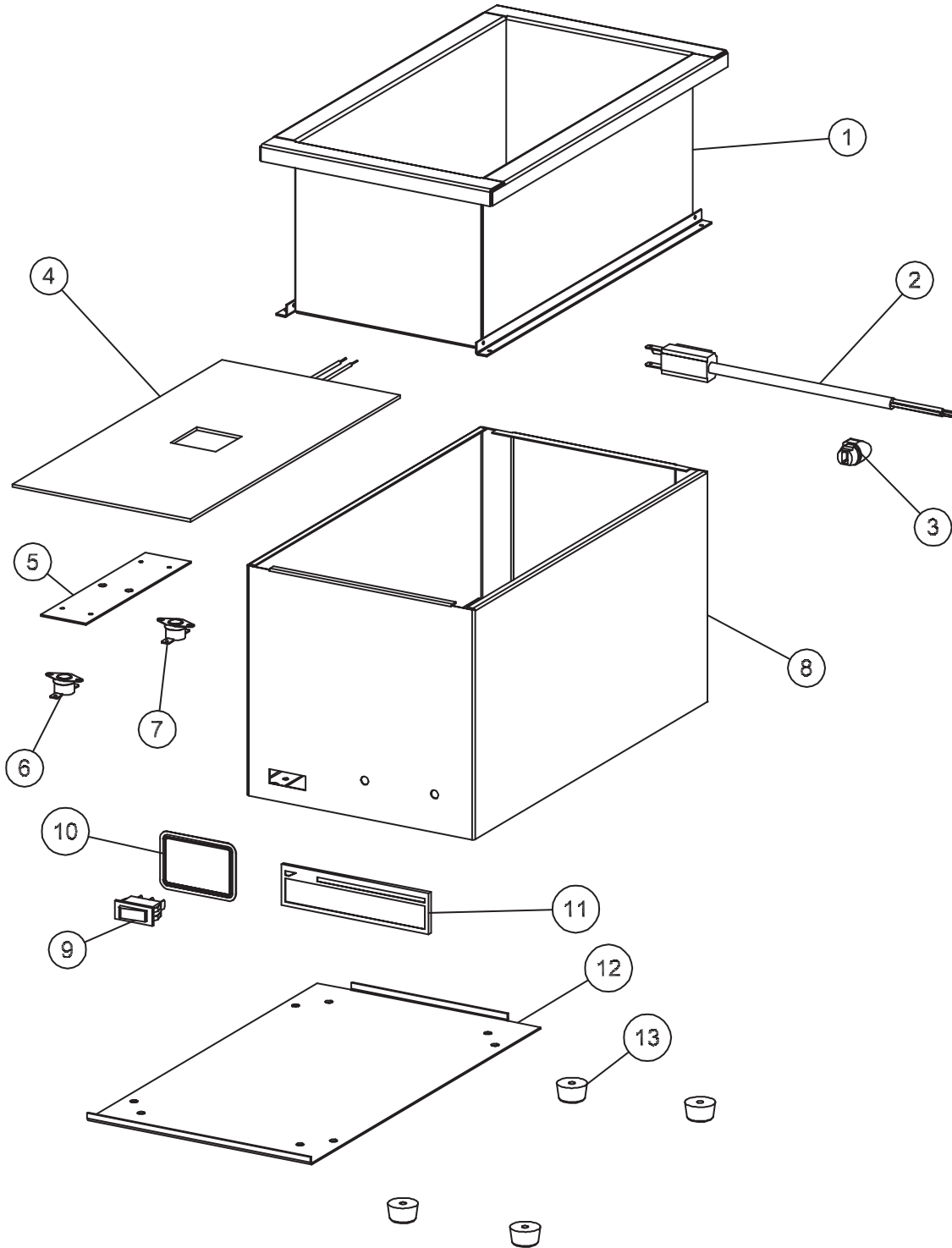
<http://www.garland-group.com>



EFW500 FONDANT WARMER

Contents:

EFW500 Fondant Warmer Page 4
Revision History Page 6



GARLAND PARTS IDENTIFICATION
EFW500 Fondant Warmer

ITEM	PART #	DESCRIPTION	QUANTITY	CRITICAL
			120 VOLT	
1	3095398	Food Warmer Tank Assembly	1	
2	4523400	Power Cord 6Ft 3/18Ga - 10Amp SJ00W	1	
3	3100300	90 Degree Strain Relief	1	
4	3084901	Silicon Ruber Heater, 120V, 500W	1	
5	3099400	Thermostat Bracket	1	
6	3103102	<i>Thermostat 215/220 Degree F (Operating Thermostat)</i>	1	C
7	3103103	<i>Thermostat 235/250 Degree F (High Limit)</i>	1	C
8	3095598	Case Assembly	1	
9	2146800	<i>Illuminated Power Switch</i>	1	C
10	4512759	Overlay, On/Off	1	
11	3077101	Name Plate, Small	1	
12	3096001	Bottom	1	
13	2487100	Unit Foot	4	
*	1472206	Insulation, Bottom	1	
Reference Diagrams				
3099202	Wiring Diagram			*

* NOT ILLUSTRATED

RECOMMENDED STOCK PARTS

GARLAND PARTS IDENTIFICATION

Revision History

REV. #	PAGE #	ITEM #	NOTE	DATE
1	5	2	New part number - was (3103200 : Power Cord, 18-3 SJT, 5-15P)	Aug 19/08
			Critical column added	

NOTES

 **Garland**[®]