



Electric Chain Griddle
ECG Series
ECG-24,-36,-48,-60,-72R 01

PARTS LIST

Toll Free Phone, (US & Canada): (800) 427-6668

Toll Free Fax, (US & Canada): (800) 361-7745

<http://www.garland-group.com>

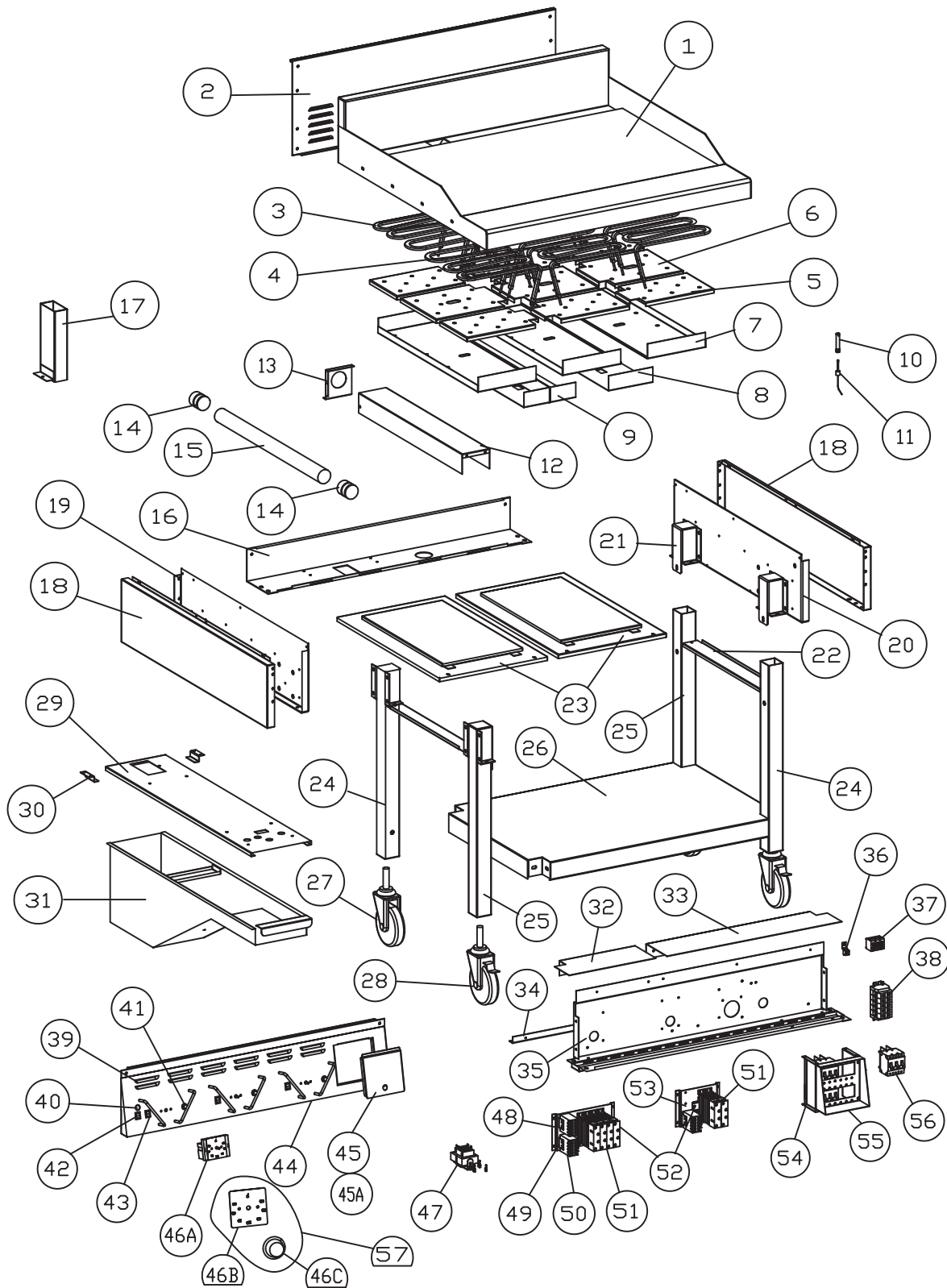


Electric Chain Griddle ECG Series ECG-24,-36,-48,-60,-72R 01

Contents:

| | |
|---------------------------------------------------------------|--------|
| Electric Chain Griddle ECG -24, -36, -48, -60, -72,R 01 | Page 4 |
| New Swivel Caster Information..... | Page 8 |
| Revision History | Page 9 |

ELECTRIC CHAIN GRIDDLE
ECG-24, -36, -48, -60, -72R 01



SK3856

GARLAND PARTS IDENTIFICATION
Electric Chain Griddle ECG-24, -36, -48, -60, -72R 01

| ITEM | PART # | DESCRIPTION | MODELS | | | | | DATES | | CRITICAL |
|------|-------------------------|--------------------------------------|------------|------------|------------|------------|------------|-------|-------|----------|
| | | | ECG-24R 01 | ECG-36R 01 | ECG-48R 01 | ECG-60R 01 | ECG-72R 01 | FROM | UP TO | |
| 1 | 2473697 | Griddle Assy Reg. | 1 | | | | | | | |
| | 2473696 | Griddle Assy Satin | 1 | | | | | | | |
| | 2449697 | Griddle Assy Reg. | | 1 | | | | | | |
| | 2449696 | Griddle Assy Satin | | 1 | | | | | | |
| | 2428697 | Griddle Assy Reg. | | | 1 | | | | | |
| | 2428696 | Griddle Assy Satin | | | 1 | | | | | |
| | 2440997 | Griddle Assy Reg. | | | | 1 | | | | |
| | 2440996 | Griddle Assy. Satin | | | | 1 | | | | |
| | 2449797 | Griddle Assy Reg. | | | | | 1 | | | |
| | 2449796 | Griddle Assy Satin | | | | | 1 | | | |
| 2 | 3065200 | Main Back | | 1 | | | | | | |
| | 3065201 | Main Back | | | 1 | | | | | |
| | 3065202 | Main Back | | | | 1 | | | | |
| | 3065203 | Main Back | | | | | 1 | | | |
| | 3065204 | Main Back | | 1 | | | | | | |
| 3 | 3065700 | Element - Front And Back 208V | 4 | 6 | 8 | 10 | 12 | | | C |
| | 3065701 | Element - Front And Back 240V | | | | | | | | C |
| 4 | 3065600 | Element - Center 208V | 2 | 3 | 4 | 5 | 6 | | | C |
| | 3065601 | Element - Center 240V | | | | | | | | C |
| 5 | 3061800 | Element Clamp - Front And Back | 4 | 6 | 8 | 10 | 12 | | | |
| 6 | 3061900 | Element Clamp - Center | 2 | 3 | 4 | 5 | 6 | | | |
| 7 | 3062000 | Element Cover | 1 | 3 | 4 | 5 | 6 | | | |
| | 3062001 | Element Pan | 1 | | | | | | | |
| 8 | 3075400 | Element Pan Filler | | 1 | 2 | 3 | 4 | | | |
| 9 | 3062100 | Element Pan Side | | 2 | 2 | 2 | 2 | | | |
| | 3062101 | Element Pan Side | 1 | | | | | | | |
| 10 | 2423600 | Bayonet Adapter | 2 | 3 | 4 | 5 | 6 | | | |
| 11 | 2423501 | J Thermocouple | 2 | 3 | 4 | 5 | 6 | | | C |
| 12 | 3075800 | Conduit Heat Shield | 1 | 1 | 1 | 1 | 1 | | | |
| 13 | 3075600 | Conduit Rear Bracket | 1 | 1 | 1 | 1 | 1 | | | |
| 14 | 3075900 | Emt Connector 1 1/2" | 2 | 2 | 2 | 2 | 2 | | | |
| 15 | 3075500 | Supply Conduit | 1 | 1 | 1 | 1 | 1 | | | |
| 16 | 3059501 | Lower Back Panel 36" | | 1 | | | | | | |
| | 3059500 | Lower Back Panel 48" | | | 1 | | | | | |
| | 3059502 | Lower Back Panel 60" | | | | 1 | | | | |
| | 3059503 | Lower Back Panel 72" | | | | | 1 | | | |
| | 3059504 | Lower Back Panel 24" | | 1 | | | | | | |
| 17 | 2401499 | Grease Chute Assy. | 1 | 1 | 2 | 2 | 2 | | | |
| 18 | 2513899 | Side Panel Assy. | 2 | 2 | 2 | 2 | 2 | | | |
| 19 | 2513798 | Body End Assy. - Left | 1 | 1 | 1 | 1 | 1 | | | |
| 20 | 2513799 | Body End Assy. - Right | 1 | 1 | 1 | 1 | 1 | | | |
| 21 | 3063100 | Leg Mount | 4 | 4 | 4 | 4 | 4 | | | |

* NOT ILLUSTRATED

RECOMMENDED STOCK PARTS

GARLAND PARTS IDENTIFICATION
Electric Chain Griddle ECG-24, -36, -48, -60, -72R 01

| ITEM | PART # | DESCRIPTION | MODELS | | | | | DATES | | CRITICAL |
|---------|---------|------------------------------------|------------|------------|------------|------------|------------|-----------|-----------|----------|
| | | | ECG-24R 01 | ECG-36R 01 | ECG-48R 01 | ECG-60R 01 | ECG-72R 01 | FROM | UP TO | |
| 22 | 3076900 | Bottom Side Filler | 2 | 2 | 2 | 2 | 2 | | | |
| 23 | 3075398 | Bottom Cover Assy. | | 2 | | | | | | |
| | 3075397 | Bottom Cover Assy. | | | 2 | | | | | |
| | 3075396 | Bottom Cover Assy. | | | | 2 | | | | |
| | 3075395 | Bottom Cover Assy. | | | | | 2 | | | |
| | 3075399 | Bottom Cover Assy. | 1 | | | | | | | |
| 24 | 3073799 | Leg Assy. Right - Casters | 2 | 2 | 2 | 2 | 2 | | | |
| | 3073798 | Leg Assy. Right - Foot | 2 | 2 | 2 | 2 | 2 | | | |
| 25 | 3073899 | Leg Assy. Left - Casters | 2 | 2 | 2 | 2 | 2 | | | |
| | 3073898 | Leg Assy. Left - Foot | 2 | 2 | 2 | 2 | 2 | | | |
| 26 | 3065199 | Stand Shelf Assy. -24 | 1 | | | | | | 7-Jun-02 | |
| | 3098302 | | | | | | | 7-Jun-02 | | |
| | 3065198 | Stand Shelf Assy. - 36 | | 1 | | | | | 7-Jun-02 | |
| | 3098303 | | | | | | | 7-Jun-02 | | |
| | 3065197 | Stand Shelf Assy. 48 | | | 1 | | | | 7-Jun-02 | |
| | 3098300 | | | | | | | 7-Jun-02 | | |
| | 3065196 | Stand Shelf Assy. | | | | 1 | | | 7-Jun-02 | |
| | 3098304 | | | | | | | 7-Jun-02 | | |
| | 3065195 | Stand Shelf Assy. | | | | | 1 | | 7-Jun-02 | |
| 3098305 | | | | | | | | 7-Jun-02 | | |
| 27 | 2442100 | Caster - Rear -NLA | 2 | 2 | 2 | 2 | 2 | | 25-Oct-04 | |
| | 4518093 | Swivel Caster - See Page 8 | 2 | 2 | 2 | 2 | 2 | 25-Oct-04 | | |
| 28 | 2442000 | Caster - Front - NLA | 2 | 2 | 2 | 2 | 2 | | 25-Oct-04 | |
| | 4518094 | Swivel Caster W/Brake - See Page 8 | 2 | 2 | 2 | 2 | 2 | 25-Oct-04 | | |
| 29 | 2429000 | Pan Slide | 1 | 1 | 2 | 2 | 2 | | | |
| 30 | 3063300 | Pan Slide Bracket | 2 | 2 | 4 | 4 | 4 | | | |
| 31 | 2430099 | Std Grease Drawer | 1 | 1 | 2 | 2 | 2 | | | |
| | 2538399 | Deep Grease Drawer | 1 | 1 | 2 | 2 | 2 | | | |
| 32 | 3074800 | Inner Heat Shield - Left | 1 | 1 | 1 | 1 | 1 | | | |
| 33 | 3076100 | Inner Heat Shield - Right | 1 | | | | | | | |
| | 3076101 | Inner Heat Shield - Right | | 1 | | | | | | |
| | 3076102 | Inner Heat Shield - Right | | | 1 | | | | | |
| | 3076103 | Inner Heat Shield - Right | | | | 1 | | | | |
| | 3076104 | Inner Heat Shield - Right | | | | | 1 | | | |
| 34 | 3065400 | Bottom Mtg. Brkt. | | 1 | | | | | | |
| | 3065401 | Bottom Mtg. Brkt. | | | 1 | | | | | |
| | 3065402 | Bottom Mtg. Brkt. | | | | 1 | | | | |
| | 3065403 | Bottom Mtg. Brkt. | | | | | 1 | | | |
| | 3065404 | Bottom Mtg. Brkt. | 1 | | | | | | | |

* NOT ILLUSTRATED

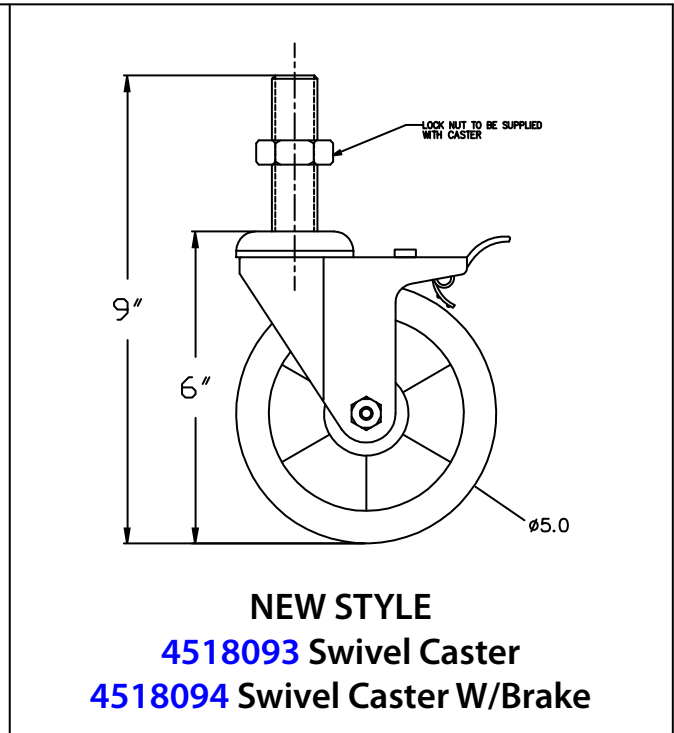
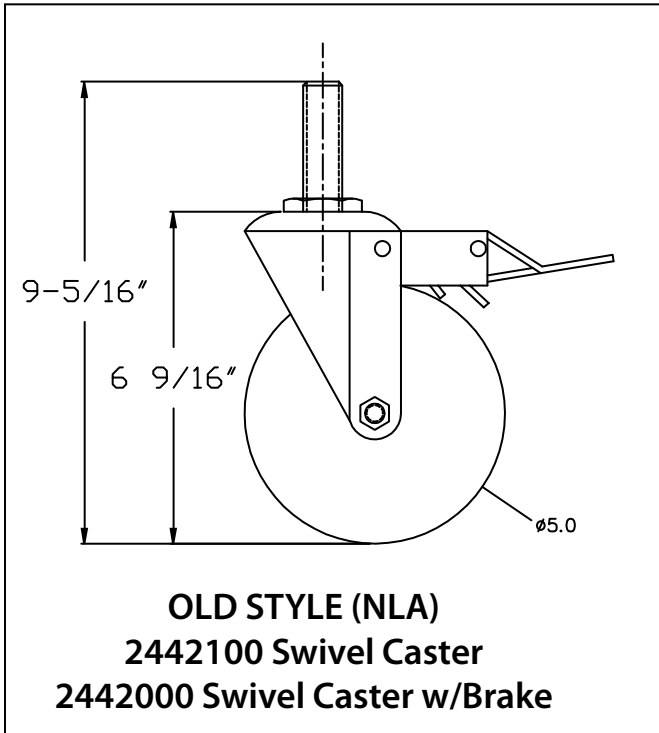
RECOMMENDED STOCK PARTS

GARLAND PARTS IDENTIFICATION
Electric Chain Griddle ECG-24, -36, -48, -60, -72R 01

| ITEM | PART # | DESCRIPTION | MODELS | | | | | DATES | | CRITICAL |
|---------------|-----------------|------------------------------------------|------------|------------|------------|------------|------------|-------|-------|----------|
| | | | ECG-24R 01 | ECG-36R 01 | ECG-48R 01 | ECG-60R 01 | ECG-72R 01 | FROM | UP TO | |
| 35 | 3074200 | Component Mtg. Brkt. | 1 | | | | | | | |
| | 3074300 | Component Mtg. Brkt. | | 1 | | | | | | |
| | 3074400 | Component Mtg. Brkt. | | | 1 | | | | | |
| | 3074500 | Component Mtg. Brkt. | | | | 1 | | | | |
| | 3074600 | Component Mtg. Brkt. | | | | | 1 | | | |
| 36 | 01499-1 | Ground Terminal | 1 | 1 | | | | | | |
| 37 | 2147300 | Terminal Block | 1 | 1 | | | | | | |
| 38 | 2694801 | Terminal Block | | | 1 | 1 | 1 | | | |
| 39 | 3061100 | Front Panel | 1 | | | | | | | |
| | 3061200 | Front Panel | | 1 | | | | | | |
| | 3061300 | Front Panel | | | 1 | | | | | |
| | 3061400 | Front Panel | | | | 1 | | | | |
| | 3061500 | Front Panel | | | | | 1 | | | |
| 40 | G01296-3 | Pilot Light Green | 1 | 1 | 1 | 1 | 1 | | | C |
| 41 | 2667200 | Pilot Light Amber | 2 | 3 | 4 | 5 | 6 | | | C |
| 42 | 2423301 | Switch | 1 | 1 | 1 | 1 | 1 | | | C |
| 43 | 2423300 | Switch | 2 | 3 | 4 | 5 | 6 | | | C |
| 44 | 2432100 | Handle - Knob Guard | 4 | 6 | 8 | 10 | 12 | | | |
| 45 | 3062500 | Circuit Breaker Cover | | 1 | 1 | | | | | |
| | 3062501 | Circuit Breaker Cover | | | | 1 | 1 | | | |
| 45A | 3076300 | Knob Style Latch | | 1 | 1 | 1 | 1 | | | |
| 46A | 2432001 | Electronic Thermostat | 2 | 3 | 4 | 5 | 6 | | | C |
| 46B | 4515805 | Dial Scal Deg F 450 (Insert 150 To 450) | 2 | 3 | 4 | 5 | 6 | | | |
| 46C | 4516733 | Dial W/Pointer 1.71" Dia. | 2 | 3 | 4 | 5 | 6 | | | |
| 47 | 1636000 | 24V Transformer | 1 | 1 | 1 | 1 | 1 | | | C |
| 48 | 3062700 | Elec. Comp. Mtg. Brkt. | 1 | 1 | 2 | 2 | 3 | | | |
| 49 | 3060300 | Relay Bracket | 2 | 3 | 4 | 5 | 6 | | | |
| 50 | 3060200 | Relay 4 Pole | 2 | 3 | 4 | 5 | 6 | | | |
| 51 | 3060400 | Relay 1 Pole | 4 | 6 | 8 | 10 | 12 | | | C |
| 52 | 3062600 | Din Rail | 1 | 1 | 2 | 2 | 3 | | | |
| 53 | 3077000 | Elec Comp. Mtg. Brkt. | | 1 | | 1 | | | | |
| 54 | 3061600 | C.B. Support | | 2 | 2 | 2 | 2 | | | |
| 55 | 3060700 | C.B. Box Cover | | 1 | 1 | | | | | |
| | 3078600 | C.B. Box Cover | | | | 1 | 1 | | | |
| 56 | 3060100 | Circuit Breaker | | 3 | 4 | 5 | 6 | | | C |
| Kit Available | | | | | | | | | | |
| 57 | 4516847 | Dial & Insert kit - includes 46B & 46C | | | | | | | | |

* NOT ILLUSTRATED

RECOMMENDED STOCK PARTS



Please note that there are differences between the old and new casters, The new casters are .312" (5/16) shorter overall so in this case, would not be interchangeable. When replacing the old caster Garland highly recommends replacing all remaining casters with the new caster. both new and old casters use (5") diameter wheels.

First unit manufactured with the new casters:
Model: CG-72R-0004
Serial Number: 0410100108836
Implementation Date: October 25/2004

GARLAND PARTS IDENTIFICATION

Revision History

| REV. # | PAGE # | ITEM # | NOTE | DATE |
|--------|--------|-------------------------------|--------------------------------------------------------------------|---------------|
| 1 | 7 | 40 | Replace G04055-2 with G01296-3 | August 22/02 |
| 2 | 7 | 45A | New Part Number Added | December 9/02 |
| 3 | 4 | 5,6 | Switched Item #s 5&6 | Jan 27/04 |
| | 5 | 6 | Part # 3061900 Qty was 1 Part # 3061901 deleted | |
| | 6 | 26 | Dates and new Part # Added | |
| 4 | 6 | 27 | New Part Numbers 4518094 | Dec 03/04 |
| | | 28 | New Part Number 4518093 | |
| | 8 | New Swivel Caster Information | | |
| 5 | 4 | 46B & C | Drawings Added | Feb 09/05 |
| | 7 | 46A | Description Changed | |
| | | 46B & C | New Part Numbers | |
| | | 57 | | |
| 6 | 4 | | Item Number 57 Added | Feb 02/09 |
| | 5,6,7 | | Critical Column Added | |

NOTES

NOTES

 **Garland**[®]