



## ***E22 SERIES***

# **PARTS LIST**

Toll Free Phone, (US & Canada): (800) 427-6668

Toll Free Fax, (US & Canada): (800) 361-7745

<http://www.garland-group.com>

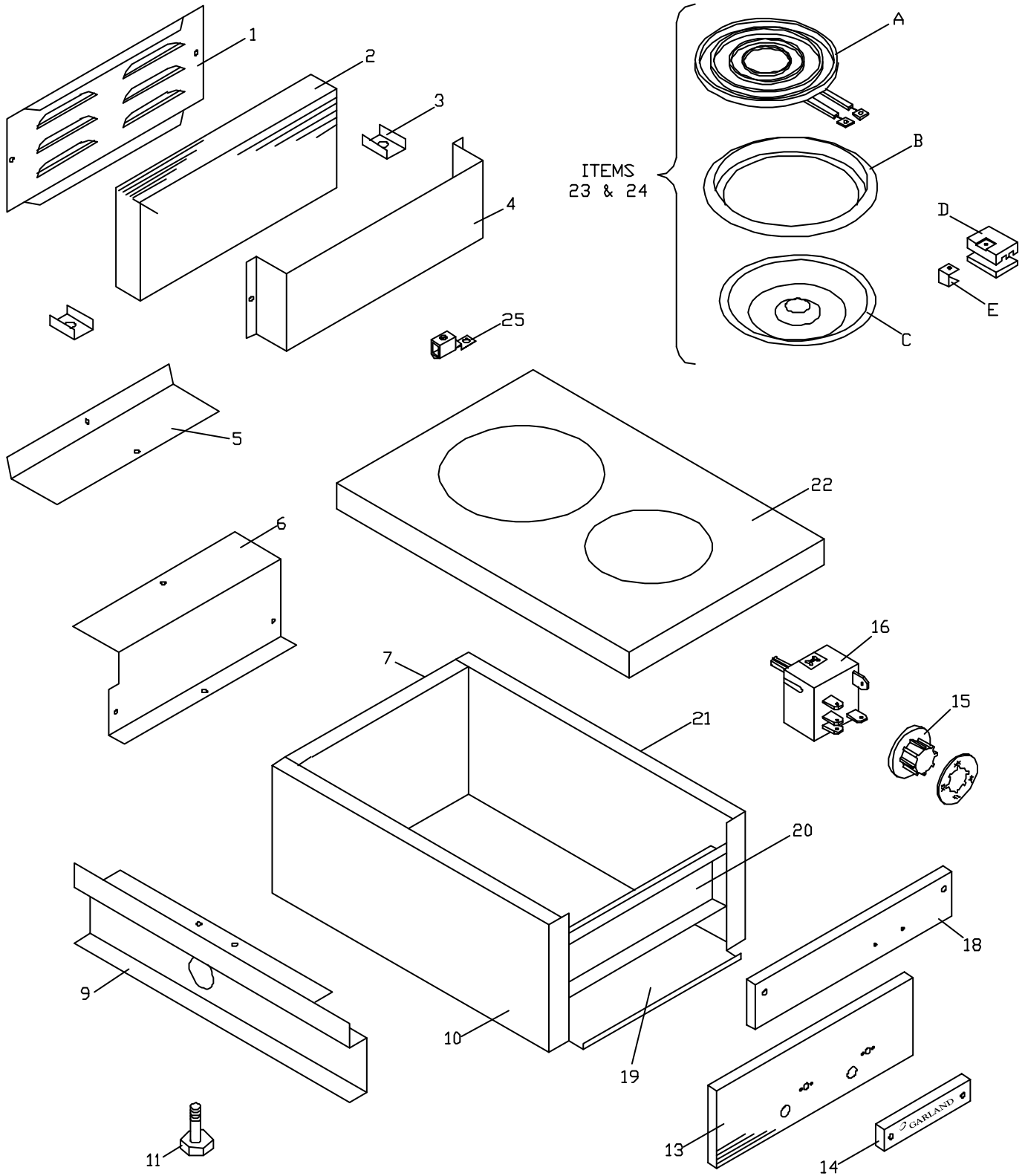




# **E22 SERIES**

## **Contents:**

Hot Plate E22-12H .....	Page 4
Fryers Models E22-14F And E22-28FT.....	Page 6
Food Warmer Models E22-15W And E22-15WP .....	Page 8
Drop-in Hot Food Wells Models HW1000, HW1000D, HW1300 And HW 1300D .....	Page 12
Char Broilers Models E22-12B, E22-24B, E22-36B And E22-36BM.....	Page 14
Japanese Steak Griddles Models E22-36-36GM,-45GM, -48GM, -56GM, -60GM, -68GM And -72GM .....	Page 18
Japanese Steak Griddles Models E22-36-36GMX,-45GMX, -48GMX, -56GMX, -60GMX, -68GMX And -72GMX.....	Page 22
Pizza Oven Models E22-22P And E22 -22P .....	Page 26
Grddles Models E22-18G, E22-24G And E22-36G Used To Code #7107 .....	Page 30
Grddles Models E22-18G, E22-24G And E22-36G Used To Code #797.....	Page 34
Sandwich Grddle Model E22-18SG Used From CodE # 7107 .....	Page 38
Sandwich Grddle Model E22-18SG Used Up To Code # 797.....	Page 42
Digital Photos .....	Page 45
Revision History .....	Page 47



## GARLAND PARTS IDENTIFICATION

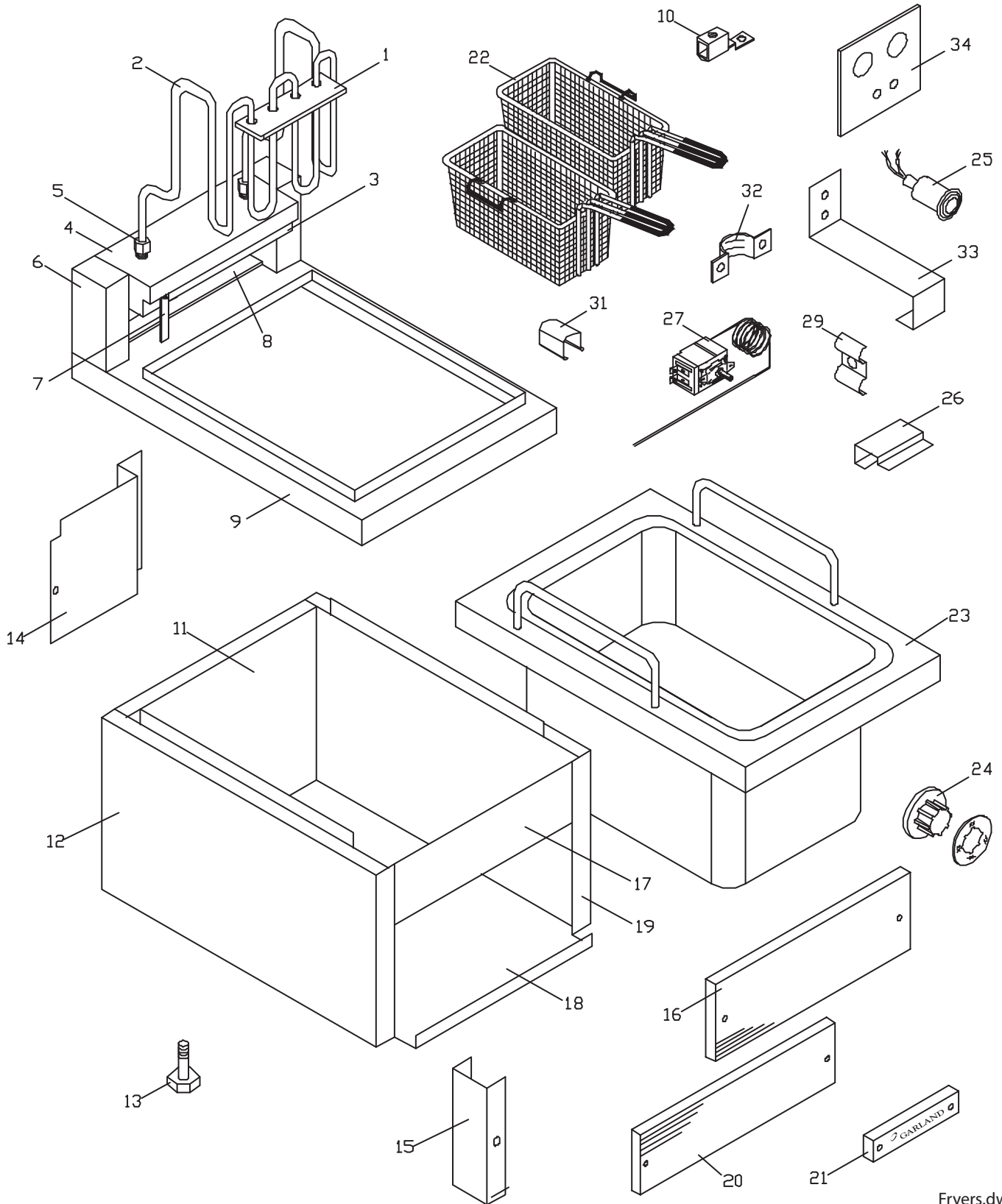
### Hot Plate E22-12H

#### E22 Series

ITEM	PART #	DESCRIPTION	MODEL E22-12H	CRITICAL
			QUANTITY	
1	G2614-1-8	Backguard Cover	1	
2	G2613-1-9	Backguard	1	
3	G1705-1-9	Element Clamp Short	2	
4	G2673-1-7	Vent Stock	1	
5	G2612-1-7	Rear Shield Upper	1	
6	G2612-2-7	Rear Shield Lower	1	
7	G2608-012-8	Main Back Assembly	1	
8*	<b>G2689-1-6</b>	Banking Plate	2	
9	G2617-01-7	Wire Way Assembly	1	
10	<b>G2606-01-82</b>	Body Side Assembly L/H	1	
11	<b>F157</b>	Leveling Bolt-3/8-16 x 1 1/16"	4	
12*	<b>G1555-1</b>	Front I.D. Plate	1	
13	G2610-12-9	Lower Front Panel	1	
14	<b>3077101</b>	Garland Nameplate 4 7/8"	1	
15	<b>G02716-1</b>	<b>Dial - (Universal) Small</b>	2	
	<b>G02725-4</b>	<b>Dial Insert (OFF/MIN/2-6/MAX)</b>	2	
16	<b>G03185-2</b>	<b>Infinite Switch-240 Volt</b>	2	C
17*	<b>G1555-2</b>	Rear I.D Plate	1	
18	G2609-1-9	Upper Front Panel	1	
19	G2607-12-7	Main Bottom	1	
20	G2611-12-7	Switch Cover	1	
21	<b>G2606-01-81</b>	Body Side Assembly R/H	1	
22	G2605-1-8P	Main Top Plated	1	
23A	<b>2195100</b>	<b>6 1/2" Surface Element 208V</b>	1	C
	<b>2195101</b>	<b>6 1/2" Surface Element 208V</b>	1	C
23B	<b>2602499</b>	<b>6 1/2" Ring Assembly</b>	1	C
23C	<b>2195200</b>	<b>Reflector Pans 6 1/2"</b>	1	C
23D	<b>2195800</b>	<b>Split Terminal Block (Small)</b>	1	C
23E	<b>2627700</b>	<b>Terminal Block Clip</b>	1	C
24A	<b>2195000</b>	<b>8" Surface Element 208V (2.1Kw)</b>	1	C
	<b>2195001</b>	<b>8" Surface Element 240V (2.1Kw)</b>	1	C
24B	<b>2602399</b>	<b>8" Ring Assembly</b>	1	C
24C	<b>2195300</b>	<b>8" Pan Reflector</b>	1	C
24D	<b>2195800</b>	<b>Split Terminal Block (Small)</b>		C
24E	<b>2627700</b>	<b>Terminal Block Clip</b>	1	C
25	<b>G01500-1</b>	Ground Terminal 55AMP		

\* NOT ILLUSTRATED

#### **RECOMMENDED STOCK PARTS**



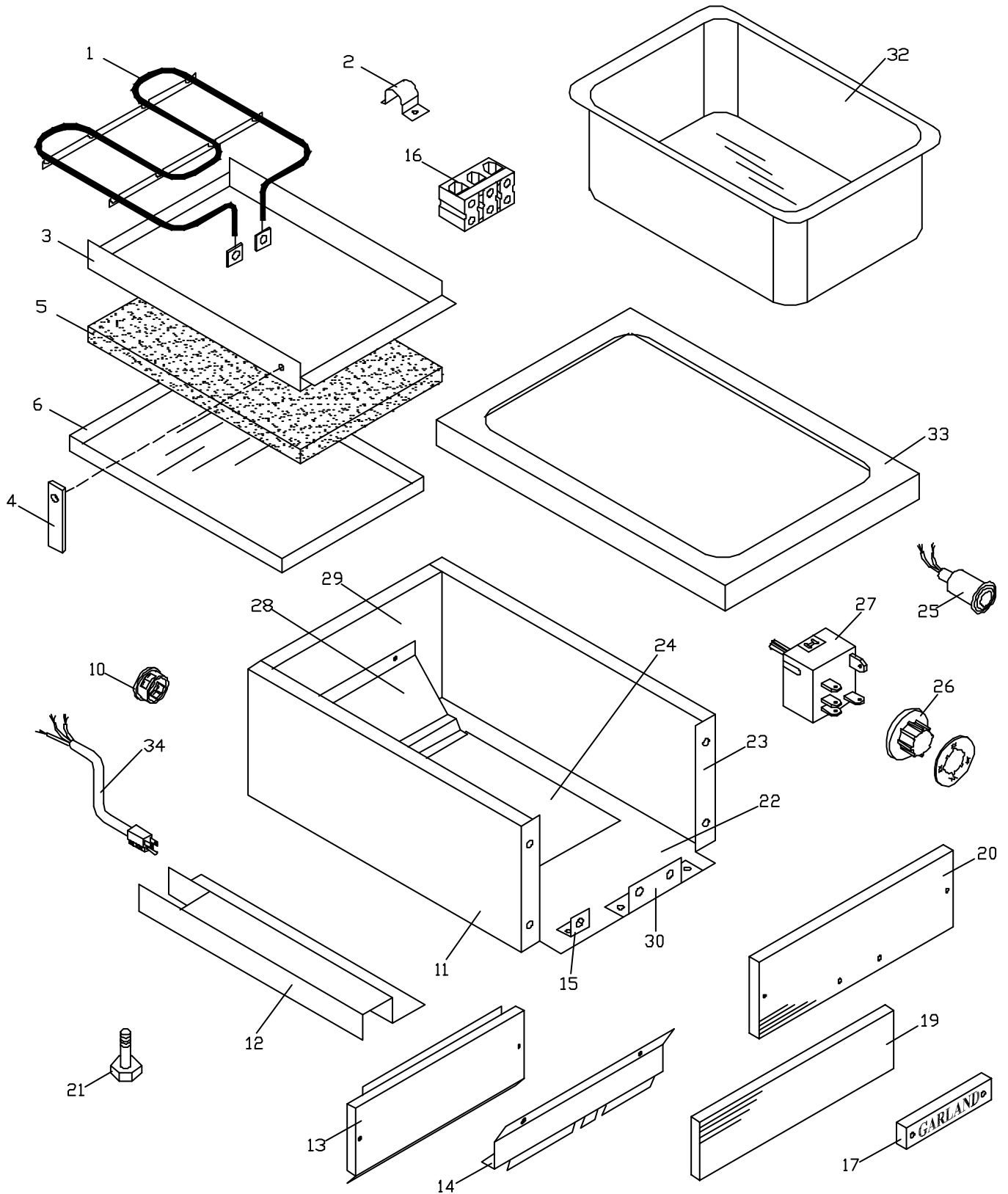
Fryers.dwg

**GARLAND PARTS IDENTIFICATION**  
**Fryers Models E22-14F AND E22-28FT**  
**E22 Series**

ITEM	PART #	DESCRIPTION	MODEL		CRITICAL
			QUANTITY		
			E22-14F	E22-28FT	
1	G1603-1-9	Tie Bar Support	1	2	
2	<b>G1588-1</b>	<b>Element Fryer 240V,5.3KW</b>	1	2	C
	<b>G1588-2</b>	<b>Element Fryer 208V,5.3KW</b>	1	2	C
	<b>G1588-3</b>	<b>Element Fryer 220V,5.3KW</b>	1	2	C
3	G1610-1-8	Terminal Box	1	2	
4	G1597-2-8P	Control Panel Plated	1	2	
5	<b>G1156-1</b>	Straight Thru Fitting	2	4	
6	G2694-01-8P	End Post Assembly Plated	2	2	
	G2695-01-8P	Centre Post Assembly Plated		1	
7	G1599-5-9	Locking Brace	1	2	
8	G2639-1-9	Extension Angle	1	2	
9	G2630-014-8P	Main Top Assembly Plated	1		
	G2640-028-8P	Main Top Assembly Plated		1	
10	<b>G01500-1</b>	Ground Terminal 55AMP	1		
	<b>G01499-1</b>	Ground Terminal 105A Large SLU-70		1	
11	G2635-014-8	Main Back Assembly	1		
	G2635-028-8	Main Back Assembly		1	
12	G2672-01-82	Main Side Assembly L/H	1	1	
13	<b>F157</b>	Leveling Bolt-3/8-16X1 1/16"	4	4	
14	G2637-1-7	Terminal Shield	1	1	
15	<b>G2636-1-7</b>	Terminal Protection Side	1	1	
16	G2621-14-9	Upper Front Panel	1		
	G2621-28-9	Upper Front Panel		1	
17	G2638-14-7	Front Shield	1		
	G2638-28-7	Front Shield		1	
18	G2634-14-7	Main Bottom	1		
	G2634-28-7	Main Bottom		1	
19	G2672-01-81	Main Side Assembly R/H	1	1	
20	G2610-14-9	Lower Front Panel	1		
	G2610-28-9	Lower Front Panel		1	
21	<b>3077101</b>	Garland Nameplate 4 7/8"	1	1	
22	<b>G02700-3</b>	<b>Fryer Basket Twin R.H.</b>	1	1	
	<b>G02700-4</b>	<b>Fryer Basket Twin L.H.</b>	1	1	
	<b>G02701-2</b>	<b>Fryer Basket Single</b>	Opt	1	
23	G02691-030-8P	Frytank Assembly N.L.A.	1	2	
24	<b>G02716-1</b>	<b>Dial - (Universal) Small Shaft</b>	1	2	
	<b>G02725-20</b>	<b>Dial Insert (OFF/200F/375F)</b>	1	2	
	<b>G02725-12</b>	<b>Dial Insert (OFF/95C/190C)</b>	1	2	
25	<b>G01296-2</b>	<b>Pilot Amber</b>	1	2	
26	G2939-1-8	Switch Bracket	1	2	
27	<b>G2693-1</b>	<b>Thermostat G1 200F TO 400F</b>	1	2	C
28*	<b>2113600</b>	<b>Hi Limit Thermostat</b>	1	2	C
29	CK162	Zip Timer Conversion Kit	3	6	
30*	<b>G1155-1</b>	Black PVC Grommet #315-463	2	4	
31	F139	Clamp Tinnerman Use <b>GF139</b>	4	8	
32	<b>G1639-1-9</b>	Bracket Handle	1	2	
33	<b>G1629-1-9P</b>	<b>Lifting Handle Plastic Dip</b>	1	2	
34	<b>G2689-1-6</b>	Banking Plate	1	1	

\* NOT ILLUSTRATED

**RECOMMENDED STOCK PARTS**



Food Warmer.dwg

**GARLAND PARTS IDENTIFICATION**  
**Food Warmer Models E22-15W AND E22-15WP**  
**E22 Series**

ITEM	PART #	DESCRIPTION	MODEL		CRITICAL
			QUANTITY		
			E22-15W	E22-15WP	
1	<b>G0569-1</b>	<i>Element 120V,1 KW From Code 731</i>		1	C
	<b>G0569-2</b>	<i>Element 208V,1 KW From Code 731</i>	1		C
	<b>G0569-3</b>	<i>Element 240V,1 KW From Code 731</i>	1		C
	<b>G1713-3</b>	<i>Griddle Element 240V Up to Code 721</i>	1		C
	<b>G1713-4</b>	<i>Griddle Element 208V Up to Code 721</i>	1		C
	<b>G1713-7</b>	<i>Element 115/120V Up to Code 721</i>		1	C
2	F301	Element Clamp	1	1	
3	G0576-1-6	Element Upper Pan	1	1	
4	G2629-1-7	Pan Support	2	2	
5	<b>1472205</b>	Insulation 17 x12 x 1	1	1	
6	G0577-1-6	Element Baffle Pan	1	1	
7*	G0355-1	Surface Utility Box-Temco		1	
	G0355-2	Blank Steel Plate		1	
8*	<b>1028500</b>	Connector 3/8" 90 DEG. Romex		1	
	<b>G01497-1</b>	Bx Connector Straight 3/8"		1	
9*	<b>G01507-1</b>	Chase Nipple #842-TB W/Locknut #141		1	
10	<b>1028802</b>	Heyco Bushing		1	
11	<b>G2606-01-82</b>	Body Side Assembly L/H	1	1	
12	G2625-1-7	Wire Channel	1	1	
13	G2623-1-7	Shield Upper Front	1	1	
14	G0578-1-7	Shield Lower Front	1	1	
15	G2687-1-7	Cable Support	1	1	
16	G01269-1	Terminal Block (Use <b>2147300</b> )	1	1	
17	<b>3077101</b>	Garland Nameplate 4 7/8"	1	1	
18*	<b>G1555-6</b>	Blank I.D Plate	1	1	
19	G2622-15-9	Lower Front Panel	1	1	
20	G0131-15-9	Upper Front Panel	1	1	
21	<b>F157</b>	Leveling Bolt-3/8-16X1 1/16"	4	4	
22	G2619-15-7	Main Bottom	1	1	
23	<b>G2606-01-81</b>	Body Side Assembly R/H - Painted	1	1	
24	G0579-1-7	Element Support Lower	1	1	
25	<b>G01296-3</b>	<b>Pilot Green</b>	1	1	
26	<b>G02716-1</b>	<b>Dial - (Universal) Small Shaft</b>	1		
	<b>G02725-4</b>	<b>Dial Insert (OFF/MIN/2-6/MAX)</b>	1	1	
27	<b>G03185-1</b>	<b>Infnite Switch-120 VOLT</b>		1	C
	<b>G03185-2</b>	<b>Infnite Switch-240 Volt</b>	1		C
28	G2626-2-7	Element Support	1	1	
29	G2620-15-8	Main Back	1	1	
30	G2691-1-7	Switch Mounting Bracket	1	1	
31*	<b>G2689-1-6</b>	Banking Plate	2	2	

\* NOT ILLUSTRATED

**RECOMMENDED STOCK PARTS**

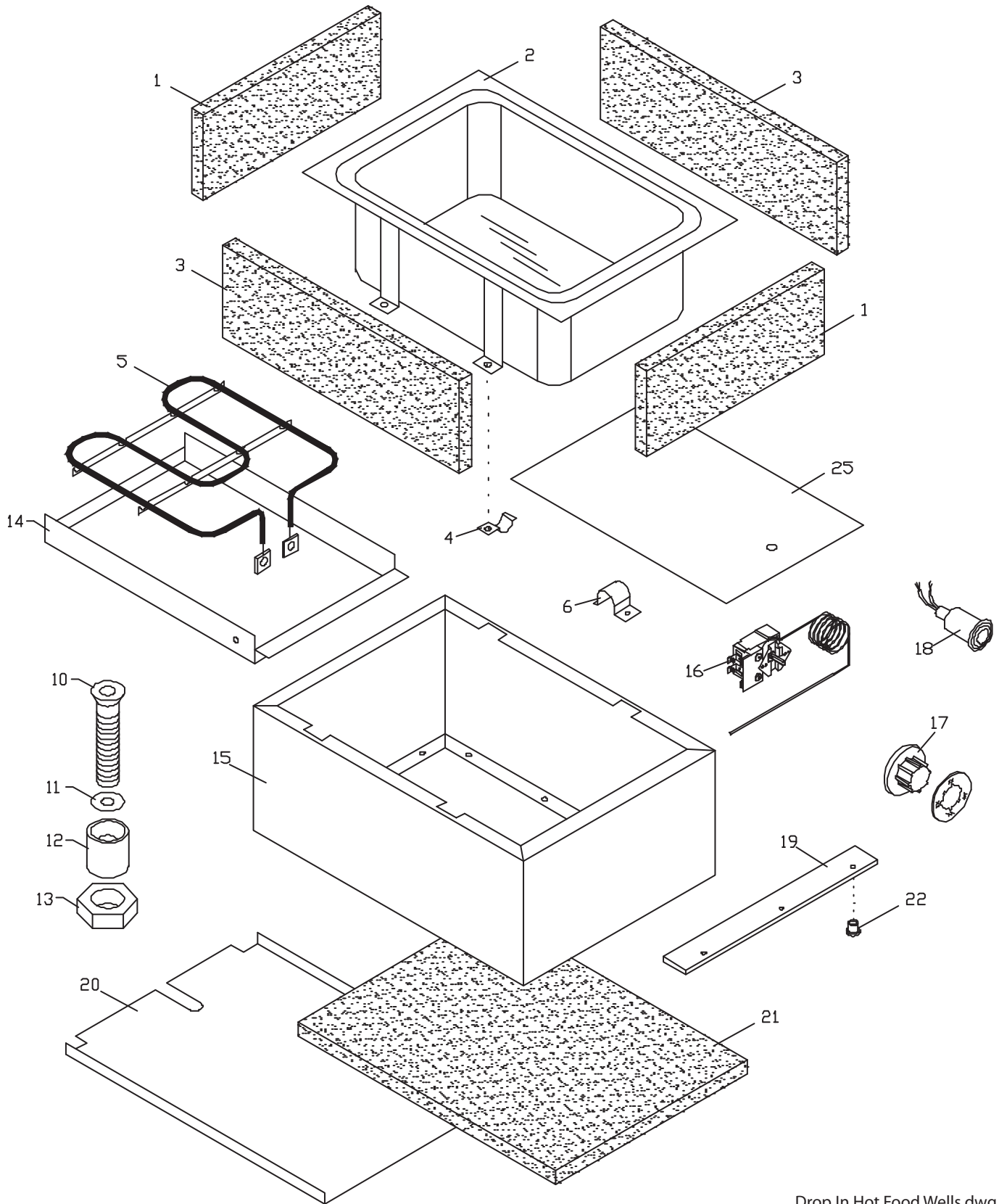
**GARLAND PARTS IDENTIFICATION**  
**Food Warmer Models E22-15W AND E22-15WP**  
**E22 Series**

ITEM	PART #	DESCRIPTION	MODEL		CRITICAL
			QUANTITY		
			E22-15W	E22-15WP	
32	G0439-2-9	Food Warmer Well	1	1	
33	G2618-15-9	Main Top	1	1	
34	<a href="#">4523398</a>	Power Cord 6Ft 3/14GA - 15Amp SJ00W		1	

\* NOT ILLUSTRATED

**RECOMMENDED STOCK PARTS**

**NOTES**



Drop In Hot Food Wells.dwg

## GARLAND PARTS IDENTIFICATION

### Drop-in Hot Food Wells Models HW1000, HW1000D, HW1300 AND HW 1300D

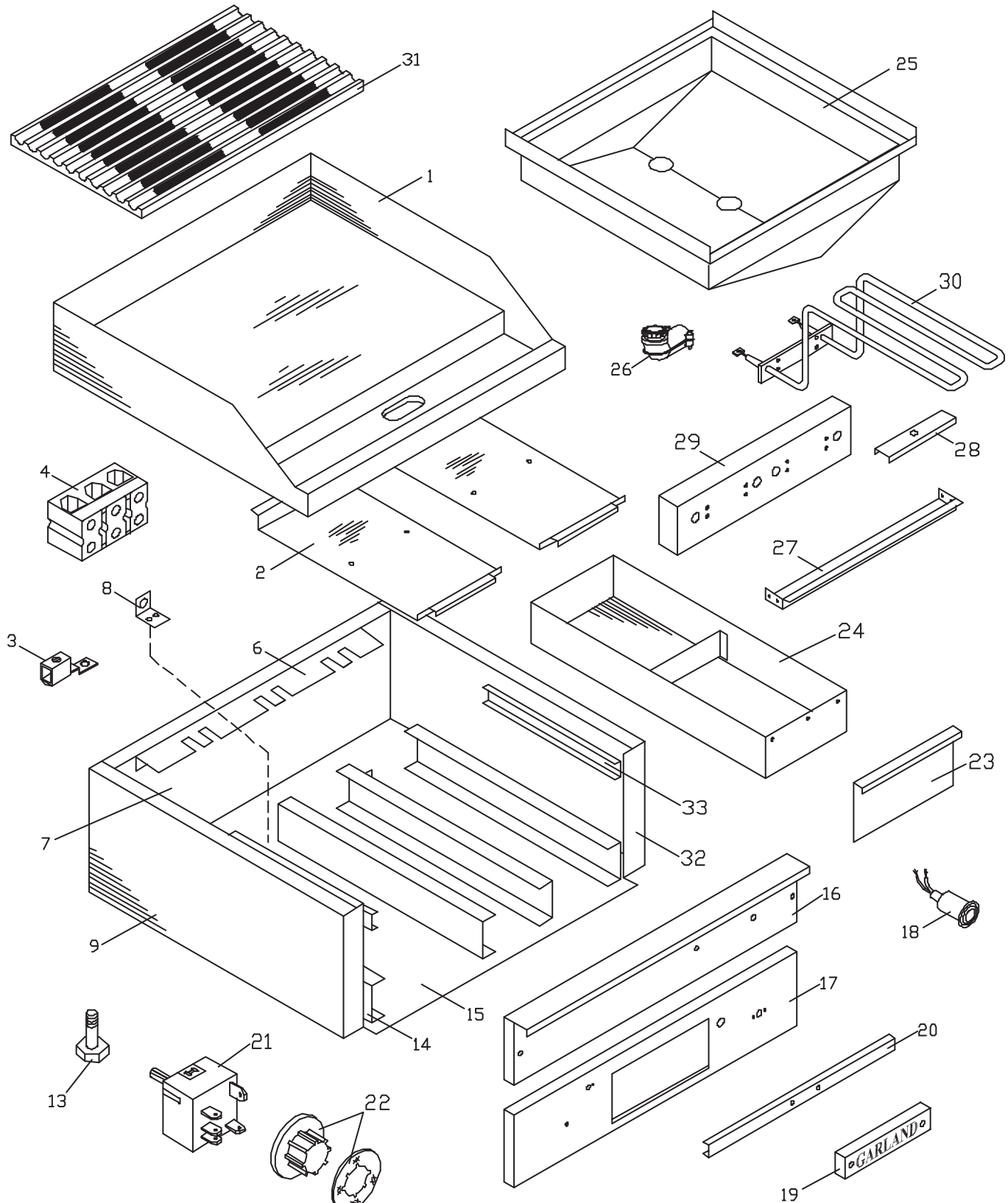
#### E22 Series

ITEM	PART #	DESCRIPTION	MODEL				CRITICAL
			QUANTITY				
			HW1000	HW1000D	HW1300	HW1300D	
1	1472206	Insulation 13 3/8 x 9 1/2 x 1	2	2	2	2	
2	G0677-01-9	Tank Assembly Less Drain	1		1		
	G0677-02-9	Tank Assembly C/W Drain Hole		1		1	
3	1472207	Insulation 21 1/2 x 7 x 1	2	2	2	2	
4	F302	Element Hold Down Clip	4	4	4	4	
5	<b>G0569-1</b>	<b>Element 120V,1 KW</b>	1	1			C
	<b>G0569-2</b>	<b>Element 208V,1 KW</b>	1	1	1	1	C
	<b>G0569-3</b>	<b>Element 240V,1 KW</b>	1	1			C
	<b>G0569-4</b>	<b>Element 208V,1.3 KW</b>			1	1	C
6	F301	Element Clamp	2	2	2	2	
7*	2173000	#10 Ball Chain F/Hot Well		1		1	
	2173001	#10-AD.193 Ball Chain Coupling		1		1	
8*	G01485-1	Split Ring #121-194		2		2	
9*	G0702-1	Drain Plug S/S		1		1	
10	G0701-1	S/S Drain		1		1	
11	G0705-1	Drain Gasket 1 1/4 OD x 7/8 ID		1		1	
12	G0693-1	Drain Clamp		1		1	
13	G01483-1	1/2" Malleable Iron Hex Locknut		1		1	
14	G0753-01-6	Element Pan Assembly	1	1	1	1	
15	G0681-1-7	Food Well Body	2	2	2	2	
16	<b>G0695-1</b>	<b>Thermostat EA5 150F TO 450F</b>	1	1	1	1	C
17	<b>G02716-1</b>	<b>Dial - (Universal) Small Shaft</b>	1	1	1	1	
	<b>G02725-13</b>	<b>Dial Insert (OFF/1/10) All Purpose</b>	1	1	1	1	
18	G01296-2	Pilot Amber	1	1	1	1	
19	G0722-1-7	Anchor Plate	1	1	1	1	
20	G0720-1-7	Main Bottom	1		1		
	G0720-2-7	Main Bottom		1		1	
21	1472307	Insulation 21 1/2 x 13 3/8 x 2	1	1	1	1	
22	G01488-1	Heyco Bushing -Straight Thru SR-4K1	1	1	1	1	
23*	G01501-1	Tape ADH 84"	1	1	1	1	
24*	G01572-2	Conduit Locknut 1/2 NPT		1		1	
25	G01590-1-8	Element Pan Baffle	1	1	1	1	
26*	2635500	Handle - #P49-1500-6	2	2	2	2	

NOTE: TANK DRAIN WELDED AFTER 1997

\* NOT ILLUSTRATED

#### **RECOMMENDED STOCK PARTS**



## GARLAND PARTS IDENTIFICATION

Char Broilers Models E22-12B, E22-24B, E22-36B And E22-36BM

E22 Series

ITEM	PART #	DESCRIPTION	MODEL				CRITICAL
			QUANTITY				
			E22-12B	E22-24B	E22-36B	E22-36BM	
1	G0908-012-8	Main Top Assembly	1				
	G0908-024-8	Main Top Assembly		1			
	G0908-036-8	Main Top Assembly			1		
	G01616-040-8	Main Top Assembly				1	
2	G0915-01-6	Terminal Box Cover Assembly	1				
	G0909-01-6	Terminal Box Cover Assembly		2			
	G0909-02-6	Terminal Box Cover Assembly			1	1	
3	<a href="#">G01500-1</a>	Ground Terminal 55AMP	1	1	1	1	
4	<a href="#">2147300</a>	Terminal Block 3 Circuit	1	1	1	1	
5*	<a href="#">G2689-1-6</a>	Banking Plate	2	2	2	2	
6	G0922-12-9	Grease Diverter	1				
	G0855-24-9	Grease Diverter		1			
	G0884-36-9	Grease Diverter			1	1	
7	G0905-012-8	Main Back Assembly	1				
	G0905-012-9	Main Back Assembly	1				
	G0905-024-8	Main Back Assembly		1			
	G0905-024-9	Main Back Assembly		1			
	G0905-036-8	Main Back Assembly			1	1	
	G0905-036-9	Main Back Assembly			1	1	
8	G2687-1-7	Cable Support		2			
9	<a href="#">G2606-01-82</a>	Body Side Assembly L/H – Painted					
	<a href="#">G2606-01-92</a>	Body Side Assembly L/H – SS	1	1	1	1	
10*	G01495-1	Flexible Conduit 3/8		1			
11*	<a href="#">1029600</a>	Antishorts #1		4			
12*	<a href="#">G01497-1</a>	Bx Connector Straight 3/8"		2			
13	<a href="#">F157</a>	Leveling Bolt-3/8-16x1 1/16"	4	4	4	4	
14	G2652-1-7	Grease Pan Support	2	4	4	4	
15	G0914-1-7	Main Bottom	1				
	G0846-1-7	Main Bottom		1			
	G0886-1-7	Main Bottom			1	1	
16	G0852-012-9	Upper Front Panel Assembly	1				
	<a href="#">G0852-024-9</a>	Upper Front Panel Assembly		1			
	G0852-036-9	Upper Front Panel Assembly			1	1	
17	G0916-12-9	Upper Front Panel	1				
	G0853-1-9	Upper Front Panel		1			
	<a href="#">G0883-36-9</a>	Upper Front Panel			1	1	
18	<a href="#">G01296-3</a>	Pilot Green	1	2	3	3	
19	<a href="#">3077101</a>	Garland Nameplate 4 7/8"	1	1	1	1	
20	G0946-1-7	Support Channel		1	1	1	
21	<a href="#">G03185-2</a>	<b>Infinite Switch-240 Volt</b>	1	2	3	3	C
22	<a href="#">G02716-1</a>	<b>Dial - (Universal) Small Shaft</b>	1	2	3	3	
	<a href="#">G02725-4</a>	<b>Dial Insert (OFF/MIN/2-6/MAX)</b>	1	2	3	3	
23	<a href="#">G2654-1-9</a>	Grease Pan Front	1	1	2	2	
24	<a href="#">G2653-1-8</a>	Grease Pan	1	1	2	2	
25	G0920-01-8	Grease Hopper Assembly	1				
	G0865-01-8	Grease Hopper Assembly		1			
	G0879-01-8	Grease Hopper Assembly			1	1	
26	<a href="#">1028500</a>	Connector 3/8" 90 DEG. Romex	1	2	3	3	

\* NOT ILLUSTRATED

**RECOMMENDED STOCK PARTS**

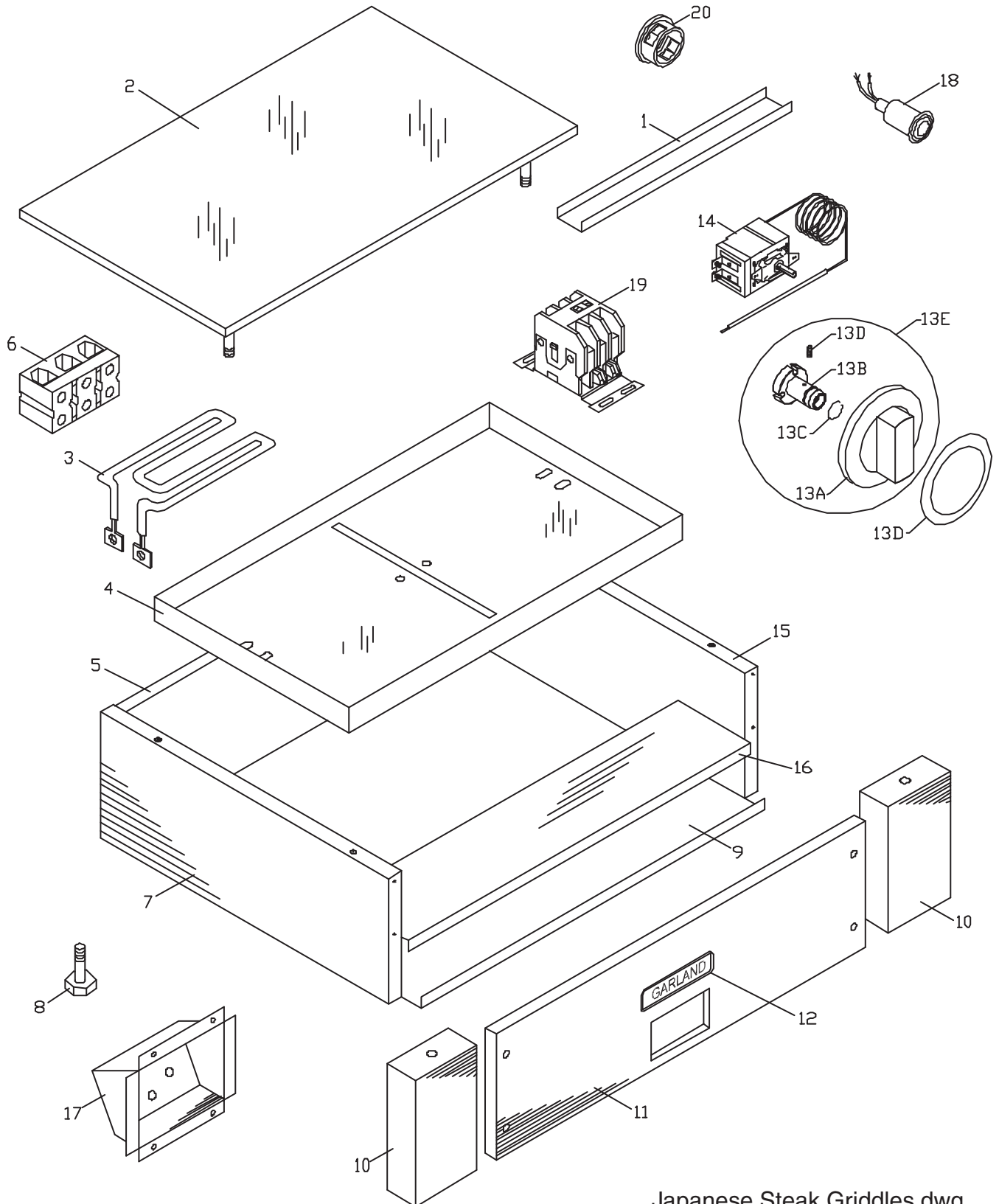
**GARLAND PARTS IDENTIFICATION**  
**Char Broilers Models E22-12B, E22-24B, E22-36B And E22-36BM**  
**E22 Series**

ITEM	PART #	DESCRIPTION	MODEL				CRITICAL
			QUANTITY				
			E22-12B	E22-24B	E22-36B	E22-36BM	
27	G0847-1-71	Element Terminal Box Cover		1	2	2	
	G0847-1-72	Element Terminal Box Cover	1	1	1	1	
28	<a href="#">G0857-1-9</a>	Element Clamp	6	12	18	18	
29	G0848-1-7	Terminal Box	1	2	3	3	
30	<a href="#">G0875-1</a>	<b>Element Broiler 240V,1.35KW</b>	2	4	6	6	C
	<a href="#">G0875-2</a>	<b>Element Broiler 208V,1.35KW</b>	2	4	6	6	C
	<a href="#">G0875-4</a>	<b>Element Broiler 220V,1.35KW</b>	2	4	6	6	C
31	<a href="#">G0844-1</a>	Broiler Grate	1	2	3	3	
32	<a href="#">G2606-01-81</a>	Body Side Assembly R/H – Painted	1	1	1	1	
	<a href="#">G2606-01-91</a>	Body Side Assembly R/H – SS	1	1	1	1	
33	G0900-01-8	Slide Assembly	2	2	2	2	

\* NOT ILLUSTRATED

**RECOMMENDED STOCK PARTS**

**NOTES**



Japanese Steak Griddles.dwg

**GARLAND PARTS IDENTIFICATION**  
**Japanese Steak Griddles Models**  
**E22-36-36GM,-45GM, -48GM, -56GM, -60GM, -68GM And -72GM**  
**E22 Series**

ITEM	PART #	DESCRIPTION	MODEL						CRITICAL
			QUANTITY						
			E22-36-45GM	E22-36-48GM	E22-36-56GM	E22-36-60GM	E22-36-68GM	E22-36-72GM	
1	G01884-1-6	Element Clamp	4	4	4	4	4	4	
	G2395-2-9	Element Clamp	4	4	4	4	4	4	
2	G03382-045-8	Griddle Assembly 'Japanese'	1						
	G0711-045-8	Griddle Assembly	1						
	G03383-048-8	Griddle Assembly 'Japanese'		1					
	G0881-048-8	Griddle Assembly		1					
	G03382-056-8	Griddle Assembly 'Japanese'			1				
	G0711-056-8	Griddle Assembly			1				
	G03383-060-8	Griddle Assembly 'Japanese'				1			
	G0881-060-8	Griddle Assembly				1			
	G03382-068-8	Griddle Assembly 'Japanese'					1		
	G0711-068-8	Griddle Assembly					1		
	G03383-072-8	Griddle Assembly 'Japanese'						1	
G0881-072-8	Griddle Assembly						1		
3	<b>G01816-1</b>	<b>Element 208V,3350W From 7/01/83</b>	2	2	2	2	2	2	C
	<b>G01816-2</b>	<b>Element 240V,3350W From 7/01/83</b>	2	2	2	2	2	2	C
	<b>G01816-3</b>	<b>Element 220V,3350W From 7/01/83</b>	2	2	2	2	2	2	C
4	3088400	Element Cove	1	1	1	1	1	1	
5	G2671-036-8	Main Back Assembly	1	1	1	1	1	1	
	G2671-036-9	Main Back Assembly	1	1	1	1	1	1	
6	2147300	Terminal Block 3 Circuit	1	1	1	1	1	1	
7	G2606-02-82	Body Side Assembly	1	1	1	1	1	1	
	G2606-02-92	Body Side Assembly	1	1	1	1	1	1	
8	F157	Leveling Bolt-3/8-16 x 1/16"	4	4	4	4	4	4	
9	G0714-01-7	Main bottom Assembly	1	1	1	1	1	1	
10	G0882-45-9	End Filler	2						
	G0882-48-9	End Filler		2					
	G0882-56-9	End Filler			2				
	G0882-60-9	End Filler				2			
	G0882-68-9	End Filler					2		
G0882-72-9	End Filler						2		
11	G0715-1-9	Front Panel	1	1	1	1	1	1	
12	3077101	Garland Nameplate 4 7/8"	1	1	1	1	1	1	
13A	3043100	<b>Dial</b>	1	1	1	1	1	1	
13B	3043207	<b>Knob Hub</b>	1	1	1	1	1	1	
13C	3043300	<b>Retaining Spring</b>	1	1	1	1	1	1	
13D	2138800	<b>Dial Insert Degrees F</b>	1	1	1	1	1	1	
	2138001	<b>Dial Insert Degrees C</b>	1	1	1	1	1	1	
13E	4512224	<b>Dial Kit - Item Includes: 13A, 13B, 13C</b>							
14	3088500	<b>Griddle Control - Thermostat</b>	1	1	1	1	1	1	C

\* NOT ILLUSTRATED

**RECOMMENDED STOCK PARTS**

**GARLAND PARTS IDENTIFICATION**  
**Japanese Steak Griddles Models**  
**E22-36-36GM,-45GM, -48GM, -56GM, -60GM, -68GM And -72GM**  
**E22 Series**

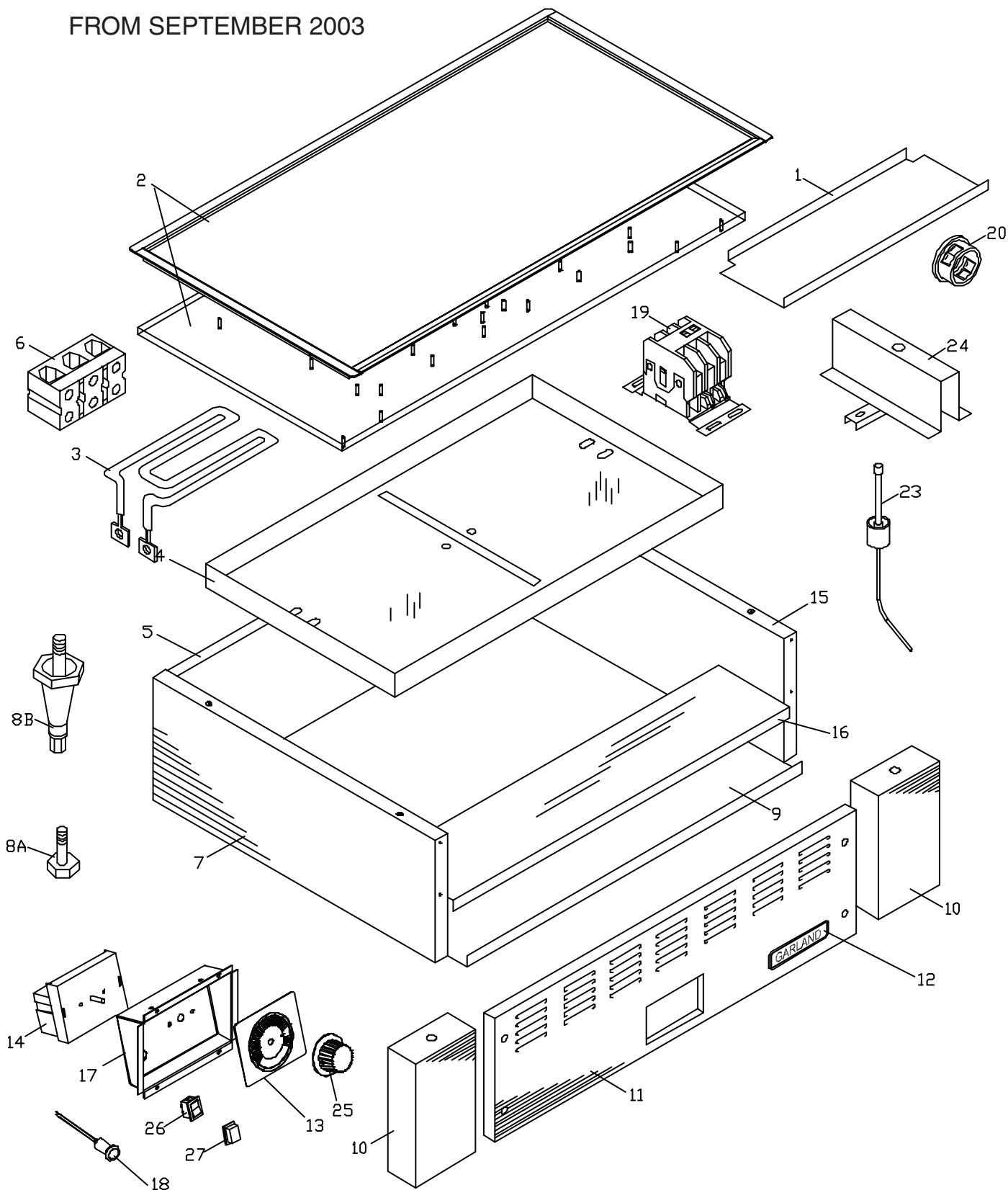
ITEM	PART #	DESCRIPTION	MODEL						CRITICAL
			QUANTITY						
			E22-36-45GM	E22-36-48GM	E22-36-56GM	E22-36-60GM	E22-36-68GM	E22-36-72GM	
15	G2606-02-81	Body Side Assembly	1	1	1	1	1	1	
	G2606-02-91	RT Body Side SS	1	1	1	1	1	1	
16	G0713-01-7	Switch Cover Assembly	1	1	1	1	1	1	
17	G0716-1-9	Thermostat Housing	1	1	1	1	1	1	
18	<a href="#">G01296-2</a>	Pilot Amber	1	1	1	1	1	1	
19	<a href="#">1489701</a>	<b>Contactor 3 Pole 208/240V 40A</b>	1	1	1	1	1	1	C
20	<a href="#">G01487-2</a>	Heyco Bush. 13/8 X17/8 #2300	1	1	1	1	1	1	
21*	<a href="#">2525900</a>	Wireway	1	1	1	1	1	1	
22*	<a href="#">G01500-1</a>	Ground Terminal 55 Amp	1	1	1	1	1	1	
23*	<a href="#">G01849-1-6</a>	Bulb Channel	1	1	1	1	1	1	
24*	<a href="#">G01851-01-6</a>	Bulb Clamp Assembly	1	1	1	1	1	1	

\* NOT ILLUSTRATED

**RECOMMENDED STOCK PARTS**

**NOTES**

FROM SEPTEMBER 2003



Japanese Steak Griddles (Sept 2003)

## GARLAND PARTS IDENTIFICATION

### Japanese Steak Griddles Models

**E22-36-36GMX,-45GMX, -48GMX, -56GMX, -60GMX, -68GMX And -72GMX**

**E22 Series**

**Manufacturing Start From September 2003**

ITEM	PART #	DESCRIPTION	MODEL							CRITICAL
			QUANTITY							
			E22-36-36GMX	E22-36-45GMX	E22-36-48GMX	E22-36-56GMX	E22-36-60GMX	E22-36-68GMX	E22-36-72GMX	
1	<a href="#">G01884-1-6</a>	Element Clamp	4	4	4	4	4	4	4	
2	<a href="#">G03383-036-8</a>	Griddle Assembly 'Japanese'	1							
	<a href="#">4519150</a>	Fry Top Assembly 36GMX (With Flange)	1							
	<a href="#">G03382-045-8</a>	Griddle Assembly 'Japanese'		1						
	<a href="#">4517762</a>	Fry Top Assembly 45GMX (With Flange)		1						
	<a href="#">G03383-048-8</a>	Griddle Assembly 'Japanese'			1					
	<a href="#">4516411</a>	Fry Top Assembly (With Flange)			1					
	<a href="#">G03382-056-8</a>	Griddle Assembly 'Japanese'				1				
	<a href="#">4517763</a>	Fry Top Assembly 56GMX (With Flange)				1				
	<a href="#">G03383-060-8</a>	Griddle Assembly 'Japanese'					1			
	<a href="#">4517764</a>	Fry Top Assembly 60GMX (With Flange)					1			
3	<a href="#">G03382-068-8</a>	Griddle Assembly 'Japanese'						1		
	<a href="#">4517765</a>	Fry Top Assembly 68GMX (With Flange)						1		
	<a href="#">G03383-072-8</a>	Griddle Assembly 'Japanese'							1	
	<a href="#">4517766</a>	Fry Top Assembly 72GMX (With Flange)							1	
3	<a href="#">G01816-1</a>	<b>Element 208V, 3350W From 7/01/83</b>	2	2	2	2	2	2	2	C
	<a href="#">G01816-2</a>	<b>Element 240V, 3350W From 7/01/83</b>	2	2	2	2	2	2	2	C
	<a href="#">G01816-3</a>	<b>Element 220V, 3350W From 7/01/83</b>	2	2	2	2	2	2	2	C
4	<a href="#">3088400</a>	Element Cover	1	1	1	1	1	1	1	
5	<a href="#">G2671-036-8</a>	Main Back Assembly	1	1	1	1	1	1	1	
	<a href="#">G2671-036-9</a>	Main Back Assembly SS	1	1	1	1	1	1	1	
6	<a href="#">2147300</a>	Terminal Block 3 Circuit	1	1	1	1	1	1	1	
7	<a href="#">G2606-02-82</a>	Body Side Assembly	1	1	1	1	1	1	1	
	<a href="#">G2606-02-92</a>	Body Side Assembly SS	1	1	1	1	1	1	1	
8A	<a href="#">F157</a>	Leveling Bolt-3/8-16X1 1/16"	4	4	4	4	4	4	4	
8B	<a href="#">078109-2</a>	4" Adjustable Metal Leg	4	4	4	4	4	4	4	
9	<a href="#">G0714-01-7</a>	Main bottom Assembly	1	1	1	1	1	1	1	
10	<a href="#">G0882-45-9</a>	End Filler	2	2						
	<a href="#">G0882-48-9</a>	End Filler			2					
	<a href="#">G0882-56-9</a>	End Filler				2				
	<a href="#">G0882-60-9</a>	End Filler					2			
	<a href="#">G0882-68-9</a>	End Filler						2		
11	<a href="#">G0715-2-9</a>	Front Panel	1	1	1	1	1	1	1	
12	<a href="#">3077101</a>	Garland Name Plate 4 7/8"	1	1	1	1	1	1	1	
13	<a href="#">4516966</a>	Dial Scale 250-500F	1	1	1	1	1	1	1	
	<a href="#">4516967</a>	Dial Scale 120-260C	1	1	1	1	1	1	1	

\* NOT ILLUSTRATED

^ PHOTO AT THE END

**RECOMMENDED STOCK PARTS**

## GARLAND PARTS IDENTIFICATION

### Japanese Steak Griddles Models

**E22-36-36GMX, -45GMX, -48GMX, -56GMX, -60GMX, -68GMX And -72GMX**

**E22 Series**

**Manufacturing Start From September 2003**

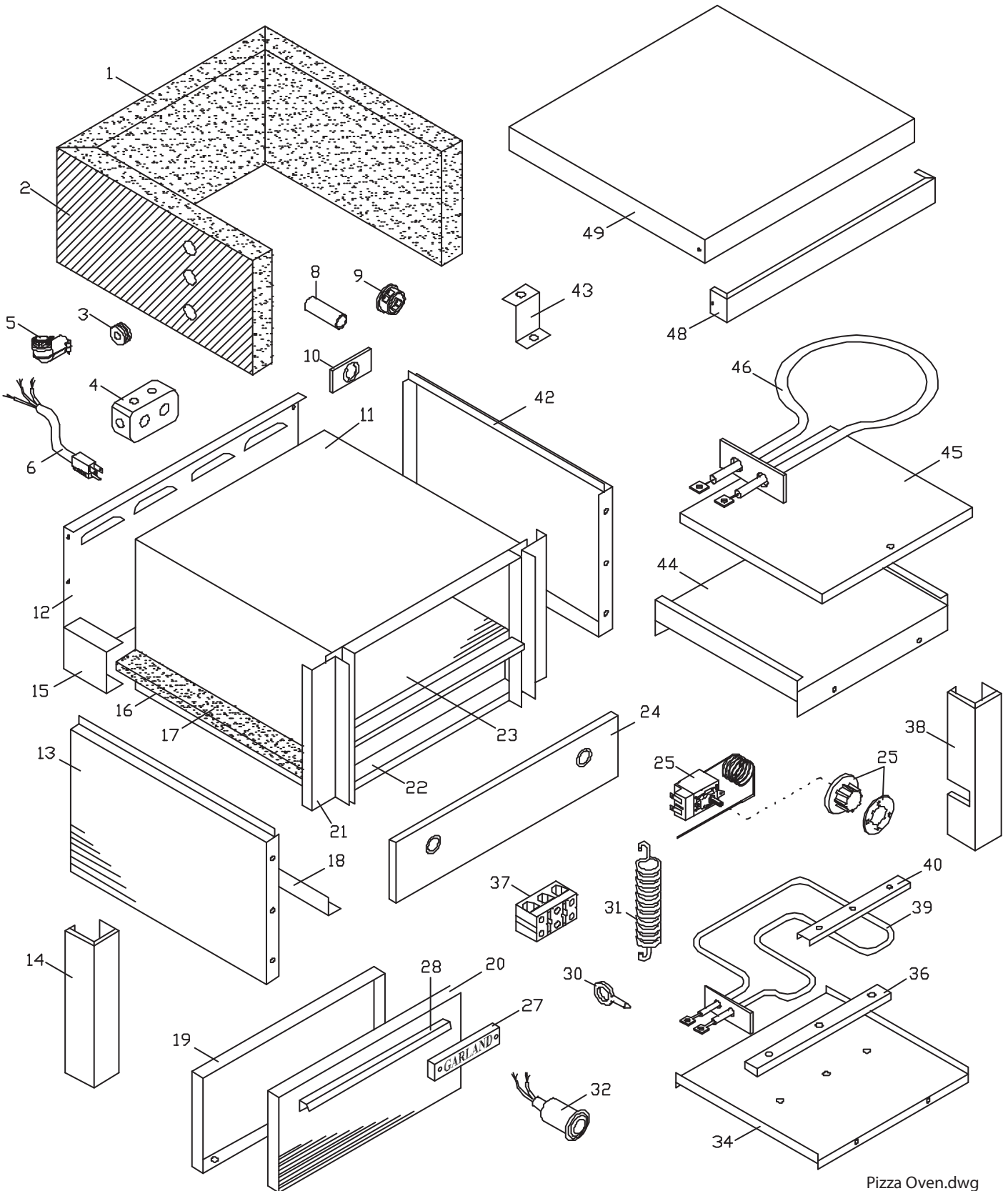
ITEM	PART #	DESCRIPTION	MODEL							CRITICAL	
			QUANTITY								
			E22-36-36GMX	E22-36-45GMX	E22-36-48GMX	E22-36-56GMX	E22-36-60GMX	E22-36-68GMX	E22-36-72GMX		
14^	<a href="#">2432002</a>	<b>Electronic Thermostat 250-500F</b>	1	1	1	1	1	1	1	1	C
15	G2606-02-81	Body Side Assembly	1	1	1	1	1	1	1	1	
	G2606-02-91	RT Body Side SS	1	1	1	1	1	1	1	1	
16	G0713-01-7	Switch Cover Assembly	1	1	1	1	1	1	1	1	
17	<a href="#">4516964</a>	Control Mount	1	1	1	1	1	1	1	1	
18	<a href="#">G01296-2</a>	<b>Pilot Amber</b>	1	1	1	1	1	1	1	1	
19	<a href="#">1489701</a>	<b>Contactor 3 Pole 208/240V 40A</b>	1	1	1	1	1	1	1	1	C
20	<a href="#">G01487-2</a>	Heyco Bush. 13/8 X17/8 #2300	1	1	1	1	1	1	1	1	
21*	<a href="#">2525900</a>	Wireway	1	1	1	1	1	1	1	1	
22*	<a href="#">G01500-1</a>	Ground Terminal 55AMP	1	1	1	1	1	1	1	1	
23^	<a href="#">2423501</a>	<b>J Type Thermocouple, Bayonet Mount</b>	1	1	1	1	1	1	1	1	C
24	G01851-03-6	Bulb Clamp Assembly	1	1	1	1	1	1	1	1	
25	<a href="#">4516733</a>	Dial With Pointer	1	1	1	1	1	1	1	1	
26^	<a href="#">2423300</a>	Switch SPST (Power)	1	1	1	1	1	1	1	1	
27^	<a href="#">2423400</a>	Protection Cap – Power Switch	1	1	1	1	1	1	1	1	

\* NOT ILLUSTRATED

^ PHOTO AT THE END

**RECOMMENDED STOCK PARTS**

**NOTES**



Pizza Oven.dwg

**GARLAND PARTS IDENTIFICATION**  
**Pizza Oven Models E22-22P AND E22 -22PP**  
**E22 Series**

ITEM	PART #	DESCRIPTION	MODEL		CRITICAL
			QUANTITY		
			E22-22P	E22-22PP	
1	1472309	Insulation 19 x 12 x 2	3	3	
2	G2806-1-7	Insulating Shield	1	1	
3	G01487-1	PDQ Bushing	3	3	
4	G0355-1	Surface Utility Box-Temco		1	
	G0355-2	Blank Steel Plate		1	
5	1028500	Connector 3/8" 90 Deg. Romex		2	
6	G2841-1	Cord & Plug SJT 3/14 15 AMP		1	
	G2842-1	Cord & Plug SJT 3/14 20 AMP		1	
7*	G01497-1	Bx Connector Straight 3/8"		1	
8	G2802-1-8	Vent	1	1	
9	1028802	Heyco Bushing	2	2	
10	F153	Clip Push On Tinn #C895-020-27			
11	G2798-1-6	Oven Body	1	1	
12	G2817-1-8	Main Back	1	1	
	G2817-1-9	Main Back	1	1	
13	G2819-1-82	Body Side L/H	1	1	
	G2819-1-92	Body Side L/H S/S	1	1	
14	G2811-1-92	Front Column L/H	1	1	
15	G2818-01-81	Support Assembly R/H	1	1	
	G2818-01-82	Support Assembly L/H	1	1	
16	G2807-1-7	Insulating Bottom	1	1	
17	1472308	Insulation 19 x 19 x 2	2	2	
18	G2803-1-8	Bulb Guard	1	1	
19	G2813-01-6	Door Lining Assembly	1	1	
20	G2815-1-9	Door Panel	1	1	
21	G2788-01-8	Front Frame Assembly	1	1	
22	G2808-01-7	Switch Guard Assembly	1	1	
23	G2799-1-6	Oven Bottom & Back	1	1	
24	G2810-1-9	Switch Panel	1	1	
25	<b>G2823-1</b>	<b>Thermostat G4</b>	1	1	C
	<b>G02716-1</b>	<b>Dial - (Universal) Small Shaft</b>	1	1	C
	<b>G02725-10</b>	<b>Dial Insert (OFF/150C/370C)</b>	1	1	C
	<b>G02725-18</b>	<b>Dial Insert (OFF/300F/700F)</b>	1	1	C
26*	G2812-1-8	Door Trunion	1	1	
27	3077101	Garland Nameplate 4 7/8"	1	1	
28	G2822-1-8	Handles 15 1/2" LONG	1	1	
29*	G070-1-8	Spacer	4	4	
30	G01498-1	Eyebolt 10-24x1.5 Eye ID 9/16	1	1	
31	G1504	Spring	1	1	
32	<b>G01296-2</b>	<b>Pilot Amber</b>	1	1	
33*	<b>2127100</b>	<b>Timer 15 Minutes</b>	1	1	C
	<b>2127200</b>	<b>15 Minute Face Plate</b>	1	1	C
	<b>2127400</b>	<b>Dial Knob #RB-67-2A-SK-7-M</b>	1	1	
34	G2800-1-6	Shelf Oven	1	1	
35*	G01500-1	Ground Terminal 55AMP	1		
36	G2804-1-6	Element Spacer	2	2	
37	2147300	Terminal Block 3 Circuit	1		
38	G2811-1-91	Front Column R/H	1	1	

\* NOT ILLUSTRATED

**RECOMMENDED STOCK PARTS**

**GARLAND PARTS IDENTIFICATION**  
**Pizza Oven Models E22-22P AND E22 -22PP**  
**E22 Series**

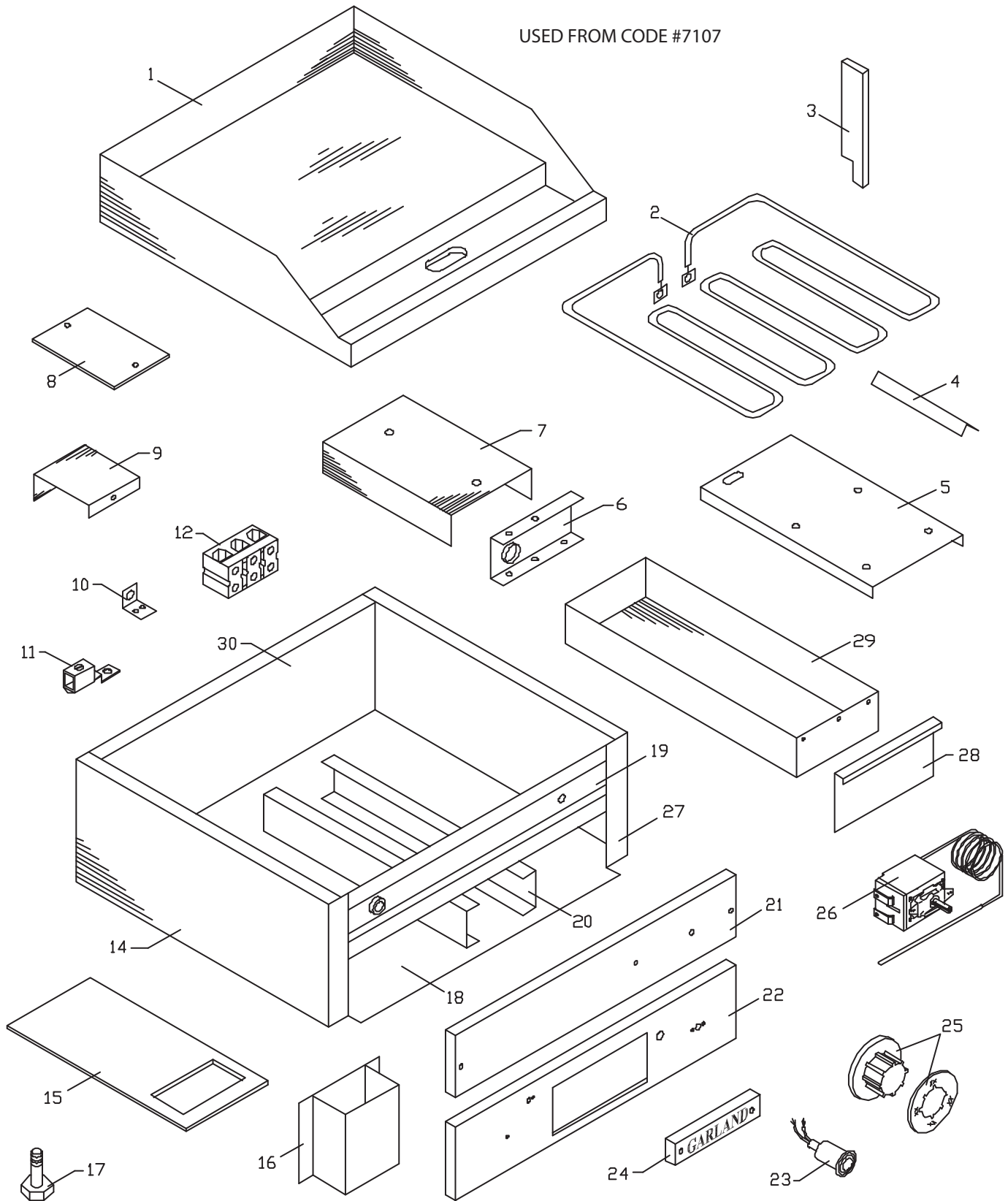
ITEM	PART #	DESCRIPTION	MODEL		CRITICAL
			QUANTITY		
			E22-22P	E22-22PP	
39	<b>G2772-01</b>	<b>Element Bottom 240V,1.3KW</b>	1	1	C
	<b>G2772-02</b>	<b>Element Centre 240V,900W</b>	1	1	C
	<b>G2772-03</b>	<b>Element Bottom 120V,750W</b>		1	C
	<b>G2772-04</b>	<b>Element Centre 120V,600W</b>		1	C
	<b>G2772-06</b>	<b>Element Bottom 208V,1.3KW</b>	1	1	C
	<b>G2772-07</b>	<b>Element Centre 208V,900W</b>	1	1	C
40	G2690-1-9	Clamp	2	2	
41*	G2821-1-6	Element Clamp Cover	2	2	
42	G2819-1-81	Body Side R/H	1	1	
	G2819-1-91	Body Side R/H SS	1	1	
43*	G2820-1-6	Shelf Support	2	2	
44	G2801-01-6	Element Cover Assembly	2	2	
45	G2805-2	Hearth Coreplate N.L.A.	2	2	
46	<b>G2773-01</b>	<b>Element Upper 240V,400W</b>	1	1	C
	<b>G2773-02</b>	<b>Element Upper 120V,300W</b>		1	C
	<b>G2773-03</b>	<b>Element Upper 208V,400W</b>	1	1	C
47*	G1830-1-6	Capillary Clip	2	2	
48	G2824-1-9	Top Trim Strip	1	1	
49	G2816-01-8	Main Top Assembly			

\* NOT ILLUSTRATED

**RECOMMENDED STOCK PARTS**

## **NOTES**

USED FROM CODE #7107



Griddles Code 7107.dwg.

## GARLAND PARTS IDENTIFICATION

Griddles Models E22-18G, E22-24G AND E22-36G From Code #7107

### E22 Series

ITEM	PART #	DESCRIPTION	MODEL			CRITICAL
			QUANTITY			
			E22-18G	E22-24G	E22-36G	
1	G01882-018-8	Griddle Assembly	1			
	G01881-024-8	Griddle Assembly		1		
	G01880-036-8	Griddle Assembly			1	
2	<b>G01787-1</b>	<b>Element 208V, 4KW</b>	1			C
	<b>G01787-2</b>	<b>Element 240V, 4KW</b>	1			C
	<b>G01816-1</b>	<b>Element 208V, 3350W</b>		2	3	C
	<b>G01816-2</b>	<b>Element 240V, 3350W</b>		2	3	C
	<b>G01816-3</b>	<b>Element 220V, 3350W</b>		2	3	C
3	G2402-1-5	Top Support Prop	1	1	1	
4	G01891-1-6	Bulb Clamp	1	2	3	
5	G01885-1-6	Element Clamp	2			
	G01884-1-6	Element Clamp		4	6	
6	G01887-01-7	Wire Way Channel Assembly	1	1	1	
7	G01888-1-7	Terminal Box Cover	1	1	1	
8	G01924-1-7	Terminal Box Heat Shield	1			
	G01925-1-7	Terminal Box Heat Shield		1	1	
9	G01890-1-7	Control & Pilot Baffle	2	2	3	
10	G01930-01-7	Wireway Assembly	1	1	2	
11	G01500-1	Ground Terminal 55AMP	1			
	G01499-1	Ground Terminal 105A Large SLU-70		1	1	
12	2147300	Terminal Block 3 Circuit	1	2	2	
13*	G2689-1-6	Banking Plate	2	2	2	
14	G2606-01-82	Body Side Assembly L/H – Painted	1	1	1	
	G2606-01-92	Body Side Assembly L/H – S/S	1	1	1	
15	G01889-1-7	Grease Box Cover	1	1	1	
16	G2744-01-6	Drain Chute Assembly	1	1	1	
17	F157	Leveling Bolt-3/8-16x1 1/16"	4	4	4	
18	G02068-18-7	Main Bottom	1			
	G02068-24-7	Main Bottom		1		
	G02068-36-7	Main Bottom			1	
19	G2670-018-7	Switch Cover Assembly	1			
	G2686-024-7	Switch Cover Assembly		1		
	G2685-036-7	Switch Cover Assembly			1	
20	G2652-1-7	Grease Pan Support	1	1	1	
21	G2669-18-9	Upper Front Panel	1			
	G2656-24-9	Upper Front Panel		1		
	G2684-36-9	Upper Front Panel			1	
22	G2657-18-9	Lower Front Panel	1			
	G2657-24-9	Lower Front Panel		1		
	G2657-36-9	Lower Front Panel			1	
23	<b>G01296-2</b>	<b>Pilot Amber</b>	1	2	3	C
24	3077101	Garland Nameplate 4 7/8"	1	1	1	
25	<b>G02716-1</b>	<b>Dial - (Universal) Small Shaft</b>	1	2	3	C
	<b>G02725-19</b>	<b>Dial Insert (OFF/100F/450F) Griddle F</b>	1	2	3	C
	<b>G02725-11</b>	<b>Dial Insert (OFF/40C/230C) Griddle Celsius</b>	1	2	3	C
26	<b>G2674-1</b>	<b>Thermostat G1 150F TO 450F</b>	1	2	3	C
27	G2606-01-81	Body Side Assembly R/H – Painted	1	1	1	
	G2606-01-91	Body Side Assembly R/H – S/S	1	1	1	
28	G2654-1-9	Grease Pan Front	1	1	1	
29	G2653-1-8	Grease Pan	1	1	1	

\* NOT ILLUSTRATED

#### RECOMMENDED STOCK PARTS

**GARLAND PARTS IDENTIFICATION**

**Griddles Models E22-18G, E22-24G AND E22-36G From Code #7107**

**E22 Series**

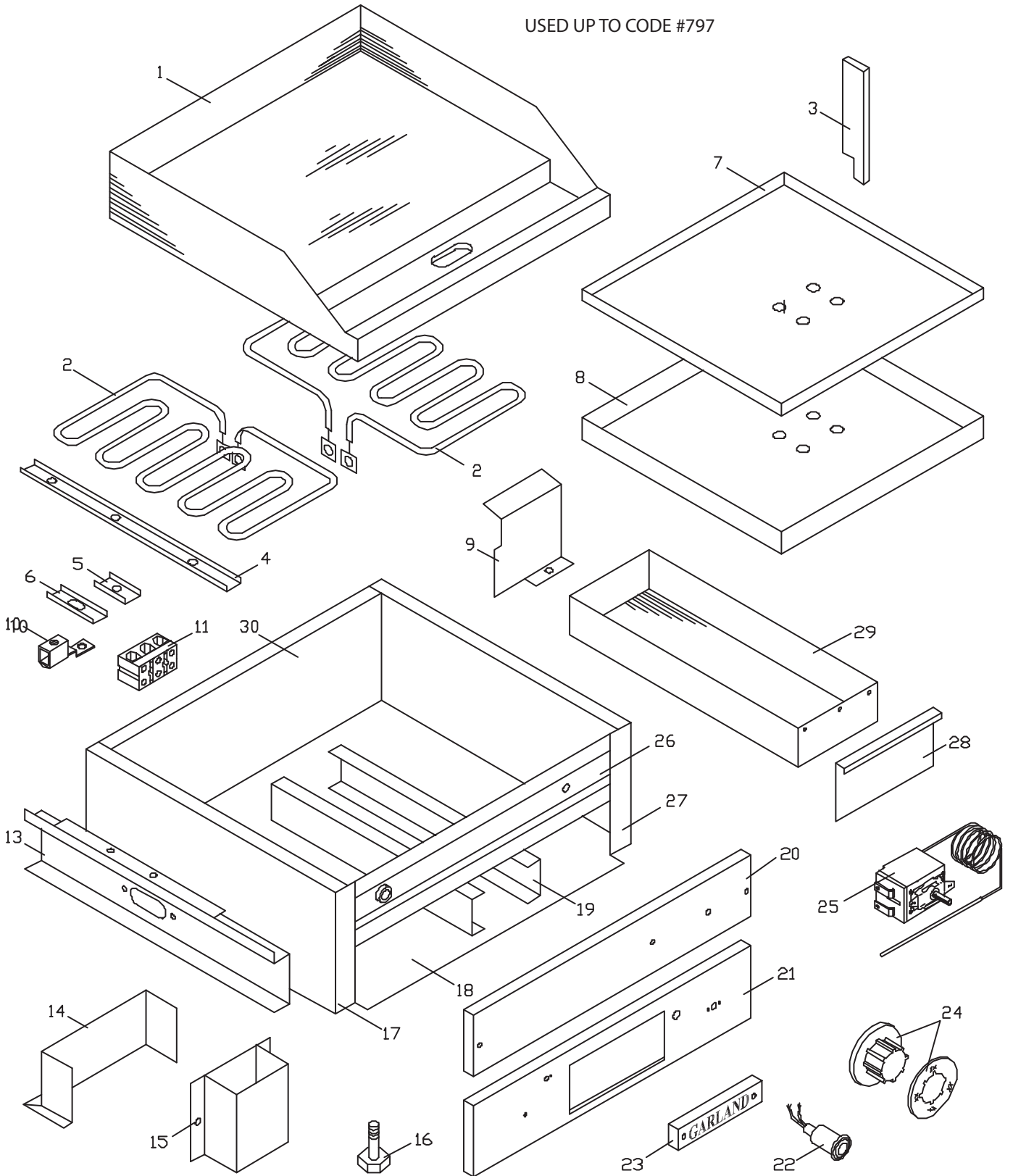
ITEM	PART #	DESCRIPTION	MODEL			CRITICAL
			QUANTITY			
			E22-18G	E22-24G	E22-36G	
30	G2671-018-8	Main Back Assembly	1			
	G2671-018-9	Main Back Assembly	1			
	G2671-024-8	Main Back Assembly		1		
	G2671-024-9	Main Back Assembly		1		
	G2671-036-8	Main Back Assembly			1	
	G2671-036-9	Main Back Assembly			1	

\* NOT ILLUSTRATED

**RECOMMENDED STOCK PARTS**

**NOTES**

USED UP TO CODE #797



Griddles Code 797.dwg

## GARLAND PARTS IDENTIFICATION

Griddles Models E22-18G, E22-24G AND E22-36G Used Up To Code #797

### E22 Series

ITEM	PART #	DESCRIPTION	MODEL			CRITICAL
			QUANTITY			
			E22-18G	E22-24G	E22-36G	
1	G2664-018-8	Fryer Top Assembly N.L.A.	1			
	G2675-06-8	Fryer Top Assembly N.L.A.		1		
	G2675-05-8	Fryer Top Assembly N.L.A.			1	
2	<b>G1713-1</b>	<b>Griddle Element 240V</b>	2			C
	<b>G1713-2</b>	<b>Griddle Element 208V</b>	2			C
	<b>G2679-1</b>	<b>Element 208V, 3.35KW</b>		2	3	C
	<b>G2679-2</b>	<b>Element 240V, 3.35KW</b>		2	3	C
3	G2402-1-5	Top Support Prop	1	1	1	
4	G2395-2-9	Element Clamp	2	2	3	
5	G1705-1-9	Element Clamp Short	4		2	
6	<b>G1705-2-9</b>	Element Clamp Long		6	8	
7	G2668-1-6	Element Baffle N.L.A.	1			
	G2683-24-6	Element Baffle N.L.A.		1		
	G2681-36-6	Element Baffle N.L.A.			1	
8	G2667-1-6	Element Cover N.L.A.	1			
	G2682-24-6	Element Cover N.L.A.		1		
	G2680-36-6	Element Cover N.L.A.			1	
9	G2615-1-7	Terminal Protection Box N.L.A.	1	1	1	
10	<b>G01500-1</b>	Ground Terminal 55AMP	1	1	1	
11	<b>2147300</b>	Terminal Block 3 Circuit	1	1	1	
12*	<b>G2689-1-6</b>	Banking Plate	2	2	2	
13	G2617-01-7	Wire Way Assembly	1	2	2	
14	G2655-1-7	Grease Pan Guard - N.L.A.	1	1	1	
15	<b>G2744-01-6</b>	Drain Chute Assembly	1	1	1	
16	<b>F157</b>	Leveling Bolt-3/8-16X1 1/16" Leg	4	4	4	
17	<b>G2606-01-82</b>	Body Side Assembly L/H – Painted	1	1	1	
	<b>G2606-01-92</b>	Body Side Assembly L/H – S/S	1	1	1	
18	G2651-18-7	Main Bottom	1			
	G2651-24-7	Main Bottom		1		
	G2651-36-7	Main Bottom			1	
19	G2652-1-7	Grease Pan Support	2	2	2	
20	G2669-18-9	Upper Front Panel	1			
	G2656-24-9	Upper Front Panel		1		
	G2684-36-9	Upper Front Panel			1	
21	G2657-18-9	Lower Front Panel	1			
	<b>G2657-24-9</b>	Lower Front Panel		1		
	<b>G2657-36-9</b>	Lower Front Panel			1	
22	<b>G01296-2</b>	<b>Pilot Amber</b>	1	2	3	
23	<b>3077101</b>	Garland Nameplate 4 7/8"	1	1	1	
24	<b>G02716-1</b>	<b>Dial - (Universal) Small Shaft</b>	1	2	3	
	<b>G02725-19</b>	<b>Dial Insert (OFF/100F/450F) Griddle F</b>	1	2	3	
	<b>G02725-11</b>	<b>Dial Insert (OFF/40C/230C) Griddle Celsius</b>	1	2	3	
25	<b>G2674-1</b>	<b>Thermostat G1 150F TO 450F</b>	1	2	3	C
26	G2670-18-7	Switch Cover	1			
	G2686-24-7	Switch Cover		1		
	G2685-36-7	Switch Cover			1	
27	<b>G2606-01-81</b>	Body Side Assembly R/H – Painted	1	1	1	
	<b>G2606-01-91</b>	Body Side Assembly R/H – S/S	1	1	1	
28	<b>G2654-1-9</b>	Grease Pan Front	1	1	1	
29	<b>G2653-1-8</b>	Grease Pan	1	1	1	

\* NOT ILLUSTRATED

#### RECOMMENDED STOCK PARTS

**GARLAND PARTS IDENTIFICATION**

**Griddles Models E22-18G, E22-24G AND E22-36G Used Up To Code #797**

**E22 Series**

ITEM	PART #	DESCRIPTION	MODEL			CRITICAL
			QUANTITY			
			E22-18G	E22-24G	E22-36G	
30	G2671-018-8	Main Back Assembly	1			
	G2671-018-9	Main Back Assembly	1			
	G2671-024-8	Main Back Assembly		1		
	G2671-024-9	Main Back Assembly		1		
	G2671-036-8	Main Back Assembly			1	
	G2671-036-9	Main Back Assembly			1	

\* NOT ILLUSTRATED

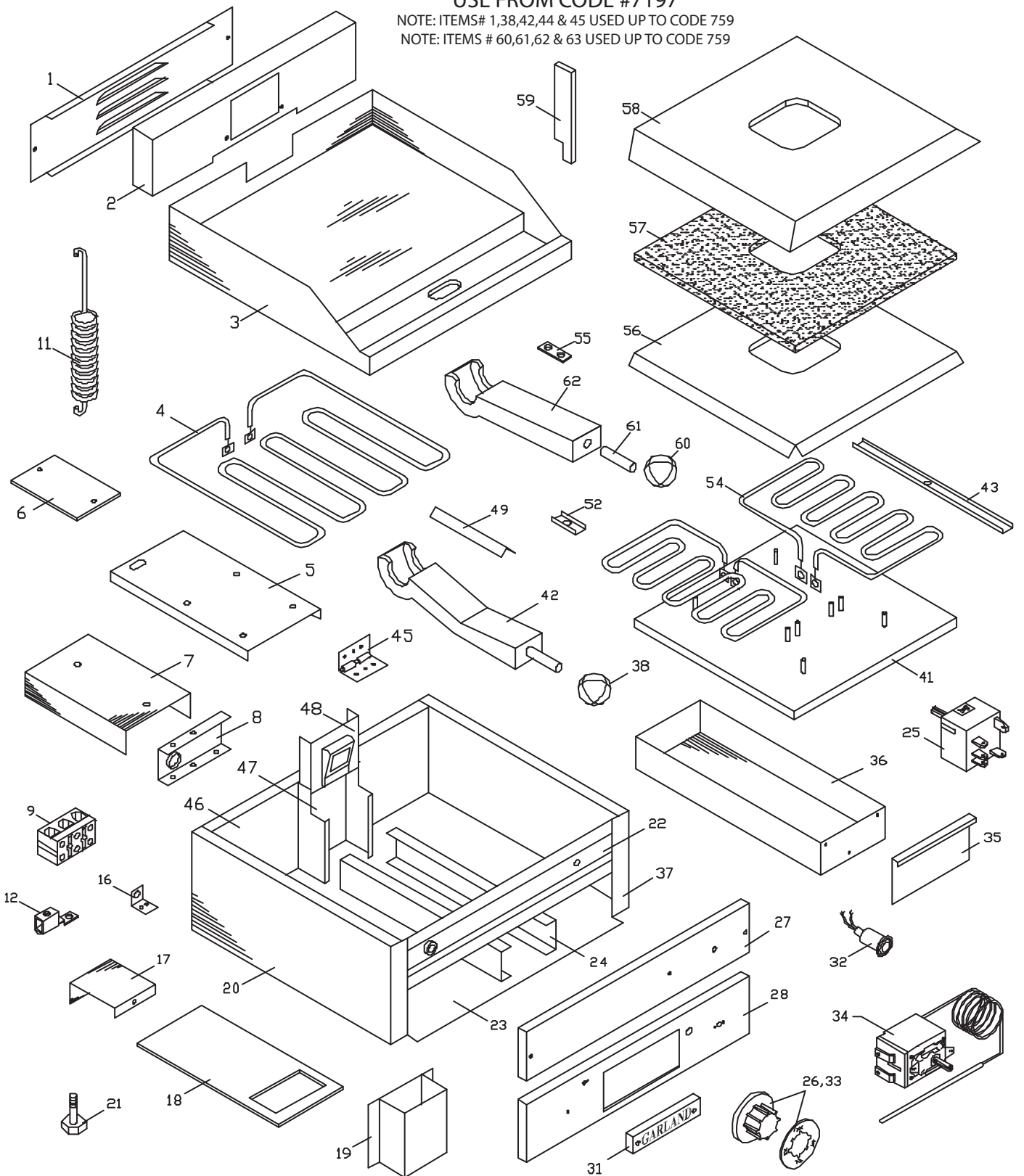
**RECOMMENDED STOCK PARTS**

## **NOTES**

USE FROM CODE #7197

NOTE: ITEMS# 1,38,42,44 & 45 USED UP TO CODE 759

NOTE: ITEMS # 60,61,62 & 63 USED UP TO CODE 759



Sandwich Griddle Code 7107.dwg

**GARLAND PARTS IDENTIFICATION**  
**Sandwich Griddle Model E22-18SG Used From Code # 7107**

**E22 Series**

ITEM	PART #	DESCRIPTION	MODEL	CRITICAL
			QUANTITY E22-18SG	
1	G2660-1-8	Backguard Back N.L.A. Used up to code 759	1	
2	G2659-1-9	Backguard	1	
3	G01883-018-8	Griddle Assembly	1	
4	<b>G01879-1</b>	<b>Element 208V, 3KW</b>	1	C
	<b>G01879-2</b>	<b>Element 240V, 3KW</b>	1	C
5	G01886-1-6	Element Clamp	2	
6	G01924-1-7	Terminal Box Heat Shield	1	
7	<b>G01888-1-7</b>	Terminal Box Cover	1	
8	G01887-01-7	Wire Way Channel Assembly	1	
9	G01269-1	Terminal Block (Use <b>2147300</b> )	1	
10*	G1768-1	Adjusting Bolt - N.L.A.	1	
11	<b>G1740-1</b>	Spring For E22-18SG	2	
12	<b>G01500-1</b>	Ground Terminal 55AMP	1	
13*	G01480-1-8	Square Nut Steel Raw N.L.A.	1	
14*	G2776-1-8	Spring Tension Slide	1	
15*	<b>G2689-1-6</b>	Banking Plate	2	
16	G01930-01-7	Wireway Assembly	2	
17	G01890-1-7	Control & Pilot Baffle	1	
18	G01889-2-7	Grease Box Cover	1	
19	<b>G2744-01-6</b>	Drain Chute Assembly	1	
20	<b>G2606-01-82</b>	Body Side Assembly L/H – Painted	1	
	<b>G2606-01-92</b>	Body Side Assembly L/H – S/S	1	
21	<b>F157</b>	Leveling Bolt-3/8-16x1 1/16"	4	
22	G2658-01-7	Switch Cover Assembly	1	
23	G02068-18-7	Main Bottom	1	
24	G2652-1-7	Grease Pan Support	2	
25	<b>G03185-2</b>	<b>Infinite Switch-240 Volt</b>	1	C
26	<b>G02716-1</b>	<b>Dial - (Universal) Small Shaft</b>	1	
	<b>G02725-4</b>	<b>Dial Insert (OFF/MIN/2-6/MAX)</b>	1	
27	G2656-18-9	Upper Front Panel	1	
28	G2657-18-9	Lower Front Panel	1	
29*	<b>G1555-4</b>	Top I.D Plate	1	
30*	<b>G1555-3</b>	Bottom I.D. Plate	1	
31	<b>3077101</b>	Garland Nameplate 4 7/8"	1	
32	<b>G01296-2</b>	<b>Pilot Amber</b>	2	
33	<b>G02716-1</b>	<b>Dial - (Universal) Small Shaft</b>	1	
	<b>G02725-19</b>	<b>Dial Insert (OFF/100F/450F) Griddle F</b>	1	
	<b>G02725-11</b>	<b>Dial Insert (OFF/40C/230C) Griddle Celsius</b>	1	
34	<b>G2674-1</b>	<b>Thermostat G1 150F TO 450F</b>	1	C
35	<b>G2654-1-9</b>	Grease Pan Front	1	
36	<b>G2653-1-8</b>	Grease Pan	1	
37	<b>G2606-01-81</b>	Body Side Assembly R/H – Painted	1	
	<b>G2606-01-91</b>	Body Side Assembly R/H – S/S	1	
38	<b>G1744-1</b>	Broiler Rack Knob 5/8-18 THRD. Used up to code 759	1	
40*	G1707-1	Handle Bolt 1/4-28 (N.L.A.)	1	
41	G2661-01-8	Top Griddle Plate Assembly	1	
42	G1745-1	Top Plate Handle - N.L.A. Used up to code 759	1	
43	G2690-1-9	Clamp	2	

\* NOT ILLUSTRATED

**RECOMMENDED STOCK PARTS**

**GARLAND PARTS IDENTIFICATION**  
**Sandwich Griddle Model E22-18SG Used From Code # 7107**

**E22 Series**

ITEM	PART #	DESCRIPTION	MODEL	CRITICAL
			QUANTITY	
			E22-18SG	
44*	G1759-1-8	Stop Hinge - N.L.A. Used up to code 759	1	
45	G1738-1	Hinge Used up to code 759	1	
46	G2650-01-8	Main Back Assembly	1	
	G2650-01-9	Main Back Assembly / Stainless Steel	1	
47	G2774-01-8	Spring Housing Assembly	1	
48	G1734-1	Backguard Casting Check/Grind	1	
49	G01891-1-6	Bulb Clamp	1	
50*	CUTTINGS	Insulation 1 x 3 X 27	1	
51*	G1824-1-6	Wool Retainer	1	
52	G1705-1-9	Element Clamp Short	6	
53*	G1706-1	Terminal Guard Casting	1	
54	<b>G1708-1</b>	<b>Element 240V, 1.5KW</b>	2	C
	<b>G1708-2</b>	<b>Element 208V, 1.5KW</b>	2	C
55	<a href="#">G01574-1</a>	Buss Bar 5/16 x 7/8	4	
56	G2663-1-6	Shield Upper	1	
57	G1755-2	Insulation 12.250 x 11.250	1	
58	G2662-1-9	Element Cover Upper	1	
59	<a href="#">G2402-3-5</a>	Top Support Prop	1	

**Used Up To Code 759**

60	<a href="#">G1744-1</a>	<b>Broiler Rack Knob 5/8-18 THRD.</b>	1	
61	G02353-2-8P	Handle Shaft Plated	1	
62	G02356-01-9	Handle Assembly	1	
63*	G02354-1-8	Backguard Back	1	

**Kits Available**

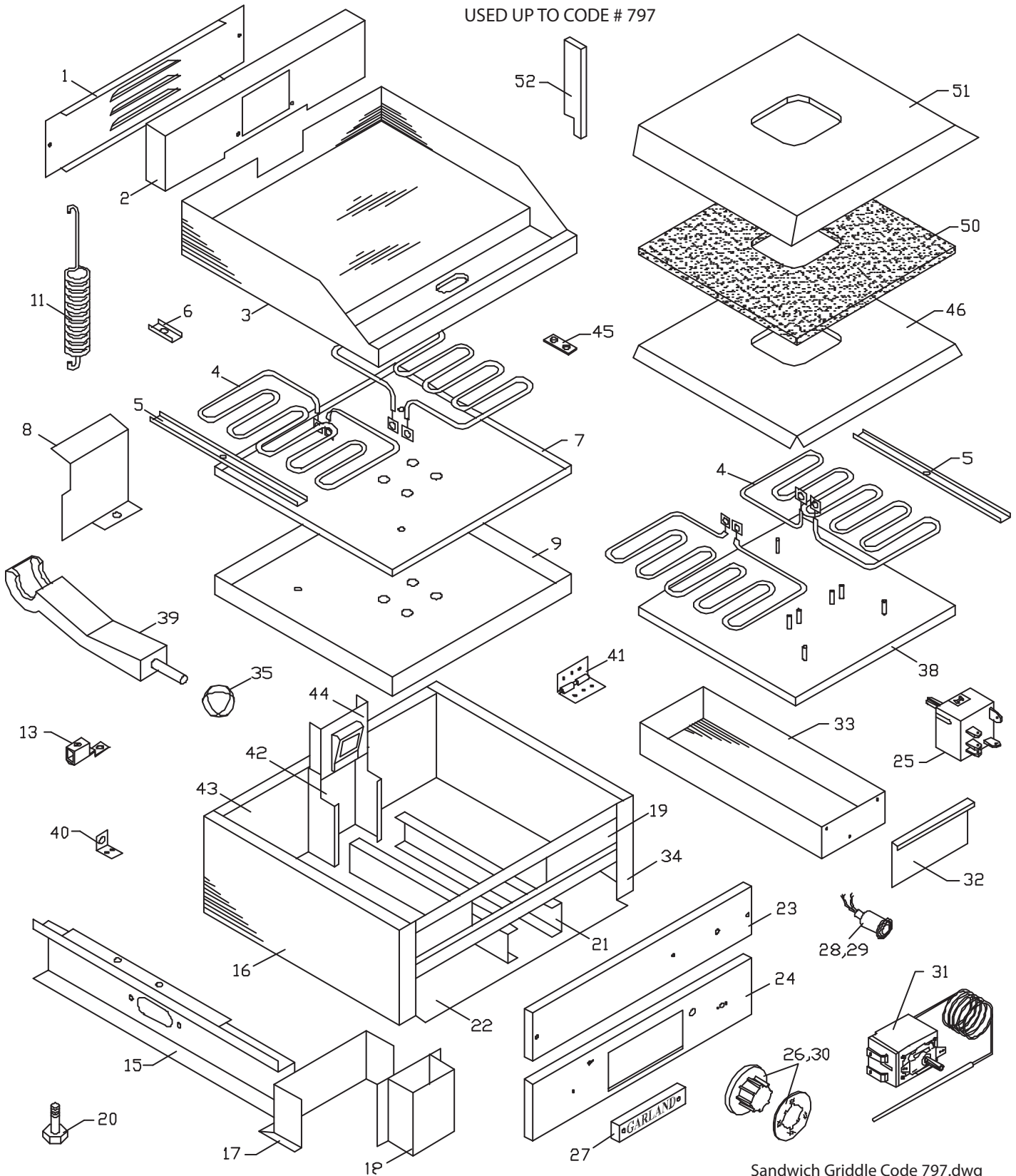
64*	CK156	Handle Kit E22-18SG	1	
-----	-------	---------------------	---	--

\* NOT ILLUSTRATED

**RECOMMENDED STOCK PARTS**

## **NOTES**

USED UP TO CODE # 797



Sandwich Griddle Code 797.dwg

**GARLAND PARTS IDENTIFICATION**  
**Sandwich Griddle Model E22-18SG Used Up To Code # 797**

**E22 Series**

ITEM	PART #	DESCRIPTION	MODEL	CRITICAL
			QUANTITY	
			E22-18SG	
1	G2660-1-8	Backguard Back N.L.A.	1	
2	G2659-1-9	Backguard	1	
3	G2644-01-8	Griddle Assembly - N.L.A.	1	
4	<b>G1708-1</b>	<b>Element 240V,1.5KW</b>	1	C
	<b>G1708-2</b>	<b>Element 208V,1.5KW</b>	1	C
5	G2690-1-9	Clamp	2	
6	G1705-1-9	Element Clamp Short	1	
7	G2649-1-6	Element Baffle N.L.A.	1	
8	G2615-1-7	Terminal Protection Box N.L.A.	1	
9	G2648-1-6	Element Cover - N.L.A.	1	
10*	G1768-1	Adjusting Bolt - N.L.A.	1	
11	G1740-1	Spring For E22-18SG	2	
12*	G2776-1-8	Spring Tension Slide	1	
13	G01500-1	Ground Terminal 55AMP	1	
14*	G2689-1-6	Banking Plate	1	
15	G2617-01-7	Wire Way Assembly	2	
16	G2606-01-82	Body Side Assembly L/H – Painted	2	
	G2606-01-92	Body Side Assembly L/H – S/S	1	
17	G2655-1-7	Grease Pan Guard - N.L.A.	1	
18	G2744-01-6	Drain Chute Assembly	1	
19	G2658-1-7	Switch Cover	1	
20	F157	Leveling Bolt-3/8-16x1 1/16"	1	
21	G2652-1-7	Grease Pan Support	4	
22	G2651-18-7	Main Bottom	1	
23	G2656-18-9	Upper Front Panel	1	
24	G2657-18-9	Lower Front Panel	2	
25	G03185-2	Infinite Switch-240 Volt	1	
26	<b>G02716-1</b>	<b>Dial - (Universal) Small Shaft</b>	1	
	<b>G02725-4</b>	<b>Dial Insert (OFF/MIN/2-6/MAX)</b>	1	
27	3077101	Garland Nameplate 4 7/8"	1	
28	<b>G01296-2</b>	<b>Pilot Amber</b>	1	
29	G01296-2	Pilot Amber	1	
30	<b>G02716-1</b>	<b>Dial - (Universal) Small Shaft</b>	1	
	<b>G02725-19</b>	<b>Dial Insert (OFF/100F/450F) Griddle F</b>	1	
	<b>G02725-11</b>	<b>Dial Insert (OFF/40C/230C) Griddle Celsius</b>	2	
31	<b>G2674-1</b>	<b>Thermostat G1 150F TO 450F</b>	1	C
32	G2654-1-9	Grease Pan Front	1	
33	G2653-1-8	Grease Pan	1	
34	G2606-01-81	Body Side Assembly R/H – Painted	1	
	G2606-01-91	Body Side Assembly R/H – S/S	1	
35	G1744-1	Broiler Rack Knob 5/8-18 THRD.	1	
37*	G1707-1	Handle Bolt 1/4-28 (N.L.A.)	1	
38	G2661-01-8	Top Griddle Plate Assembly	1	
39	G1745-1	Top Plate Handle - N.L.A.	1	
40	G1759-1-8	Stop Hinge - N.L.A.	1	
41	G1738-1	Hinge	1	
42	G2774-01-8	Spring Housing Assembly	1	
43	G2650-018-8	Main Back Assembly	2	
	G2650-018-9	Main Back Assembly	1	
44	G1734-1	Backguard Casting Check/Grind	1	
45	G01574-1	Buss Bar 5/16 x7/8	1	
46	G2663-1-6	Shield Upper	1	

\* NOT ILLUSTRATED

**RECOMMENDED STOCK PARTS**

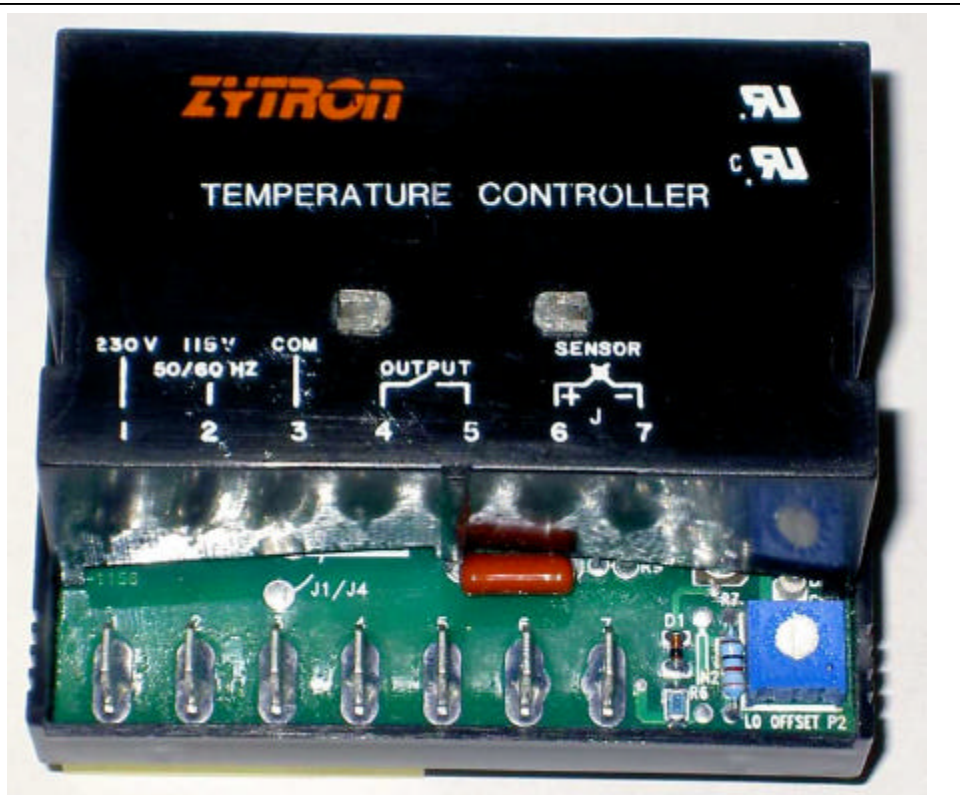
**GARLAND PARTS IDENTIFICATION**  
**Sandwich Griddle Model E22-18SG Used Up To Code # 797**

**E22 Series**

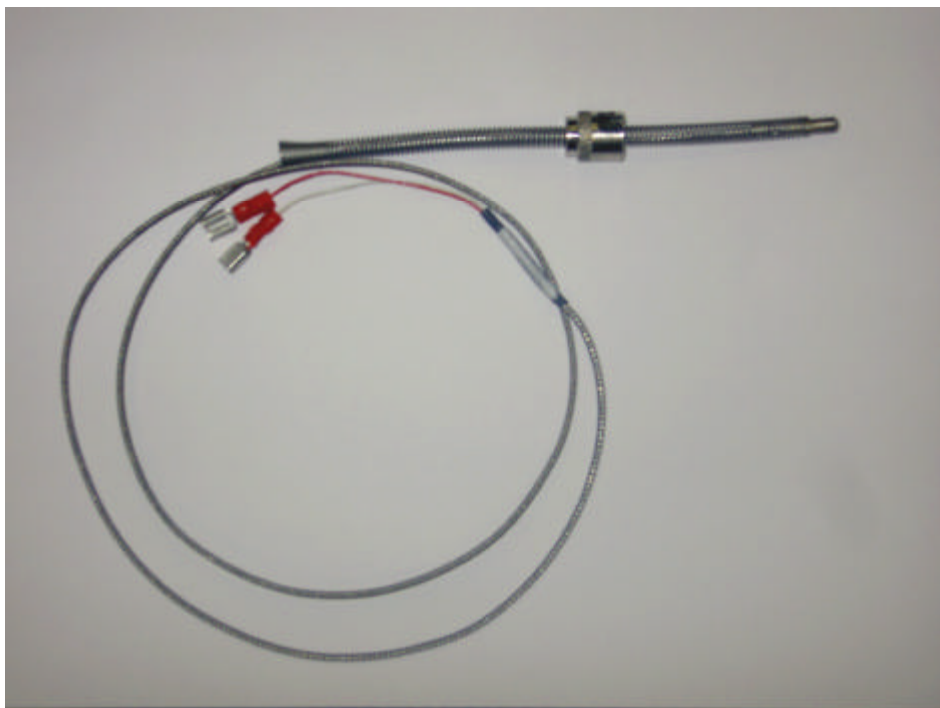
ITEM	PART #	DESCRIPTION	MODEL	CRITICAL
			QUANTITY	
			E22-18SG	
47*	G1706-1	Terminal Guard Casting	1	
48*	CUTTINGS	Insulation 1 x 3 x 27	1	
49*	G1824-1-6	Wool Retainer	1	
50	G1755-2	Insulation 12.250 x 11.250	1	
51	G2662-1-9	Element Cover Upper	1	
52	<a href="#">G2402-3-5</a>	Top Support Prop	6	

\* NOT ILLUSTRATED

**RECOMMENDED STOCK PARTS**



Electronic Thermostat 250-500F  
Part # [2432002](#)



J Type Thermocouple, Bayonet Mount  
Part # [2423501](#)



Switch SPST (Power)  
Part # [2423300](#)



Protection Cap - Power Switch  
Part # [2423400](#)

## GARLAND PARTS IDENTIFICATION

### Revision History

REV. #	PAGE #	ITEM #	NOTE	DATE
2	23,24,25		New Japanese Steak Griddles Model Manufacturing Start From September 2003	Jan 20/04
3	10,27,39		New Drawing	Feb. 18/04
	29	36	Part Description Added	
	33,37	26,25	Asterisk Deleted	
	40,41		Used to Codes Added	
	44	31	Asterisk Deleted	
4	22,23,24		New Model Added E22-36-36GMX	Feb/04/05
5	23	14	Digital Photo Footnote Added	Jun 17/05
	24	23		
	46		Digital Photo Added	
6			Book Reformatted	Sep 01/05
	22,24	27	Part Number Added	
	46		New Photos	
7	5,7,9,15,19	11,13,21,13,8	Description Changed	Jan 2/07
		14,21,17,19,12	Part Number Changed – Was <a href="#">1902919</a>	
	18, 22		New Drawing	
	19	13	Part # <a href="#">2138700</a> Deleted – New Knob Part Numbers Added	
	23	8A, 12	Description Changed	
		8B	New Part Number	
	27,31,35,39,43	27,24,23,31,37	Part Number Changed – Was <a href="#">1902919</a>	
31,35,39,43	17,16,21, 20	Description Changed		
8	10	34	Part Number Changed - was ( <a href="#">G2840-1</a> Cord & Plug 3/14 Wire 15A)	Jul 17/08
	Parts List		Critical Column Added	

 **Garland**<sup>®</sup>