



Giles Enterprises, Inc.

An ISO 9001-2008 Registered Company • Committed to Quality
2750 Gunter Park Drive West • Montgomery, AL 36109 USA
Phone: 334.272.1457 • Fax: 334.239.4117 • Website: www.gfse.com
Toll Free: 800.554.4537 (USA & Canada Only)








LIMITED WARRANTY

- Subject to the terms and conditions of this Limited Warranty as herein stated, all Giles Enterprises, Inc., Foodservice Equipment and parts purchased new from an authorized Giles Enterprises, Inc., representative are warranted as to defects in material or workmanship for a period of 24 months from the date of installation, provided, however, that with regard to labor costs in connection with this warranty, see below. All installations must be made by a qualified installing agency in accordance with all applicable codes and/or regulations in the jurisdiction in which installed. Limited warranty coverage is extended to the original owner only and is void if the unit is resold.
- During the Limited Warranty period, Giles Enterprises, Inc. will replace or recondition, at its factory, any part or parts of this unit which Giles Enterprises, Inc. inspectors judge defective, provided the unit has been subjected to normal usage, properly installed, operated and serviced. This Limited Warranty does not cover cosmetic damage, and damage due to acts of God, accident, misuse, alteration, negligence, abuse of the Giles Foodservice Equipment or the use of unorthodox repair methods. All parts replaced under this Limited Warranty carry only the unexpired term of this Limited Warranty. Limited Warranty service may be furnished only by an authorized Giles Enterprises, Inc., representative.
- If Limited Warranty service is requested, Giles Enterprises, Inc., will send factory-authorized service representatives to repair, recondition, replace or inspect units of its manufacture with such labor being rendered without cost to owner for 24 months from the date of installation. Otherwise, service, including labor and transportation charges or other expenses, in connection with the removal or installation of any part or parts supplied under this Limited Warranty, are specified on the original sales contract between the purchaser and the authorized Giles Enterprises, Inc., representative.
- Giles Enterprises, Inc. reserves the right to change or improve its equipment and parts in any way without obligation to alter such equipment or parts previously manufactured.
- Giles Enterprises, Inc. makes no further warranties, express or implied including implied warranties of merchantability or fitness for a particular purpose, and has no other obligation or liability not specifically stated herein.
- Repair or replacement as provided under this limited warranty is the exclusive remedy. Giles Enterprises, Inc., shall not be liable for any incidental or consequential damages for breach of any express or implied warranty on this product, except to the extent prohibited by applicable law. Any implied warranty of merchantability or fitness for a particular purpose on this product is limited in duration to the duration of this limited warranty.
- Used Giles Enterprises, Inc., Foodservice Equipment or parts or Giles Enterprises, Inc., Foodservice Equipment or parts not purchased from an authorized Giles Enterprises, Inc., representative, carry no warranties, express or implied.



Safety	v
Safety Overview	v
Specific Safety Precautions	vi
1. Introduction	1
1-01. Construction	1
1-02. Standard Features	1
1-03. Optional Features	1
1-04. Specifications	2
1-04.1. Overall Dimensions	2
1-04.2. Regulatory Listings	3
1-04.3. Hood Weights	3
2. Installation	4
2-01. Unpacking	4
2-02. Location	5
2-02.1. Clearance to Combustibles	6
2-03. Cooking Appliance Limitations & Clearances	7
2-04. Electrical Requirements	8
2-04.1. Electrical Connections	9
2-04.2. Hood & Appliance Wiring Configurations	10
2-04.2.1. Connection w/Hood & Appliance on same Circuit	10
2-04.2.2. Connection w/ 380-480V Appliance Power Separate from 208-240V Hood Power	11
2-04.2.3. Connection w/120V to 480V Appliance Power Separate from 208-240V Hood Power using Remote Shunt Trip Device	12
2-05. Air Baffle Installation	13
2-06. Final Countertop Installation	14
3. Overview	15
3-01. Control Panel	16
3-02. Hood Front & Filter Chamber	18
3-03. Accessories (Standard)	20
3-04. Accessories (Optional)	21



4.	Operation & Filter Maintenance	23
4-01.	Hood Operation	23
4-01.1.	Starting the Hood (Regular)	23
4-01.2.	Starting the Hood (ILS Model)	23
4-02.	Hood Filter System	24
4-02.1.	Ventless Hood Filter Table	24
4-02.2.	Filter Removal, Baffle, EAC, Charcoal	25
4-02.3.	Filter Installation, Baffle, EAC, Charcoal Filter Installation	26
4-02.4.	Charcoal or Baffle Filter Missing	26
4-02.5.	EAC Filter Missing	26
4-02.6.	EAC Filter Status	27
4-03.	Filter Maintenance	27
4-03.1.	Baffle Filter Cleaning	27
4-03.2.	EAC Filter Cleaning	28
4-03.3.	Charcoal Filter Maintenance	28
4-04.	Filter Alarm Chart	29
5.	Hood Cleaning and Maintenance	31
5.01.	Monthly Interlock Check	31
5-02.	Hood Cleaning	32
5-02.1.	Weekly Cleaning	32
5-02.2.	Quarterly Cleaning	32
5-03.	Maintenance and Service Log	33
6.	Troubleshooting	35
6-01.	Troubleshooting Procedures	35
7.	Parts List	37
7-01.	Parts Ordering and Service Information	37
7-02.	Rear Electrical Components	38
7-03.	Hood Front, Filter & Fan Compartment	40

Safety

Safety Overview

The instructions contained in this manual have been prepared to aid you in learning the proper procedures for installing and servicing the OVH-10-C Counter-Top Hood.

Throughout this manual, safety precautions are identified through the use of safety alert symbols and three key words: **DANGER, WARNING** and **CAUTION**. All safety alert information will precede the step(s) to which it applies. Suggested, recommended, or otherwise noteworthy information is identified through the use of **NOTES**. Additionally, certain words are used to indicate a specific meaning or to add emphasis.

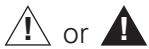
The following words are used as indicated throughout the manual:

Shall: understood to be mandatory.

Should: understood to be advisory.

May: understood to be permissive.

Will: indicates a future event or condition is highly likely to occur.



(Safety Alert Symbol)

Used in conjunction with key words **DANGER, WARNING**, or **CAUTION** to alert you of potential personal injury hazards and to highlight precautionary measures that pertain to subsequent step(s). Adhere to all safety messages following these symbols to avoid possible injury or death. Failure to comply with safety precautions identified by a safety alert symbol may also void the equipment's warranty.

DANGER

- Indicates an imminently hazardous situation which, if not avoided, will result in serious injury, or even death. Use of this is limited to the most extreme situations.

WARNING

- Indicates a potentially hazardous situation which, if not avoided, may result in serious injury, or even death.

CAUTION

- Indicates a potentially hazardous situation which, if not avoided, may result in minor to moderate injury. Also alerts against unsafe practices.

CAUTION

- When used without the safety alert symbol, **CAUTION** indicates a potentially hazardous situation which, if not avoided, may result in damage to the equipment or property, and void the warranty.

NOTE:

- Identifies suggested, recommended, or otherwise noteworthy information.

Specific Safety Precautions

For your safety, please observe the following precautions when operating or servicing the OVH-10-C Ventless Hood. Read the following important safety information to avoid personal injury and/or damage to the equipment or property.

DANGER

- Always disconnect the source of main power before removing any service panel or cover.
- Failure to ensure that the Power Switch is in the **OFF** position during servicing or when replacing filters could result in damage to the equipment, electrical shock or other serious personal injury.
- Failure to comply with these **DANGER** notices will result in serious injury or even death, equipment or property damage, and void the warranty.

WARNING

- **DO NOT** use or store flammable liquids or materials that produce flammable vapors in the vicinity of this or any other appliance!
- Consult a qualified electrician to ensure that all electrical requirements are met and that the unit is properly grounded.
- Before installing or servicing this equipment, read the contents of this manual thoroughly.
- Improper installation, adjustments or alterations, or improper service/maintenance could result in serious injury or even death, damage to equipment or property, and void the warranty.
- Failure to comply with these **WARNING** notices could result in serious injury or even death, and equipment or property damage.

WARNING

UV MODEL ONLY

- An internal ultraviolet radiation source is present on these models during operation.
- Keep protective covers and panels in place during normal operation. Replace any removed after servicing.
- An interlock circuit in the hood reduces potential for exposure to excessive ultraviolet radiation. **DO NOT** attempt to disconnect or bypass this interlock.
- Looking directly at a UV light source without proper eye protection can cause serious eye injury.

CAUTION

- Maintain a minimum clearance of **18" (457.2mm)** between the hood's exhaust outlet and the ceiling, or other overhead obstruction.
- Exercise care when lifting or moving the unit. See **Section 1-4.4, Hood Weights**.
- Exercise care when removing the unit from the shipping skid.

CAUTION

- **DO NOT** operate the unit unless you fully understand its components and their intended function.
- **DO NOT** bend the collection fins or break the ionizer wires of the Electrostatic Air Cleaner (EAC). Doing so will prevent it from working properly and cause a shutdown of power to the appliance being operated under the hood.
- Failure to comply with these **CAUTION** notices may result in minor to moderate injury, damage to equipment or property, and void the warranty.

CAUTION

- The electronic components of the Control Panel are somewhat impact-sensitive. Exercise care when performing tasks near the unit's Control Panel to prevent possible unintentional damage.
- After cleaning the EAC, **DO NOT** attempt to dry the EAC cell by installing it in the hood and running the fan to force air dry, or by running the appliance under the hood to heat dry. This could potentially damage the EAC power system, leading to failure and voiding the warranty. The EAC filter must air dry at ambient room temperature, preferably overnight.
- When cleaning the Hood, Hood Skirt or Stand ...
 - **DO NOT** steam clean.
 - **DO NOT** spray with water from a hose.
 - **DO NOT** use products containing chlorine.
 - **DO NOT** use abrasive products, steel wool or scouring pads.
- Failure to comply with these **CAUTION** notices may result in damage to equipment or property, and void the warranty.

NOTE:

- Giles' responsibility for the damage to the unit ends once the freight shipment is loaded onto the carrier's truck. Upon delivery, if the palletized unit showed any signs of damage, the entire load, including the supplied accessories, should have been inspected immediately and any damage to the equipment should have been promptly reported to the freight company.
- As an aid for electricians and installers, an electrical wiring diagram is provided with the unit. Refer to the wiring diagram during installation or while servicing.
- Comply with all appropriate state and/or local health regulations regarding cleaning and sanitation of foodservice equipment.
- Giles recommends the use of mild, bio-degradable, non-toxic degreasers, such as **Clear Magic** or **Simple Green**, for cleaning parts of the hood where excessive grease film accumulation is present.
- Always ensure the unit is installed and electrically grounded in accordance with local codes, or in the absence of local codes, in accordance with the **National Electrical Code ANSI/NFPA No. 70-1984**.

NOTE:

- The approximate sound level of the hood while operating is 65 dB.

NOTE:

- **For some installations, it may be necessary to consult a HVAC specialist to confirm that proper room air exchange is occurring and that the on-site A/C system is capable of handling the anticipated heat load.**
- Exhaust ventilation is recommended for areas in which recirculating hoods are operated. Giles recommends **50 CFM** per linear foot of hood space. **This amount could vary based on local codes and site-specific situations.**

1. Introduction

Thank You! for purchasing the OVH-10-C Ventless Hood System manufactured by Giles Enterprises, Inc., Montgomery, Alabama, USA. The OVH-10-C is a Limited Type-1 Hood designed specifically for use on counter-top spaces and is listed for use with a variety of small commercial appliances ... Toasters, Conveyor Ovens, Ovens and Rotisseries.

With proper care and maintenance, this unit will provide years of trouble-free service. To help protect your investment in this equipment, we recommend taking a few moments to familiarize yourself with the installation, operation, cleaning, and maintenance procedures described in this manual. We urge you to read this manual before installing or operating the hood. Adherence to these recommended procedures will minimize future potential for costly downtime and equipment repairs. Please retain this manual for later reference.

1-1. Construction

The OVH-10-C Hood is constructed of 16-Ga to 20-Ga Stainless Steel.

1-2. Standard Features

Control Panel

- **LED** light cluster indicates the status and condition of the Electronic Air Cleaner (EAC) cell.
- **Appliance Powered** light indicates that power is being supplied to the interlocked appliance(s) operating under the hood.
- **Filter Missing** light indicates that the Baffle Filter and/or the Charcoal Filter is missing or not properly installed.
- **Filter Clogged** light indicates that the Baffle Filter and/or the Charcoal Filter is possibly clogged and requires attention.

Filters

- Baffle Filter - captures and collects large particulate entrained in the air stream.
- Electronic Air Cleaner (EAC) - captures and collects fine particulate air contaminants.
- Charcoal Filter - activated carbon filter helps to eliminate cooking odors.

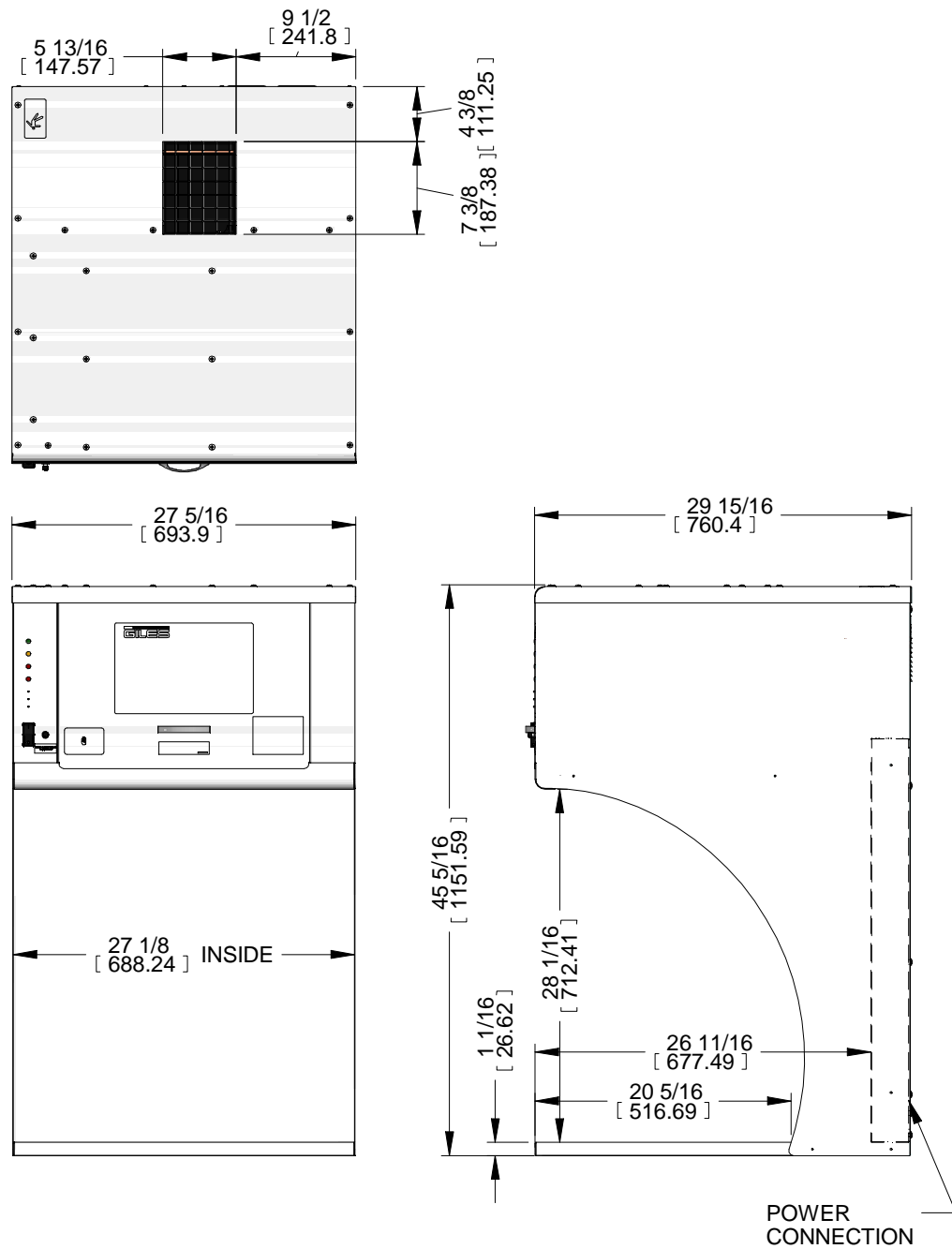
1-3. Optional Features

Inter-Locked Start (ILS)

- This system prevents the hood and the served appliance(s) from restarting after a power interruption without being attended by an operator. This optional provision is required by code in certain cities and/or states.

1-4. Specifications

1-4.1. Overall Dimensions



1-4.2. Regulatory Listings



1-4.3. Hood Weight

Hood	Crated Weight	Uncrated Weight
OVH-10-C	245 lbs [111 kg]	175 lbs [79 kg]

2. Installation

This section summarizes the procedures necessary to install your new OVH-10-C Countertop Hood. Before installing and attempting to operate, please read the contents of this manual thoroughly. Following these procedures will help ensure safe and proper installation.

2-01. Unpacking

!! IMPORTANT NOTE:

- If the palletized unit showed any signs of damage, you should have immediately inspected the equipment and any other packed accessories, and promptly notified the freight company of any and all damages. **Typically, it is the customer's responsibility to claim freight damage.**

The unit is shipped on a wooden skid with protective framing, secured to the skid by high-tensile plastic strapping and wrapped with machine applied stretch-wrap. Perform the following steps to unpack the unit:

1. Position the palletized unit in an area with sufficient space for unpacking.
2. Cut and remove stretch-wrap and all strapping.
3. Use appropriate tools to remove the wooden crate from around the unit.
3. Remove any packed accessories and/or parts from the skid and set aside.
4. The unit is extremely heavy. Using suitable lifting equipment or adequate manpower, lift the unit and remove it from the shipping skid. See **Section 1-4.3, Hood Weights**.
5. Properly dispose of all shipping materials.

 **CAUTION**

- The unit is extremely heavy and somewhat top-heavy! Exercise due caution when handling to avoid personal injury or damage to the equipment. Take precautions not to damage the hood's Base or Skirting.
- Exercise care when removing the wooden framing from around the unit to avoid any exposed nails or staples.
- Failure to comply with these **CAUTION** notices may result in minor to moderate injury, damage to equipment or property, and void the warranty.

2-02. Location

 CAUTION

- DO NOT MODIFY OR ALTER THIS EQUIPMENT, OR ADD ATTACHMENTS OF ANY KIND.

NOTE:

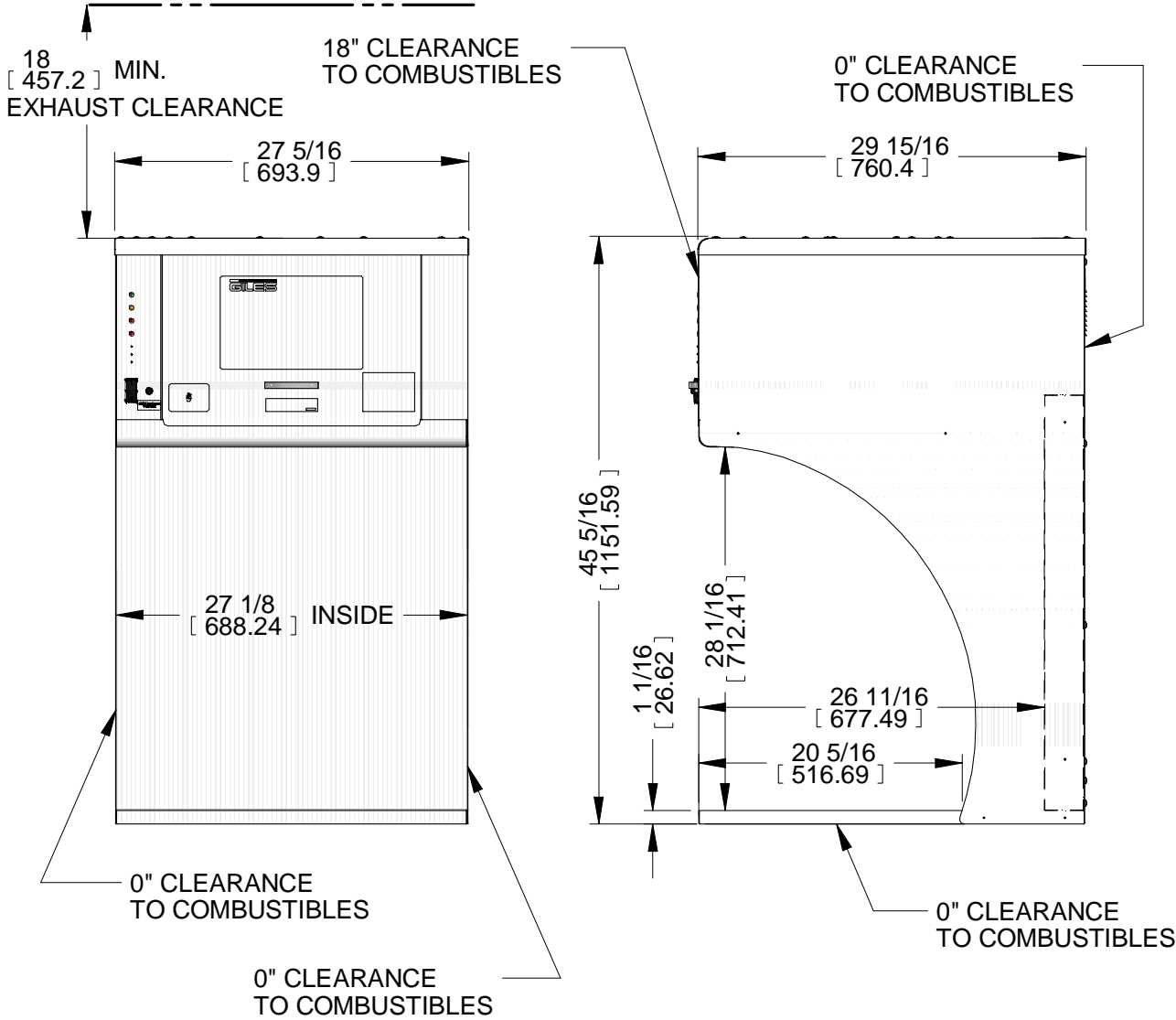
- For some installations, it may be necessary to consult a HVAC specialist to confirm that proper room air exchange is occurring and that the on-site A/C system is capable of handling the anticipated heat load.
- Exhaust ventilation is recommended for areas in which recirculating hoods are operated. Giles recommends **50 CFM** per linear foot of hood space. **This amount could vary based on local codes and site-specific situations.**

NOTE:

- The sound level of the hood while operating will be approximately 65 dB.

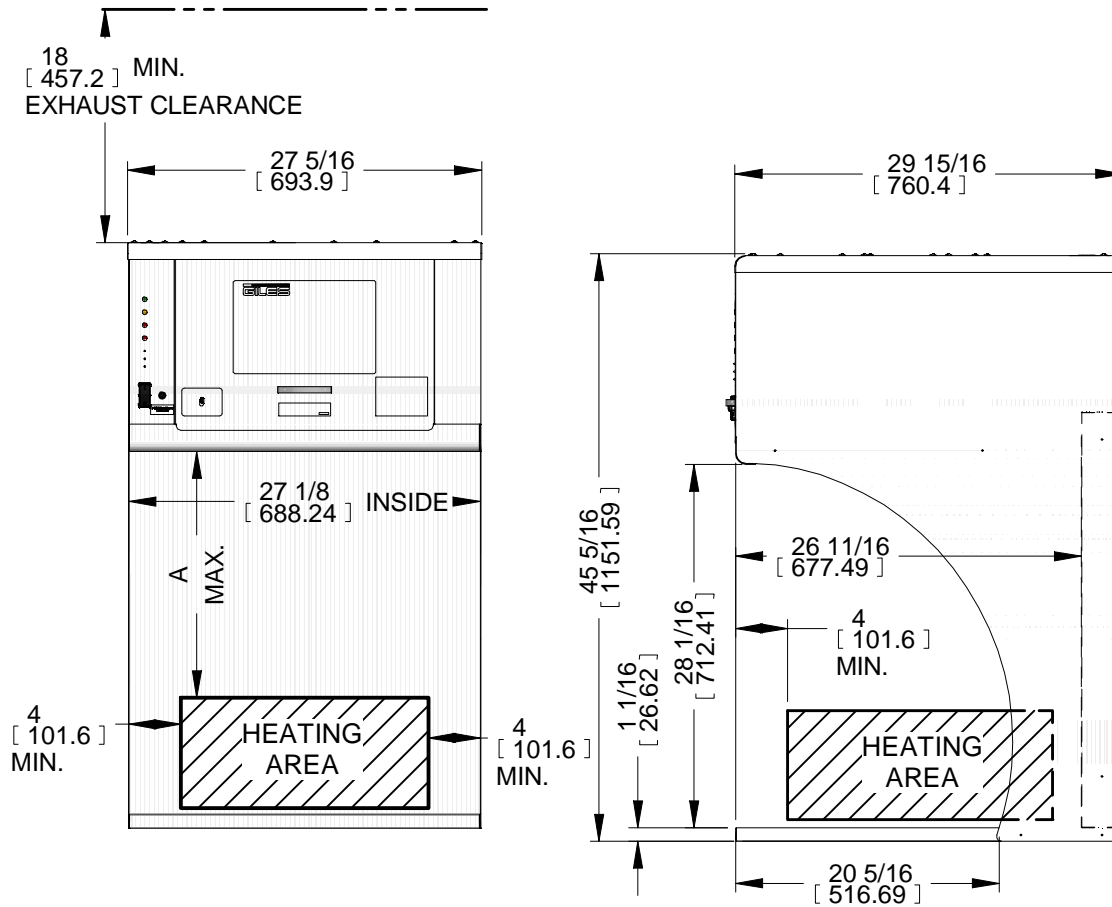
1. Do not obstruct the exhaust air outlet. Maintain a minimum clearance of **18 inches (457.2 mm)** between the air outlet and the ceiling, or any other overhead obstruction.
2. The OVH-10-C Hood model is designed to sit atop a counter space. Ensure that the intended site is structurally sound and capable of supporting the hood’s weight plus that of the appliance(s) to be placed under it. See **Section 1-4.3, Hood Weight.**

2-02.1 Clearance to Combustibles



2-03. Cooking Appliance Limitations & Clearances

Hood is listed for Electric Appliances **ONLY**.



APPLIANCE RESTRICTIONS		
APPLIANCE TYPE	MAX. ELECTRIC INPUT, kW (WATTS)	A
CONVEYOR OVENS	11.5 (11,500)	19* [482.6]
OVENS	6.2 (6200)	6 [152.4]
ROTISSERIE	6.2 (6200)	6 [152.4]
CONVEYOR TOASTERS (VERTICAL AND HORIZONTAL)	11.5 (11,500)	19* [482.6]
FLAT TOASTERS	11.5 (11,500)	19 [482.6]

* - MEASURED TO TOP OF CONVEYOR BELT

* Appliance(s) exceeding 50 Amps must have a separate circuit from the Hood, but be interlocked through the Hood contactor coil.

2-04. Electrical Requirements

⚠ WARNING

- Consult a qualified electrician to ensure that all electrical specifications have been met and that the unit is properly grounded.
- Improper installation, adjustment, alteration, service or maintenance could result in serious injury or even death, damage to equipment or property, and void the warranty.

Power Rating for Hood & Appliance on Same 208-240V Circuit**

Voltage	Hz	Phase	Field Provided Appliance Power (Amps)	Hood Power (Amps)	Branch Circuit Protector (Amps) if Connecting Hood & Appliance on Same Circuit
208-240	60	1 or 3	0 - 10.5	1.5	15
			10.6 - 14.5	1.5	20
			14.6 - 22.5	1.5	30
			22.6 - 38.5	1.5	50
			38.6 - 46.5	1.5	60
			46.7 - 50*	1.5	70

* Appliance(s) exceeding 50A must have a separate circuit from the Hood, but be intelocked through the Hood contactor coil.

** Appliance provided and rated separately from Hood.

Power Rating for Hood Only, if Appliance is on Separate Circuit & Interlocked Through Separate Contactor

Voltage	Hz	Phase	Hood Power (Amps)	Breaker
208-240	60	1	1.5	15

2-04.1. Electrical Connections

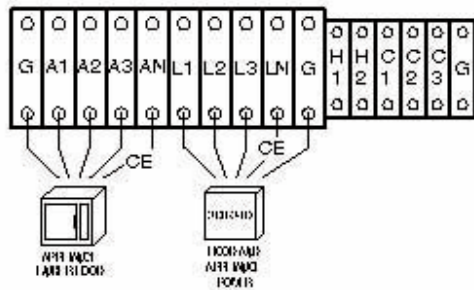
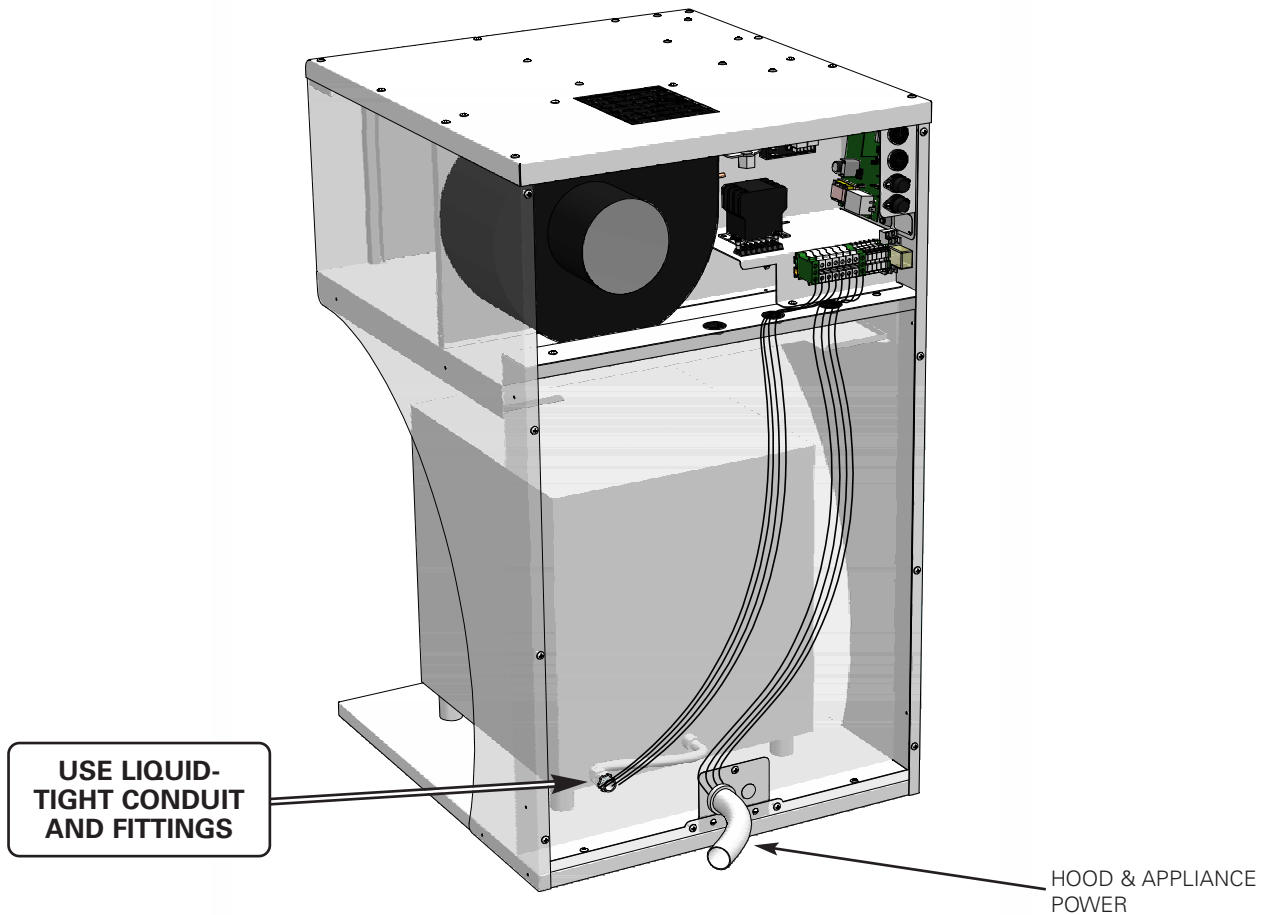
- All electrical installation should be performed by a qualified electrician or technician.
 - Improper installation or poor work practices could result in serious injury or even death, damage to equipment or property, and void the warranty.
-
1. Install appropriate circuit breaker in Main breaker box.
 2. Remove Hood Back Panel.
 3. Connect appropriately sized wire (**supplied by customer**) from breaker box to Hood. Allow sufficient cord length to allow moving hood, if necessary, for future service or maintenance.
 4. Connect Hood and Appliance wiring to Hood terminal blocks. Several different wiring configuration options are possible depending on specific installation situations and appliance choices. See **Section 2-04.2** for specific details of these options.
 5. Replace all panels and covers.
 6. Turn on Main Breaker.
 7. Place the Hood Power Switch in the **ON** position; Hood fan will start. For **ILS** model hood, press and hold the “Push to Start” button on the Control Panel for approximately 5 seconds to start fan.

- If using a remote contactor (**Section 2-04.2.4**), the contactor must be a UL Listed, definite purpose AC resistive air heating type, suitable for the appliance load. Installation and connections shall be in accordance with the National Electric Code NFPA 70.

2-04.2. Hood & Appliance Wiring Configurations

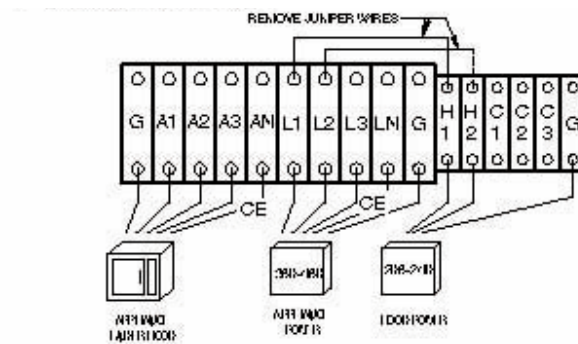
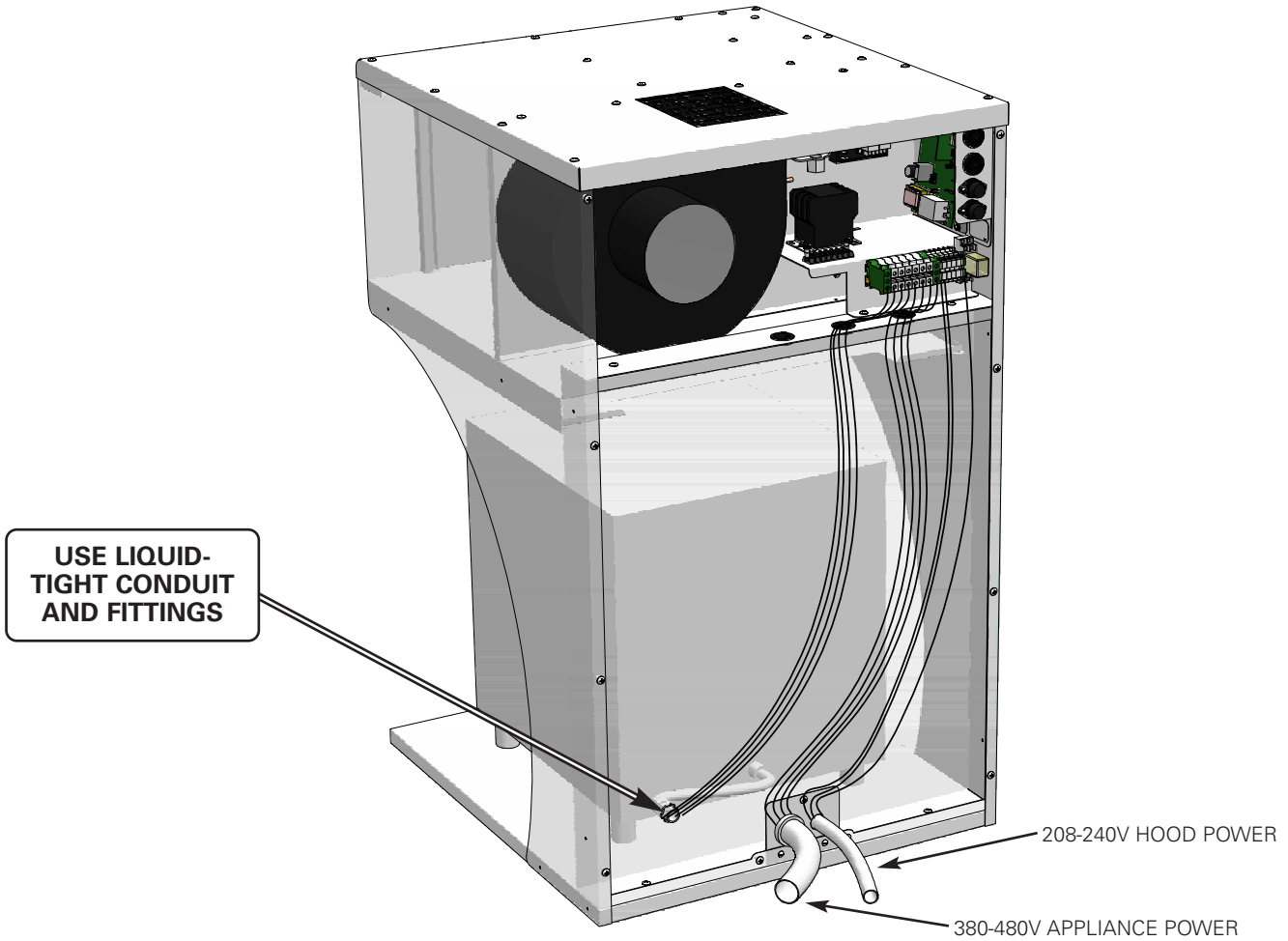
2-04.2.1 Electrical Connection, Hood & Appliance on same Circuit

208-240V APPLIANCE AND 208-240V HOOD POWER ON SAME CIRCUIT BREAKER



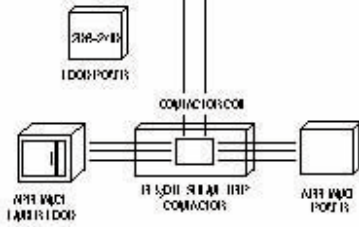
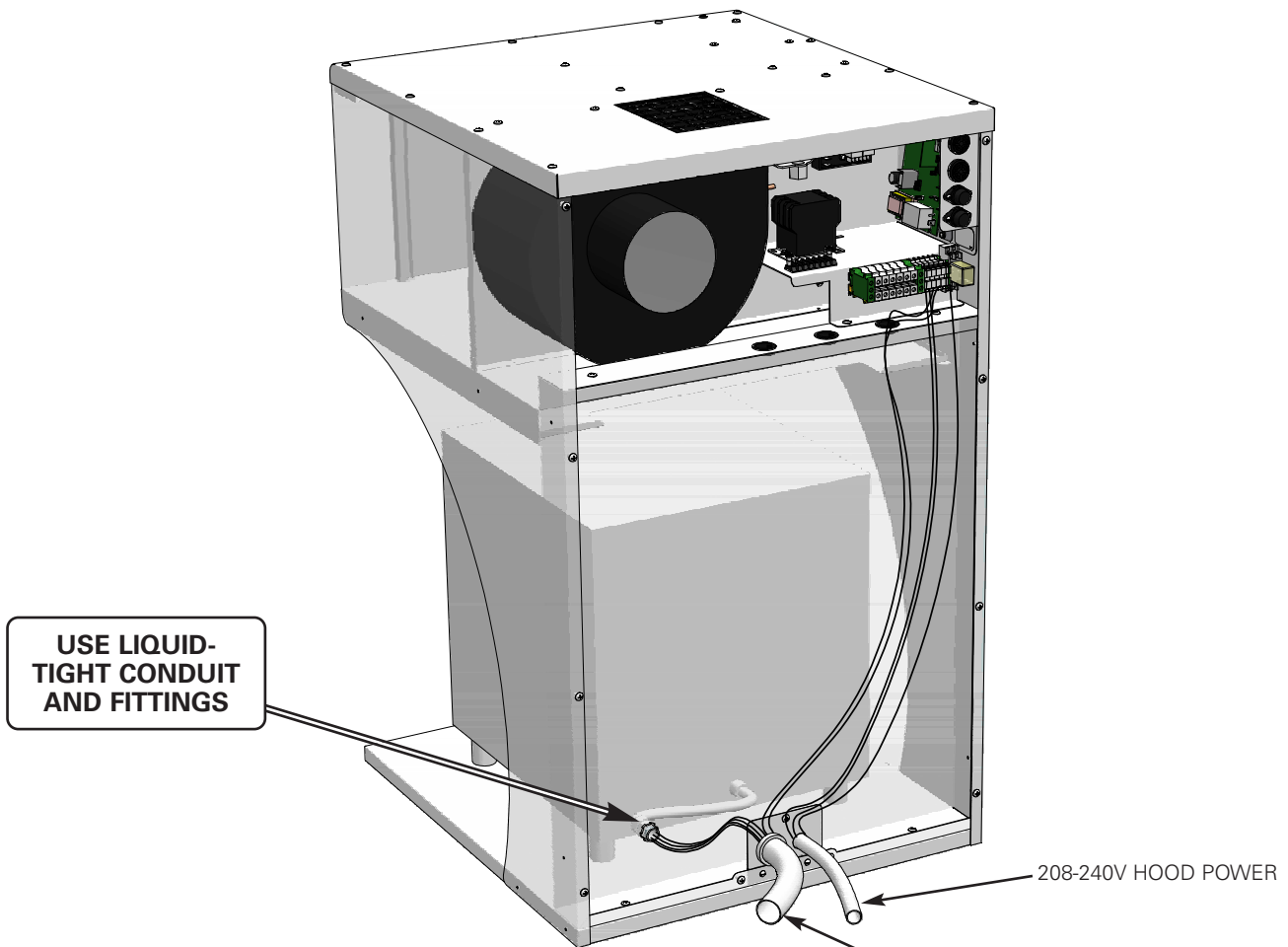
2-04.2.2 Electrical Connection, 380-480V Appliance Power Separate from 208-240V Hood Power

380-480V APPLIANCE POWER SEPERATE FROM 208-240V HOOD POWER (USING HOOD SHUNT TRIP CONTACTOR INCLUDED IN HOOD)



2-04.2.3 Electrical Connection, 120V to 480V Appliance Power Separate from 208-240V Hood Power w/Remote Shunt Trip Device

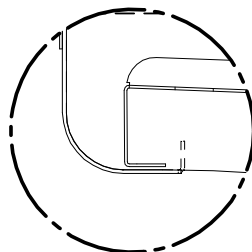
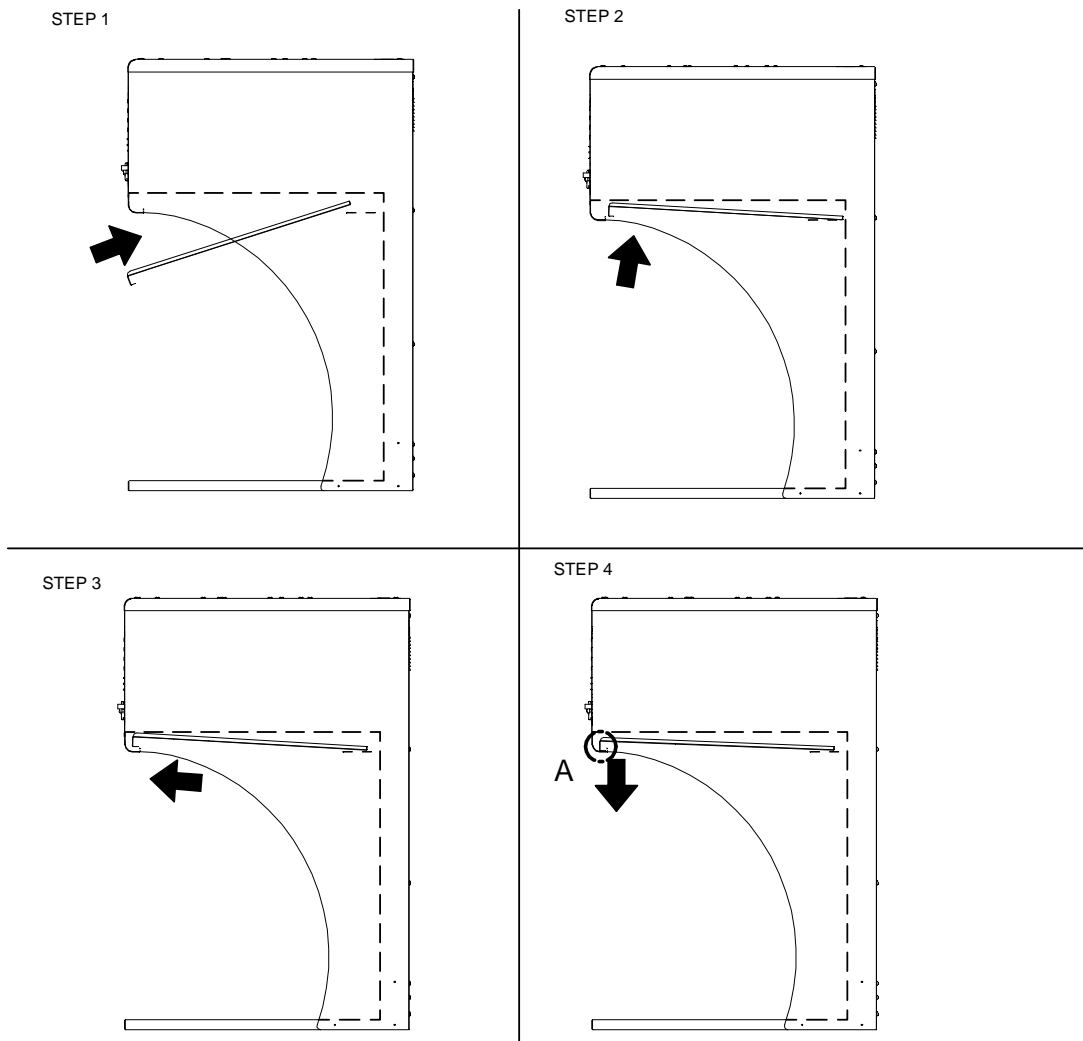
120V to 480V APPLIANCE POWER SEPARATE FROM 208-240 V HOOD POWER (USING REMOTE SHUNT TRIP CONTACTOR SUPPLIED BY LICENSED ELECTRICIAN). Contactor must be a UL Listed, definite purpose, AC resistive, air heating type, suitable for the appliance load. The Installation and connections shall be in accordance with the National Electric Code NFPA 70.



2-05. Air Baffle Installation

To prevent damage to the components and unit during shipment, the Air Baffle is not factory-installed. This part must be installed prior to operation for proper performance. No tools are required, refer to the following illustrations.

AIR BAFFLE INSTALLATION



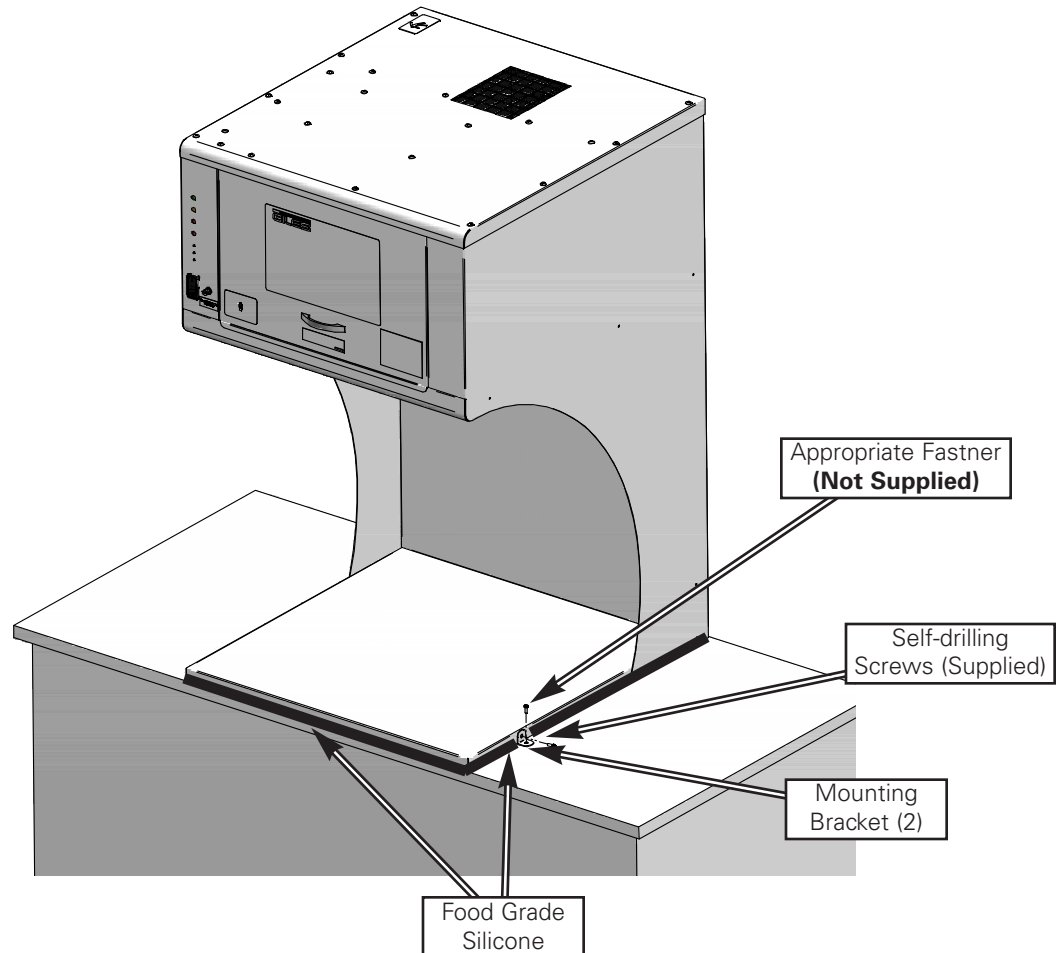
DETAIL A

2-06. Final Countertop Installation

1. Confirm that both the Hood and cooking appliance are properly wired and that electrical installation is complete.
2. Ensure that the Hood is positioned in its final location and that it is suitably level and stable.
3. Two (2) Mounting Brackets are provided for securing the Hood to the counter-top. The brackets, one on each side, can be placed at most any position along the Hood's base, but preferably should be located between the middle to the rear third of the side.
4. Use the supplied #10 x 1/2" self-drilling screws to attach the brackets to the Hood base. Use screws which are appropriate for the countertop material (not supplied) to fasten the Mounting Brackets to the countertop.
5. Apply a bead of food-grade silicone around the entire hood base perimeter to create a liquid-tight seal between the base and countertop surface.
6. The Hood installation must comply with all applicable health and sanitation codes and regulations.

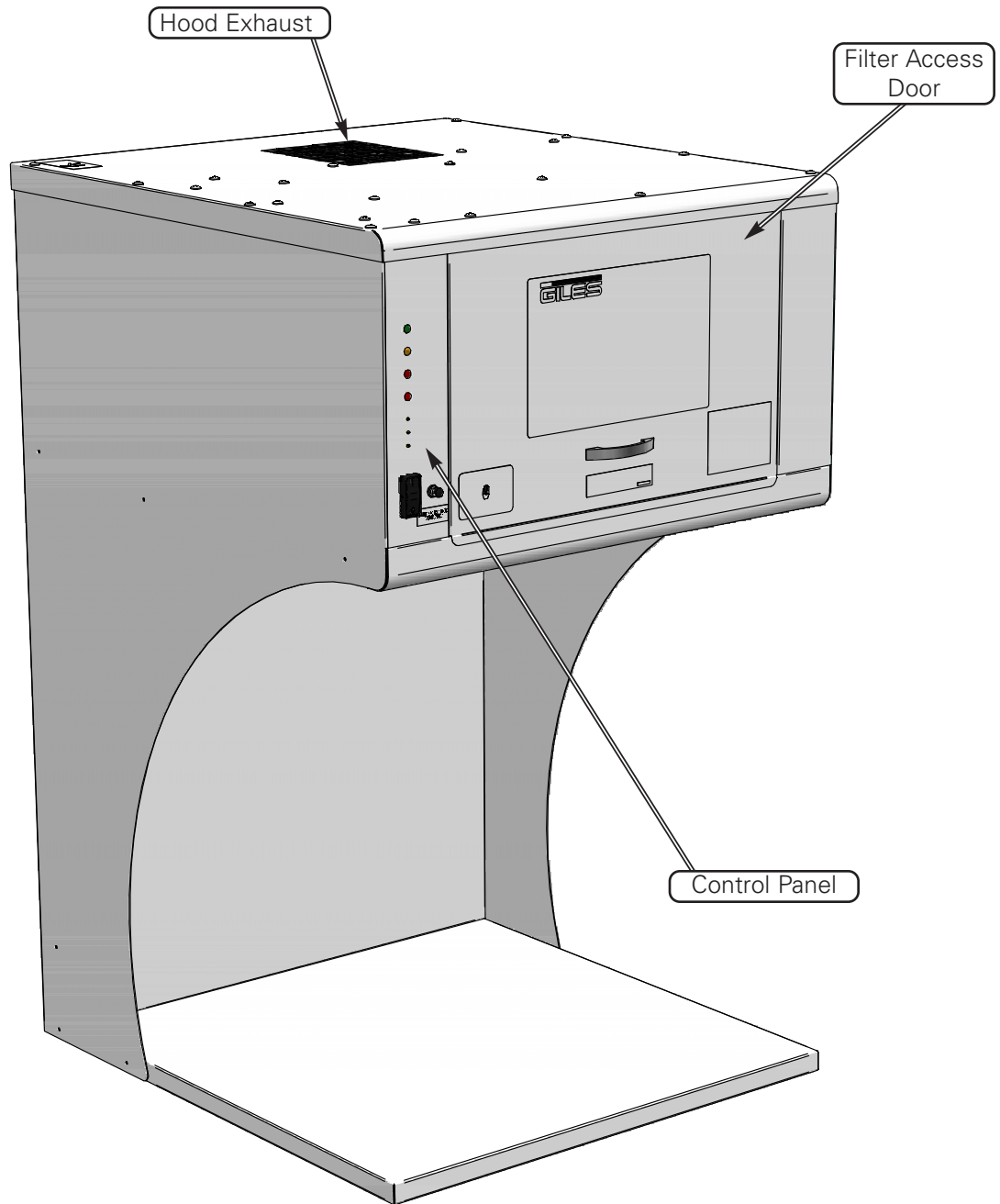
NOTE:

- Before operating the Hood, remove any remaining protective film from the outer surfaces of the Hood, Skirt and Base, then clean all exterior surfaces with a good quality stainless steel cleaner/polish.

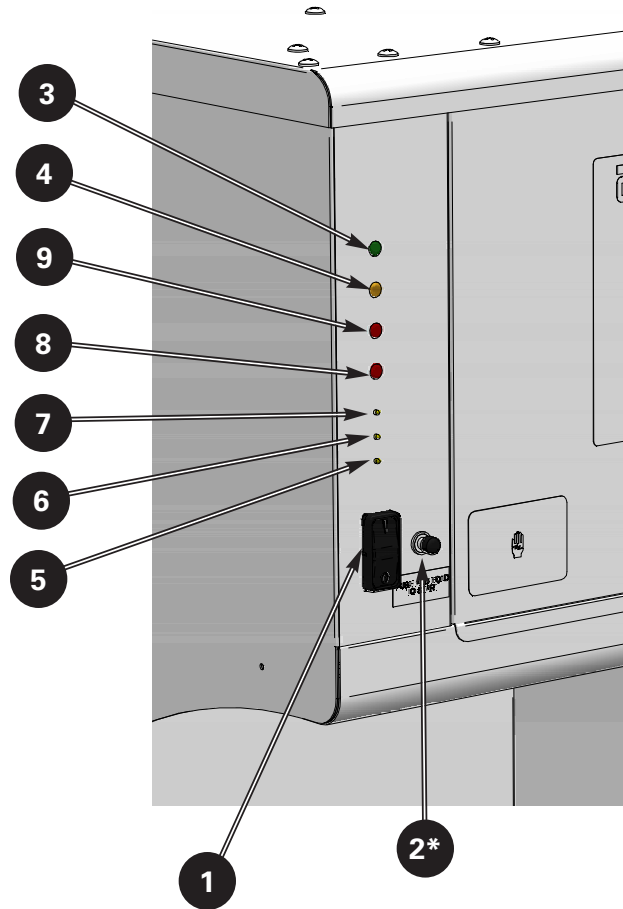


3. Overview

The following section provides a brief overview of the components, functions, and accessories of the OVH-10-C Ventless Countertop Hood. Please review this section carefully before attempting to operate the unit.



3-01. Control Panel

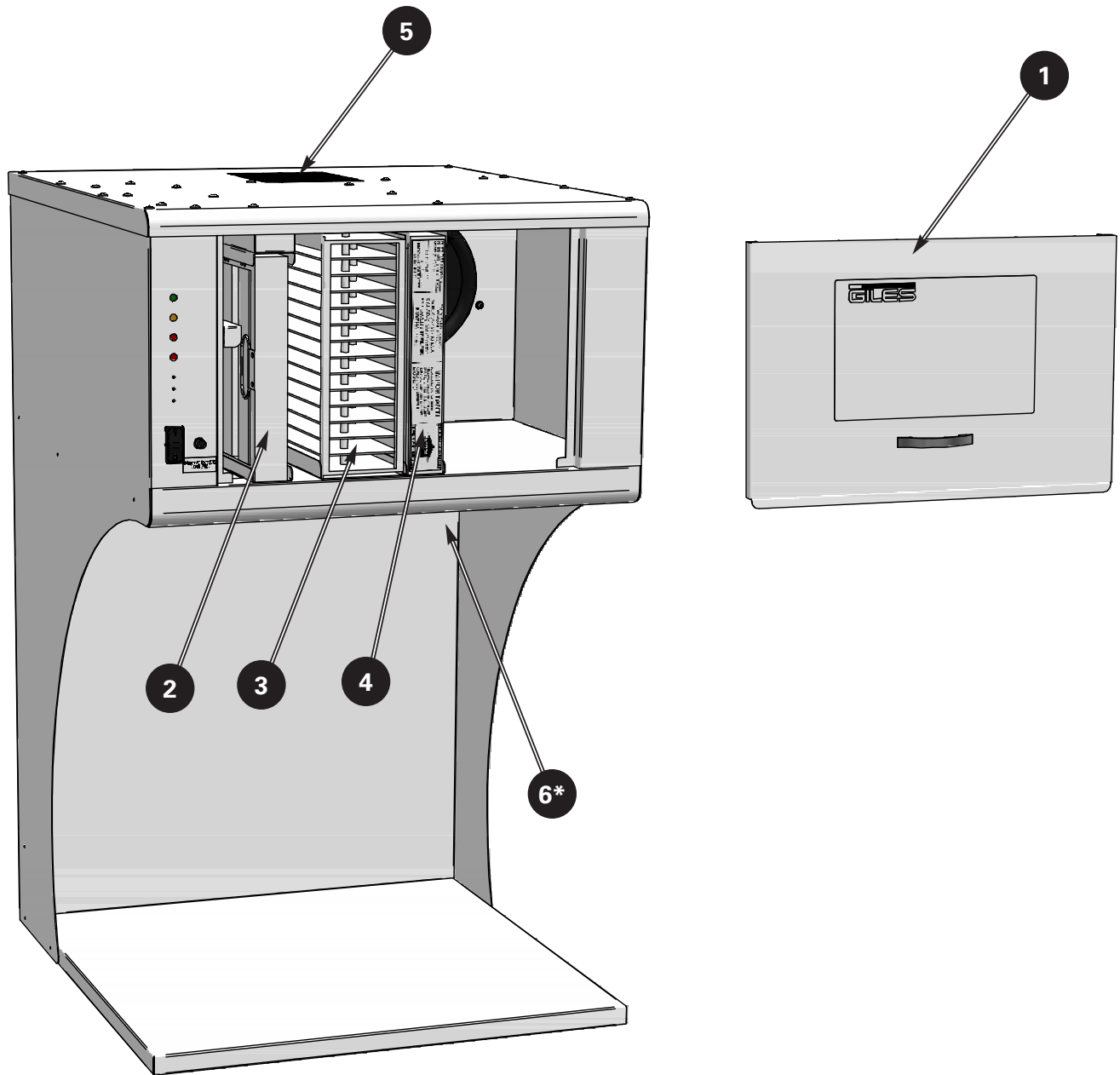


* ILS Only

3-01. Control Panel		
Item	Description	Function
1	Power Switch	The Power Switch is a two-position Switch. Placing switch in the ON position starts the hood fan.
2*	PUSH TO START Button	After placing Power Switch in the ON position, push and hold button for approx. 5 seconds to start the hood fan. Only on units with Inter-Locking Start (ILS) option installed.
3	Hood Powered Light	This Light is illuminated when the Power Switch is in the ON position and the Filter Access Door is properly installed. If equipped with the ILS , the start button must have also been depressed.
4	Appliance Powered Light	Light is illuminated to signify that the appliance under the hood is receiving power and ready to turn on for use.
5	ON LED Indicator (EAC)	The ON Indicator Light is illuminated when the Electronic Air Cleaner (EAC) power supply is on. When the EAC is functioning normally, this is the only LED illuminated.
6	WASH LED Indicator (EAC)	The WASH Indicator Light is illuminated when the EAC becomes excessively dirty. This is NOT the signal for routine cleaning; the EAC must be cleaned daily for best performance. Failure to do so will significantly reduce the life of the charcoal filter and possibly damage to the EAC power supply.
7	CHECK LED Indicator (EAC)	The CHECK Indicator Light will illuminate when the EAC cell becomes shorted. The EAC has stopped functioning; an alarm will sound and the cooking appliance will be de-energized two (2) minutes after the CHECK light comes on. The EAC must be cleaned or is need of repair or replacement.
8	Clogged Filter Indicator (Baffle or Charcoal)	Light will illuminate if the Baffle Filter or Charcoal Filter is dirty/clogged. The appliance is de-energized.
9	Filter Missing Indicator (Baffle or Charcoal)	Light will illuminate if either the Charcoal or Baffle Filter is missing or installed improperly. The appliance is de-energized.

* ILS Only

3-02. Hood Front & Filter Chamber



* Not Shown



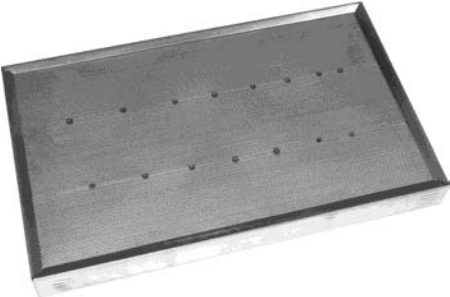


3-02. Hood Front & Filter Chamber		
Item	Description	Function
1	Filter Access Door	Provides access to the Baffle Filter, EAC and Charcoal Filter. This door must be in place and secure for the unit to operate.
2	Baffle Filter	First stage of the grease extraction and air-cleaning system. This filter is easily removed for daily cleaning. To avoid possible electrical shock, DO NOT remove while the hood Power Switch is ON. The Baffle Filter should be cleaned daily.
3	EAC Filter	EAC Filter is an electrostatic device that removes grease vapor and smoke generated during cooking. To avoid possible electrical shock, DO NOT remove while the hood Power Switch is ON. The EAC <u>must</u> be cleaned daily.
4	Charcoal Filter	Charcoal Filter helps to eliminate cooking aromas from the discharge air. This Filter should be replaced monthly. To avoid possible electrical shock, DO NOT remove the Charcoal Filter while the hood Power Switch is ON. NEVER attempt to clean and re-use the Charcoal Filter. Replace with new filter every 30 days.
5	Air Exhaust Outlet	The Exhaust Outlet located on top of the unit, exhausts the filtered air back into the room. For proper air flow, a minimum clearance of 18" <u>must</u> be maintained between the top of the hood and the ceiling, or other overhead obstruction.
6*	Air Baffle	Directs airflow to achieve proper Hood performance.

* Not Shown



3-03. Accessories (Standard)

Part	Description/Part Number	Function
	<p>Baffle Filter P/N 45096</p>	<p>Removes large particle contaminant from the air stream.</p>
	<p>EAC Filter P/N 22360</p>	<p>Removes smoke and fine particle contaminant from the air stream.</p>
	<p>Charcoal Filter P/N 31963</p>	<p>Helps to remove cooking odors from the discharged air.</p>



3-03. Accessories (Standard)

Part	Description/Part Number	Function
 A black, rectangular, open-top container with a slightly tapered design and a black interior. It has two small white circular marks near the top edge.	EAC Soak Tank P/N 39327	Use for soaking and cleaning EAC filter.

3-04. Accessories (Optional)

Part	Description/Part Number	Function
------	-------------------------	----------



NOTES:

4. Operation & Filter Maintenance

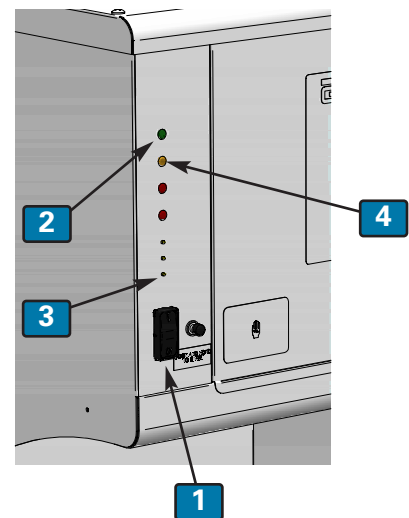
This section describes Hood operation, care and cleaning of Filters, and other general maintenance items.

4-01. Hood Operation

Confirm that all Filters are in place and properly seated before attempting to operate the hood. The Filter Access Door must be in place and secure. **NOTE: The hood will NOT start if the Filter Access Door is not installed or not properly positioned.**

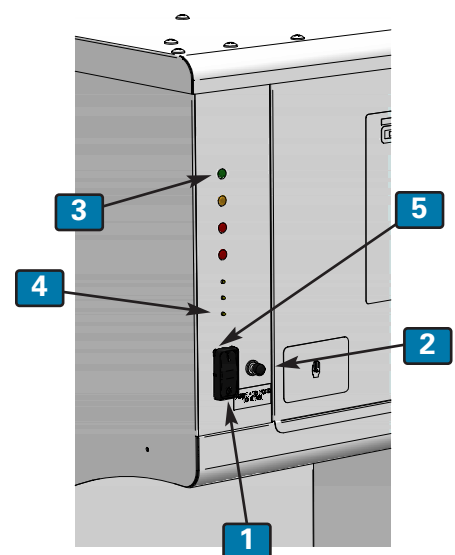
4-01.1 Starting the Hood (Regular)

1. Place the **Power Switch** **1** in the **ON** position.
2. The green **Hood Powered** light **2** will come on.
3. The Hood blower will start.
4. The EAC status **ON** LED **3** will illuminate.
5. The amber **Appliance Powered** light **4** will come on.
This indicates that power is being supplied to the cooking appliance under the hood. It can now be operated.
6. Should an audible alarm sound, any other indicator lights come on and/or if the **Appliance Powered** light does not turn on, refer to Troubleshooting Sections of this manual.



4-01.2 Starting the Hood (ILS Model)

1. Place the **Power Switch** **1** in the **ON** position.
2. Press and hold the **Push to Start** Button **2** for approx. 5 seconds.
3. The green **Hood Powered** light **3** will come on.
4. The Hood blower will start.
5. The EAC status **ON** LED **4** will illuminate.
6. The amber **Appliance Powered** light **5** will come on.
This indicates that power is being supplied to the cooking appliance under the hood. It can now be operated.
7. Should an audible alarm sound, any other indicator lights come on and/or if the **Appliance Powered** light does not turn on, refer to Troubleshooting Sections of this manual.



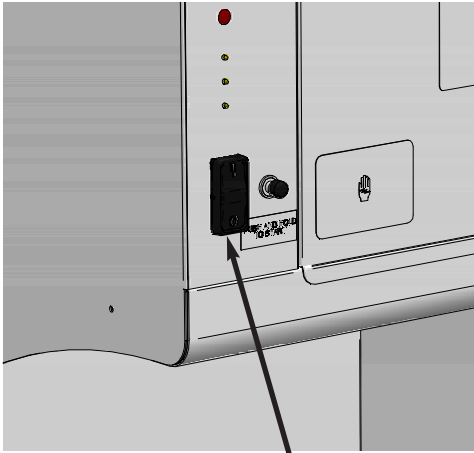
4-02. Hood Filter System

The OVH-10-C Hood Filter System consist of three (3) stages. This section describes filter maintenance and cleaning procedures necessary to keep the air cleaning system at peak performance.

4-02.1. Ventless Hood Filter Table

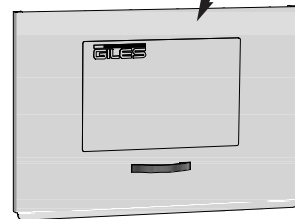
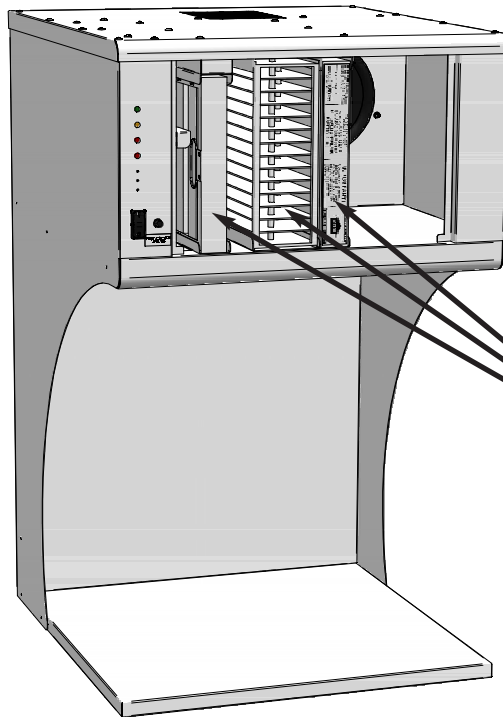
Filter	When to clean or replace	How to remove	How to clean	How to install
Baffle Filter	Clean daily	Section 4-02.02.	Section 4-03.01.	Section 4-02.03.
EAC Filter	Clean daily	Section 4-02.02.	Section 4-03.02.	Section 4-02.03.
Charcoal Filter	Replace every 30 days	Section 4-02.02.	<u>Never clean, Replace Only</u> Section 4-03.03.	Section 4-02.03.

4-02.2. Filter Removal - Baffle, EAC & Charcoal



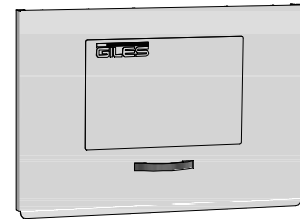
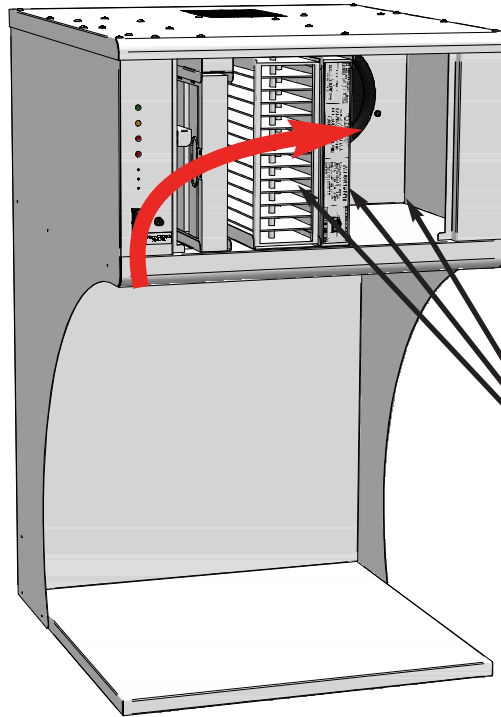
1 Place in OFF position

2 Remove Filter Access Door



3 To remove, simply slide the desired Filter straight out of its Filter Chamber track.

4-02.3. Filter Installation - Baffle, EAC & Charcoal



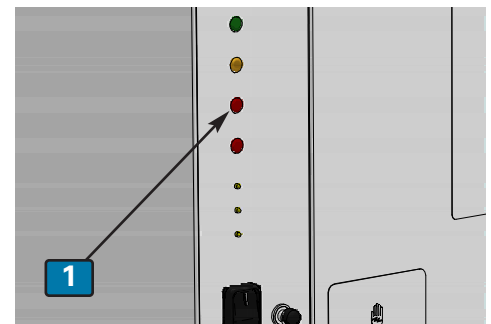
To reinstall Filters, align with the filter channel and slide straight in until filter hits a stop.

Note airflow direction arrows on filters when reinstalling.

Reinstall Access Door

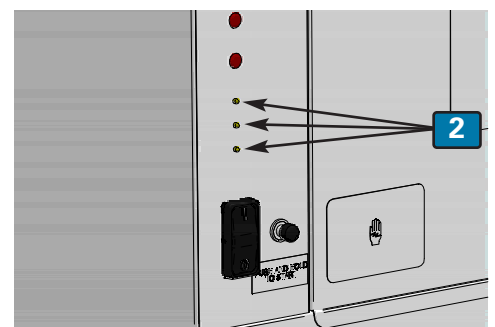
4-02.4. Charcoal or Baffle Filter Missing

If the Baffle or Charcoal Filter is missing, or not positioned correctly, the **Charcoal or Baffle Filter Missing** light **1** will illuminate and power to the cooking appliance under the hood is interrupted until the condition is corrected. The amber **Appliance Powered** light will turn **OFF**.



4-02.05. EAC Filter Missing

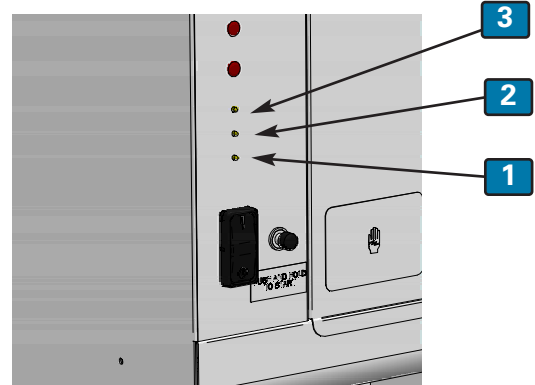
If the EAC Filter is missing or not properly positioned, all 3 EAC LED's **2** will illuminate; after approx. 2 minutes an intermittent tone alarm will sound and power to the cooking appliance under the hood is interrupted until the condition is corrected. The amber **Appliance Powered** light will turn **OFF**.



4-02.6. EAC Filter Status

Three L.E.D. indicator lights on the Control Panel display the status of the EAC Filter System.

- 1 ON** When this is the only L.E.D. **ON**, the EAC Filter is in place, powered and operating properly.
- 2 WASH** When **ON**, indicates the collection fins are becoming excessively dirty and must be cleaned. After approx. 2 minutes in this condition, an intermittent tone alarm will sound and power to the interlocked under-hood cooking appliance will be interrupted until the condition is corrected. The amber **Appliance Powered** light will turn **OFF**.
- 3 CHECK** When **ON**, indicates the Filter is not operating. There is either a poor connection at the contacts or the filter is extremely dirty or damaged. After approx. 2 minutes in this condition, an intermittent tone alarm will sound and power to the interlocked under-hood cooking appliance will be interrupted until the condition is corrected. The amber **Appliance Powered** light will turn **OFF**.



!! IMPORTANT NOTE

- **The WASH L.E.D. is not to be use as an indicator signal for routine cleaning of the EAC cell. The EAC must be cleaned daily to maintain peak performance. The WASH light being ON is an indication that the cell is too dirty to function and that power to the cooking appliance is about to be shutdown.**

4-03. Filter Maintenance

4-03.1. Baffle Filter Cleaning

Grease Baffle Filter should be cleaned daily. Place in sink and clean with a mild, bio-degradable, degreaser. Dry filter thoroughly and reinstall in the unit. Generally, the Baffle Filter may be washed in a dishwasher.

Ensure that Baffle Filter is thoroughly dry before reinstalling in the hood. NEVER PLACE A WET FILTER INTO THE HOOD!

4-03.2. EAC Filter Cleaning

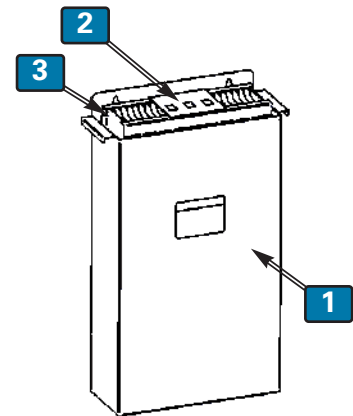
The EAC Filter **must** be cleaned daily for peak performance. Failure to do so will eventually lead to filter system failure and reduce Charcoal Filter life. Follow the procedure below for effective cleaning.

The EAC cell is NOT designed to withstand washing in commercial dishwashers.

CAUTION

- **Do not bend the fins or break the ionizer wires on the EAC as this will prevent the collecting cell from performing properly and potentially void the warranty.**

1. Add 1/2 gal. of a mild degreaser, such as **Simple Green** or **Clear Magic**, to the provided Soak Tank **1** ... add water to the fill line marked by X's on the inside of the tank back and mix thoroughly.
2. Grasp the cell's contact plate **2** and carefully lower the EAC **3** into the mixed degreasing solution.
3. Allow the EAC to soak for 30 minutes. After that time, grasp the cell by the contact plate **2**, lift it and agitate up and down in the solution several times to dislodge grease residue.
4. Carefully remove the EAC from the tank and rinse thoroughly in a sink using hot water spray.
5. Stand cell on end with contact plate up and allow to air dry overnight.
6. Inspect cell for broken wires or bent fins. Any broken wires need to be replaced promptly. Bent fins may be gently straightened by hand, if needed.



- **With proper care, cleaning, and handling, the EAC cell is designed to provide years of service. It is important that it be cleaned daily as described above.**

4-03.3. Charcoal Filter Maintenance

WARNING

- **NEVER attempt to clean and re-use the Charcoal Filter. Damage to the unit could result.**

The Charcoal Filter cannot be cleaned ... it is to be replaced **ONLY**.

Replace the Charcoal Filter every 30 days using replacement Part No. 31963. It is advised that the installation date be recorded in the space provided on the new filter's label.

4-04. Filter Alarm Chart

Alarm Sound	What will happen	Filter affected	Cause	Solution	See Section
Continuous tone	Alarm sounds, Charcoal or Baffle Filter Clogged lamp illuminates, and power to the appliance is shutdown. Appliance Powered light is OFF .	Charcoal	Filter dirty or otherwise clogged	Replace Filter	4-02.02. & 4-02.03.
Continuous tone	Alarm sounds, Charcoal or Baffle Filter Clogged lamp illuminates, and power to the appliance is shutdown. Appliance Powered light is OFF .	Baffle	Filter dirty or otherwise clogged	Remove and clean Filter	4-02.02. 4-02.03. & 4-03.01.
Intermittent tone	Check and/or Wash LED's are illuminated, alarm sounds and after approx. 2 minutes, power to the appliance is shutdown. Appliance Powered light is OFF .	E.A.C.	Filter dirty or damaged	Clean Filter. Replace or repair Filter if needed	4-02.02. 4-02.03. & 4-03.02.



NOTES:

5. Hood Cleaning & Maintenance

This Section describes the steps to generally maintain and clean the OVH-10-C Hood. Attention to these procedures will help ensure the hood remains in good operating condition and continues to run efficiently and safely.

A **Maintenance & Service Log** is provided in this manual, see Table 5.03.

5-01. Monthly Interlock Check

The Hood design incorporates various interlock devices to ensure that the unit will shutdown in the event that certain conditions exist that are not consistent with safe and effective operation. These interlocks should be tested MONTHLY as described below. Use the **Maintenance & Service Log** and place a check in the box that corresponds to each functional test. If a problem is found, contact a service provider.

1. **Door Interlock Check:** Turn power switch **ON**. With Hood running, unlatch and slightly open the Filter Access door. Confirm Hood powers off when door is opened. Check the under-hood appliance to ensure that it cannot be turned on.
2. **Baffle Filter Check:** Place power switch in the **OFF** position, open Access Door and remove the Baffle Filter. Close door and turn power **ON**. The red **Baffle or Charcoal Filter Missing** light should illuminate and the **Appliance Powered** light should be **OFF**. Check the under-hood appliance to ensure that it cannot be turned on. Turn power **OFF** and reinstall the Baffle Filter.
3. **EAC Filter Check:** Place power switch in the **OFF** position, open Access Door and remove the EAC Filter. Close door and turn power **ON**. All three EAC status LED's should illuminate and after approximately 2 minutes, an intermittent tone (beeping) alarm should sound. The **Appliance Powered** light should turn **OFF**. Check the under-hood appliance to ensure that it cannot be turned on. Turn power switch **OFF** and reinstall EAC Filter.
4. **Charcoal Filter Check:** Place power switch in the **OFF** position, open Access Door and remove the Charcoal Filter. Close door and turn power **ON**. The red **Baffle or Charcoal Filter Missing** light should illuminate and the **Appliance Powered** light should be **OFF**. Check the under-hood appliance to ensure that it cannot be turned on. Turn power **OFF** and reinstall the Charcoal Filter.
5. **Filter Clogged Check:** Perform this check ONLY after installing a new Charcoal Filter. The easiest method for checking the clogged filter interlock is to completely cover the hood's exhaust outlet with piece of cardboard while the hood is running and the appliance power is **ON**. A continuous tone alarm should sound as the exhaust is covered, the red **Baffle or Charcoal Filter Clogged** light should illuminate and the **Appliance Powered** light should turn **OFF**. The appliance should also turn **OFF** during this time. Remove the obstruction; the alarm should silence and power should be restored to the appliance. If the alarm tone does not sound, fails to silence, or the appliance fails to turn **OFF** or turn **ON**, contact a service agent to have the Clogged Filter interlock checked.

5-02. Hood Cleaning

CAUTION

- DO NOT** wash down hood with water from a spray hose.
- DO NOT** steam clean or use any type pressure washer.
- DO NOT** use products containing chlorine or other caustic chemicals.
- DO NOT** use abrasive products, steel wool or scouring pads.

5-02.1 Weekly Cleaning

Weekly cleaning is recommended, as a minimum, to maintain the Hood's appearance and prevent future problems.

1. Turn off hood and appliance power, preferably at the breaker.
2. Remove the Air Baffle and clean with a sponge or cloth and a mild degreaser to remove any build-up. Refer to **Section 2-05, Air Baffle Installation**.
3. With Air Baffle removed, clean the under-hood area and all exterior surfaces with mild degreaser or a good quality stainless steel cleaner and re-install the Air Baffle.
4. Clean the Hood Base under the appliance to remove any residue.

5-02.2 Quarterly Cleaning

To maintain effectiveness and performance, the hood must be deep cleaned, at a minimum, every 3 months.

1. Disconnect power to the unit, preferably at the breaker.
2. If possible, disconnect and remove the under-hood appliance.
3. Remove all filters from the hood.
4. Using a soft cloth, sponge, or towel and a mild bio-degradable degreaser, clean the entire hood plenum and blower section to remove grease film accumulation from interior surfaces. Inspect the hood fan and clean any grease build-up from the fan blades.
5. Thorough clean the under-hood area and all exterior surfaces with mild degreaser or a good quality stainless steel cleaner.
6. Allow hood to thoroughly dry or wipe dry with clean dry cloth.
7. Clean filters as needed and replace.
8. Restore supply power to hood.



Notes:

6. *Trouble-Shooting*

This section describes basic troubleshooting procedures for the OVH-10-C Hood. The wiring diagram attached inside the back cover is provided to assist qualified technicians with more in-depth troubleshooting.

⚠ DANGER

- Troubleshooting for electrical problems should be performed **ONLY** by a qualified service technician or electrician. Serious injury, or even death, will result from contact with energized electrical components.
- Failure to comply with these **DANGER** notices can result in death or serious injury, equipment or property damage, and possibly void the warranty.

6-01. Troubleshooting Procedures

Problem	Probable Cause	Corrective Action
Hood will not turn on	a. Filter Access Door not in place	Install & secure Access Door.
	b. On ILS Model "PUSH TO START" button not held for at least 5 seconds	Hold down "PUSH TO START" button for 5 secs.
	c. Power Switch is faulty	Replace Power Switch.
	c. Improper supply voltage	Connect to proper electrical supply.
	e. Not properly connected to power source.	Confirm connections & correct.
	f. Blown fuse or tripped circuit breaker.	Check fuse in hood and main breaker box.
Charcoal or Baffle Filter Missing light illuminated at Initial Start-up	a. Baffle Filter is not installed or not properly seated	Install Baffle Filter and/or check alignment in track.
	b. Charcoal Filter is not installed or not properly seated	Install Charcoal Filter and/or check alignment in track.
CHECK and/or WASH LED illuminated & intermittent (beeping) alarm sounding	a. EAC shorted (damaged)	Replace or repair the EAC cell.
	b. EAC dirty	Clean the EAC cell.
	c. EAC high voltage power supply is faulty.	Replace high voltage power supply.
	d. High voltage wires shorted to ground.	Correct shorted condition.
	e. Faulty EAC contact plate	Replace contact plate.

6-01. Troubleshooting Procedures (Continued)

Problem	Probable Cause	Corrective Action
Appliance will not heat ... • Hood Powered light ON • FILTER MISSING light ON • APPLIANCE POWERED light OFF	a. Baffle Filter missing or not properly installed	Install Baffle Filter or check alignment.
	b. Baffle Filter missing or not properly installed	Install Charcoal Filter or check alignment.
	c. Filter switch(es) faulty	Replace Filter switch(es).
Appliance will not heat ... • Hood Powered light ON • FILTER CLOGGED light ON • APPLIANCE POWERED light OFF • Continuous tone alarm sounding	a. Baffle or Charcoal Filter clogged	Replace Charcoal Filter or clean Baffle Filter.
	b. Hood exhaust outlet excessively block	Confirm exhaust is clear and min. clearance requirement is met.
	c. Vacuum Switch (clogged filter sensor) is out of adjustment	Have vacuum switch adjusted.
	d. Kinked or blocked vacuum line	Remove vacuum line kinks or blockage.
	e. Fan running slow or blades are loaded with grease film	Check voltage and inspect blower, clean if needed
Appliance will not heat ... • Hood Power light ON • CHECK and/or WASH LED's ON • APPLIANCE POWERED light OFF • Intermittent tone (beeping) alarm sounding	a. EAC is shorted	Repair or replace EAC cell.
	b. EAC excessively dirty	Clean EAC cell.
	c. EAC power supply is faulty	Replace EAC power supply.
	d. EAC wires shorted to ground	Check voltage, check wiring.
	e. Contact Plate is faulty	Replace Contact Plate.
	f. EAC driver board is faulty	Replace EAC driver module.
	g. Too many EAC ionizer wires broken or missing	Replace ionizer wires.
	h. EAC cell is not installed	Install clean EAC cell.

7. *Parts List*

This section lists the various field-replaceable parts available for the OVH-10-C Countertop Hood.

7-01. Parts Ordering and Service Information

If you require assistance or need repairs, please contact a Giles Manufacturer's Representative or Dealer to assist with locating an authorized service provider in your area. For further assistance, please contact Giles Enterprises directly at the following phone numbers:

IN THE UNITED STATES, CANADA or MEXICO

Call **800.554.4537** during normal business hours, 8:00 AM to 5:00 PM Central Time; other than normal business hours, call **800.554.4537** and follow recorded prompts to reach after-hours support.

IN ALL OTHER COUNTRIES

Call **334.272.1457** during normal business hours, 8:00 AM to 5:00 PM Central Time; other than normal business hours, call **334.272.1457** and follow the recorded prompts.

INTERNET

Please visit our website at: www.gfse.com or e-mail services@gfse.com.

The goal of the Giles team is to provide you with the highest quality service and assistance possible. To help us accomplish this please have the following information readily available when calling, along with the nature of the problem you are encountering. This information is recorded on a Serial Plate or Label attached to the unit.

Record information here for quick future reference.

Model Name: _____

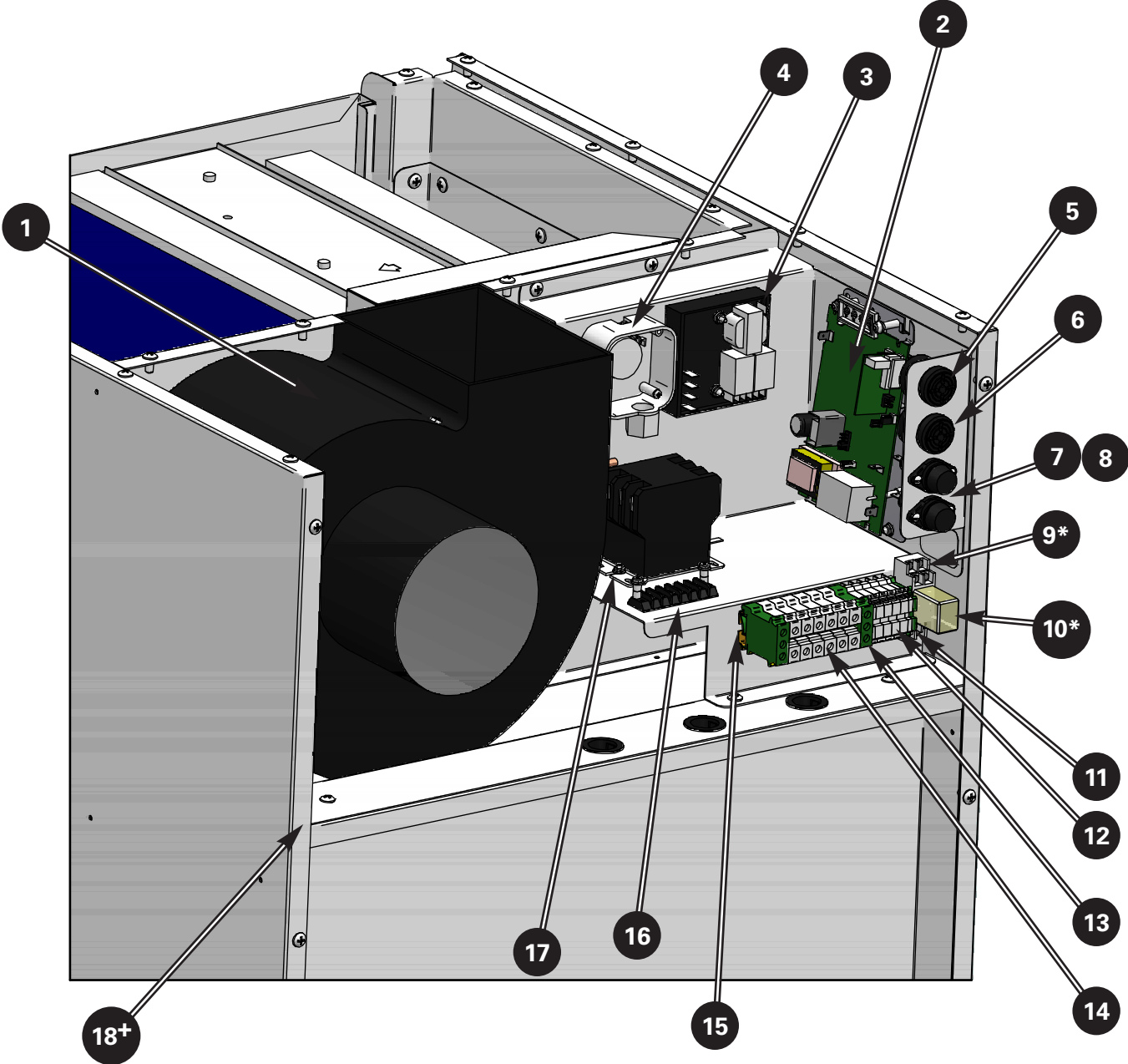
Serial Number: _____

Voltage: _____

Phase: _____

Date unit was installed: _____

7-02. Rear Electrical Components



* ILS Model Only
+ Not Shown

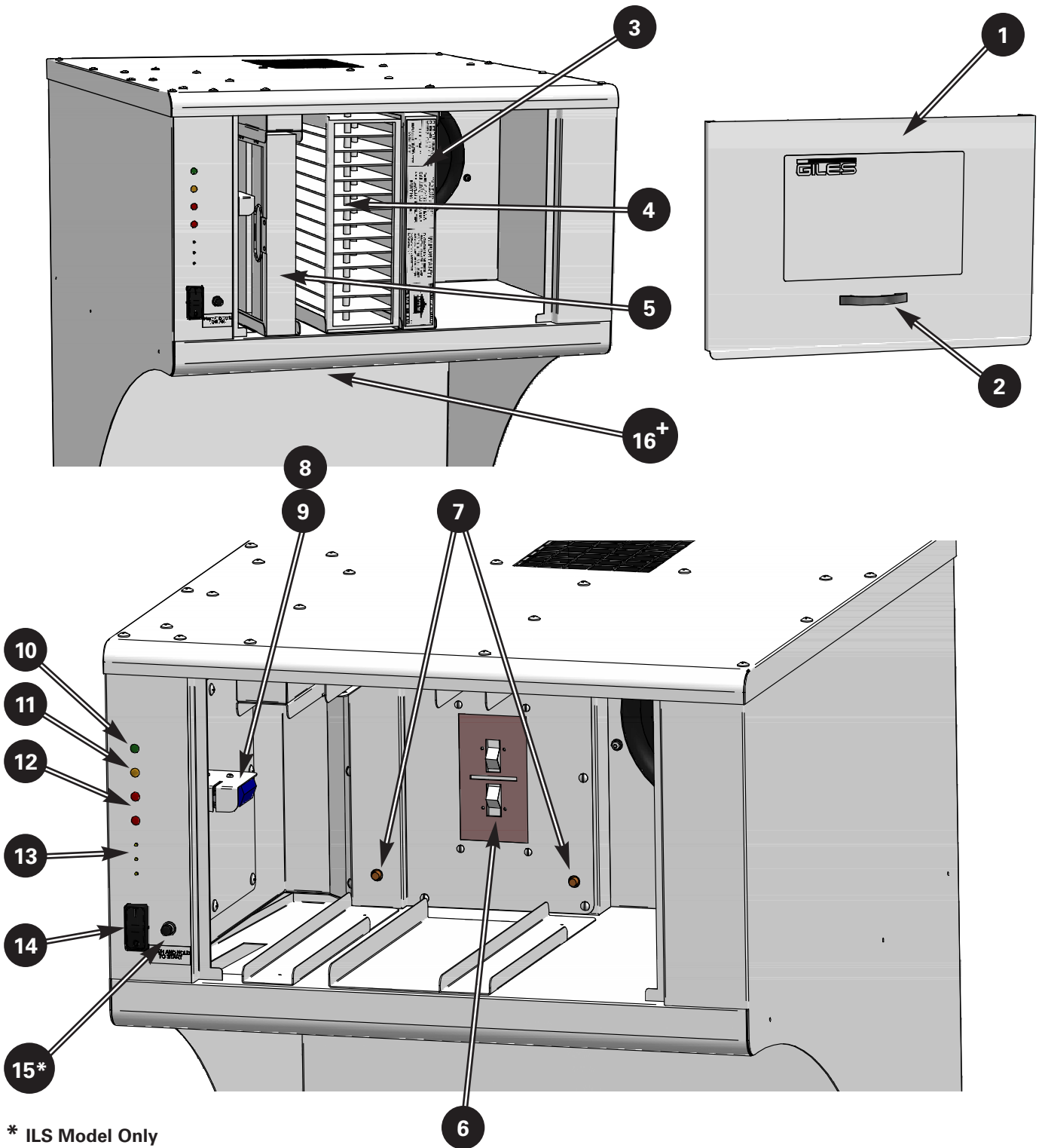
7-02. Parts List for Rear Components

Item	Part No.	Qty.	Description
1	33589	1	BLOWER ASSEMBLY, VH-FRYERS/HOODS
2	24208	1	EAC POWER SUPPLY & DRIVER BOARD, 208-240V
3	23776	1	AIR FILTER ALARM & SHUTDOWN MODULE
4	20473	1	VACUUM SWITCH, DUNGS, 0.4 > 4.0 WC
5	23782	1	SONALERT, CONTINUOUS TONE, 250V
6	22950	1	SONALERT, INTERMITTENT TONE, 250V
7	21950	2	FUSE HOLDER, 300V, 15A, SC 0 - 15
8	21875	2	FUSE, 6-AMP, SC-6
9*	20312	1	RELAY BASE, PLUG-IN, DIN MOUNT
10*	20318	1	RELAY, 240 VAC, 10A, ELECTRO-MECH
11	20320	1	TERMINAL BLOCK, GROUND, AWG 8-24
12	20319	5	TERMINAL BLOCK, 50 AMP, AWG 8-24
13	20304	2	TERMINAL BLOCK, GROUND, 4-12 GA WIRE
14	20303	6	TERMINAL BLOCK, 4-12 GA WIRE
15	91717	1	RAIL, DIN-3, 7.00-IN
16	23751	1	TERMINAL BLOCK, MA106
17	21151	1	CONTACTOR, 63-AMP, 3PH, 208/240V
18+	94092	1	HOOD BACK PANEL

* ILS Model Only

+ Not Shown

7-03. Hood Front, Filter & Fan Compartment



* ILS Model Only
+ Not Shown

7-03. Parts List for Hood Front, Filter & Fan Compartment

Item	Part No.	Qty.	Description
1	94091	1	FILTER ACCESS PANEL
2	42825	1	HANDLE
3	31963	1	CHARCOAL FILTER ASSY, 16 X 12-3/8 X 2
4	22360	1	E.A.C. FILTER, 16"
5	45096	1	BAFFLE FILTER, 12 X 16, STAINLESS STEEL
6	21125	1	CONTACT BOARD, E.A.C.
7	24237	2	PLUNGER SWITCH, 250V, 15A
8	21157	1	LIMIT SWITCH, 250V, 15A
9	94088	1	DOOR SWITCH BRACKET
10	20398	1	INDICATOR LIGHT, GREEN, 250V, 0.5W
11	20399	1	INDICATOR LIGHT, AMBER, 250V, 0.5W
12	20402	2	INDICATOR LIGHT, RED, 250V, 0.5W
13	24209	1	L.E.D. CLUSTER, E.AC. FILTER
14	21190	1	ROCKER SWITCH, D.P.S.T. 250V, 10A
15*	23173	1	PUSH-BUTTON SWITCH, MOMENTARY
16+	94100	1	AIR DIVERTER

* ILS Model Only

+ Not Shown



NOTES:





Giles Enterprises, Inc.

2750 Gunter Park Drive West • Montgomery, Al 36109 USA

Phone 334.272.1457 • Toll Free 800.554.4537 (USA & Canada Only) • FAX 334.239.4117 • www.gfse.com

Form No. 65906 (Release Date 8/27/12: Rev. A)