



# **ACCU-STEAM™ GAS GRIDDLE PARTS MANUAL**

# DOCUMENT HISTORY

---

---

Current revision: –	Prior revision:	None
Date: 08/08/08	Date:	None
Change		
Initial release.		

---

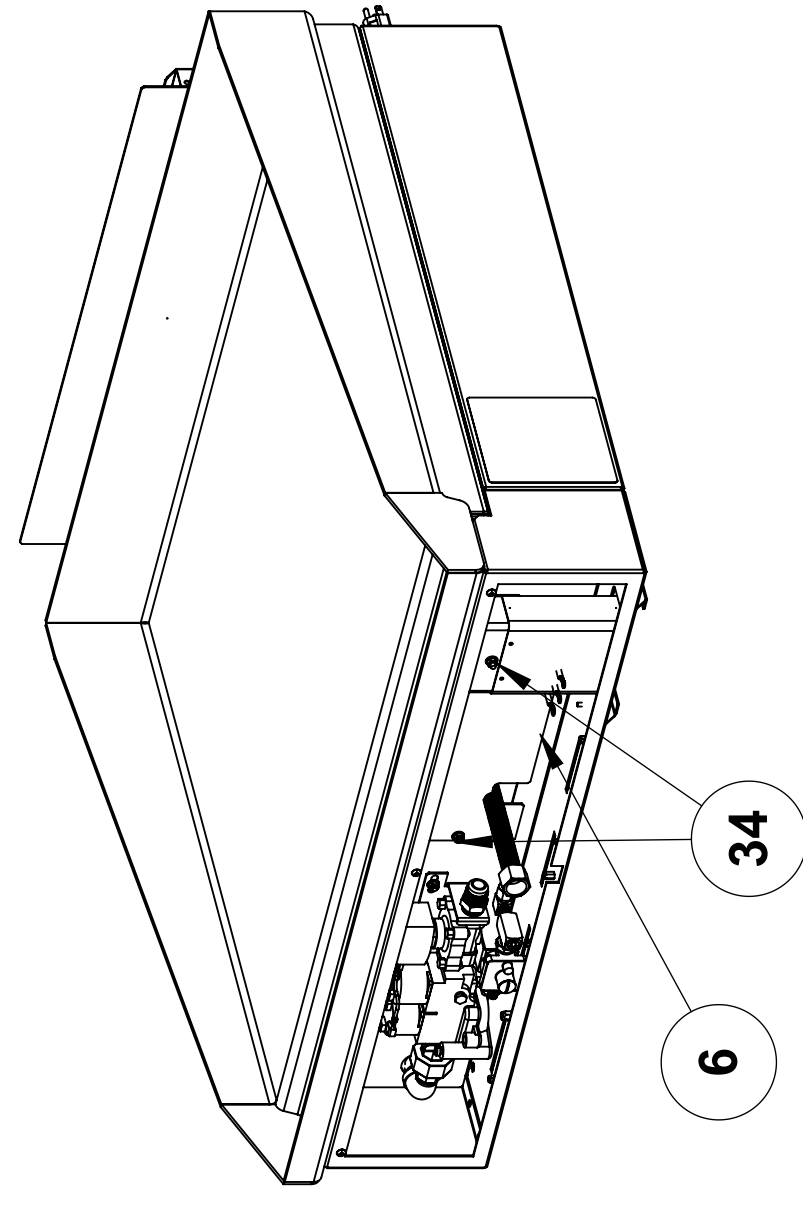
---

---

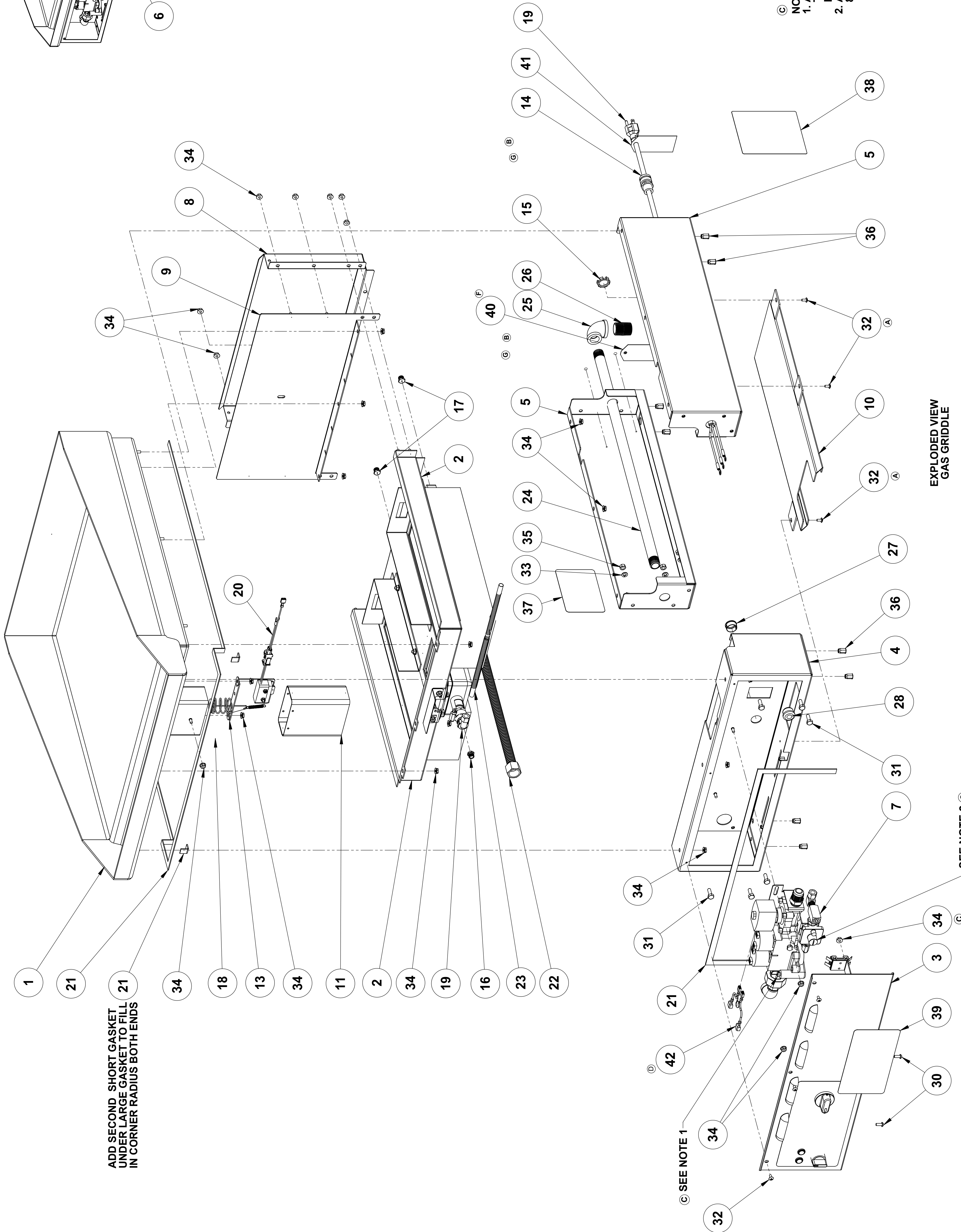
# TABLE OF CONTENTS

<b>DOCUMENT HISTORY</b>	<b>i</b>
<b>TABLE OF CONTENTS</b>	<b>ii</b>
<b>GAS GRIDDLE ASSEMBLY - AT2A-2813</b>	<b>1 – 2</b>
<b>COMMBUSTION CHAMBER ASSEMBLY – AT2A-2818</b>	<b>3-5</b>
<b>PILOT BURNER ASSEMBLY – AT2A-2255</b>	<b>6</b>
<b>GAS CONTROL VALVE ASSEMBLY</b>	<b>7</b>
<b>CONTROL PANEL</b>	<b>8-10</b>
<b>HIGH LIMIT OVERTEMP ASSEMBLY</b>	<b>11</b>
<b>GAS APPLIANCE CONVERSION KIT</b>	<b>12</b>
<b>KIT CONTROL, KNOB GUARD</b>	<b>13</b>
<b>PARTS LIST – PAGE REFERENCE</b>	<b>14-15</b>





CONTROL PANEL & GASKET  
NOT SHOWN  
©



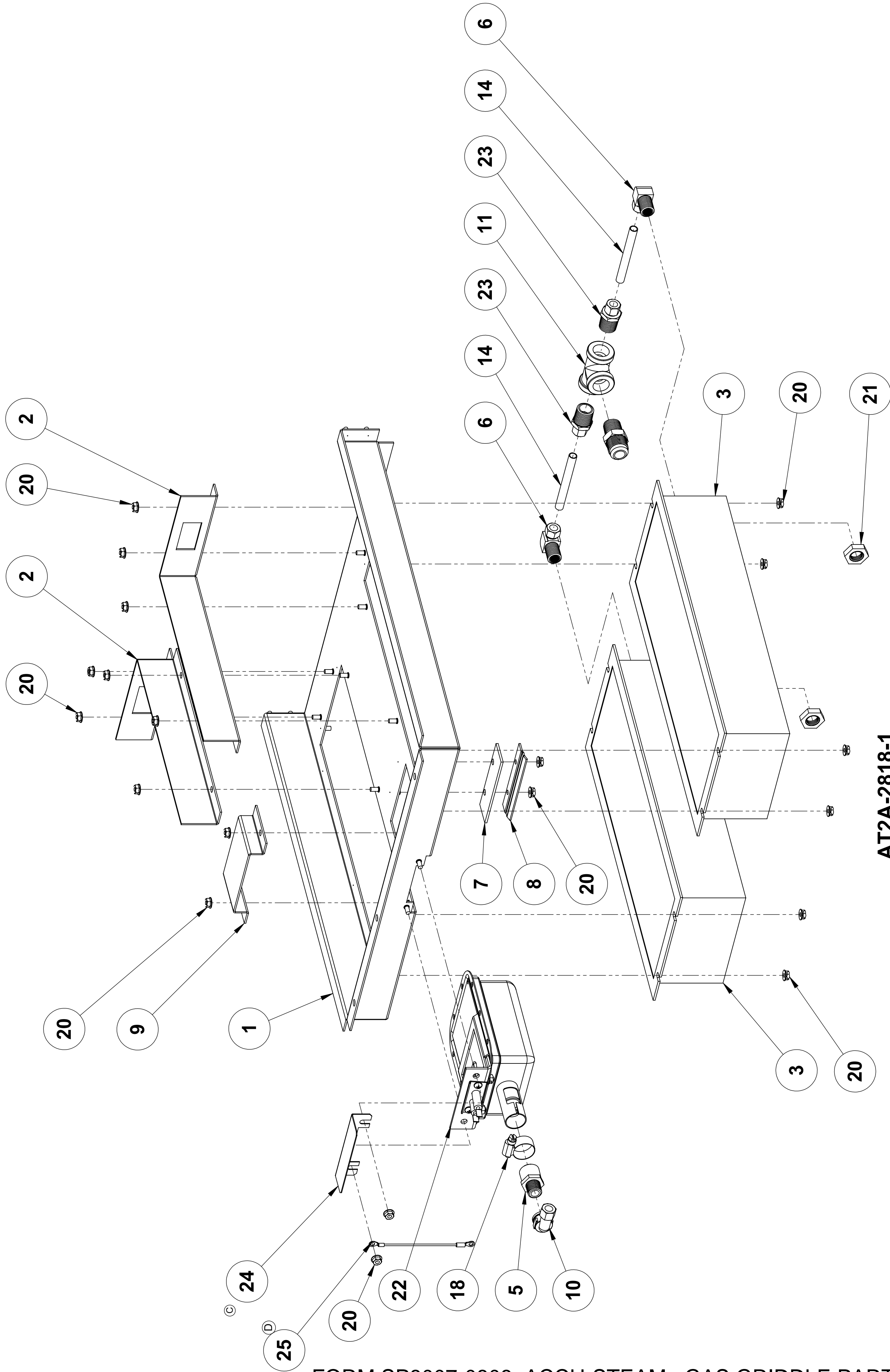
ADD SECOND SHORT GASKET UNDER LARGE GASKET TO FILL IN CORNER RADIUS BOTH ENDS

NOTES  
 1. ADJUST MAIN GAS REGULATOR CONTROL VALVE TO 5" W.C. FOR NATURAL GAS, 10" W.C. FOR PROPANE LOCATED IN ITEM #7  
 2. ADJUST PILOT REGULATOR TO 3.5" W.C. FOR NATURAL GAS, 8" W.C. FOR PROPANE LOCATED IN ITEM #7

Accutemp Products, Inc. 8415 N. Clinton Park Fort Wayne, IN 46825		Name	Date
Drawn	ALB	05-05-04	
Checked	GLS	05-05-04	
Project Eng	GLS	05-05-04	
Material	N/A		
Finish	N/A		
Comments:	Do Not Scale Drawing		
Size	D	AT2A-2813	Rev
Scale	1:4	EDR: 062	Sheet 2 of 2

EXPLODED VIEW  
GAS GRIDDLE

SEE NOTE 2 ©



**AT2A-2818-1  
COMBUSTION CHAMBER 24"**

QTY	PART NO.	ITEM	DESCRIPTION
1	AT0A-3506-1	25	GROUNDING HARNESS ASSEMBLY
1	AT2M-3299-1	24	SHIELD, WIRE HEAT
2	AT0P-2097-2	23	COMPRESSION FITTING
1	AT2A-2255-2	22	PILOT BURNER ASSY
3	AT0F-2909-1	21	NPT PIPE LOCKNUT
32	AT0F-1017-41002	20	NUT, #10-24UNC HEX SERRATED
		19	
1	AT0F-2908-1	18	HOSE CLAMP
1	AT2P-2105	17	18.5" LONG 3/8 FLEXTUBE COMP ENDS
1	AT0P-2096-1	16	ELBOW 90° COMPRESSION
2	AT2M-2824-1	15	BARRIER, FLU GAS - SHORT
	AT0P-2276-1	14	SEAMLESS TUBING
2	AT0P-2276-2	14	SEAMLESS TUBING
1	AT0P-2845-1	13	MALE ADAPTER, 5/8" OD FLARE X 1/2 NPT X 3/8 NPT
1	AT0P-2844-1	12	CROSS, 1/2 NPT SCH 40
	AT0P-2090-1	11	TEE 1/2 NPT SCH 40
1	AT0P-2094-1	10	ELBOW 90° COMPRESSION
1	AT2M-2881-1	9	DEFLECTOR, GAS GRIDDLE
1	AT2M-2792-1	8	BRKT, STEP
1	AT2M-2791-1	7	SPACER, BURNER
3	AT0B-2891-1	6	ELBOW 90° COMPRESSION
1	AT0B-2890-1	5	ORIFICE, ADAPTER
3	AT2B-2099-1	4	30,000 BTU IR MAIN BURNER
	AT2B-2131-1	3	20,000 BTU IR MAIN BURNER
	AT2M-2795-4	2	BARRIER, FLUE GAS
	AT2M-2795-3	2	BARRIER, FLUE GAS
1	AT2M-2795-2	2	BARRIER, FLUE GAS
	AT2M-2795-1	2	BARRIER, FLUE GAS
1	AT2A-2790-3	1	COMBUSTION BOX ASSEMBLY
	AT2A-2790-1	1	COMBUSTION BOX ASSEMBLY
	AT2A-2790-2	1	COMBUSTION BOX ASSEMBLY

Unless otherwise specified, Dimensions: Inches  
 Bends: 90°  
 Tolerances:  
 Angular: ±1°  
 2 Place Decimal: ±.02  
 3 Place Decimal: ±.005  
 1 LR: ±.005  
 1/25 Micro Inches  
 GD&T Per ANSI Y14.5M  
 Comments:  
 Do Not Scale Drawing

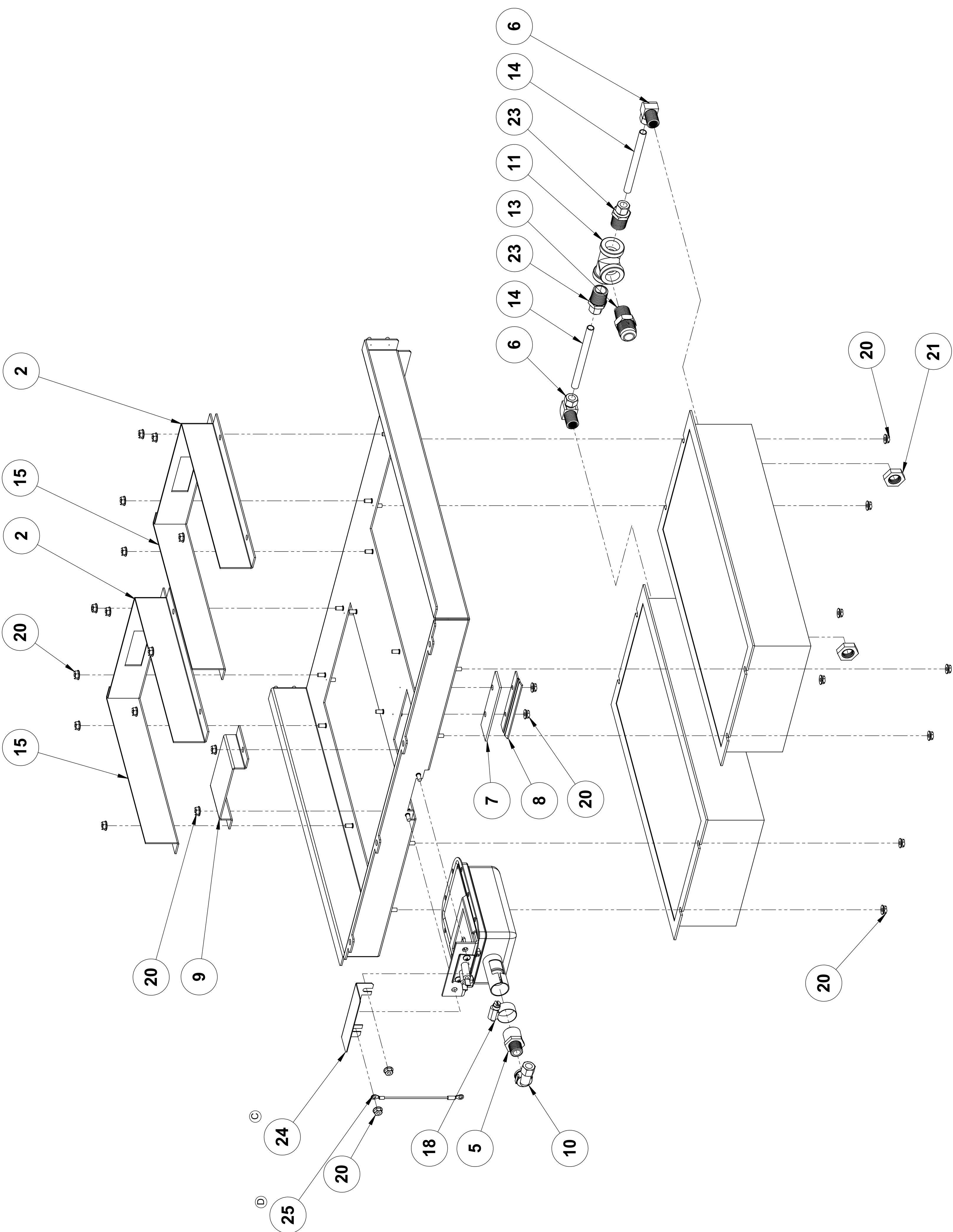
Drawn	ALB	Date	06-14-04
Checked	GLS	Project Eng	GLS
		Title	06-14-04
Material:			
Finish:			

AccuTemp Products, Inc  
 8415 N. Clinton Park  
 Fort Wayne, IN 46825

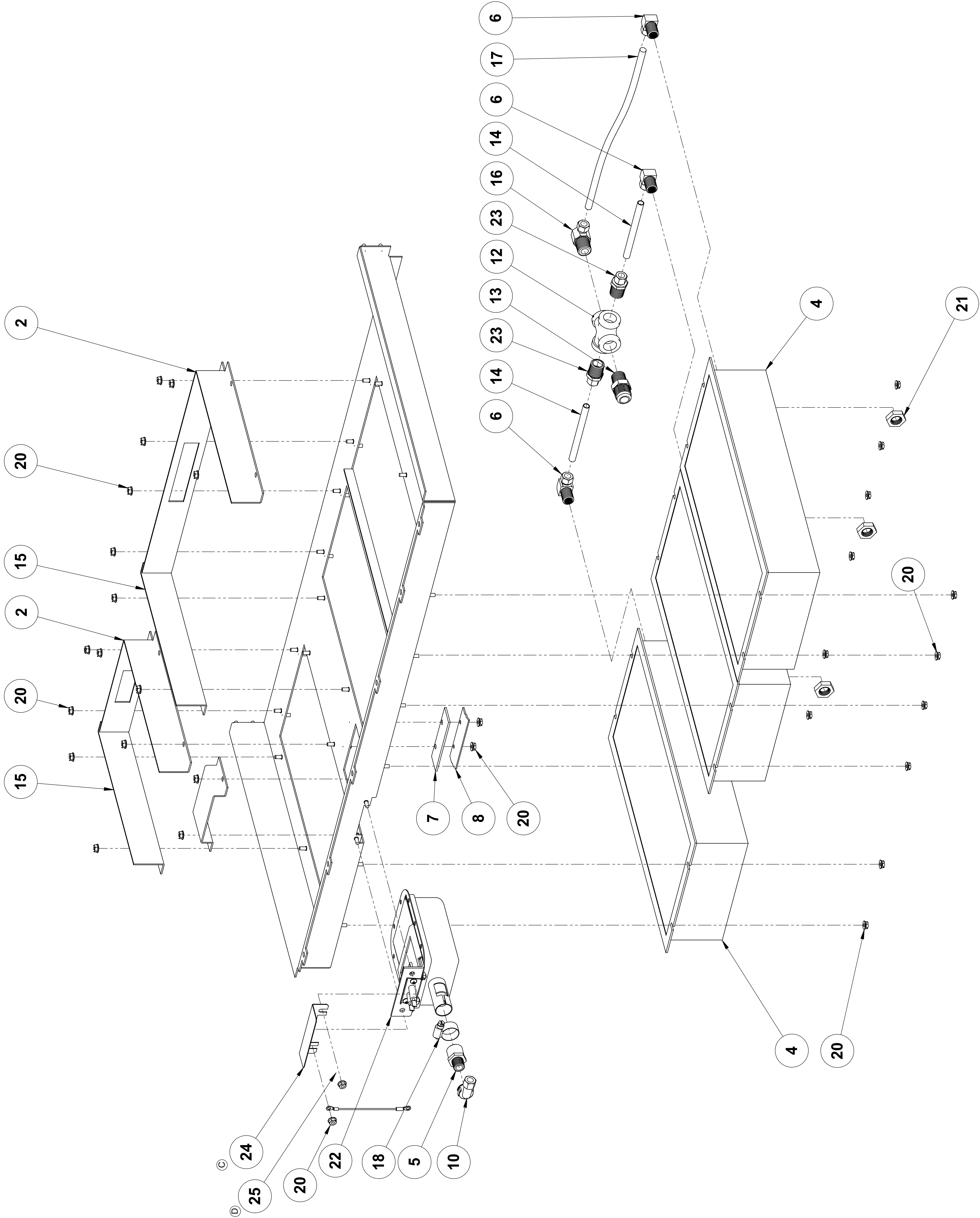
**COMBUSTION CHAMBER ASSEMBLY**

Size: Drawing No.: **D** AT2A-2818  
 Rev: **D**  
 Scale: 1:3 EDR: 045F  
 Sheet 1 of 3

Unless otherwise specified, Part Units: Inches  
 Tolerances: .01"  
 Angular: .1"  
 2 Place Decimal: .02  
 3 Place Decimal: .005  
 1 LR: .005  
 1/125 Micro Inches  
 GD&T Per ANSI Y14.5M  
 Comments: Do Not Scale Drawing



AT2A-2818-2  
 COMBUSTION CHAMBER 36"



AT2A-2818-3  
COMBUSTION CHAMBER 48"

Unless otherwise specified, Part Units: Inches		Name	Date
Tolerances:	Angular: ±1°	Drawn	05-14-04
2 Place Decimal: ±.02	3 Place Decimal: ±.005	ALB	05-14-04
1 Place Decimal: ±.005	Tolerance: ±.005	Checked	GLS
GD&T Per ANSI Y14.5M		Project Eng	GLS
Comments:		Material:	05-14-04
Do Not Scale Drawing		N/A	
		Finish:	N/A
		Size:	D
		Drawing No.:	AT2A-2818
		Rev.:	D
		Scale:	1:3 EDR: 045F
		Sheet 3 of 3	



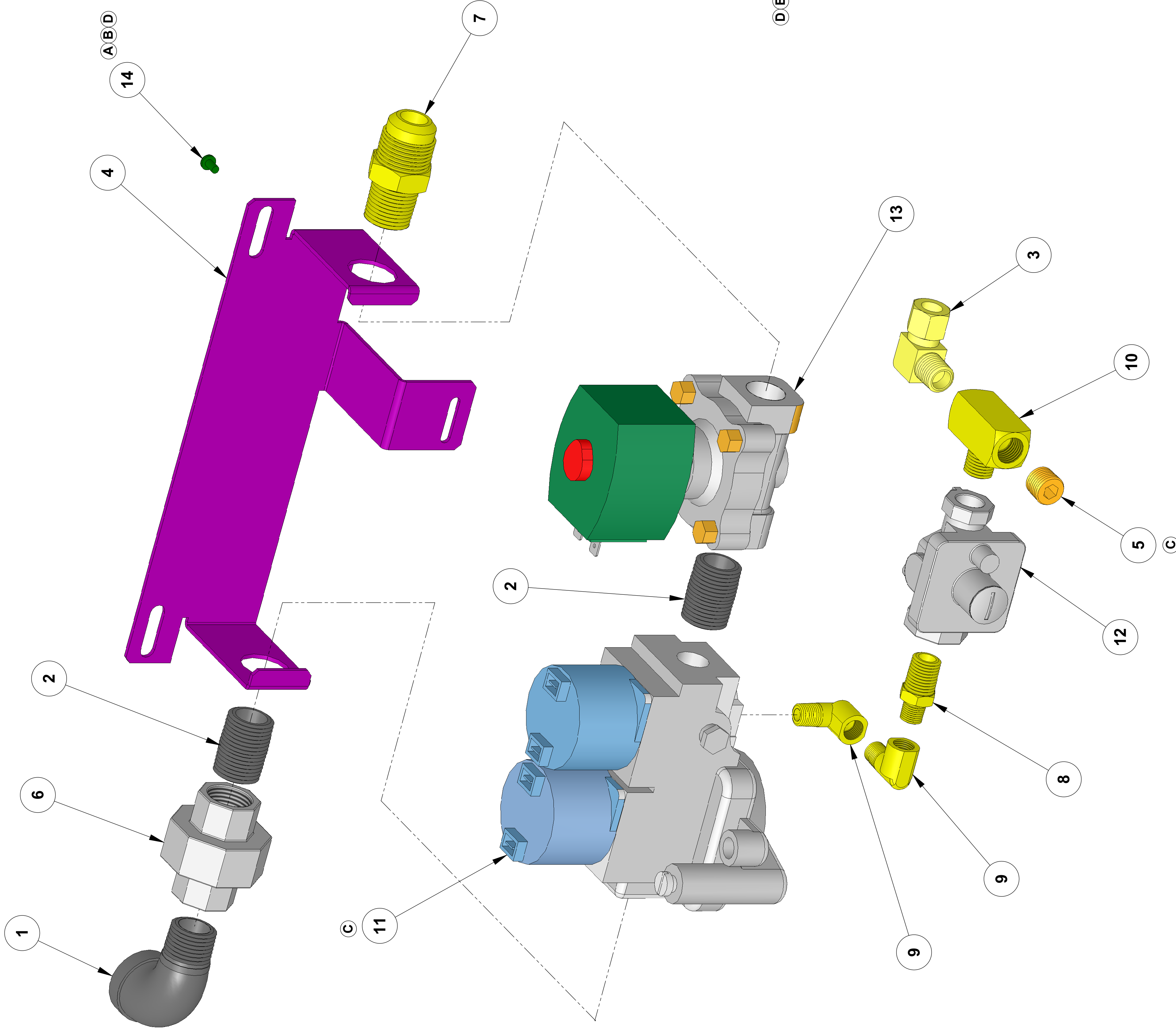
AccuTemp Products, Inc  
8415 N. Clinton Park  
Fort Wayne, IN 46825

COMBUSTION CHAMBER  
ASSEMBLY



NOTES: UNLESS OTHERWISE SPECIFIED

1. ALL PIPE THREADS TO BE SEALED WITH THREAD SEALANT OR THREAD TAPE APPROVED FOR GAS.



AT2A-2850-2  
GAS CONTROL VALVE ASSEMBLY PROPANE

AT2A-2850-2  
GAS CONTROL VALVE ASSEMBLY PROPANE  
OTHERWISE SAME AS AT2A-2850-1

QTY	QTY	PART NO.	DESCRIPTION
1	1	AT0F-3222-21025	14 SCREW, PHILLIPS PAN HEAD #6-32 TYPE F 1/4"
1	1	AT2E-2087-1	13 MAIN BURNER VALVE
1	-	AT0P-2847-2	12 PRESSURE REGULATOR, PROPANE GAS
-	1	AT0P-2847-1	12 PRESSURE REGULATOR, NATURAL GAS
1	-	AT2E-1806-3	11 CONTROL VALVE, GAS 10" W.C. PROPANE GAS
-	1	AT2E-1806-2	11 CONTROL VALVE, GAS 5" W.C. NATURAL GAS
1	1	AT0P-2858-1	10 TEE MALE BRANCH
2	2	AT0P-2849-3	9 STREET ELBOW 90°
1	1	AT0P-2848-1	8 REDUCING HEX NIPPLE
1	1	AT0P-2845-1	7 MALE CONNECTOR
1	1	AT0P-2843-1	6 UNION BLACK IRON PIPE
1	1	AT0P-3024-2	5 PLUG COUNTERSUNK HEX HEAD
1	1	AT2M-2838-1	4 BRKT GAS REGULATOR
1	1	AT0P-2096-2	3 ELBOW 90° COMPRESSION
2	2	AT0P-2091-4	2 CLOSE NIPPLE PIPE
1	1	AT0P-2089-4	1 ELBOW, STREET 90°

AccuTemp Products, Inc  
8415 N. Clinton Park  
Fort Wayne, IN 46825

AccuTemp

**GAS CONTROL VALVE ASSEMBLY**

Drawing No.: **D** AT2A-2850

Rev: **D**

Scale: 1:1 EDR: 045E

Sheet 1 of 1

Unless otherwise specified, Dimensions: Inches

Tolerances:

Angular: ±1°

2 Place Decimal: ±.02

3 Place Decimal: ±.005

1/16 Inch: ±.005

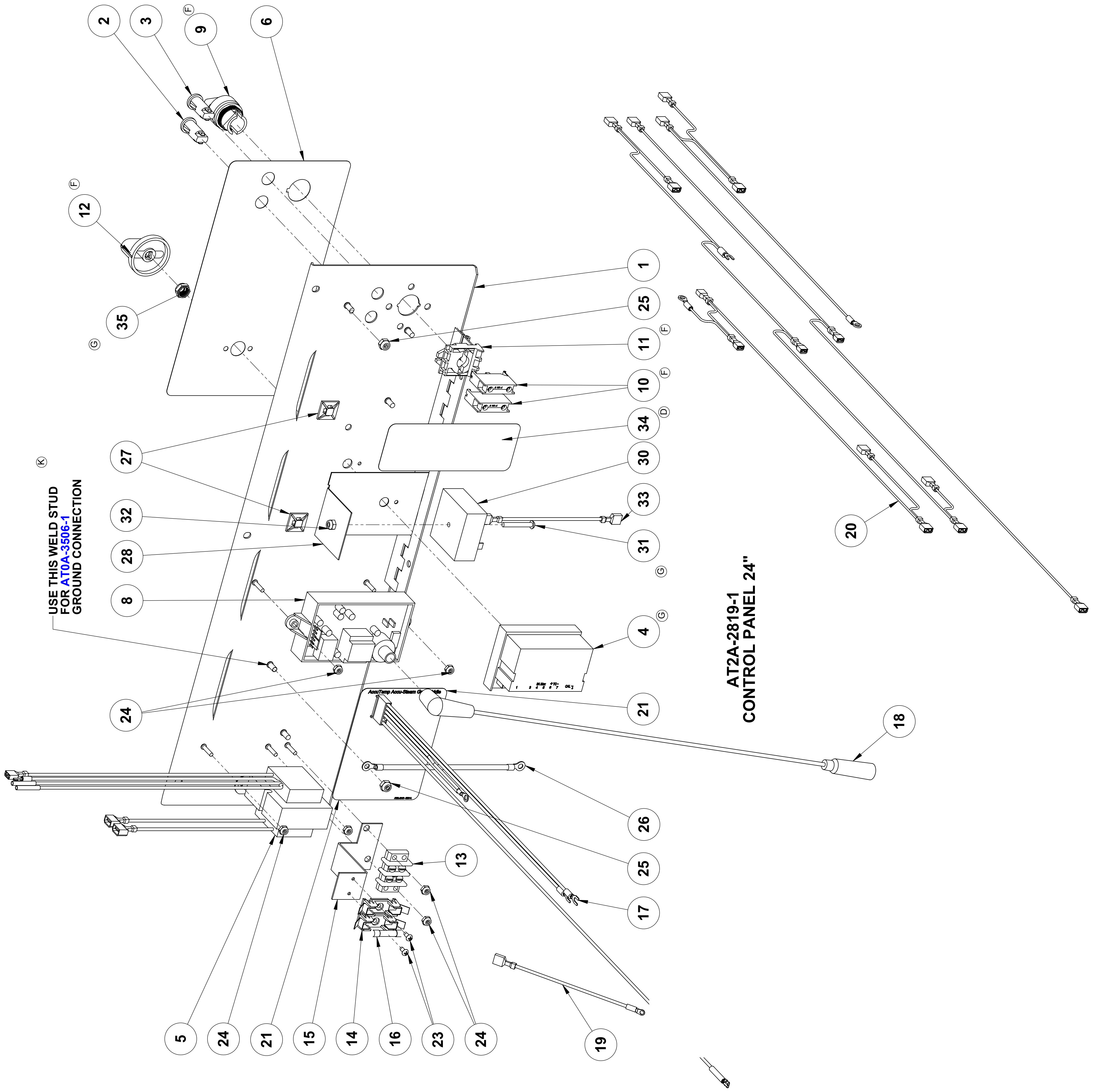
1/32 Inch: ±.005

1/64 Inch: ±.005

Comments: GD&T Per ANSI Y14.5M

DO NOT Scale Drawing

Name	Date
Drawn ALB	03-25-04
Checked G.S.	05-07-04
Project Eng. G.S.	05-07-04
Material:	N/A
Finish:	



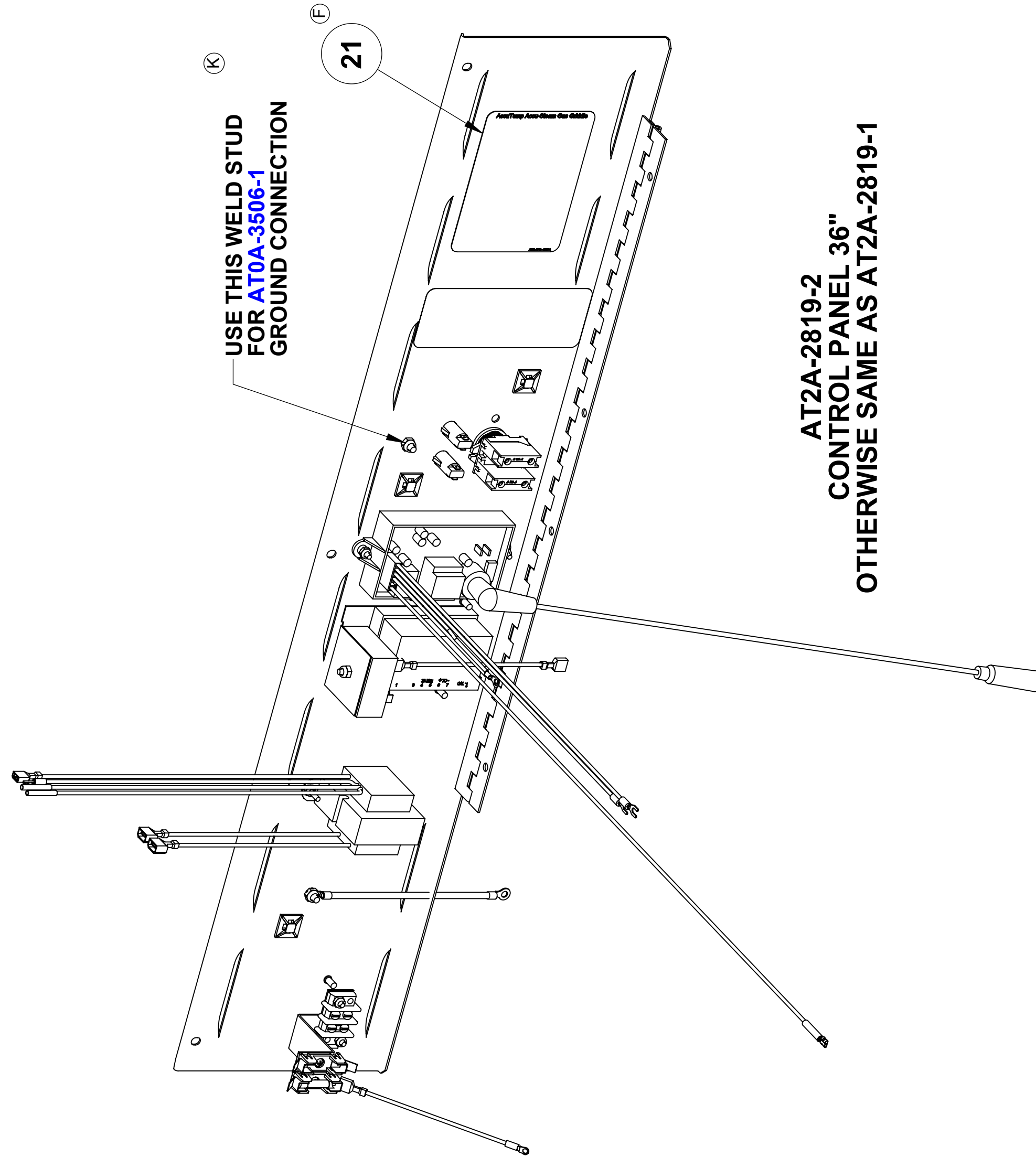
QTY	AT2A-2819-6	AT2A-2819-5	AT2A-2819-4	AT2A-2819-3	AT2A-2819-2	AT2A-2819-1	PART NO.	ITEM	DESCRIPTION
1	1	1	1	1	1	1	AT0F-3390-1	37	NUT, HEX THIN 3/8-32UNEF-2B
-	-	1	1	1	1	1	AT0F-3371-1	36	NUT, ROTARY SHAFT SEAL
1	1	1	1	1	1	1	AT2L-2014-1	35	SUPPLEMENTAL DATA TAG
1	1	1	1	1	1	1	AT0A-2615-4	34	WIRE HARNESS
1	1	1	1	1	1	1	AT0F-2691-31002	33	NUT, #8-32 NYLOC
1	1	1	1	1	1	1	AT0F-2755-31102	32	SCREW, #8-32UNC X 1 1/4 PHILIPS ROUND HEAD MACHINE
1	1	1	1	1	1	1	AT2H-2500	31	TIMER RELAY
1	1	1	1	1	1	1	AT2L-2715-5	30	OVERLAY, CONTROL PANEL
1	1	1	1	1	1	1	AT2M-2478	29	TIMER RELAY BRKT
4	3	2	4	3	2	2	AT0H-2887-1	28	CABLE TIE MOUNT
1	1	1	1	1	1	1	AT0A-2914-1	27	LANYARD
4	4	2	2	2	2	2	AT0F-2691-41002	26	NUT, #10-24 NYLOC
6	6	6	6	6	6	6	AT0F-2691-21002	25	NUT, #6-32 NYLOC
2	2	2	2	2	2	2	AT0F-2755-21020	24	SCREW, #6-32UNC X 1/4 PHILIPS ROUND HEAD MACHINE
-	-	-	-	-	-	-	AT2M-2906-2	23	BRACKET TEMP CONTROLLER
1	1	1	1	1	1	1	AT2M-2906-1	22	BRACKET TEMP CONTROLLER
1	1	1	1	1	1	1	AT2L-2043-1	21	WIRING DIAGRAM
1	1	1	1	1	1	1	AT2A-2898-1	20	HARNESS ASSEMBLY
1	1	1	1	1	1	1	AT2A-2822-1	19	HARNESS ASSEMBLY
1	1	1	1	1	1	1	AT2E-1804-2	18	IGNITION CABLE
1	1	1	1	1	1	1	AT0A-2719-2	17	MODULE HARNESS ASSEMBLY
1	1	1	1	1	1	1	AT0E-2731-4	16	FUSE 3/4 AMP 250V
1	1	1	1	1	1	1	AT2M-2820-1	15	BRACKET FUSE HOLDER
1	1	1	1	1	1	1	AT0E-2708-1	14	3AG OMNI-BLOK FUSE BLOCK 2 POS
1	1	1	1	1	1	1	AT0E-1134-2	13	2 POSITION TERMINAL BLOCK
1	1	1	1	1	1	1	AT0H-1455-2	12	KNOB FOR D SHAFT
1	1	1	1	1	1	1	AT0E-3339-1	11	MOUNTING LATCH
2	2	2	2	2	2	2	AT0E-3338-1	10	CONTACT BLOCK
1	1	1	1	1	1	1	AT0E-3336-1	9	OPERATOR, AB ROTARY SWITCH
1	1	1	1	1	1	1	AT2E-1807-1	8	IGNITION CONTROLLER
1	1	1	1	1	1	1	AT2L-2715-2	7	OVERLAY, CONTROL PANEL
-	-	1	1	1	1	1	AT2L-2715-1	6	OVERLAY, CONTROL PANEL
1	1	1	1	1	1	1	AT0A-2779-2	5	TRANSFORMER ASSEMBLY
1	1	1	1	1	1	1	AT0E-2559-3	4	TEMPERATURE CONTROLLER
1	1	1	1	1	1	1	AT0E-1800-2	3	INDICATOR LAMP RED INCANDESCENT 28V
1	1	1	1	1	1	1	AT0E-1800-1	2	INDICATOR LAMP GRN INCANDESCENT 28V
1	1	1	1	1	1	1	AT2A-2208-3	1	CONTROL PANEL WELD ASSY
-	-	1	1	1	1	1	AT2A-2208-2	1	CONTROL PANEL WELD ASSY
-	-	1	1	1	1	1	AT2A-2208-1	1	CONTROL PANEL WELD ASSY

NAME	DATE	DESCRIPTION
Drawn	06-19-04	ALB
Checked	07-19-04	GLS
Project Eng	07-19-04	GLS
Material	N/A	
Finish	N/A	

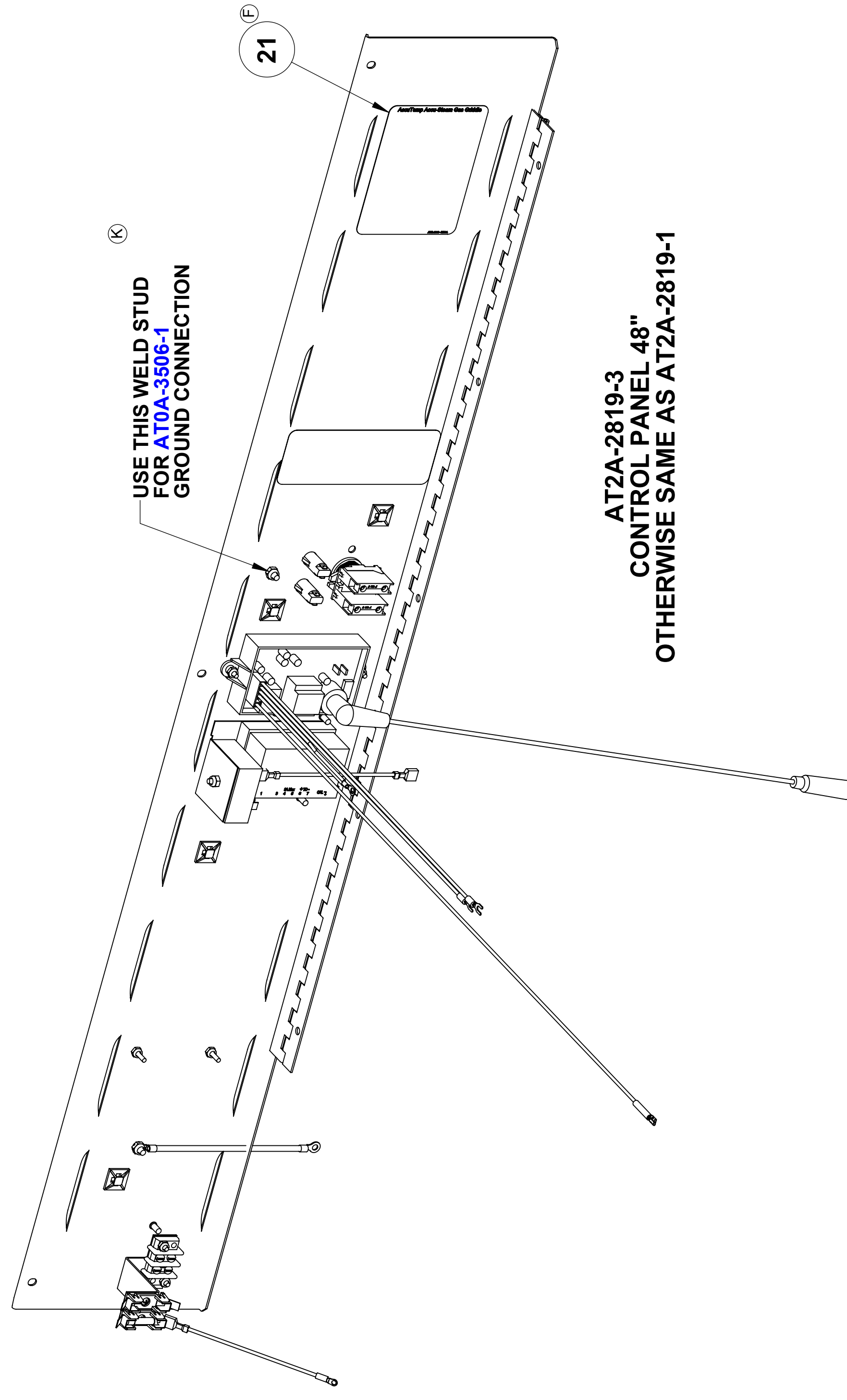
Unless otherwise specified, Dimensions: Inches  
 Bore: .0015  
 Tolerances:  
 Angular: ±1°  
 2 Place Decimal: .02  
 3 Place Decimal: .005  
 4 Place Decimal: .0005  
 5 Place Decimal: .0001  
 GD&T Per ANSI Y14.5M  
 Comments:  
 Do Not Scale Drawing

Rev	Size	Drawing No.	Title
K	D	AT2A-2819	CONTROL PANEL

Scale: 1:1 EDR: 062

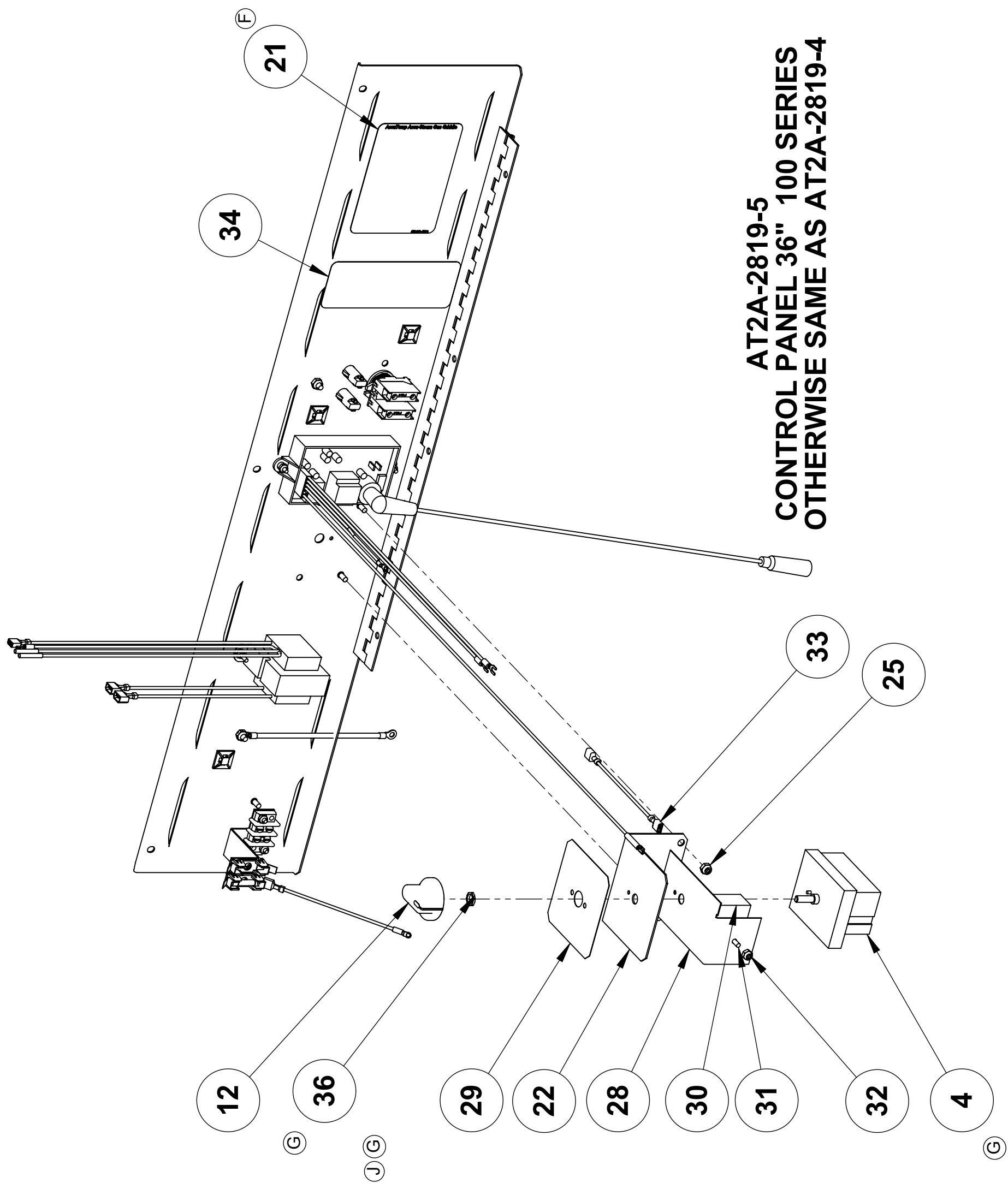


AT2A-2819-2  
CONTROL PANEL 36"  
OTHERWISE SAME AS AT2A-2819-1

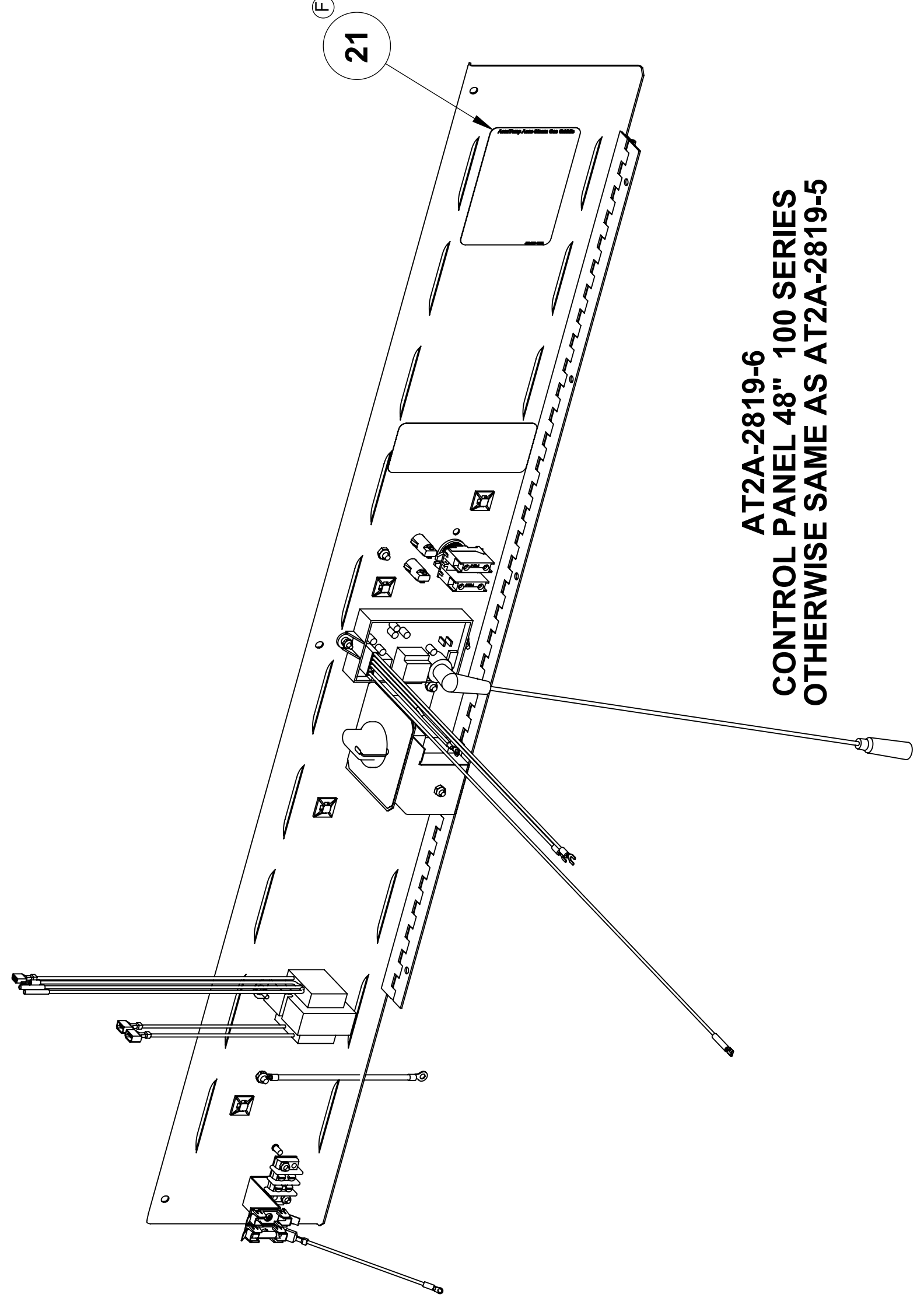


AT2A-2819-3  
CONTROL PANEL 48"  
OTHERWISE SAME AS AT2A-2819-1

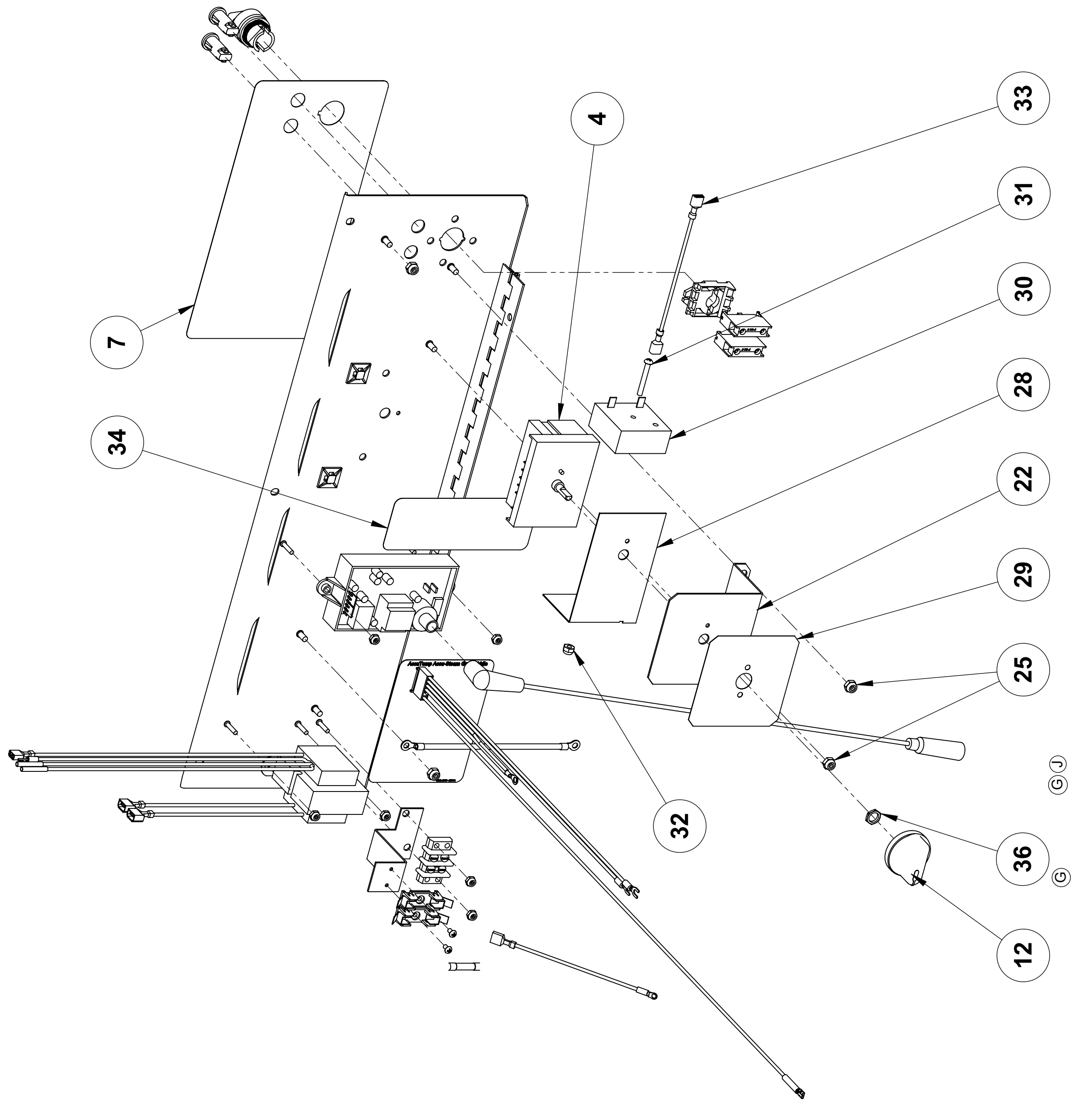
Unless otherwise specified, Dimensions in Inches Bends 90° Tolerances: Angular ±1° 2 Place Decimal ±.02 3 Place Decimal ±.005 1 LR ±.005 1/125 Micro Inches GD&T Per ANSI Y14.5M Comments: Do Not Scale Drawing		Name ALB	Date 06-19-04	AccuTemp Products, Inc 8415 N. Clinton Park Fort Wayne, IN 46825
Drawn	Checked	Project Eng	Title:	CONTROL PANEL
Checked	gls	gls	Material:	N/A
Project Eng	gls	gls	Finish:	N/A
Material:	N/A	Finish:	Size	D
Finish:	N/A	Size	Drawing No.:	AT2A-2819
Size	N/A	Drawing No.:	Rev.	K
Drawing No.:	AT2A-2819	Rev.	Scale:	1:2 ECN:
Rev.	K	Scale:	1:2 ECN:	Sheet 2 of 3



AT2A-2819-5  
CONTROL PANEL 36" 100 SERIES  
OTHERWISE SAME AS AT2A-2819-4



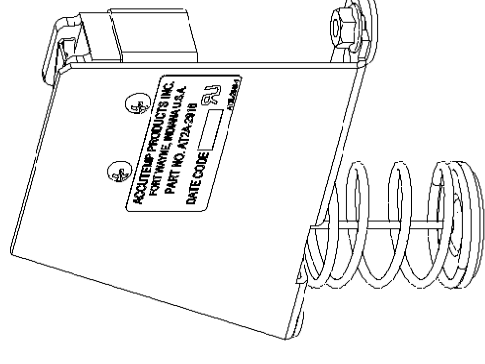
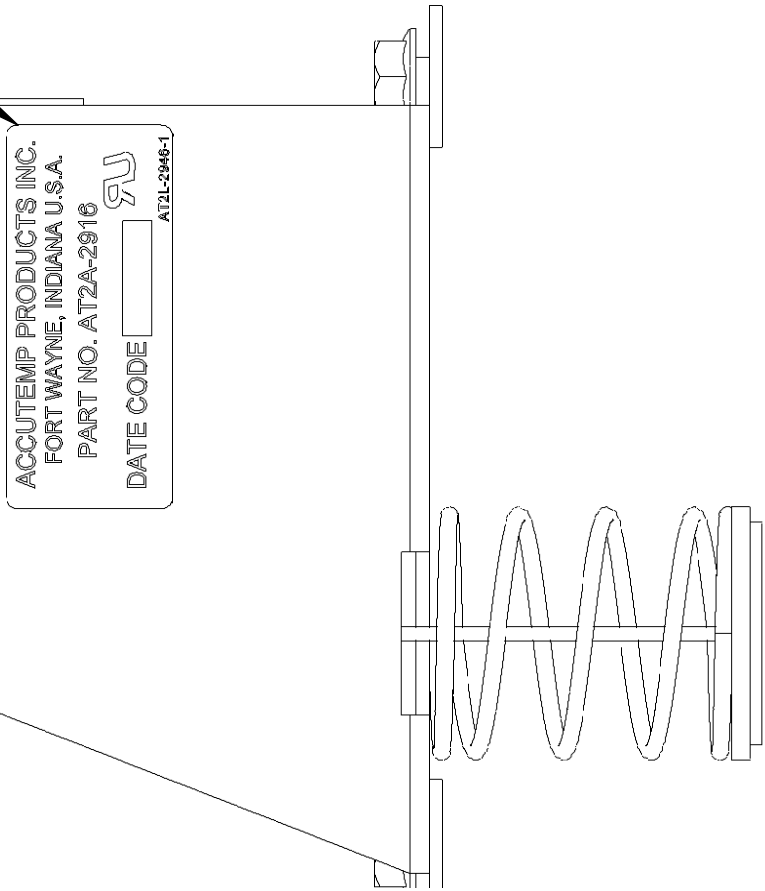
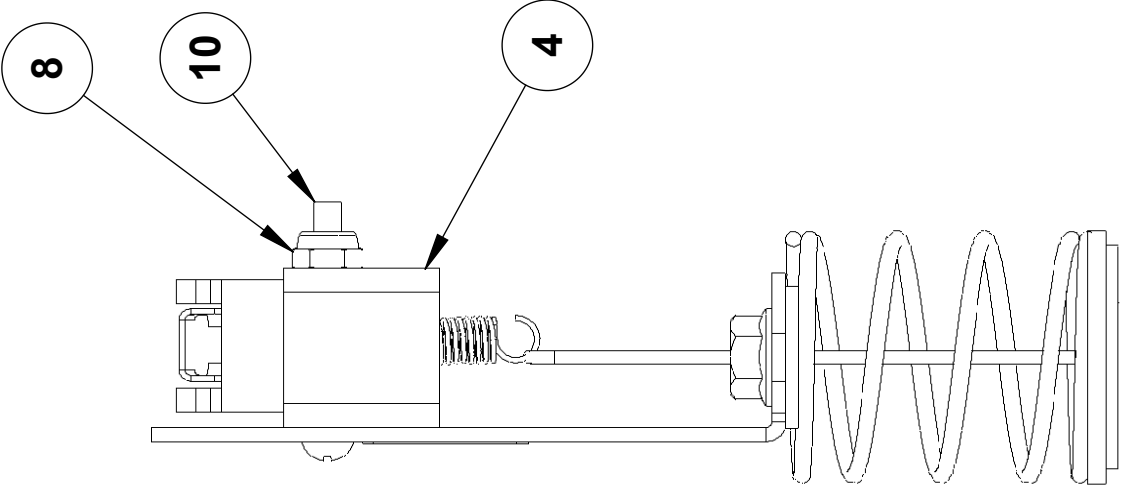
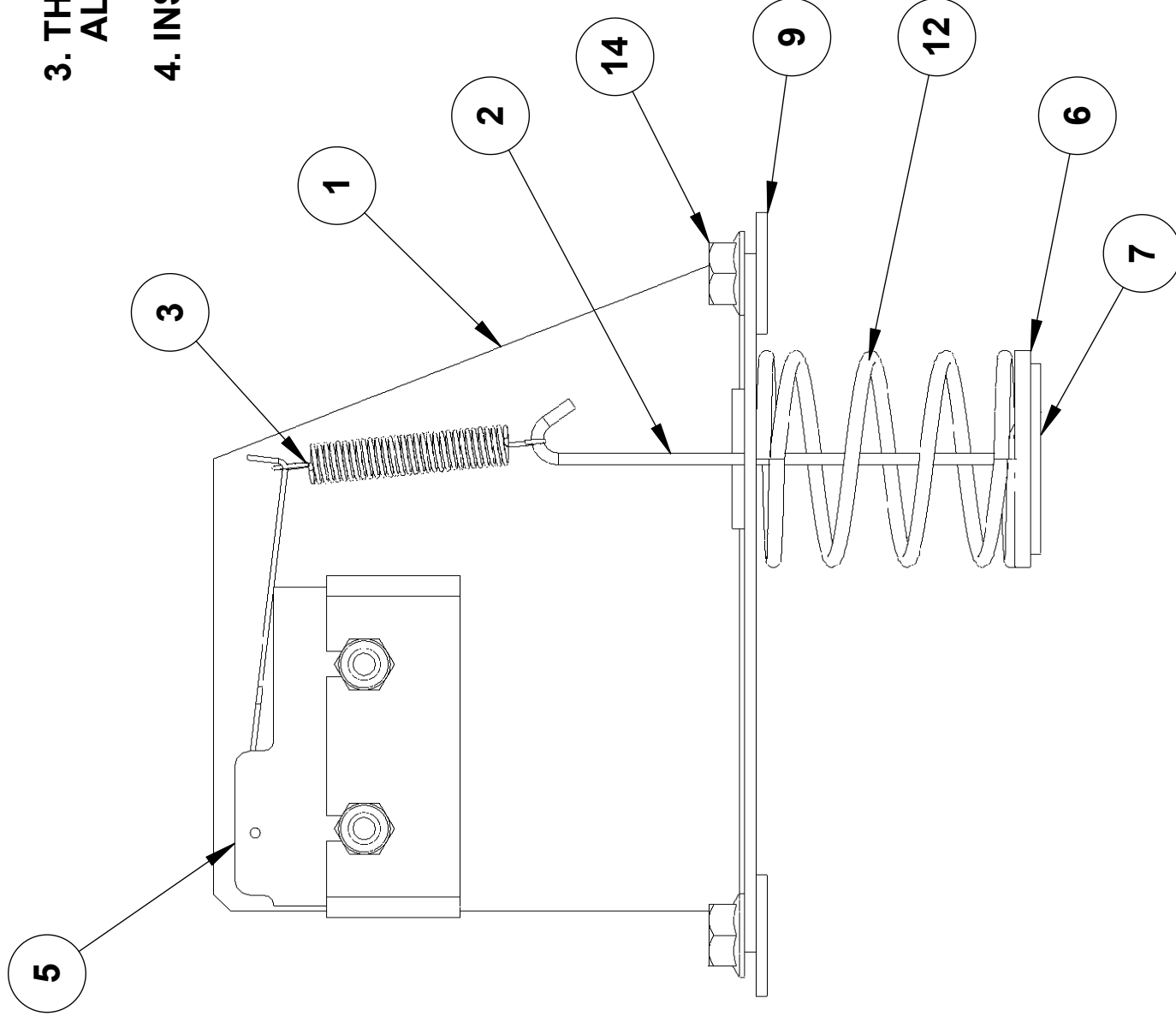
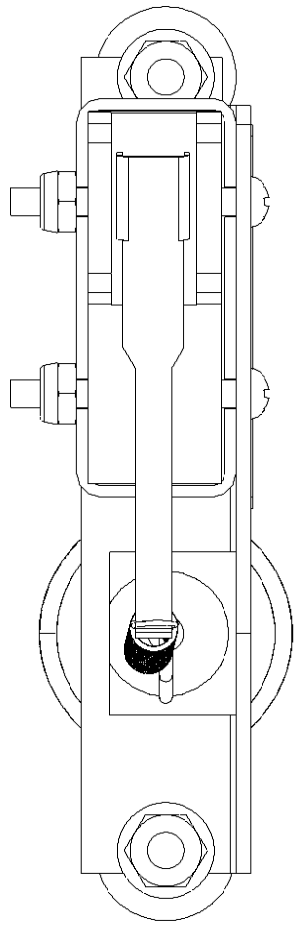
AT2A-2819-6  
CONTROL PANEL 48" 100 SERIES  
OTHERWISE SAME AS AT2A-2819-5



AT2A-2819-4  
CONTROL PANEL 24" 100 SERIES  
OTHERWISE SAME AS AT2A-2819-1

Name		Date
Drawn	ALB	06-19-04
Checked	GLS	07-19-04
Project Eng	GLS	07-19-04
Material:		N/A
Finish:		N/A
Title:		CONTROL PANEL
Drawing No.:		D AT2A-2819
Rev.:		K
Scale:		1:2 EDR: 062
Sheet:		3 of 3

Unless otherwise specified,  
Dimensions - Inches  
Bore: .0015  
Tolerances:  
Angular: ±1°  
2 Place Decimal: ±.02  
3 Place Decimal: ±.005  
Tolerance: ±.005  
Material: N/A  
Finish: N/A  
Comments:  
GD&T Per ANSI Y14.5M  
Do Not Scale Drawing

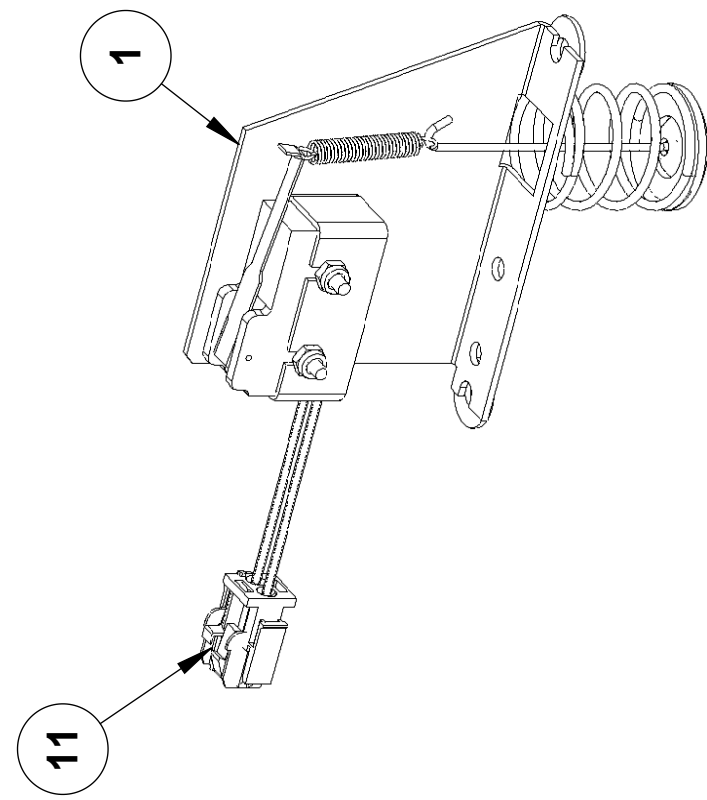


**NOTE:**

1. MANUFACTURING DATE CODE REFLECTS THE DATE OF MANUFACTURE OF THE ROD ASSEMBLY.
2. DATE CODE TO BE PERMANENTLY MARKED WITH YEAR, MONTH, DAY (YYMMDD) AND BATCH LETTER (A) - [YYMMDDA].
3. THE BATCH LETTER IS IDENTIFIED AS A SINGLE ALPHANUMERIC CHARACTER IE. A,B,C ETC.
4. INSTALL DATE CODE LABEL TO BRACKET AS SHOWN.

**AT2A-2916-1**

QTY	QTY	PART NUMBER	ITEM	DESCRIPTION
-	2	AT0F-1017-41002	14	NUT, #10-24UNC HEX SERRATED
1	1	AT2L-2946-1	13	DATE CODE LABEL
1	1	AT2H-1365-1	12	COMPRESSION SPRING
1	-	AT2A-2759-1	11	CABLE ASSEMBLY
2	2	AT0F-2755-21102	10	SCREW, #6-32UNC X 1 1/4 PHILIPS ROUND HEAD MACHINE
2	2	AT0F-1052-51002	9	WASHER 1/4 TYPE B PLAIN
2	2	AT0F-2691-21002	8	NUT, #6-32 NYLOC
1	1	AT2M-2860-1	7	SOLDER WASHER
1	1	AT2F-1367-1	6	WASHER, TYPE A
1	1	AT2E-1639-1	5	MICROSWITCH
1	1	AT0E-1759-1	4	MICROSWITCH COVER
1	1	AT2H-1640-1	3	EXTENSION SPRING
1	1	AT2M-2861-1	2	WIRE ROD OVERTEMP
1	1	AT2M-1558-2	1	BRACKET SWITCH RIGHT HAND
QTY AT2A-2916-2	QTY AT2A-2916-1			



**AT2A-2916-2  
OTHERWISE SAME AS AT2A-2916-1**

AccuTemp Products, Inc.  
8415 N. Clinton Park  
Fort Wayne, IN 46825

**AccuTemp**

**HIGH LIMIT  
OVERTEMP ASSEMBLY**

Project Eng: DPS 07-22-04  
Date: 07-22-04  
Title: HIGH LIMIT OVERTEMP ASSEMBLY

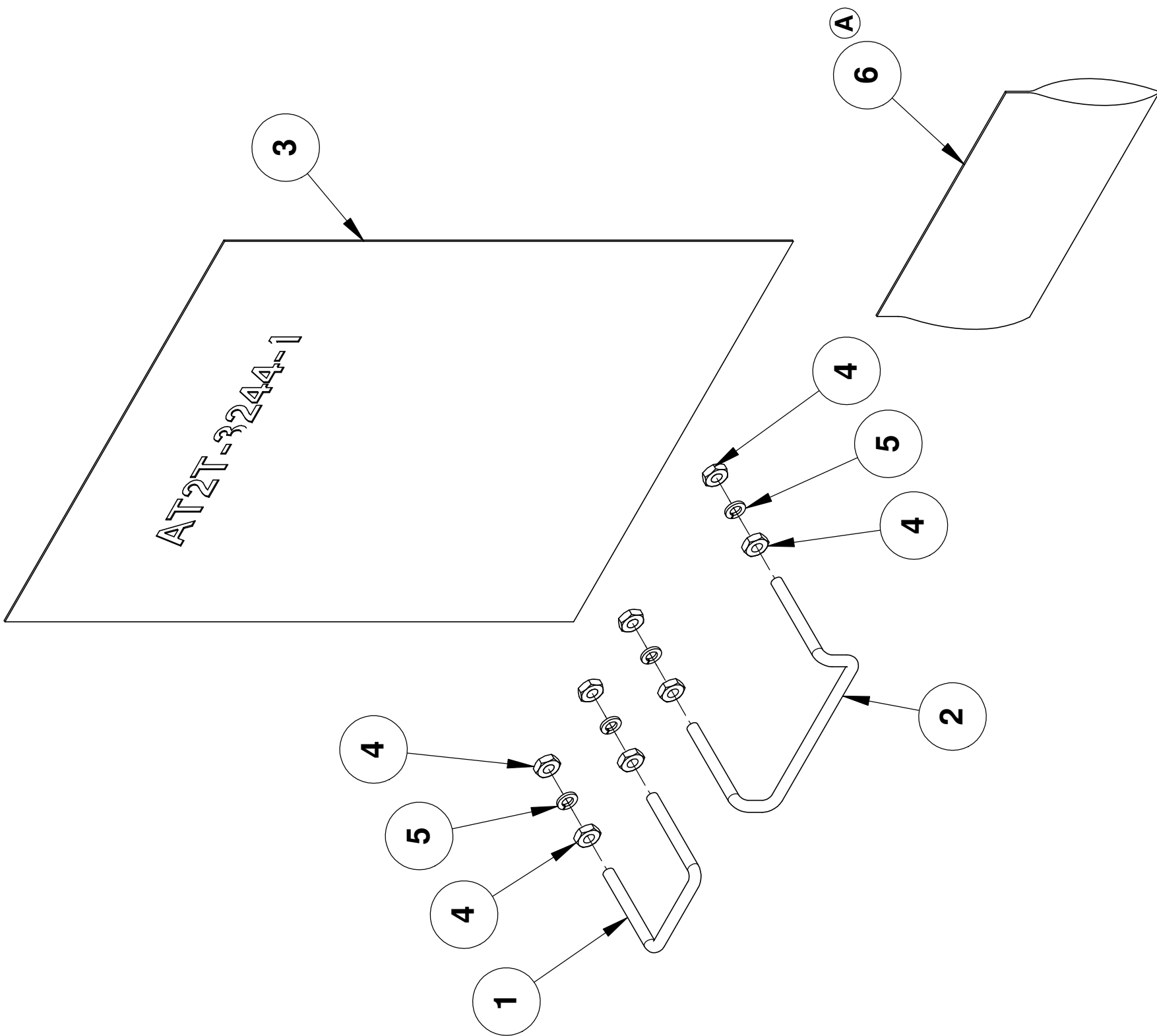
Material: N/A  
Finish: N/A

Drawing No.: **C**  
Size: **AT2A-2916**

Rev: **B**  
Scale: 1:1 EDR: 057  
Sheet 1 of 1

QTY	QTY	PART NUMBER	ITEM	DESCRIPTION
1	1	AT2M-1558-2	1	BRACKET SWITCH RIGHT HAND





(A)

QTY	QTY	QTY	PART NUMBER	ITEM	DESCRIPTION
1	1	1	AT0H-2782-1	6	BAG, 3 X 5 RECLOSABLE
2	2	4	AT0F-1922-40000	5	WASHER, #10 SS HELICAL SPRING LOCK
4	4	8	AT0F-2778-40001	4	NUT, #10-32 UNC-2B HEX MACHINE SCREW
1	1	1	AT2T-3244-1	3	INSTRUCTIONS, CONTROL GUARD INSTALL
1	-	1	AT0M-3239-2	2	GUARD, CONTROL KNOB
-	1	1	AT0M-3239-1	1	GUARD, CONTROL KNOB
QTY AT2A-3263-3	QTY AT2A-3263-2	QTY AT2A-3263-1			

Unless otherwise specified,  
 Dimensions: Inches  
 Bends: 90°  
 Tolerances:  
 Angular ±1°  
 2 Place Decimal ±.02  
 3 Place Decimal ±.005  
 T.I.R. ±.005  
 √125 Micro Inches  
 GD&T Per ANSI Y14.5M  
 Comments:

Do Not Scale Drawing

AccuTemp  
 AccuTemp Products, Inc.  
 8415 N. Clinton Park  
 Fort Wayne, IN 46825

Name: ATP Date: 4/25/2006  
 Checked: LEC Date: 4/25/2006  
 Project Eng: LEC  
 Material: N/A

Size: C Drawing No.: AT2A-3263 Rev: B  
 Scale: 1:2 EDR: 127 Sheet 1 of 1

Kit, Control Knob Guard

ECN	REV	DESCRIPTION	DATE	APPR
307	B	ADDED: GRPS -2 & -3	10-27-06	DPS/ATP
278	A	ADDED: ITM 6 AT0H-2782-1	5-10-06	LEC/ATP

REVISIONS

## AccuSteam™ Gas Griddle

Part #	Description	Page Reference
<b>Burners</b>		
AT2B-2131-1	IR Main Burner - 20,000 BTU - 24" Only	3
AT2B-2099-1	IR Main Burner 30,000 BTU - 36" & 48"	4 & 5
AT2A-2255-2	Stand By Burner Assembly. ( Pilot) Includes Ignition Sensor Probe Assembly <a href="#">AT2E-2083-1</a>	3,4&5
<b>Conversion Kits</b>		
AT0H-3035-1	24" Propane Gas Kit	12
AT0H-3035-2	36" Propane Gas Kit	12
AT0H-3035-3	48" Propane Gas Kit	12
AT0H-3035-4	24" Natural Gas Kit	12
AT0H-3035-5	36" Natural Gas Kit	12
AT0H-3035-6	48" Natural Gas Kit	12
<b>Fuses</b>		
AT0E-2731-4	Fuse, .75 (3/4) amp,	8
AT0E-2708-1	3/4 amp Fuse Holder	8
<b>Flex Piping</b>		
AT0P-2846-1	5/8 X 31" Griddle Flex Tube	1&2
AT0P-2846-2	5/8 X 26" Griddle Flex Tube	1&2
<b>Gaskets</b>		
AT2G-1702	Gasket Seal, Skirt Chamber and Control Panel	2
<b>Ignition Control</b>		
AT2E-1807-1	Ignition Control Module	8
AT2E-1804-2	Ignition Cable 20" - Gas	8
AT0A-2719-2	Module Harness Assembly, Gas	8
AT2E-2083-1	Ignition Sensor Probe Assembly	6
AT0A-3506-1	Grounding Harness Assembly	3,4&5
AT2M-3299-1	Shield, Wire Heat	3,4&5
<b>Lamps</b>		
AT0E-1800-1	Pilot Lamp, Green - 24V - Power	8
AT0E-1800-2	Pilot Lamp, Red - 24V - Heat	8
<b>Legs</b>		
AT2A-3032-1	Leg Assembly, 4" legs	Not Shown
AT2A-3032-2	Leg Assembly, 8" legs	Not Shown
AT0F-1922-50002	Washer, 1/4" Helical Spring - used to attach legs to griddle 2 required per leg	Not Shown
AT0F-2875-51062	Screw, 1/4"-20 UNC Hex Head Machine - - used to attach legs to griddle 2 required per leg	Not Shown
<b>MOV</b>		
AT0A-2736-9	MOV Assembly- Control Valve	1&2
<b>Overtemp</b>		
AT2M-1558	Bracket, Overtemp Switch	11
AT2M-2478	Bracket, Timer Relay	11
AT2E-1639-1	Overtemp Micro Switch	11
AT2E-1759	Overtemp Switch, Cover	11
AT2H-1640-1	Spring Extention, Overtemp	11
AT2H-1365-1	Spring, Compression	11
AT2L-1851	Warning Label, Overtemp Brkt	11
AT2F-1367-1	Washer, Type A, Bi-metal	11
AT2M-2860-1	Washer Pressed, Solder Overtemp	11
AT0F-1052-51002	Washer 1/4" USS Flat, type B plain	11

## AccuSteam™ Gas Griddle

AT2M-2861-1	Wire Rod, Shaped Overtemp	11
<b>Power Cord</b>		
AT0A-2911-1	Power Cord Assembly, 120v	1&2
<b>Relay</b>		
AT2M-2478	Bracket, Timer Relay	8&10
AT2H-2500	Time, Delay Relay	8&10
<b>Screws/Fittings</b>		
AT0F-1017-41002	Nut# 10x24 UNC Hex Serrated	3&4&5
AT0F-1046-31010	Screw - #8x32 Phillips Truss Head Screw - Used to secure Control Compartment	1&2
<b>Stand Hardware</b>		
AT0H-2479-3	Caster, 5"	Not Shown
AT0H-2479-4	Caster, 5" w/Brake	Not Shown
<b>Switch</b>		
AT0E-3336-1	Rotary Switch	8&10
AT0E-3338-1	On Contact Block (requires 2)	8&10
AT0E-3339-1	Mounting Latch Locking Ring	8&10
AT2A-3263-2	Control Knob Guard Kit (for switch only) - Optional Accessory	13
<b>Test Equipment</b>		
ATR-FT003	Flame Tester Probe - Used to Check Flame Sense Voltage to the Ignition Control Module - AT2E-1807-1	Not Shown
<b>Transformer</b>		
AT0E-1809-1	Transformer - 24v Secondary	8&10
<b>Thermocouple</b>		
AT0E-2885-2	Temperature sensor - K Type	1&2
<b>Thermostat</b>		
AT0E-2559-3	Thermostat - Gas - 24v	8&10
AT0H-1455-2	Thermostat Knob	8&10
AT2A-3263-3	Control Knob Guard Kit (Thermostat Only) Optional Accessory	13
<b>Valves</b>		
AT2E-1806-2	Gas Control Valve, 5 h20 set	7
AT2E-2087-1	Main Burner Valve	7
AT0P-2847-1	Pressure Regulator Valve, Natural Gas	7
AT0P-2847-2	Pressure Regulator Valve, Propane	7
AT2E-1806-3	Propane Control Valve, 10h20set	7