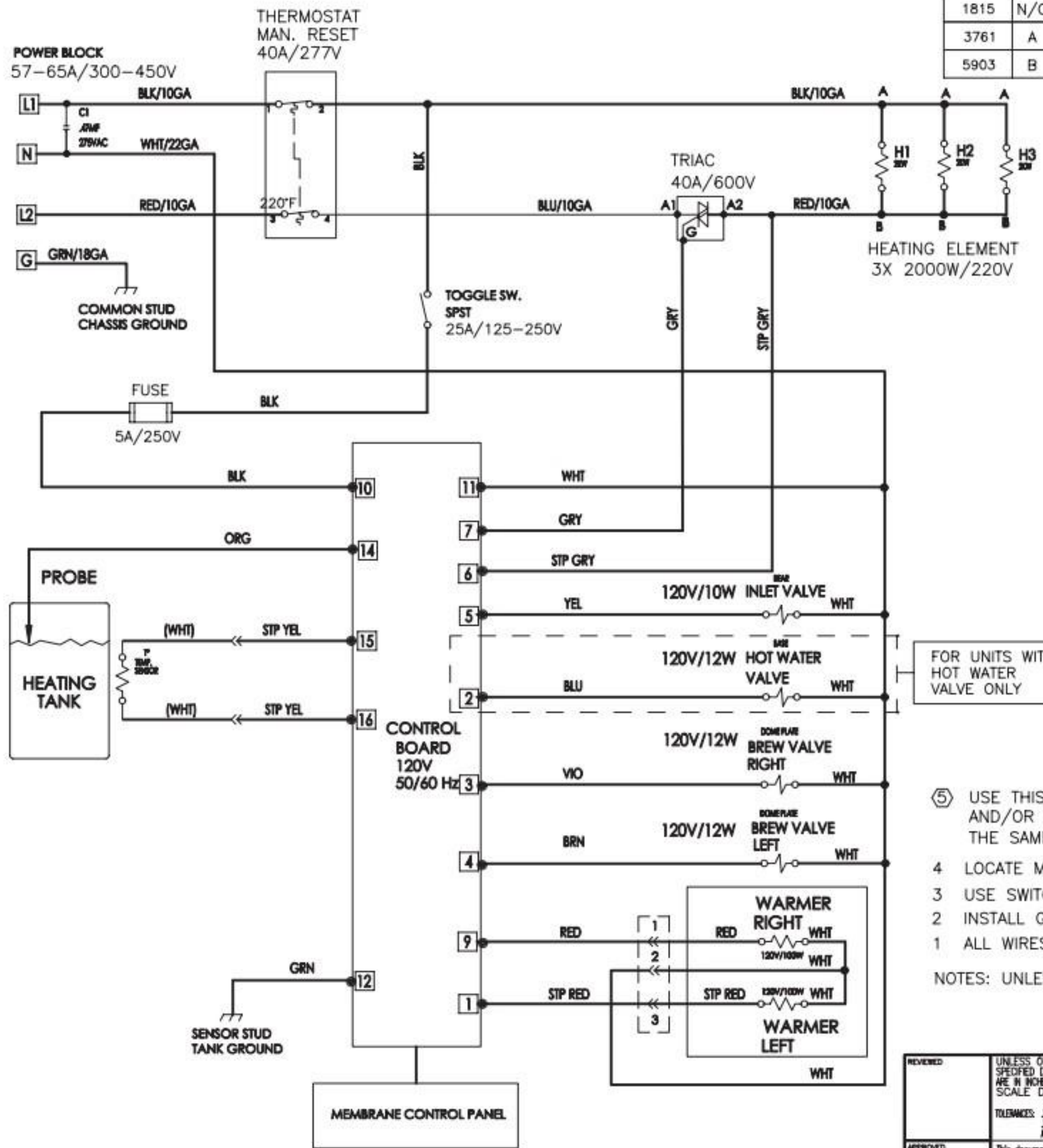
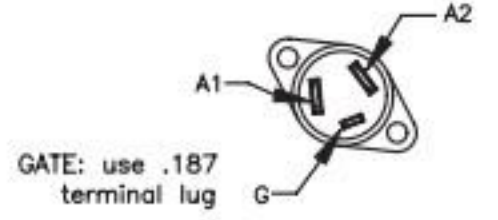


EDR/ECN	REV.	DESCRIPTION	DATE	DR BY:	CK. BY:	APPR. BY
1815	N/C	INITIAL RELEASE OF DRAWING	8/16/99	MDD		
3761	A	SEE ECN-3761 FOR REVISIONS	7/13/00	SAL		
5903	B	SEE ECN-5903 FOR REVISIONS	12/30/02	RO		



LEGEND

- PIN ASSIGNMENT**
- 1 = WARMER LEFT
 - 2 = HOT WATER VALVE
 - 3 = BREW VALVE RIGHT
 - 4 = BREW VALVE LEFT
 - 5 = INLET VALVE
 - 6 = TRIAC RETURN
 - 7 = TRIAC GATE
 - 9 = WARMER RIGHT
 - 10 = 120 VAC HOT
 - 11 = 120 VAC RTN
 - 12 = GND CHASSIS
 - 14 = PROBE
 - 15 = SENSOR
 - 16 = SENSOR



TRIAC PIN ASSIGNMENTS

FOR UNITS WITH HOT WATER VALVE ONLY

- ⑤ USE THIS DIAGRAM FOR ALL OTHER MODELS WITH ADDED PREFIX LETTERS AND/OR DIFFERENT DASH NUMBER ON THEIR PART NUMBERS HAVING THE SAME ELECTRICAL RATINGS. Ex.: SCGEM-12D-10 or GEM-12D-12.
- 4 LOCATE MATED CONNECTOR AWAY FROM HEAT.
- 3 USE SWITCH GUARD WC-3249 AS REQUIRED BY UL.
- 2 INSTALL GROUND LUG OVER THE SENSOR ON TANK SENSOR STUD.
- 1 ALL WIRES SHALL BE 22AWG TEFLON.

NOTES: UNLESS OTHERWISE SPECIFIED

REVIEWED	UNLESS OTHERWISE SPECIFIED DIMENSIONS ARE IN INCHES. DO NOT SCALE DRAWING	VOLTAGE: 220V	NEXT ASSEMBLY: FINAL	Wilbur Curtis Co., Inc. 8915 Acacia St. Norwalk, CA 90640 Phone: 323-637-2300 Fax: 323-637-2402 WWW.WILBURCURTIS.COM
		WATTAGE: 6300	MODEL NUMBER: GEM-12D-10 & OTHER APPLICABLE MODEL UNITS ⑤	
APPROVED	TOLERANCES: XX ±.03 XXX ±.010 ANGLES ±T	AMPERAGE: 29A	DATE: 8/16/99	TITLE: LADDER DIAGRAM PART NUMBER: LD-G12D-10 SCALE: NTS SHEET 1 OF 1
		HERTZ: 50/60 HZ	DATE: 8/16/99	
	This document contains information proprietary to Wilbur Curtis Co., Inc. It shall not be reproduced, used, or disclosed to anyone without the prior written permission of Wilbur Curtis Co., Inc.	WIRES: 3W + G	DATE: 8/16/99	DRAWING SIZE: C REVISION: B
		PHASE: 1 PHASE	DATE: 8/16/99	