



H/P-280
SERIES RANGES

PARTS LIST

Toll Free Phone, (US & Canada): (800) 427-6668

Toll Free Fax, (US & Canada): (800) 361-7745

<http://www.garland-group.com>



H/P-280 SERIES RANGES

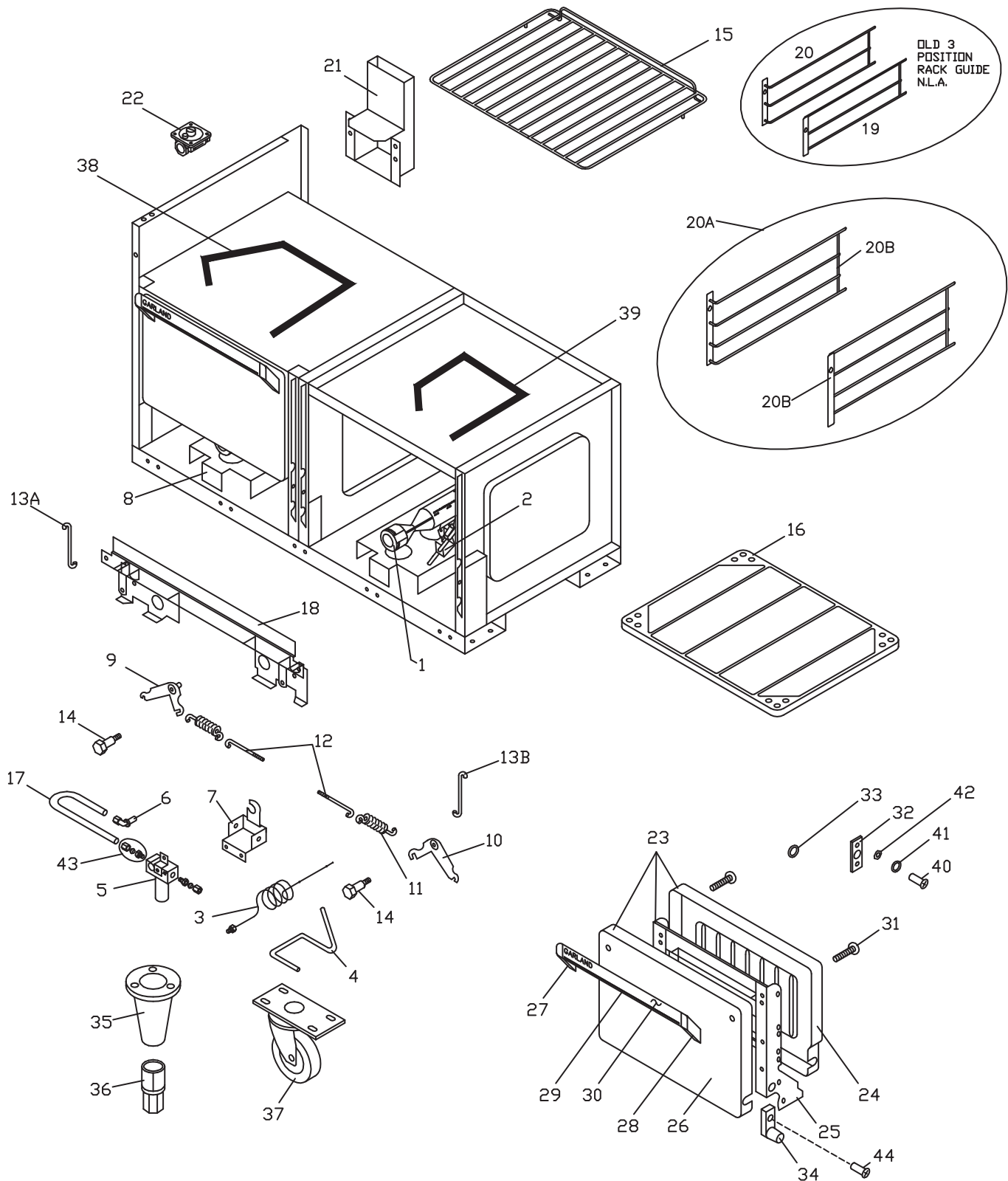
Contents:

SECTION ONE (Covers units with the serial numbers that have four digits on the end of the serial number i.e. 9904GR5432)

| | |
|---|---------|
| Standard Oven | Page 4 |
| RC Oven Section | Page 8 |
| Open Top Section | Page 12 |
| Hot Top Section | Page 14 |
| Raised Griddle/Broiler Section | Page 16 |
| Valve Control Griddle Section | Page 20 |
| Thermostatically Controlled Griddle Section | Page 22 |
| Exterior Finish | Page 24 |
| Backguard & Hi Shelf Section | Page 26 |
| Appendix | Page 28 |

SECTION TWO (Covers units with the serial numbers ending with three digits and a "R" on the end of the serial number i.e. 9904GR543R)

| | |
|--|---------|
| H280 Series Oven Section..... | Page 30 |
| H280 Series Surface Plate Section | Page 34 |
| Raised Griddle/Broiler Section | Page 38 |
| Drip Pan and Drip Pan Handles..... | Page 41 |
| H280 Motor, RC Oven Parts Up to Serial Number 0204RG121R | Page 42 |
| H280 Motor, RC Oven Parts From Serial Number 0204RG121R | Page 43 |
| Baso Oven Safety Valve Components..... | Page 44 |
| Photos | Page 45 |
| Revision History | Page 50 |



GARLAND PARTS IDENTIFICATION

Standard Oven HP-280 Series Parts

| ITEM | PART # | DESCRIPTION | QUANTITY | | CRITICAL |
|------|----------------|---|-------------|-----|----------|
| | | | SPACE SAVER | STD | |
| | | | 20" | 26" | |
| 1 | 1028197 | Steel Burner Assembly Tubular burner Shape Up to Nov./97 | 1 | 1 | C |
| | 2298300 | Steel U Burner H280 March 94/Canada Only (U Burner Shape) | 1 | 1 | C |
| 2^ | 1028299 | Pilot Burner Assembly Natural Used Up To Nov. 1/97 | 1 | 1 | C |
| | 1415300 | 2C-2 Pilot Natural Used From Nov. 1/97 | 1 | 1 | C |
| | 1028298 | Pilot Burner Assembly LP Used Up To Nov. 1/97 | 1 | 1 | C |
| | 1415301 | 2C-2 Pilot Propane Used From Nov. 1/97 | 1 | 1 | C |
| | 1028206 | Pilot Orifice Natural (.021) | 1 | 1 | C |
| | 1028207 | Pilot Orifice Propane (.011) | 1 | 1 | C |
| 3^ | 1019418 | Thermocouple 18" Long (Screw In Type) Used Until Nov. 1/97 | 1 | 1 | C |
| | 4518817 | Thermocouple 18" (Slip In Type) | 1 | 1 | C |
| 4 | GM293 | 3/16" Aluminum Tubing Sold By The Foot | 1 | 1 | |
| 5 | 1415703 | Hi-Temp Valve Baso | 1 | 1 | C |
| | 1027000 | Auto Safety Valve | 1 | 1 | C |
| 6 | 1088286 | Orifice Fitting Natural | | 1 | C |
| | M9-35 | Large Orifice 35 Size | | 1 | C |
| | 1088298 | Orifice Propane | | 1 | C |
| | M9-52 | Large Orifice 52 Size | | 1 | C |
| | 1028983 | Orifice Fitting Assembly Natural | 1 | | C |
| | M9-42 | Large Orifice 42 Size | 1 | | C |
| | 14155XX | Oven Orifice Fitting W/O Hood | 1 | | C |
| 7 | M9-55 | Large Orifice 55 Size | 1 | | C |
| | 1361000 | Orifice Bracket | | 1 | |
| 8 | 1374200 | Orifice Bracket 24" Oven | 1 | | |
| | 1391600 | Oven Burner Rest Support Used Up To Nov. 1/97 (Tubular Burner Shape) | 1 | 1 | |
| 9 | 2298500 | Oven Burner Rest Support H280 Used From Nov. 1/97 (U Burner Shape) | | | |
| | 1082198 | L/H Bell Crank Assembly | | 1 | |
| 10 | 1082199 | R/H Bell Crank Assembly | | 1 | |
| | 1082196 | Oven Door Bell Crank 24" | 1 | | |
| 11 | 1005800 | Door Spring | 1 | 2 | C |
| 12 | 9004700 | J Bolt | | 2 | C |
| | 9004701 | Oven Door Spring Hook | 1 | 2 | C |
| 13A | 1082802 | Oven Door Hinge Link RT | 1 | 2 | C |
| 13B | 1082803 | Oven Door Hinge Link LT | | | C |
| 14 | GF299 | 1/4-20 x 1/2 Shoulder Bolt | 1 | 2 | C |

* NOT ILLUSTRATED

^ PHOTO AT END

RECOMMENDED STOCK PARTS

GARLAND PARTS IDENTIFICATION

Standard Oven

HP-280 Series Parts

| ITEM | PART # | DESCRIPTION | QUANTITY | | CRITICAL |
|---|-------------|---|-------------|-------------|----------|
| | | | SPACE SAVER | STD | |
| | | | 20" | 26" | |
| 15 | 9002200 | Oven Rack Chrome | 1 | | |
| | 2117000 | Oven Rack Chrome Before 3/7/94 | | 1 | |
| | 2301200 | Oven Rack Assembly After 3/7/94 | | 1 | |
| 16 | 1438496 | Oven Bottom Assembly - H280/Sentry | | 1 | |
| | 1369398 | Oven Bottom Liner GCE | 1 | | |
| 17 | 1392500 | 7/17 Tube Safety To Orifice | 1 | 1 | |
| 18 | 1082001 | Lower Front Plate | | 1 | |
| 19 | 2297700 | Oven Rack Slide Assembly RH - NLA | 1 | 1 | |
| 20 | 2297701 | Oven Rack Slide Assembly LH - NLA | 1 | 1 | |
| IMPORTANT NOTES FOR THE OVEN RACK GUIDE | | | | | |
| Both 3 position rack guides will have to be replaced, when changing to the new 4 position rack guide. Order Part # 4519545 Oven Rack Guide Kit which includes both racks (Rt & Lt). Mounting method is the same. | | | | | |
| 20A | 451945 | Oven Rack Slide Assy LT/RT Kit (2 Racks Included) From Serial # 0410100109744, Implementation Date Nov. 05/04 | 1 | 1 | |
| 20B | 4518127 | Ove Rack Slide Assy LT/RT, From Serial # 0410100109744, Implementation Date Nov. 05/04 | 1 Each Side | 1 Each Side | |
| 21 | 1005399 | Flue Body Assembly | 1 | 1 | |
| 22 | 1019010 | Pressure Regulator Natural | 1 | 1 | C |
| | 2127500 | Gas Regulator Propane 10" | 1 | 1 | C |
| 23 | CK137A | Oven Door Assembly Kit H286 | | 1 | |
| | CK137C | Oven Door Assembly Kit H28 | 1 | | |
| 24 | 1439796 | Oven Door Lining Enamelled | | 1 | |
| | 1439795 | Oven Door Lining Enamelled | 1 | | |
| 25 | G03984-03-8 | Oven Door Insert Assembly Until Feb 27/01 | | 1 | |
| | G03984-04-8 | Oven Door Insert Assembly From Feb 27/01 | 1 | | |
| 26 | 1080714 | Oven Door Panel - SS | | 1 | |
| | 1439902 | Oven Door Panel | 1 | | |
| 27 | 9003701 | Handle L/H | 1 | 1 | C |
| | G3814-60L | Oven Door Handle End | 1 | 1 | C |
| 28 | 9003700 | Handle R/H | 1 | 1 | C |
| | G3814-60R | Oven Door Handle End | 1 | 1 | |
| 29 | 1589100 | Extruded Handle Bar 24-3/8" | | 1 | |
| | 1589101 | Extruded Handle Bar 18.375 | 1 | | |
| | 1016700 | Oven Door Handle Chrome | | 1 | |
| 30 | 1592000 | Handle Overlay 24-3/8" x 1-21/64 | | 1 | |
| | 1592001 | Handle Overlay 18-3/8 x 1-21/64 | 1 | | |
| 31 | 1594300 | 1/4-20X1 1/4 HEX WSH RLL SCRW | 2 | 2 | |
| 32 | 1082700 | Trunion Support | 2 | 2 | |
| 33 | 1082700 | Harness Ring 7 GA | | | |
| 34 | 1082500 | Oven Door Trunion | 2 | 2 | |
| 35 | 1027600 | Leg Retainer 6" (Std.) | 4 | 4 | |
| 36 | 1150502 | Bullet Legs | 4 | 4 | |

* NOT ILLUSTRATED

^ PHOTO AT END

RECOMMENDED STOCK PARTS

GARLAND PARTS IDENTIFICATION

Standard Oven

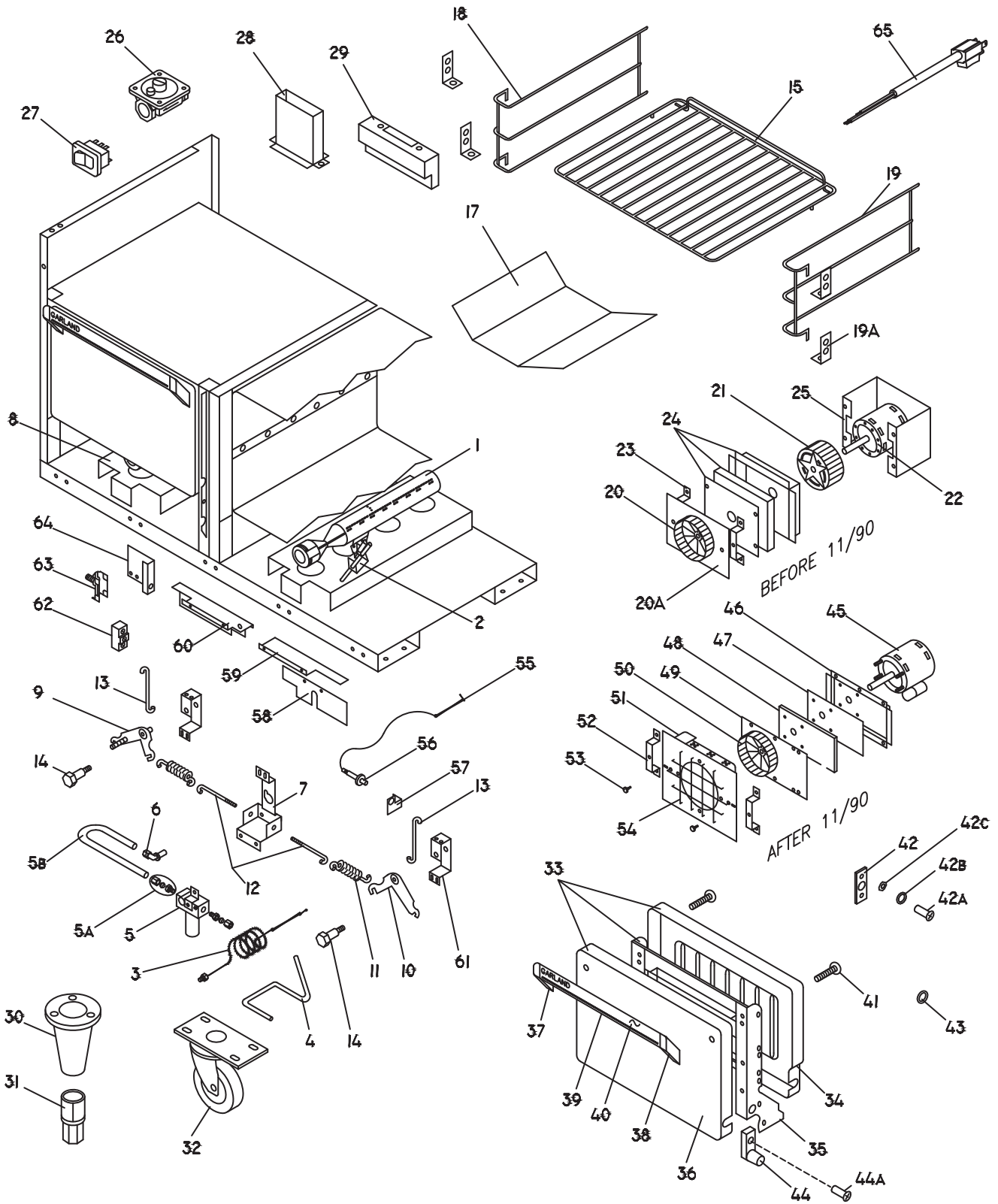
HP-280 Series Parts

| ITEM | PART # | DESCRIPTION | QUANTITY | | CRITICAL |
|------|---------|---|-------------|-----|----------|
| | | | SPACE SAVER | STD | |
| | | | 20" | 26" | |
| 37 | 1027800 | Swivel Caster Less Brake | 2 | 2 | |
| | 1027801 | Swivel Caster C/W Brake | 2 | 2 | |
| 38 | 1439300 | Oven Tubing Left | 1 | 1 | |
| 39 | 1439500 | Oven Tubing Right | 1 | 1 | |
| 40 | F22 | Screw – 10-24 x 9/16 | | | |
| 41 | F84 | Nut – 10-24 x 9/16 | | | |
| 42 | F158 | Washer – 11/16 OD x 13/16 ID x 1/16 FLA | | | |
| 43 | 1095499 | Straight Connector 68-7C | | | |
| 44 | F521 | Screw - 1/4-20 x 1" FLT HD | | | |
| 54* | 1005598 | Oven Bottom USE 1438494 Used Up to Nov./97 | | | |
| | 1438494 | Oven Bottom Assembly - GCE Used From Nov./97 | | | |

* NOT ILLUSTRATED

^ PHOTO AT END

RECOMMENDED STOCK PARTS



HP280-Oven Section.dwg

GARLAND PARTS IDENTIFICATION

RC Oven Section

HP-280 Series Parts

| ITEM | PART # | DESCRIPTION | QUANTITY | CRITICAL |
|------|------------------|--|----------|----------|
| 1 | 1028197 | Steel Burner Assembly Tubular burner Shape Up to Nov./97 | 1 | C |
| | 2298300 | Steel U Burner H280 March 94/Canada Only (U Burner Shape) | 1 | C |
| 2A^ | 078239-10 | Oven Pilot Burner Assembly (Natural) | 1 | C |
| | 078239-11 | Oven Pilot Burner Assembly (Propane) | 1 | C |
| 2B^ | 1028206 | Pilot Orifice Natural (.021) | 1 | C |
| | 1028207 | Pilot Orifice Propane (.011) | 1 | C |
| 3^ | 4518817 | Thermocouple 18"(Slip-In type) | 1 | C |
| 4 | GM293 | 3/16" Aluminum Tubing | 1 | |
| 5 | 1415703 | Hi-Temp Baso Valve | 1 | C |
| | 1027000 | Auto Safety Valve | 1 | C |
| 5a | 1095499 | Straight Connector 68-7C | 2 | |
| 5b | 1392500 | 7/16 Tube Safety To Orifice | 1 | |
| 6 | 1415536F | Orifice Fitting Assembly #36 | 1 | |
| | M9-36 | Large Orifice 36 Size | 1 | C |
| | 1515550F | Orifice Fitting Propane | 1 | |
| | M9-50 | Large Orifice 50 Size | 1 | C |
| 7 | 1361000 | Orifice Bracket | 1 | |
| 8 | 1391600 | Oven Burner Rest Support | 1 | |
| 9 | 1082198 | L/H Bell Crank Assembly | 1 | |
| 10 | 1082199 | R/H Bell Crank Assembly | 1 | |
| 11 | 1005800 | Door Spring | 2 | C |
| 12 | 9004701 | Oven Door Spring Hook | 2 | C |
| 13 | 1082802 | Oven Door Hinge Link RT | 2 | C |
| 14 | GF299 | 1/4-20 x 1/2 Shoulder Bolt | 2 | |
| 15 | 2301200 | Oven Rack Assembly | 3 | |
| 17 | 1357700 | Fire Plate | 1 | |
| 18 | 1311100 | Rack Guide Assembly LT RC | 1 | |
| 19 | 1311101 | Rack Guide Assembly RT RC | 1 | |
| 19A | 1356600 | Rack Guide Clip | 4 | |
| 20 | 1270301 | Inner Blower Wheel (Steel) | 1 | |
| 20A | 1313098 | Air Baffle C/C | 1 | |
| 21 | 1025360 | Motor Blower Wheel | 1 | C |
| 22 | 1003031 | Motor 115V 60 HZ | 1 | C |
| | 1003021 | Motor 115V 71637996 JB2R061N | 1 | C |
| 23 | 1361299 | Air Baffle Support Assembly | 2 | |
| 24 | 1311398 | Motor Mount Assembly - CC | 1 | |
| 25 | 1321000 | Motor Mount Bracket | 1 | |
| 26 | 1019010 | Pressure Regulator Natural | 1 | |
| | 2127500 | Gas Regulator Propane 10" | 1 | |
| 27 | 1729100 | 3 Position Switch MCGILL. (W/Light) | 1 | |
| | 1358900 | Power Switch /ON/OFF/ON (Wo.Light) | 1 | |
| 28 | 1413899 | Flue Rise Assembly | 1 | |
| 29 | 1413900 | Flue Box | 1 | |
| 30 | 1027600 | Leg Retainer 6" (Std.) | 4 | |
| 31 | 1150502 | Bullet Legs | 4 | |
| 32 | 1027800 | Swivel Caster Less Brake | 2 | |
| | 1027800 | Swivel Caster C/W Brake | 2 | |
| 33 | CK137 | G280/10/40 Ser Oven Door Assy Kit | 1 | |

* NOT ILLUSTRATED

^ PHOTO AT END

RECOMMENDED STOCK PARTS

GARLAND PARTS IDENTIFICATION

RC Oven Section

HP-280 Series Parts

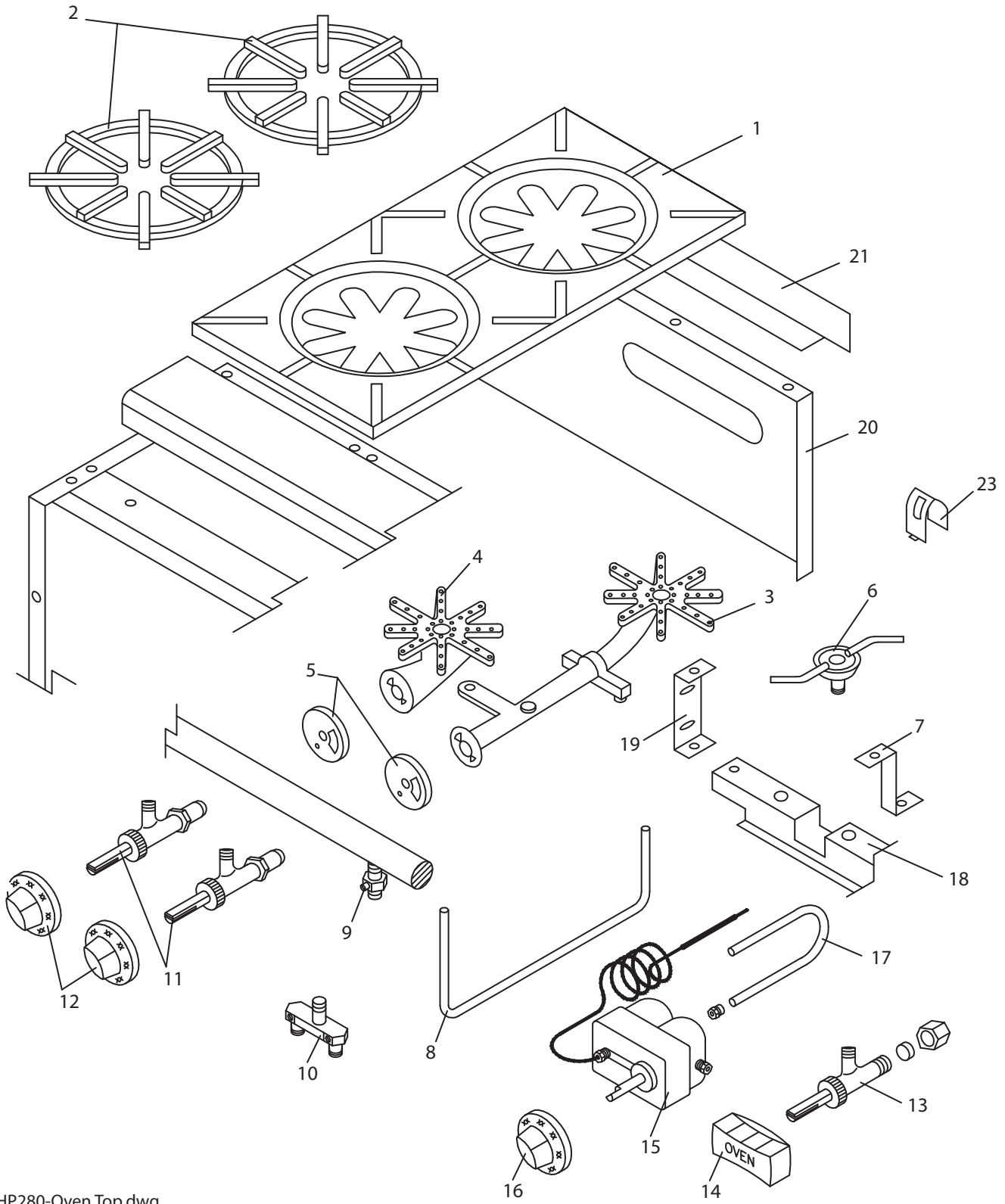
| ITEM | PART # | DESCRIPTION | QUANTITY | CRITICAL |
|------|-------------|--|----------|----------|
| 34 | 1439796 | Oven Door Lining Enamelled | 1 | |
| 35 | G03984-03-8 | Oven Door Insert Assembly | 1 | |
| 36 | 1080714 | Oven Door Panel - SS | 1 | |
| 37 | 9003701 | Handle L.H | 1 | C |
| | G3814060L | Oven Door Handle End | 1 | C |
| 38 | 9003700 | Handle R/H | 1 | C |
| | G3814-6R | Oven Door Handle End | 1 | C |
| 39 | 1589100 | Extruded Handle Bar 24 3/8" | 1 | C |
| | G3837-1-8p | Handle Bar (Plated) | 1 | C |
| 40 | 1592000 | Handle Overlay 24-3/8" x 1-21/64" | 1 | |
| 41 | 1594300 | 1/4-21X1 1/4 HEX WSH RLL SCRW | 2 | |
| 42 | 1083001 | Trunion Support | 2 | |
| 42a | F22 | Screw 10-24 x 9/16 | | |
| 42b | F158 | Washer - 11/16 OD x 13/64 ID x 1/16 FLA | | |
| 42c | F84 | Nut - 10-24 Hex Two Way Lock | | |
| 43 | 1082700 | Harness Ring 7 | 2 | |
| 44 | 1802500 | Oven Door Trunion | 2 | |
| 44a | F521 | Screw 1/4 - 30 x 1" Flat Head | | |
| 45 | 2485801 | Motor PSC 1/3 HP 115V 60 HZ | 1 | C |
| | CK2485801 | Fan Motor 115V (RC H/P280 Series) (Includes items 45, 46, 47, 48, 49, 50) | | C |
| 46 | 2396600 | Motor Mount Pocket | 1 | |
| 47 | 1309072 | Cera Insul. USE 1669100 | 1 | |
| 48 | 1669100 | Motor Pocket Insulation Board | 1 | |
| 49 | 2396700 | Motor Mount Plate GCE | 1 | |
| 50 | G02952-01P | Blower Wheel Assembly Plated | 1 | |
| 51 | 2395999 | Air Baffle Assembly GCE | 1 | |
| 52 | 1361299 | Air Baffle Support Assembly | 2 | |
| 53 | 1031901 | Thumb Screw | 2 | |
| 54 | 1014500 | Blower Inlet Cover | 1 | |
| 55 | G03151-1 | Piezo Electrode 16" | 1 | C |
| 56 | 1309201 | Piezo Igniter #1244-41 | 1 | C |
| 57 | 1413200 | Support Bracket | 1 | |
| 58 | 1391100 | Roll Out Shield Support | 1 | |
| 59 | 1390701 | Right Roll Out Shield | 1 | |
| 60 | 1391000 | Left Roll Out Shield | 1 | |
| 61 | 1386100 | Bell Crank Support | 2 | |
| 62 | 1019603 | Micro Switch | 1 | C |
| 63 | 1019604 | Actuator | 1 | C |
| 64 | 1386001 | Bracket (CK1386001) | 1 | |
| 65 | 4523398 | Power Cord 6Ft 3/14Ga - 15Amp SJ00W | 1 | |

* NOT ILLUSTRATED

^ PHOTO AT END

RECOMMENDED STOCK PARTS

NOTES



HP280-Oven Top.dwg

GARLAND PARTS IDENTIFICATION

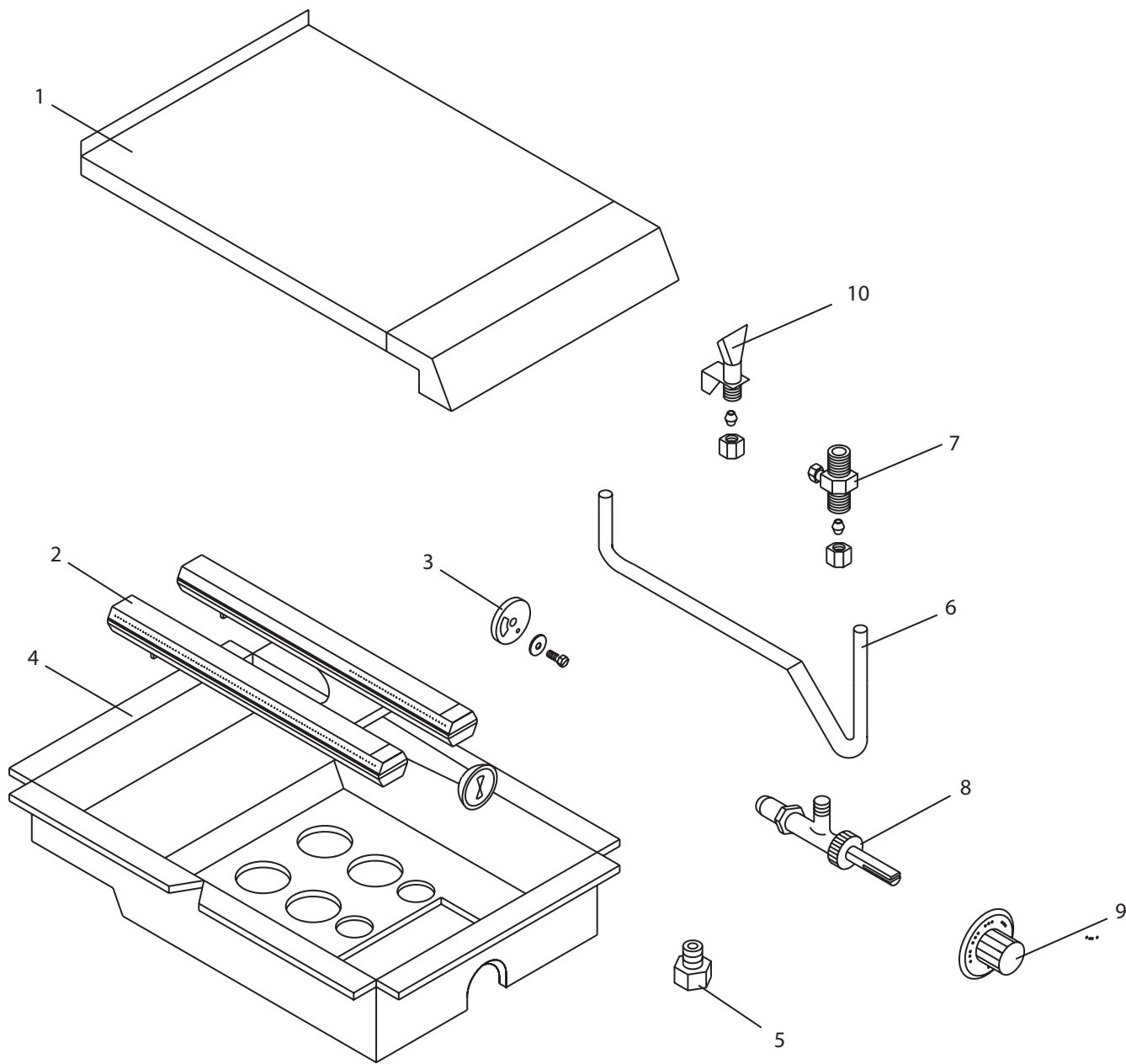
Open Top Section

HP-280 Series Parts

| ITEM | PART # | DESCRIPTION | QUANTITY Per 12" Section | CRITICAL |
|------|------------|---|-----------------------------|----------|
| 1 | 1726301 | Cast Iron Top Grate | 1 | |
| | 2298999 | Top Grate Assembly Enamelled | 1 | |
| 2 | G6214 | Top Ring Grate (No Pins) Cast Iron | 2 | C |
| | 1361606 | Ring Grate 20K – Porcelain | 2 | C |
| 3 | 2217301 | Rear Burner 20K | 1 | C |
| 4 | 2217300 | Front Burner 20K | 1 | C |
| 5 | 1028002 | Air Shutter | 2 | C |
| 6 | G7804-280 | Lighter Assembly | 1 | C |
| 7 | 1731501 | Top Lighter Support | 1 | |
| 8 | 1032617 | Top Lighter Tube 1/8 OD x 17 | 1 | C |
| 9 | 1086199 | Gum Valve 1/8 | 1 | C |
| 10 | 1510403 | Gum Valve (Double) 1/8 x 3/16 | As Required | C |
| 11 | 26878XX | Valve Assembly Less Hood LML-15 | 1 | |
| | M8-42 | Small Orifice 42 Size | 1 | |
| | M8-55 | Small Orifice 55 Size | 1 | |
| 12 | G02716-2 | Dial - (Universal) Medium Shaft | 2 | C |
| | G02725-21 | Dial Insert (Blank) | 2 | C |
| 13 | 1085999 | Valve - Oven Burner | 1 Per Oven | C |
| 14 | 1089101 | Knob (Oven) | 1 Per Oven | C |
| 15 | G03145-048 | FD Control Assembly | 1 Per Oven | C |
| | 1017504 | Tube Nuts | 2 | |
| 16 | G02716-3 | Dial - (Universal) Large Shaft | 1 | C |
| | G02725-16 | Dial Insert (150°F/500°F) | 1 | C |
| 17 | 1090311 | Tubing For Thermostat Manifold | 1 Per Oven | |
| 18 | 1664401 | Burner Rest 24" | | |
| | 1664402 | Burner Rest 36" | | |
| | 1664403 | Burner Rest 60" | | |
| 19 | 1731601 | Burner Rest Support | | |
| 20 | 1396500 | Burner Box Back 24" | | |
| | 1396501 | Burner Box Back 36" | | |
| | 1396502 | Burner Box Back 60" | | |
| 21 | 1734512 | Drip Angle 12" | | |
| | 1734524 | Drip Angle 24" | | |
| | 1734536 | Drip Angle 36" | | |
| | 1734548 | Drip Angle 48" | | |
| | 1734560 | Drip Angle 60" | | |
| | 1734572 | Drip Angle 72" | | |
| 22* | 1089775 | Steel Tubing 7/16 x 75-1/4 | 1 | |
| 23 | GF138 | Capillary Bulb Clamp | 1 | |

* NOT ILLUSTRATED

RECOMMENDED STOCK PARTS



| FASTENERS | |
|-----------|--|
| F158 | |
| F43 | |

GARLAND PARTS IDENTIFICATION

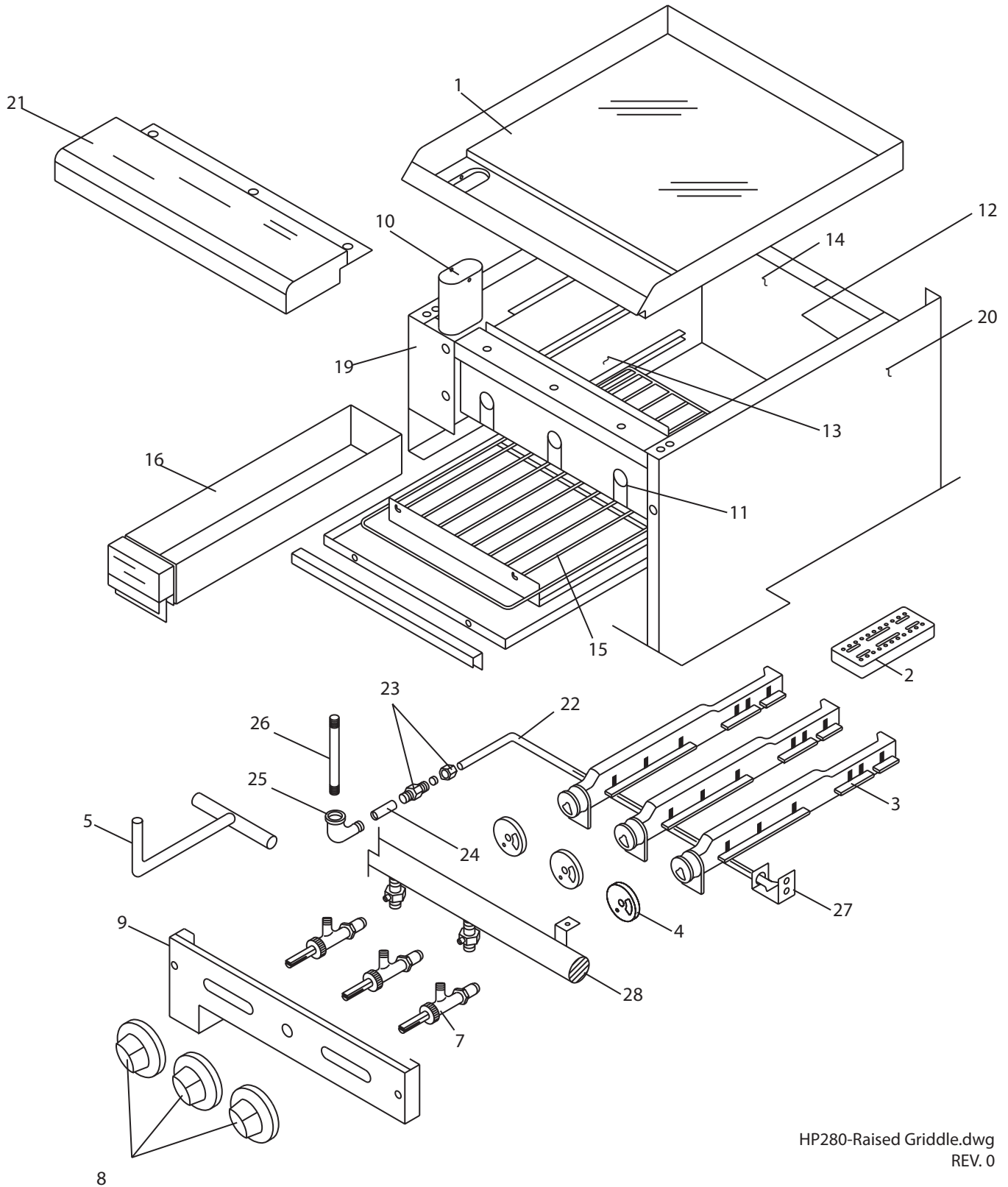
Hot Top Section

HP-280 Series Parts

| ITEM | PART # | DESCRIPTION | QUANTITY Per 12" Oven | CRITICAL |
|------|------------------|--|--------------------------|----------|
| 1 | 1728299 | Hot Top Assembly 12" | 1 | |
| 2 | 1014900 | Griddle H Burner | 1 | C |
| 3 | 1028002 | Air Shutter | 1 | C |
| 4 | 1092098 | Inset Burner Box Assembly | 1 | |
| | 1728398 | 12" Insert Burner Box Assembly | 1 | |
| 5 | 2203400 | Counter Sunk Hex Pipe Plug 1/8" NPT | 1 | |
| 6 | 1028308 | 3/16 Aluminum Tubing | 1 | |
| 7 | 1086597 | 3/16 Pilot Adjusting Valve | 1 | |
| 8 | 26878XX | Valve Assembly Less Hood LML-15 | 1 | C |
| | M8-46 | Orifice 46 Size | 1 | C |
| | 26878XX | Valve Assembly Less Hood LML-15 | 1 | C |
| | M8-55 | Small Orifice 55 Size | 1 | C |
| 9 | G02716-2 | Dial - (Universal) Medium Shaft | 1 | C |
| | G02725-21 | Dial Insert Blank | | C |
| 10 | 1415300 | 2C-2 Pilot Natural | 1 | C |
| | 1028206 | Pilot Orifice Natural (.021) | 1 | C |
| | 1415301 | 2C-2 Pilot Propane | 1 | C |
| | 1028207 | Pilot Orifice (0.11) | 1 | C |

* NOT ILLUSTRATED

RECOMMENDED STOCK PARTS



HP280-Raised Griddle.dwg
REV. 0

GARLAND PARTS IDENTIFICATION

Raised Griddle/Broiler Section

HP-280 Series Parts

| ITEM | PART # | DESCRIPTION | QUANTITY | | CRITICAL |
|------|---------------------------|--|----------|-----|----------|
| | | | 24" | 36" | |
| 1 | 1727596 | Griddle Assembly 24" H283 SS | 1 | | |
| | 1727897 | Griddle RT 36" 285 | | 1 | |
| 2 | 1091000 | Ceramic Radiant | 8 | 8 | C |
| 3 | 1090500 | Griddle Burner | 3 | 3 | C |
| | 1014901 | Griddle H Burner | | 1 | C |
| | 1728397 | Insert Burner Box Assembly | | 1 | |
| 4 | 1028002 | Air Shutter | 3 | 4 | |
| 5 | CK1144 | Conversion Kit RGB-NAT | 1 | 1 | |
| | CK1145 | Conversion Kit RGB LP | 1 | 1 | |
| 6* | 1415300 | 2C-2 Pilot Natural | | 1 | C |
| | 1028206 | Pilot Orifice Natural (.021) | | 1 | C |
| | 1415301 | 2C-2 Pilot Propane | | 1 | C |
| | 1028207 | Pilot Orifice Propane (.011) | | 1 | C |
| 7 | 26878XX | Valve Assembly Less Hood LML-15 | 3 | 3 | C |
| | M8-50 | Small Hood Propane | 3 | 3 | C |
| | 1087696 | Gas Valve | 3 | 3 | C |
| | M8-57 | Small Orifice 57 Size Natural | 3 | 3 | C |
| | 1086580 | Natural #48 W/EXT. | | 1 | C |
| | M8-48 | Small Orifice 48 Size Natural | | 1 | C |
| | 1086579 | LP #55F W/EXT | | 1 | C |
| | M8-55 | Small Orifice 55 Size | | 1 | |
| 8 | 1028308 | 3/16 Aluminum Tubing | | 1 | |
| | G02716-2 | Dial - (Universal) Medium Shaft | 3 | 4 | C |
| 9 | G02725-21 | Dial Insert (Blank) | 3 | 4 | C |
| | 1731803 | Valve Panel Raised Grid H283 | 1 | | |
| 10 | 1730103 | Valve Panel Raised Grid | | 1 | |
| | 2404300 | Grease Chute Front H283 | 1 | | |
| | 2404400 | Grease Chute Back | 1 | | |
| | 2681600 | Grease Chute Front | | 1 | |
| | 2681700 | Grease Chute Back | | 1 | |
| 11 | 1087000 | Griddle Valve Shield | 1 | 1 | |
| | 1085700 | Griddle Burner Rest | 1 | 1 | |
| 12 | 1081999 | Griddle Right Side Liner Assembly | 1 | 1 | |
| 13 | 1081998 | Griddle Left Side Liner Assembly | 1 | 1 | |
| 14 | 1511200 | Griddle Back Lining | 1 | 1 | |
| 15 | 1090798 | Rack- 1090797/1090600 | 1 | 1 | |
| | 1090600 | Broiler Rack Chrome | 1 | 1 | |
| | 1090797 | Broil Rack Drip Shield | 1 | 1 | |
| 16 | 2354699 | Grease Drawer Assembly | | 1 | |
| | 1728802 | Grease Drawer Handle | 1 | | |
| | 1729501 | Grease Drawer 283 | 1 | | |
| | 2363300 | Handle Griddle Drawer F/H283 | 1 | | |
| | 2355801 | Grease Drawer Handle | | 1 | |
| 19 | 1726801 | Grease Drawer H2850 4-3/8" | | | |
| | 1084707 | Broiler Box Left Side | 1 | 1 | |
| 20 | 1085401 | Broiler Side Veneer | 1 | 1 | |
| | 1605001 | Broiler / Body Side RT CR | 1 | 1 | |
| | 1605003 | Broiler Body Right Side | 1 | 1 | |
| 21 | 1728602 | Front Rail H283 | 1 | 1 | |
| | 1728603 | Front Rail 285 RGB | 1 | 1 | |
| 22 | 1050507 | (283) Lighter Tube 17-5/8 | 1 | 1 | C |
| 23 | 1050271 | Pilot Tube Orifice Fitting Propane | 1 | 1 | |
| 24 | 1004801 | Pipe Coupling | 1 | 1 | |

* NOT ILLUSTRATED

RECOMMENDED STOCK PARTS

GARLAND PARTS IDENTIFICATION

Raised Griddle/Broiler Section

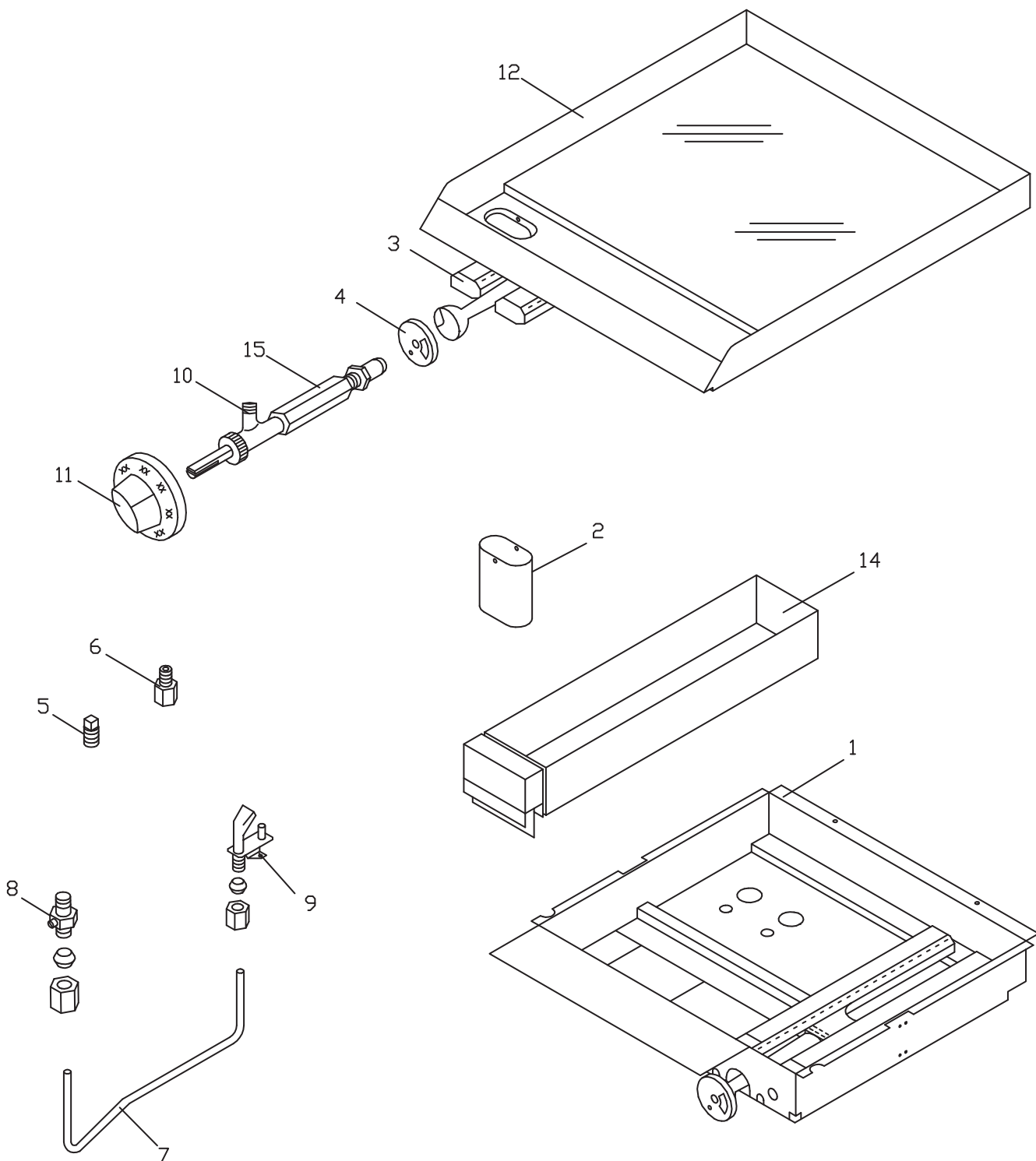
HP-280 Series Parts

| ITEM | PART # | DESCRIPTION | QUANTITY | | CRITICAL |
|------|---------|-----------------------------|----------|-----|----------|
| | | | 24" | 36" | |
| 25 | 1026730 | Elbow Street 1/8" 90 Degree | 1 | 1 | |
| 26 | 1004604 | Nipple | 1 | 1 | |
| 27 | 1781801 | Pilot Bracket | 1 | 1 | |
| 28 | 2202999 | Manifold Assembly | 1 | | |
| | 2202899 | Manifold Assembly | | 1 | |
| 29* | 1281998 | Griddle Splash 24" | | | |
| | 1281997 | Griddle Splash 36" | | | |

* NOT ILLUSTRATED

RECOMMENDED STOCK PARTS

NOTES



HP280 Valve Control.drw

GARLAND PARTS IDENTIFICATION

Valve Control Griddle Section

HP-280 Series Parts

| ITEM | PART # | DESCRIPTION | QUANTITY | | | | CRITICAL |
|------|-----------------|---|----------|-----|-----|-----|----------|
| | | | MODEL | | | | |
| | | | 12" | 24" | 36" | 48" | |
| 1 | 1728398 | 12" Insert Burner Box Assembly | 1 | | 1 | | |
| | 1728399 | 24" Insert Burner Box Assembly W/A | | 1 | 1 | 2 | |
| 2 | 1102000 | Drain Tube 5" | 1 | 1 | 1 | 1 | |
| 3 | 1014901 | Griddle H Burner | 1 | 2 | 3 | 4 | C |
| 4 | 1028002 | Air Shutter | 1 | 2 | 3 | 4 | C |
| 5 | 2203400 | Counter Sunk Hex Pipe Plug 1/8" NPT | 1 | 2 | 3 | 4 | |
| 6 | 1086000 | 1/8 NPT Adapter | 1 | 2 | 3 | 4 | |
| 7 | 1259514 | 3/16 Steel Tubing x 14" Used Up To Nov./97 | 1 | 2 | 3 | 4 | |
| | 1028312 | 3/16 Aluminum Tubing Used From Nov./97 | 1 | 2 | 3 | 4 | |
| 8 | 1086597 | 3/16 Pilot Adjusting Valve | 1 | 2 | 3 | 4 | C |
| 9 | 1415301 | 2C-2 Pilot Propane | 1 | 2 | 3 | 4 | C |
| | 1028207 | Pilot Orifice Propane (.011) | 1 | 2 | 3 | 4 | C |
| | 1415300 | 2C-2 Pilot Natural | 1 | 2 | 3 | 4 | C |
| | 1028206 | Pilot Orifice Natural (.021) | 1 | 2 | 3 | 4 | C |
| 10 | 1086579 | LP #55F W/Ext. | 1 | 2 | 3 | 4 | C |
| | M8-55 | Small Orifice 55 Size | | | | | C |
| | 1086580 | Natural #48 W/EXT | 1 | 2 | 3 | 4 | C |
| | M8-48 | Small Orifice 48 Size Natural | | | | | C |
| 11 | G02716-2 | Dial - (Universal) Medium Shaft | 1 | 2 | 3 | 4 | C |
| | G02725-2 | Dial Insert (OFF/MAX/MIN) | 1 | 2 | 3 | 4 | C |
| 12 | 2494899 | Griddle Assembly 12" | 1 | | | | |
| | 2494898 | Griddle Assembly 24" | | 1 | | | |
| | 2494897 | Griddle Assembly 36" | | | 1 | | |
| | 2494896 | Griddle Assembly 36" LT | | | 1 | | |
| | 2411395 | 48" Griddle Assembly REF:1728099 | | | | 1 | |
| 13* | 1281999 | Griddle Front Splash Assembly 12" | 1 | | | | |
| | 1281998 | Griddle Front Splash Assembly 24" | | 1 | | | |
| | 1281997 | Griddle Front Splash Assembly 36" | | | 1 | | |
| | 1281996 | Griddle Front Splash Assembly 48" | | | | 1 | |
| 14 | 2354699 | Grease Drawer Assembly | | 1 | 1 | 2 | |
| | 2355801 | Grease Drawer Handle | | 1 | 1 | 2 | |
| 15 | 2430400 | Valve Extension | | | | | |

* NOT ILLUSTRATED

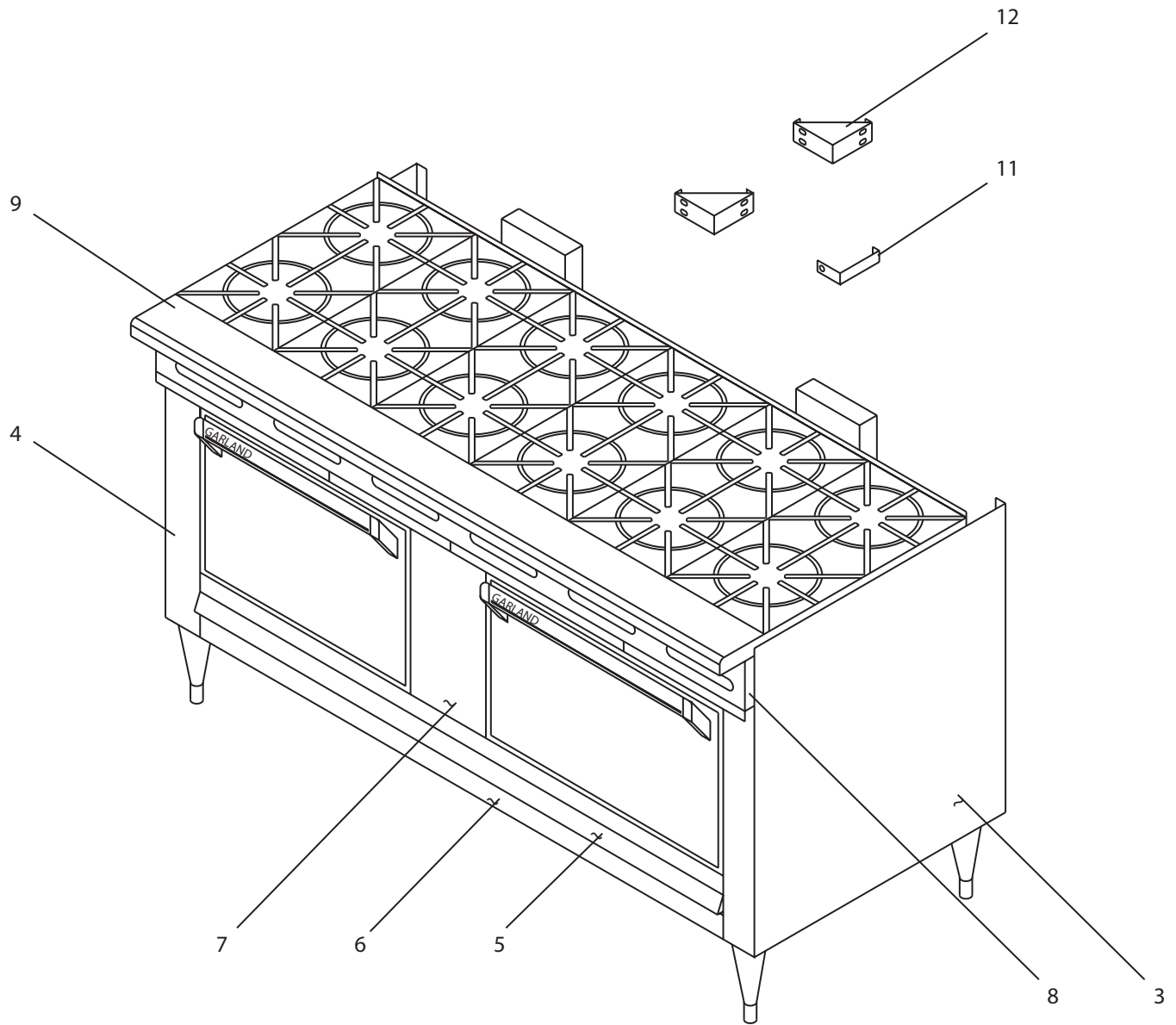
RECOMMENDED STOCK PARTS

GARLAND PARTS IDENTIFICATION
Thermostatically Controlled Griddle Section
HP-280 Series Parts

| ITEM | PART # | DESCRIPTION | QUANTITY | | | | CRITICAL |
|------|----------|---|----------|-----|-----|-----|----------|
| | | | MODEL | | | | |
| | | | 12" | 24" | 36" | 48" | |
| 1 | 1728398 | 12" Insert Burner Box Assembly | 1 | | 1 | | |
| | 1728399 | 24" Insert Burner Assembly W/A | | 1 | 1 | 2 | |
| 2a | 2398900 | Grease Shoot Back H/S/ST280 | 1 | 1 | 1 | 1 | |
| 2b | 2399000 | Grease Shoot Front H/S/ST280 | 1 | 1 | 1 | 1 | |
| 3 | 1014901 | Griddle H Burner | 1 | 2 | 3 | 4 | C |
| 4 | 1028003 | Top Air Shutter | 1 | 2 | 3 | 4 | C |
| 5 | 2203400 | Counter Sunk Hex Pipe Plug 1/8" NPT | 1 | 2 | 3 | 4 | |
| 6 | 1086000 | 1/8 NPT Adapter | 1 | 2 | 3 | 4 | |
| 7 | 1028312 | 3/16 Aluminum Tubing | 1 | 2 | 3 | 4 | |
| 8 | 1086597 | 3/16 Pilot Adjusting Valve | 1 | 2 | 3 | 4 | C |
| 9 | 1415301 | 2C-2 Pilot Propane | 1 | 2 | 3 | 4 | C |
| | 1028207 | Pilot Orifice LP (.011) | | | | | C |
| | 1415300 | 2C-2 Pilot Natural | 1 | 2 | 3 | 4 | C |
| | 1028206 | Pilot Orifice Natural (.021) | 1 | 2 | 3 | 4 | C |
| 10 | 1360200 | Thermostat | 1 | 2 | 3 | 4 | C |
| 11 | 1224504 | Dial | 1 | 2 | 3 | 4 | C |
| 12 | 2494899 | Griddle Assembly 12" | 1 | | | | |
| | 2494898 | Griddle Assembly 24" | | 1 | | | |
| | 2493897 | Griddle Assembly 36" | | | 1 | | |
| | 2494896 | Griddle Assembly 36" LT | | | 1 | | |
| | 2411395 | 48" Griddle Assembly REF:1728099 | | | | 1 | |
| 13* | 1281999 | Griddle Front Splash Assembly 12" | 1 | | | | |
| | 1281998 | Griddle Front Splash Assembly 24" | | 1 | | | |
| | 1281997 | Griddle Front Splash Assembly 36" | | | 1 | | |
| | 1281996 | Griddle Front Splash Assembly 48" | | | | 1 | |
| 14 | 2354699 | Grease Drawer Assembly | | 1 | 1 | 2 | |
| | 2355801 | Grease Drawer Handle | | 1 | 1 | 2 | |
| 15 | G02352-1 | Elbow 3/8 NPT to 7/16CC 69-7-C | 1 | 2 | 3 | 4 | |
| 16 | 1729302 | Orifice Tubing | 1 | 2 | 3 | 4 | |
| 17 | 1028988 | Orifice Fitting Assembly (Propane) | 1 | 2 | 3 | 4 | C |
| | 1028987 | Orifice Fitting Assembly (Natural) | 1 | 2 | 3 | 4 | C |
| 18 | 1729301 | Orifice Fitting | 1 | 2 | 3 | 4 | |
| 20 | M8-55 | Small Orifice 55 Size | 1 | 2 | 3 | 4 | C |
| | M8-48 | Small Orifice 48 Size Natural | 1 | 2 | 3 | 4 | C |

* NOT ILLUSTRATED

RECOMMENDED STOCK PARTS



GARLAND PARTS IDENTIFICATION

Exterior Finish

HP-280 Series Parts

Standard Finish

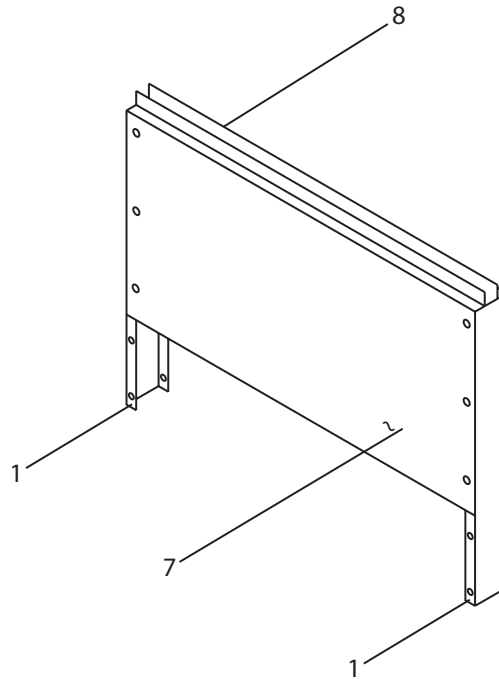
| ITEM | PART # | DESCRIPTION | QUANTITY | | | | |
|------|---------|----------------------------|----------|-----|-----|-----|-----|
| | | | MODEL | | | | |
| | | | 24" | 36" | 48" | 60" | 72" |
| 3 | 1731302 | Body Side RT CR | 1 | | 1 | 1 | |
| | 1731202 | Body Side RT CR | | 1 | | | 1 |
| | 1605001 | Broiler/Body Side RT CR | | | | | |
| 4 | 1081106 | Body Side L/H H284/7 | 1 | | 1 | 1 | |
| | 1731201 | Body Side LT CR | | 1 | | | 1 |
| 5 | 1374000 | Kick Panel Upper 24" | 1 | | | | |
| | 1374003 | Kick Panel Upper S/S 30" | | 1 | | | |
| | 1374004 | Kick Panel Upper 48" | | | 1 | | |
| | 1374007 | Kick Panel Upper 60" | | | | 1 | |
| | 1374008 | Kick Panel Upper G289 72" | | | | | 1 |
| 6 | 1374100 | Kick Panel Lower 24" F/G28 | 1 | | | | |
| | 1374102 | Kick Panel | | 1 | | | |
| | 1374104 | Kick Panel Lower 48" | | | 1 | | |
| | 1374106 | Kick Panel Lower 60" | | | | 1 | |
| | 1374108 | Kick Panel Lower G289 72" | | | | | 1 |
| 7 | 1081505 | Centre Column | | | 1 | 1 | |
| | 1370103 | Centre Column S/S | | | | | 1 |

Stainless Steel

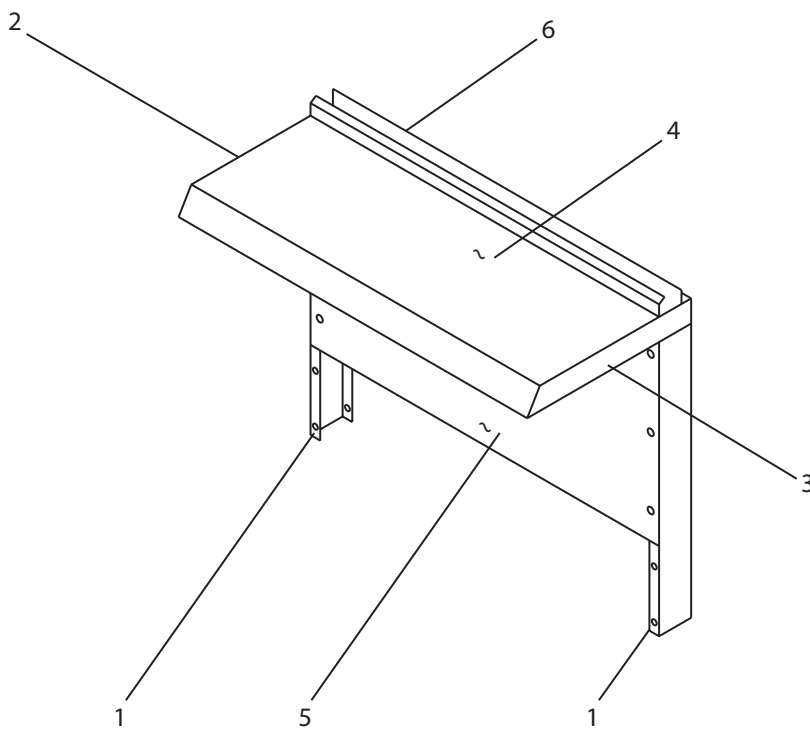
| ITEM | PART# | DESCRIPTION | QUANTITY | | | | |
|------|--------------|--------------------------------|----------|-----|-----|-----|-----|
| | | | MODEL | | | | |
| | | | 24" | 36" | 48" | 60" | 72" |
| 3 | 1731304 | Body Side RT S/S | 1 | | 1 | 1 | |
| | 1731204 | Body Side RT S/S | | 1 | | | 1 |
| | 1605003 | Broiler Body Right Side | | | | | |
| 4 | 1731303 | Body Side LT S/S | 1 | | 1 | 1 | |
| | 1731203 | Body Side LT S/S | | 1 | | | 1 |
| 5 | 1374001 | Kick Panel Upper 24" S/S | 1 | | | | |
| | 1374003 | Kick Panel Upper S/S 30" | | 1 | | | |
| | 1374005 | Kick Panel Upper 48" | | | 1 | | |
| | 1374007 | Kick Panel Upper 60" | | | | 1 | |
| | 1374009 | Kick Panel Upper S/S G289 | | | | | 1 |
| 6 | 1374101 | Kick Panel Lower 24" S/S | 1 | | | | |
| | 1374103 | Kick Panel Lower S/S 30" | | 1 | | | |
| | 1374105 | Kick Panel Lower 48" | | | 1 | | |
| | 1374107 | Kick Panel Lower 60" Stainless | | | | 1 | |
| | 1374109 | Kick Panel Lower S/S G289 | | | | | 1 |
| 8 | 1730801 | Valve Panel H28 | 1 | | | | |
| | 1729701 | Valve Panel H286 (US Version) | | 1 | | | |
| | 1729707 | Valve Panel H288 | | | 1 | | |
| | 1729759 | Valve Panel 288 RT | | | | 1 | |
| | 1731101 | Valve Panel H/P289 | | | | | 1 |
| 9 | See Page #28 | | | | | | |
| 11 | 1364200 | Main Back Stiffener | | | | | |
| 12 | 1759701 | Body Side Gusset | | | | | |

* NOT ILLUSTRATED

RECOMMENDED STOCK PARTS



BACKGUARD



HI-SHELF

REV. 0
HP280-Hi Shelf.dwg

GARLAND PARTS IDENTIFICATION

Backguard & Section

HP-280 Series Parts

| ITEM | PART # | DESCRIPTION | QUANTITY | | | | |
|------|---------|------------------------------------|----------|-----|-----|-----|-----|
| | | | MODEL | | | | |
| | | | 24" | 36" | 48" | 60" | 72" |
| 1 | 1390101 | Upright R/H L/H SS | 2 | 2 | 2 | 2 | 2 |
| 2 | 1364902 | Shelf Support L/H | 1 | 1 | 1 | 1 | 1 |
| 3 | 1364903 | Shelf Support | 1 | 1 | 1 | 1 | 1 |
| 4 | 1390200 | SDHS Top 24" S/S | 1 | | | | |
| | 1390201 | SDHS Top 36" S/S | | 1 | | | |
| | 1390202 | SDHS Top 48" S/S | | | 1 | | |
| | 1390203 | SDHS Top 60" S/S | | | | 1 | |
| | 1390204 | SDHS Top 72" S/S | | | | | 1 |
| 5 | 1390301 | SDHS Front Panel 24" S/S | 1 | | | | |
| | 1390303 | SDHS Panel 36" S/S | | 1 | | | |
| | 1390305 | SDHS Front Panel 48" S/S | | | 1 | | |
| | 1390309 | SDHS Front Panel 60" S/S | | | | 1 | |
| | 1390307 | SDHS Front Panel 72" S/S | | | | | 1 |
| | 1390311 | SDHS Front Panel 60" S/S/G283 | | | | | |
| | 1390313 | SDHS Front Panel 60" S/S/G285 | | | | | |
| 6 | 1390500 | SDHS Backguard Back 24" STD | 1 | | | | |
| | 1390502 | High Shelf Back 36" | | 1 | | | |
| | 1390504 | SDHS Backguard Back 48" Std | | | 1 | | |
| | 1390506 | SDHS Backguard Back 48" AZ | | | | | |
| | 1390508 | SDHS Back 60" | | | | 1 | |
| | 1390510 | SDHS Backguard Back 72" Std | | | | | 1 |
| 7 | 1390401 | Backguard Front Panel 24" S/S | 1 | | | | |
| | 1390403 | Backguard Front Panel S/S 36" | | 1 | | | |
| | 1390405 | Backguard Front Panel 48" S/S | | | 1 | | |
| | 1390409 | Backguard Front Panel S/S 60" | | | | 1 | |
| | 1390407 | Backguard Front Panel 72" S/S | | | | | 1 |
| | 1390411 | Backguard Front Panel S/S 60" G283 | | | | | |
| | 1390413 | Backguard Front Panel 60" S/S/G285 | | | | | |
| 8 | 1390600 | Backguard Back Standard 24" | 1 | | | | |
| | 1390602 | Backguard Back Standard 36" | | 1 | | | |
| | 1390604 | Backguard 48" Standard | | | 1 | | |
| | 1390608 | Backguard Back Standard 60" | | | | 1 | |
| | 1390610 | Backguard Back 72" Standard | | | | | 1 |

* NOT ILLUSTRATED

RECOMMENDED STOCK PARTS

GARLAND PARTS IDENTIFICATION

Appendix

HP-280 Series Parts

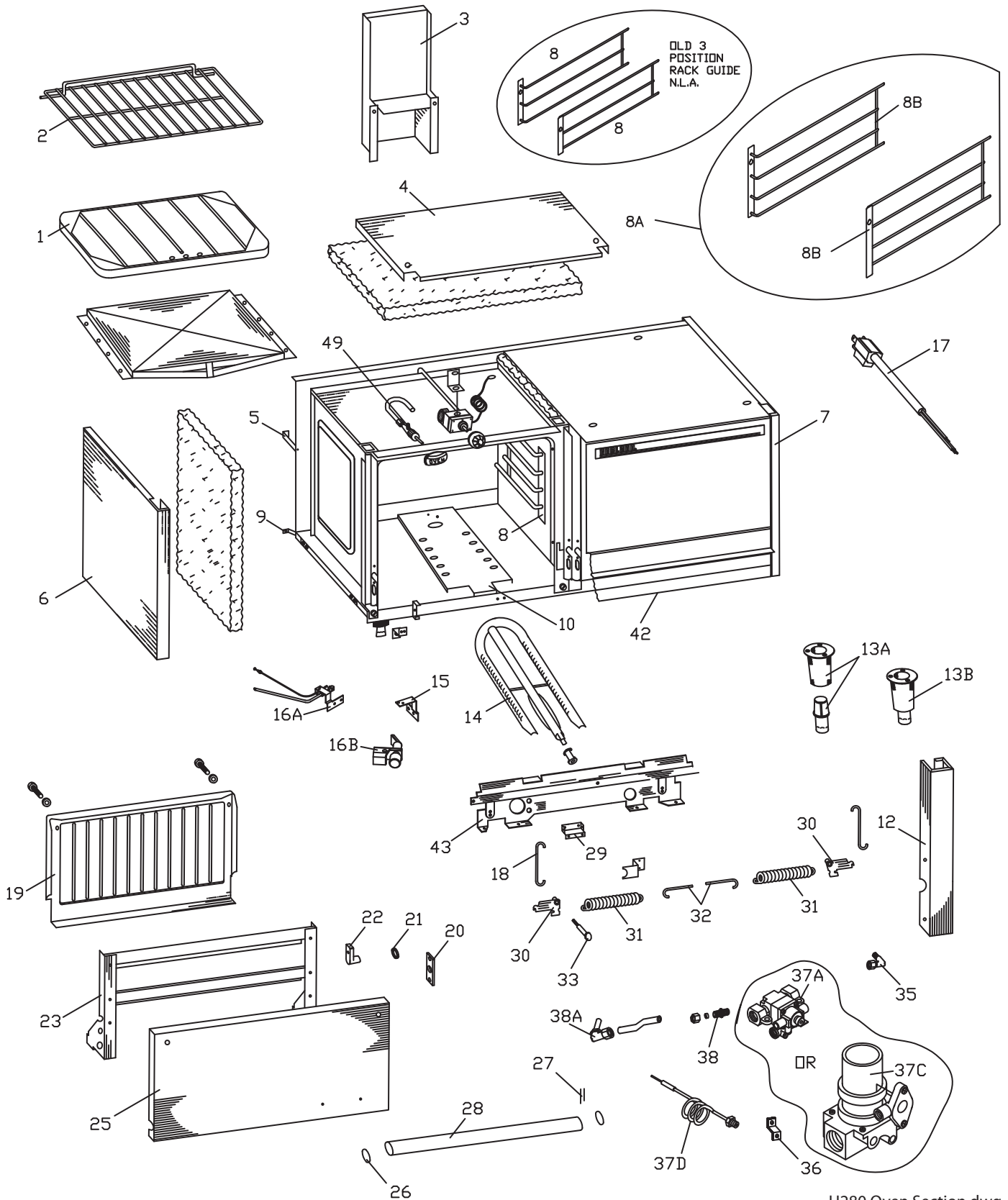
| PART # | DESCRIPTION | WHERE USED | UP TO DATE | FROM DATE |
|-------------------------|--------------------------------|---------------------------------|------------|-----------|
| 1728501 | 24" Front Rail | H28, 281, 285 | 27-Apr-94 | |
| 1728551 | 24" Front Rail | H28, 281, 285 | | 27-Apr-94 |
| 1728503 | 36" Front Rail | H286,282, 283 | 27-Apr-94 | |
| 1728553 | 36" Front Rail | H286,282, 283 | | 27-Apr-94 |
| 1728505 | 48" Front Rail | H288 | 27-Apr-94 | |
| 1728555 | 48" Front Rail | H288 | | 27-Apr-94 |
| 1728507 | 60" Front Rail | H284, 287 | 27-Apr-94 | |
| 1728557 | 60" Front Rail | H284, 287 | | 27-Apr-94 |
| 1728598 | 36" Front Rail RC | H282RC, 283RC | | |
| 1728597 | 36" Front Rail RC | H286RC | | |
| 1728593 | 48" Front Rail RC | H288SRC | | |
| 1728599 | 60" Front Rail RC | H284RC (1 oven RC only) | | |
| 1728591 | 24" Front Rail RC2 | H281 / H285RC | | |
| 1728594 | 36" Front Rail RC2 | H283RC2 | | |
| 1728592 | 60" Front Rail RC2 | H284RC2 - (2 ovens RC) | | |
| 1728595 | 60" Front Rail RC2 | H284RC2 | | |
| 1728602 | 24" Front Rail (Special Notch) | 282, 283 Griddle Rail & RC, RC2 | | |
| 1728603 | 36" Front Rail (Special Notch) | 281, 285 Griddle Rail & RC, RC2 | | |
| 1728590 | 24" Front Rail | H285RC2 | | |
| 1728512 | 72" Front Rail | H289, H289S | | |
| 2471699 | 72" Front Rail | H289RC, H289SRC | | |
| 2471698 | 72" Front Rail | H289RC2 | | |



SECTION TWO

Covers units with the serial numbers ending with three digits and an "R" on the end of the serial number i.e. 9905GR543R. This section also covers recent currant ranges manufactured.

PARTS LIST



H280 Oven Section.dwg

GARLAND PARTS IDENTIFICATION
H280 Series Oven Section

| ITEM | PART # | DESCRIPTION | QUANTITY | | | | | |
|--|---------|---|-------------|------|------|------|---------------|------|
| | | | MODELS | | | | | |
| | | | H280 | H288 | H286 | H289 | H283/ H285 | H284 |
| 1 | 2157098 | Oven Bottom | 1 | 2 | | | | |
| | 1438494 | Oven Bottom Assembly Up to Oct 31/02 | | | 1 | 2 | 2 | 2 |
| | 1438496 | Oven Bottom Assembly From Oct 31/02 | | | 1 | 2 | 2 | 2 |
| 2 | 2301200 | Oven Rack Assembly | | | 2 | 4 | 4 | 4 |
| | 2301201 | Oven Rack | 2 | 4 | | | | |
| 3 | 1005399 | Flue Body Assembly | 1 | 2 | 1 | 2 | 2 | 2 |
| | 1080915 | Burner Box Bottom | | | 1 | 2 | | |
| 4 | 1368700 | Burner Box Bottom | 1 | 2 | | | | |
| | 1392200 | Burner Box Bottom | | | | | 2 | 2 |
| 5 | 1364200 | Main Back Stiffener | 2 | 2 | 2 | 2 | 2 | 2 |
| 6 | 1731303 | Body Side Left S/S (Up to May 2000) | 1 | 1 | | | 1 | 1 |
| | 1081108 | Body Side Left S/S (From May 2000) | 1 | 1 | | | 1 | 1 |
| | 1731203 | Body Side Left S/S (Up to May 2000) | | | 1 | 1 | | |
| | 1081109 | Body Side Left S/S (From May 2000) | | | 1 | 1 | | |
| 7 | 1731304 | Body Side Right S/S (Up to May 2000) | 1 | 1 | | | | 1 |
| | 1081113 | Body Side Right S/S (From May 2000) | 1 | 1 | | | | 1 |
| | 1731204 | Body Side Right S/S (Up to May 2000) | | | 1 | 1 | | |
| | 1081104 | Body Side Right S/S (From May 2000) | | | 1 | 1 | | |
| | 1605003 | Broiler Body Right Side | | | | | | |
| 8 | 2297700 | Oven Rack Slide Assy RH - NLA | 1 | 2 | 1 | 2 | 2 | 2 |
| | 2297701 | Oven Rack Slide Assy LH - NLA | 1 | 2 | 1 | 2 | 2 | 2 |
| IMPORTANT NOTES FOR THE OVEN RACK GUIDE | | | | | | | | |
| Both 3 position rack guides will have to be replaced, when changing to the new 4 position rack guide. Order Part # 4519545 . Oven Rack Guide Kit which includes both racks (Rt & Lt). Mounting method is the same. | | | | | | | | |
| 8A | 4519545 | Oven Rack Slide Assy LT/RT Kit (2 Racks Included) From Serial # 0410100109744, Implementation Date: Nov 05/04 | 1 | 2 | 1 | 2 | 2 | 2 |
| 8B | 4518127 | Oven Rack Slide Assy LT/RT From Serial #0410100109744, Implementation Date: Nov 05/04 | 1 Each Side | | | | | |
| 9 | 1081300 | Side Rear Brace | 2 | 2 | 2 | 2 | 2 | 2 |
| 10 | 2298500 | Oven Burner Rest Support | 1 | 2 | 1 | 2 | 2 | 2 |
| 11* | 1391300 | Tubing Shield | 1 | 2 | 1 | 2 | 2 | 2 |
| 12 | 1081506 | Centre Column | | 1 | | | 1 | 1 |
| | 1370101 | Center Column | | | | 1 | | |
| 13A | 1027600 | Leg Retainer 6" (Std.) | 4 | 4 | 4 | 4 | 4 | 4 |
| | 2093800 | Leg Retainer 4" (Opt.) | 4 | 4 | 4 | 4 | 4 | 4 |
| | 1150502 | Bullet Legs | 4 | 4 | 4 | 4 | 4 | 4 |
| | 1027800 | Swivel Caster Less Brake (Up To Dec. 10. 2004) | 2 | 2 | 2 | 2 | 2 | 2 |
| | 4519432 | Swivel Caster (From Dec. 10, 2004) | 2 | 2 | 2 | 2 | 2 | 2 |
| | 1027801 | Swivel Caster C/W Brake (Up To Dec. 10. 2004) | 2 | 2 | 2 | 2 | 2 | 2 |
| | 4519433 | Swivel Caster With Brake (From Dec 10, 2004) | 2 | 2 | 2 | 2 | 2 | 2 |
| | F445 | Leg Screw #14 | 12 | 12 | 12 | 12 | 12 | 12 |
| 13B^ | 4519723 | 6" S/S Adjustable Leg (Optional) | 4 | 4 | 4 | 4 | 4 | 4 |
| 14 | 2298300 | Steel U Burner H280 | 1 | 2 | 1 | 2 | 2 | 2 |
| 15 | 2354900 | Pilot Bracket | 1 | 2 | 1 | 2 | 2 | 2 |
| 16A^ | 1415300 | 2C-2 Pilot Natural – Used in Std Oven | 1 | 2 | 1 | 2 | 2 | 2 |
| | 1415301 | 2C-2 Pilot Propane – Used in Std Oven | 1 | 2 | 1 | 2 | 2 | 2 |
| 16B | 1415302 | 2C-2 Pilot Manufactured Used in Std Oven | 1 | 2 | 1 | 2 | 2 | 2 |
| 18 | 1082802 | Oven Door Hinge Link RT | 1 | 2 | 1 | 2 | 2 | 2 |
| | 1082803 | Oven Door Hinge Link LT | 1 | 2 | 1 | 2 | 2 | 2 |

* NOT ILLUSTRATED

^ PHOTO AT THE END

RECOMMENDED STOCK PARTS

GARLAND PARTS IDENTIFICATION
H280 Series Oven Section

| ITEM | PART # | DESCRIPTION | QUANTITY | | | | | |
|-------|--|---|----------|------|------|------|---------------|------|
| | | | MODELS | | | | | |
| | | | H280 | H288 | H286 | H289 | H283/ H285 | H284 |
| 19 | 1439796 | Oven Door Lining Enamelled | | | 1 | 2 | 2 | 2 |
| | 1439795 | Oven Door Lining Enamelled | 1 | 2 | | | | |
| 20 | 1083001 | Trunion Support | 2 | 4 | 2 | 4 | 4 | 4 |
| 21 | 1082700 | Harness Ring 7 GA | 2 | 4 | 2 | 4 | 4 | 4 |
| 22 | 1082500 | Oven Door Trunion | 2 | 4 | 2 | 4 | 4 | 4 |
| 23 | G03984-03-8 | Oven Door Insert Assembly | | | 1 | 2 | 2 | 2 |
| | G03984-04-8 | Oven Door Insert Assembly | 1 | 2 | | | | |
| 24* | 1592000 | Handle Overlay 24 3/8" x 1 21/64 | | | 1 | 2 | 2 | 2 |
| | 1592001 | Handle Overlay 18 3/8" x 1 21/64 | 1 | 2 | | | | |
| | 1902918 | Name Plate - GARLAND 7 3/4 | 1 | 1 | 1 | 1 | 1 | 1 |
| 25 | 1080714 | Oven Door Panel-SS | | | | 1 | 1 | 1 |
| | 1080723 | Oven Door Panel | | | 1 | 1 | 1 | 1 |
| | 1439903 | H288 LT Door Panel | 1 | 1 | | | | |
| | 1439901 | Oven Door Panel | 1 | 1 | | | | |
| 26 | 3010000 | Handle Spacer (Insert) | 2 | 4 | 2 | 4 | 4 | 4 |
| 27 | 3007300 | Handle End LH & RH From Jun 1/00 | 2 | 4 | 2 | 4 | 4 | 4 |
| | 9003701 | Handle L/H Up To Jun 1/00 | 1 | 2 | 1 | 2 | 2 | 2 |
| | 9003700 | Handle R/H Up To Jun 1/00 | 1 | 2 | 1 | 2 | 2 | 2 |
| 28 | 3017000 | Door Handle | | | 1 | 2 | 2 | 2 |
| | 3017001 | Door Handle | 1 | 2 | | | | |
| | 1589100 | Extruded Handle Bar 24 3/8" | | | 1 | 2 | 2 | 2 |
| | 1589101 | Extruded Handle Bar 18.375 | 1 | 2 | | | | |
| 29 | 1361000 | Orifice Bracket | | | 1 | 2 | 2 | 2 |
| | 2330800 | Orifice Bracket | 1 | 2 | | | | |
| 30 | 1082196 | Oven Door Bell Crank 24" | 1 | 2 | | | | |
| | 1082198 | L/H Bell Crank Assembly | | | 1 | 2 | 2 | 2 |
| | 1082199 | R/H Bell Crank Assembly | | | 1 | 2 | 2 | 2 |
| 31 | 1005800 | Door Spring | 1 | 2 | 2 | 4 | 4 | 4 |
| | 9004701 | Oven Door Spring Hook | | | 2 | 4 | 4 | 4 |
| 32 | G01246-1-8 | Spring Hook | 1 | 2 | | | | |
| 33 | GF299 | 1/4-20 x 1/2 Shoulder Bolt | 1 | 2 | 2 | 4 | 4 | 4 |
| 34* | 1028382 | 3/16 Alum Tubing 82.00" | 1 | 22 | 4 | 4 | 4 | 4 |
| 35 | G02352-1 | Elbow 3/8 NPT To 7/16CC 69-7C | 1 | 2 | 1 | 2 | 2 | 2 |
| 36 | G03699-1-6 | Safety Valve Bracket H280 | 1 | 2 | 1 | 2 | 2 | 2 |
| 37A^ | G01479-01 | TS11J Safety Valve (Refer to Photo - Page 45) | 1 | 2 | 1 | 2 | 2 | 2 |
| 37C^ | 1415703 | High Temp Baso Valve (Refer to Photo- Page 45) | 1 | 2 | 1 | 2 | 2 | 2 |
| | See Page 44 For Complete List Of Fittings/Tubing Used With Baso Valve | | | | | | | |
| 37D*^ | 4518817 | Thermocouple 18" (Slip in Type) Used with T11 & Baso Valve | 1 | 2 | 1 | 2 | 2 | 2 |
| 38 | 1095499 | Straight Connector 3/8 x 7/16CC | 1 | 2 | 1 | 2 | 2 | 2 |
| 38A | 141553F | Oven Orifice Fitting Nat. | | | 1 | 2 | 2 | 2 |
| 39* | 2298600 | Front Air Shield | | | 1 | 2 | 2 | 2 |
| | 2331100 | Left Air Shield | 1 | 2 | | | | |
| | 2331200 | Right Air Shield | 1 | 2 | | | | |
| 40* | 2376703 | Kick Panel H288 | 1 | 2 | | | | |
| | 2376702 | Kick Panel From 9909RG329R | | | 1 | 2 | 2 | 2 |
| | 2376702 | Lower Kick Panel H284 Effective 9909RG330R | | | | | | |
| | 2376703 | Lower Kick Panel H288 Effective 9909RG330R | | | | | | |

* NOT ILLUSTRATED

^ PHOTO AT THE END

RECOMMENDED STOCK PARTS

GARLAND PARTS IDENTIFICATION
H280 Series Oven Section

| ITEM | PART # | DESCRIPTION | QUANTITY | | | | | |
|-----------------------|--------------------------|--|----------|------|------|------|---------------|------|
| | | | MODELS | | | | | |
| | | | H280 | H288 | H286 | H289 | H283/ H285 | H284 |
| 41* | 1374003 | Kick Panel Upper S/S 30" | | | 1 | | | |
| | 1374001 | Kick Panel Upper 24" S/S | 1 | | | | | |
| | 1374005 | Kick Panel Upper 48" | | 1 | | | | |
| | 1374007 | Kick Panel Upper 60" | | | | | 1 | 1 |
| | 1374009 | Kick Panel Upper S/S G289 | | | | 1 | | |
| 42 | 1374111 | Kick Panel Lower 30" | | | 1 | | | |
| | 1374121 | Kick Panel Lower 24" SS Blank | 1 | | | | | |
| | 1374125 | Kick Panel Lower 48" SS Blank | | 1 | | | | |
| | 1374113 | Kick Panel Lower | | | | | 1 | 1 |
| | 1374129 | Kick Panel Lower 72" SS Blank | | | | 1 | | |
| 43 | 1082001 | Lower Front Plate | | | 1 | 2 | 2 | 2 |
| | 1368500 | Lower Front Plate | 1 | 2 | | | | |
| 44* | 1067801 | Body Side Support | | | | | | |
| 45* | 1090311 | Tubing for Thermostat Manifold | 1 | 2 | 1 | 2 | 1 | 2 |
| 46* | 1392500 | 7/16 Tube Safety To Orifice | 1 | 2 | 1 | 2 | 2 | 2 |
| 47* | G0742-1 | 1/4 Aluminum Tubing x 12.0" | 1 | 2 | 1 | 2 | 2 | 2 |
| 48* | 1369700 | Oven Tubing | 1 | 2 | | | | |
| | 1439300 | Oven Tubing Left | | | 1 | 1 | 1 | 1 |
| | 1439500 | Oven Tubing Right | | | | 1 | 1 | 1 |
| 49 | 1085999 | Oven Valve | 2 | 2 | 1 | 2 | 2 | 2 |
| 54* | 1005598 | Oven Bottom USE 1438494 Used Up to Nov./97 | | | | | | |
| | 1438494 | Oven Bottom Assembly Used From Nov./97 | | | | | | |
| Kits Available | | | | | | | | |
| * | CK137A | Complete Door Assembly (Round) CAN/US | | | | | | |
| | 4512222A | H280 Door C/W SS Liner GCR | | | | | | |

* NOT ILLUSTRATED

^ PHOTO AT THE END

RECOMMENDED STOCK PARTS

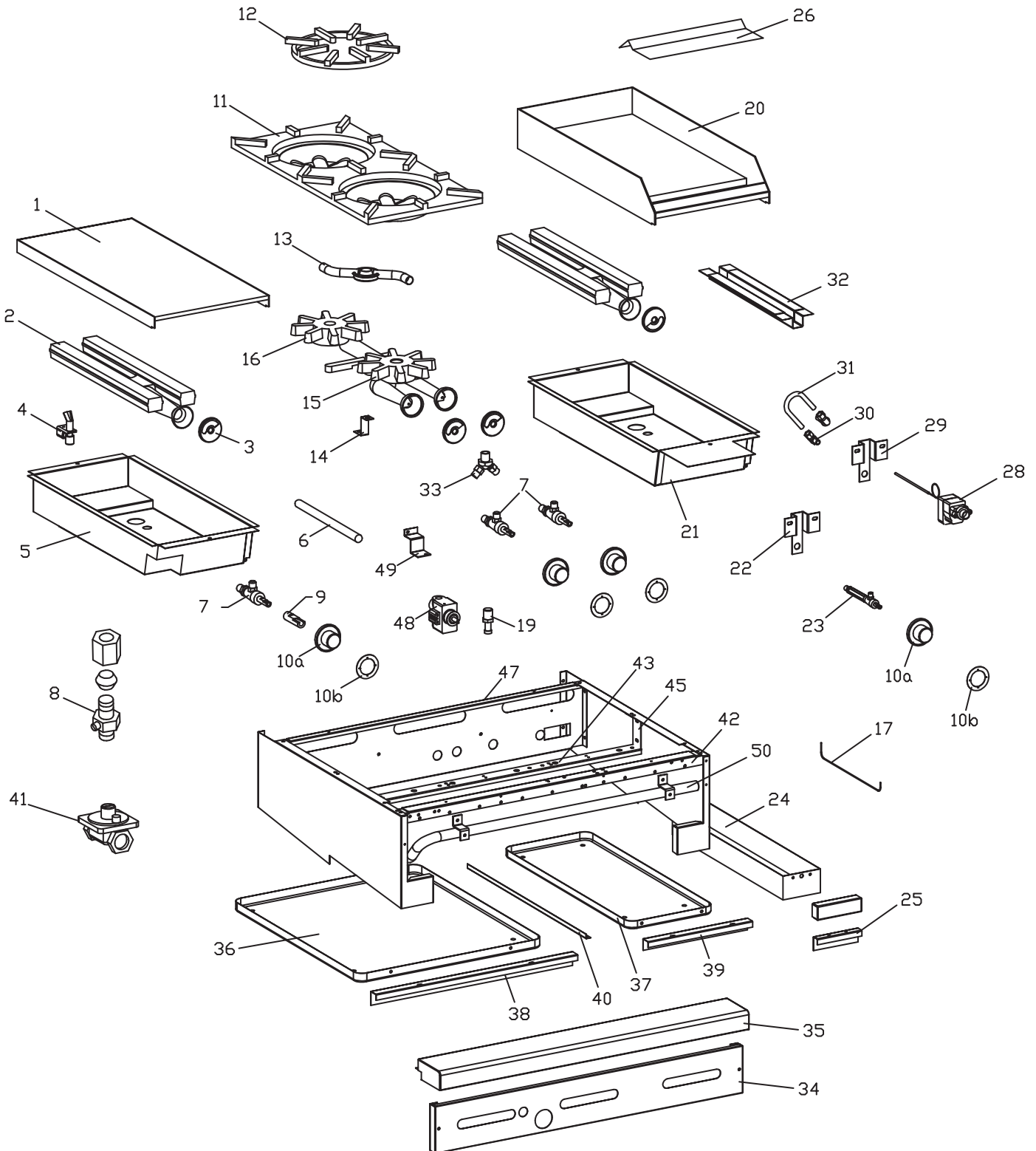
GARLAND PARTS IDENTIFICATION
H280 Series RC Oven Section

| ITEM | PART # | DESCRIPTION | QUANTITY | | | | | |
|------|---------------------------|---|----------|------|------|------|---------------|------|
| | | | MODELS | | | | | |
| | | | H280 | H288 | H286 | H289 | H283/ H285 | H284 |
| 1* | 2298300 | Steel U Burner H280 | | | | | | |
| 2^ | 078239-10 | Oven Pilot Burner Assembly (Natural) | | | | | | |
| | 078239-11 | Oven Pilot Burner Assembly (Propane) | | | | | | |
| 3^ | 4518817 | Thermocouple 18" Long | | | | | | |
| 4* | 1019600 | Door Micro Switch | | | | | | |
| 5* | CK2485801 | Fan Motor 115V (RC H/P280 Series) | | | | | | |
| | | Motor From Serial # 9904GR543R Up To Serial # 0204RG121R More details on Page 42 | | | | | | |
| 6* | 4515043 | New RC Motor Kit 115V | | | | | | |
| | | Used From April 1, 2002 or Serial # 0204RG121R More details on Page 43 | | | | | | |
| 7* | G2840-1 | Cord & Plug-Set 3/14 Wire 15A | | | | | | |
| 8* | 1357702 | Fire Plate | | | | | | |
| 17 | 4523398 | Power Cord 3/14Ga - 15 Amp SJ00W | 1 | 1 | 1 | 1 | 1 | 1 |

* NOT ILLUSTRATED

^ PHOTO AT THE END

RECOMMENDED STOCK PARTS



H280 Top Section.dwg

GARLAND PARTS IDENTIFICATION

H280 Series Surface Plate Section

HP-280 Series Parts

| ITEM | PART # | DESCRIPTION | QUANTITY | | | | |
|------|--------|-------------|----------|-----|-----|-----|-----|
| | | | MODEL | | | | |
| | | | 12" | 24" | 36" | 48" | 60" |

Hot Top Section

| | | | | | | | |
|-----|---------------------------|--|---|---|---|---|---|
| 1 | 2395099 | Hot Top Assembly 12" | 1 | 2 | 3 | 4 | 5 |
| 2 | 1014901 | Griddle H Burner | 1 | 2 | 3 | 4 | 5 |
| 3 | 1028002 | Air Shutter | 1 | 2 | 3 | 4 | 5 |
| | 2519200 | Air Shutter | 1 | 2 | 3 | 4 | 5 |
| | 1028003 | Top Air Shutter | 1 | 2 | 3 | 4 | 5 |
| 4 | 1415300 | 2C-2 Pilot Natural | 1 | 2 | 3 | 4 | 5 |
| | 1415301 | 2C-2 Pilot Propane | 1 | 2 | 3 | 4 | 5 |
| 5 | 2205399 | Burner Box 12" S280 | 1 | 2 | 3 | 4 | 5 |
| 6 | 1028308 | 3/16 Aluminum Tubing | 1 | 2 | 3 | 4 | 5 |
| 7 | 26878XX | Valve Assembly Less Hood LML-15 | 1 | 2 | 3 | 4 | 5 |
| 8 | 1086597 | 3/16 Pilot Adjusting Valve | 1 | 2 | 3 | 4 | 5 |
| 9 | 2397199 | 1-1/4" Valve Extension | | | | | |
| 10A | G02716-2 | Dial - (Universal) Medium Shaft | 1 | 2 | 3 | 4 | 5 |
| 10B | G02725-2 | Dial Insert (OFF/MAX/MIN) | 1 | 2 | 3 | 4 | 5 |
| | G02725-21 | Dial Insert (Blank) | | | | | |

Open Burner Section

| | | | | | | | |
|-----|---------------------------|------------------------------------|---|---|---|---|----|
| 11 | 1726301 | Cast Iron Top Grate | 1 | 2 | 3 | 4 | 5 |
| | 2298999 | Top Grate Assembly Enamelled | 1 | 2 | 3 | 4 | 5 |
| 12 | G6214 | Top Ring Grate (No Pins) Cast Iron | 2 | 4 | 6 | 8 | 10 |
| | 1361606 | Ring Grate 20K - Porcelain | 2 | 4 | 6 | 8 | 10 |
| 13 | G7804-280 | Lighter Assembly | 1 | 2 | 3 | 4 | 5 |
| 14 | 2271100 | Top Lighter Bracket 20K | 1 | 2 | 3 | 4 | 5 |
| 15 | 2217300 | Front Burner 20K | 1 | 2 | 3 | 4 | 5 |
| 16 | 2217301 | Rear Burner 20K | 1 | 2 | 3 | 4 | 5 |
| 17 | 1032617 | Top Lighter Tube 1/8 OD X 17 | | | | | |
| 18* | M8-42 | Small Orifice 42 Size | 2 | 4 | 6 | 8 | 10 |
| | M8-47 | Small Orifice 47 Size | 2 | 4 | 6 | 8 | 10 |
| | M8-55 | Small Orifice 55 Size | 2 | 4 | 6 | 8 | 10 |
| 19 | 1086199 | Gum Valve 1/8 | | | | | |

Griddle Section - Valve HI-Low

| | | | | | | | |
|----|-------------------------|--|---|---|---|---|---|
| 20 | 2411399 | 12" Griddle Assembly REF:1728199 | 1 | | | | |
| | 2411398 | 24" Griddle Assembly REF:1727599 | | 1 | | | |
| | 2411297 | 36" Griddle RH Assembly REF:1727899 | | | 1 | | |
| | 2411396 | 36" Griddle LH Assembly REF:1727898 | 1 | | 1 | | |
| | 2411395 | 48" Griddle Assembly REF:1728099 | | 1 | 1 | | 2 |
| 21 | 1728398 | 12" Insert Burner Box Assembly | 1 | 2 | 3 | 4 | 5 |
| | 1728399 | 24" Insert Burner Box Assembly | 1 | 2 | 3 | 4 | 5 |
| 22 | 2355900 | Stabilizer Bracket | 1 | 2 | 3 | 4 | 5 |
| 23 | 1086579 | LP # 55F W/Ext. | 1 | 2 | 3 | 4 | 5 |
| | 1086583 | Hi-Low Valve Natural #47 W/Ext. | 1 | 2 | 3 | 4 | 5 |
| 24 | 2354699 | Grease Drawer Assembly | 1 | 2 | 3 | 4 | 5 |
| 25 | 2355801 | Grease Drawer Handle | | | | | |
| 26 | 2631505 | Grease Deflector 12" | 1 | | | | |
| | 2631504 | Grease Deflector 72" | | | | | |
| | 2631503 | Grease Deflector 60" | | | | | 1 |
| | 2631502 | Grease Deflector 48" | | | | 1 | |
| | 2631501 | Grease Deflector 24" | | 1 | | | |
| | 2631500 | Grease Deflector 36" | | | 1 | | |

* NOT ILLUSTRATED

RECOMMENDED STOCK PARTS

GARLAND PARTS IDENTIFICATION

H280 Series Surface Plate Section

HP-280 Series Parts

| ITEM | PART # | DESCRIPTION | QUANTITY | | | | |
|-----------------------------------|----------------------------|------------------------------------|----------|-----|-----|-----|-----|
| | | | MODEL | | | | |
| | | | 12" | 24" | 36" | 48" | 60" |
| Griddle Section Thermostat | | | | | | | |
| 28 | 1360200 | Thermostat | | | | | |
| | 1224504 | Dial | | | | | |
| 29 | 1729301 | Orifice Holder | | | | | |
| 30 | M9-47 | Large Orifice 47 Size | | | | | |
| | M9-55 | Large Orifice 55 Size | | | | | |
| 31 | 1729302 | Orifice Tubing | | | | | |
| 32 | 1473499 | Bulb Clamp & Shield | | | | | |
| 33 | 1510403 | Gum Valve (Double) 1/8 x 3/16 | | | | | |
| 34 | 1730851 | Vale Panel - H28 STD | | | | | |
| | 1729751 | Valve Panel - H286 STD | | | | | |
| | 1729753 | Valve Panel - H286-24/36 RT | | | | | |
| | 1730951 | Valve Panel - H284 STD | | | | | |
| | 1730953 | Valve Panel - H284-24/36 RT | | | | | |
| | 2471700 | Valve Panel H289 STD | | | | | |
| | 2471800 | Valve Panel H289-24/36 RT | | | | | |
| 35 | 1730853 | Valve Panel - H28-24 | | | | | |
| | 1728551 | Front Rail 24" - H28 | | | | | |
| | 1728553 | Front Rail 35" - H286 | | | | | |
| | 1728555 | Front Rail 48" - H288 | | | | | |
| | 1728557 | Front Rail 60" - H284 | | | | | |
| | 2471600 | Front Rail 72" - H289 | | | | | |
| 36 | 1090003 | Drip Pan Large 21x25 | | | | | |
| 37 | 1090103 | Drip Tray Small 10x25 | | | | | |
| 38 | 1728803 | Pan Handle 23-9/16 H286/H284 | | | | | |
| | 1728806 | Drip Pan Handle 24-13/16 -H284 | | | | | |
| | 1728807 | Drip Pan Handle 23-13/16 - H28 | | | | | |
| 39 | 2518600 | Handle 12-13/16 H286 | | | | | |
| | 2518500 | Handle 11-1/4 - H284 | | | | | |
| 40 | 2354700 | Drip Pan Guide (Sides) | | | | | |
| | 1414700 | Drip Pan Guide | | | | | |
| 41 | 2127500 | Gas Regulator Propane 10" | | | | | |
| | 2127502 | Gas Regulator Natural 4.5" | | | | | |
| 42 | 1729601 | Front Channel 24" - H28 | | | | | |
| | 1085000 | Front Channel H286 - 36" | | | | | |
| | 1085100 | Front Channel H284 - 60" | | | | | |
| 43 | 2356800 | Burner Rest 24" - H28 | | | | | |
| | 2354500 | Burner Rest - H286 | | | | | |
| | 2354500 | Burner Rest - H284 | | | | | |
| 45 | 1084200 | Burner Rest Support | | | | | |
| 46* | 1414600 | Burner Box Back Support | | | | | |
| 47 | 1396500 | Burner Box Back 24" | | | | | |
| | 1396504 | Burner Box Back - H286 | | | | | |
| | 1396505 | Burner Box Back - H284 | | | | | |
| 48 | G03145-048 | F.D. Control Assembly | | | | | |
| 49 | 1439800 | FD Control Bracket | | | | | |
| 50 | 2202699 | Manifold -H28 | | | | | |
| | 2202799 | Manifold - H288 | | | | | |
| | 1085898 | Manifold - H286 | | | | | |
| | 1087197 | Manifold - H284 | | | | | |
| | 9002599 | Manifold - H289 | | | | | |

* NOT ILLUSTRATED

RECOMMENDED STOCK PARTS

GARLAND PARTS IDENTIFICATION

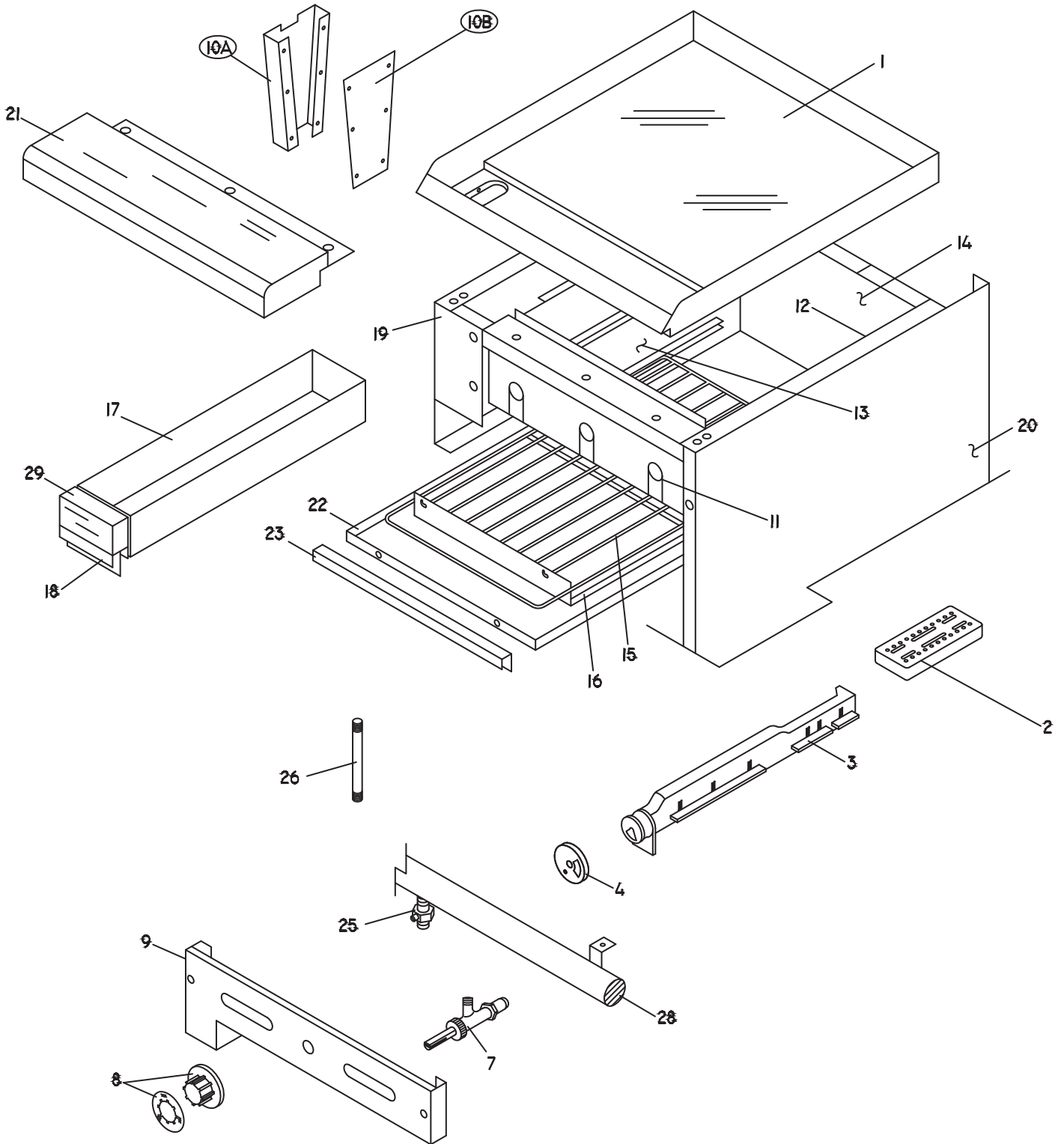
H280 Series Surface Plate Section

HP-280 Series Parts

| ITEM | PART # | DESCRIPTION | QUANTITY | | | | |
|------|-------------------------|----------------------------------|----------|-----|-----|-----|-----|
| | | | MODEL | | | | |
| | | | 12" | 24" | 36" | 48" | 60" |
| 51* | 2629200 | Bracket - Inlet Manifold | | | | | |
| 52* | 1085200 | Burner Box Front Channel Support | | | | | |
| 53* | 1439200 | Center Burner Rest Support | | | | | |

* NOT ILLUSTRATED

RECOMMENDED STOCK PARTS



H283-Raised Griddle Broiler Section.dwg

GARLAND PARTS IDENTIFICATION

Raised Griddle/Broiler Section

HP-280 Series Parts

| ITEM | PART # | DESCRIPTION | MODEL | |
|--|----------|--|----------|------|
| | | | QUANTITY | |
| | | | H283 | H285 |
| 1 | 1727596 | Griddle Assembly 24" H283 SS | 1 | |
| | 1727890 | Griddle 36" - H285 | | 1 |
| 2 | 1091000 | Ceramic Radiant | 8 | 8 |
| 3 | 1090500 | Griddle Burner | 3 | 3 |
| | 1014901 | Griddle H Burner | | 1 |
| | 1728307 | Insert Burner Box Assembly | | 1 |
| 4 | 1028002 | Air Shutter | 3 | 4 |
| 5* | 1085700 | Griddle Burner Rest | 1 | 1 |
| 6* | 1473700 | Broiler Pilot Natural - H283 | 3 | 3 |
| | 1473701 | Broiler Pilot Propane - H283 | 3 | 3 |
| | 1415300 | 2C-2 Pilot Natural | | 1 |
| | 1086000 | 2C-2 Pilot Propane | | 1 |
| 7 | 1086586 | Hi-Low Valve Natural #51F -H283 | 3 | 3 |
| | 1086581 | Hi-Low Valve Propane #56F-H283 | 3 | 3 |
| | 1086583 | Hi-Low Valve Natural #47 W/EXT | | 1 |
| | 1086579 | LP #55 W/EXT | | 1 |
| 8 | G02716-2 | Dial- (Universal) Medium shaft | 3 | 4 |
| | G02725-2 | Dial Insert (OFF/MAX/MIN) | 3 | 4 |
| 9 | 1731801 | Valve Panel H283 | 1 | |
| | 1730103 | Valve Panel Raised Grid | | 1 |
| 10A | 2404300 | Grease Chute Front H283 | 1 | |
| | 2681600 | Grease Chute Front | | 1 |
| 10B | 2404400 | Grease Chute Back | 1 | |
| | 2681700 | Grease Chute Back | | 1 |
| Note: Grease chute not available as a complete assembly. Both the grease chute front and rear components would be required, for a complete chute assembly. | | | | |
| 11 | 1414901 | Broiler Valve Shield | 1 | 1 |
| 12 | 1081999 | Griddle Right Side Liner Assembly | 1 | 1 |
| 13 | 1081997 | Broiler Left Side Liner - H283 | 1 | 1 |
| 14 | 1511200 | Griddle Back Lining | 1 | 1 |
| 15 | 1090600 | Broil Rack Chrome | 1 | 1 |
| 16 | 1090797 | Broiler Rack Dip Shield | 1 | 1 |
| 17 | 1729501 | Grease Drawer 283 | 1 | |
| | 2354699 | Grease Drawer Assembly | | 1 |
| 18 | 1728802 | Grease Drawer Handle | 1 | |
| 19 | 1084704 | Broiler Box Left Side | 1 | 1 |
| 20 | 1605003 | Broiler Box Right Side | 1 | 1 |
| 21 | 1728602 | Front Rail H283 | 1 | |
| | 1728603 | Front Rail 285 RGB | | 1 |
| | 1728503 | Front Rail 36" - H283 | | |
| | 1728501 | Front Rail 24" - H285 | | |
| 22 | 1728810 | Drip Pan H283/285 | 1 | 1 |
| 23 | 1728809 | Drip Pan Handle - H283 | 1 | 1 |
| 24* | 1281998 | Griddle Front Splash Assembly 24" | 1 | |
| | 12181997 | Griddle Front Splash Assembly 36" | | 1 |

* NOT ILLUSTRATED

RECOMMENDED STOCK PARTS

GARLAND PARTS IDENTIFICATION

Raised Griddle/Broiler Section

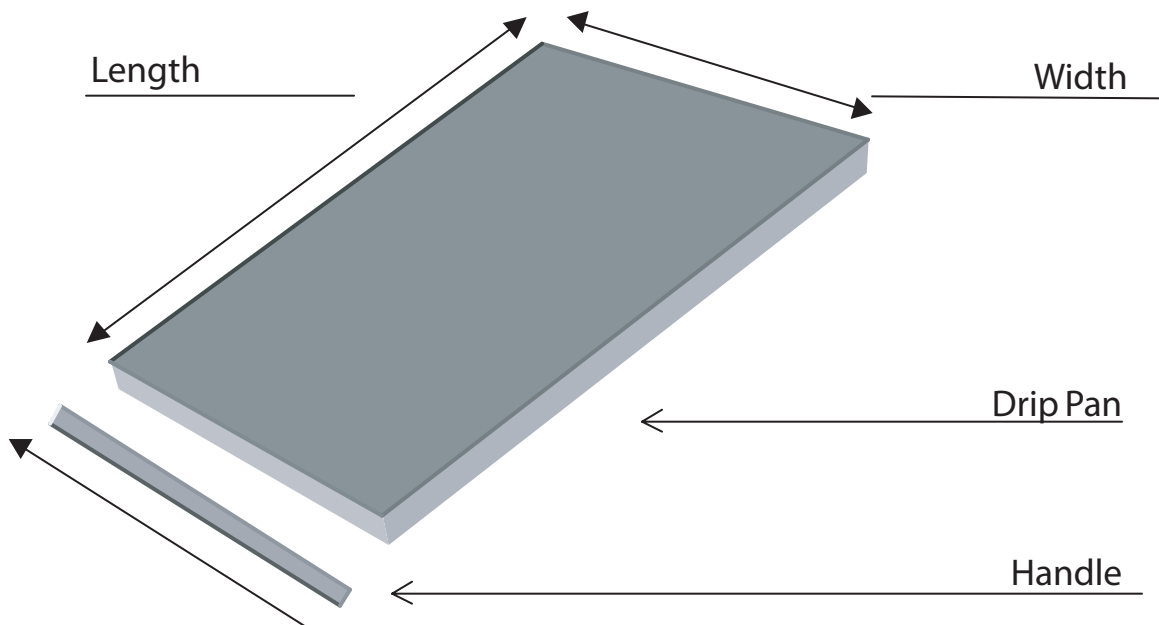
HP-280 Series Parts

| ITEM | PART # | DESCRIPTION | MODEL | |
|------|-------------------------|------------------------------|----------|------|
| | | | QUANTITY | |
| | | | H283 | H285 |
| 25 | 1086597 | 3/16 Pilot Adjusting Valve | 3 | 4 |
| 26 | 1208304 | 3/16 Aluminum Tubing 4.500" | 3 | 3 |
| 27* | 1415100 | Broiler Pilot Bracket - H283 | 3 | 3 |
| 28 | 2202999 | Manifold Assembly Flame | 1 | |
| | 2202899 | Manifold Assembly Flame | | 1 |
| 29 | 2363300 | Handle Griddle Drawer F/H283 | 1 | |
| | 2355801 | Grease Drawer Handle | | 1 |
| 30* | 1473701 | Broiler Pilot Propane-H283 | | |

* NOT ILLUSTRATED

RECOMMENDED STOCK PARTS

H280 Drip Pans and Handles



The most accurate way to determine the right drip pan and drip pan handle is to get the dimensions from the customer. In this list we have provided all the part numbers and dimensions of the pans and handles.

Drip Pans

| | |
|-------------------------|-------------------|
| 1090003 | 25 1/2" x 21 3/4" |
| 1090103 | 25 1/2" x 10" |
| 1728810 | 25 1/2" x 20 1/4" |

Drip Pan Handle

| | |
|---|-------------------------|
| 1728807 | 23 13/16" |
| 1728806 | 24 3/16" |
| 1728823 | 29 5/8" |
| 1728803 | 23 9/16" |
| 2518500 | 11 1/4" |
| 1728809 | 21" |
| 2518600 | 12 3/16" |
| Fake Handle (no drip pan, just a cover) | 1728808 |

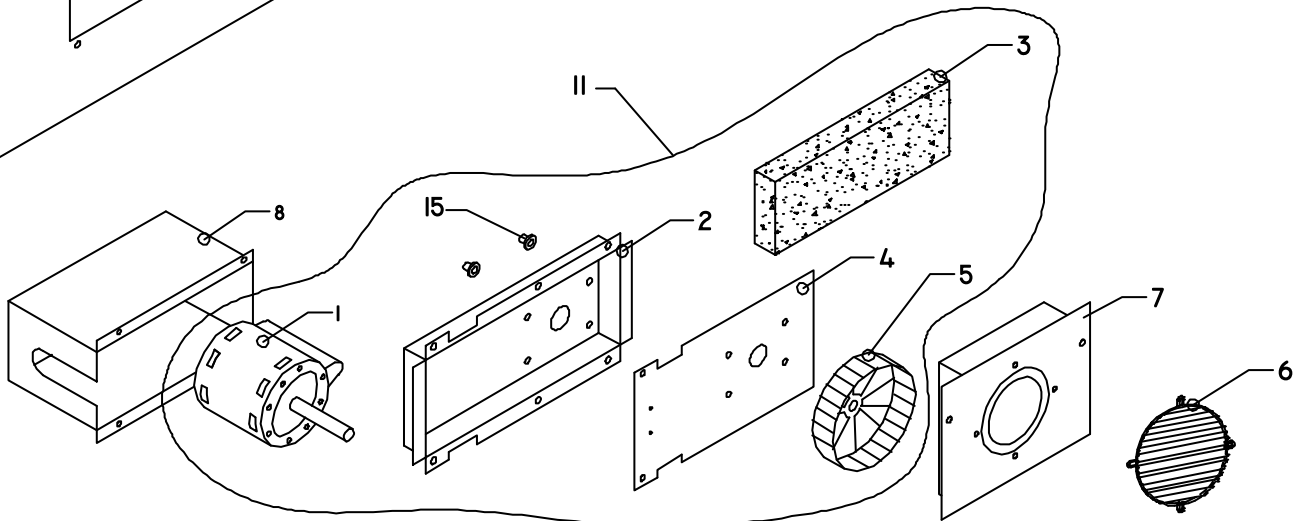
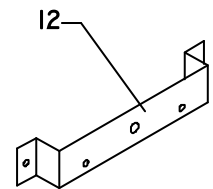
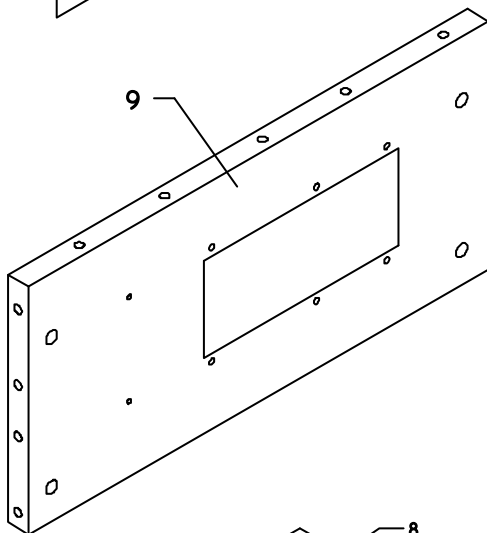
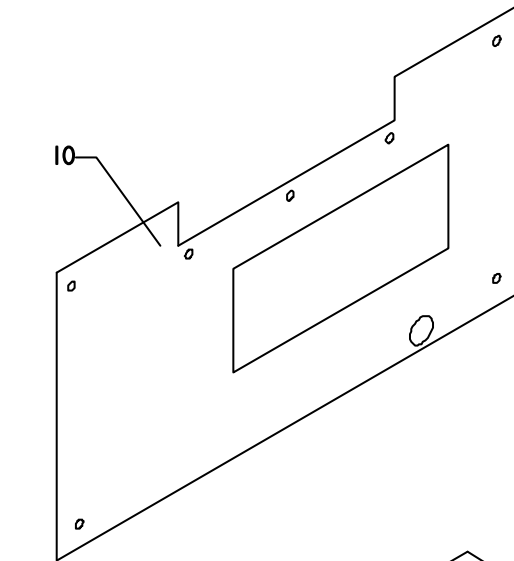
Please note that in the H280 series we used only Stainless Steel drip pan handles

H280 CONVECTION OVEN MOTOR FROM SERIAL # 9904GR54R TO SERIAL # 0204RG121R

| ITEM | PART # | DESCRIPTION |
|------|------------|---|
| 1 | 2485801 | Motor 115V 1/3 hp |
| | 2485800 | Motor 209.240V. 1/3 hp |
| 2 | 2396600 | Motor Mount Pocket |
| 3 | 1669101 | Pocket Insulation Board |
| 4 | 2396700 | Motor Mounting Plate |
| 5 | G02952-01P | Blower Wheel |
| 6 | 2520100 | Fan Protector Screen |
| 7 | 2395999 | Air Baffle Assembly |
| 8 | 2519799 | Motor Guard Assembly |
| 9 | 2396800 | Casing Back |
| 10 | 2397000 | Main Back RC |
| 11 | CK2485801 | Fan Motor Assembly 115 Volts Included Item# 1, 2, 3, 4, 5, 15 |
| 12 | 1361298 | Air Baffle Support Assembly (Qty of 2 per Oven) |
| 13* | F542 | Washer #10 Padded Aluminum (Qty of 2 Required For Mounting Air Baffle Assembly) |
| 14* | F543 | #10-24 S/S Wing Screw (Qty. of 2 Required for Mounting Air Baffle Assembly) |
| 15 | G01503-3 | Weldnut 1/4-20 (Qty. 8) |

* NOT ILLUSTRATED

RECOMMENDED STOCK PARTS



H280.dwg

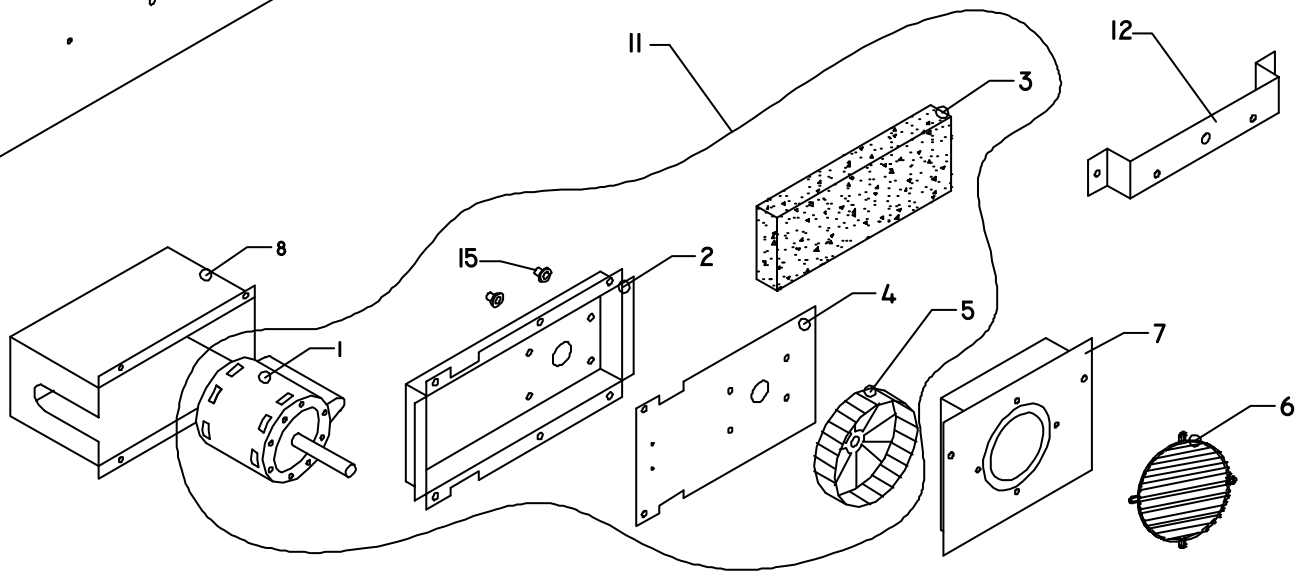
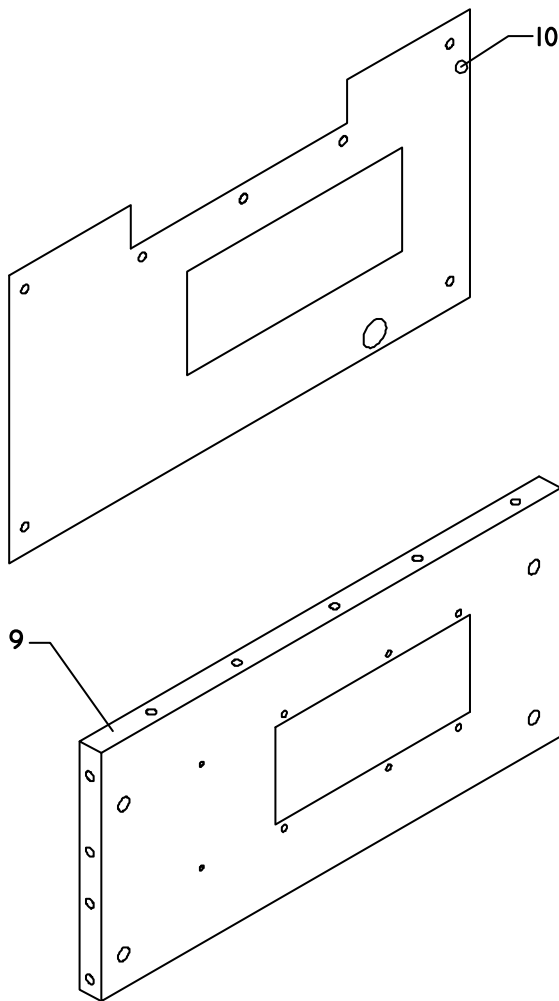
H280 CONVECTION OVEN MOTOR SECTION USED FROM SERIAL NUMBER
0204RG121R, FROM APRIL 1, 2002

| ITEM | PART # | DESCRIPTION |
|------|------------|--|
| 1 | 2485801 | Motor 115V 1/3 hp |
| | 2485800 | Motor 209.240V. 1/3 hp |
| 2 | 3013301 | Motor Mount Pocket |
| 3 | 1669101 | Pocket Insulation Board |
| 4 | 30130401 | Motor Mounting Plate |
| 5 | G02952-01P | Blower Wheel |
| 6 | 2520100 | Fan Protector Screen |
| 7 | 2395999 | Air Baffle Assembly |
| 8 | 2519799 | Motor Guard Assembly |
| 9 | 3019601 | Casing Back |
| 10 | 3013900 | Main Back RC |
| 11 | 4515043 | New Style Motor Kit 115 Volts (Used From April 1, 2002 After Serial # 0204RG121R) Kit Includes Item# 1, 2, 3, 4, 5, 15 |
| 12 | 1361298 | Air Baffle Support Assembly (Qty of 2 per Oven) |
| 13* | F542 | Washer #10 Padded Aluminum (Qty of 2 Required For Mounting Air Baffle Assembly) |
| 14* | F543 | #10-24 S/S Wing Screw (Qty. of 2 Required for Mounting Air Baffle Assembly) |
| 15 | G01503-3 | Weldnut 1/4-20 (Qty. 8) |

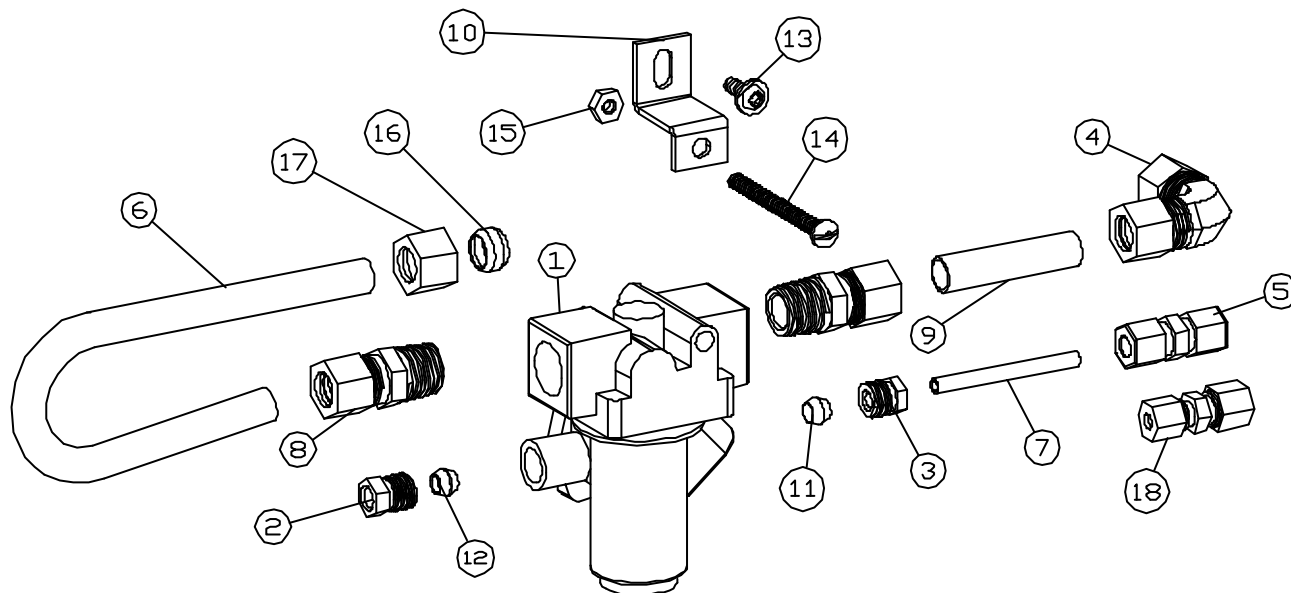
* NOT ILLUSTRATED

RECOMMENDED STOCK PARTS

Please Note: This kit is not interchangeable with the old kit and will not install into equipment manufactured before serial number 0204RG121R, or date of April 1, 2002



H280.dwg



GARLAND IDENTIFICATION

H280 Series Ranges

Baso Valve

| ITEM | PART # | DESCRIPTION | QTY |
|------|-----------|--|-----|
| 1 | 1415703 | Hi Temp Safety Baso Valve | 1 |
| 2 | M225 | 1/4 Tube Comp Nut | 1 |
| 3 | M231 | 3/16 Tube Comp Nut | 1 |
| 4 | 1313800 | 7/16cc x 7/16cc 90 Deg Elbow | 1 |
| 5 | 076050-89 | 3/16cc x 3/16cc Comp Union | 1 |
| 6 | 4518708 | 7/16 Tubing Safety Valve To Oven Orifice | 1 |
| 7 | 4518716 | 3/16 Tubing Comp Union To Safety Valve Inlet | 1 |
| 8 | 1095499 | 7/16cc x 3/8 NPT Straight Connector | 1 |
| 9 | 4518715 | 7/16 Tubing Elbow to Straight Connector | 1 |
| 10 | 1391500 | Safety Valve Bracket | 1 |
| 11 | M126 | 3/16 Tubing Ferrule | 1 |
| 12 | M124 | 1/4 Tubing Ferrule | 1 |
| 13 | F60 | #10A x 5/8 Sheetmetal Screw | 1 |
| 14 | F16 | #10-24 x 2.5 RD HD Machine Screw | 1 |
| 15 | F312 | #10-24 Locknut | 1 |
| 16 | M122 | 7/16 Tubing Ferrule | 1 |
| 17 | M123 | 7/16 Comp Nut | 1 |
| 18 | G62R-43 | 1/4cc x 16cc Comp Union | 1 |
| ^ | 4518689 | Include All Item Numbers 1 through 18 | |

^ NOT ILLUSTRATED

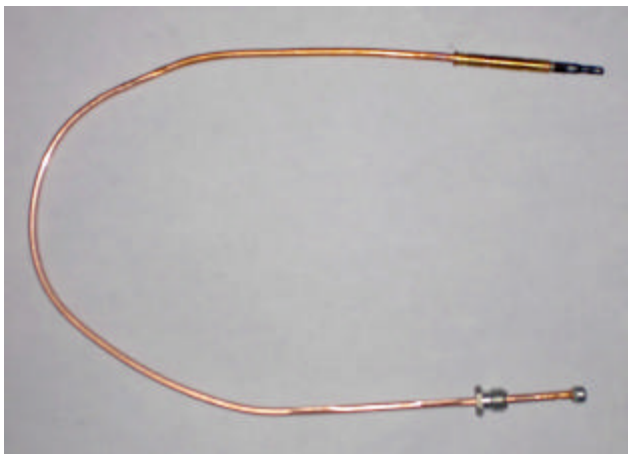
RECOMMENDED STOCK PARTS



G01479-01 TS11J Safety Valve
(Page 32 Item 37A)



1415703 High Temp Baso Valve
(Page 32 Item 37C)

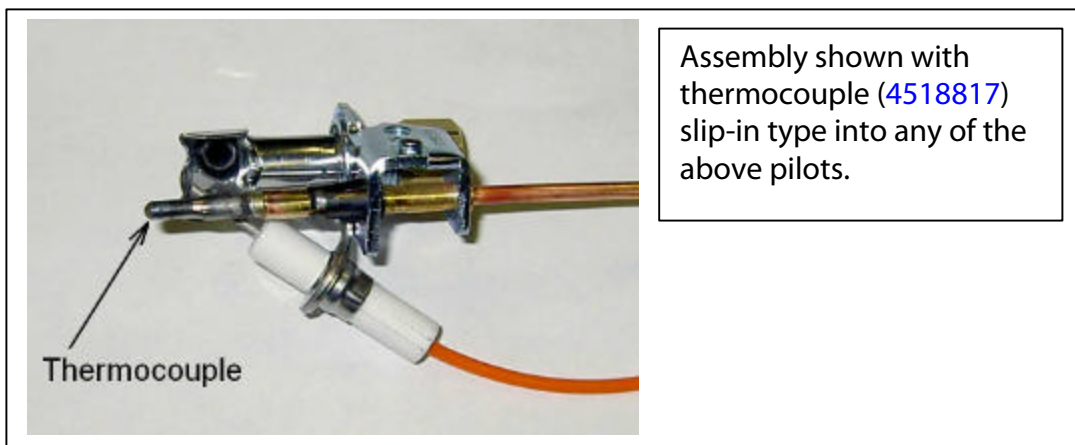
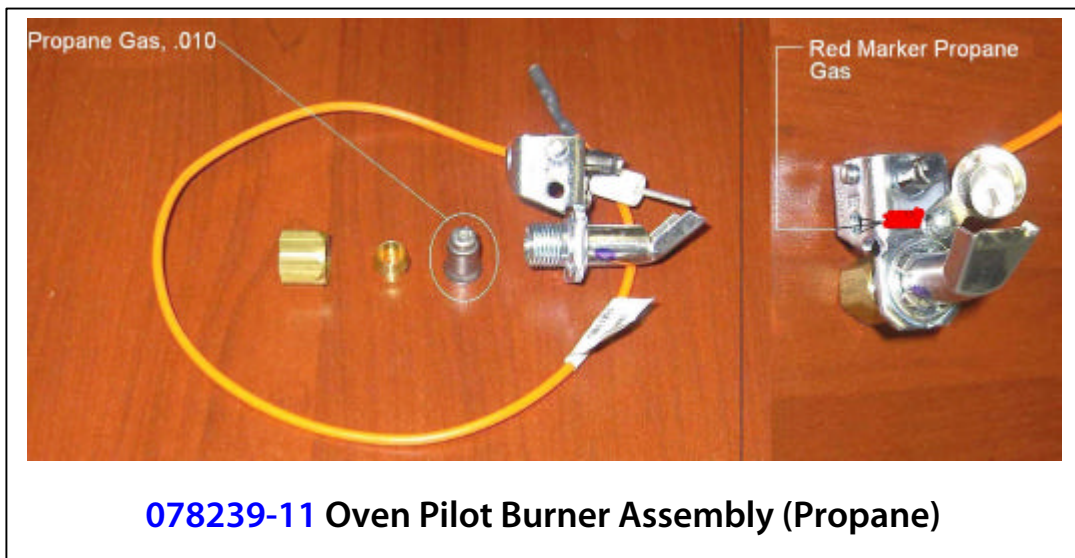
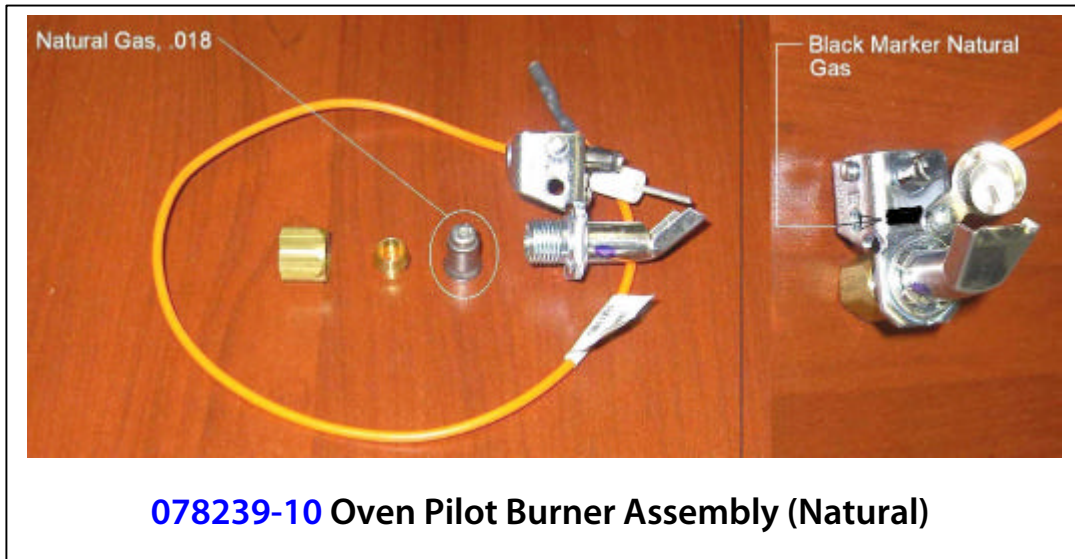


4518817 Thermocouple 18" Long
(Slip-in Type) Used with TS11 & Baso
Valve
(Page 32 Item 37D)
(Page 9 Item 3)

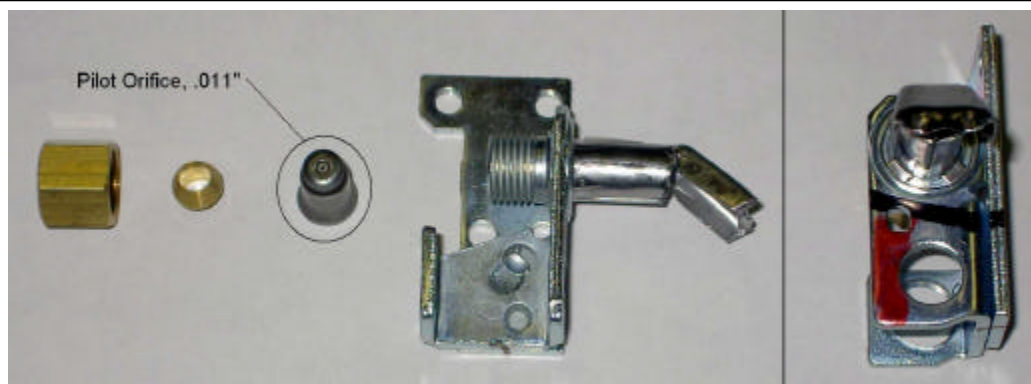


4519723 S/S Adjustable Leg (Opt)

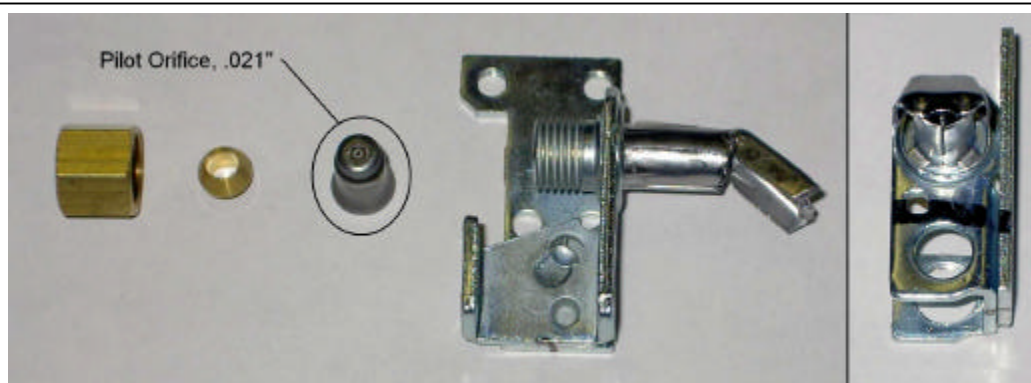
Convection Oven Pilot Burners



Standard Oven Pilot Burners



1028298 Oven Pilot Burner Assembly (Propane)
Black & Red Marker Indicates Propane Gas

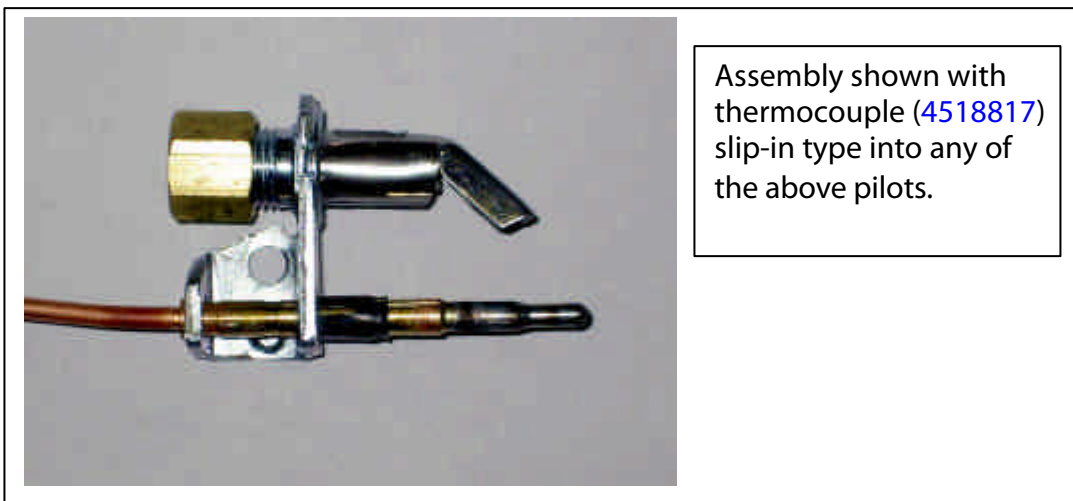


1028299 Oven Pilot Burner Assembly (Natural)
Black Marker Indicates Natural Gas



Assembly shown with
thermocouple (1019418)
screw-in type into any of
the above pilots.

Standard Oven Pilot Burners



GARLAND PARTS IDENTIFICATION

Revision History

| REV. # | PAGE # | ITEM # | NOTE | DATE |
|------------|----------|-----------------------------|--|-----------|
| 16 | 5 | 2,3 | Photo At The End Footnote Added | Apr 27/05 |
| | 9 | 2A | New Part # – Error In Manual – Was 078239-4 & -5 | |
| | | 3 | Error in Manual – Was 1019418 | |
| | 30 | | New Drawing | |
| | 31 | 16A | Error In Manual – New Part Numbers Added | |
| | | 17 | New Part Number Added | |
| 47, 48, 49 | | New Photos | | |
| 17 | 10 | 45 | Description Changed | Jun 28/05 |
| | 33 | 5 | | |
| 18 | 5 | 3 | Part # 1415000 replaced by 4518817 – Totally interchangeable | Jul 29/05 |
| | 9 | | | |
| | 30 | | New Drawing | |
| | 31 | 17 | Removed – Was Duplicate | |
| | 32 | 24 | Asterisk Added | |
| | | 29 | Asterisk Removed | |
| | | 37B | Part# 1415000 Deleted – Replaced by 4518817 | |
| | 33 | 3 | Totally Interchangeable | |
| | | 43 | Asterisk Removed | |
| 45, 47, 49 | | Photos updated | | |
| 19 | 34 | 7 Thru 10 | Updated Drawing | Aug 26/05 |
| | 35 | | Item Numbers Changed | |
| 20 | 49 | 19 | Part Number M8-43 Replaced by M8-42 | Jan 03/05 |
| 21 | 31 | 13A | Part Number 4519432 & 4519433 Added | Feb 27/06 |
| | 31,32,33 | | Entire Table Reformatted | |
| | 32 | 28 | Items 1589100 & 1589101 Added omitted in error | |
| 38A | | Item Added Omitted in error | | |
| 22 | 42 | | New Drawing | Apr 3/08 |
| | 43 | | | |
| | 33 | 5, 6 | Description Changed | |
| 8 | | New Part Number Added | | |
| 23 | 38 | | New Drawing – Item 10A & 10B | Jul 07/08 |
| | 39 | 10A, 10B | Letters A & B Added on the Item Number – Note Added Under Description | |
| 24 | 8,30 | | New Drawing | Aug 01/08 |
| | 10 | 65 | New Part Number Added | |
| | | | Critical Column Added | |
| | 33 | 17 | New Part Number Added | |

NOTES

 **Garland**[®]