

VULCAN

CATALOG OF REPLACEMENT PARTS

GAS AND ELECTRIC TILTING BRAISING PAN

MODELS

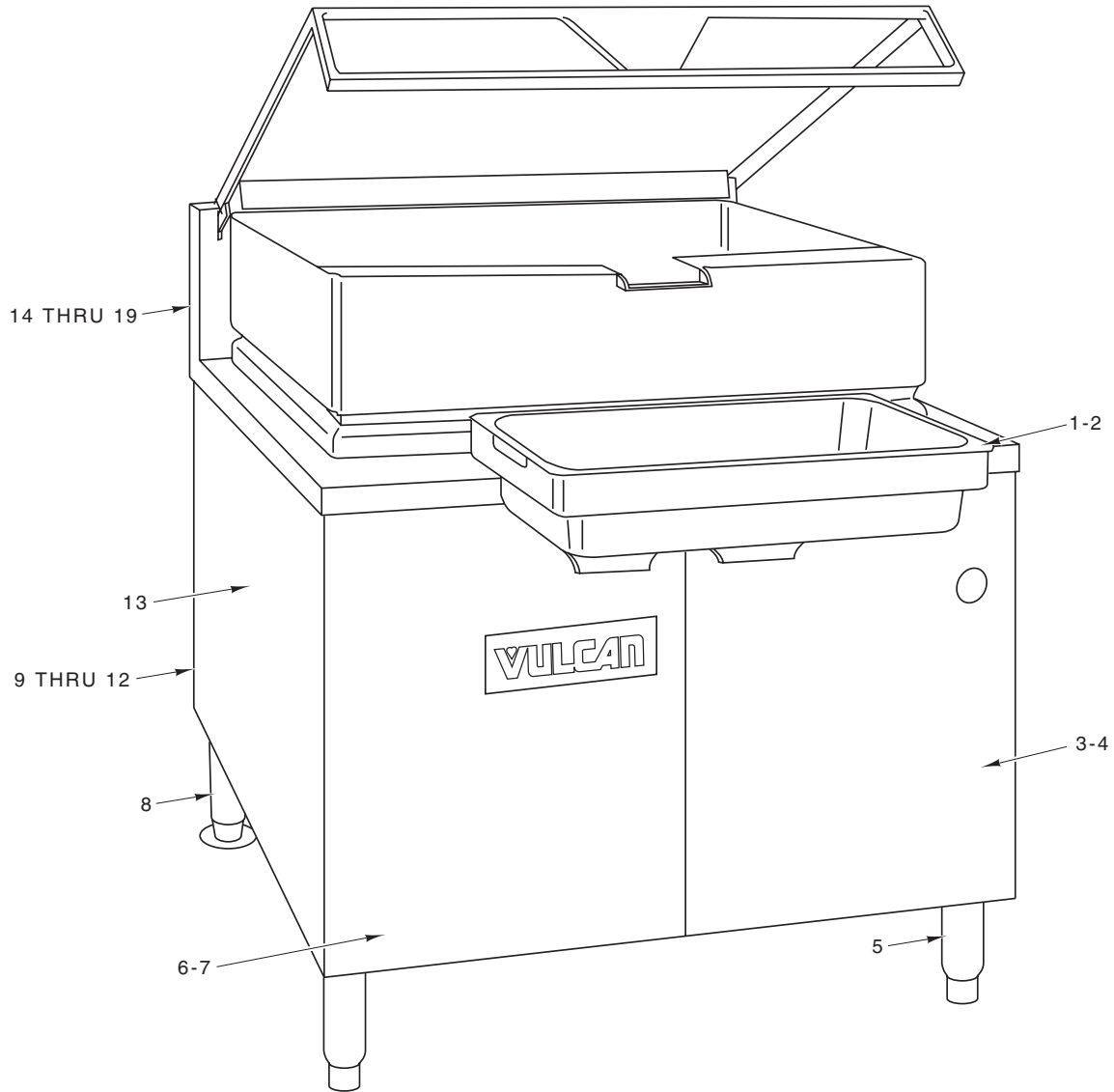
<i>G-30-O</i>	<i>ML-52701</i>
<i>G-30-C</i>	<i>ML-52702</i>
<i>E-30-O</i>	<i>ML-52703</i>
<i>E-30-C</i>	<i>ML-52704</i>
<i>G-40-O</i>	<i>ML-52705</i>
<i>G-40-C</i>	<i>ML-52706</i>
<i>E-40-O</i>	<i>ML-52707</i>
<i>E-40-C</i>	<i>ML-52708</i>



For additional information on Vulcan-Hart Company or to locate an authorized parts and service provider in your area, visit our website at www.vulcanhart.com

Table of Contents

Page	Description
5	Cabinet - Closed Base
7	Cabinet - Open Base
9	Lid Assembly
11	Gas Heat (Standing Pilot)
12	Gas Heat (Electronic Ignition) (For Units Before S/N 271079585)
13	Gas Heat (Electronic Ignition) (For Units Starting with S/N 271079585)
15	Electric Heat
17	Thermostat Temperature Control
19	Solid State Temperature Control (Option)
21	Power Lift
22	Manual Lift (Previous Construction)
25	Manual Lift (Current Construction)
27	Electric Timer (Option)
29	Spray Hose with Faucet (Option)
31	Articulated Pan Holder (Option)
32	Other Options

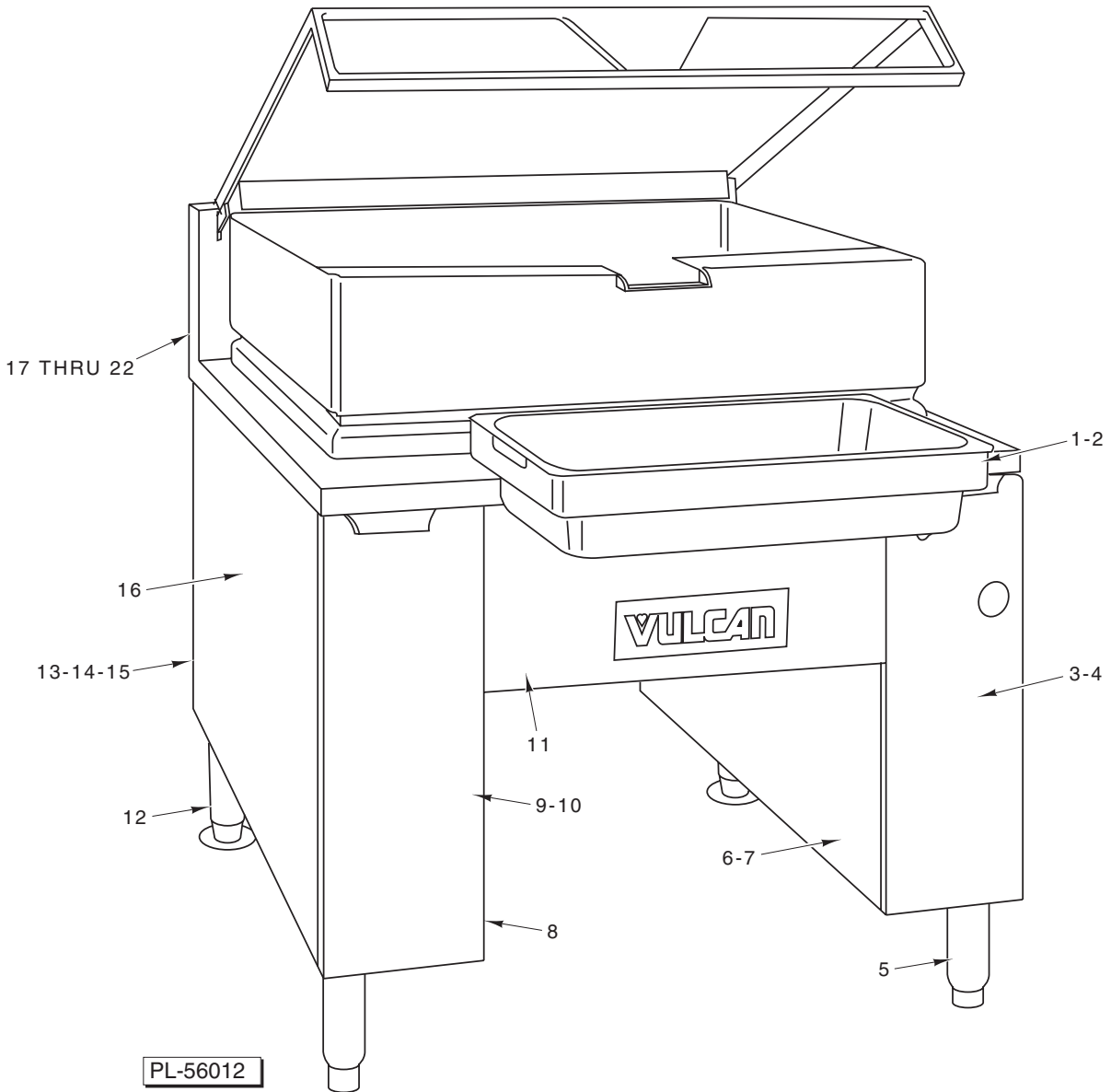


PL-56011

CABINET - CLOSED BASE

CABINET - CLOSED BASE

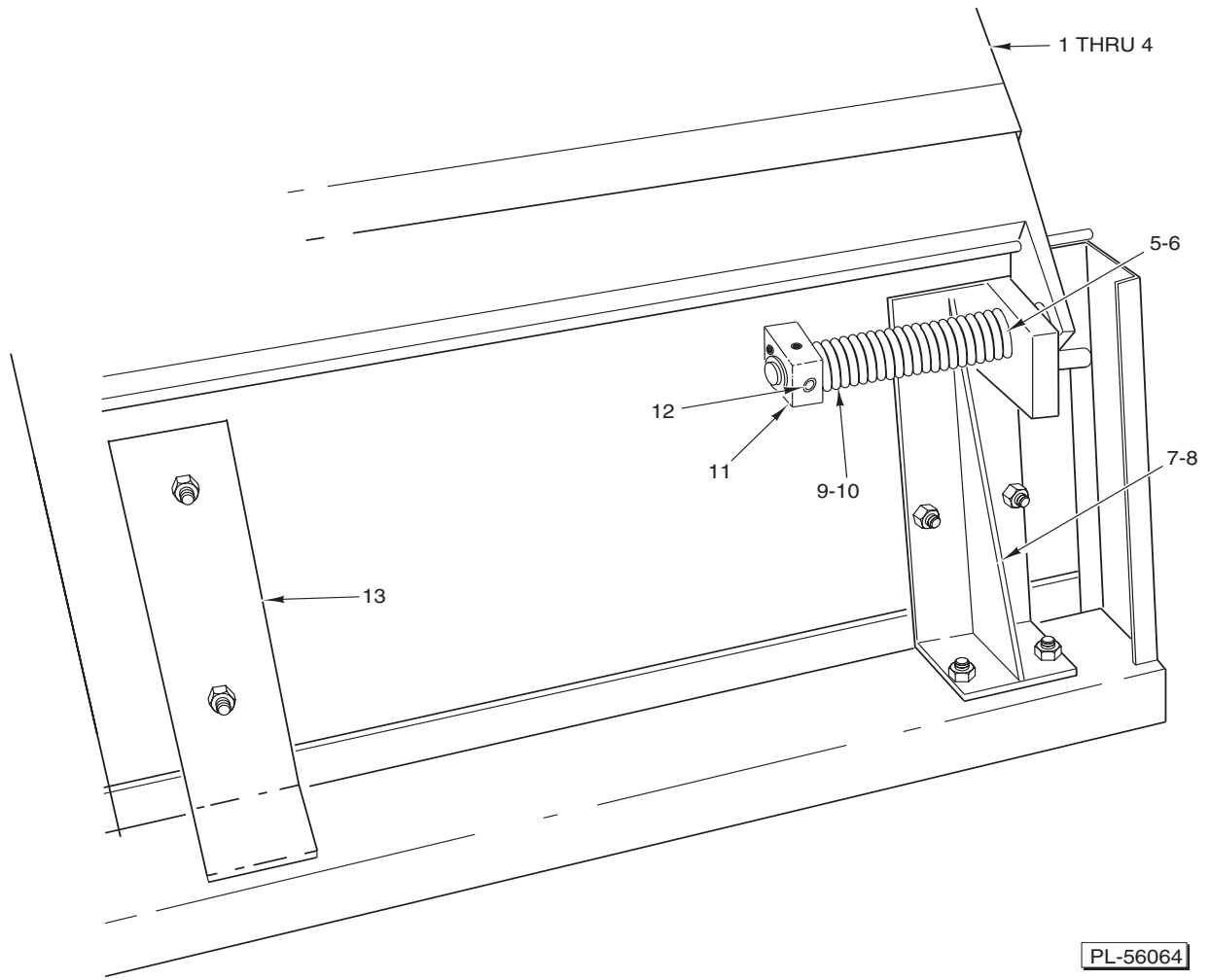
ILLUS. PL-56011	PART NO.	NAME OF PART	AMT.
1	00-812276-00001	Pan Rack Assy. (Stationary) (23 & 30 Gallon)	1
2	00-821176-00002	Pan Rack Assy. (Stationary) (40 Gallon)	1
3	00-840191-00002	Door Assy. (RH) (23 & 30 Gallon)	1
4	00-840347-00002	Door Assy. (RH) (40 Gallon)	1
5	00-881525	Leg 6 In. Bullet Foot	2
6	00-840437-00001	Door Assy. (LH) (23 & 30 Gallon)	1
7	00-840344-00001	Door Assy. (LH) (40 Gallon)	1
8	00-881526	Leg 6 In. Flanged Foot	2
9	00-881537-00011	Panel - Rear (Alum.) (23 & 30 Gallon)	1
10	00-840326-00011	Panel - Rear (Alum.) (40 Gallon)	1
11	00-881537-00012	Panel - Rear (SST) (23 & 30 Gallon)	1
12	00-840326-00012	Panel - Rear (SST) (40 Gallon)	1
13	00-881536	Side Panel	2
14	00-840149-00001	Shroud - Gas Heat Units (23 Gallon)	1
15	00-821273	Shroud - Gas Heat Units (30 Gallon)	1
16	00-840332-00001	Shroud - Gas Heat Units (40 Gallon)	1
17	00-840027	Shroud - Electric Heat Units (23 Gallon)	1
18	00-840266	Shroud - Electric Heat Units (30 Gallon)	1
19	00-840334	Shroud - Electric Heat Units (40 Gallon)	1
	00-881540-00001	Hinge - Bottom (RH)	1
	00-881540-00002	Hinge - Bottom (LH)	1
	00-817797	Bracket - Magnetic Latch	AR
	00-881761	Catch - Magnetic	AR
	00-821134-00002	Pan Bearing Assy. (LH)	1
	00-821134-00001	Pan Bearing Assy. (RH)	1



CABINET - OPEN BASE

CABINET - OPEN BASE

ILLUS. PL-56012	PART NO.	NAME OF PART	AMT.
1	00-821176-00001	Pan Rack Assy. (Stationary) (23 & 30 Gallon)	1
2	00-821176-00002	Pan Rack Assy. (Stationary) (40 Gallon)	1
3	00-840382-00001	Door Assy. (RH) (23 & 30 Gallon)	1
4	00-840404-00001	Door Assy. (RH) (40 Gallon)	1
5	00-881525	Leg 6 In. Bullet Foot	2
6	00-821160-00001	Panel – Inner (RH & LH, Auto Lift)	2
7	00-821160-00001	Panel – Inner (LH, Manual Lift)	1
8	00-821162	Panel – Inner (RH, Manual Lift)	1
9	00-840385-00001	Door Assy. (LH) (23 & 30 Gallon)	1
10	00-840409-00001	Door Assy. (LH) (40 Gallon)	1
11	00-840381-00001	Door Assy. Center	1
12	00-881526	Leg 6 In. Flanged Foot	2
13	00-840200-00011	Panel – Rear (Alum.)	2
14	00-840200-00012	Panel – Rear (SST) (23 & 30 Gallon)	2
15	00-840403-00012	Panel – Rear (SST) (40 Gallon)	2
16	00-881536	Side Panel	2
17	00-840149-00001	Shroud – Gas Heat Units (23 Gallon)	1
18	00-821273	Shroud – Gas Heat Units (30 Gallon)	1
19	00-840332-00001	Shroud – Gas Heat Units (40 Gallon)	1
20	00-840027	Shroud – Electric Heat Units (23 Gallon)	1
21	00-840266	Shroud – Electric Heat Units (30 Gallon)	1
22	00-840334	Shroud – Electric Heat Units (40 Gallon)	1
	00-821134-00002	Pan Bearing Assy. (LH)	1
	00-821134-00001	Pan Bearing Assy. (RH)	1
	00-842032-00011	Hinge – Bottom	1
	00-817797	Bracket – Magnetic Latch	AR
	00-881761	Catch – Magnetic	AR



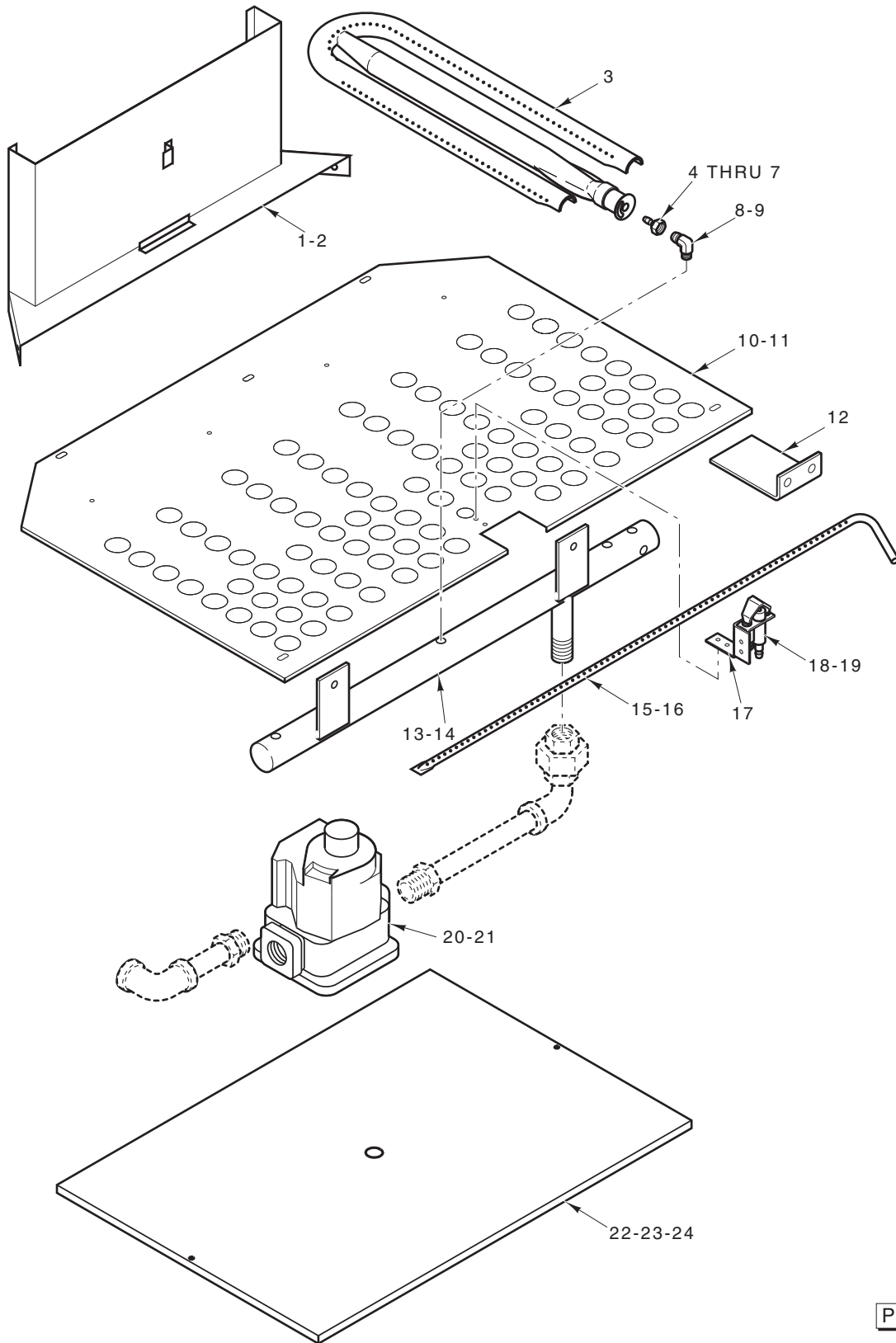
PL-56064

LID ASSEMBLY

LID ASSEMBLY

ILLUS.	PART NO.	NAME OF PART	AMT.
PL-56064			
1	00-821281	Lid Assy. W/O Vent (30 Gallon)	1
2	00-821269	Lid Assy. W/O Vent (40 Gallon)	1
3	00-358002	Lid Assy. W/Vent (30 Gallon)	1
4	00-358002-00002	Lid Assy. W/Vent (40 Gallon)	1
5	00-840012-00011	Spring – Lid Torsion RH (23 & 30 Gallon)	1
6	00-840012-00012	Spring – Lid Torsion LH (23 & 30 Gallon)	1
7	00-821134-00001	Lid Support Assy. RH (30 & 40 Gallon)	1
8	00-821264-00002	Lid Support Assy. LH (30 & 40 Gallon)	1
9	00-840014	Mandrel – Lid Spring (23 & 30 Gallon)	1
10	00-840340	Mandrel – Lid Spring (40 Gallon)	1
11	00-840013	Lever – Spring Tension	1
12	SC-047-08	Set Screw 1/4-20 x 1/4 Soc. Hdls., Cup Pt.	3
13	00-821296	Bracket – Shroud Support (Electric Heat) (30 & 40 Gallon)	1
	00-120054-00002	Knob – Vent	1
	00-358005	Spring – Vent Cover	1
	WS-022-06	Washer (SST) (Use with 358005)	4
	NS-025-04	Crown Nut 1/4-20 (SST)(Use with 358005)	1
	00-358004-00001	Cover – Vent Weldment	1

GAS AND ELECTRIC TILTING BRAISING PAN REPLACEMENT PARTS



PL-56558

**GAS HEAT
(STANDING PILOT)**

**GAS HEAT
(STANDING PILOT)**

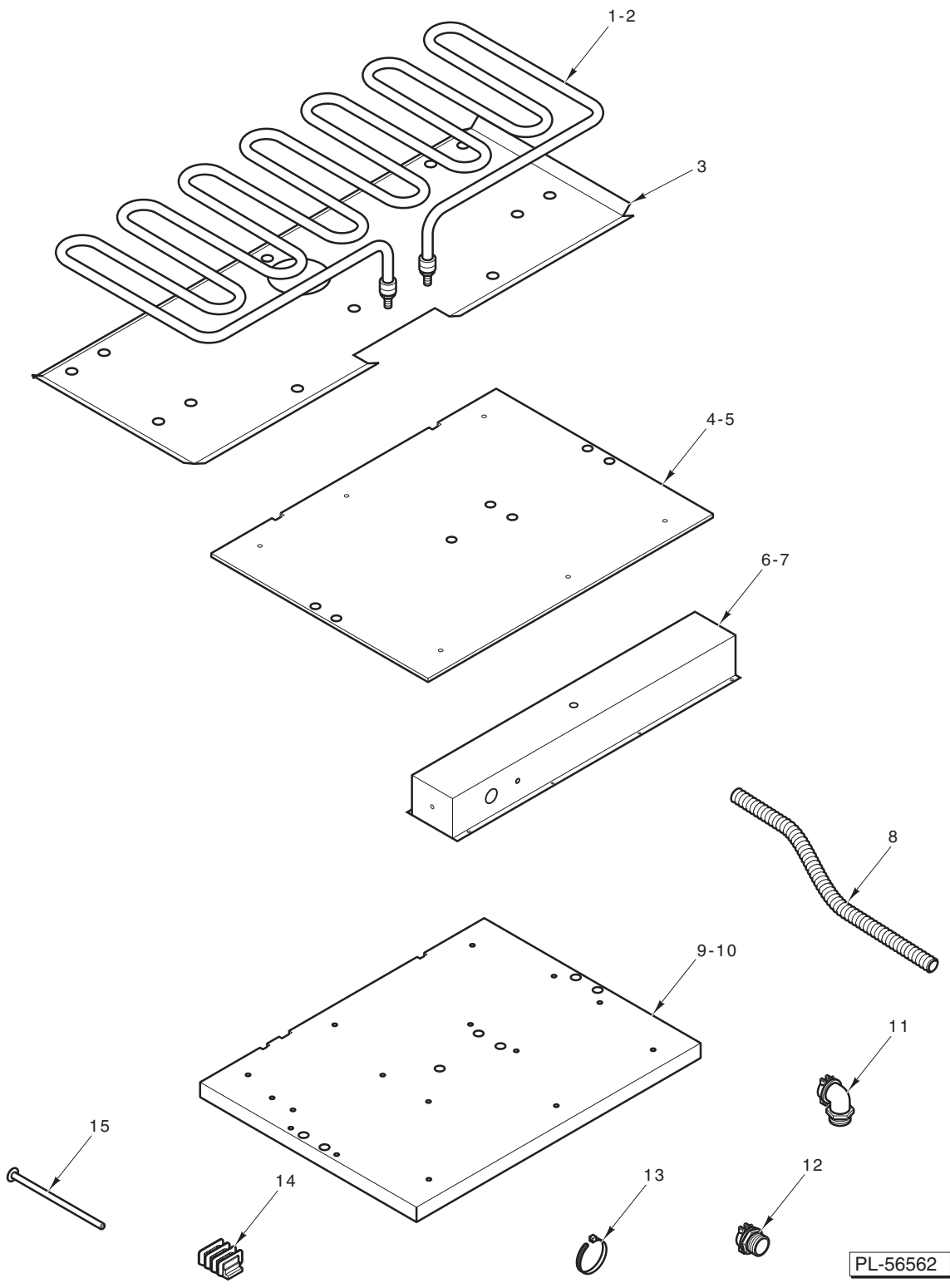
ILLUS. PL-56558	PART NO.	NAME OF PART	AMT.
1	00-821228	Flue Duct Assy. (23 & 30 Gallon)	1
2	00-821227	Flue Duct Assy. (40 Gallon)	1
3	00-840144	Burner & Air Shuttle Assy.	AR
4	00-840096-00011	Burner Fitting With Hood (Natural Gas) (23 Gallon)	AR
5	00-840096-00020	Burner Fitting With Hood (Natural Gas) (30 & 40 Gallon)	AR
6	00-840096-00012	Burner Fitting With Hood (Propane Gas) (23 Gallon)	AR
7	00-840096-00022	Burner Fitting With Hood (Propane Gas) (30 & 40 Gallon)	AR
8	00-920186-00014	Fitting – Runner Burner Orifice (Natural Gas)	1
9	00-920186-00012	Fitting – Runner Burner Orifice (Propane Gas)	1
10	00-844406-00001	Air Baffle – Secondary (23 & 30 Gallon)	1
11	00-844407-00001	Air Baffle – Secondary (40 Gallon)	1
12	00-840176	Guard – Pilot Flame	1
13	00-840098	Manifold (30 Gallon)	1
14	00-840308	Manifold (40 Gallon)	1
15	00-840095-00001	Runner Burner Weldment (23 & 30 Gallon)	1
16	00-840309-00001	Runner Burner Weldment (40 Gallon)	1
17	00-840125	Bracket – Pilot Mounting	1
18	00-840127-00011	Pilot (Natural Gas)	1
19	00-840127-00012	Pilot (Propane Gas)	1
20	00-840126-00011	Valve – Combination (Natural Gas)	1
21	00-840126-00012	Valve – Combination (Propane Gas)	1
22	00-840009	Shield – Heat (Closed Frame Units)	1
23	00-840283	Shield – Heat (Open Frame Units) (23 & 30 Gallon)	1
24	00-840413	Shield – Heat (Open Frame Units) (40 Gallon)	1
	00-840103	Flue Duct – Rear (23 & 30 Gallon)	1
	00-840317	Flue Duct – Rear (40 Gallon)	1
	00-840099	Tube – Runner Burner Supply	1
	00-840128	Tube – Pilot Supply	1
	00-920040	Thermocouple (23 & 30 Gallon)	1
	00-880828	Thermocouple (40 Gallon)	1
	15-03-011	Ground Lug	1
	00-821301	Interlock Switch Actuator	1
	00-997487	Switch – Interlock (Microswitch) (23 & 30 Gallon)	1
	PC-006-29	Cotter Pin	1
	00-840313	Support – Flue Collector (40 Gallon)	1

**GAS HEAT (ELECTRONIC IGNITION)
(FOR UNITS BEFORE S/N 271079585)**

ILLUS.	PART NO.	NAME OF PART	AMT.
1	00-821075	Transformer	1
2	00-821076	Harness – Wiring	1
3	00-821077	Sensor – Flame	1
4	00-821078	Module – Spark	1
5	00-821079	Switch – Rocker – (24 V.)	1
6	00-821089-00001	Orifice – Pilot (NAT)	1
7	00-821089-00002	Orifice – Pilot (PRO)	1
8	00-821089-00003	Orifice – Body (W/Electrode)	1
9	00-821080	Valve – Gas (NAT)	1
10	00-821080-00001	Valve – Gas (PRO)	1
11	00-817349	Light Amber (24 V.)	1

**GAS HEAT (ELECTRONIC IGNITION)
(FOR UNITS STARTING WITH S/N 271079585)**

ILLUS.	PART NO.	NAME OF PART	AMT.
1	00-844133-00003	Valve – Gas (NAT) (5 In. W.C.)	1
2	00-844133-00002	Valve – Gas (PRO) (10 In. W.C.)	1
3	00-417980-00001	Module Ignition – Control	1
4	00-844130-00002	Burner Cable Pilot (36 In. Lg.)	1
5	00-844129-00001	Pilot Body W/Natural Gas Orifice	1
6	00-844129-00002	Pilot Body W/Propane Gas Orifice	1
7	00-854894-00001	Valve – Splash Sheild	1
8	SD-026-09	Self-Tapping Screw, 10-16 X 1/2 Phil. Truss Hd., Type AB	2
9	FP-059-10	Pipe 1/2 X 3	1
10	FP-026-20	Reducing Bushing 3/4 X 1/2 NPT	2
11	00-851166	Bushing – Pilot Mounting	1
12	FE-024-04	Bushing – Electric Snap	1

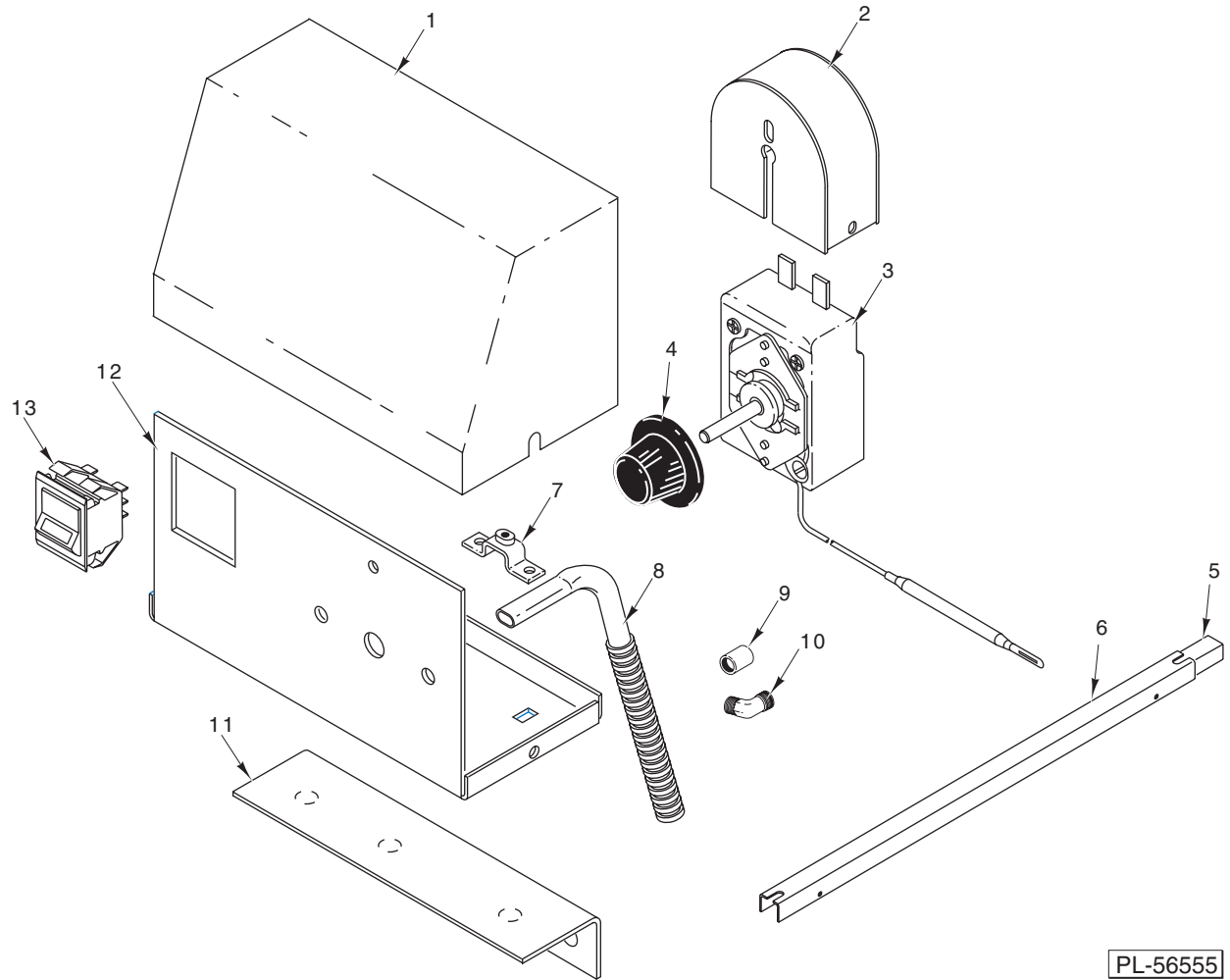


PL-56562

ELECTRIC HEAT

ELECTRIC HEAT

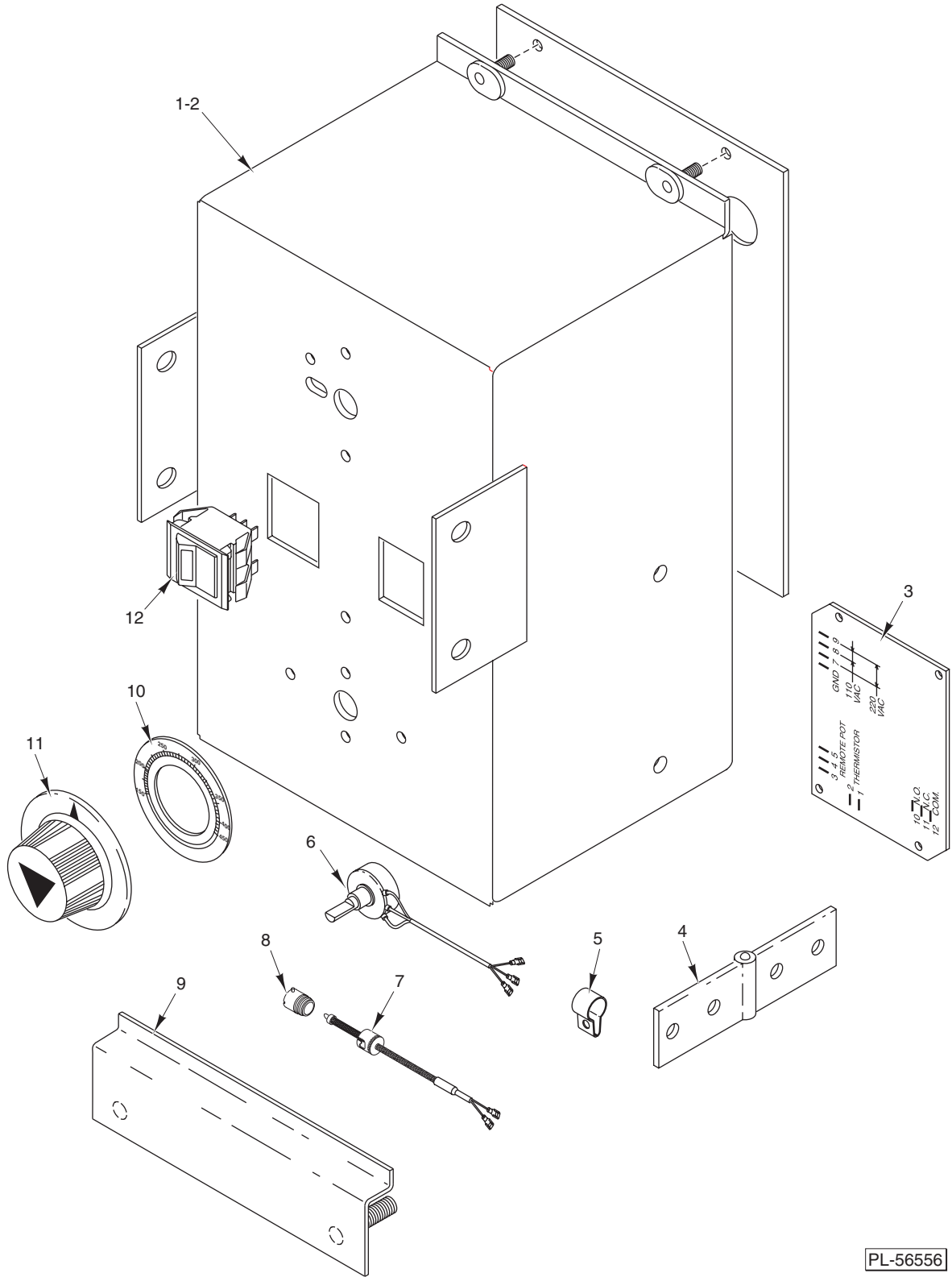
ILLUS.	PART NO.	NAME OF PART	AMT.
PL-56562			
1	00-840033-00011	Element – Electric Heating (240/208 V.)	AR
2	00-840033-00012	Element – Electric Heating (480/440 V.)	AR
3	00-359814-00001	Retainer – Element	AR
4	00-840090	Insulation – Element (23 & 30 Gallon)	1
5	00-541317	Insulation – Element (40 Gallon)	1
6	00-840091	Channel – Wire (23 & 30 Gallon)	1
7	00-840337	Channel – Wire (40 Gallon)	1
8	00-840205	Conduit – Flexible $\frac{3}{4}$ In.	1
9	00-840092	Cover – Element (23 & 30 Gallon)	1
10	00-840314	Cover – Element (40 Gallon)	1
11	00-840206	Connector 90 Deg. $\frac{3}{4}$ In.	1
12	00-840207	Connector $\frac{3}{4}$ In. Straight	1
13	00-840230	Clamp – Wire	3
14	00-410472-00008	Block – Terminal	1
15	00-821301	Actuator Assy. – Interlock Switch	1
	00-840115	Contact – Magnetic	AR
	FE-023-88	Lug – Ground (70 Amp.)	1
	FE-023-68	Lug – Ground (35 Amp.)	1
	00-997487	Switch – Interlock (Microswitch)	1



THERMOSTAT TEMPERATURE CONTROL

THERMOSTAT TEMPERATURE CONTROL

ILLUS.	PART NO.	NAME OF PART	AMT.
PL-56555			
1	00-840111-00001	Cover – Thermostat Box	1
2	00-840259-00001	Box – Timer	1
3	00-810071	Thermostat	1
4	00-840192	Knob – Thermostat	1
5	00-821047	Insulation – Thermostat Bulb	1
6	00-810039	Clamp – Thermostat Bulb	1
7	00-840041-00001	Clamp – Thermostat Conduit	1
8	00-840068-00001	Thermostat Conduit Assy. (Flexible)	1
9	00-840076	Connector ³ / ₈ In. Straight for Flexible Conduit (Gas Heat Units)	1
10	00-840228	Connector ³ / ₈ In. 90 Deg. for Flexible Conduit (Electric Heat Units)	1
11	00-840182	Bracket – Thermostat Box Mounting	1
12	00-840178	Box – Thermostat	1
13	00-881579	Switch – On/Off	1
	00-880108	Timer – Manual	1

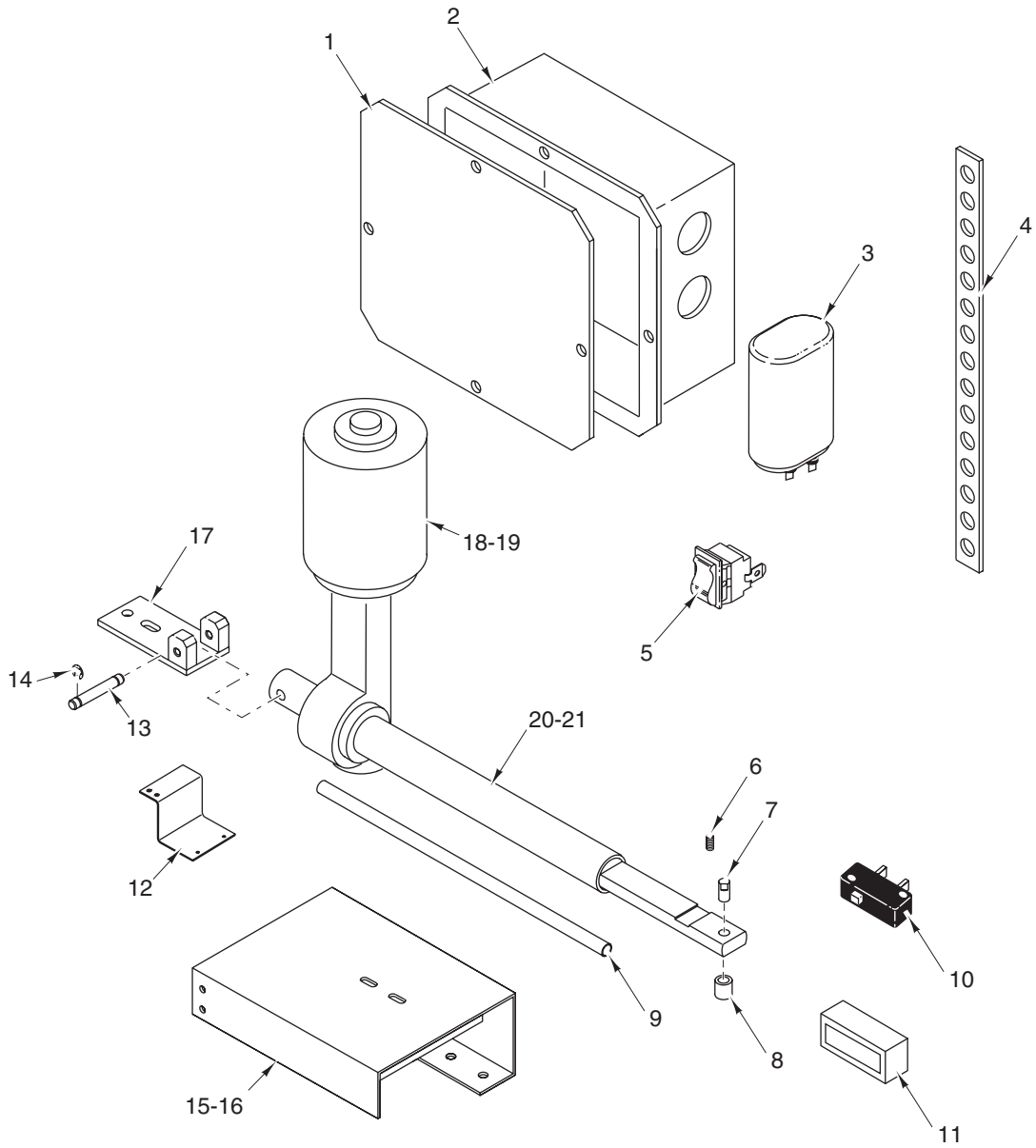


PL-56556

SOLID STATE TEMPERATURE CONTROL (OPTION)

SOLID STATE TEMPERATURE CONTROL (OPTION)

ILLUS.	PART NO.	NAME OF PART	AMT.
PL-56556			
1	00-840417-00001	Box Assy. – Control (Solid State).....	1
2	00-840417-00002	Box Assy. – Control (Solid State W/Electric Timer)	1
3	00-358512-00001	Controller – Solid State	1
4	00-881809	Hinge – Solid State Control Box	2
5	00-336442-00001	Clamp – Bulb	1
6	00-819001	Remote Set Pot	1
7	00-810125	Probe – Thermistor	1
8	00-808230	Fitting – Baynot	1
9	00-840227	Plate – Cover	1
10	00-810142	Dial – Solid State Control	1
11	00-821293	Knob – Solid State Control	1
12	00-881579	Switch – On/Off	1

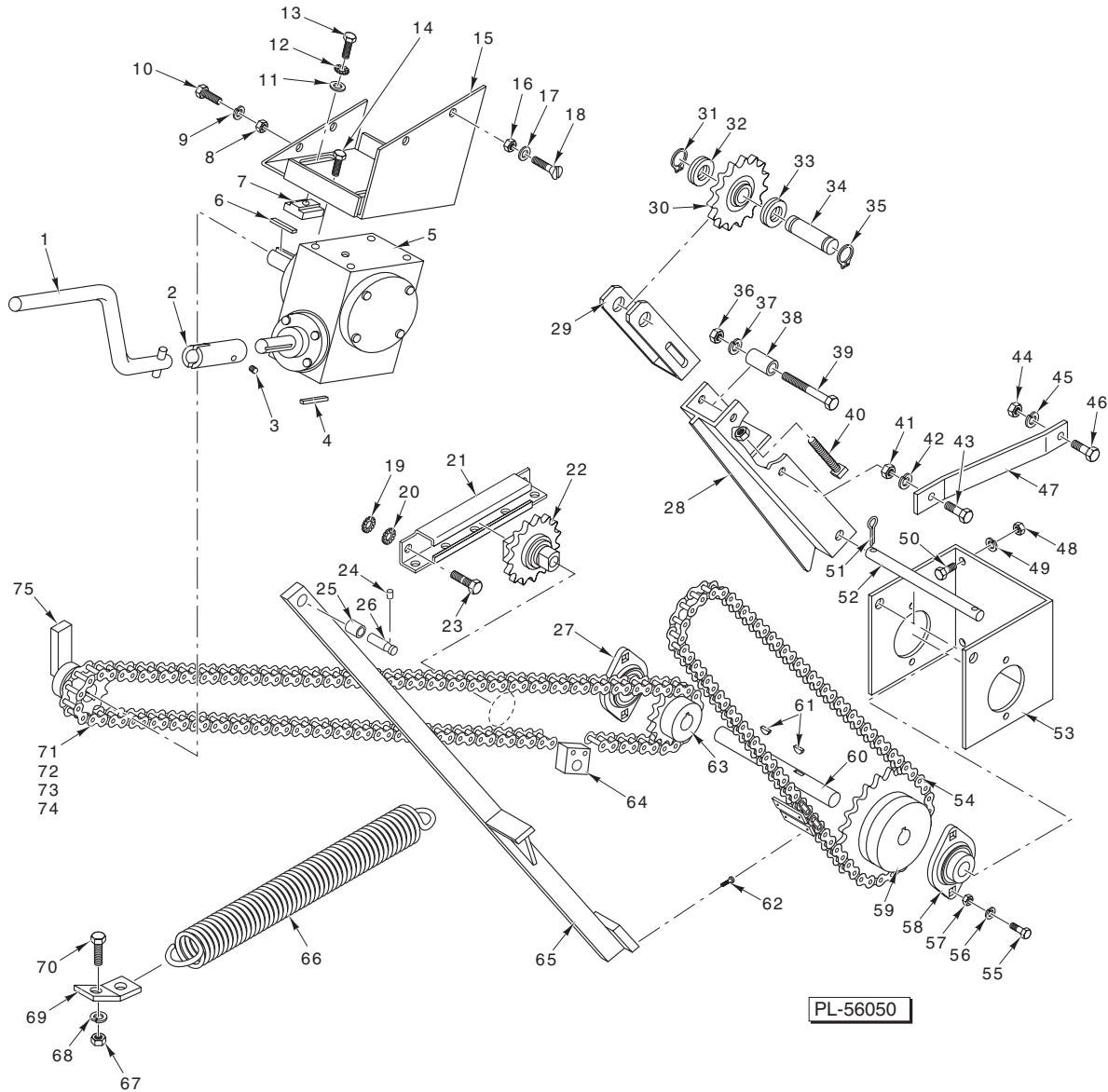


PL-56154

POWER LIFT

POWER LIFT

ILLUS. PL-56154	PART NO.	NAME OF PART	AMT.
1	00-840439	Cover – Capacitor Box	1
2	00-821041	Box Assy. – Capacitor	1
3	00-840078-00012	Capacitor – Power Lift Actuator	1
4	00-840438	Strap – Hold Down, Capacitor	2
5	00-821069	Switch – Power Lift (UP/DN)	1
6	SC-047-08	Set Screw 1/4-20 x 1/4 Soc. Hdls., Cup Pt.	1
7	00-840045	Pin – Pan Lift	1
8	00-840279	Bearing – Lift Assist Bar	1
9	00-840195	Sleeve – Lid Switch	1
10	00-860852	Microswitch (Lid)	1
11	00-840196	Enclosure – Lid Switch	1
12	00-840193	Bracket – Lid Switch	1
13	00-840086	Pin – Actuator	1
14	00-840087	Retaining Ring – Actuator	2
15	00-840083-00001	Support Assy. – Actuator (Previous Construction)	1
16	00-821188	Support Weldment – Actuator (Current Construction)	1
17	00-840100-00001	Mounting Assy. – Actuator	1
18	00-840078-00011	Motor – Power Lift Actuator (Previous Construction)	1
19	00-821206-00001	Motor – Power Lift Actuator (Current Construction)	1
20	00-840078-00001	Actuator Assy. – Power Lift (Previous Construction)	1
21	00-844312-00001	Actuator Assy. – Power Lift (Current Construction)	1

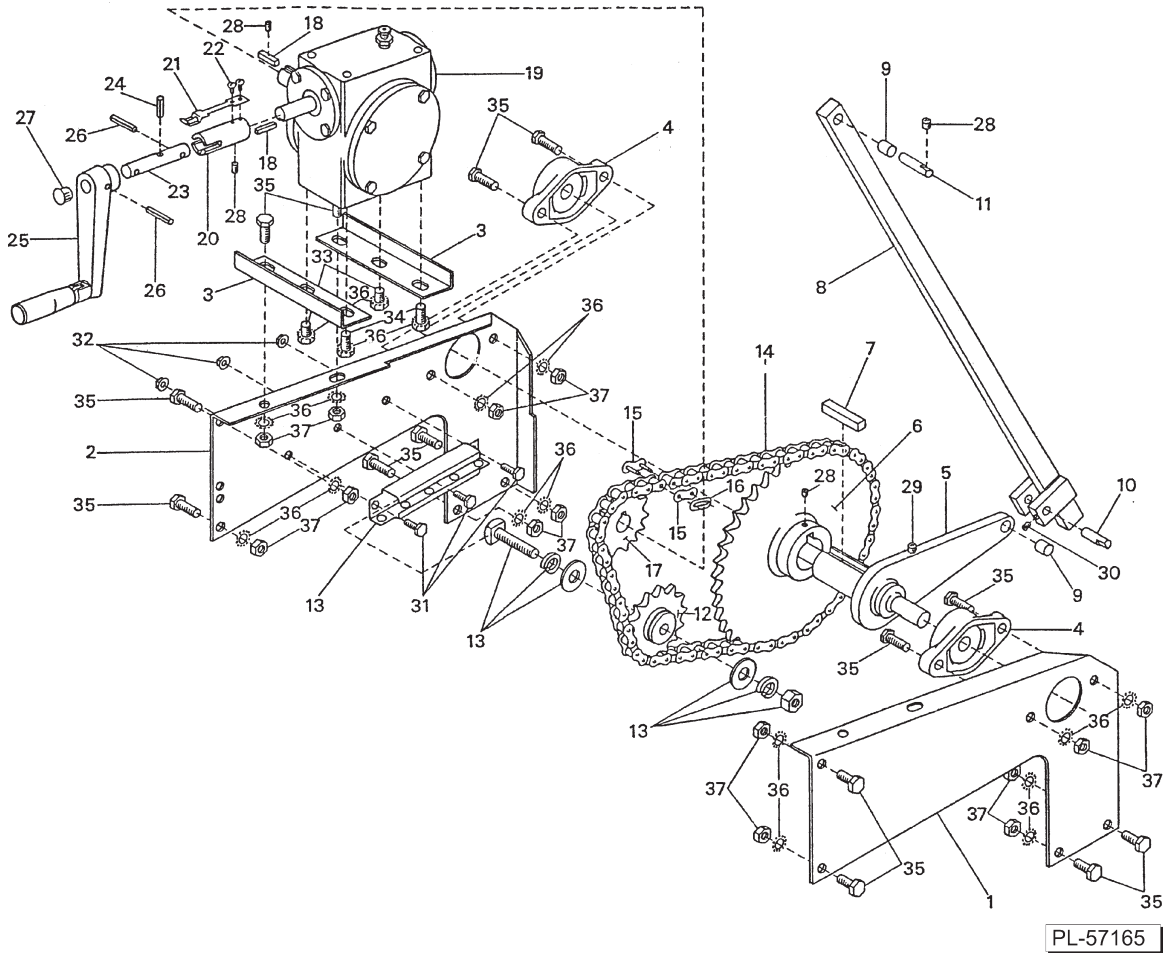


**MANUAL LIFT
(PREVIOUS CONSTRUCTION)**

ILLUS.	PART NO.	NAME OF PART	AMT.
PL-56050			
1	00-840140-00001	Handle Assy. – Crank (Models G-40 or E-40 only)	1
2	00-840141	Reducer Coupling – Handling	1
3	10-30-041	Set Screw 1/4-20 x 1/4 Lg.	2
4	10-48-005	Key – Square	1
5	00-840075	Reducer – Gear	1
6	10-48-005	Key – Square	1
7	00-821004-00002	Reducer Stop – Strike Gear	1
8	10-21-030	Nut 3/8-16 Hex	11
9	10-26-048	Lockwasher 3/8	11
10	10-01-178	Mach. Screw 3/8-16 x 7/8 Hex Hd.	5
11	10-26-008	Washer 3/8	2
12	10-26-049	Lockwasher External Shakeproof 1/2	1
13	10-01-178	Mach. Screw 3/8-16 x 7/8 Hex Hd.	5
14	10-02-175	Mach. Screw 3/8-16 x 1/2 Hex Hd. (SST)	4
15	00-840074	Bracket – Reducer Support	1

**MANUAL LIFT (Cont.)
(PREVIOUS CONSTRUCTION)**

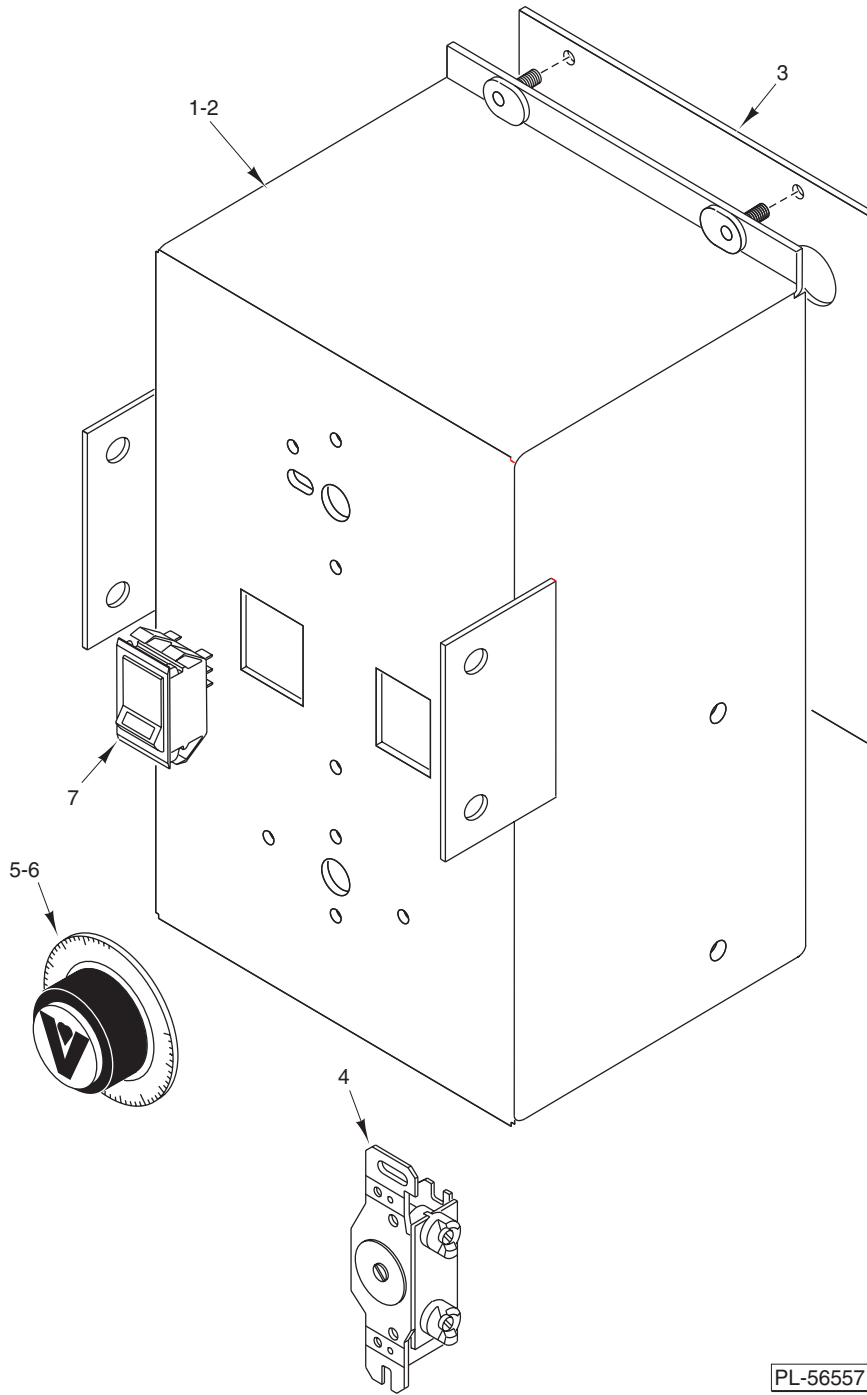
ILLUS. PL-56050	PART NO.	NAME OF PART	AMT.
16	10-21-030	Nut $\frac{3}{8}$ -16 Hex	11
17	10-26-048	Lockwasher $\frac{3}{8}$	11
18	10-07-178	Mach. Screw $\frac{3}{8}$ -16 x $\frac{7}{8}$ Flat Hd.	2
19	10-22-028	Lockwasher External Star $\frac{5}{16}$	2
20	10-27-047	Lockwasher External Star $\frac{5}{16}$	2
21	00-821003	Bracket – Chain Tightener	1
22	00-821002	Sprocket – Chain Tightener	1
23	10-02-127	Mach. Screw $\frac{5}{16}$ -18 Hex Hd. (SST)	1
24	10-30-041	Set Screw $\frac{1}{4}$ -20 x $\frac{1}{4}$	2
25	00-840279	Bearing – Lift Assist Bar	1
26	00-840045	Pin – Pan Lift	2
27	00-840063	Bearing – Lower	2
28	00-821022	Support Weldment	1
29	00-840432-00001	Take Up Assy.	1
30	00-840046	Sprocket – Driven Lift (15 Teeth)	1
31	00-840050	Ring – Retaining	2
32	00-840051	Spacer – Driven Sprocket	4
33	00-840051	Spacer – Driven Sprocket	4
34	00-840049	Shaft – Driver Sprocket	1
35	00-840050	Ring – Retaining	2
36	10-21-030	Nut $\frac{3}{8}$ -16 Hex	11
37	10-26-048	Lockwasher $\frac{3}{8}$	11
38	00-840053	Spacer – Take Up	1
39	10-01-190	Mach. Screw 2 Lg. Hex Hd.	1
40	10-32-002	Set Screw 2 In. Lg. Sq. Hd.	1
41	10-21-030	Hex Nut $\frac{3}{8}$ -16	11
42	10-26-048	Lockwasher $\frac{3}{8}$	11
43	10-01-178	Mach. Screw $\frac{3}{8}$ -16 x $\frac{7}{8}$ Hex Hd.	5
44	10-21-030	Nut $\frac{3}{8}$ -16 Hex	11
45	10-26-048	Lockwasher $\frac{3}{8}$	11
46	10-01-178	Mach. Screw $\frac{3}{8}$ -16 x $\frac{7}{8}$ Hex Hd.	5
47	00-840058	Tie Bar	1
48	10-21-030	Nut $\frac{3}{8}$ -16 Hex	11
49	10-26-048	Lockwasher $\frac{3}{8}$	11
50	10-01-177	Mach. Screw $\frac{3}{8}$ -16 x $8\frac{3}{4}$ Hex Hd.	4
51	10-42-044	Cotter Pin	2
52	00-821025	Bar – Support	1
53	00-821023	Bracket – Support	1
54	00-840065-00001	Chain – $\frac{5}{8}$ Pitch (62 Linds)	1
55	10-01-081	Mach Screw $\frac{1}{4}$ -20 x $\frac{3}{4}$ Hex Hd.	4
56	10-26-046	Lockwasher $\frac{1}{4}$	4
57	10-21-026	Nut $\frac{1}{4}$ -20 Hex	4
58	00-840063	Bearing – Lower	2
59	00-840060	Sprocket – Driver (24 Teeth)	1
60	00-840061	Shaft – Driver Sprocket	1
61	10-50-010	Key – Woodruff #606	2
62	10-11-047	Cap Screw 24 x $\frac{3}{8}$ Lg.	4
63	00-840134	Reducer Sprocket – Driven (13 Teeth)	1
64	00-840177	Connector – Spring	1
65	00-840210-00001	Bar Assy. – Lift Assist	2
66	00-840064	Spring – Extension	1
67	10-21-030	Nut $\frac{3}{8}$ -16 Hex	11
68	10-26-048	Lockwasher $\frac{3}{8}$	11
69	00-821026	Retainer – Extension Spring	11
70	10-01-178	Mach. Screw $\frac{3}{8}$ -16 x $\frac{7}{8}$ Hex Hd.	5
71	00-821001-00001	Chain – #50 Roller	1
72	00-840065-00012	Link – Connecting	AR
73	00-840065-00013	Link – Roller	AR
74	00-840065-00014	Link – Connecting (Attachment)	AR
75	00-821019	Stop Assy. – Sprocket	1



**MANUAL LIFT
(CURRENT CONSTRUCTION)**

**MANUAL LIFT
(CURRENT CONSTRUCTION)**

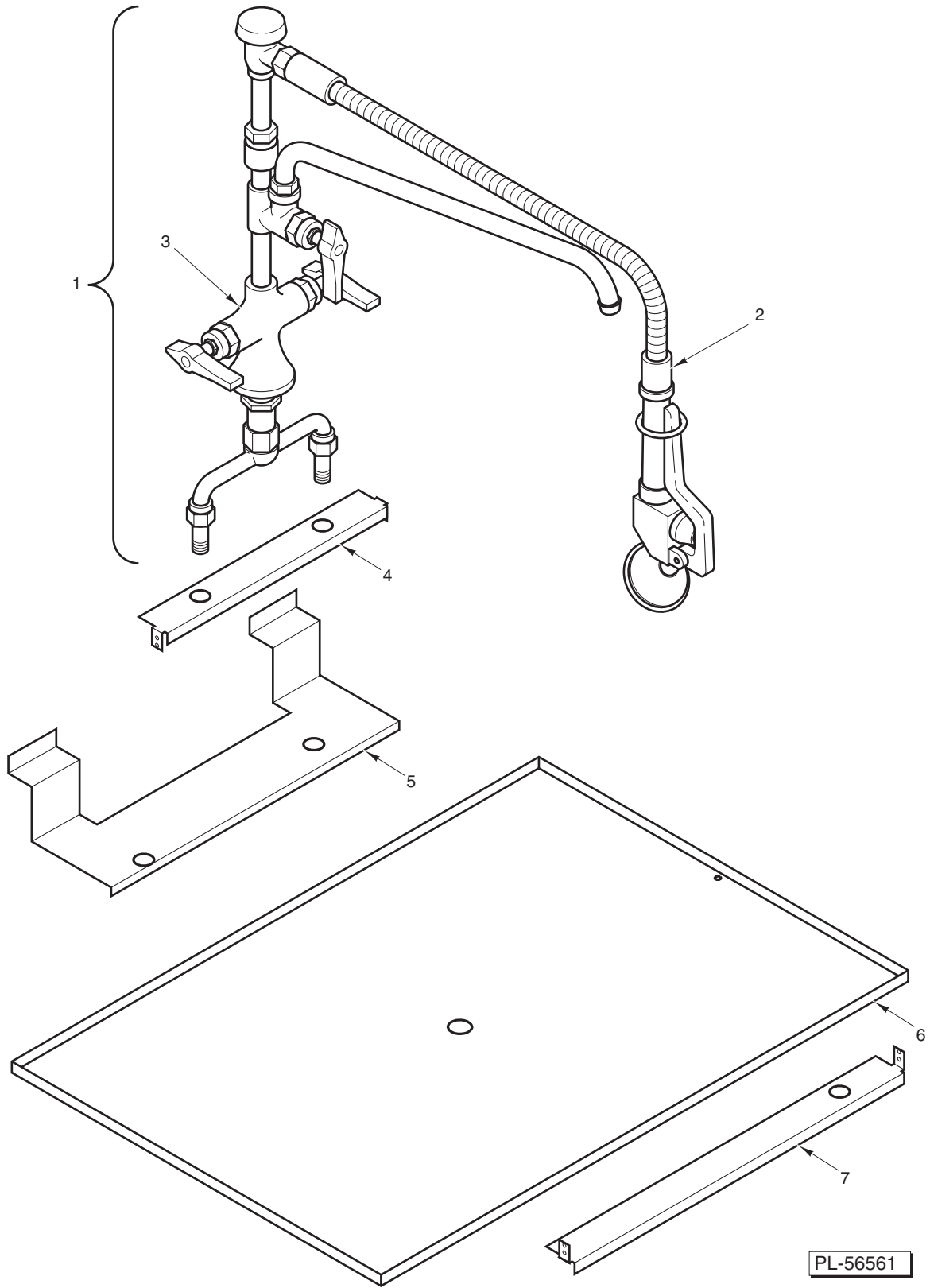
ILLUS. PL-57165	PART NO.	NAME OF PART	AMT.
1	00-821147	Bracket – Gear Reducer (RH)	1
2	00-821148	Bracket – Gear Reducer (LH)	1
3	00-821146	Top Bracket – Gear Reducer	2
4	00-821169	Bearing – Driven Sprocket	2
5	00-821304	Weldment – Lever Arm	1
6	00-821141	Weldment – Driven Sprocket	1
7	00-012430	Key Driven Sprocket	1
8	00-821118	Skillet Lift Link Weldment	1
9	00-840279	Bearing	2
10	00-821164	Pin – Lever Arm	1
11	00-840045	Pin – Pan Lift	1
12	00-821002	Sprocket Chain Idler	1
13	00-821003	Chain Tightener Assy.	1
14	00-821156-00001	Chain Skillet Lift	1
15	00-821001-00002	Link Offset Connecting	1
16	00-840065-00012	Spring Clip Coupling	1
17	00-840059	Sprocket – Reducer	1
18	00-012430	Key	2
19	00-821207	Gear Reducer	1
20	00-840141	Handle & Reducer Coupling	1
21	00-821302	Hand Crank Release Clip	1
22	SC-118-23	Mach. Screw 8-24 X 1/4 Pan Hd.	2
23	00-821159	Crank Handle Shaft	1
24	00-911046-00051	Roll Pin 1/4 Dia. X 13/16 Lg.	1
25	00-821294	Retractable Crank Handle	1
26	RP-002-46	Roll Pin 1/4 Dia. X 1 1/4 Lg.	2
27	PB-004-09	Black Nylon – Hole Plug 5/8	1
28	SC-047-08	Set Screw 1/4-20 X 1/4 Hex Hdls., Cup Pt.	5
29	SC-047-34	Set Screw 3/16-18 X 1/2 Hex Hdls., Cup Pt.	1
30	SC-047-02	Set Screw 10-24 X 1/4 Hex Hdls., Cup Pt.	1
31	SC-036-04	Mach. Screw 1/4 X 20 X 3/4 Hex Hd.	3
32	NS-038-08	1/4-20 Flanged Hex	3
33	SC-067-15	Mach. Screw 3/8-16 X 1/2 Hex Hd.	2
34	SC-037-71	Cap Screw 3/8-16 X 3/4 Hex Hd.	2
35	SC-036-55	Cap Screw 3/8-16 X 1 Hex Hd.	14
36	WL-007-24	Lockwasher 3/8 External	18
37	NS-013-22	Lock Nut 3/8-16 Hex	14



ELECTRIC TIMER (OPTION)

ELECTRIC TIMER (OPTION)

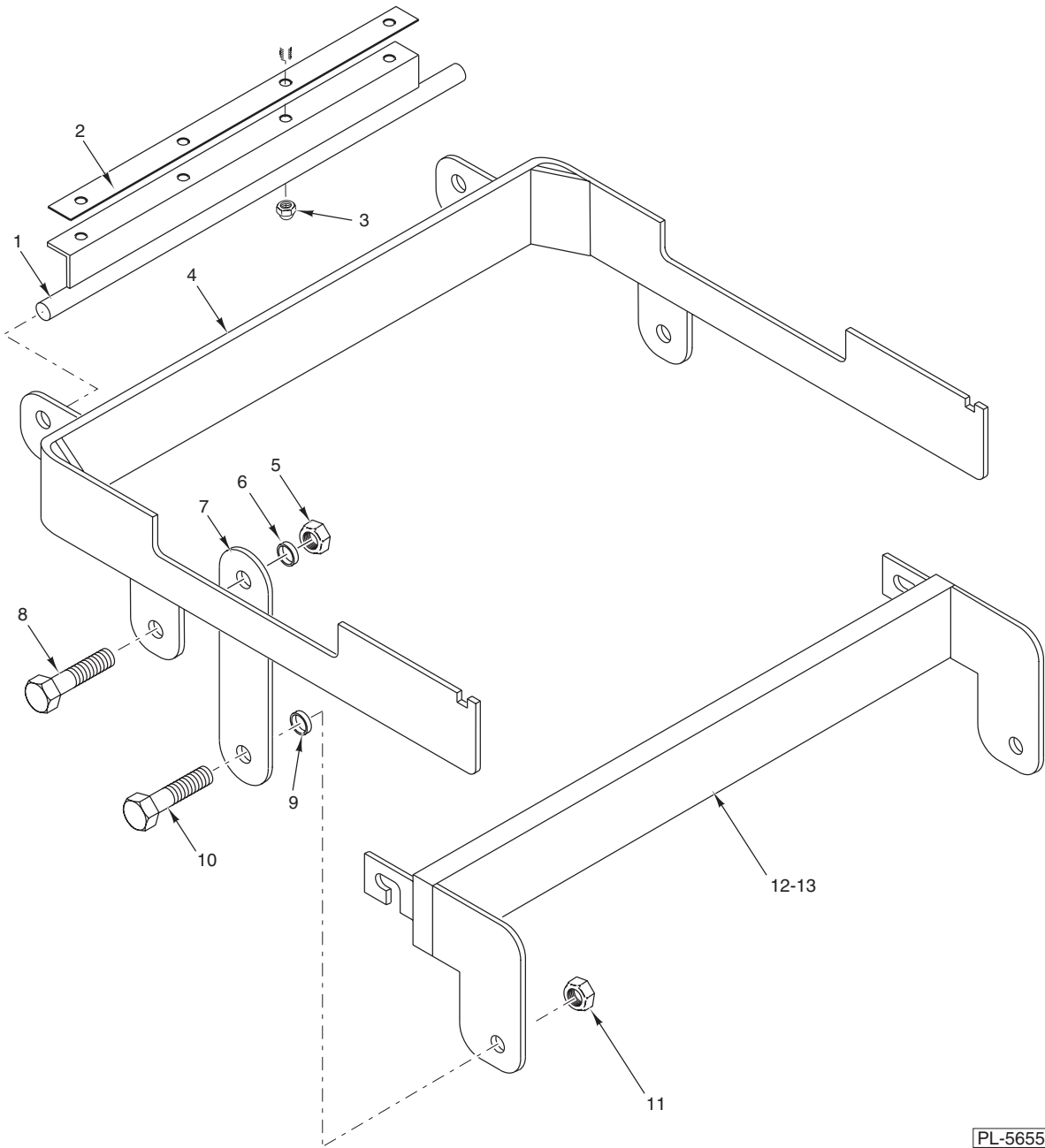
ILLUS.	PART NO.	NAME OF PART	AMT.
PL-56557			
1	00-840178	Box Assy. (Electric Timer)	1
2	00-840417-00002	Box Assy. (Unit With Electric Timer and Solid State Temperature Control Options)	1
3	00-840181	Back – Box (Electric Timer)	1
4	00-880009	Buzzer – Electric	1
5	00-881669-00010	Knob – Timer	1
6	00-881601	Timer (60 min.)	1
7	00-920631	Switch – Push Button	1



SPRAY HOSE WITH FAUCET (OPTION)

SPRAY HOSE WITH FAUCET (OPTION)

ILLUS. PL-56561	PART NO.	NAME OF PART	AMT.
1	00-840203-00001	Spray Hose Assy. W/Faucet	1
2	00-911187-00004	Spray Head W/Flexible Stainless Steel Hose 72 In. Lg.	2
3	00-911187-00003	Faucet – Hot/Cold Mixing	1
4	00-840356	Bracket – Faucet Mounting (23 & 30 Gallon, Closed Frame)	1
5	00-840378	Bracket – Faucet Mounting (Open Frame)	1
6	00-840009	Shield – Heat (Used as Storage Pan for Spray Hose, Electric Heat)	1
7	00-840402	Bracket – Faucet Mounting (40 Gallon, Closed Frame)	1



PL-56554

ARTICULATED PAN HOLDER (OPTION)

ARTICULATED PAN HOLDER (OPTION)

ILLUS.	PART NO.	NAME OF PART	AMT.
PL-56554			
1	00-840212-00001	Top Pivot Weldment	1
2	00-840287	Gasket – Top Pivot Bracket	1
3	NS-024-26	Crown Nut 10-24	4
4	00-840215-00001	Frame – Pan Holding, Weldment	1
5	NS-046-09	Stop Nut Special 3/8-16 (SST)	2
6	00-840224	Spacer – Pivot	2
7	00-840223	Link – Fulcrum	2
8	SC-041-28	Cap Screw 3/8-16 x 3/4 Hex Hd. (SST)	2
9	00-840224	Spacer – Pivot	2
10	SC-041-28	Cap Screw 3/8-16 x 3/4 Hex Hd. (SST)	2
11	NS-046-09	Stop Nut Special 3/8-16 (SST)	2
12	00-840219-00001	Bracket – Frame Fulcrum, Weldment (G/E23, 30)	1
13	00-840420-00001	Bracket – Frame Fulcrum, Weldment (G/E40)	1

OTHER OPTIONS

ILLUS.	PART NO.	NAME OF PART	AMT.
PL-56591			
1	00-840414-00001	Leg – Caster Assy.	4
2	00-804555	Caster – Swivel W/O Lock	2
3	00-804556	Caster – Swivel W/Lock	2
4	00-840427-00001	Steam Rack Assy.	AR
5	00-907791	Transformer 50 V. (240/480 V. to 120 V.) (Electric Units W/O Power Lift)	1
6	00-880314	Transformer 350 V. (Electric Units W/Power Lift)	1
7	00-840252	Terminal Block for Neutral Wire	1
8	00-911187-00002	Faucet – Single W/12 In. Swing Spout	1
9	00-911187-00003	Faucet – Double W/12 In. Swing Spout	1
10	00-836760	Bracket – Mounting (For Faucet W/Swing Spout)	1
11	10-22-066	Hex Nut – Elastic 1/4-20 (For 836760)	1