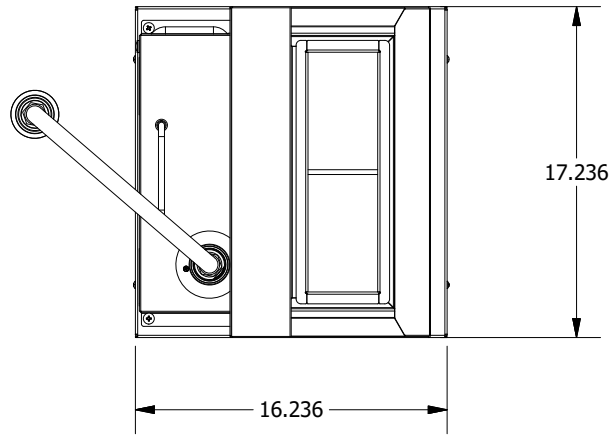


2

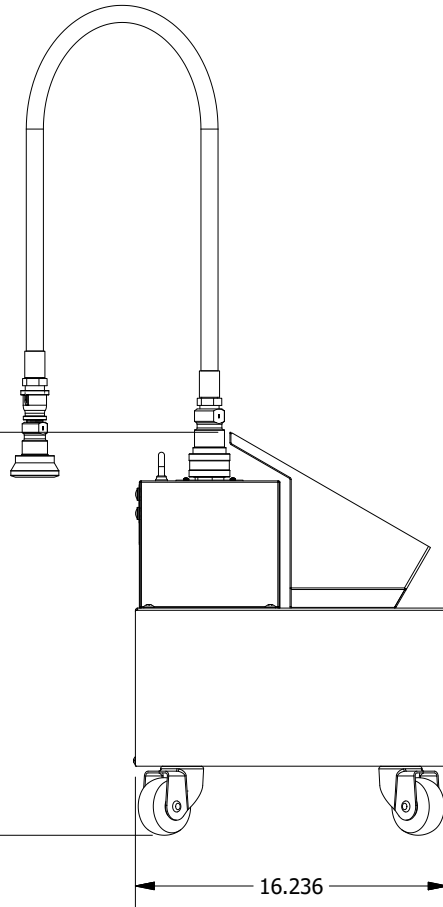
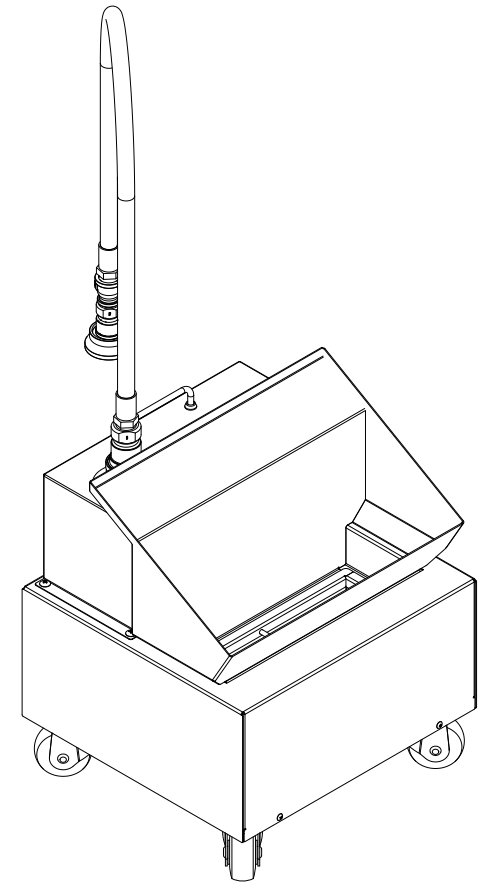


1



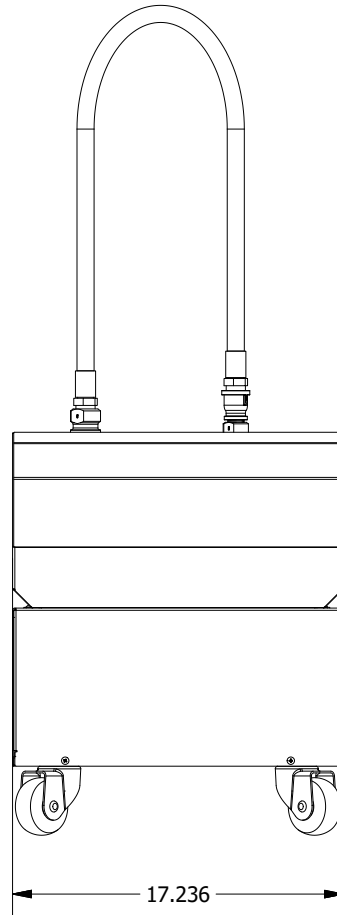
B

B



A

A



2

1

DRAWN BY	CCB	9/15/2023	<b>FRONTLINE</b> <i>international</i> 187 ASCOT PARKWAY CUYAHOGA FALLS, OH 44223 <small>TITLE</small> 60lb-8gal Grill Grease Transport Caddy
MATERIAL/FINISH	Various	A	
REVISION			
THIS DRAWING IS CONFIDENTIAL PROPERTY OF FRONTLINE INTERNATIONAL		TOLERANCES ARE: .XX: ± .010 .XXX: ± .005 ANGULAR: ± .5°	<small>PART NUMBER</small> LS1-60-NA-GG
			SHEET 1 OF 1