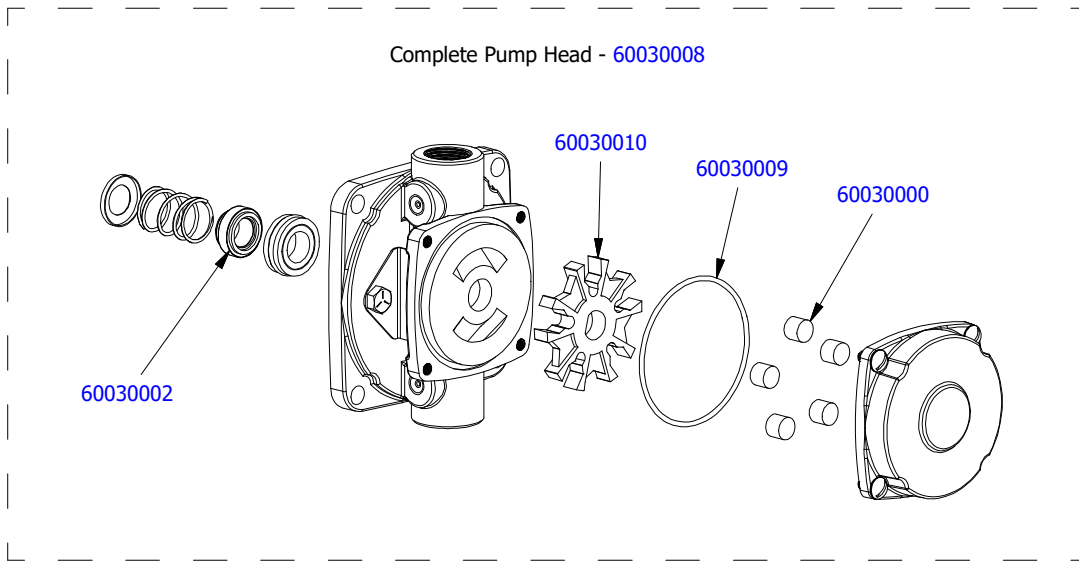
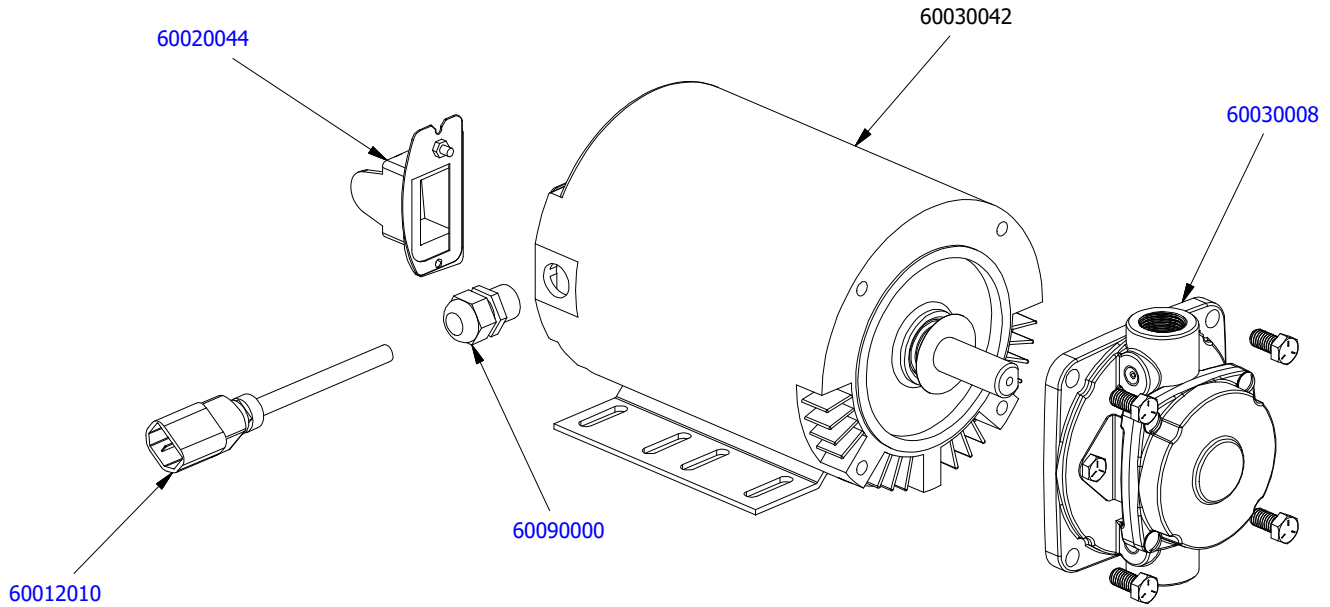


60030019

Parts View

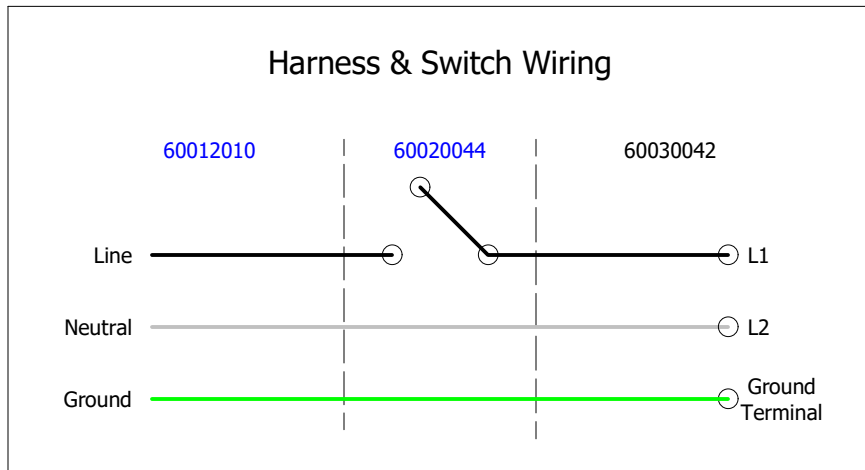


Part Number	Description	Qty
60012010	10" Motor Wiring Hanes	1
60020044	Caddy Motor Switch Kit	1
60030008	NR5 Pump Head for 1/2HP Motor	1
60030000	5 GPM Roller for Roller Pumps	5
60030002	Seal Kit for NR5 pump	1
60030009	Silicone O-Ring for Roller Pumps	1
60030010	Pump Rotor Gear for NR5 Pump	1
60030042	NR5 Motor Only, No Power Cord or Switch	1
60090000	1/2" NPT Domed Cord Strain Relief	1

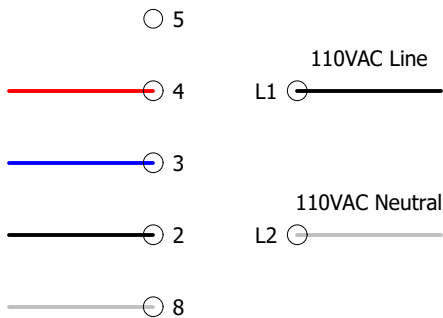
FRONTLINE
international
187 ASCOT PARKWAY
CUYAHOGA FALLS, OH 44223

TITLE 60030019 Parts View
PART NUMBER 60030019
6/17/20 SHEET 1 OF 2

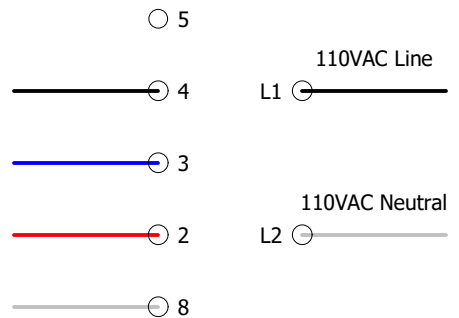
Harness & Switch Wiring



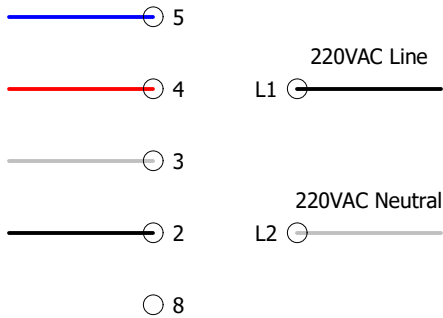
CCW Rotation, 110VAC



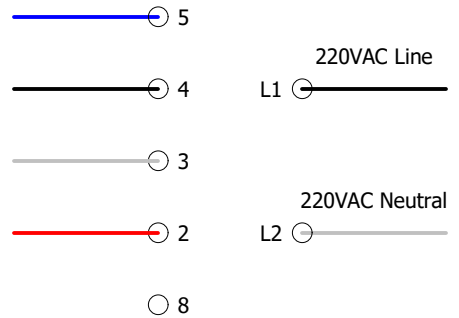
CW Rotation, 110VAC



CCW Rotation, 220VAC



CW Rotation, 220VAC



NOTE:

- Motor MUST be grounded in any wiring configuration.
- Default rotation is CCW

TOLERANCES ARE:
 .XX: ± .010
 .XXX: ± .005
 ANGULAR: ± .5°

FRONTLINE
international

187 ASCOT PARKWAY
 CUYAHOGA FALLS, OH 44223

THIS DRAWING IS
 CONFIDENTIAL
 PROPERTY OF
 FRONTLINE
 INTERNATIONAL

TITLE
 60030019 Wiring Diagram

DRAWN CCB SHEET 2 OF 2