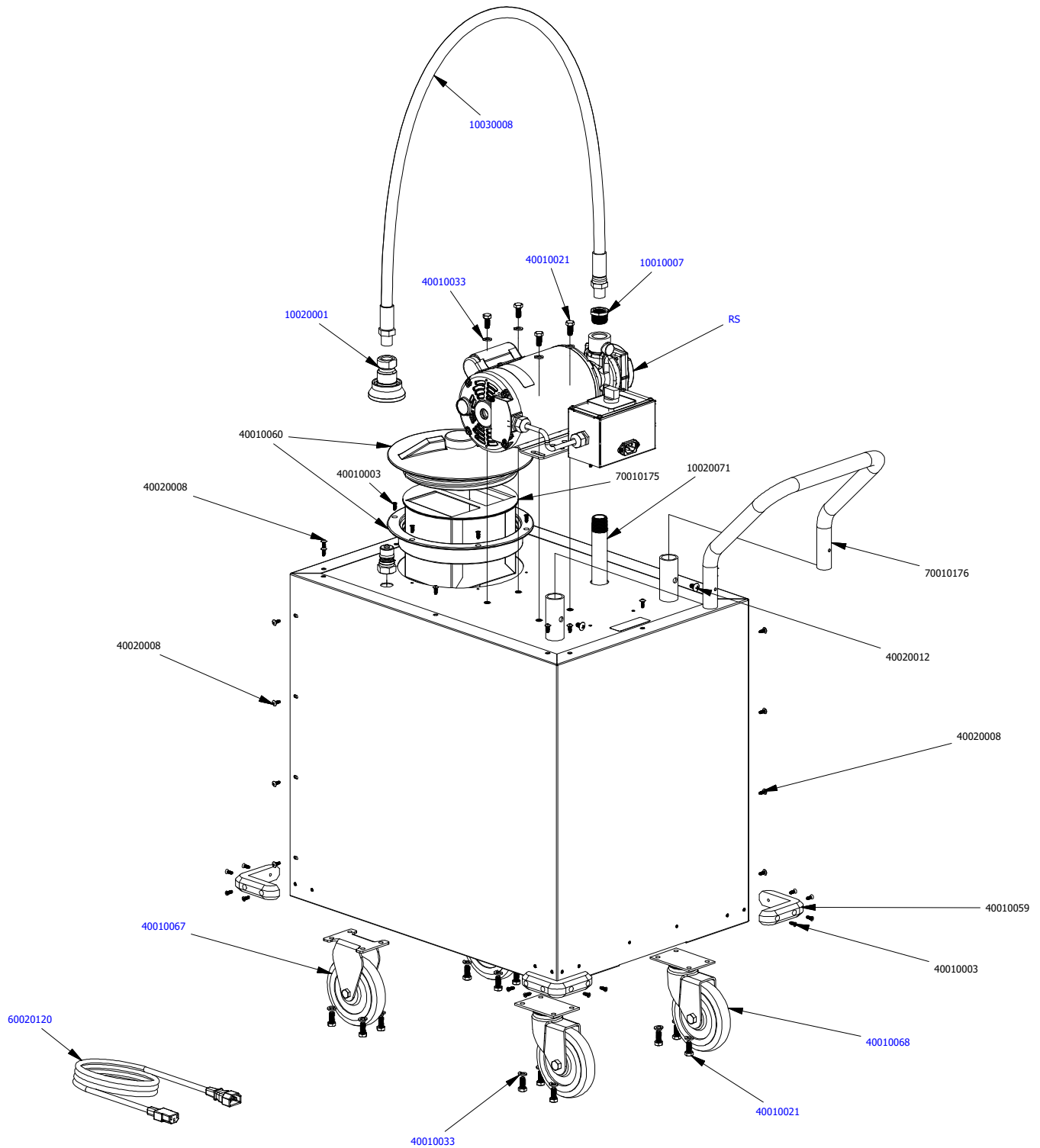


47SS-NA-WP Parts View



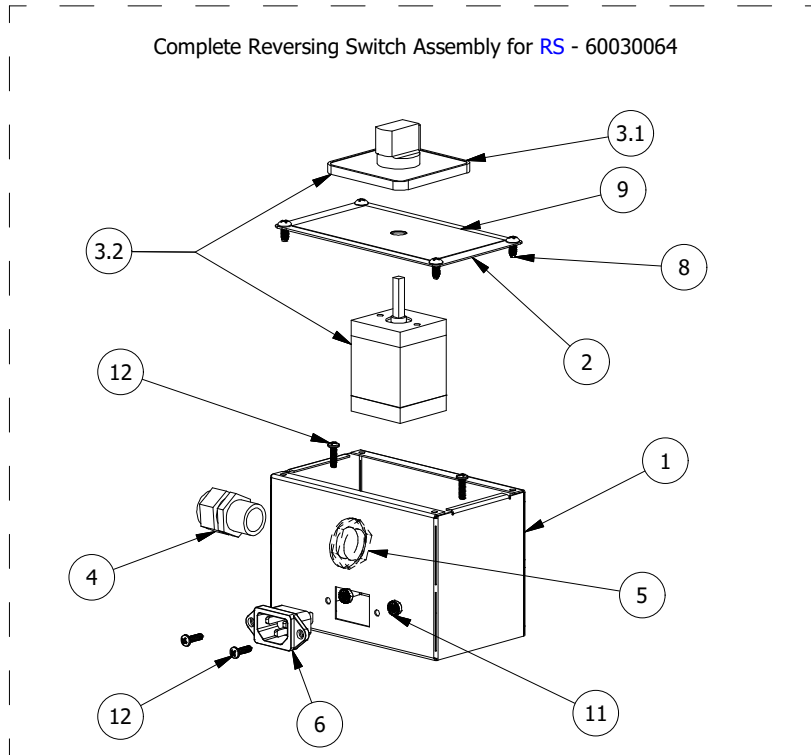
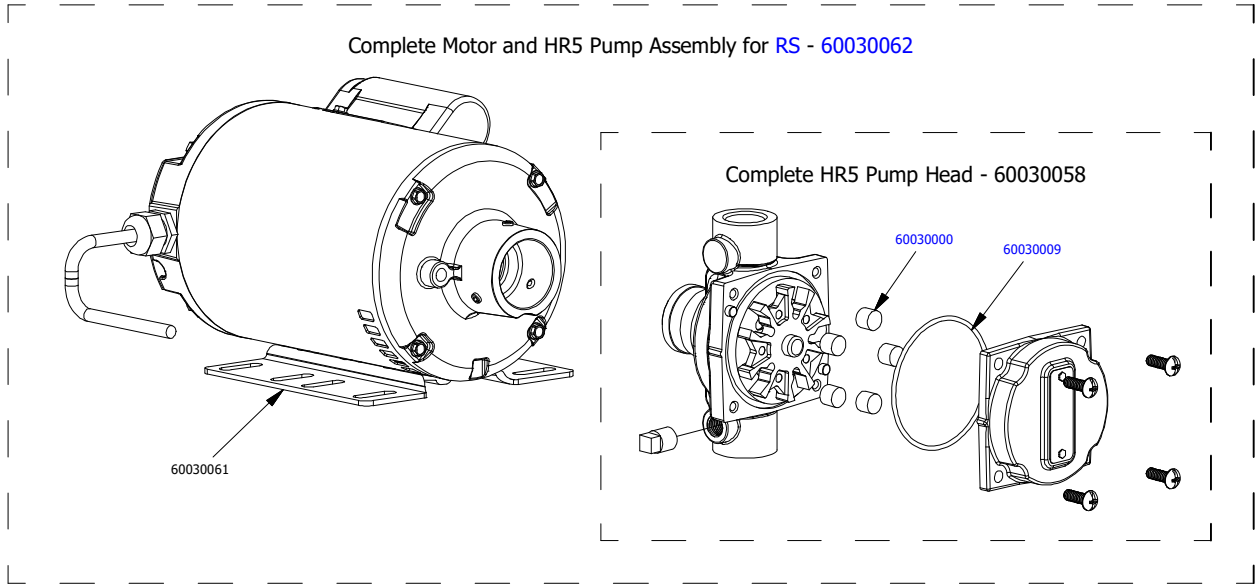
Part Number	Description	Qty	Part Number	Description	Qty
10010007	3/4" x 1/2" Galv. Reducing Hex Bushing	1	40010060	8" Plastic Ring and Vented Lid	1
10010086	1/2" to 3/8" Galv. Reducing Hex Bushing	1	40010067	1 1/2" x 5" Hard Rubber Ridgid Caster	2
10020001	1/2" Quick Disconnect Fitting, Coupler, Food Grade	1	40010068	1 1/2" x 5" Hard Rubber Swivel Caster	2
10020002	1/2" Quick Disconnect Fitting, Nipple, Food Grade	1	40020008	10-24 x 1/2" Truss Head Screw	20
10020071	47SS Suck Pipe	1	40020012	1/4" - 20 Truss Head Screw	2
10030008	.500 White Kleenflow Hose, 48"L x 1/2" NPT	1	60020070	1/2" Conduit Locknut	1
40010003	8-32 X 1/2" Flathead Screw	22	60020120	Caddy Power Supply Cord, IEC for Control Panel	1
40010021	5/16"-18 x 3/4" Unslotted Hex Screw	20	70010175	47SS Basket	1
40010033	5/16" Medium Split Lockwasher	20	70010176	47SS/74SS Cart Handle	1
40010059	Corner Bumper	4	RS	Caddy Power Supply Cord, NEMA 5-15 for US Outlet	1

FRONTLINE
international
187 ASCOT PARKWAY
CUYAHOGA FALLS, OH 44223

TITLE: 47SS-NA-WP Parts View
PART NUMBER: 47SS-NA-WP

8/11/22 SHEET 1 OF 3

RS Parts View

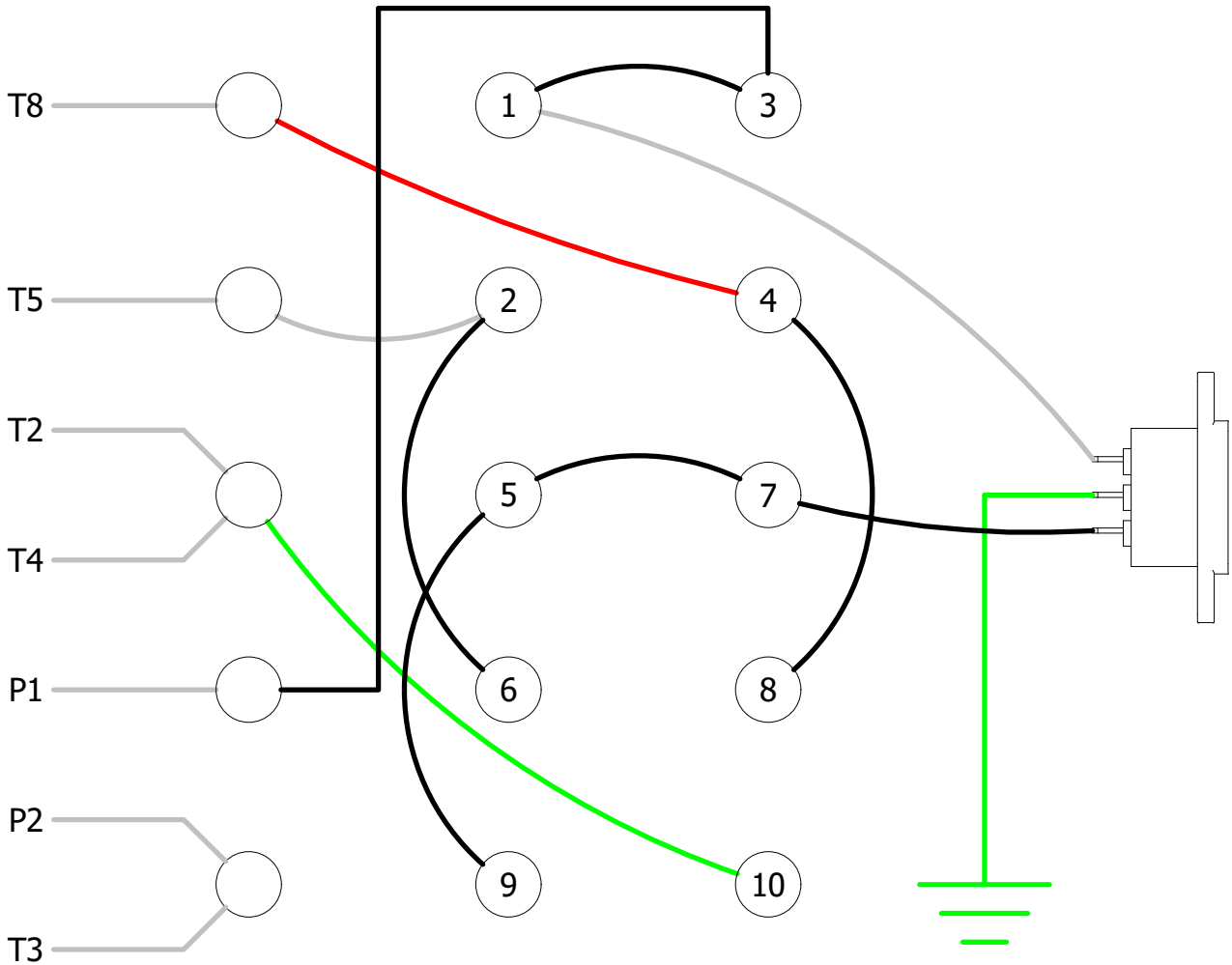


Part Number	Description	Qty	Part Number	Description	Qty
40010002	8-32 X 3/8" Panhead Phillips Type F 410 SS Screw	4	60030058	HR5 Pump Head for 1/2HP Motor	1
40010030	6-32 x 1/2" Pan Head Phillips Machine Screw Steel Zinc	4	60030000	5 GPM Roller - Teflon	5
40010031	6-32 Hex Keps Nut Steel Zinc	2	60030009	Silicone O-Ring for Roller Pumps	1
50020127	Reversing Switch Faceplate Decal	1	60030063	HR5 Motor Only wired for RS w/ 12" Wire Lead	1
60020012	Panel Mount Receptacle for Molded Female Caddy Cord	1	60090000	1/2" NPT Domed Cord Strain Relief - Black	1
60020107	Three Position Reversing Switch	1	60090001	1/2" NPT Nut - Black	1
60020117	Reversing Switch Knob and Legend Plate (Text 1,0,2) Kit	1	70010122	SS Reversing Switch Housing	1
60030062	HR5 Motor & Pump wired for RS w/ 12" Wire Lead	1	70010123	SS Baco Switch Faceplate	1

FRONTLINE
international
187 ASCOT PARKWAY
CUYAHOGA FALLS, OH 44223

TITLE RS Parts View
PART NUMBER RS
10/28/22 SHEET 2 OF 3

Haight Reversing Switch Wiring, 110VAC



Switch Legend			
	L	O	R
1-2	X		
3-4			X
5-6			X
7-8	X		
9-10	X		X

TOLERANCES ARE: .XX: ± .010 .XXX: ± .005 ANGULAR: ± .5°	FRONTLINE <i>international</i> 187 ASCOT PARKWAY CUYAHOGA FALLS, OH 44223
THIS DRAWING IS CONFIDENTIAL PROPERTY OF FRONTLINE INTERNATIONAL	
TITLE	47SS-NA-WP Wiring Diagram
DRAWN	CCB
	SHEET 3 OF 3