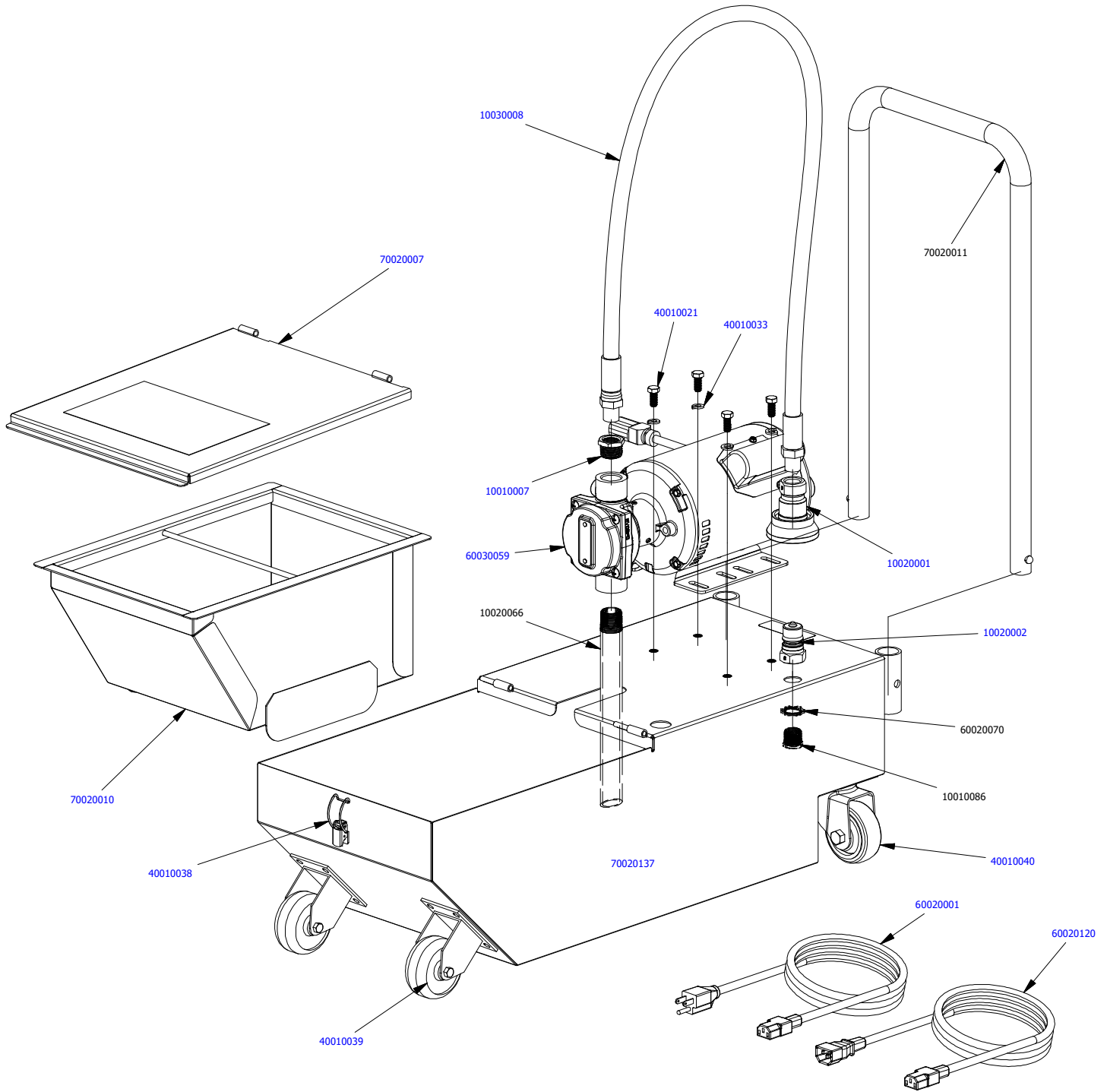


# 10SS-NA Parts View



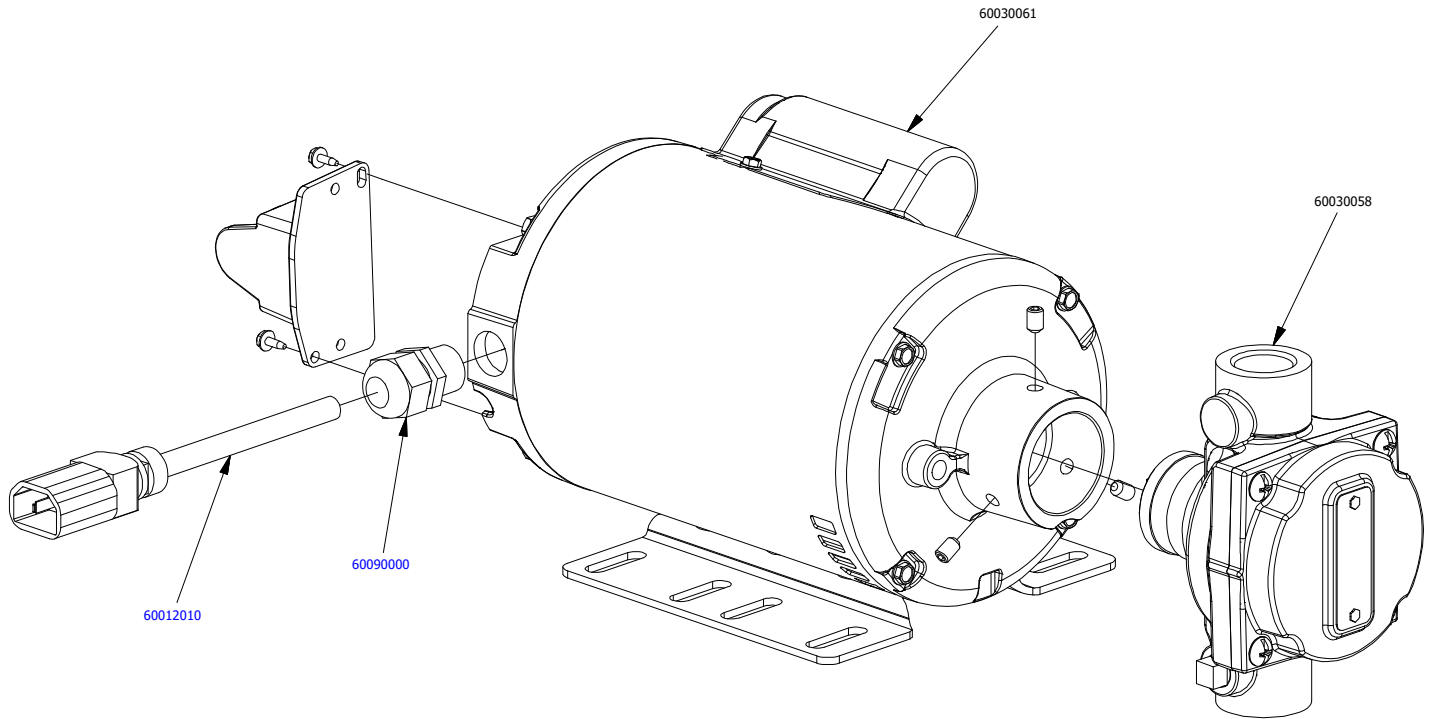
Part Number	Description	Qty	Part Number	Description	Qty
10010007	3/4" x 1/2" Galv. Reducing Hex Bushing	1	60020120	Caddy Power Supply Cord, IEC for Control Panel	1
10010086	1/2" to 3/8" Galv. Reducing Hex Bushing	1	60030059	HR5 Motor & Pump w/Power Cord & Switch	1
10020001	1/2" Quick Disconnect Fitting, Coupler, Food Grade	1	70020007	10SS Caddy Lid	1
10020002	1/2" Quick Disconnect Fitting, Nipple, Food Grade	1	70020010	10SS Caddy filter basket	1
10020066	10SS Caddy Suck Pipe	1	70020011	Caddy Handle	1
10030008	.500 White Kleenflow Hose, 48"L x 1/2" NPT	1	70020137	10SS Rolling Chassis	1
40010021	5/16"-18 x 3/4" Unslotted Hex Screw	4	40010038	Caddy Lid Draw Latch	1
40010033	5/16" Medium Split Lockwasher	4	40010039	3" Rigid Caster, Poly Wheel	2
50020025	3" X 3" Z-Ultimate 3000T White Thermal Transfer Synthetic Labels 1880 Labels 3' Core, 8" OD	1	40010040	3" Swivel Caster, Poly Wheel	2
60020001	Caddy Power Supply Cord, NEMA 5-15 for US Outlet	1			
60020070	1/2" conduit locknut	1			

**FRONTLINE**  
international  
187 ASCOT PARKWAY  
CUYAHOGA FALLS, OH 44223

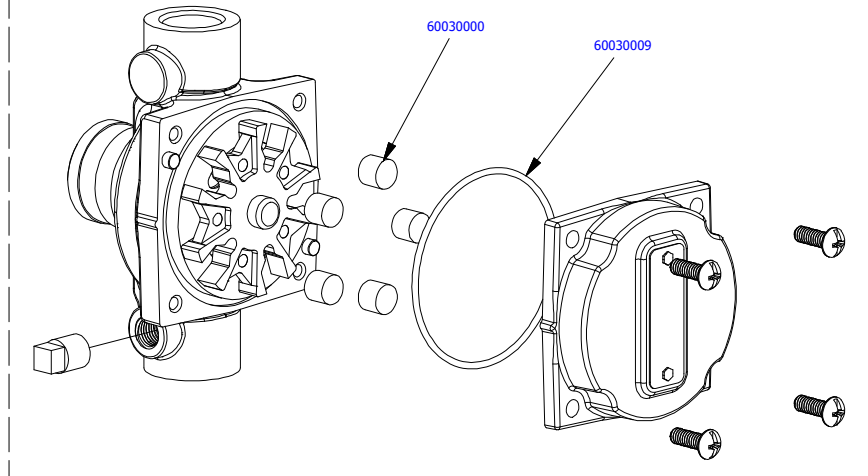
TITLE 10SS-NA Parts View  
PART NUMBER 10SS-NA  
10/28/22 SHEET 1 OF 3

# 60030059

## Parts View



### Complete Pump Head - 60030058

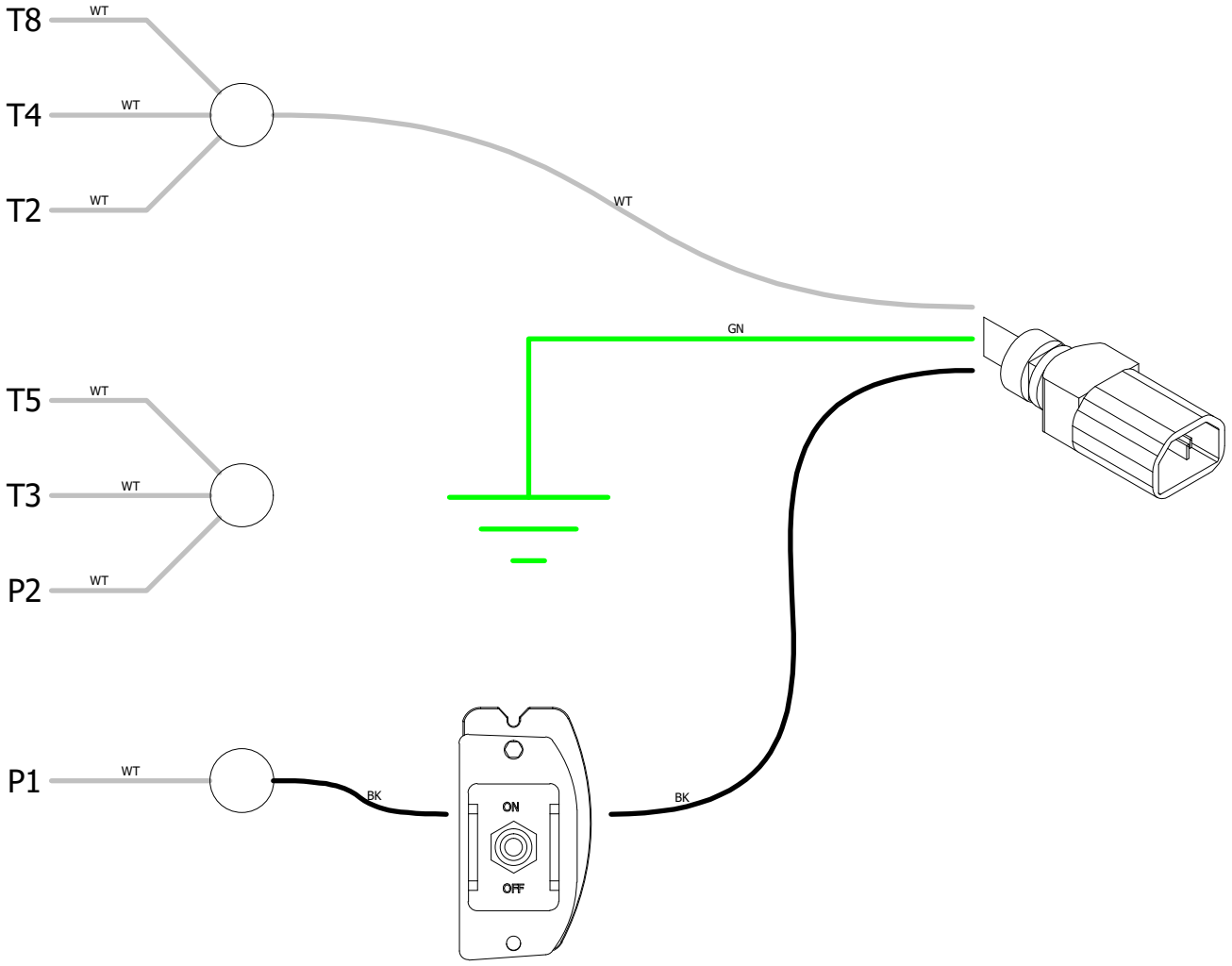


Part Number	Description	Qty
60012010	10" Motor Wiring Hanes	1
60020070	1/2" Conduit Locknut	1
60030000	5 GPM Roller for Roller Pumps	5
60030009	Silicone O-Ring for Roller Pumps	1
60030058	HR5 Pump Head for 1/2HP Motor	1
60030061	HR5 Motor Only, No Power Cord or Switch	1
60090000	1/2" NPT Domed Cord Strain Relief	1

**FRONTLINE**  
**international**  
 187 ASCOT PARKWAY  
 CUYAHOGA FALLS, OH 44223

TITLE **60030059** Parts View  
 PART NUMBER **60030059**  
 10/28/22 SHEET 2 OF 3

# Haight Standard Wiring, 110VAC



TOLERANCES ARE: .XX: ± .010 .XXX: ± .005 ANGULAR: ± .5°	<b>FRONTLINE</b> <i>international</i> 187 ASCOT PARKWAY CUYAHOGA FALLS, OH 44223
THIS DRAWING IS CONFIDENTIAL PROPERTY OF FRONTLINE INTERNATIONAL	
	TITLE 10SS-NA Parts View Wiring Diagram
DRAWN CCB	SHEET 3 OF 3