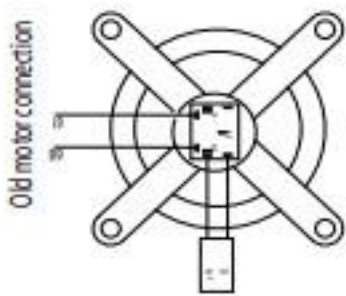
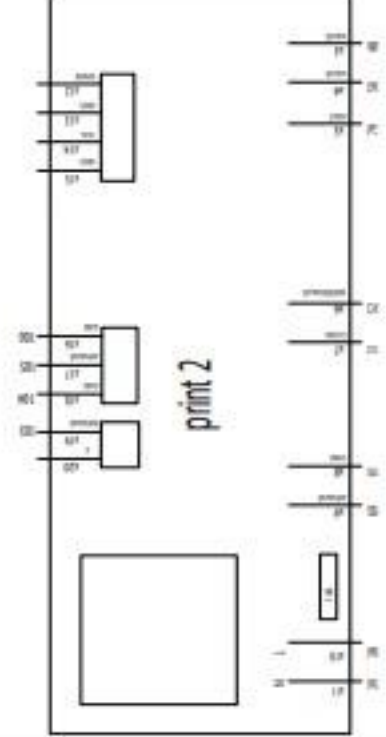
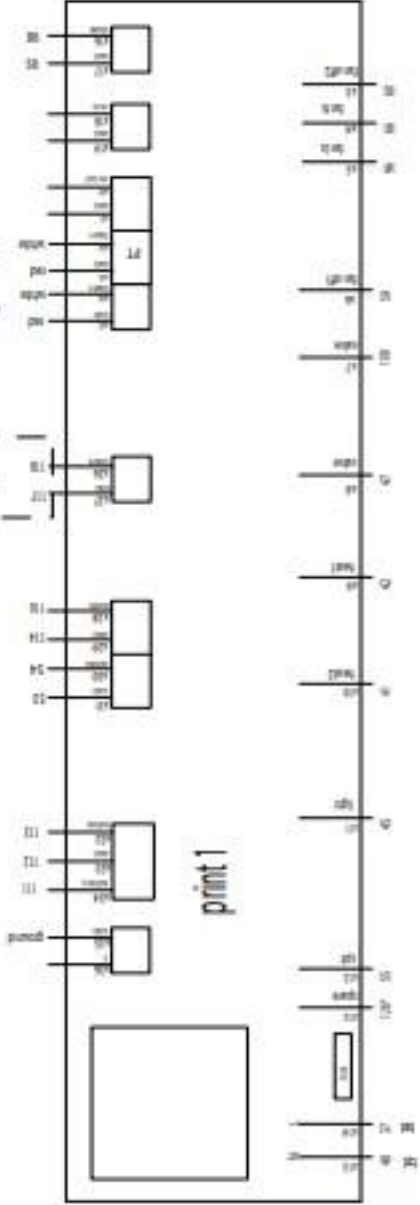
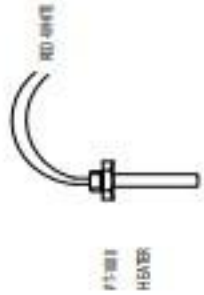
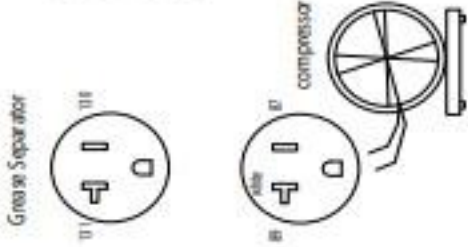
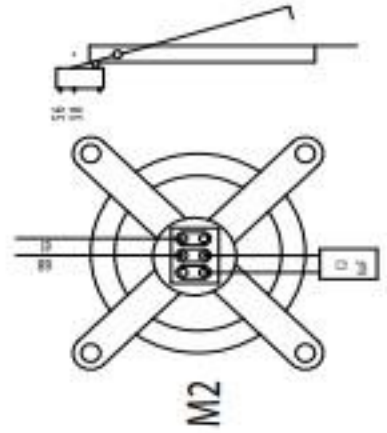
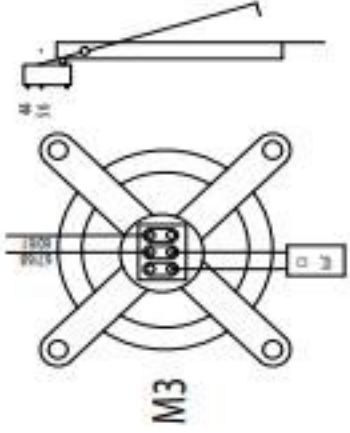
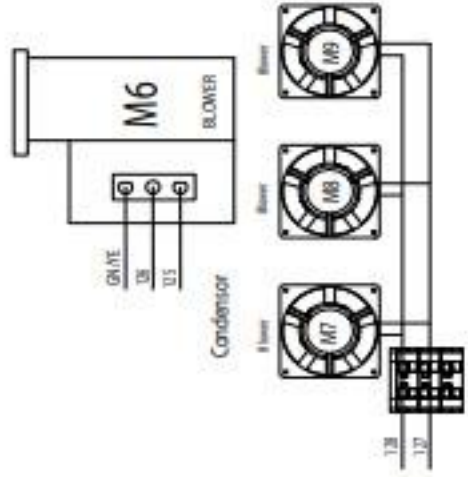
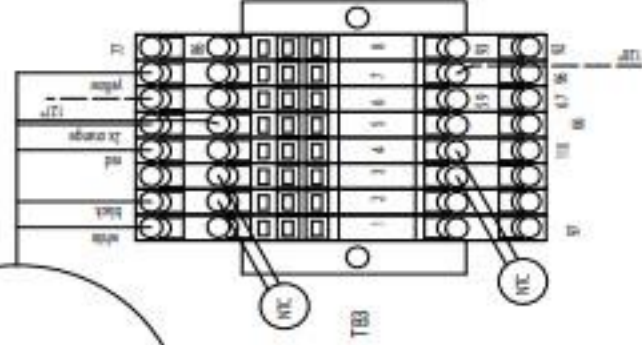
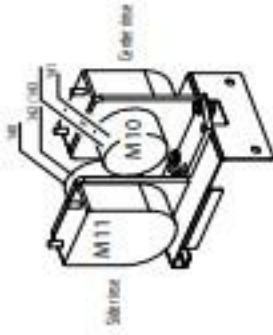
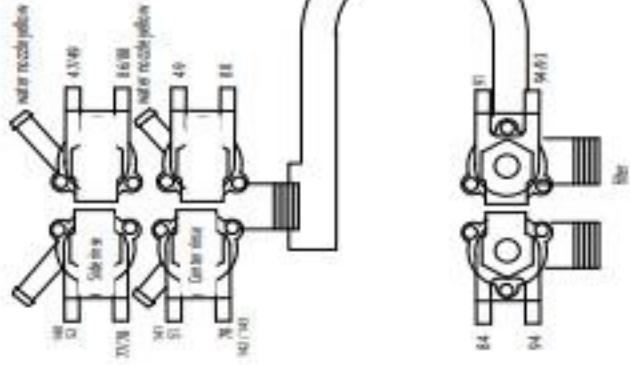
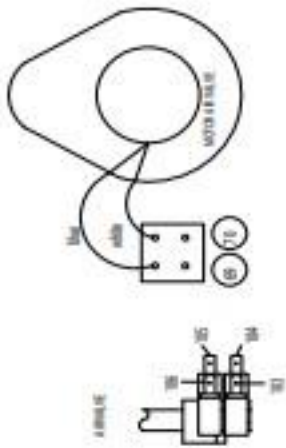
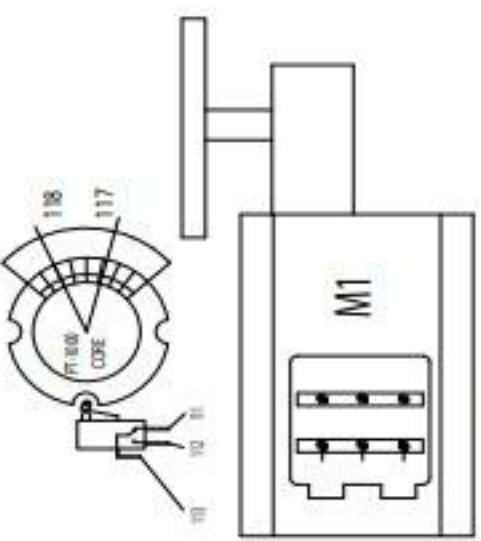


USE ONLY 18 AWG OR SMALLER CONDUCTING WIRES

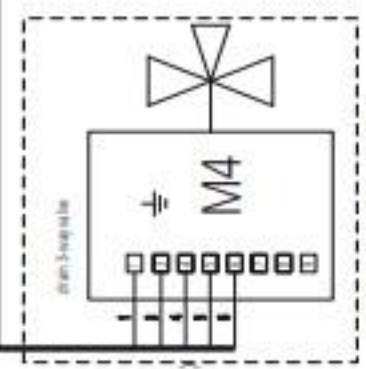
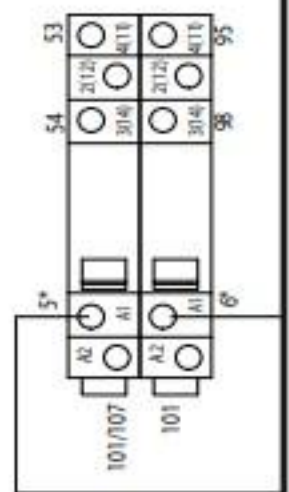
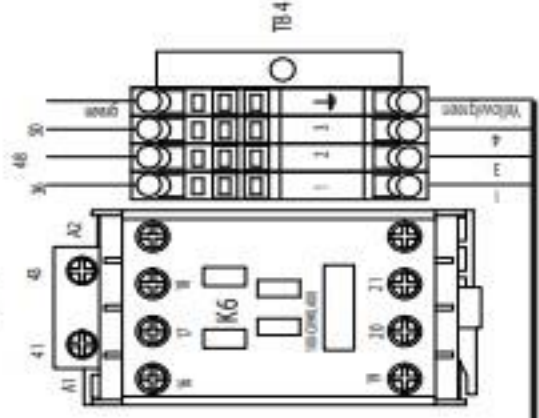
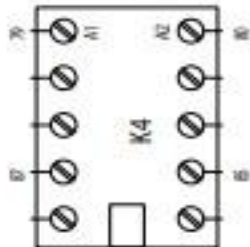
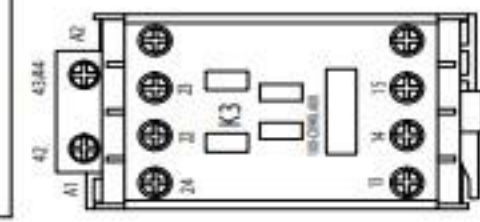
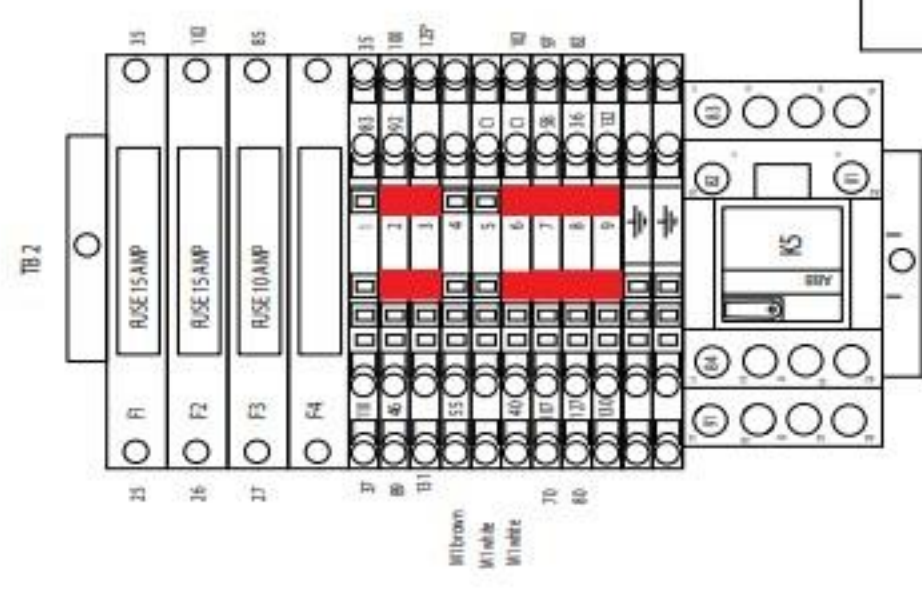
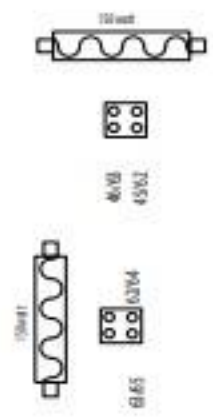
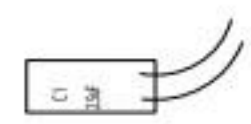
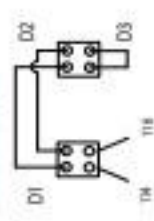




- upper element
- Ⓚ E1a - 21
 - Ⓚ E1b - 22
 - Ⓚ E1c - 24
 - Ⓚ E1e - 28
 - Ⓚ E1b - 29
 - Ⓚ E1a - 30

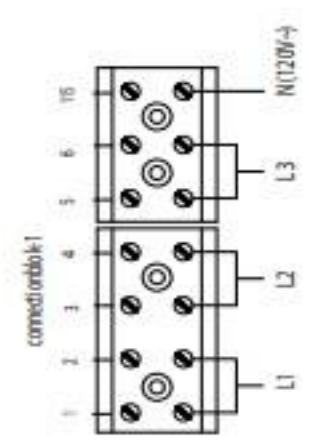
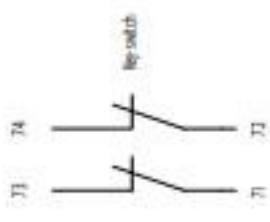
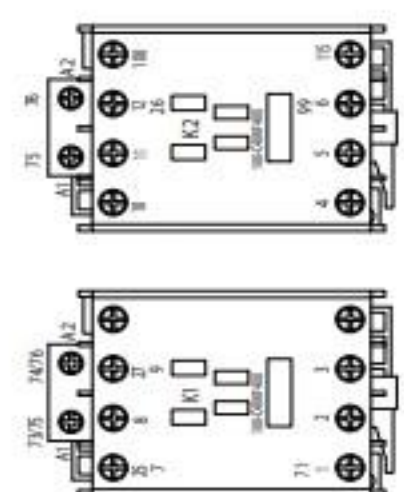
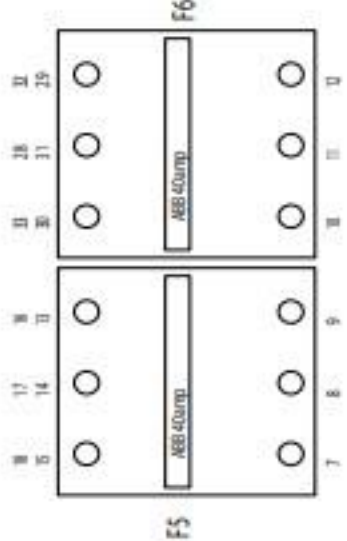
- lower element
- Ⓚ E2a - 21
 - Ⓚ E2b - 22
 - Ⓚ E2c - 23
 - Ⓚ E2c - 21
 - Ⓚ E2b - 20
 - Ⓚ E2a - 19

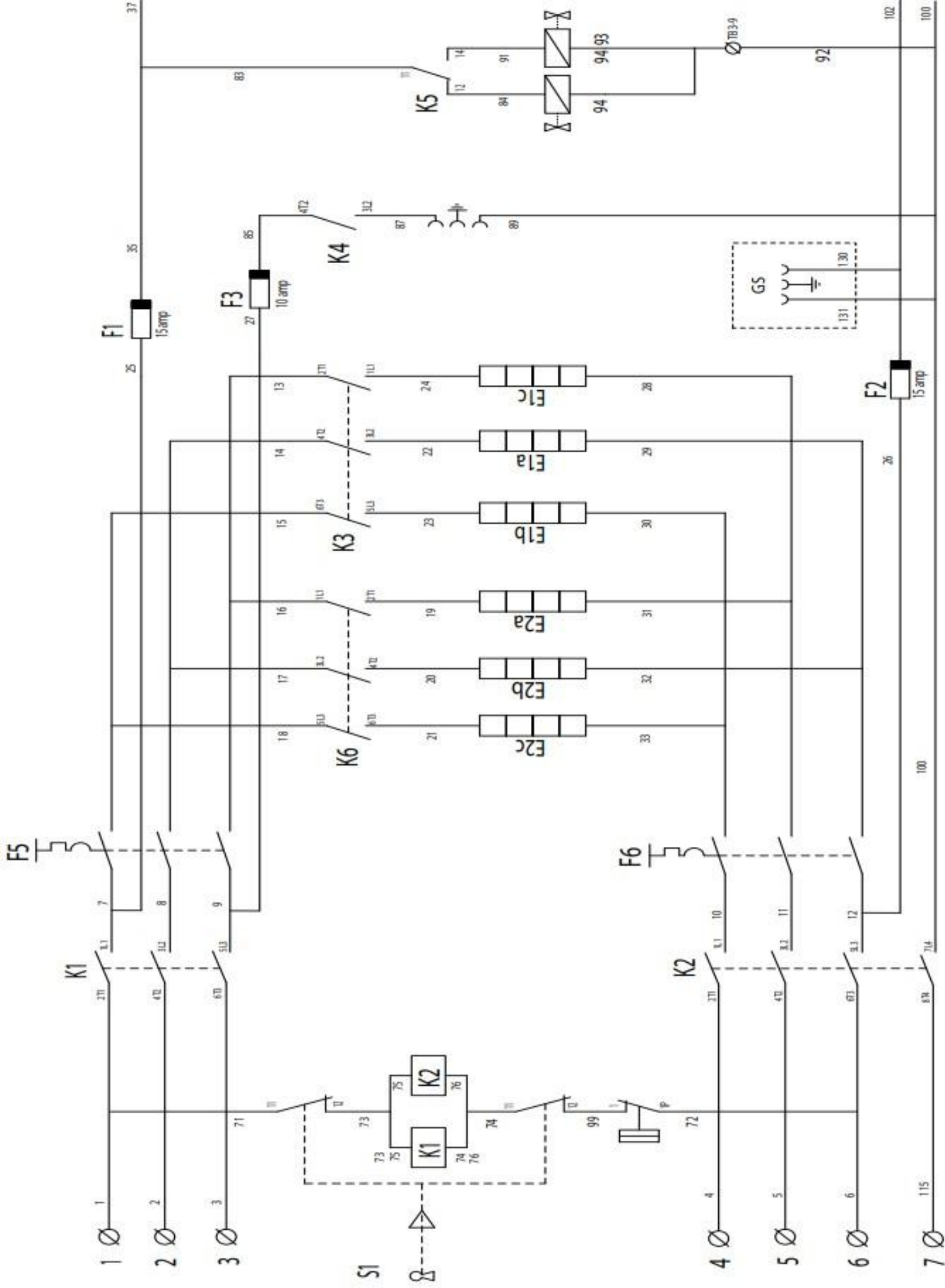
No wire contact on door post



In GC only (grease collector)

op het paneel p.v.zak





GREASE SEPARATOR
 COMPRESSOR
 Tap water
 Filtered water

Air Valve

Temperature sensors

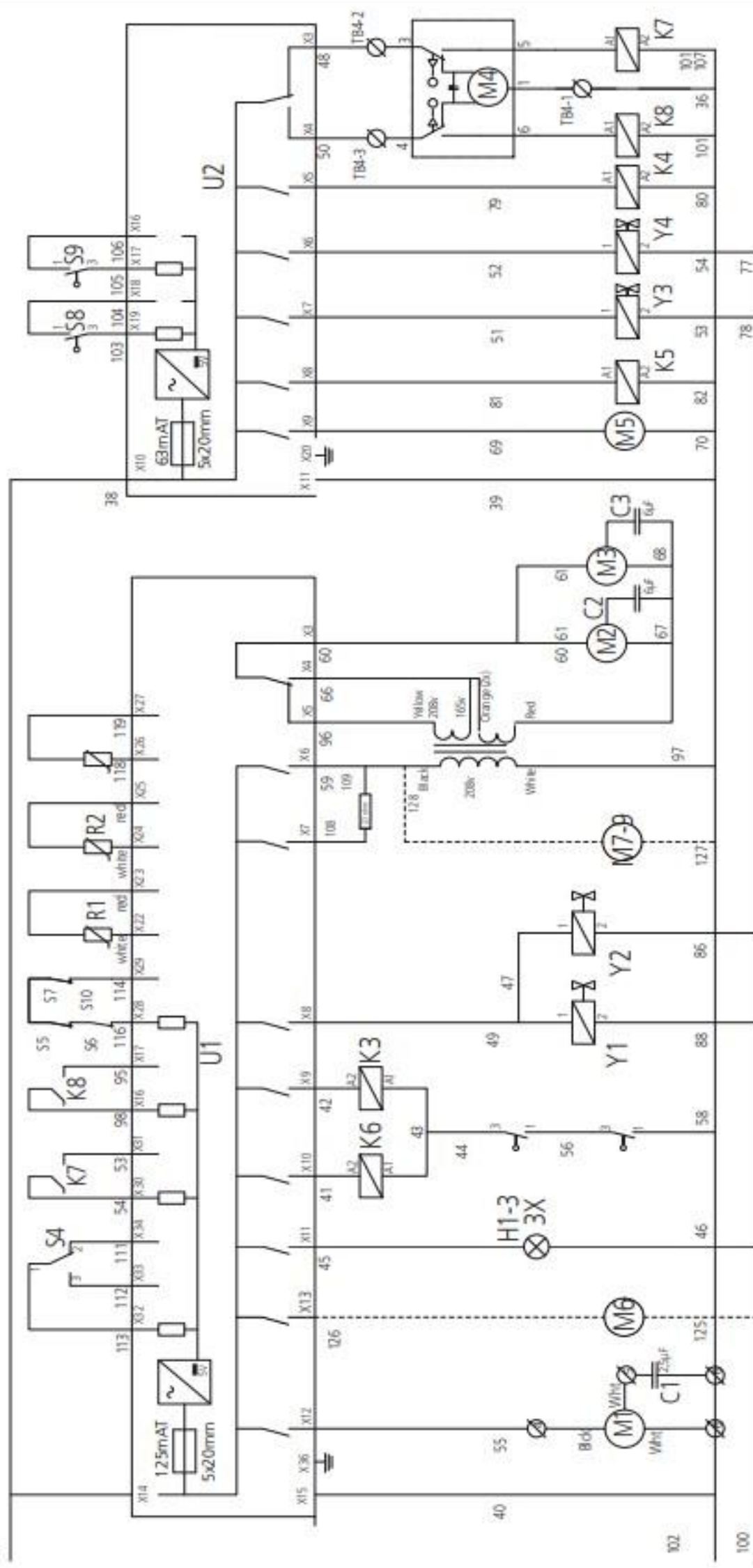
Door switches (reed contacts)

drain cleaning pos.

drain cooking pos.

Rotor Position

upper lower core probe



drain valve

Air Water inlet Solenoid valves compressor cleaning cooking
 (air valve) choose rinse water pos.
 center side post

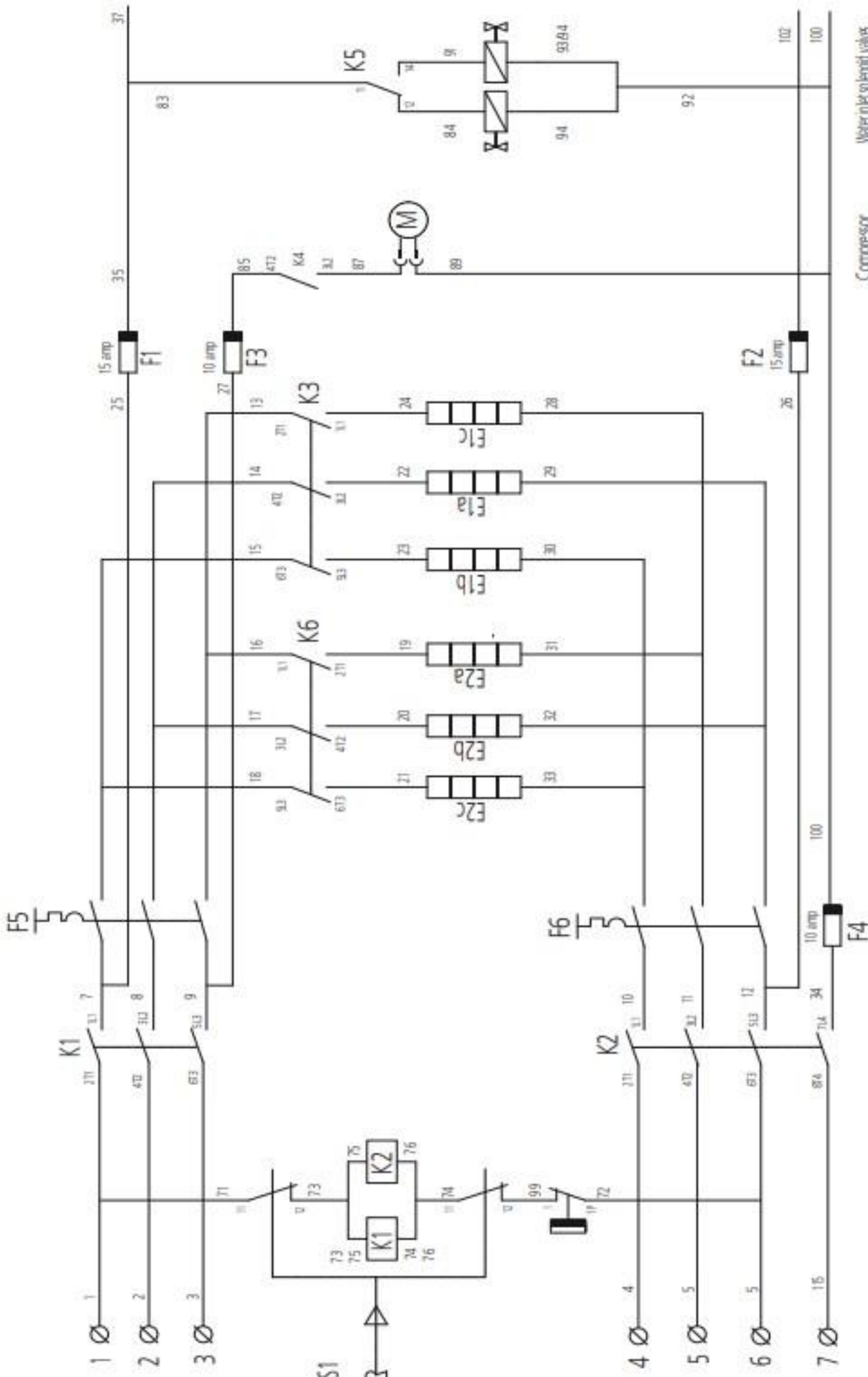
REV	DATE	BY	CHK	DESCRIPTION
M	21.05.2011			Condensator
K	12.11.2009			condensator

Cross diagram 3A, 35A, 108 V
 Multivolt
 100%

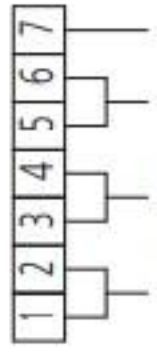
REV	DATE	BY	CHK	DESCRIPTION
M	21.05.2011			Condensator
K	12.11.2009			condensator

Dubel 64x42x12 L
 4878 4422 ml 48
 1.2.5
 0.02.2007
 4878 4422 ml 48
 1.2.5
 0.02.2007

37 100



Compressor
Water inlet solenoid valves
Tap water Filtered water



3 X 208 V

REVIZIA	DATA	CONTINUTUL
M	21.05.2011	COMPLETARE
K	12.11.2009	SCHEMATIZARE

PROIECTANT	VERIFICATOR	APROBATOR
M. A. ROȘU	M. A. ROȘU	M. A. ROȘU

PROIECT	PROIECTANT	VERIFICATOR	APROBATOR
COMPLETARE	M. A. ROȘU	M. A. ROȘU	M. A. ROȘU

PROIECTANT	VERIFICATOR	APROBATOR
M. A. ROȘU	M. A. ROȘU	M. A. ROȘU

PROIECTANT	VERIFICATOR	APROBATOR
M. A. ROȘU	M. A. ROȘU	M. A. ROȘU

PROIECTANT	VERIFICATOR	APROBATOR
M. A. ROȘU	M. A. ROȘU	M. A. ROȘU