

Frigidaire

Factory Parts Catalog

Product No.	FEC26C2ACD	FEC26C2AQD	FEC26C2ASD
	38054111510C4	3805411151044	3805411151014
Series	26" elec	26" elec	26" elec
Color	stainless	bisque	white
Market	North America	North America	North America
Wiring Diagram	318046901	318046901	318046901
Owner's Guide	318200612	318200612	318200612
Installation Instructions	318201410	318201410	318201410

 **Electrolux**

ELECTROLUX HOME PRODUCTS, INC.
P.O. Box 212378, Augusta, GA 30917

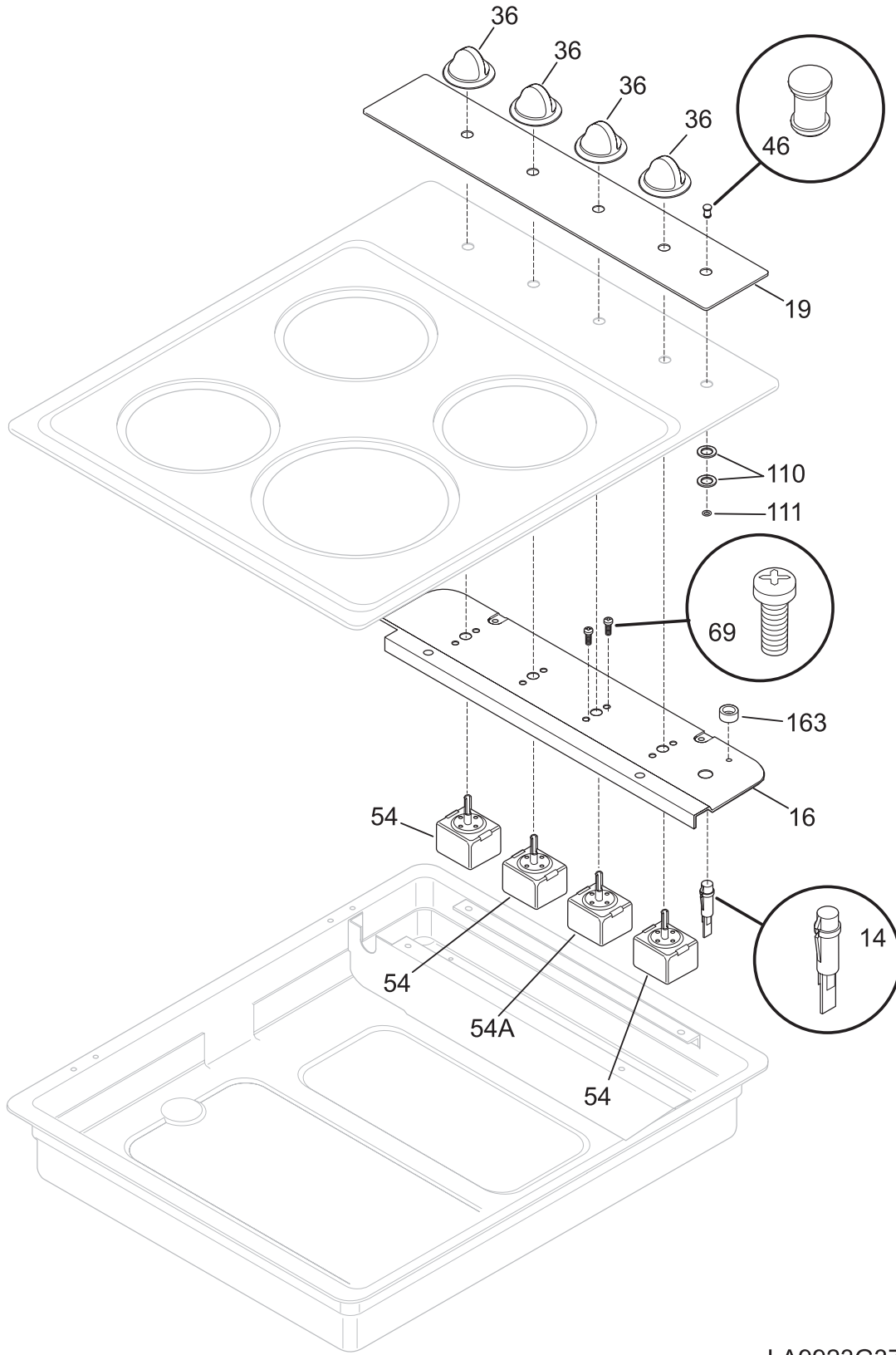
Publication No.
5995403028
04/02/02
(EN/SERVICE/ECL)
377

**ELECTRIC COOK-TOP
RANGE**

Model No.
FEC26C2A

Copyright © 2004 Electrolux Home Products, Inc.
All rights reserved.

CONTROL PANEL



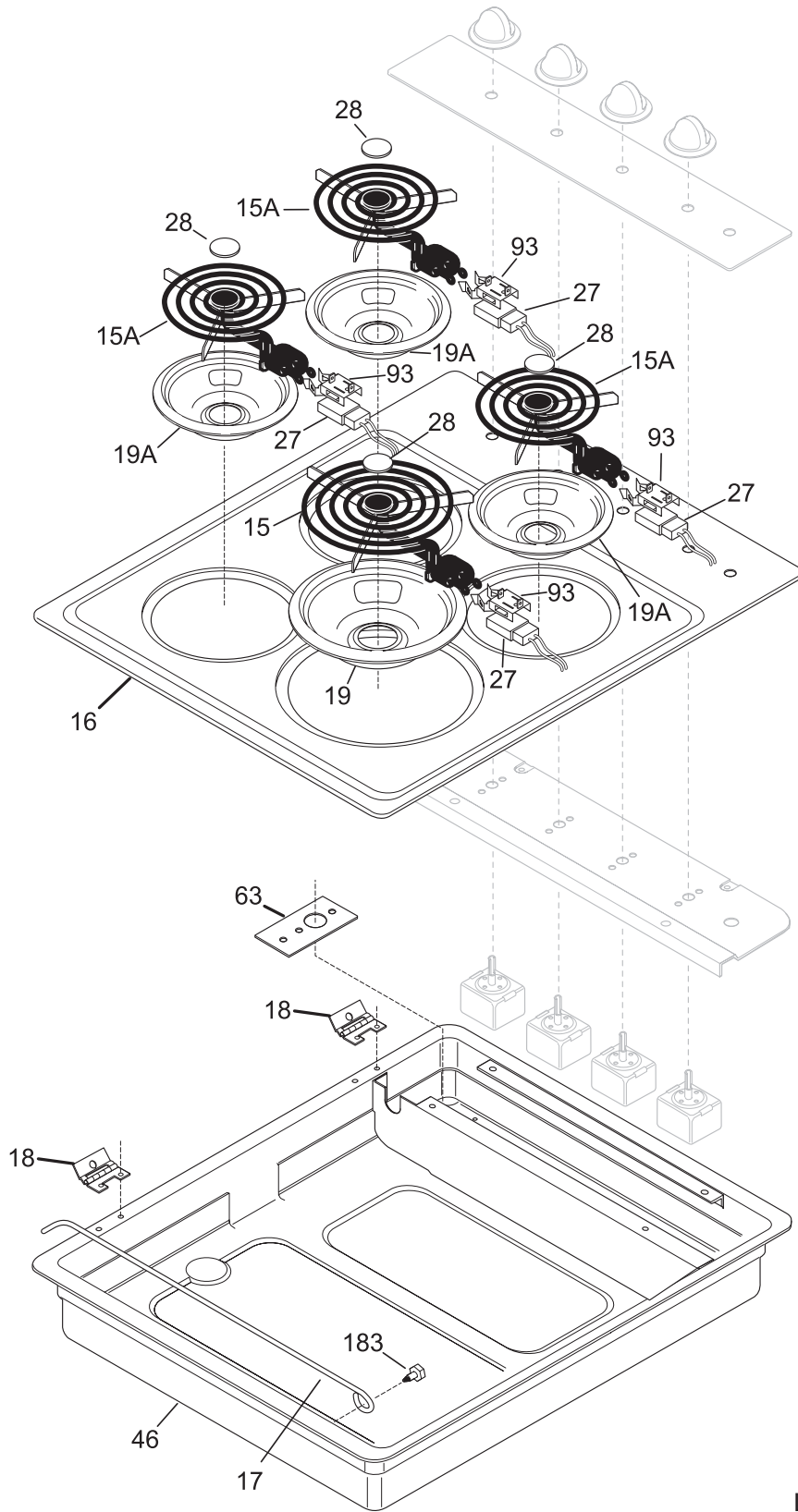
LA9923G37B

CONTROL PANEL

Model Index: A FEC26C2A (FEC26C2ASD)
 B FEC26C2A (FEC26C2ACD)
 C FEC26C2A (FEC26C2AQD)

POS. NO	PART NO.		DESCRIPTION
14 #	318044822	A B C	Light, indicator, clear
16	5303291992	A B C	Plate, instrument mtg
19	318242500	A - -	Panel, control, white
19	318242502	- B -	Panel, control, black
19	318242501	- - C	Panel, control, bisque
36	318196633	A - -	Knob, control, white
36	318196634	- B -	Knob, control, black
36	318196635	- - C	Knob, control, bisque
46	5303297274	A B C	Lens, indicator light
54 #	318220009	A B C	Switch, surface unit, small
54A#	318220010	A B C	Switch, surface unit, large
*	318146010	A B C	Bushing, switch
69	5303323134	A B C	Screw, switch mtg., 8-32 x 0.188
110	5303324191	A B C	Washer, flat
111	5303272289	A B C	Seal, indicator light
163	318014100	A B C	Spacer
*	3051070	A B C	Screw, hex washer head, 10-24 x 0.438, special
*	5303311306	A B C	Screw, 8-18 x 0.375
*	5303323140	A B C	Screw, ground, 10-32 x 0.375
*	5304410665	A B C	Screw, 10-32 x 5/8

MAIN TOP/SURFACE UNITS



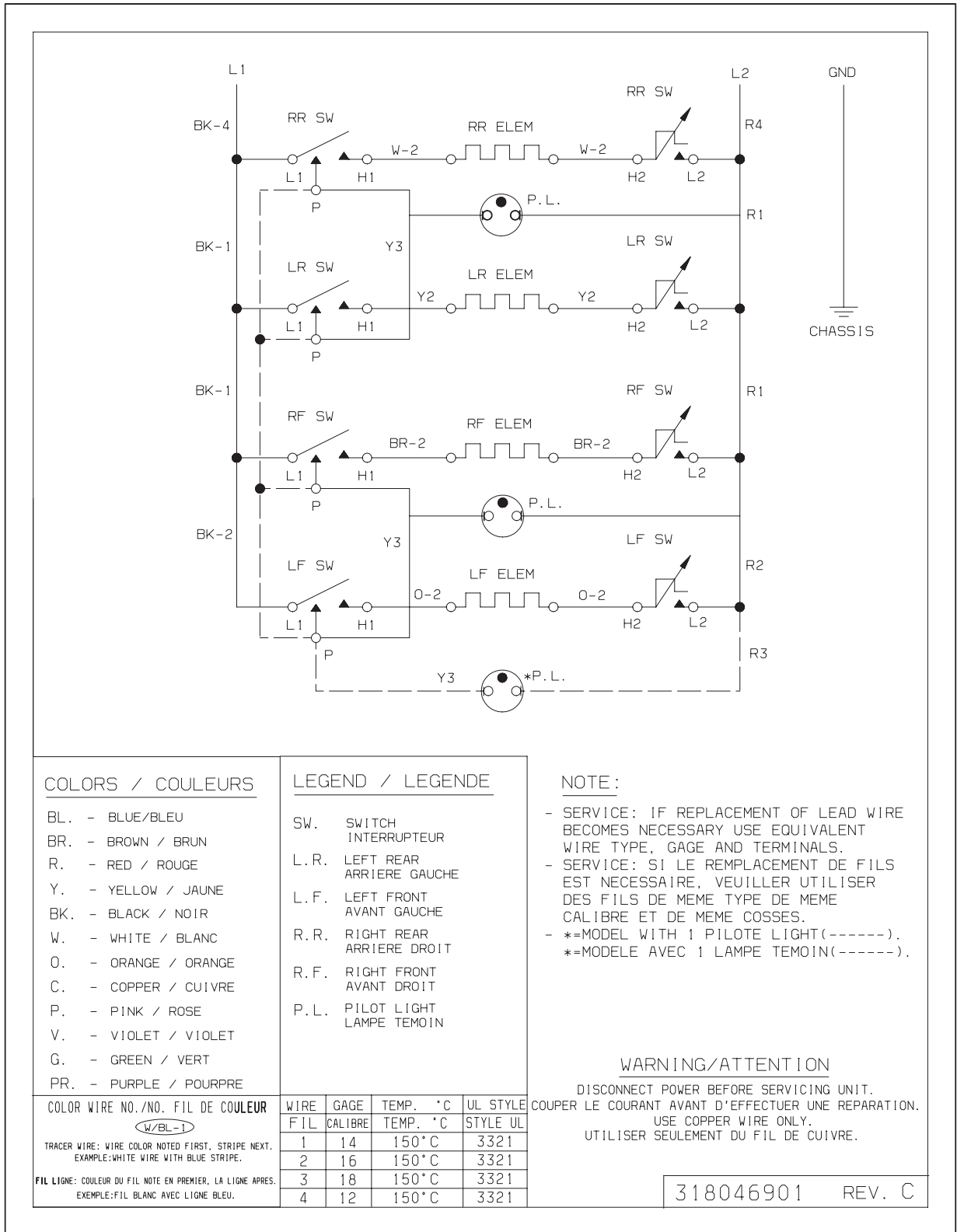
LA9923V38

MAIN TOP/SURFACE UNITS

Model Index: A FEC26C2A (FEC26C2ASD)
 B FEC26C2A (FEC26C2ACD)
 C FEC26C2A (FEC26C2AQD)

POS. NO	PART NO.		DESCRIPTION
15 #	3051450	A B C	Element, surface, 8" large
15A#	3051449	A B C	Element, surface, 6" small
16	318159005	A - -	Main Top, white
16	318159002	- B -	Main Top, stainless
16	318159050	- - C	Main Top, bisque
17	3016817	A B C	Rod, maintop support
18	318074310	A B C	Hinge, maintop, (2)
19 #	318067056	A B C	Pan, surface element, large, chrome
19A#	318067046	A B C	Pan, surface element, small, chrome
27 #	318223409	A B C	Terminal Block, surface element, 24", yellow leads
27 #	318223422	A B C	Terminal Block, surface element, 18", white leads
27 #	318223423	A B C	Terminal Block, surface element, 36", brown leads
27 #	318223424	A B C	Terminal Block, surface element, 36", orange leads
28	5303017715	A B C	Medallion, 1 1/2" dia, black, surface element
46	318077312	A B C	Burner Box
63	5303291326	A B C	Plate, grounding
93	5303304731	A B C	Bracket, terminal block
183	5304410665	A B C	Screw, 10-32 x 5/8
* #	318078532	A B C	Box & wires assy
*	08067961	A B C	Fastener, clip cable
*	08016432	A B C	Screw, truss head, 8-18 x 0.375
*	5303300195	A B C	Screw, 10-32 x 0.375, terminal block, (2)

WIRING DIAGRAM



COLORS / COULEURS

- BL. - BLUE/BLEU
- BR. - BROWN / BRUN
- R. - RED / ROUGE
- Y. - YELLOW / JAUNE
- BK. - BLACK / NOIR
- W. - WHITE / BLANC
- O. - ORANGE / ORANGE
- C. - COPPER / CUIVRE
- P. - PINK / ROSE
- V. - VIOLET / VIOLET
- G. - GREEN / VERT
- PR. - PURPLE / POURPRE

LEGEND / LEGENDE

- SW. SWITCH
INTERRUPTEUR
- L.R. LEFT REAR
ARRIERE GAUCHE
- L.F. LEFT FRONT
AVANT GAUCHE
- R.R. RIGHT REAR
ARRIERE DROIT
- R.F. RIGHT FRONT
AVANT DROIT
- P.L. PILOT LIGHT
LAMPE TEMOIN

NOTE :

- SERVICE: IF REPLACEMENT OF LEAD WIRE BECOMES NECESSARY USE EQUIVALENT WIRE TYPE, GAGE AND TERMINALS.
- SERVICE: SI LE REMPLACEMENT DE FILS EST NECESSAIRE, VEUILLEZ UTILISER DES FILS DE MEME TYPE DE MEME CALIBRE ET DE MEME COSSES.
- *MODEL WITH 1 PILOTE LIGHT(-----).
- *MODELE AVEC 1 LAMPE TEMOIN(-----).

WARNING/ATTENTION

DISCONNECT POWER BEFORE SERVICING UNIT.
COUPER LE COURANT AVANT D'EFFECTUER UNE REPARATION.
USE COPPER WIRE ONLY.
UTILISER SEULEMENT DU FIL DE CUIVRE.

COLOR WIRE NO./NO. FIL DE COULEUR	W/BK-1
TRACER WIRE: WIRE COLOR NOTED FIRST, STRIPE NEXT. EXEMPLE: WHITE WIRE WITH BLUE STRIPE.	
FIL LIGNE: COULEUR DU FIL NOTE EN PREMIER, LA LIGNE APRES. EXEMPLE: FIL BLANC AVEC LIGNE BLEU.	

WIRE FIL	GAGE CALIBRE	TEMP. °C	UL STYLE
1	14	150°C	3321
2	16	150°C	3321
3	18	150°C	3321
4	12	150°C	3321

318046901 REV. C