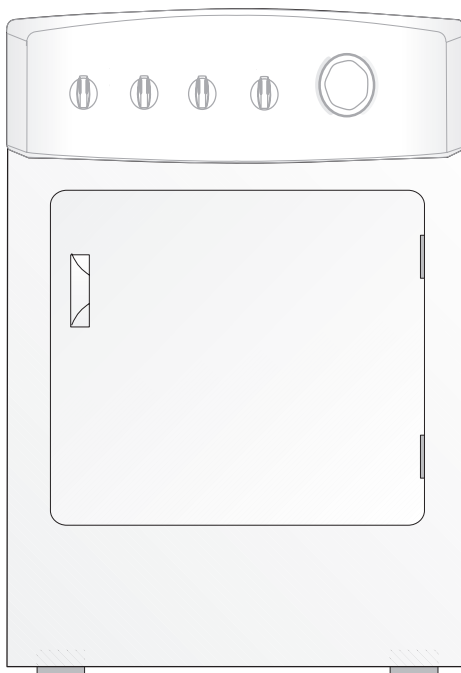


# FACTORY PARTS CATALOG DRYER

*Frigidaire*



PRODUCT NO.	BASE MODEL NO.	SERIES	COLOR	VOLTS
CRGR7900AS3	CRGR7900A	Frigidaire	white	120
<b>MARKET</b>				
North America				

**WIRING DIAGRAM - # 134067100**  
**OWNER'S GUIDE - # 131883500**  
**INSTALLATION INSTRUCTIONS - # 134296400**

**Electrolux**

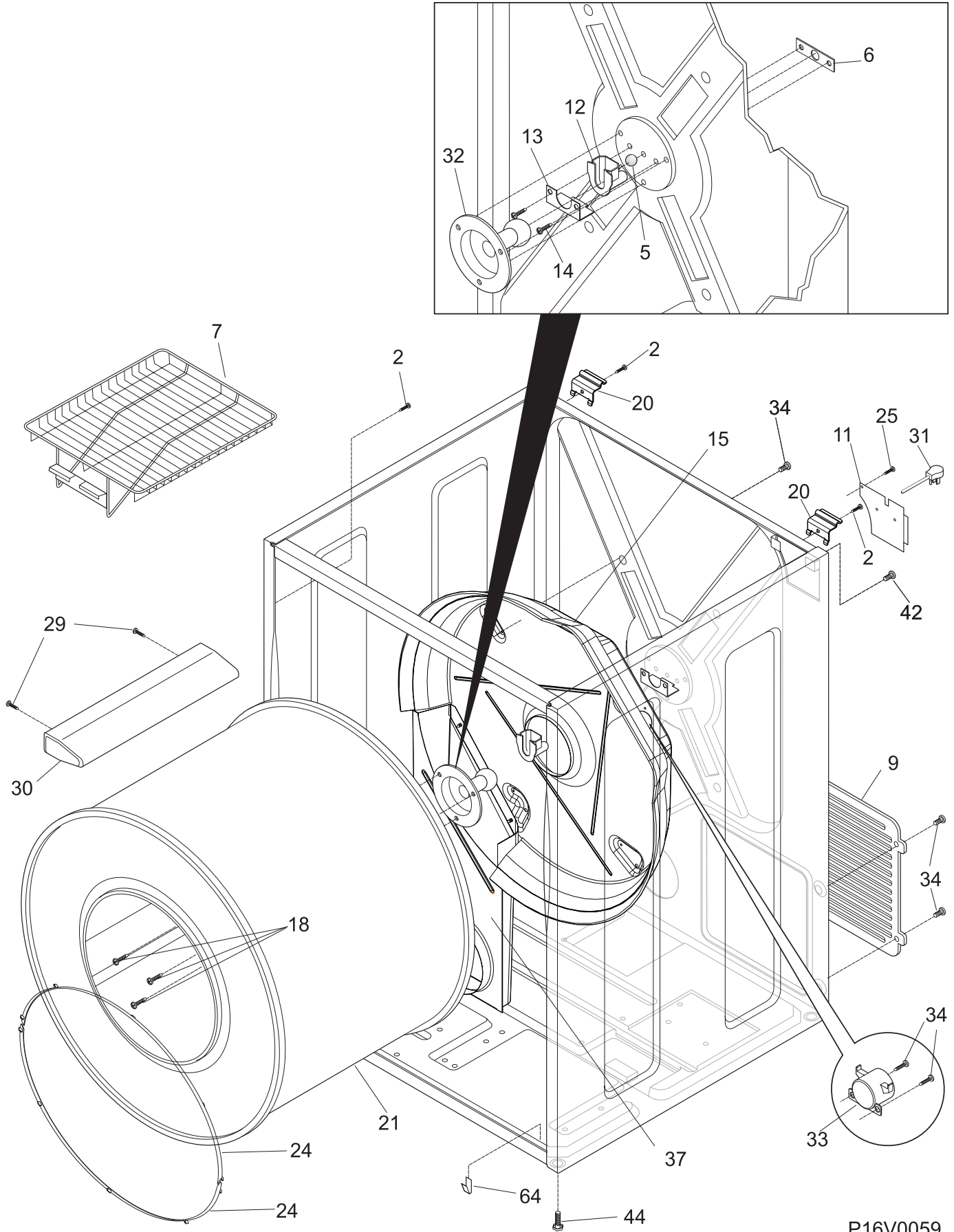
ELECTROLUX HOME PRODUCTS, INC.  
 P.O. BOX 212378, Augusta, GA 30917

Publication No.  
 5995398038  
 031030  
 -EN/SERVICE /KC  
 361

**GAS**  
**DRYER**  
  
**Model No.**  
**CRGR7900A**

©2003 Electrolux Home Products, Inc.  
 All rights reserved

CABINET/DRUM

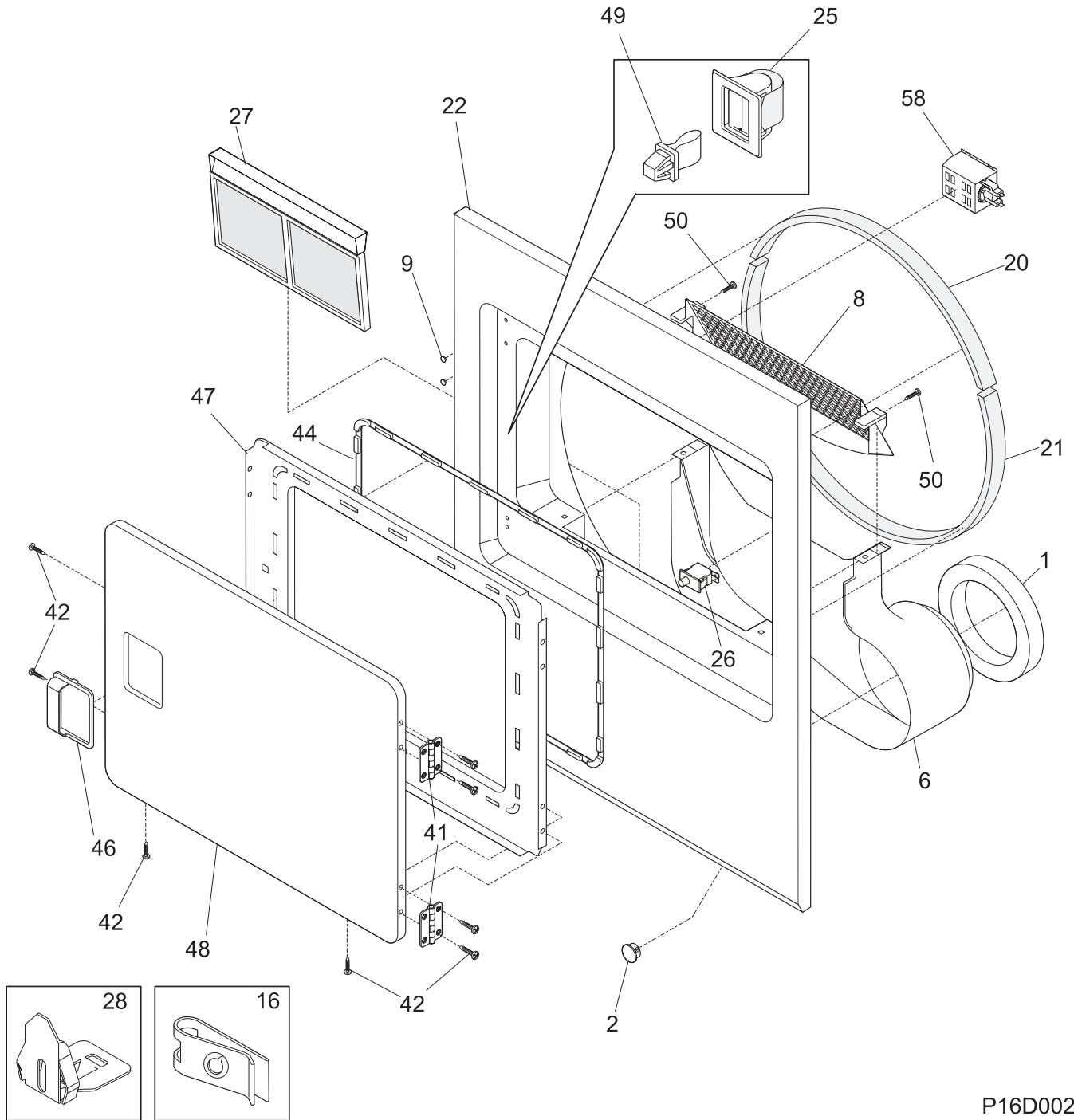


P16V0059

## CABINET/DRUM

POS. NO	PART NO	DESCRIPTION
2	131168200	Screw,pan head ,8-18B x 0.31
5	5303281019	Ball
6	5303281020	Clip,ball ,steel ,flat nut
7	134121200	Rack,drying
9	131793201	Panel,access ,rear
11	131363200	Cover,terminal block
* #	134101400	Terminal Block,main
12	131825900	Bearing,drum support
13	131724300	Bracket,bearing support
14	131205400	Screw,bracket mtg. ,10-16B x 1.375 ,cr/sq drive
15 #	131600500	Housing,gas heater assy ,w/seal
18	131477000	Screw,10-16AB x 0.375
20	131469100	Bracket,hinge ,rear ,top panel mtg.
21	134122532	Drum,dryer ,galvanized stl. ,service kit
24	131963900	Glide,drum
25	5303015671	Screw,hex washer head ,8-18 x 0.375 ,cup point
29	131382300	Screw,quadrex head ,10-14 x 1.00 ,vane mtg.,special
30	5303201200	Vane,straight
31 #	134102200	Power Cord,electric svce
32	131777700	Shaft,drum support ,ballhitch
32*	5303307893	Lubricant,high temp
33 #	5308015399	Thermostat,safety
34	131243700	Screw,pan head ,8-18AB x 0.375 ,cr/sq drive
37	131952100	Duct,heat
42	134154100	Screw,hex washer head ,10-32 x 0.375 ,ground
44	134158000	Leveling Leg,screw
64	131704600	Clip
* #	5303281153	Rear Bearing Kit,includes 5,6 ,12,13,14,18,32

FRONT PANEL/LINT FILTER

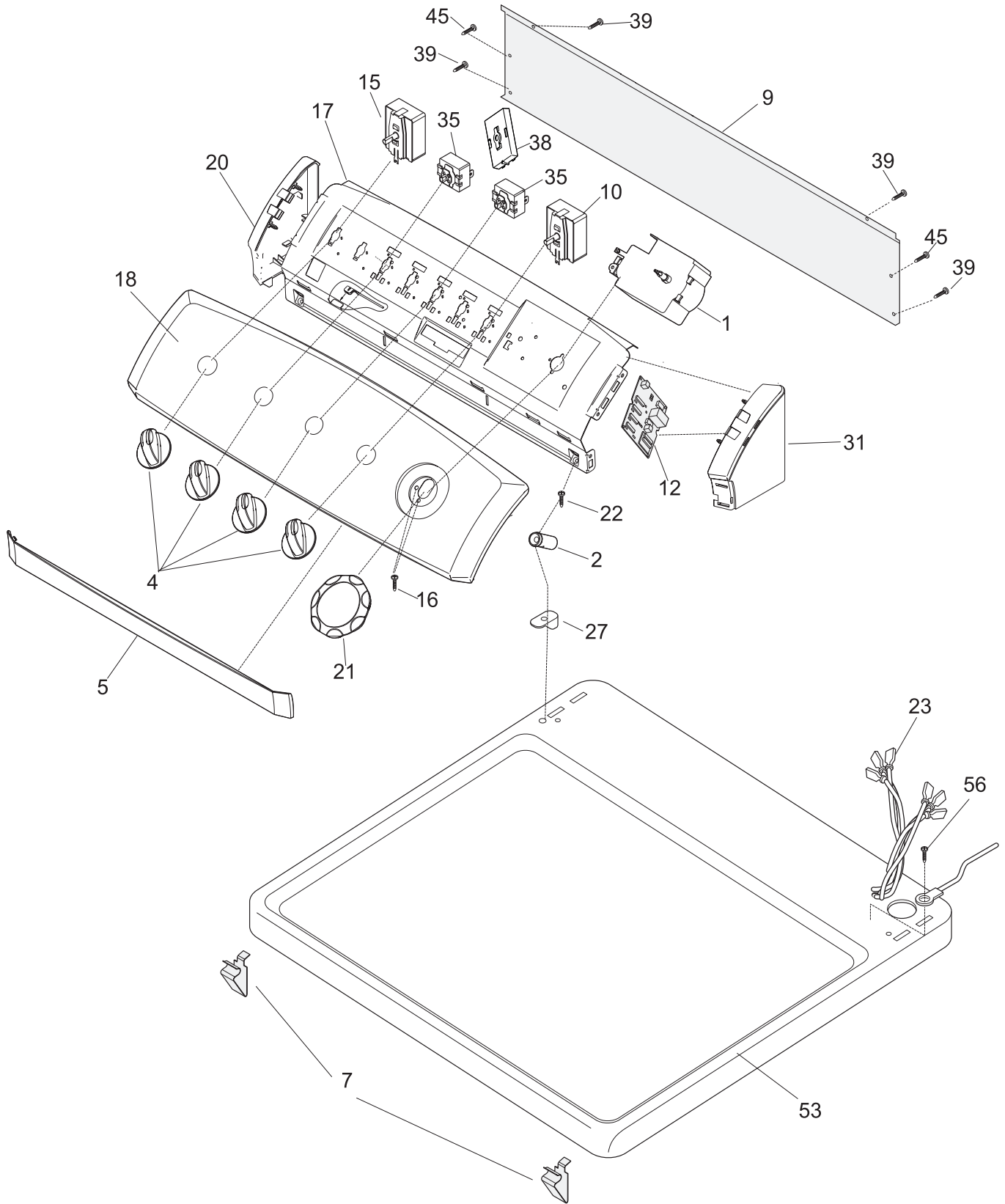


P16D0025

## FRONT PANEL/LINT FILTER

POS. NO	PART NO	DESCRIPTION
1	134063300	Seal,air duct
2	131397000	Plug,dome ,white
6	131621900	Duct,air
8 #	131845800	Cover,lint housing ,w/moist sensor
8* #	131846600	• Wiring Harness,sensor & light
9	131633200	Plug,white
16	131063700	Clip,wiring
20	134036400	Seal,felt ,upper
*	5308027429	Adhesive,high temp
21	134134700	Seal,felt ,lower
22	131845912	Panel,front ,white ,w/light hole
22*	131474700	Insulation
25	131658800	Door Catch
26 #	131843101	Switch,door ,with drum light
27	131450300	Trap,lint blade assy
28	5303281074	Clip,guide ,(3)
41	131627500	Hinge,door
42	131209600	Screw,flat head ,8-18AB x 0.44 ,cr/sq drive
44	131129900	Gasket,door seal
46	131644700	Handle,door ,white
47	131844104	Panel,inner door ,white
48	131789303	Panel,outer door ,white
49	5303211430	Door Strike
50	131303300	Screw,pan head ,10-16AB x 0.500 ,locking
58 #	131843500	Lamp Assy,drum light ,w/mtg bracket
58*#	131862800	• Lamp

CONTROLS/TOP PANEL

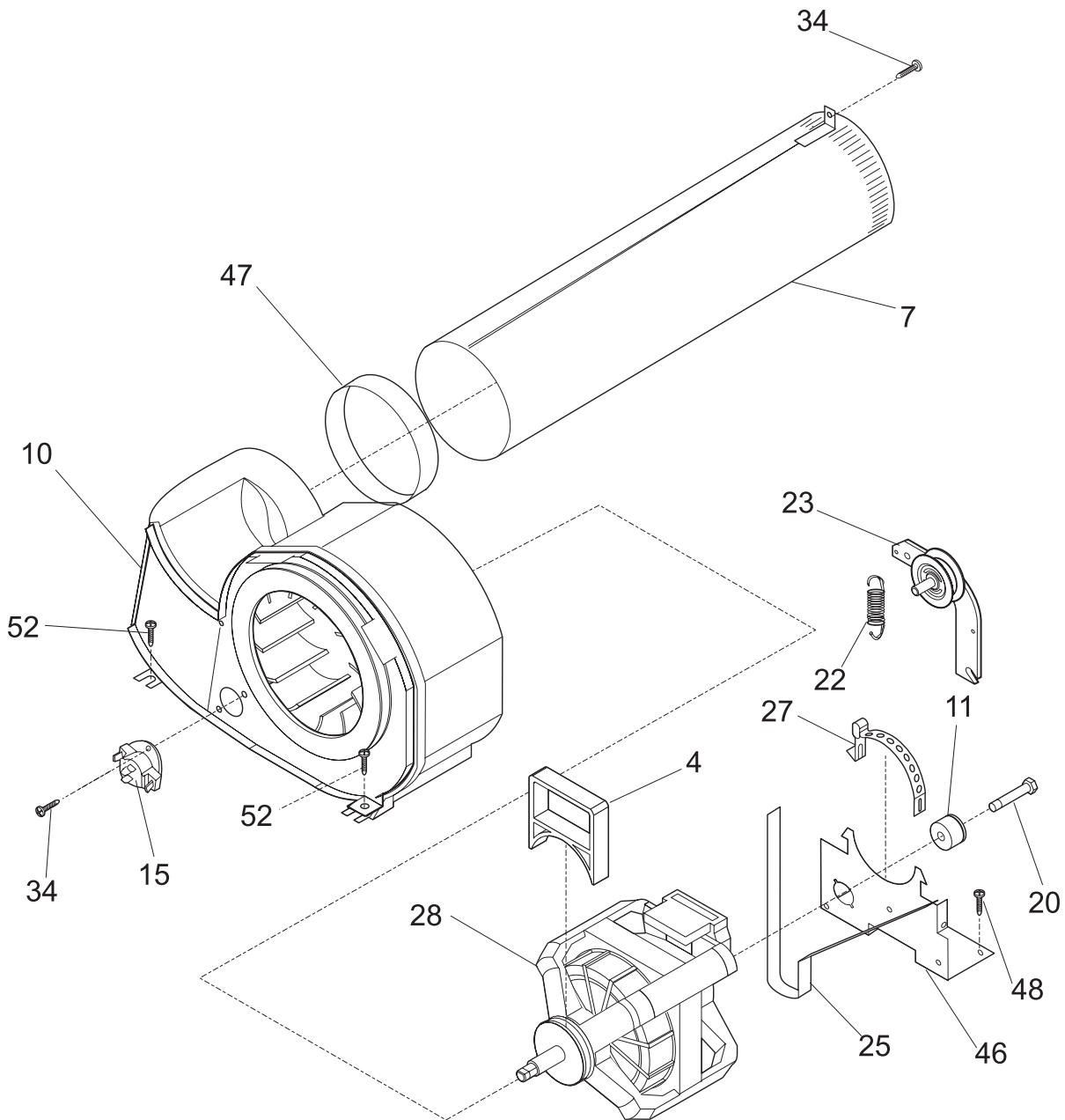


P16C0211

## CONTROLS/TOP PANEL

POS. NO	PART NO	DESCRIPTION
1 #	131930600	Timer
2	134096100	Spacer,console mtg
4	134034900	Knob,rotary ,white
5	134019900	Closure,console trim ,white ,front
7	3205821	Clip,top-to-front
9	131992900	Panel,backsheet ,console
10 #	131447800	Switch,start ,turn type
12 #	134216300	Control Board,moisture sensor
15 #	131641900	Switch,temperature ,4 posn rotary
16	134034300	Screw,pan hd phillips ,8-18B x 0.250
17	131993010	Bracket,control mtg.
18	134155600	Panel,trimplate ,console front
20	134019610	End Cap,white ,LH
21	134035500	Knob,timer ,white/gray
22	131266330	Screw,8-18 x 1.250
23 #	134134000	Wiring Harness
27	131197000	Clip,console mtg
31	134019600	End Cap,white ,RH
35 #	131243200	Switch,temp/buz/xrinse ,2 position
38 #	131959200	Beeper,continuous ,low tone
39	131168200	Screw,pan head ,8-18B x 0.31
45	131205100	Screw,#8 pan head ,10-10B x 0.500 ,cr/sq drive
53	134086802	Panel,dryer top ,white ,console mtg
56	131243800	Screw,pan hd locking ,8-32CA x 0.375 ,cup point

MOTOR

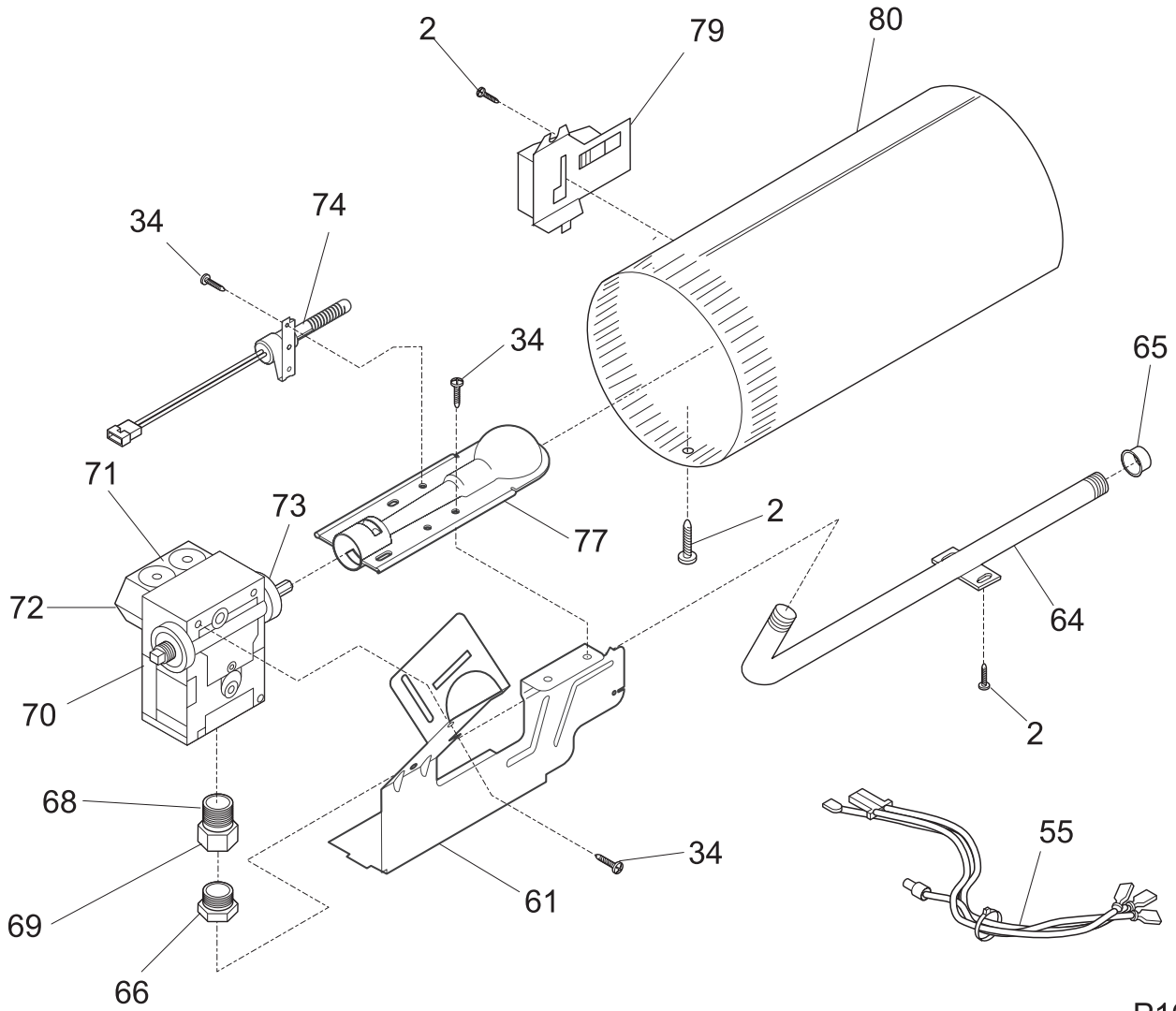


P16M0024

## MOTOR

POS. NO	PART NO	DESCRIPTION
4	131435200	Lock,blower housing
7	131451600	Tube,exhaust ,rear ,w/mtg bracket
7*	131456800	Tube,exhaust ,side/bottom ,Optional Kit
10 #	131775600	Housing,blower assy ,cover & wheel
11	131749800	Spacer,idler
15 #	134048900	Thermostat,control
20	131017900	Screw,hex head ,1/4-20T x 1.25 ,spacer mtg.,thread cutting
22	131601000	Spring,idler arm
23 #	131863000	Idler Arm
25 #	134163400	Belt,dryer
27	134242400	Clamp,motor mtg.
28 #	131560100	Motor,main drive ,w/pulley
34	131243700	Screw,pan head ,8-18AB x 0.375 ,cr/sq drive
46	134203400	Bracket,motor mtg
47	131633300	Seal,exhaust tube
48	131168200	Screw,pan head ,8-18B x 0.31
52	131303100	Screw,hex washer head ,10-16AB x 0.625

BURNER



P16B0015

## BURNER

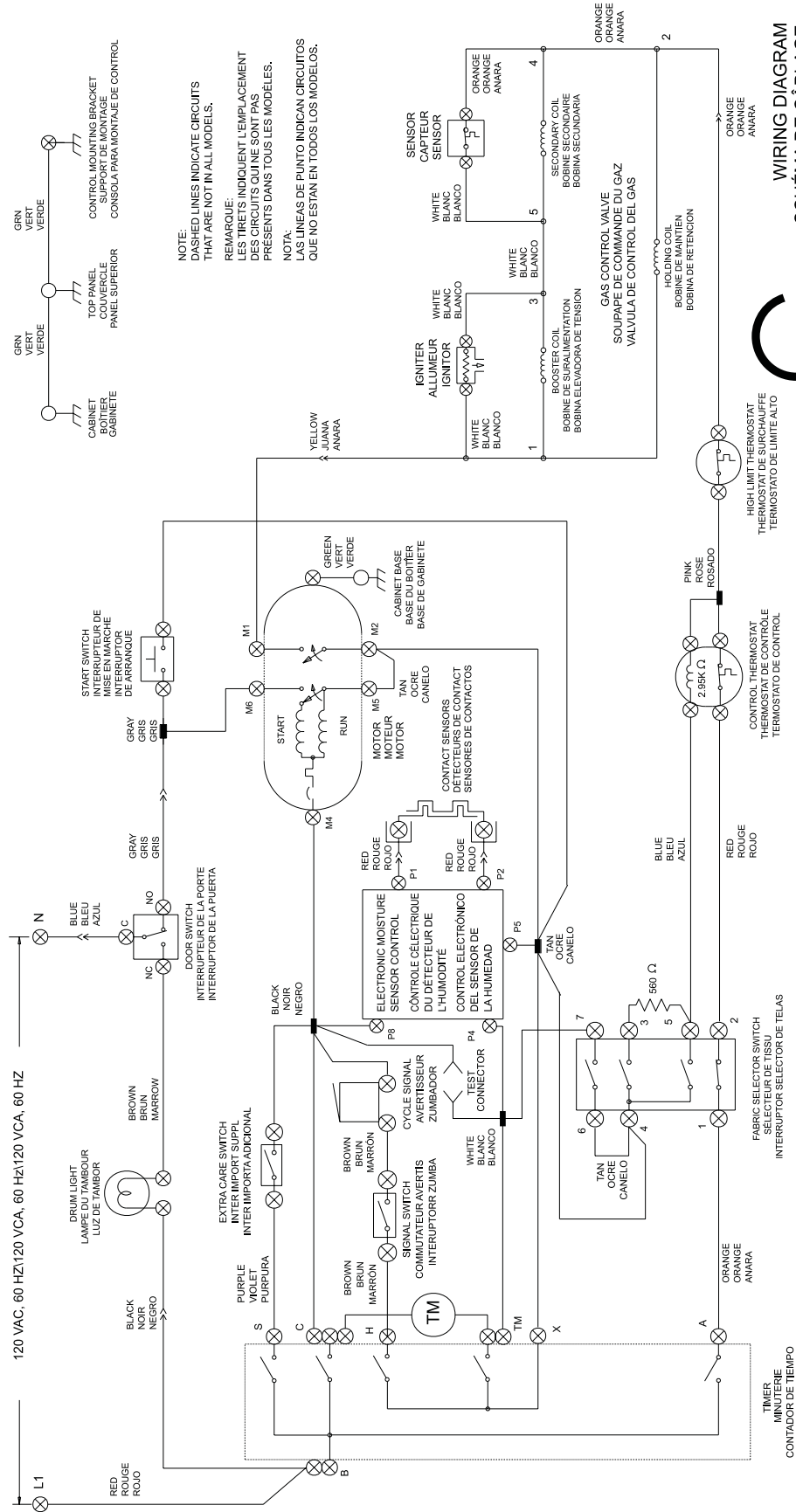
POS. NO	PART NO	DESCRIPTION
2	131168200	Screw,pan head ,8-18B x 0.31
34	131243700	Screw,pan head ,8-18AB x 0.375 ,cr/sq drive
55 #	134264700	Wiring Harness,gas valve
61	134122000	Bracket,burner mtg
64	134144900	Pipe,gas ,right angle
65	08015112	Cap,pipe
66	134128700	Bushing,coupler
68	134185100	Tail Piece,coupling
69 #	5308015194	Union,hex nut
70 #	5303207409	Valve,gas
71 #	5303307291	Coil,secondary
72 #	5303307292	Coil,booster
73 #	5303207410	Orifice,natural gas ,size 44
74 #	134192000	Ignitor Assy
77 #	134197700	Burner Assy
79 #	5303281135	Sensor,radiant
80 #	134200801	Tube,burner ,riveted
* #	134315100	LP Conversion Kit,natural to LP

WIRING DIAGRAM

! CAUTION: DISCONNECT ELECTRIC CURRENT BEFORE SERVICING. LABEL ALL WIRES PRIOR TO DISCONNECTION WHEN SERVICING CONTROLS. WIRING ERRORS CAN CAUSE IMPROPER AND DANGEROUS OPERATION. VERIFY PROPER OPERATION AFTER SERVICING.

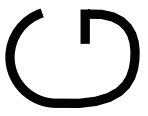
! ATTENTION: LORS DES OPÉRATIONS D'ENTRETIEN DES COMMANDES, ÉTIQUETER TOUS LES FILS AVANT DE LES DÉCONNECTER. TOUTE ERREUR DE CÂBLAGE PEUT DÊTRE UNE SOURCE DE DANGER ET DE PANNE. S'ASSURER QUE L'APPAREIL FONCTIONNE ADÉQUATEMENT UNE FOIS L'ENTRETIEN TERMINE.

! ATENCION: CUANDO SE REPARAN LOS CONTROLES, MARQUE TODOS CABLES CON ETIQUETAS ANTES DE DESCONECTARLOS. CUALQUIER ERRORES DE CABLEADO PUEDEN CAUSAR LA OPERACION INADECUADA Y PELIGROSA. ASEGÚRESE DE QUE LA SECADORA FUNCIONE ADECUADAMENTE DESPUÉS DE REPARARLA.



NOTE: DASHED LINES INDICATE CIRCUITS THAT ARE NOT IN ALL MODELS.  
REMARQUE: LES TRACES INDICANT L'EMPLACEMENT DES CIRCUITS QUI NE SONT PAS PRÉSENTS DANS TOUS LES MODÈLES.  
NOTA: LAS LINEAS DE PUNTO INDICAN CIRCUITOS QUE NO ESTÁN EN TODOS LOS MODELOS.

WIRING DIAGRAM  
SCHEMA DE CÂBLAGE  
DIAGRAMA DE CONEXIONES  
134067100



WIRING DIAGRAM

WIRING DIAGRAM  
SCHEMA DE CÂBLAGE  
DIAGRAMA DE CONEXIONES  
134067100



A 1 O 2 VECEZ EN ESTA AREA  
B 5 A 7 VECEZ EN ESTA AREA

A 1 OU 2 FOIS DANS CETTE SECTION  
B DE 5 À 7 FOIS DANS CETTE SECTION

A 1 OR 2 TIMES IN THIS AREA  
B 5 TO 7 TIMES IN THIS AREA

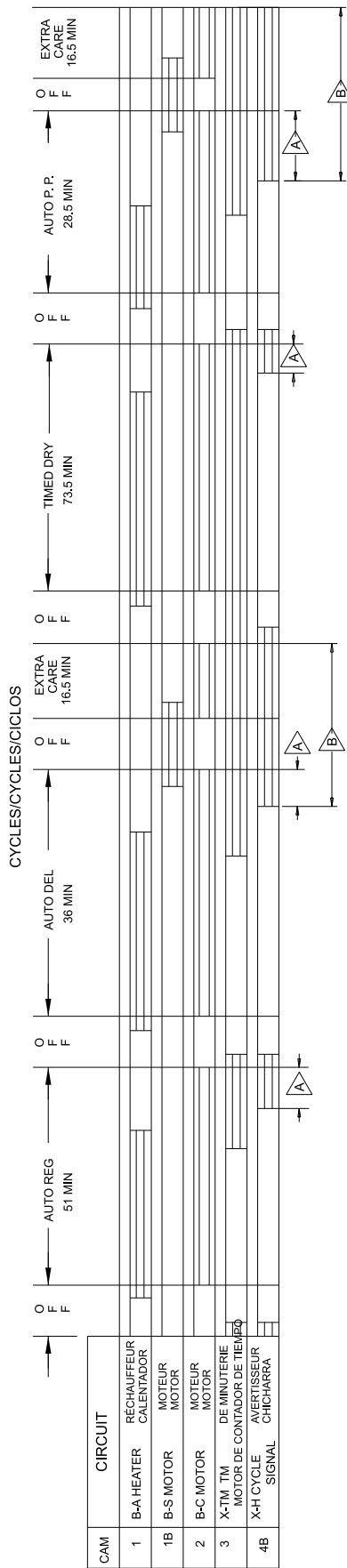
FABRIC SELECTOR SWITCH BOUTON DE SELECTION DU TISSU INTERRUPTOR SELECTOR DE TELAS		CIRCUIT CIRCUIT CIRCUITO	
FUNCTION	FUNCTION	1-2	4-5
REGULAR	REGULIER	X	
MEDIUM	MOYEN	X	X
LOW	FABLE	X	X
AIR FLUFF	DUVETAGE		
	ESPONNADO CON AIRE		X

WIRING CODES	CODES DE CÂBLAGE	CODIGOS DE ALAMBRADOS
⊗ QUICK DISCONNECT TERMINAL CONNECTION	BORNE À DEBRANCHEMENT RAPIDE CONNEXION	TERMINAL DE DESCONEXION RAPIDA CONEXION
⊕ NO CONNECTION	AUCUNE CONNEXION	SIN CONEXION
⊖ MOTOR SWITCH	INTERRUPTEUR DU MOTEUR	INTERRUPTOR DEL MOTOR
⊚ SPLICE	EPISSURE	EMPALME
⊚ MOTOR PROTECTOR	PROTECTEUR DU MOTEUR	PROTECTOR DEL MOTOR
⊚ CHASSIS (CABINET) GROUND	MISE À LA TERRE DU BOMBIER	PUESTA A TIERRA DEL CHASIS (GABINETE)
⊚ SCREW TERMINAL	BORNE À VIS	BORNE DE TORNILLO
⊚ HARNESS CONNECTOR TERMINAL	BORNE À CONNECTEUR DE HARNAIS	TERMINAL CONECTOR DE CONEXIONADO
⊚ INSULATED TERMINAL	BORNE OSOLÉE	TERMINAL AISLADO

NOTAS:  
1. ALL WIRING MUST CONFORM TO LOCAL ELECTRICAL CODES.  
2. CONNECT DRYER TO A 15 AMP INDIVIDUAL BRANCH CIRCUIT.  
3. TIMER SHOWN IN OFF POSITION, DOOR SWITCH CLOSED, MOTOR AT REST, THERMOSTAT CLOSED AND FABRIC SELECTOR SWITCH AT REGULAR.

REMARQUES:  
1. TOUT LE CÂBLAGE DOIT RESPECTER LES CODES DE L'ÉLECTRICITÉ LOCAUX.  
2. BRANCHER LA SÈCHEUSE À UNE DÉRIVATION DISTINCTE DE 15 AMPÈRES  
3. MINUTERIE ILLUSTRÉE EN POSITION FERMÉE, INTERRUPTEUR DE LA PORTE FERMÉE, MOTEUR ARRÊTÉ, THERMOSTAT FERMARRÊTÉ ET BOUTON DE SELECTION DU TISSU SUR RÈGULIER.

REMARKS:  
1. TODAS LAS INSTALACIONES ALAMBRICAS DEBEN CUMPLIR CON LOS CODIGOS ELECTRICOS LOCALES.  
2. CONECTAR LA SECADORA A UN CIRCUITO DE RAMAL INDIVIDUAL DE 15 AMPERIOS.  
3. EL CRONIZADOR SE MUESTRA EN POSICION APAGADO, EL INTERRUPTOR DE LA PUERTA CERRADO, EL MOTOR EN REPOSE, EL THERMOSTATO CERRADO Y EL INTERRUPTOR SELECTOR DE TELAS EN REGULAR.



BAR CHART ABOVE REPRESENTS ONE COMPLETE REVOLUTION OF TIMER SHAFT.  
SHADED PORTION OF BAR CHART INDICATES THE PROPORTIONAL TIMES THAT INTERNAL TIMER CONTACTS ARE CLOSED.  
A PULSAR CAM, LOCATED NEXT TO THE BUZZER CAM AND ROTATING AT 12 REVOLUTIONS PER HOUR, ALLOWS CIRCUITS "X-H" TO CLOSE FOR 5 SECONDS (±3 SECONDS).  
LE DIAGRAMME SUR LA GAUCHE REPRÉSENTE UNE ROTATION COMPLÈTE DE L'ARBRE DE LA MINUTERIE.  
LA PARTIE OMBRÉE DU DIAGRAMME INDIQUE LE TEMPS RELATIF PENDANT LEQUEL LES CONTACTS INTERNES DE LA MINUTERIE SONT FERMÉS.  
UNE CAME D'IMPULSION SITUÉE À CÔTÉ DE LA CAME DE L'AVERTISSEUR ET TOURNANT À RAISON DE 12 TOURS À L'HEURE PERMET AU CIRCUIT «X-H» DE SE FERMER PENDANT 5 SECONDES (±3 SECONDES).  
EL GRAFICO DE BARRAS DE LA IZQUIERDA REPRESENTA UNA REVOLUCION COMPLETA DEL EJE DEL CRONIZADOR.  
LA PORCION SOMBRADA DEL GRAFICO DE BARRAS INDICA LOS TIEMPOS PROPORCIONALES QUE LOS CONTACTOS INTERNOS DEL CRONIZADOR ESTAN CERRADOS.  
UNA LEVA GENERADORA DE IMPULSOS, UBICADA JUNTO A LA LEVA DEL ZUMBADOR Y GIRANDO A 12 REVOLUCIONES POR HORA, PERMITE QUE EL CIRCUITO "X-H" SE CIERRE DURANTE 5 SEGUNDOS (±3 SEGUNDOS).