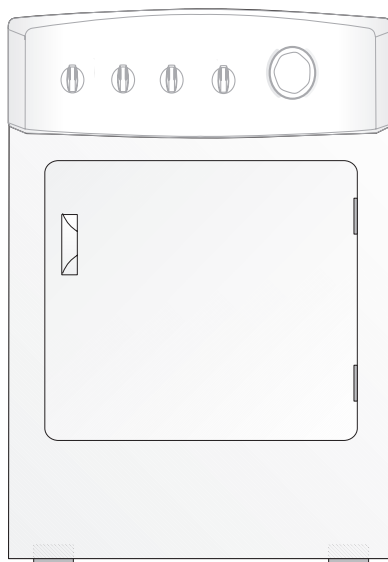


FACTORY PARTS CATALOG GAS DRYER

Frigidaire



| PRODUCT NO. | BASE MODEL NO. | COLOR |
|-------------|----------------|-------|
| CRGR7900AS0 | CRGR7900A | White |

WIRING DIAGRAM - # 134067100
OWNER'S GUIDE - # 131883500
OPERATING INSTRUCTIONS - # 134067700

 **Electrolux**

ELECTROLUX HOME PRODUCTS NORTH AMERICA
400 Des Moines St., Webster City IA 50595-1499

Publication No.
5995376026
020724
ENG/SERVICE/JAM
361

GAS - DRYER

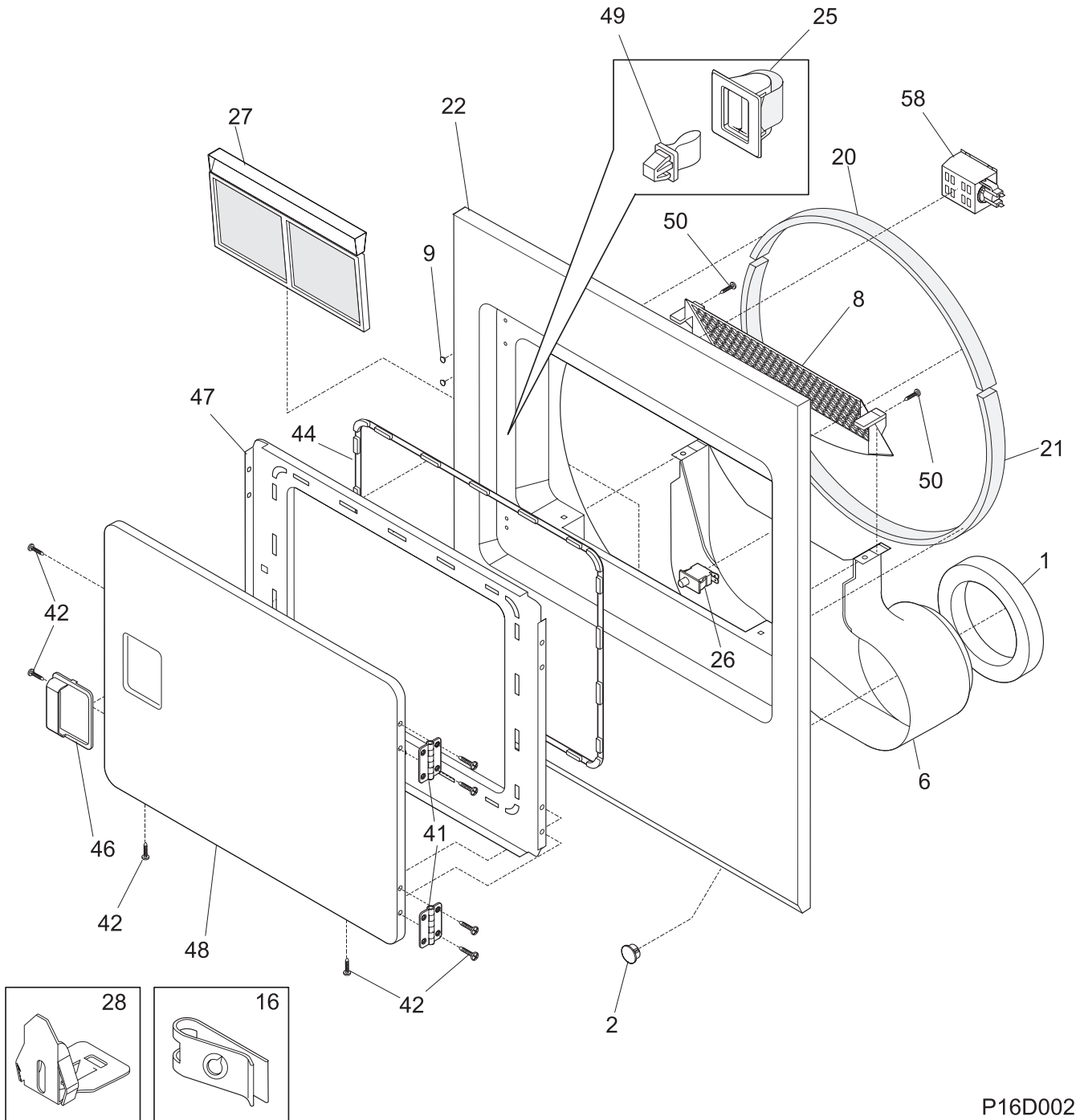
**Model No.
CRGR7900A**

©2002 White Consolidated Industries, Inc.
All rights reserved

CABINET/DRUM

| POS. NO | PART NO | DESCRIPTION |
|---------|------------|---|
| 2 | 131168200 | Screw, 8-18 x 0.31 |
| 5 | 5303281019 | Ball |
| 6 | 5303281020 | Clip-ball |
| 7 | 134121200 | Asmy-drying rack-dryer |
| 9 | 131793201 | Panel-access |
| 11 | 131363200 | Cover-term block |
| 12 | 131825900 | Bearing-drum support |
| 13 | 131724300 | Bracket-bearing |
| 14 | 131205400 | Screw-bracket, 10-16B x 1.375, cr/sq drive |
| 15 # | 131600500 | Asmy-heater |
| 18 | 131477000 | Screw-shaft & baffle, comb ph ab spcl, 10-16 x .375 |
| 20 | 131469100 | Bracket-hinge |
| 21 | 134122532 | Asmy-drum galvanized |
| 24 | 131963900 | Glide-drum |
| 25 | 5303015671 | Screw, 8-18 x .375 |
| 29 | 131382300 | Screw-vane, quadrex head, 10-14 x 1.00, special |
| 30 | 5303201200 | Vane |
| 31 # | 134102200 | Service cord-gas dryer (NOM) |
| 32 | 131777700 | Asmy-shaft (ballhitch) |
| 33 # | 5308015399 | Thermostat-safety |
| 34 | 131243700 | Screw, pan head, 8-18AB x 0.375, cr/sq drive |
| 37 | 131952100 | Duct-heat |
| 42 | 131301100 | Screw-ground cab, hex washer head, 10-32T x 0.375, serrated head |
| 44 | 131527400 | Leg-leveling |
| 64 | 131704600 | Clip |
| * # | 5303281153 | Rear Bearing Kit, includes #5, 6, 12, 13, 14, 18, 32 |
| * | 5303307893 | Lubricant, high temp |

FRONT PANEL/LINT FILTER

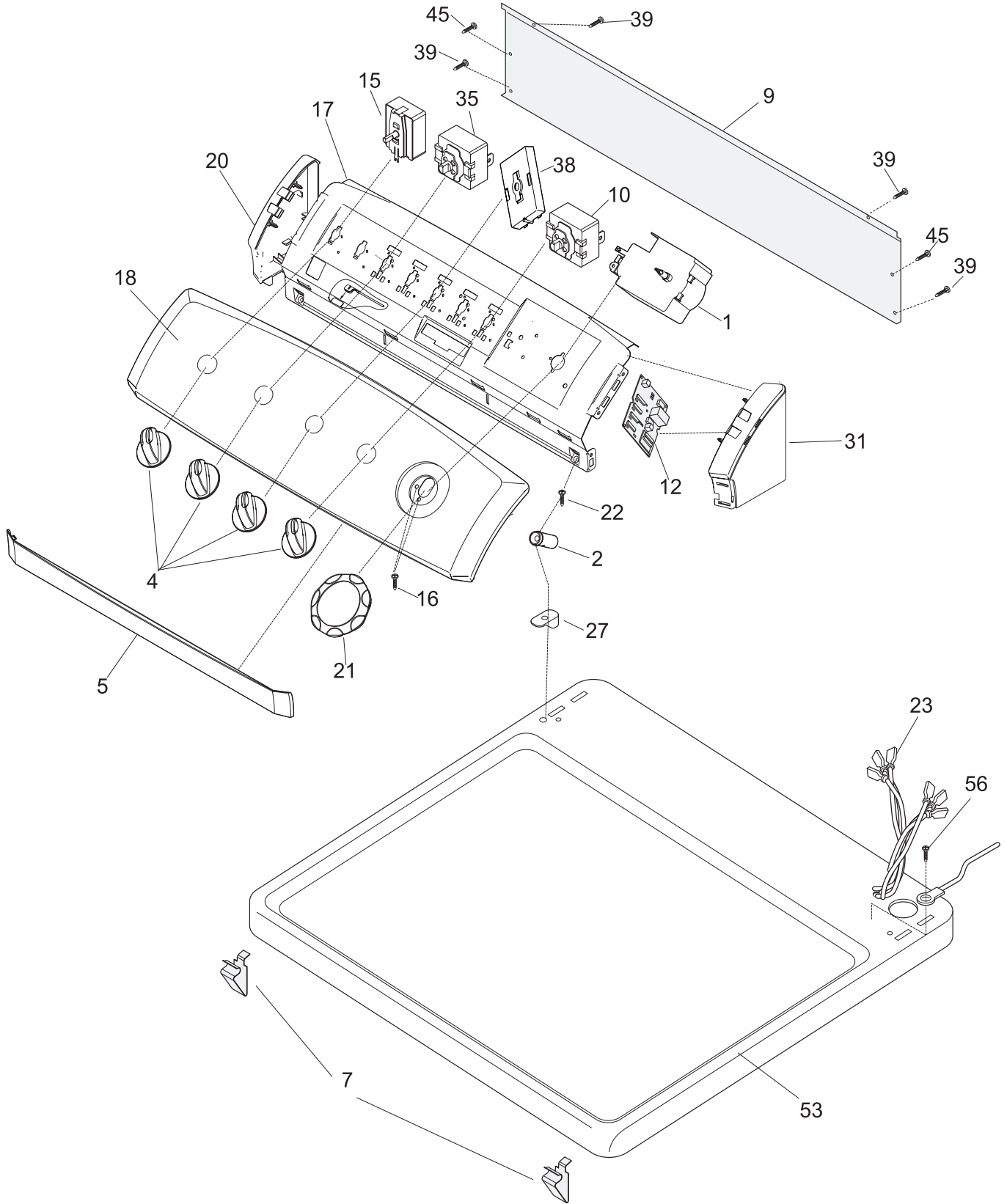


P16D0025

FRONT PANEL/LINT FILTER

| POS. NO | PART NO | DESCRIPTION |
|---------|------------|---|
| 1 | 134063300 | Seal-air duct 2.5# low perm |
| 2 | 131397000 | Plug-dome, white |
| 6 | 131621900 | Duct-air |
| 8 # | 131845800 | Sensor-moisture, assy w/harness |
| 9 | 131633200 | Plug, white |
| 16 | 131063700 | Clip-wiring |
| 20 | 134036400 | Felt-upper |
| 21 | 134134700 | Lower felt |
| 22 | 131845912 | Front panel w/lite wht |
| 25 | 131658800 | Catch-door |
| 26 | 131843101 | Switch-door w/drum light |
| 27 | 131450300 | Lint Trap |
| 28 | 5303281074 | Clip-guide (3) |
| 41 | 131627500 | Hinge-door |
| 42 | 131209600 | Screw, flat head, 8-18AB x 0.44, cr/sq drive |
| 44 | 131129900 | Gasket-door |
| 46 | 131644700 | Handle-door, white |
| 47 | 131844104 | Panel-inner door, white |
| 48 | 131789303 | Door-outer, white |
| 49 | 5303211430 | Strike-door |
| 50 | 131303300 | Screw-lock, ph ab, 10-16 x .50 |
| 58 # | 131843500 | Asmy-lamp |
| * # | 5308027429 | Adhesive, high temp |
| * | 131474700 | Insulation |

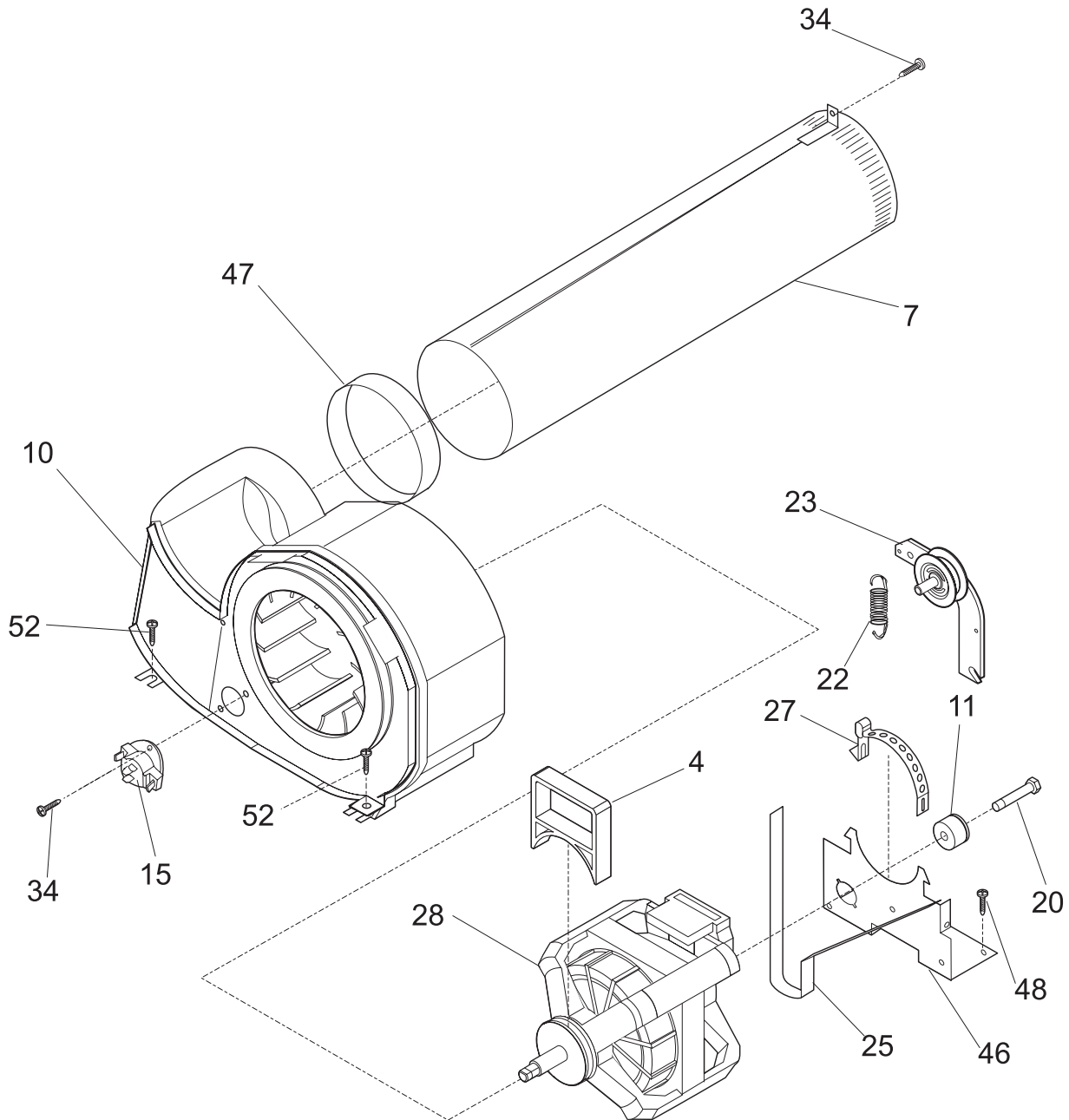
CONTROLS/TOP PANEL



P16C0211

CONTROLS/TOP PANEL

| POS. NO | PART NO | DESCRIPTION |
|---------|-----------|--|
| 1 # | 131930600 | Timer-dryer "T" |
| 2 | 134096100 | Spacer-console mounting |
| 4 | 134034900 | Knob-rotary-wht "Z" cons |
| 5 | 134019900 | Closure-front-wht "Z" cons |
| 7 | 3205821 | Clip-top panel to front panel |
| 9 | 131992900 | Backsheet "Z" cons-FSD/TAW |
| 10 # | 131447800 | Switch-start |
| 12 # | 131620200 | Control Board moisture sensor |
| 15 # | 131641900 | Switch-temperature |
| 16 | 134034300 | Screw |
| 17 | 131993010 | Brkt-cont mtg M520 |
| 18 | 134155600 | Trimplate FDE/B2TRHZ |
| 20 | 134019610 | End cap-LH-wht "Z" cons |
| 21 | 134035500 | Asmy-knob-timer-dry wht/gray |
| 22 | 131266300 | Screw-end cap, cr oval head, 8-18AB x 1.250, black |
| 23 # | 134134000 | Harness-FSD TRHZ gas |
| 27 | 131197000 | Clip-control panel |
| 31 | 134019600 | End cap-RH-wht "Z" cons |
| 35 # | 131243200 | Switch-2pos temp/bzr/xtra rins |
| 38 # | 131959200 | Beeper continuous low tone |
| 39 | 131168200 | Screw, 8-18 x 0.31 |
| 45 | 131205100 | Screw, #8 pan head, 10-10B x 0.50, cr/sq drive |
| 53 | 134086802 | Panel-top FS wht |
| 56 | 131243800 | Screw-brkt top, pan hd locking, 8-32CA x 0.375, cr/sq drive |



P16M0024

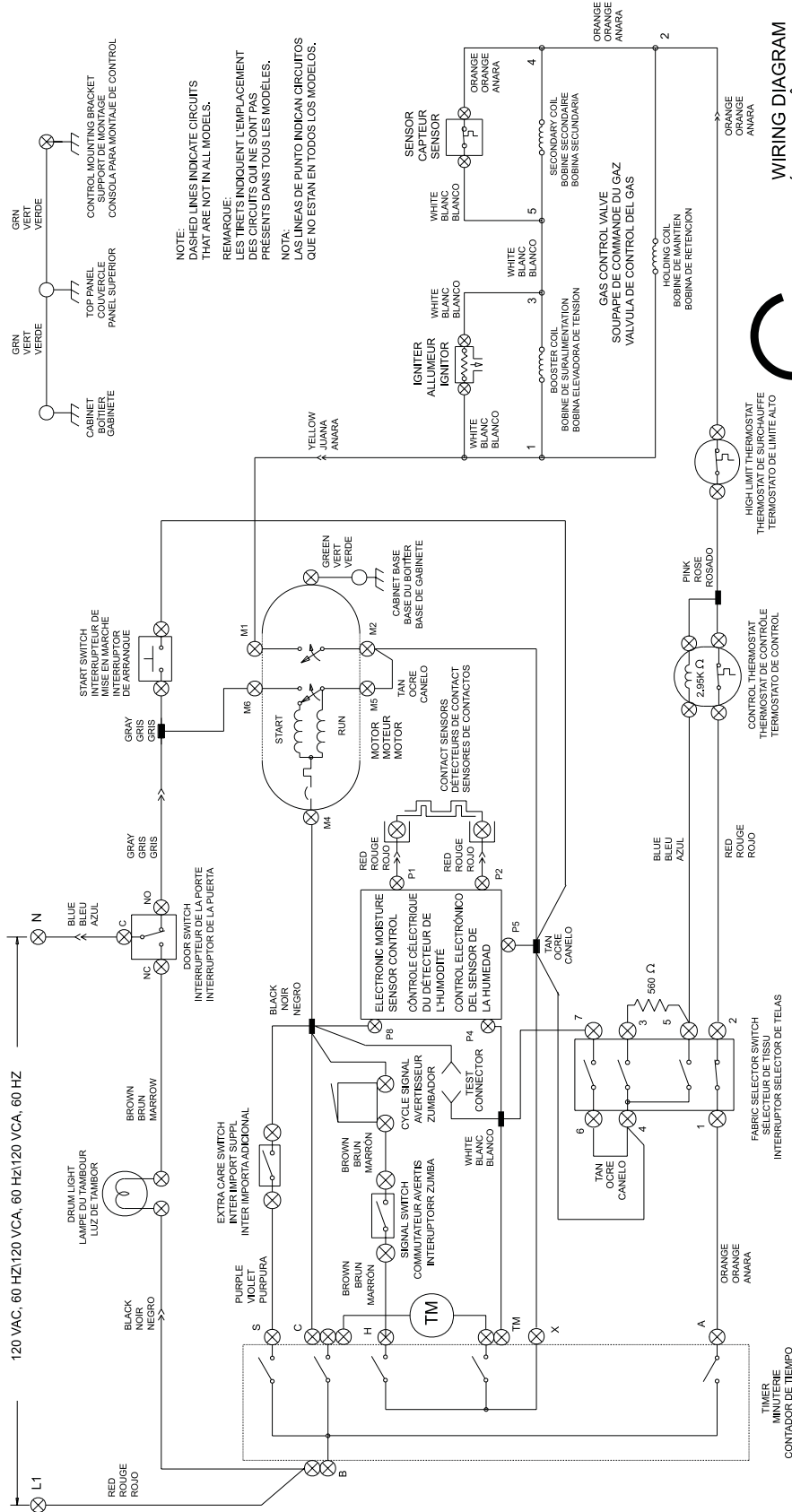
MOTOR

| POS. NO | PART NO | DESCRIPTION |
|---------|------------|---|
| 4 | 131435200 | Lock-fan housing |
| 7 | 131451600 | Tube-exhaust |
| 10 | 131775600 | Asmy-blwr hsg/cov/wheel |
| 11 | 131749800 | Spacer-idler |
| 15 # | 134048900 | Thermostat-cont-gas w/M.S. |
| 20 | 131017900 | Screw-spacer, hex head, 1/4-20T x 1.25, thread cutting |
| 22 | 131601000 | Spring-idler |
| 23 | 131863000 | Asmy-idler arm |
| 25 # | 5303283471 | Belt-dryer |
| 27 | 131419800 | Clamp-motor |
| 28 # | 131560100 | Motor-main, w/pulley |
| 34 | 131243700 | Screw, pan head, 8-18AB x 0.375, cr/sq drive |
| 46 | 131601100 | Bracket-motor |
| 47 | 131633300 | Seal-exhaust tube |
| 48 | 131168200 | Screw, 8-18 x 0.31 |
| 52 | 131303100 | Screw, hwhd ab, 10-16 x .625 |
| * | 131456800 | Tube Assy, exhaust |

BURNER

| POS. NO | PART NO | DESCRIPTION |
|---------|------------|---|
| 2 | 131168200 | Screw, 8-18 x 0.31 |
| 19 | 131715500 | Clip-igniter |
| 34 | 131243700 | Screw, pan head, 8-18AB x 0.375, cr/sq drive |
| 55 | 131827100 | Harness-gas valve |
| 61 | 131418701 | Bracket-burner |
| 64 | 134145300 | Pipe |
| 65 | 08015112 | Cap-pipe |
| 66 | 131512000 | Elbow-coupler |
| 68 | 5362791200 | Tail piece, brass |
| 69 | 08015194 | Nut-union, hex |
| 70 | 5303207409 | Valve-gas |
| 71 | 5303307291 | Coil-secondary |
| 72 | 5303307292 | Coil-booster |
| 73 | 5303207410 | Orifice, natural gas |
| 74 # | 5303281151 | Ignitor Assy |
| 77 | 131762900 | Assy-burner |
| 79 | 5303281135 | Sensor |
| 80 | 131904500 | Burner tube-riveted |
| * # | 131776600 | LP Conversion Kit |

- ! CAUTION: DISCONNECT ELECTRIC CURRENT BEFORE SERVICING. LABEL ALL WIRES PRIOR TO DISCONNECTION WHEN SERVICING CONTROLS. WIRING ERRORS CAN CAUSE IMPROPER AND DANGEROUS OPERATION. VERIFY PROPER OPERATION AFTER SERVICING.
- ! ATTENTION: LORS DES OPÉRATIONS D'ENTRETIEN DES COMMANDES, ÉTIQUETER TOUS LES FILS AVANT DE LES DÉCONNECTER. TOUTE ERREUR DE CÂBLAGE PEUT ÊTRE UNE SOURCE DE DANGER ET DE PANNE. S'ASSURER QUE L'APPAREIL FONCTIONNE ADÉQUATEMENT UNE FOIS L'ENTRETIEN TERMINÉ.
- ! ATENCION: CUANDO SE REPARAN LOS CONTROLES, MARQUE TODOS CABLES CON ETIQUETAS ANTES DE DESCONECTARLOS. CUALQUIER ERRORES DE CABLEADO PUEDEN CAUSAR LA OPERACIÓN INADECUADA Y PELIGROSA. ASEGÚRESE DE QUE LA SECADORA FUNCIONE ADECUADAMENTE DESPUÉS DE REPARARLA.



NOTE: DASHED LINES INDICATE CIRCUITS THAT ARE NOT IN ALL MODELS.
REMARQUE: LES TRÉTS INDICENT L'EMPLACEMENT DES CIRCUITS QUI NE SONT PAS PRÉSENTS DANS TOUS LES MODÈLES.
NOTA: LAS LINEAS DE PUNTO INDICAN CIRCUITOS QUE NO ESTAN EN TODOS LOS MODELOS.

WIRING DIAGRAM
SCHEMA DE CÂBLAGE
DIAGRAMA DE CONEXIONES
134067100





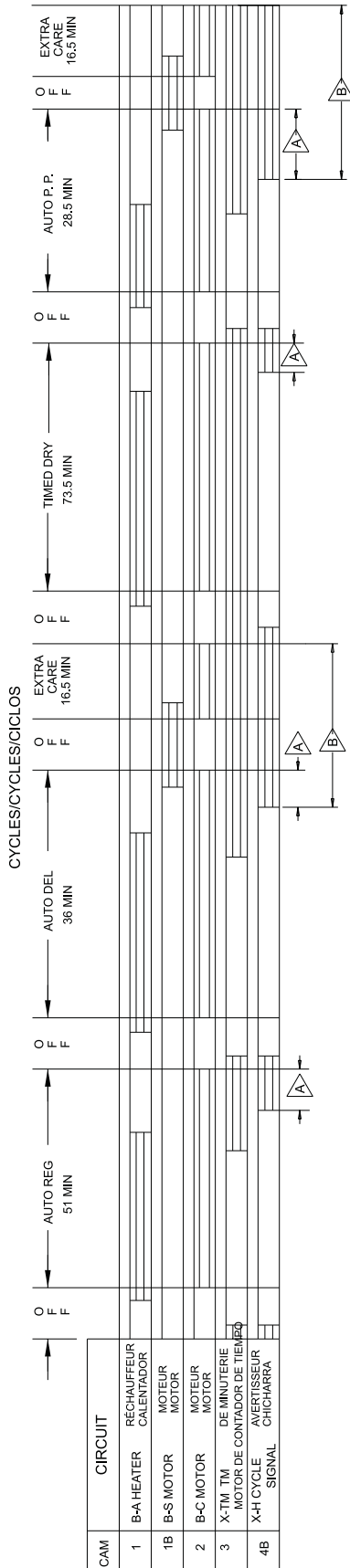
| FABRIC SELECTOR SWITCH BOUTON DE SÉLECTION DU TISSU INTERRUPTOR SELECTOR DE TELAS | | CIRCUIT CIRCUIT CIRCUITO | |
|---|--------------------|--------------------------------|-----|
| FUNCTION REGULAR | FUNCTION MEDIUM | 1-2 | 4-3 |
| REGULAR | MEDIUM | X | X |
| LOW | AIR FLUFF | X | X |

- NOTAS:
- TODAS LAS INSTALACIONES ALAMBRICAS DEBEN CUMPLIR CON LOS CODIGOS ELECTRICOS LOCALES.
 - CONECTAR LA SECADORA A UN CIRCUITO DE RAMAL INDIVIDUAL DE 15 AMPERIOS.
 - EL CRONIZADOR SE MUESTRA EN POSICION APAGADO, EL INTERRUPTOR DE LA PUERTA CERRADO, EL MOTOR EN REPOSE, EL TERMOSTATO CERRADO Y EL INTERRUPTOR SELECTOR DE TELAS EN REGULAR.

- REMARQUES:
- TOUT LE CABLAGE DOIT RESPECTER LES CODES DE L'ELECTRICITE LOCAUX.
 - BRANCHER LA SÉCHEUSE À UNE DÉRIVATION DISTINCTE DE 15 AMPÈRES.
 - MINUTERIE ILLUSTRÉE EN POSITION FERMÉE, INTERRUPTEUR DE LA PORTE FERMÉE, MOTEUR ARRÊTÉ, THERMOSTAT FERMARRETÉ ET BOUON DE SÉLECTION DU TISSU SUR RÈGULIER.

- NOTES:
- ALL WIRING MUST CONFORM TO LOCAL ELECTRICAL CODES.
 - CONNECT DRYER TO A 15 AMP INDIVIDUAL BRANCH CIRCUIT.
 - TIMER SHOWN IN OFF POSITION, DOOR SWITCH CLOSED, MOTOR AT REST, THERMOSTAT CLOSED AND FABRIC SELECTOR SWITCH AT REGULAR.

| WIRING CODES | CODES DE CÂBLAGE | CODIGOS DE ALAMBRADOS |
|---|--|---|
| ⊗ QUICK DISCONNECT TERMINAL CONNECTION | BORNE À DÉBRANCHEMENT RAPIDE CONNEXION | TERMINAL DE DESCONEXION RAPIDA CONEXION |
| ⊕ NO CONNECTION | AUCUNE CONNEXION | SIN CONEXION |
| ⊖ MOTOR SWITCH | INTERRUPTEUR DU MOTEUR | INTERRUPTEUR DEL MOTOR |
| ⊖ SPLICED | ÉPISURE | EMPALME |
| ⊖ MOTOR PROTECTOR | PROTECTEUR DU MOTEUR | PROTECTOR DEL MOTOR |
| ⊖ CHASSIS (CABINET) GROUND SCREW TERMINAL | MISE À LA TERRE DU BOMISE (TIER) BORNE À VIS | PUESTA A TIERRA DEL CHASIS (GABINETE) BORNE DE TORNILLO |
| ⊖ HARNESS CONNECTOR TERMINAL | BORNE À CONNEXEUR DE HARNAIS | TERMINAL CONECTOR DE CONEXIONADO |
| ⊖ INSULATED TERMINAL | BORNE OSOLÉE | TERMINAL AISLADO |



EL GRAFICO DE BARRAS DE LA IZQUIERDA REPRESENTA UNA REVOLUCION COMPLETA DEL EJE DEL CRONIZADOR. LA PORCION SOMBRADA DEL GRAFICO DE BARRAS INDICA LOS TIEMPOS PROPORCIONALES QUE LOS CONTACTOS INTERNOS DEL CRONIZADOR ESTAN CERRADOS.

LE DIAGRAMME SUR LA GAUCHE REPRESENTE UNE ROTATION COMPLETE DE L'ARBRE DE LA MINUTERIE. LA PARTIE OMBRÉE DU DIAGRAMME INDIQUE LE TEMPS RELATIF PENDANT LEQUEL LES CONTACTS INTERNES DE LA MINUTERIE SONT FERMÉS.

BAR CHART ABOVE REPRESENTS ONE COMPLETE REVOLUTION OF TIMER SHAFT. SHADED PORTION OF BAR CHART INDICATES THE PROPORTIONAL TIMES THAT INTERNAL TIMER CONTACTS ARE CLOSED.

UNA LEVA GENERADORA DE IMPULSOS, UBICADA JUNTO A LA LEVA DEL ZUMBADOR Y GIRANDO A 12 REVOLUCIONES POR HORA, PERMITE QUE EL CIRCUITO "X-H" SE CIERRE DURANTE 5 SEGUNDOS (±3 SEGUNDOS).

UNE CAME D'IMPULSION SITUÉE À CÔTÉ DE LA CAME DE L'AVERTISSEUR ET TOURNANT À RAISON DE 12 TOURS À L'HEURE PERMET AU CIRCUIT «X-H» DE SE FERMER PENDANT 5 SECONDES (±3 SECONDES).

A PULSAR CAM, LOCATED NEXT TO THE BUZZER CAM AND ROTATING AT 12 REVOLUTIONS PER HOUR, ALLOWS CIRCUITS "X-H" TO CLOSE FOR 5 SECONDS (±3 SECONDS).

- △ 1 0 2 VECES EN ESTA AREA
- ▽ 5 A 7 VECES EN ESTA AREA

- △ 1 OU 2 FOIS DANS CETTE SECTION
- ▽ DE 5 À 7 FOIS DANS CETTE SECTION

- △ 1 OR 2 TIMES IN THIS AREA
- ▽ 5 TO 7 TIMES IN THIS AREA

