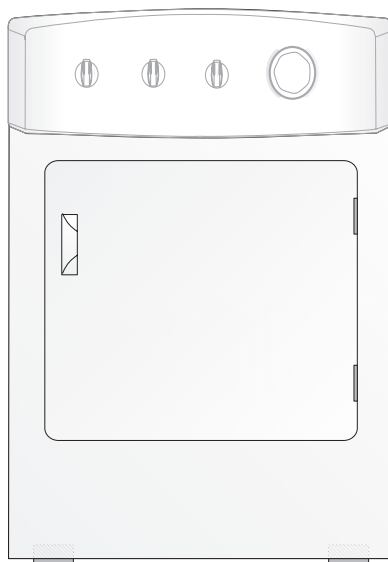


FACTORY PARTS CATALOG GAS DRYER

Frigidaire



PRODUCT NO.	BASE MODEL NO.	COLOR
CRGR442AS2	CRGR442A	White

WIRING DIAGRAM - # 131826300
OWNER'S GUIDE - # 131883500
OPERATING INSTRUCTIONS - # 134106800

 **Electrolux**

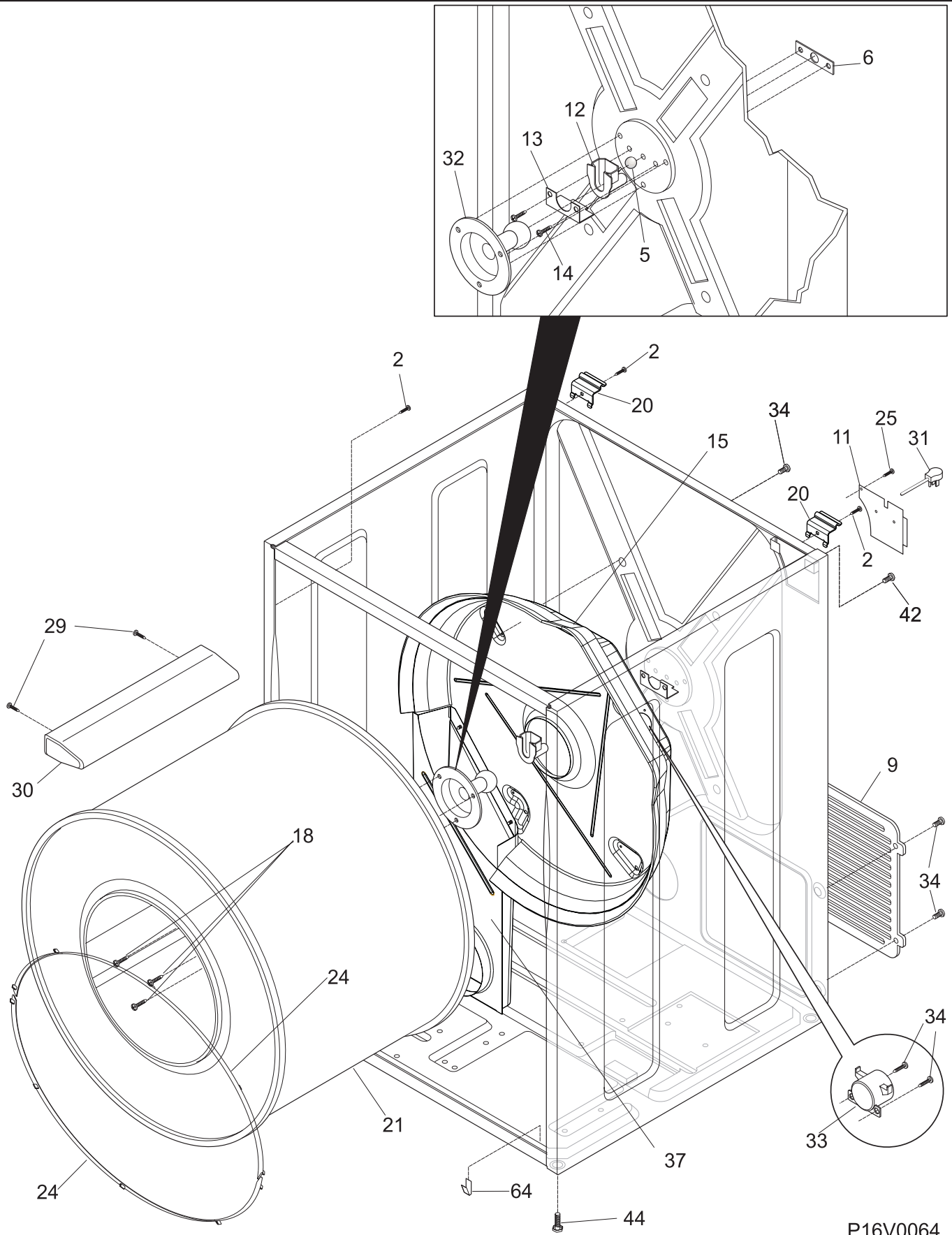
ELECTROLUX HOME PRODUCTS NORTH AMERICA
400 Des Moines St., Webster City IA 50595-1499

Publication No.
5995375291
020702
ENG/SERVICE/JAM
361

GAS - DRYER

**Model No.
CRGR442A**

©2002 White Consolidated Industries, Inc.
All rights reserved



P16V0064

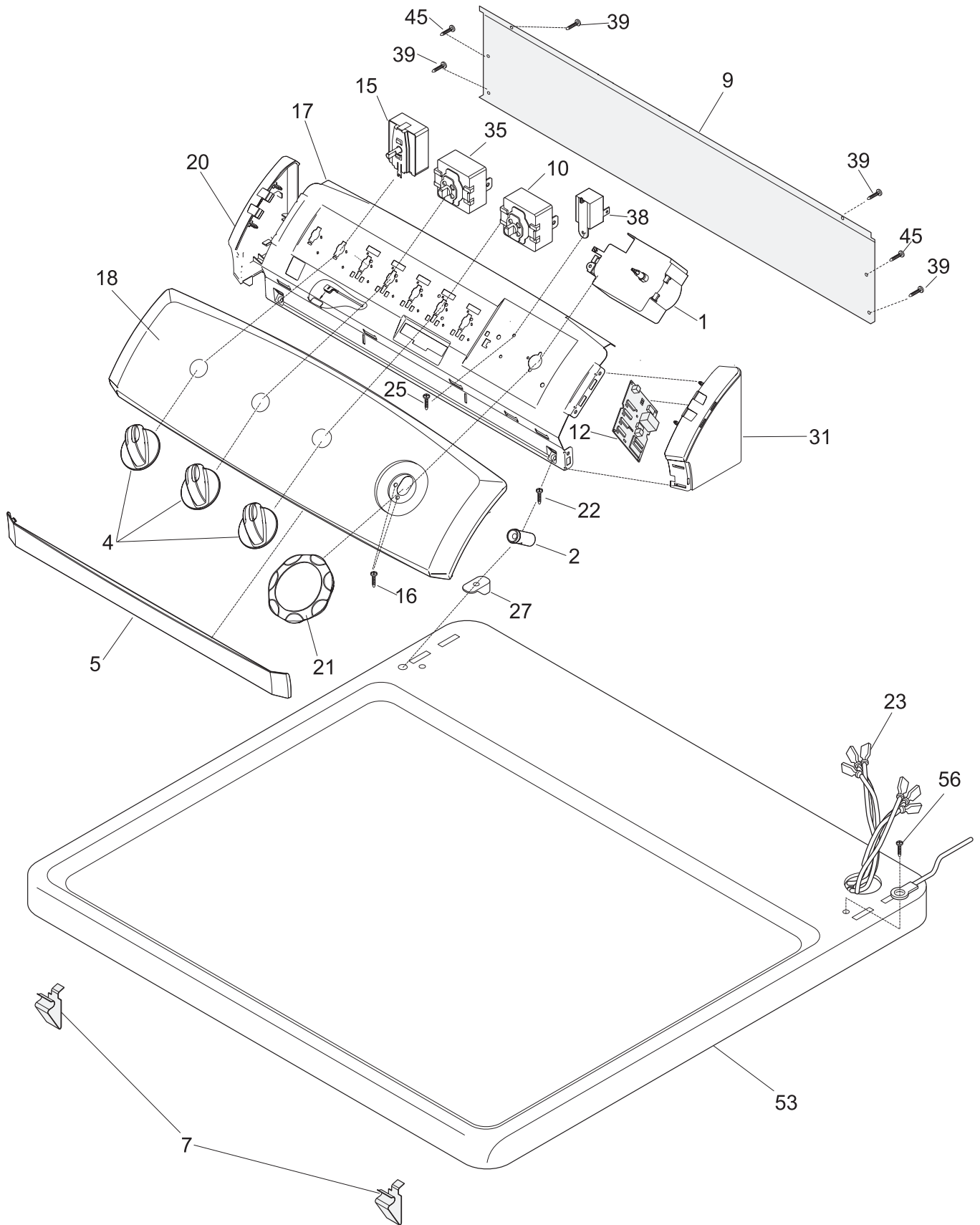
CABINET/DRUM

POS. NO	PART NO	DESCRIPTION
2	131168200	Screw, 8-18 x 0.31
5	5303281019	Ball
6	5303281020	Clip-ball
9	131793201	Panel-access
11	131363200	Cover-term block
12	131825900	Bearing-drum support
13	131724300	Bracket-bearing
14	131205400	Screw-bracket, 10-16B x 1.375, cr/sq drive
15 #	131600500	Asmy-heater
18	131477000	Screw-shaft & baffle, comb ph ab spcl, 10-16 x .375
20	131469100	Bracket-hinge
21	134122532	Asmy-drum galvanized
24	131963900	Glide-drum
25	5303015671	Screw, 8-18 x .375
29	131382300	Screw-vane, quadrex head, 10-14 x 1.00, special
30	5303201200	Vane
31 #	134102200	Service cord-gas dryer (NOM)
32	131777700	Asmy-shaft (ballhitch)
33 #	5308015399	Thermostat-safety
34	131243700	Screw, pan head, 8-18AB x 0.375, cr/sq drive
37	131952100	Duct-heat
42	131301100	Screw-ground cab, hex washer head, 10-32T x 0.375, serrated head
44	131527400	Leg-leveling
64	131704600	Clip
* #	5303281153	Rear Bearing Kit, includes #5, 6, 12, 13, 14, 18, 32
*	5303307893	Lubricant, high temp

FRONT PANEL/LINT FILTER

POS. NO	PART NO	DESCRIPTION
1	134063300	Seal-air duct 2.5# low perm
2	131397000	Plug-dome, white
6	131621900	Duct-air
8 #	131845800	Sensor-moisture, assy w/harness
9	131633200	Plug, white
16	131063700	Clip-wiring
20	134036400	Felt-upper
21	134134700	Lower felt
22	131845912	Front panel w/lite wht
25	131658800	Catch-door
26	131843101	Switch-door w/drum light
27	131450300	Lint Trap
28	5303281074	Clip-guide
41	131627500	Hinge-door
42	131209600	Screw, flat head, 8-18AB x 0.44, cr/sq drive
44	131129900	Gasket-door
46	131644700	Handle-door, white
47	131844104	Panel-inner door, white
48	131789303	Door-outer, white
49	5303211430	Strike-door
50	131303300	Screw-lock, ph ab, 10-16 x .50
58 #	131843500	Asmy-lamp
*	131474700	Insulation
*	5308027429	Adhesive, high temp
* #	131862800	Lamp
* #	131846600	Harness-MS/lt hsg

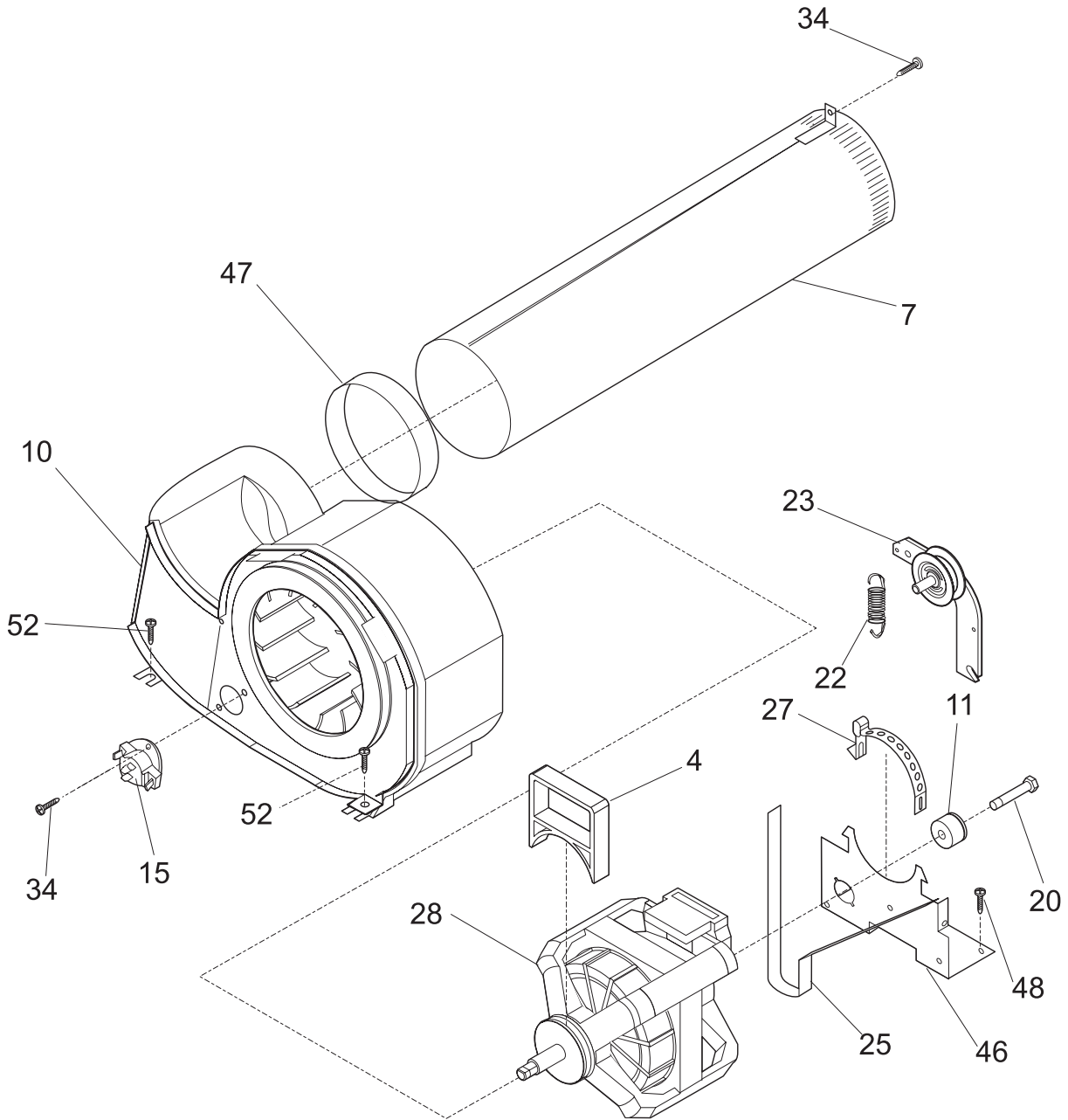
CONTROLS/TOP PANEL



P16C0212

CONTROLS/TOP PANEL

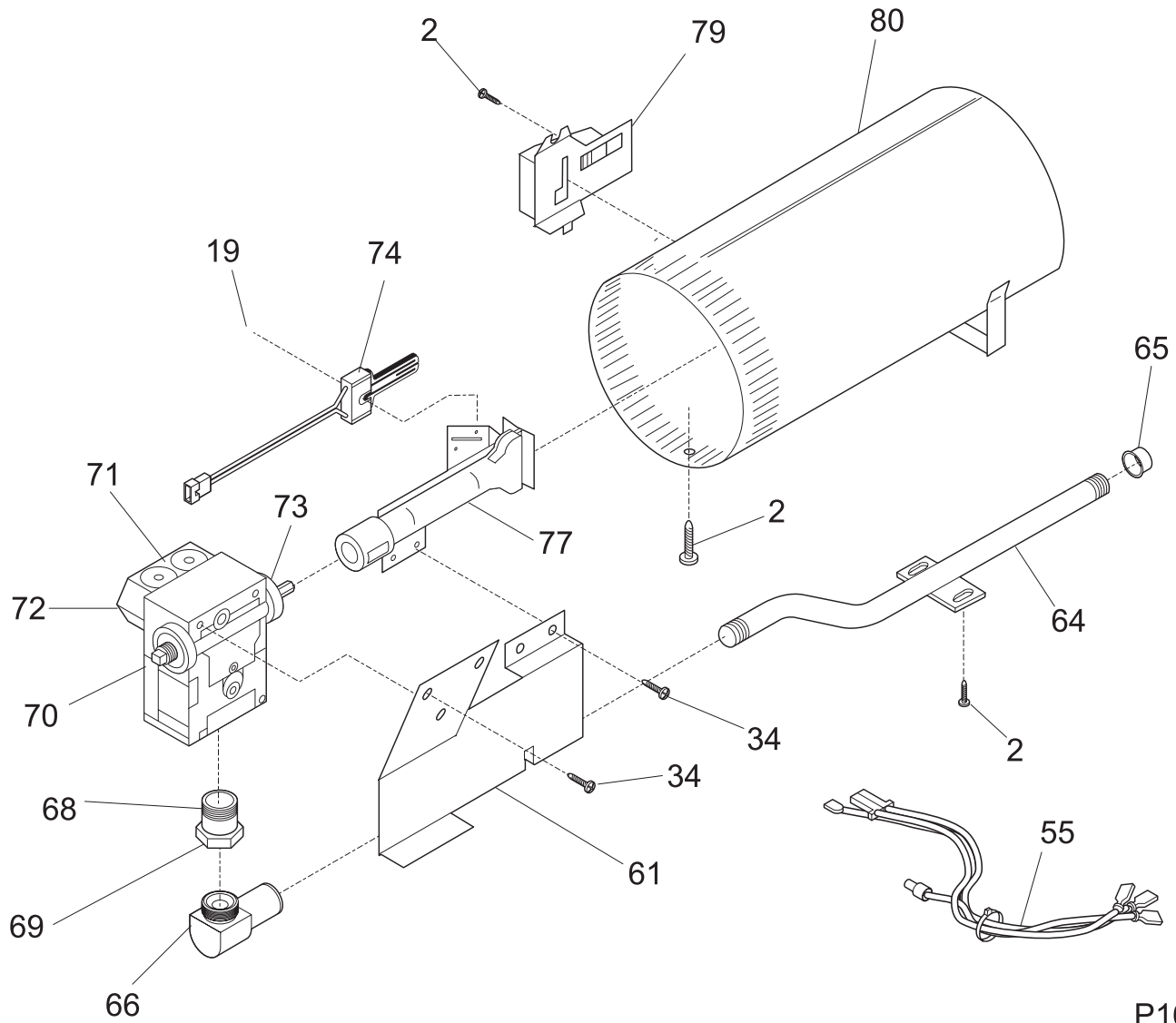
POS. NO	PART NO	DESCRIPTION
1 #	131717300	Timer-dryer
2	134096100	Spacer-console mounting
4	134034900	Knob-rotary-wht "Z" cons
5	134019900	Closure-front-wht "Z" cons
7	3205821	Clip-top panel to front panel
9	131992900	Backsheet "Z" cons-FSD/TAW
10 #	131447800	Switch-start
12 #	131620200	Control Board, moisture sensor
15 #	131641900	Switch-temperature
16	134034300	Screw
17	131993010	Brkt-cont mtg M520
18	134103400	Trimplate FDE/B1RRHZ
20	134019610	End cap-LH-wht "Z" cons
21	134035500	Asmy-knob-timer-dry wht/gray
22	131266300	Screw-end cap, cr oval head, 8-18AB x 1.250, black
23 #	134133600	Harness-FSD J&RRHZ gas
25	5303015671	Screw, 8-18 x .375
27	131197000	Clip-control panel
31	134019600	End cap-RH-wht "Z" cons
35 #	131243200	Switch-2pos temp/bzr/xtra rins
38 #	131629400	Buzzer-mini
39	131168200	Screw, 8-18 x 0.31
45	131205100	Screw, #8 pan head, 10-10B x 0.50, cr/sq drive
53	134086802	Panel-top FS wht
56	131243800	Screw-brkt top, pan hd locking, 8-32CA x 0.375, cr/sq drive
* #	131629600	Harness-buzzer, mini



P16M0024

MOTOR

POS. NO	PART NO	DESCRIPTION
4	131435200	Lock-fan housing
7	131451600	Tube-exhaust
10	131775600	Asmy-blwr hsg/cov/wheel
11	131749800	Spacer-idler
15 #	134048900	Thermostat-cont-gas w/M.S.
20	131017900	Screw-spacer, hex head, 1/4-20T x 1.25, thread cutting
22	131601000	Spring-idler
23	131863000	Asmy-idler arm
25 #	5303283471	Belt-dryer
27	131419800	Clamp-motor
28 #	131560100	Motor-main, w/pulley
34	131243700	Screw, pan head, 8-18AB x 0.375, cr/sq drive
46	131601100	Bracket-motor
47	131633300	Seal-exhaust tube
48	131168200	Screw, 8-18 x 0.31
52	131303100	Screw, hwhd ab, 10-16 x .625
*	131456800	Tube Assy, exhaust



P16B0011

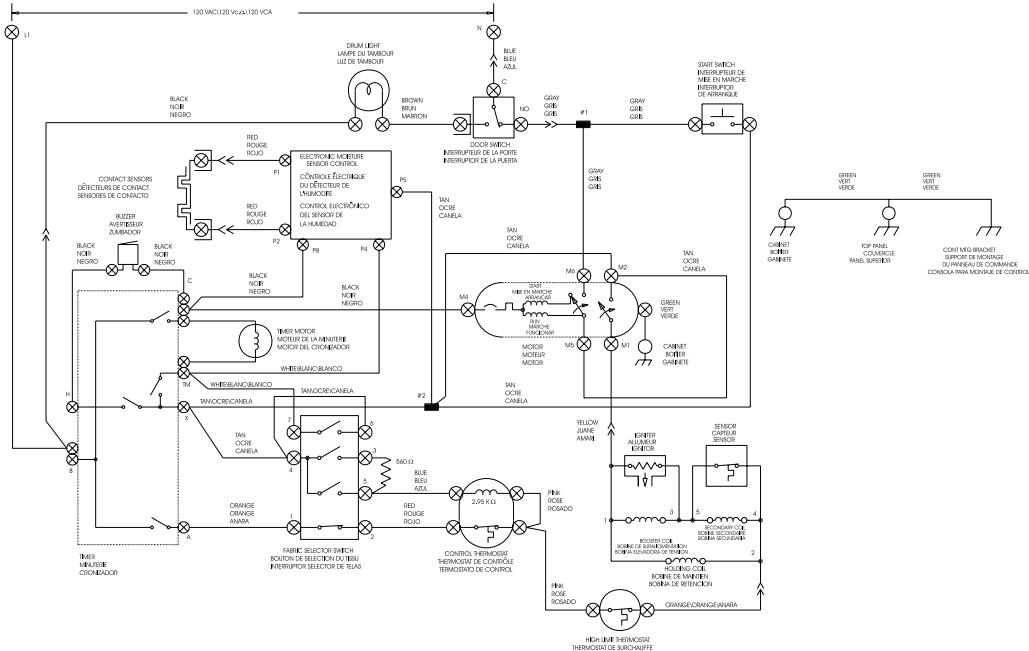
BURNER

POS. NO	PART NO	DESCRIPTION
2	131168200	Screw, 8-18 x 0.31
19	131715500	Clip-igniter
34	131243700	Screw, pan head, 8-18AB x 0.375, cr/sq drive
55	131827100	Harness-gas valve
61	131418701	Bracket-burner
64	134145300	Pipe
65	08015112	Cap-pipe
66	131512000	Elbow-coupler
68	5362791200	Tail piece, brass
69	08015194	Nut-union, hex
70	5303207409	Valve-gas
71	5303307291	Coil-secondary
72	5303307292	Coil-booster
73	5303207410	Orifice, natural gas
74 #	5303281151	Ignitor Assy
77	131762900	Assy-burner
79	5303281135	Sensor
80	131904500	Burner tube-riveted
* #	131776600	LP Conversion Kit

CAUTION: DISCONNECT ELECTRIC CURRENT BEFORE SERVICING. LABEL ALL WIRES PRIOR TO DISCONNECTION WHEN SERVICING CONTROLS. WIRING ERRORS CAN CAUSE IMPROPER AND DANGEROUS OPERATION. VERIFY PROPER OPERATION AFTER SERVICING.

ATTENTION: LORS DES OPÉRATIONS D'ENTRETIEN DES COMMANDES, ÉTIQUETER TOUS LES FILS AVANT DE LES DÉCONNECTER. TOUTE ERREUR DE CÂBLAGE PEUT ÊTRE UNE SOURCE DE DANGER ET DE PANNE. S'ASSURER QUE L'APPAREIL FONCTIONNE ADÉQUATEMENT UNE FOIS L'ENTRETIEN TERMINÉ.

ATENCIÓN: CUANDO SE REPARAN LOS CONTROLES, MARQUE TODOS CABLES CON ETIQUETAS ANTES DE DESCONECTARLOS. CUALQUIER ERRORES DE CABLEADO PUEDEN CAUSAR LA OPERACIÓN INADECUADA Y PELIGROSA, ASEGÚRESE DE QUE LA SECADOR FUNCIONE ADECUADAMENTE DESPUÉS DE REPARARLA.



WIRING CODES	CODES DE CÂBLAGE	COLEGOS DE ALAMBIADOS
⊗	BOURNE DÉCONNECTANT TERMINAL	TERMINAL DE DESCONEXIÓN TEMP.
+	CONNECTION	CONEXIÓN
+	NO CONNECTION	NO CONEXIÓN
+	MOTOR SWITCH	INTERRUPTOR DEL MOTOR
+	FUSE	FUSIBLE
+	MOTOR PROTECTOR	PROTECTOR DEL MOTOR
+	CHARGE/DRUM GROUND	PUESTA A TIERRA DEL CARGUE/DRUM
+	SCREW TERMINAL	BORNE DE TORNILLO
+	WIRELESS CONNECTOR TERMINAL	TERMINAL CONEXIÓN DE CONECTOR SIN CABLE
+	RELATED TERMINAL	TERMINAL RELACIONADO

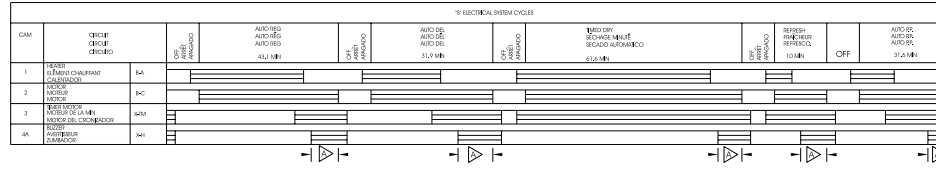
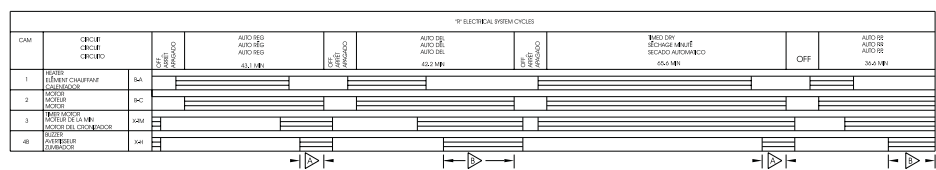
WIRE SPECIFICATIONS		ESPECIFICACIONES DE ALAMBRES	
CODE	WIRE GAUGE/AWG	INDICACION MATERIAL	INDICACION MATERIAL
COG	18	ALUMINUM	ALUMINIO
COG	18	COPPER	COPRE
COG	20	ALUMINUM	ALUMINIO
COG	20	COPPER	COPRE
COG	18	ALUMINUM	ALUMINIO
COG	18	COPPER	COPRE
COG	18	ALUMINUM	ALUMINIO
COG	18	COPPER	COPRE

FABRIC SELECTOR SWITCH		BOUTON DE SÉLECTION DU TISSU		BOTÓN DE SELECCIÓN DE TIJAS	
WIRING CODE	FUNCTION	WIRING CODE	FUNCTION	WIRING CODE	FUNCTION
REGULAR	REGULAR	REGULAR	X	REGULAR	X
MEDIUM	MEDIUM	MEDIUM	X	MEDIUM	X
HEAVY	HEAVY	HEAVY	X	HEAVY	X
WASH	WASH	WASH	X	WASH	X
WASH	WASH	WASH	X	WASH	X

NOTES
1. ALL WIRING MUST CONFORM TO LOCAL ELECTRICAL CODES.
2. CONNECT WIRE TO A 15 AMP INDIVIDUAL BRANCH CIRCUIT.
3. WIRE SHOWN IN OFF POSITION. DOOR SWITCH CLOSED.
MOTOR & BLR. THERMOSTAT CLOSED AND FABRIC SELECTOR SWITCH AT REGULAR.

NOTAS
1. TODAS LAS INSTALACIONES ALAMBRICAS DEBEN CUMPLIR CON LOS CODIGOS ELECTRICOS LOCALES.
2. CONECTAR LA SECCION A UN CIRCUITO DE RAMAL INDIVIDUAL DE 15 AMPERES.
3. EL COMBUSTOR SE MUESTRA EN POSICION APAGADA. EL INTERRUPTOR DE LA PUERTA CERRADA. EL MOTOR EN REPOSO. EL TENSIOSTAT CERRADO Y EL INTERRUPTOR SELECCION DE TIJAS EN REGULAR.

REMARQUES
1. TOUT LE CÂBLAGE DOIT RESPECTER LES CODES DE RÉGION ÉLECTRIQUE LOCALE.
2. BRANCHEMENT LA SECCION À UNE DÉVIATION INDIVIDUE DE 15 AMPÈRES.
3. MOTEUR ÉTEINT EN POSITION D'ARRÊT. THERMOSTAT FERMÉ ET BOUTON DE SÉLECTION DU TISSU SE RÉGULIER.



BAR CHART ABOVE REPRESENTS ONE COMPLETE REVOLUTION OF THE SHAF.
SHARDED PORTION OF BAR CHART INDICATES THE PROPORTIONAL TIME THAT INTERNAL THERM CONTACTS ARE CLOSED.
A PULSAR CAME, LOCATED NEXT TO THE BLR MOTOR AND ROTATING AT 12 REVOLUTIONS PER HOUR, ALLOWS CIRCLES "SH" TO CLOSE FOR 5 SECONDS (1-3 SECONDS).

SE OMBRAGEA SUR LA GAUCHE SUPRÉRIEURE UNE ROTATION COMPLÈTE DE LA MANIVELLE.
LA PARTIE OMBRÉE DU DIAGRAMME INDIQUE LE TEMPS RELATIF PENDANT LEQUEL LES CONTACTS INTERNES DE LA MANIVELLE SONT FERMÉS.
UNE CAME D'IMPULSION SITUÉE À CÔTÉ DE LA CAME DE LA MANIVELLE ET TOURNANT À RAYON DE 12 TOURS À L'HEURE PERMET AU CERCLE "SH" DE SE FERMER PENDANT 5 SECONDES (1-3 SECONDES).

EL GRÁFICO DE BARRAS DE LA IZQUIERDA REPRESENTA UNA REVOLUCIÓN COMPLETA DEL LIE DEL CROMODADOR.
LA PORCIÓN SOMBRADA DEL GRÁFICO DE BARRAS INDICA LOS TIEMPOS PROPORCIONALES QUE LOS CONTACTOS INTERNOS DEL CROMODADOR SE ENCIENDEN.
UNA LEVA GENERADORA DE IMPULSIONES, UNIDA JUNTO A LA LEVA DEL CROMODADOR Y CERRADA A 12 REVOLUCIONES POR HORA, PERMITE QUE EL CERCLO "SH" SE CIERRE DURANTE 5 SEGUNDOS (1-3 SEGUNDOS).

▷ 1 OR 2 TIMES IN THIS AREA
▷ 3 TO 4 TIMES IN THIS AREA

▷ 1 OU 2 FOIS DANS CETTE SECTION
▷ DE 3 À 4 FOIS DANS CETTE SECTION

▷ 1 O 2 VECES EN ESTA AREA
▷ 3 A 4 VECES EN ESTA AREA

WIRING DIAGRAM PIN 131826300
SCHEMA DE CÂBLAGE N° DE PÈCE 131826300
DIAGRAMA DE CONEXIONES PIN 131826300

