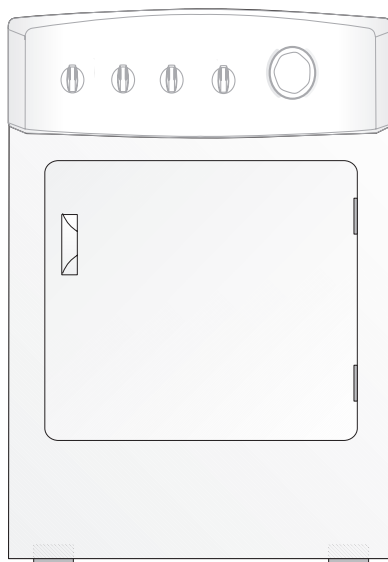


FACTORY PARTS CATALOG ELECTRIC DRYER

Frigidaire



PRODUCT NO.	BASE MODEL NO.	COLOR
CRER7900AS0	CRER7900A	White

WIRING DIAGRAM - # 134067000
OWNER'S GUIDE - # 131883500
OPERATING INSTRUCTIONS - # 134067700

 **Electrolux**

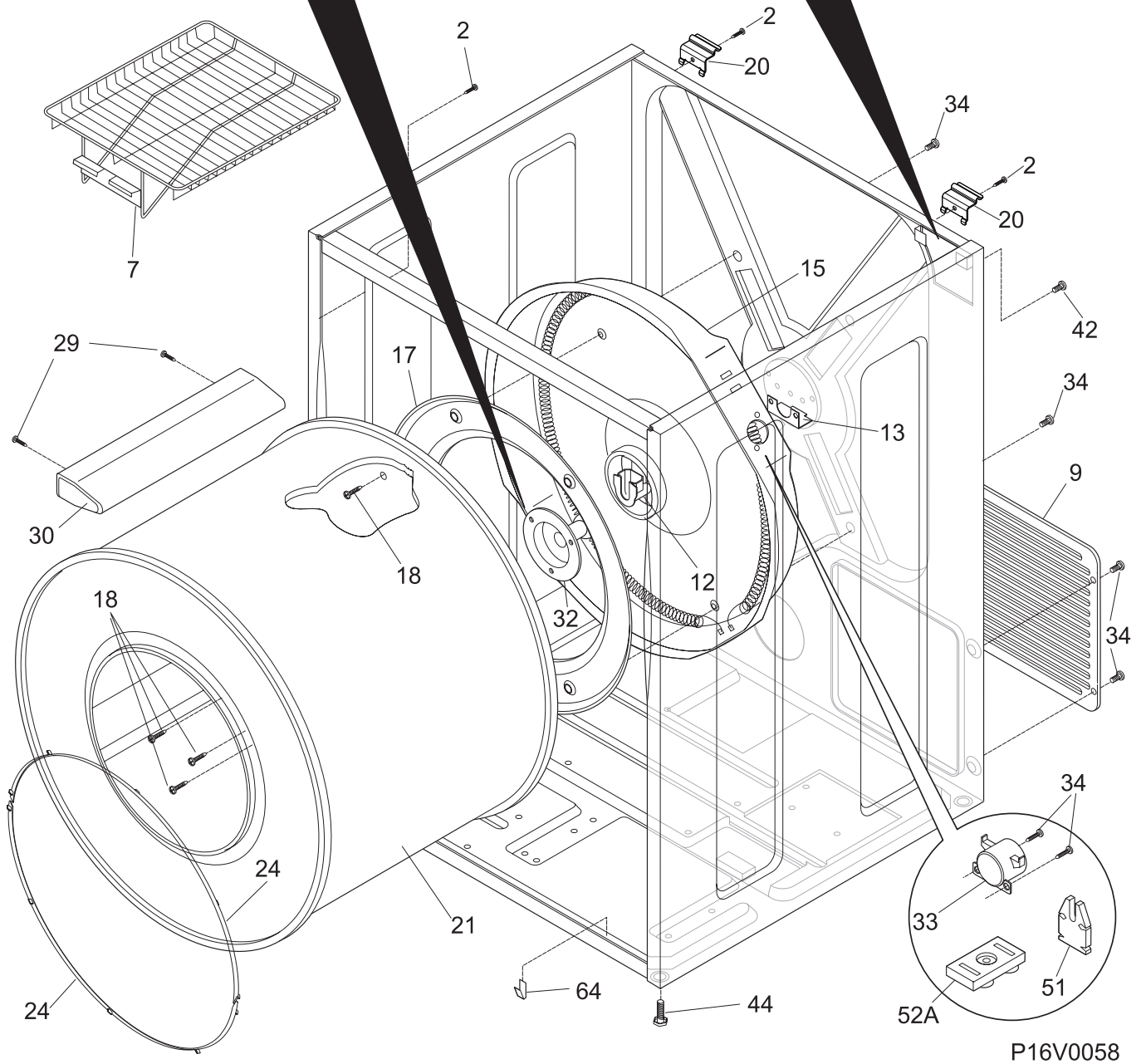
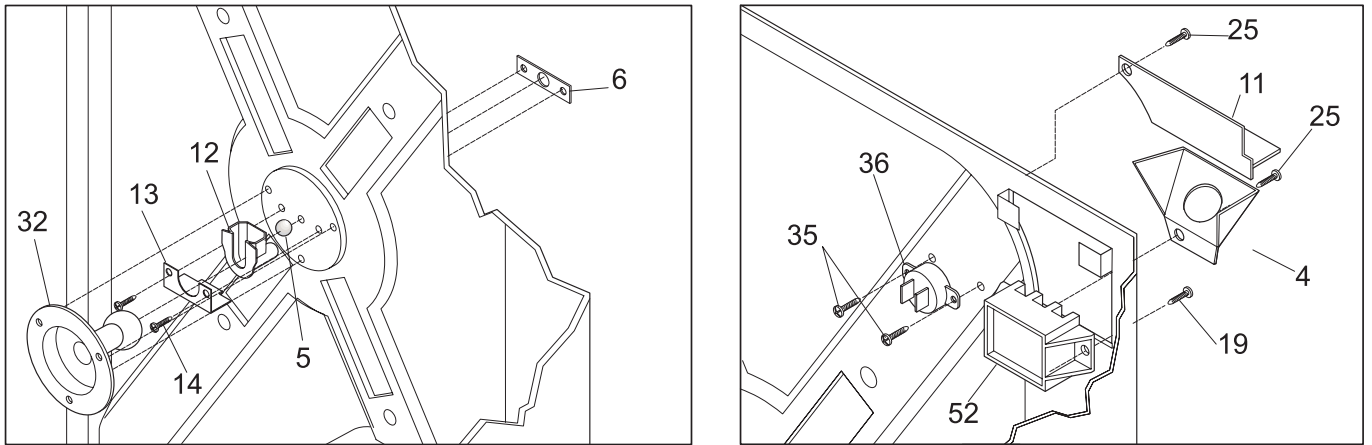
ELECTROLUX HOME PRODUCTS NORTH AMERICA
400 Des Moines St., Webster City IA 50595-1499

Publication No.
5995376018
020723
ENG/SERVICE/JAM
361

ELECTRIC - DRYER

**Model No.
CRER7900A**

©2002 White Consolidated Industries, Inc.
All rights reserved

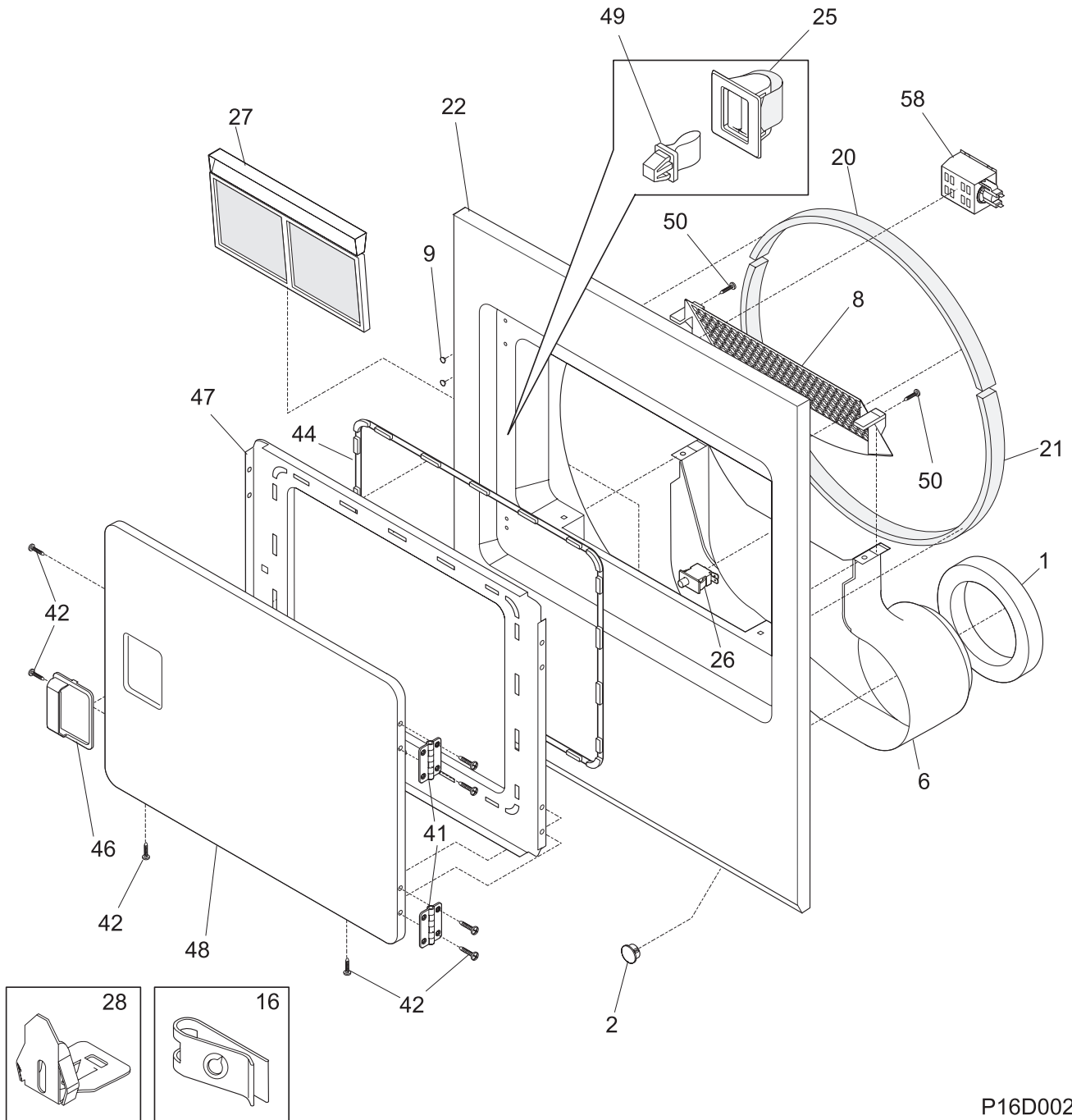


P16V0058

CABINET/DRUM

POS. NO	PART NO	DESCRIPTION
2	131168200	Screw, 8-18 x 0.31
4	131785200	Bracket-cord
5	5303281019	Ball
6	5303281020	Clip-ball
7	134121200	Asmy-drying rack-dryer
9	131793201	Panel-access
11	5303211428	Cover-term block
12	131825900	Bearing-drum support
13	131724300	Bracket-bearing
14	131205400	Screw-bracket, 10-16B x 1.375, cr/sq drive
15 #	131553900	Heater-hsg assy
17	3204254	Baffle-heater
18	131477000	Screw-shaft & baffle, comb ph ab spcl, 10-16 x .375
19	131205300	Screw, 10-16 x .75
20	131469100	Bracket-hinge
21	134122532	Asmy-drum galvanized
24	131963900	Glide-drum
25	5303015671	Screw, 8-18 x .375
29	131382300	Screw-vane, quadrex head, 10-14 x 1.00, special
30	5303201200	Vane
32	131777700	Asmy-shaft (ballhitch)
33 #	3204267	Thermostat-safety
34	131243700	Screw, pan head, 8-18AB x 0.375, cr/sq drive
35	131892100	Scr 6-20 x .230 pph b pt
36 #	134120900	Thermal Limiter
42	131209600	Screw, flat head, 8-18AB x 0.44, cr/sq drive
44	131527400	Leg-leveling
51	131472100	Insulator, heater housing
52	134101400	Block-terminal
52A	3202786	Block-terminal, heater hsg
64	131704600	Clip
* #	5303281153	Rear Bearing Kit, includes #5, 6, 12, 13, 14, 18, 32
*	5303307893	Lubricant, high temp

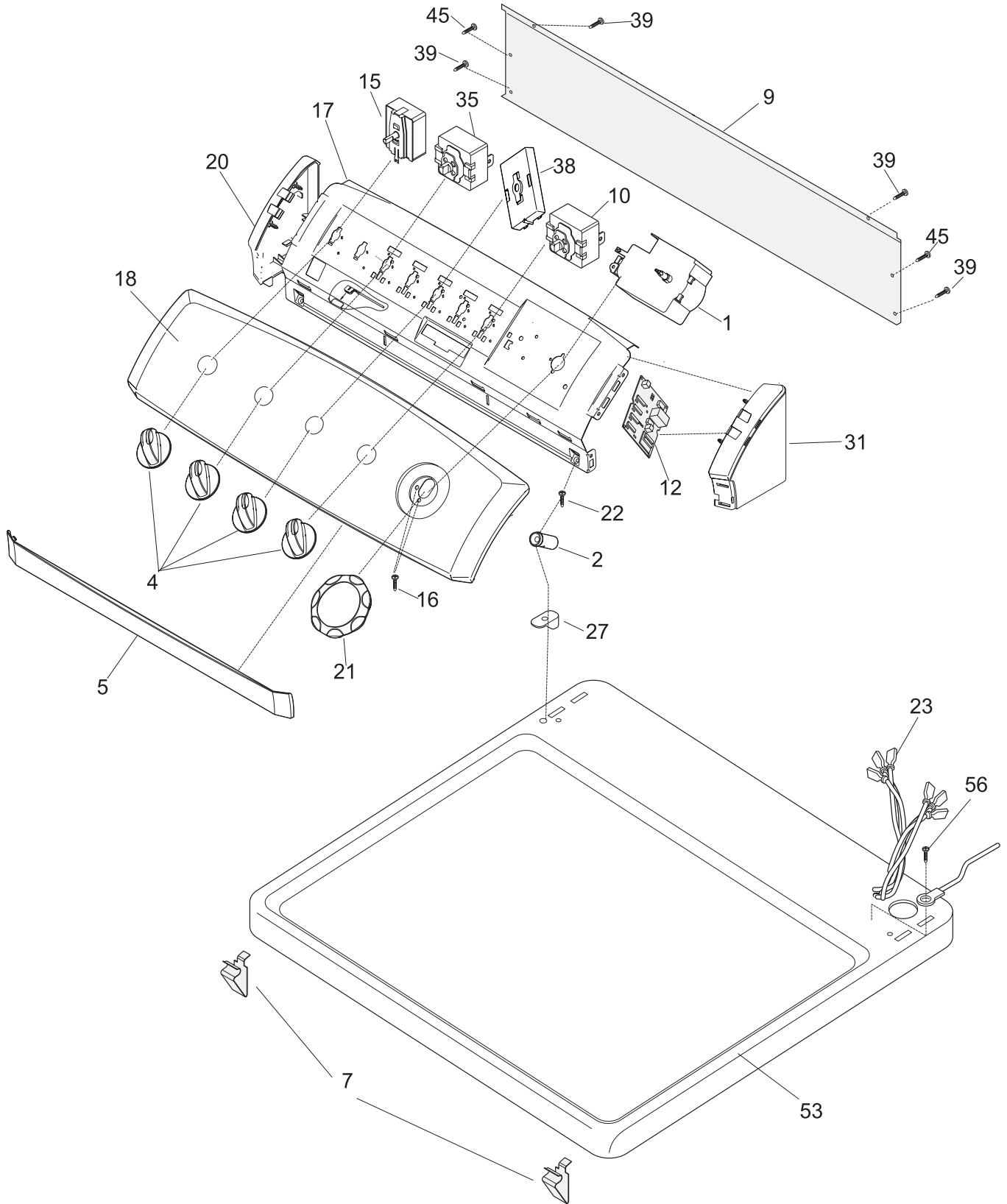
FRONT PANEL/LINT FILTER



P16D0025

FRONT PANEL/LINT FILTER

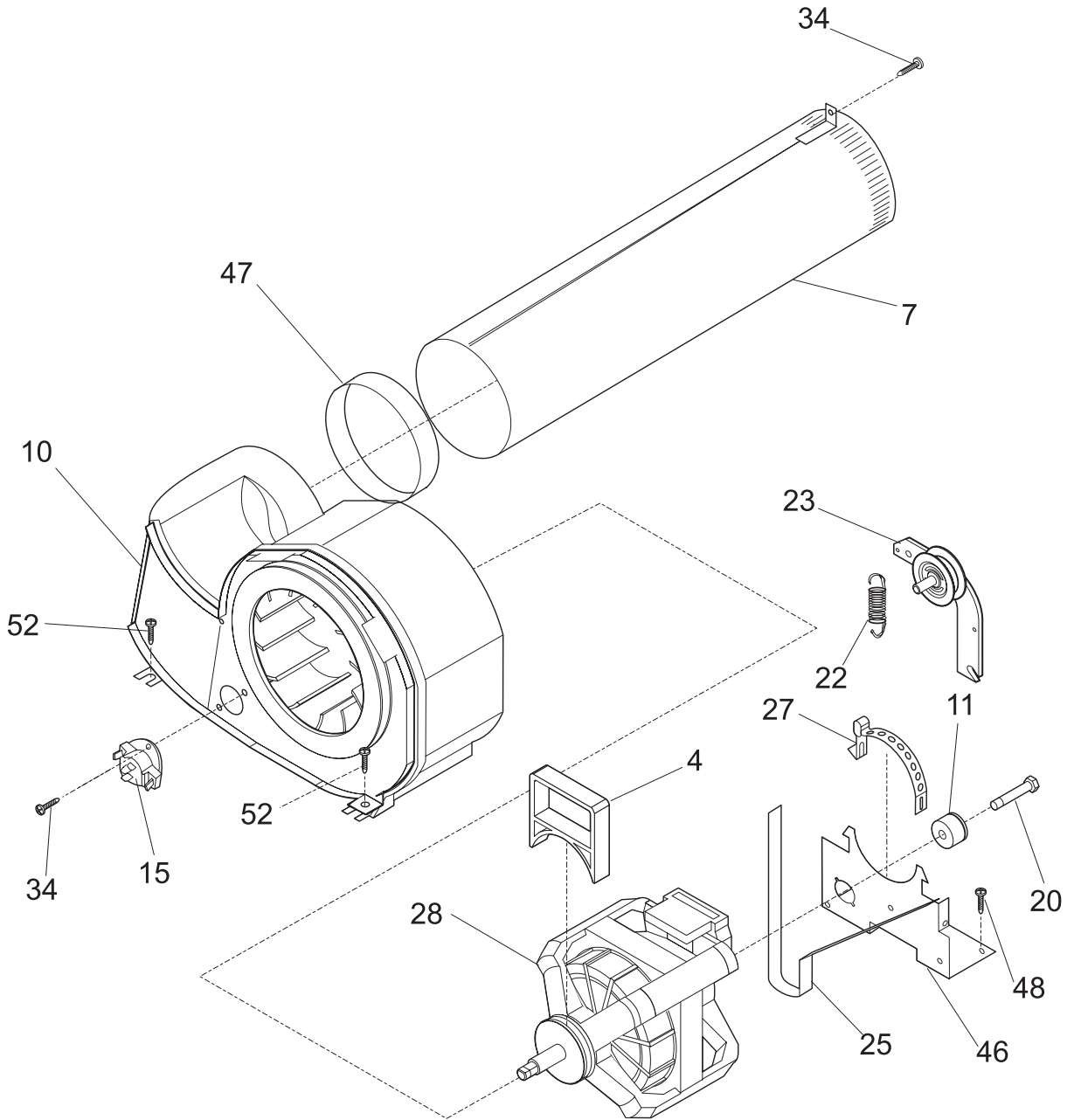
POS. NO	PART NO	DESCRIPTION
1	134063300	Seal-air duct 2.5# low perm
2	131397000	Plug-dome, white
6	131621900	Duct-air
8 #	131845800	Sensor-moisture, assy w/harness
9	131633200	Plug, white
16	131063700	Clip-wiring
20	134036400	Felt-upper
21	134134700	Lower felt
22	131845912	Front panel w/lite wht
25	131658800	Catch-door
26	131843101	Switch-door w/drum light
27	131450300	Lint Trap
28	5303281074	Clip-guide (3)
41	131627500	Hinge-door
42	131209600	Screw, flat head, 8-18AB x 0.44, cr/sq drive
44	131129900	Gasket-door
46	131644700	Handle-door, white
47	131844104	Panel-inner door, white
48	131789303	Door-outer, white
49	5303211430	Strike-door
50	131303300	Screw-lock, ph ab, 10-16 x .50
58 #	131843500	Asmy-lamp
* #	5308027429	Adhesive, high temp
*	131474700	Insulation



P16C0211

CONTROLS/TOP PANEL

POS. NO	PART NO	DESCRIPTION
1 #	131930600	Timer-dryer "T"
2	134096100	Spacer-console mounting
4	134034900	Knob-rotary-wht "Z" cons
5	134019900	Closure-front-wht "Z" cons
7	3205821	Clip-top panel to front panel
9	131992900	Backsheet "Z" cons-FSD/TAW
10 #	131447800	Switch-start
12 #	131620200	Control Board, moisture sensor
15 #	131641900	Switch-temperature
16	134034300	Screw
17	131993010	Brkt-cont mtg M520
18	134155600	Trimplate FDE/B2TRHZ
20	134019610	End cap-LH-wht "Z" cons
21	134035500	Asmy-knob-timer-dry wht/gray
22	131266300	Screw-end cap, cr oval head, 8-18AB x 1.250, black
23 #	134124300	Harness-FSD TRHZ elec
27	131197000	Clip-control panel
31	134019600	End cap-RH-wht "Z" cons
35 #	131243200	Switch-2pos temp/bzr/xtra rins
38 #	131959200	Beeper continuous low tone
39	131168200	Screw, 8-18 x 0.31
45	131205100	Screw, #8 pan head, 10-10B x 0.50, cr/sq drive
53	134086802	Panel-top FS wht
56	131243800	Screw-brkt top, pan hd locking, 8-32CA x 0.375, cr/sq drive



P16M0024

MOTOR

POS. NO	PART NO	DESCRIPTION
4	131435200	Lock-fan housing
7	131451600	Tube-exhaust
10	131775600	Asmy-blwr hsg/cov/wheel
11	131749800	Spacer-idler
15 #	134048800	Thermostat-cont-elec w/m.s.
20	131017900	Screw-spacer, hex head, 1/4-20T x 1.25, thread cutting
22	131601000	Spring-idler
23	131863000	Asmy-idler arm
25 #	5303283471	Belt-dryer
27	131419800	Clamp-motor
28	131560100	Motor-main, w/pulley
34	131243700	Screw, pan head, 8-18AB x 0.375, cr/sq drive
46	131601100	Bracket-motor
47	131633300	Seal-exhaust tube
48	131168200	Screw, 8-18 x 0.31
52	131303100	Screw, hwhd ab, 10-16 x .625
*	131456800	Tube Assy, exhaust

WIRING DIAGRAM

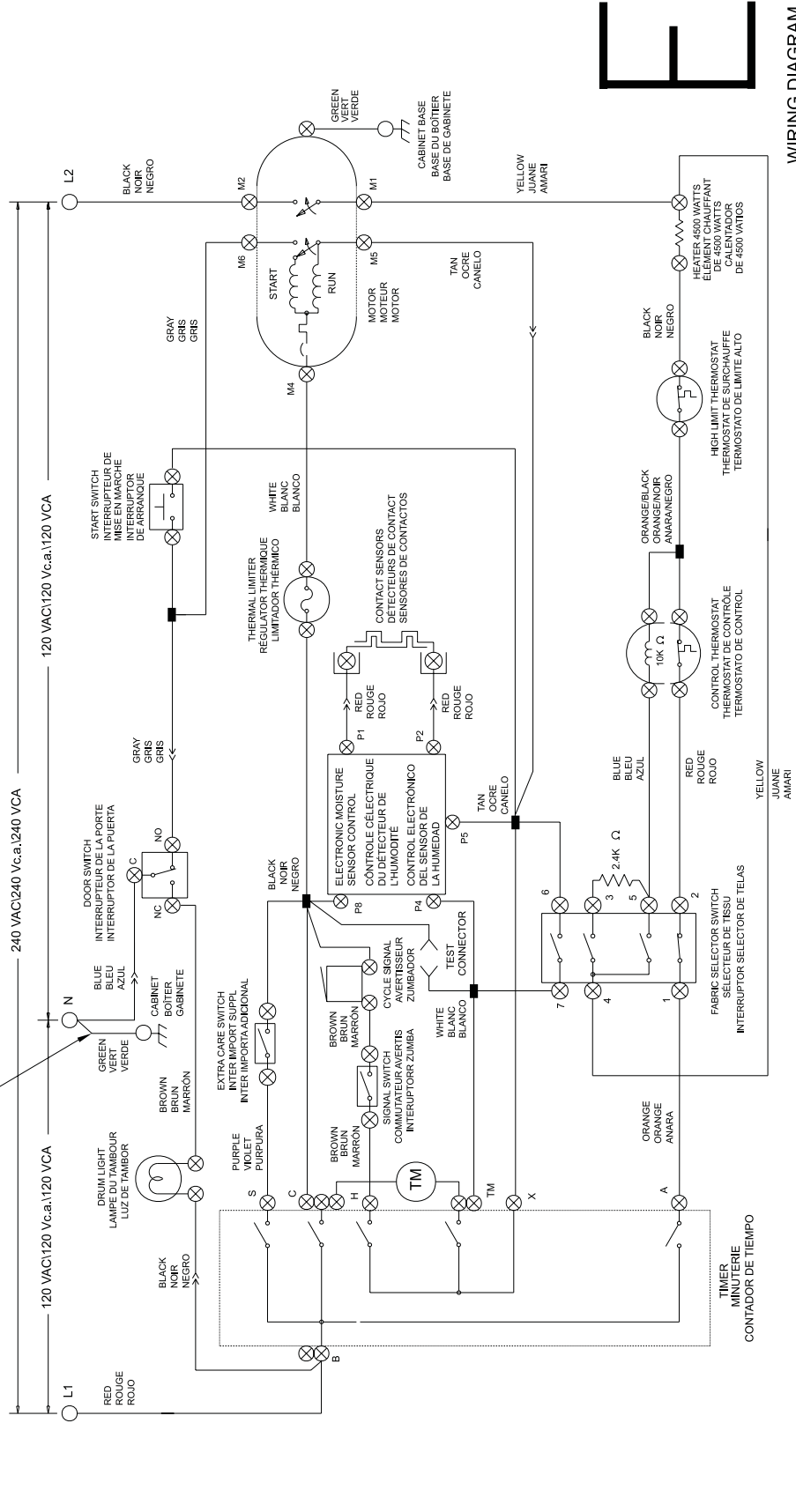
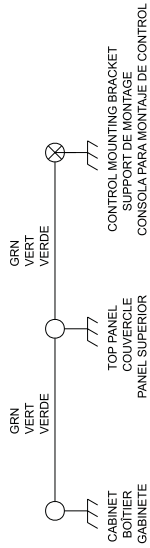
CAUTION: DISCONNECT ELECTRIC CURRENT BEFORE SERVICING
MISE EN GARDE: METTRE HORS TENSION AVANT D'EFFECTUER TOUTE MESURE D'ENTRETIEN.
PRECAUCION: DESCONECTAR LA CORRIENTE ELECTRICA ANTES DE DAR SERVICIO A LA SECADORA.

WIRE NOT INCLUDED IN MODELS PROVIDED WITH 4-WIRE POWER CORD.
FIL NON COMPRIS POUR LES MODELES QUI DISPOSENT D'UN CORDON D'ALIMENTATION A 4 FILS.
EL ALAMBRE NO SW INCLUYE EN LOS MODELOS PROPORCIONADOS CON UN CORDEN DE ALIMENTACION DE CUATRO ALAMBRES.

NOTE:
DASHED LINE INDICATES CIRCUITS THAT ARE NOT IN ALL MODELS.

REMARQUE:
LES TIRETS INDICQUENT L'EMPLACEMENT DES CIRCUITS QUI NE SONT PAS PRESENTS DANS TOUS LES MODELES.

NOTA:
LAS LINEAS DE PUNTO INDICAN CIRCUITOS QUE NO ESTAN EN TODOS LOS MODELOS.



WIRING DIAGRAM
SCHEMA DE CABLAGE
DIAGRAMA DE CONEXIONES
134067000

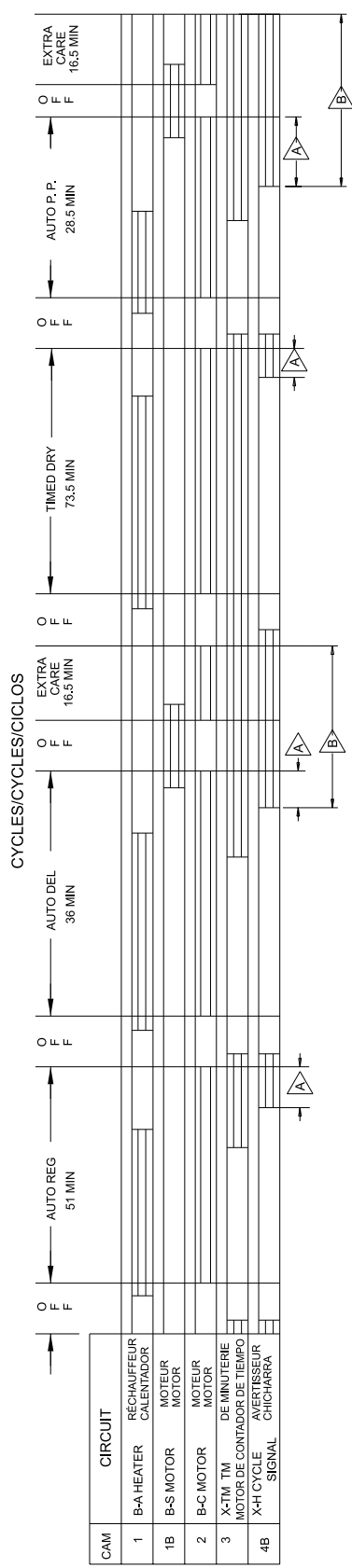


WIRING CODES		CODES DE CÂBLAGE		CODIGOS DE ALAMBRADOS	
⊗	QUICK DISCONNECT TERMINAL CONNECTION	⊗	BORNE À DBOURNE BRANCHEMENT RAPIDE	⊗	TERMINAL DE DESCONEXION RAPIDA
+	NO CONNECTION	+	AUCUNE CONNEXION	+	CONEXION
⊕	MOTOR SWITCH	⊕	INTERRUPTEUR DU MOTEUR	⊕	INTERRUPTEUR DEL MOTOR
⊕	SPLICE	⊕	ÉPISURE	⊕	EMPALME
⊕	MOTOR PROTECTOR	⊕	PROTECTEUR DU MOTEUR	⊕	PROTECTEUR DEL MOTOR
⊕	CHASSIS (CABINET) GROUND	⊕	MISE À LA TERRE DU BOMISE IÏTER	⊕	PUESTAA TIERRA DEL CHASIS (GABINETE)
⊕	SCREW TERMINAL	⊕	BORNE À VIS	⊕	BORNE DE TORNILLO
⊕	HARNES CONNECTOR TERMINAL	⊕	BORNE À CONNEXEUR DE HARNAIS	⊕	TERMINAL CONECTOR DE CONEXIONADO
⊕	INSULATED TERMINAL	⊕	BORNE OSOLÉE	⊕	TERMINAL AISLADO

- NOTES:
1. ALL WIRING MUST CONFORM TO LOCAL ELECTRICAL CODES.
 2. CONNECT DRYER TO A 30 AMP INDIVIDUAL BRANCH CIRCUIT.
 3. TIMER SHOWN IN OFF POSITION, DOOR SWITCH CLOSED, MOTOR AT REST, THERMOSTAT CLOSED AND FABRIC SELECTOR SWITCH AT REGULAR.

- REMARQUES:
1. TOUT LE CÂBLAGE DOIT RESPECTER LES CODES DE L'ÉLECTRICITÉ LOCAUX.
 2. BRANCHER LA SÈCHEUSE À UNE DÉRIVATION DISTINCTE DE 30 AMPÈRES.
 3. MINUTERIE ILLUSTRÉE EN POSITION FERMÉ, INTERRUPTEUR DE LA PORTE FERMÉ, MOTEUR ARRÊTÉ, THERMOSTAT FERMARRÉTÉ ET BOUTON DE SÉLECTION DU TISSU SUR RÈGULIER.

- NOTAS:
1. TODAS LAS INSTALACIONES ALAMBRICAS DEBEN CUMPLIR CON LOS CODIGOS ELECTRICOS LOCALES.
 2. CONECTAR LA SECADORA A UN CIRCUITO DE RAMAL INDIVIDUAL DE 30 AMPERIOS.
 3. EL CRONIZADOR SE MUESTRA EN POSICION APAGADO, EL INTERRUPTOR DE LA PUERTA CERRADO, EL MOTOR EN REPOSE, EL TERMOSTATO CERRADO Y EL INTERRUPTOR SELECTOR DE TELAS EN REGULAR.



BAR CHART ABOVE REPRESENTS ONE COMPLETE REVOLUTION OF TIMER SHAFT.

LE DIAGRAMME SUR LA GAUCHE REPRÉSENTE UNE ROTATION COMPLÈTE DE L'ARBRE DE LA MINUTERIE.

SHADED PORTION OF BAR CHART INDICATES THE PROPORTIONAL TIMES THAT INTERNAL TIMER CONTACTS ARE CLOSED.

LA PARTIE OMBRÉE DU DIAGRAMME INDIQUE LE TEMPS RELATIF PENDANT LEQUEL LES CONTACTS INTERNES DE LA MINUTERIE SONT FERMÉS.

A PULSAR CAM, LOCATED NEXT TO THE BUZZER CAM AND ROTATING AT 12 REVOLUTIONS PER HOUR, ALLOWS CIRCUITS "X-H" TO CLOSE FOR 5 SECONDS (±3 SECONDS).

UNE CAME D'IMPULSION SITUÉE À CÔTÉ DE LA CAME DE L'AVERTISSEUR ET TOURNANT À RAISON DE 12 TOURS À L'HEURE PERMET AU CIRCUIT «X-H» DE SE FERMER PENDANT 5 SECONDES (±3 SECONDES).

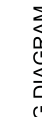
EL GRAFICO DE BARRAS DE LA IZQUIERDA REPRESENTA UNA REVOLUCION COMPLETA DEL EJE DEL CRONIZADOR.

LA PORCION SOMBRREADA DEL GRAFICO DE BARRAS INDICA LOS TIEMPOS PROPORCIONALES QUE LOS CONTACTOS INTERNOS DEL CRONIZADOR ESTAN CERRADOS.

UNA LEVA GENERADORA DE IMPULSOS, UBICADA JUNTO A LA LEVA DEL ZUMBADOR Y GIRANDO A 12 REVOLUCIONES POR HORA, PERMITE QUE EL CIRCUITO "X-H" SE CIERRE DURANTE 5 SEGUNDOS (±3 SEGUNDOS).



A 1 OR 2 TIMES IN THIS AREA



B 5 TO 7 TIMES IN THIS AREA

A 1 OU 2 FOIS DANS CETTE SECTION

B DE 5 À 7 FOIS DANS CETTE SECTION

A 1 O 2 VECES EN ESTA AREA

B 5 A 7 VECES EN ESTA AREA

WIRING DIAGRAM
SCHEMA DE CÂBLAGE
DIAGRAMA DE CONEXIONES
134067000