

FACTORY PARTS CATALOG DRYER

Frigidaire

 **Electrolux**



PRODUCT NO.	BASE MODEL NO.	SERIES	COLOR	VOLTS
CRER5700AS1	CRER5700A	Frigidaire	white	240
MARKET				
North America				

WIRING DIAGRAM - # 134054800
OWNER'S GUIDE - # 131883500
INSTALLATION INSTRUCTIONS - # [134198100](#)

**ELECTRIC
DRYER**

**Model No.
CRER5700A**

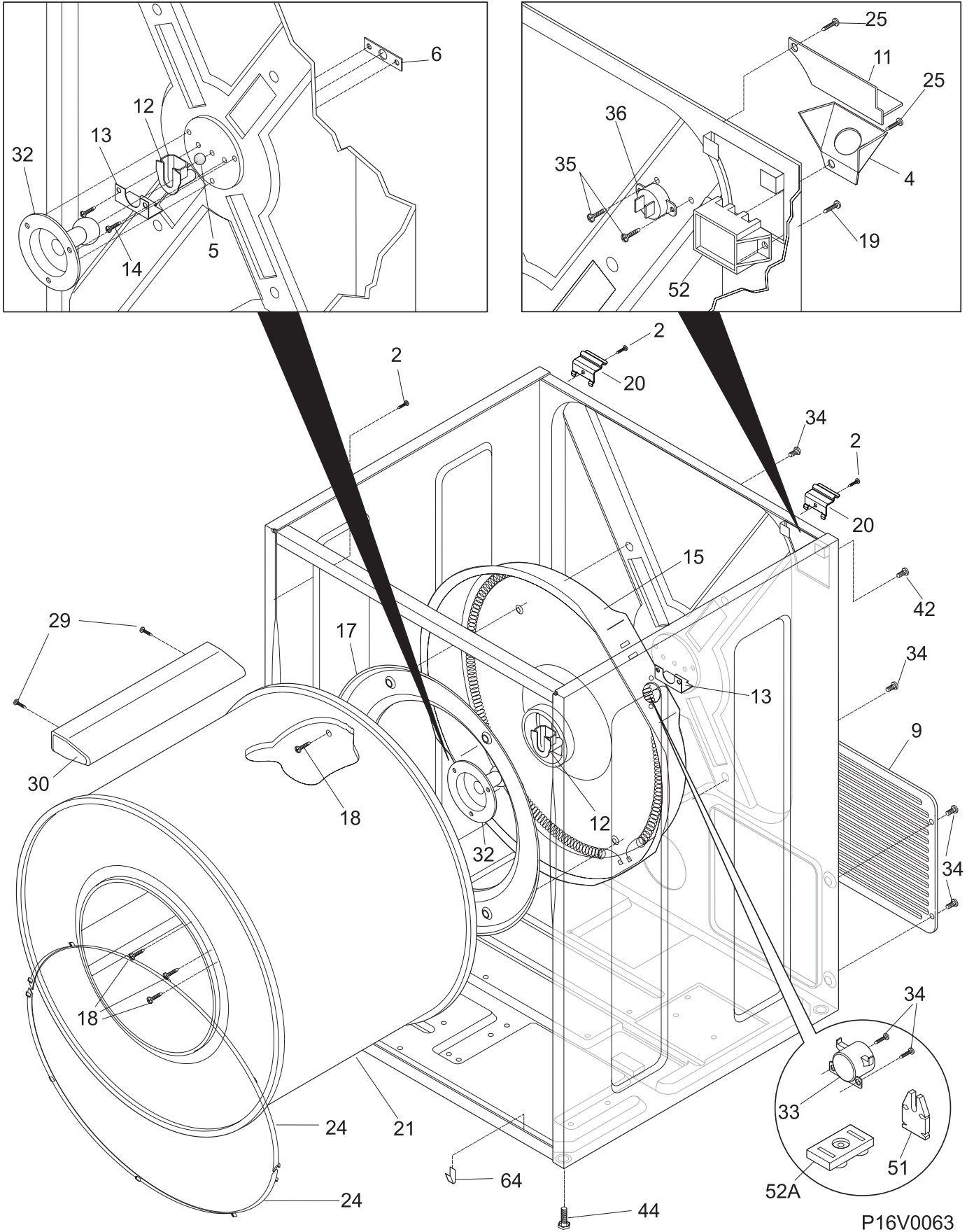
 **Electrolux**

ELECTROLUX HOME PRODUCTS, INC.
P.O. BOX 212378, Augusta, GA 30917

Publication No.
5995380663
021101
-EN/SERVICE /ECL
361

©2002 Electrolux Home Products, Inc.
All rights reserved

CABINET/DRUM

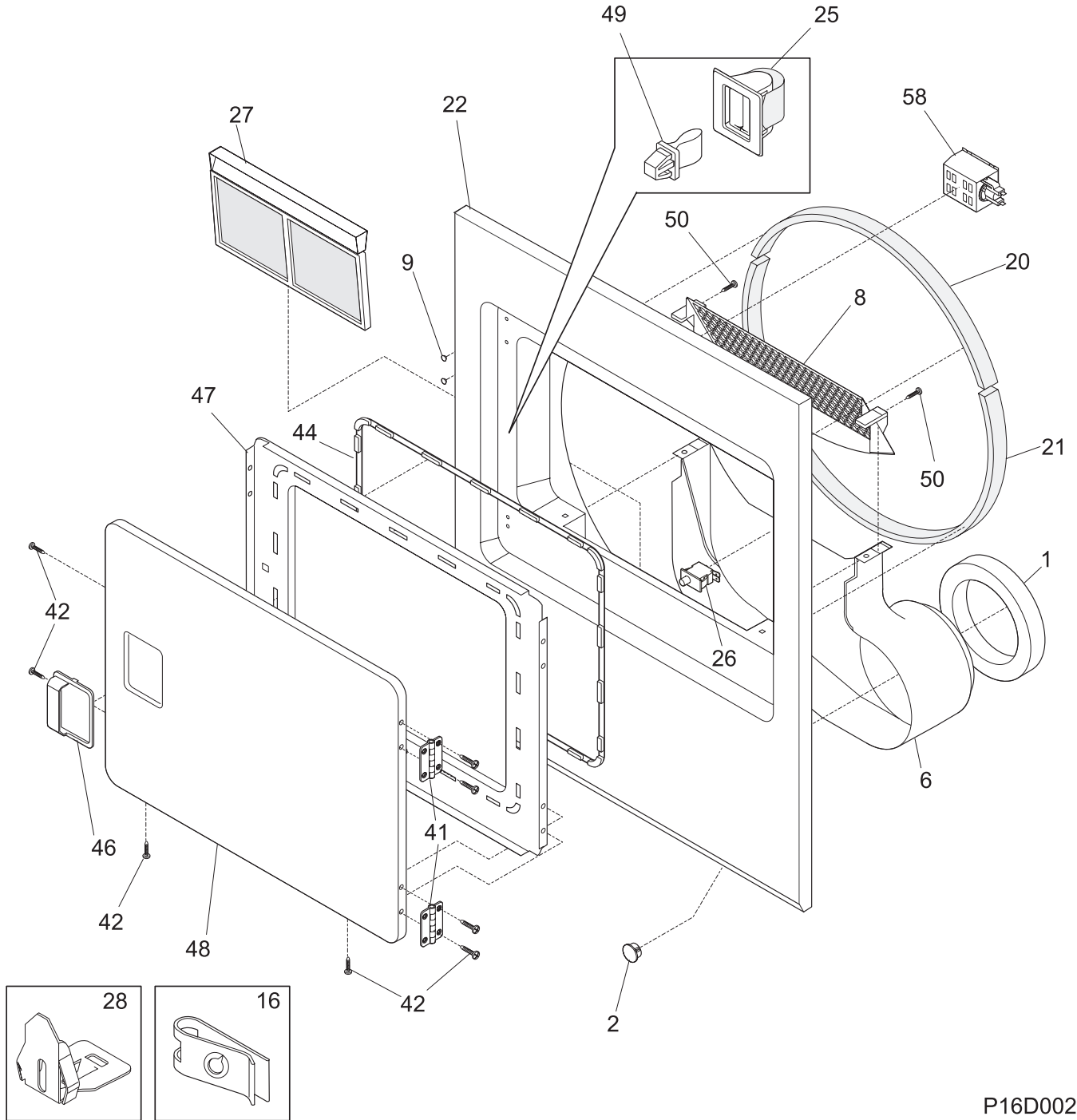


P16V0063

CABINET/DRUM

POS. NO	PART NO	DESCRIPTION
2	131168200	Screw,pan head ,8-18B x 0.31
4	131785200	Bracket,elec power cord ,knock out
5	5303281019	Ball
6	5303281020	Clip,ball ,steel ,flat nut
9	131793201	Panel,access ,rear
11	5303211428	Cover,terminal block
12	131825900	Bearing,drum support
13	131724300	Bracket,bearing support
14	131205400	Screw,bracket mtg. ,10-16B x 1.375 ,cr/sq drive
15 #	131553900	Heater Assy,w/housing/felt
17	3204254	Baffle,heater shield
18	131477000	Screw,shaft/baffle mt ,10-16AB x 0.375 ,special
19	131205300	Screw,10-16 x 0.750
20	131469100	Bracket,hinge ,rear ,top panel mtg.
21	134122532	Drum,dryer ,galvanized stl. ,service kit
24	131963900	Glide,drum
25	5303015671	Screw,hex washer head ,8-18 x 0 .375 ,cup point
29	131382300	Screw,quadrex head ,10-14 x 1.00 ,vane mtg.,special
30	5303201200	Vane,straight
32	131777700	Shaft,drum support ,ballhitch
32*	5303307893	Lubricant,high temp
33 #	3204267	Thermostat,safety
34	131243700	Screw,pan head ,8-18AB x 0.375 ,cr/sq drive
35	131892100	Screw,6-20B x 0.230
36 #	134120900	Thermal Limiter
42	131209600	Screw,flat head ,8-18AB x 0.44 ,cr/sq drive
44	134158000	Screw,leveling leg
51	131472100	Insulator,heater housing
52	134101400	Terminal Block,main
52A	3202786	Terminal Block,heater housing
64	131704600	Clip
* #	5303281153	Rear Bearing Kit,includes 5,6 ,12,13,14,18,32

FRONT PANEL/LINT FILTER

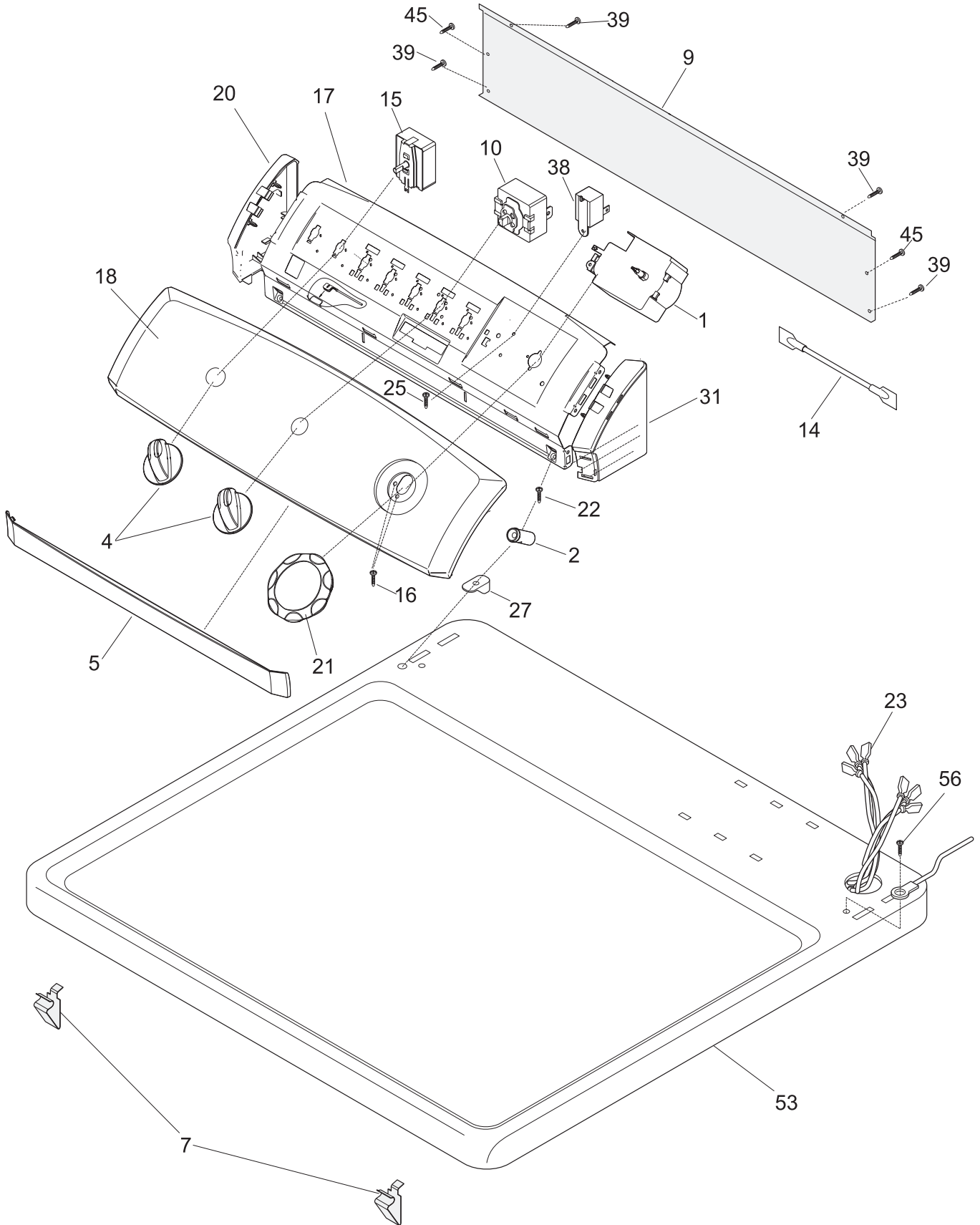


P16D0025

FRONT PANEL/LINT FILTER

POS. NO	PART NO	DESCRIPTION
1	134063300	Seal,air duct
2	131397000	Plug,dome ,white
6	131621900	Duct,air
8	131622202	Cover,lint housing
9	131633200	Plug,white
16	131063700	Clip,wiring
20	134036400	Seal,felt ,upper
*	5308027429	Adhesive,high temp
21	134134700	Seal,felt ,lower
22	131845912	Panel,front ,white ,w/light hole
25	131658800	Door Catch
26 #	131843101	Switch,door ,with drum light
27	131450300	Trap,lint blade assy
28	5303281074	Clip,guide ,(3)
41	131627500	Hinge,door
42	131209600	Screw,flat head ,8-18AB x 0.44 ,cr/sq drive
44	131129900	Gasket,door seal
46	131644700	Handle,door ,white
47	131844104	Panel,inner door ,white
48	131789303	Panel,outer door ,white
49	5303211430	Door Strike
50	131303300	Screw,pan head lock ,10-16AB x 0.500
58 #	131843500	Lamp Assy,drum light
58*#	131862800	• Lamp
*	131474700	Insulation

CONTROLS/TOP PANEL

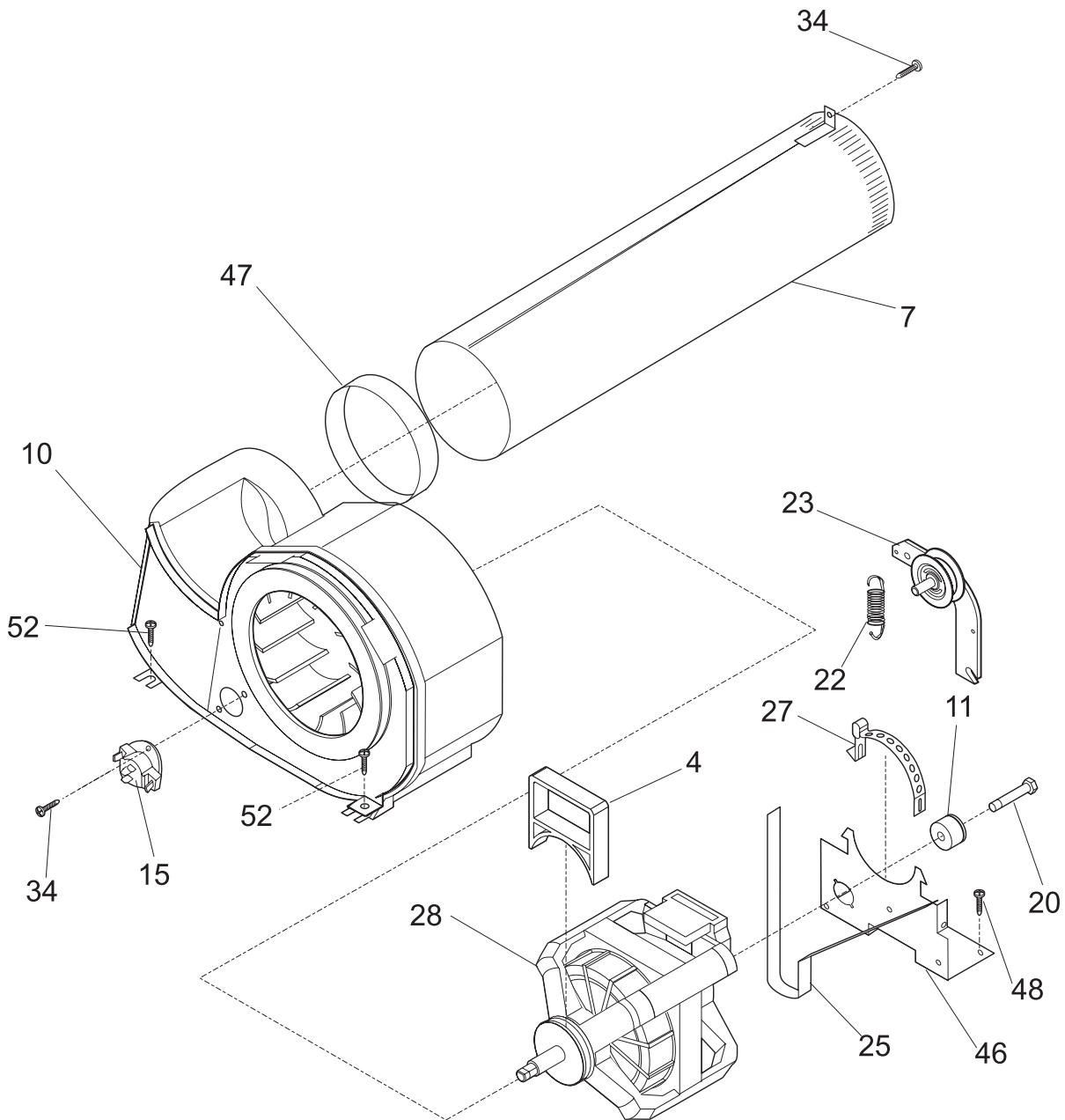


P16C0203

CONTROLS/TOP PANEL

POS. NO	PART NO	DESCRIPTION
1	131719100	Timer-dryer
2	134096100	Spacer,console mtg
4	134034900	Knob,rotary ,white
5	134019900	Closure,console trim ,front
7	3205821	Clip,top-to-front
9	131992900	Panel,backsheet ,console
10 #	131447800	Switch,start ,turn type
14 #	3205243	Resistor,power ,4.4 kilohm ,with terminal
15 #	131259200	Switch-temperature
16	134034300	Screw,pan hd phillips ,8-18B x 0.250
17	131993010	Bracket,control mtg.
18	134155400	Trimplate FDE/B2PSHZ
20	134019610	End Cap,white ,LH
21	134035500	Knob,timer ,white/gray
22	131266300	Screw,cr oval head ,8-18AB x 1.250 ,black
23 #	134109600	Harness-FSD wsh/PSH elec
25	5303015671	Screw,hex washer head ,8-18 x 0 .375 ,cup point
27	131197000	Clip,console mtg
31	134019600	End Cap,white ,RH
38 #	5303210285	Buzzer
39	131168200	Screw,pan head ,8-18B x 0.31
45	131205100	Screw,#8 pan head ,10-10B x 0.500 ,cr/sq drive
53	134086802	Panel,dryer top ,white ,console mtg
56	131243800	Screw,pan hd locking ,8-32CA x 0.375 ,brkt-to-top pnl

MOTOR



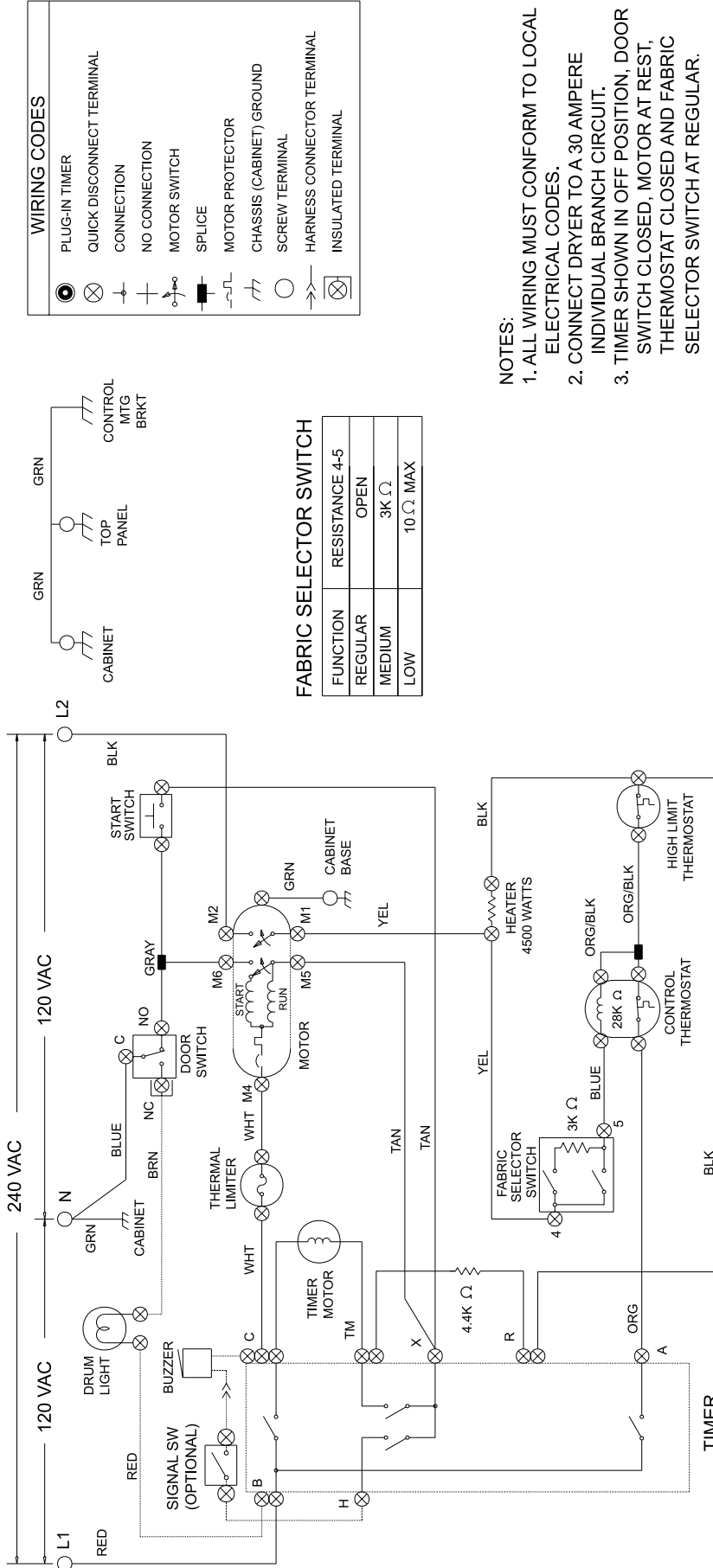
P16M0024

MOTOR

POS. NO	PART NO	DESCRIPTION
4	131435200	Lock,blower housing
7	131451600	Tube,exhaust ,rear ,w/mtg bracket
7*	131456800	Tube,exhaust ,side/bottom ,Optional Kit
10 #	131775600	Housing,blower assy ,cover & wheel
11	131749800	Spacer,idler
15 #	131298300	Thermostat,temp control
20	131017900	Screw,hex head ,1/4-20T x 1.25 ,spacer mtg.,thread cutting
22	131601000	Spring,idler arm
23 #	131863000	Idler Arm
25 #	134163400	Belt
27	131419800	Clamp,motor mtg.
28 #	131560100	Motor,main drive ,w/pulley
34	131243700	Screw,pan head ,8-18AB x 0.375 ,cr/sq drive
46	131601100	Bracket,motor mtg.
47	131633300	Seal,exhaust tube
48	131168200	Screw,pan head ,8-18B x 0.31
52	131303100	Screw,hex washer head ,10-16AB x 0.625

WIRING DIAGRAM

CAUTION: DISCONNECT ELECTRIC CURRENT BEFORE SERVICING



WIRING CODES

	PLUG-IN TIMER
	QUICK DISCONNECT TERMINAL
	CONNECTION
	NO CONNECTION
	MOTOR SWITCH
	SPLICE
	MOTOR PROTECTOR
	CHASSIS (CABINET) GROUND
	SCREW TERMINAL
	HARNESS CONNECTOR TERMINAL
	INSULATED TERMINAL

FABRIC SELECTOR SWITCH

FUNCTION	RESISTANCE 4-5
REGULAR	OPEN
MEDIUM	3K Ω
LOW	10 Ω MAX

- NOTES:**
1. ALL WIRING MUST CONFORM TO LOCAL ELECTRICAL CODES.
 2. CONNECT DRYER TO A 30 AMPERE INDIVIDUAL BRANCH CIRCUIT.
 3. TIMER SHOWN IN OFF POSITION, DOOR SWITCH CLOSED, MOTOR AT REST, THERMOSTAT CLOSED AND FABRIC SELECTOR SWITCH AT REGULAR.

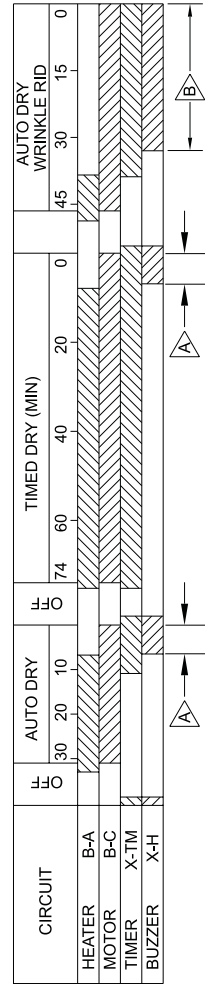
BAR CHART TO THE LEFT REPRESENTS ONE COMPLETE REVOLUTION OF TIMER SHAFT.

SHADED PORTION OF BAR CHART INDICATES THE PROPORTIONAL TIMES THAT INTERNAL TIMER CONTACTS ARE CLOSED.

A PULSER CAM, LOCATED NEXT TO THE BUZZER CAM AND ROTATING AT 12 REVOLUTIONS PER HOUR, ALLOWS CIRCUIT "X-H" TO CLOSE FOR 5 SECONDS (±3 SECONDS)

- A 1 OR 2 TIMES IN THIS AREA
- B 6 TO 8 TIMES IN THIS AREA

CYCLES



NOTE: DASHED LINES INDICATE CIRCUITS THAT ARE NOT IN ALL MODELS.

E

WIRING DIAGRAM
P/N 134054800