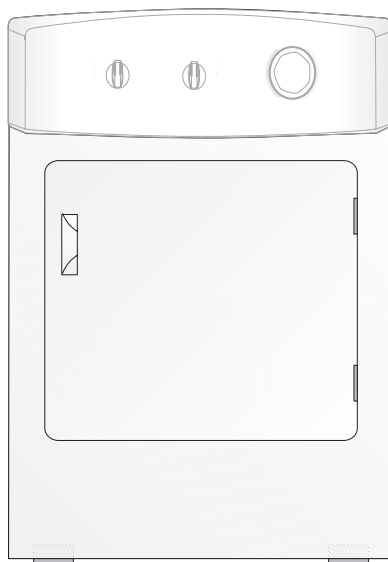


# FACTORY PARTS CATALOG ELECTRIC DRYER

*Frigidaire*



PRODUCT NO.	BASE MODEL NO.	COLOR
CRER5700AS0	CRER5700A	White

WIRING DIAGRAM - # 134054800  
OWNER'S GUIDE - # 131883500  
OPERATING INSTRUCTIONS - # 134145400

 **Electrolux**

ELECTROLUX HOME PRODUCTS NORTH AMERICA  
400 Des Moines St., Webster City IA 50595-1499

Publication No.  
5995375960  
020722  
ENG/SERVICE/JAM  
361

**ELECTRIC - DRYER**

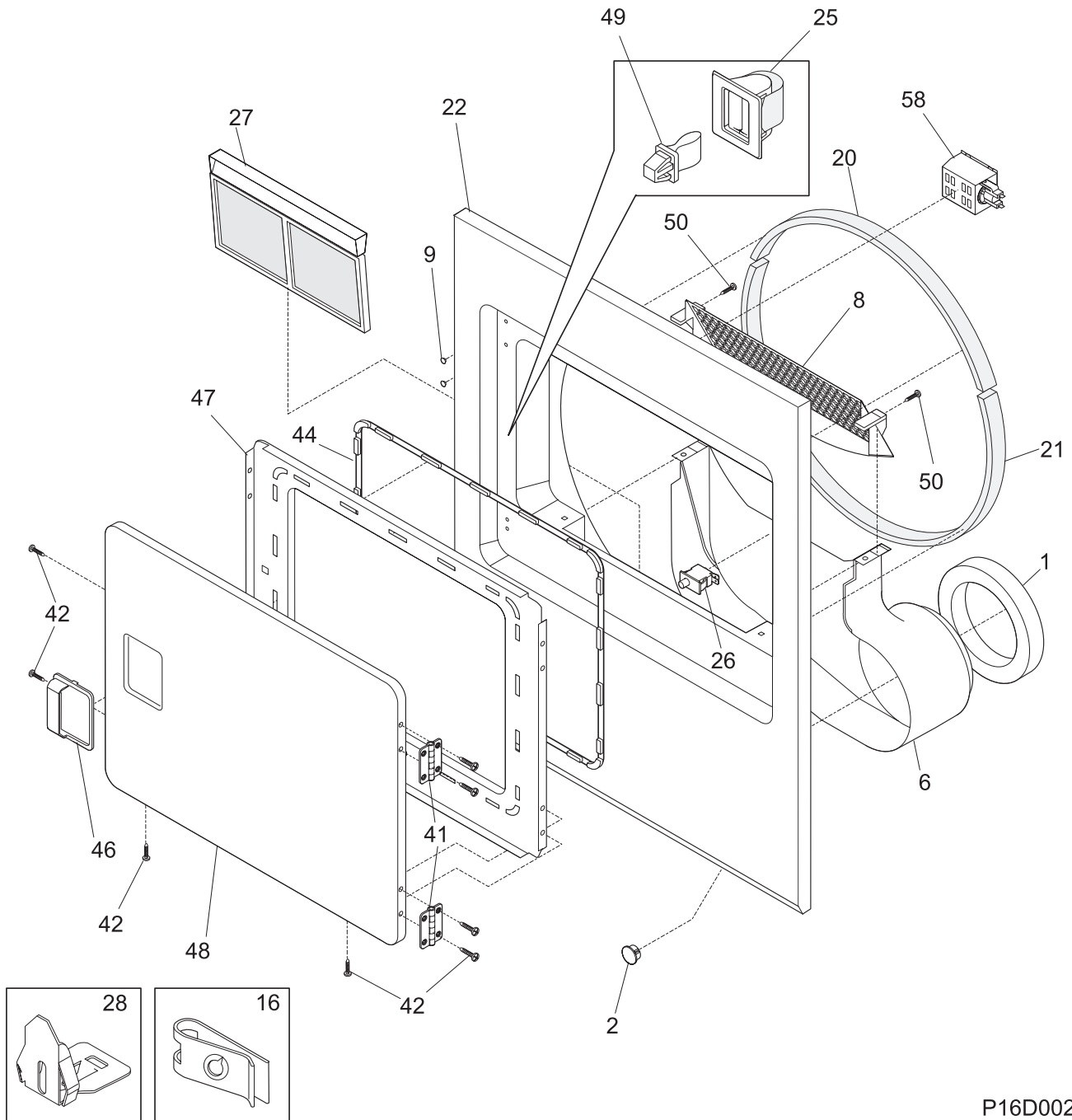
**Model No.  
CRER5700A**



## CABINET/DRUM

POS. NO	PART NO	DESCRIPTION
2	131168200	Screw, 8-18 x 0.31
4	131785200	Bracket-cord
5	5303281019	Ball
6	5303281020	Clip-ball
9	131793201	Panel-access
11	5303211428	Cover-term block
12	131825900	Bearing-drum support
13	131724300	Bracket-bearing
14	131205400	Screw-bracket, 10-16B x 1.375, cr/sq drive
15 #	131553900	Heater-hsg Assy
17	3204254	Baffle-heater
18	131477000	Screw-shaft & baffle, comb ph ab spl, 10-16 x .375
19	131205300	Screw, 10-16 x .75
20	131469100	Bracket-hinge
21	134122532	Asmy-drum galvanized
24	131963900	Glide-drum
25	5303015671	Screw, 8-18 x .375
29	131382300	Screw-vane, quadrex head, 10-14 x 1.00, special
30	5303201200	Vane
32	131777700	Asmy-shaft (ballhitch)
33 #	3204267	Thermostat-safety
34	131243700	Screw, pan head, 8-18AB x 0.375, cr/sq drive
35	131892100	Scr 6-20 x .230 pph b pt
36 #	134120900	Thermal Limiter
42	131209600	Screw, flat head, 8-18AB x 0.44, cr/sq drive
44	131527400	Leg-leveling
51	131472100	Insulator, heater housing
52	134101400	Block-terminal
52A	3202786	Block-terminal, heater hsg
64	131704600	Clip
* #	5303281153	Rear Bearing Kit, includes #5, 6, 12, 13, 14, 18, 32
*	5303307893	Lubricant, high temp

FRONT PANEL/LINT FILTER

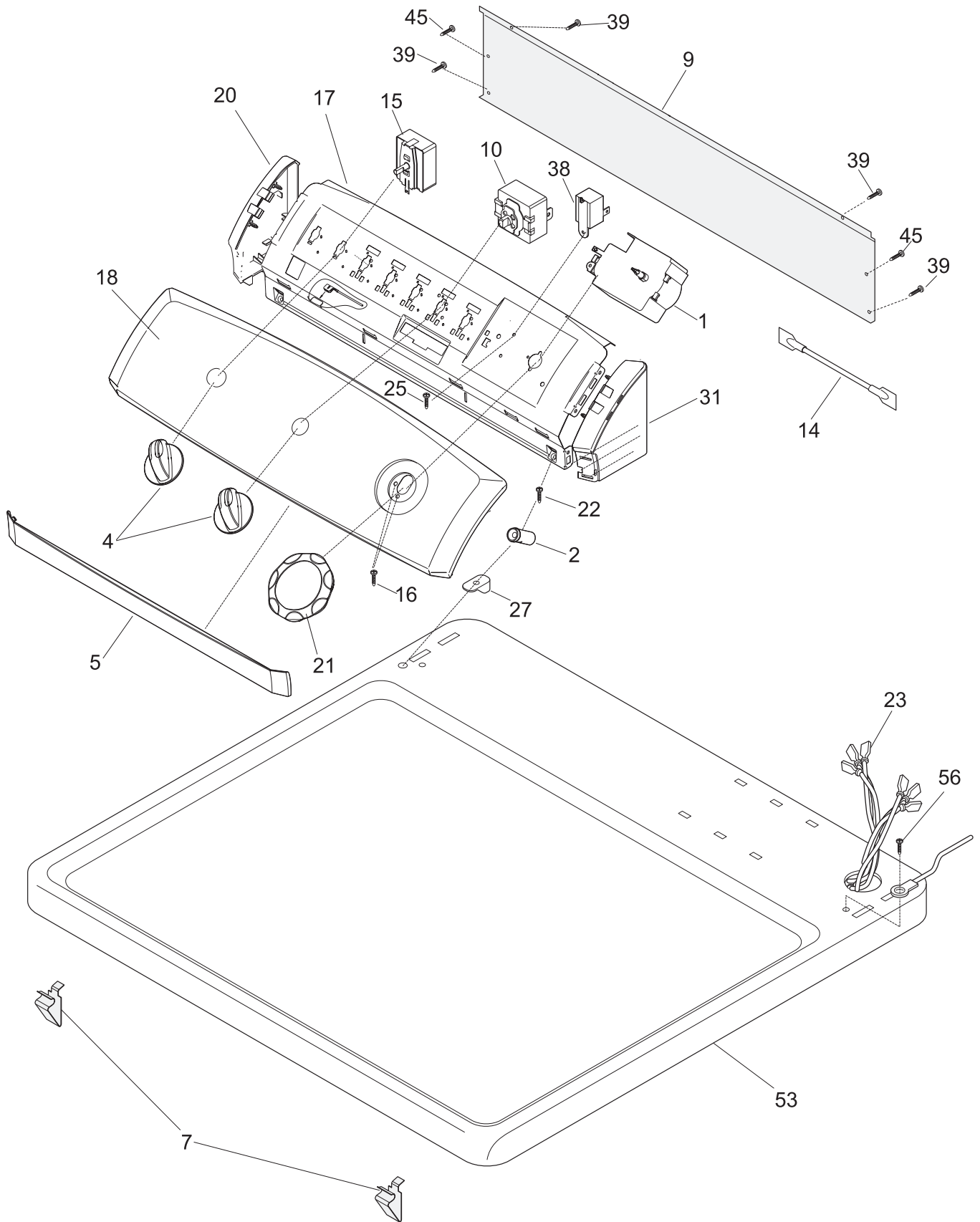


P16D0025

## FRONT PANEL/LINT FILTER

POS. NO	PART NO	DESCRIPTION
1	134063300	Seal-air duct 2.5# low perm
2	131397000	Plug-dome, white
6	131621900	Duct-air
8	131622202	Cover-lint housing
9	131633200	Plug, white
16	131063700	Clip-wiring
20	134036400	Felt-upper
21	134134700	Lower felt
22	131845912	Front panel w/lite wht
25	131658800	Catch-door
26	131843101	Switch-door w/drum light
27	131450300	Lint Trap
28	5303281074	Clip-guide (3)
41	131627500	Hinge-door
42	131209600	Screw, flat head, 8-18AB x 0.44, cr/sq drive
44	131129900	Gasket-door
46	131644700	Handle-door, white
47	131844104	Panel-inner door, white
48	131789303	Door-outer, white
49	5303211430	Strike-door
50	131303300	Screw-lock, ph ab, 10-16 x .50
58 #	131843500	Asmy-lamp
* #	5308027429	Adhesive, high temp
*	131474700	Insulation

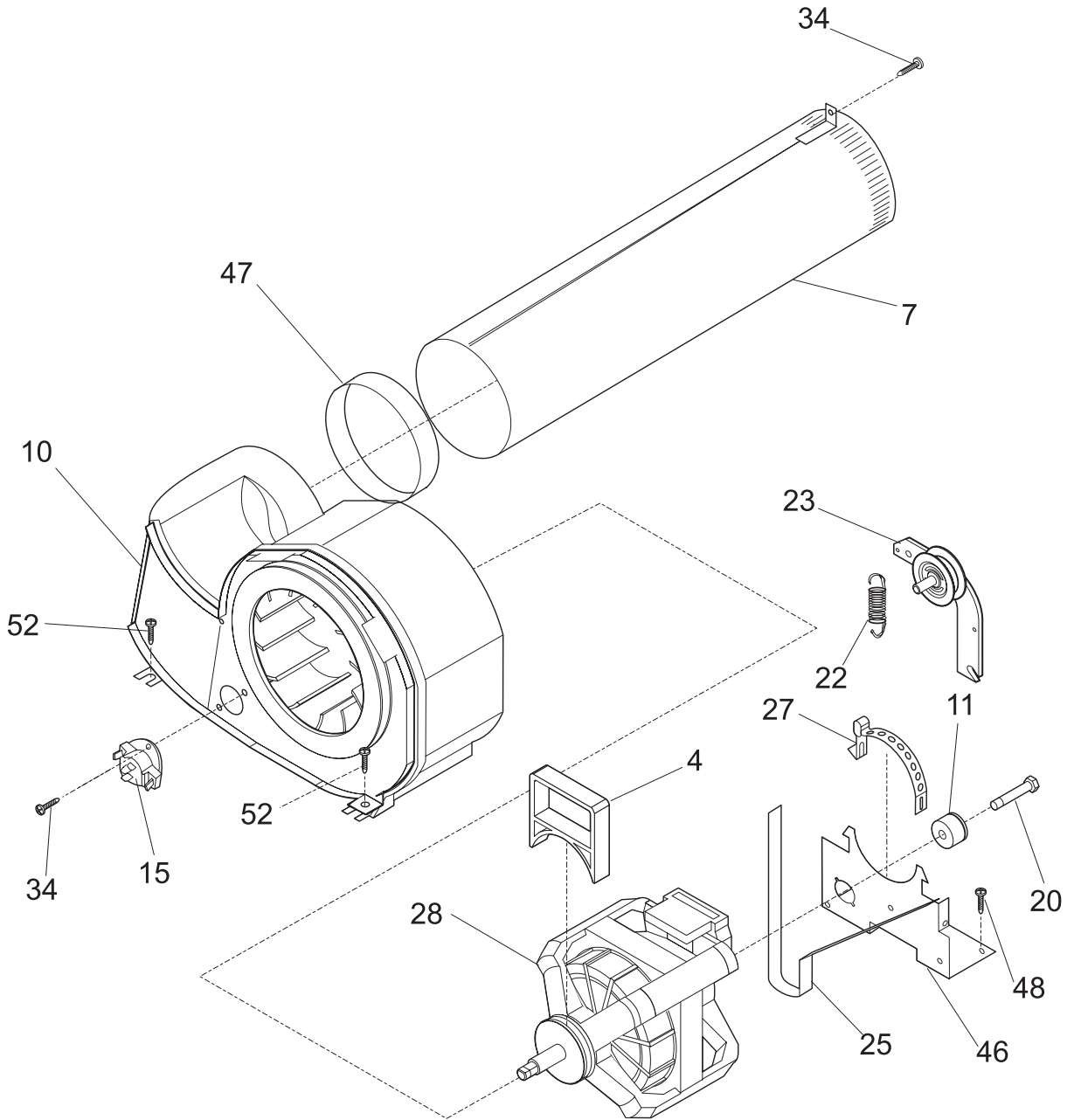
CONTROLS/TOP PANEL



P16C0203

## CONTROLS/TOP PANEL

POS. NO	PART NO	DESCRIPTION
1	131719100	Timer-dryer
2	134096100	Spacer-console mounting
4	134034900	Knob-rotary-wht "Z" cons
5	134019900	Closure-front-wht "Z" cons
7	3205821	Clip-top panel to front panel
9	131992900	Backsheet "Z" cons-FSD/TAW
10 #	131447800	Switch-start
14 #	3205243	Resistor-power, 4.4k
15 #	131259200	Switch-temperature
16	134034300	Screw
17	131993010	Brkt-cont mtg M520
18	134155400	Trimplate FDE/B2PSHZ
20	134019610	End cap-LH-wht "Z" cons
21	134035500	Asmy-knob-timer-dry wht/gray
22	131266300	Screw-end cap, cr oval head, 8-18AB x 1.250, black
23 #	134109600	Harness-FSD wsh/PSH elec
25	5303015671	Screw, 8-18 x .375
27	131197000	Clip-control panel
31	134019600	End cap-RH-wht "Z" cons
38 #	5303210285	Buzzer
39	131168200	Screw, 8-18 x 0.31
45	131205100	Screw, #8 pan head, 10-10B x 0.50, cr/sq drive
53	134086802	Panel-top FS wht
56	131243800	Screw-brkt top, pan hd locking, 8-32CA x 0.375, cr/sq drive



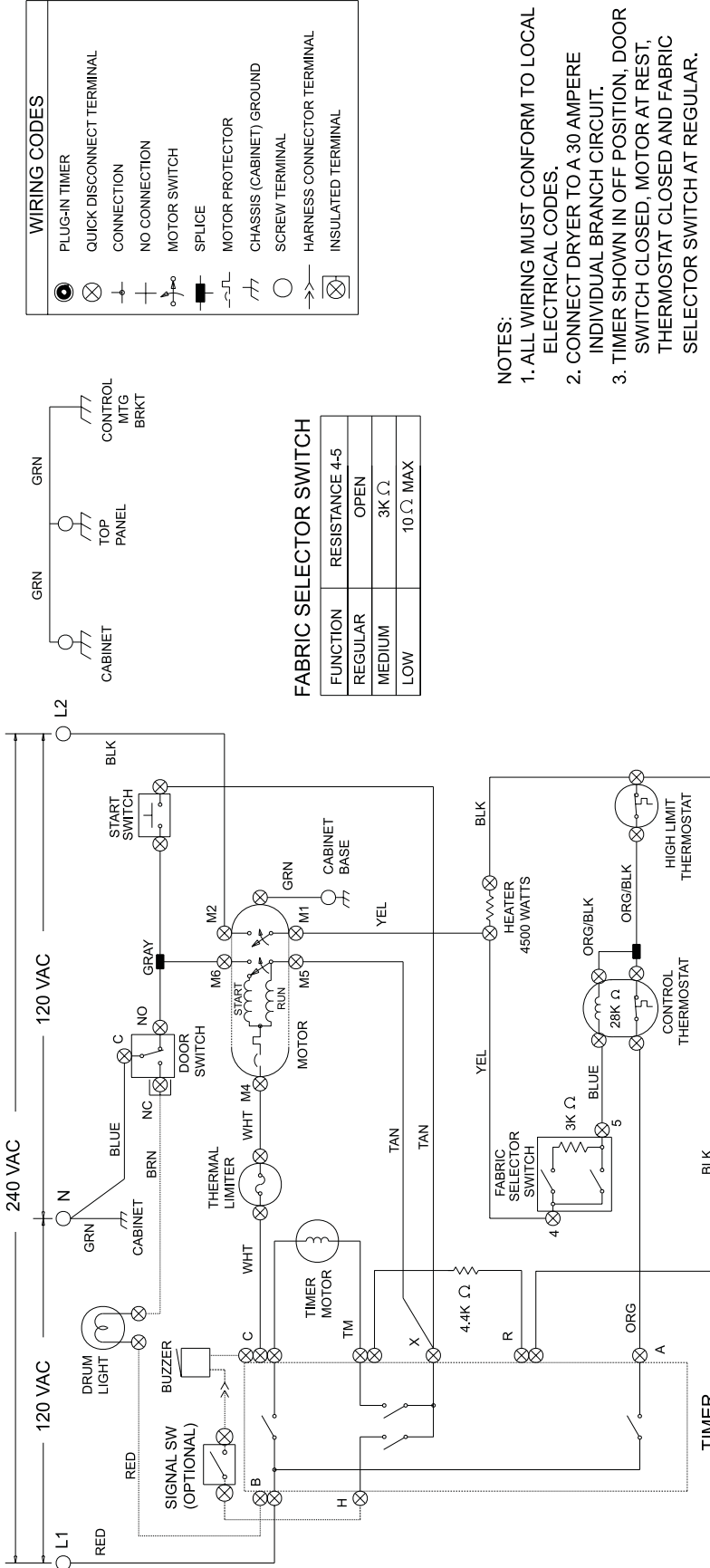
P16M0024

## MOTOR

POS. NO	PART NO	DESCRIPTION
4	131435200	Lock-fan housing
7	131451600	Tube-exhaust
10	131775600	Asmy-blwr hsg/cov/wheel
11	131749800	Spacer-idler
15 #	146808-000	Thermostat-control
20	131017900	Screw-spacer, hex head, 1/4-20T x 1.25, thread cutting
22	131601000	Spring-idler
23	131863000	Asmy-idler arm
25 #	5303283471	Belt-dryer
27	131419800	Clamp-motor
28 #	131560100	Motor-main, w/pulley
34	131243700	Screw, pan head, 8-18AB x 0.375, cr/sq drive
46	131601100	Bracket-motor
47	131633300	Seal-exhaust tube
48	131168200	Screw, 8-18 x 0.31
52	131303100	Screw, hwhd ab, 10-16 x .625
*	131456800	Tube Assy, exhaust

WIRING DIAGRAM

CAUTION: DISCONNECT ELECTRIC CURRENT BEFORE SERVICING



**WIRING CODES**

	PLUG-IN TIMER
	QUICK DISCONNECT TERMINAL
	CONNECTION
	NO CONNECTION
	MOTOR SWITCH
	SPLICE
	MOTOR PROTECTOR
	CHASSIS (CABINET) GROUND
	SCREW TERMINAL
	HARNESS CONNECTOR TERMINAL
	INSULATED TERMINAL

**FABRIC SELECTOR SWITCH**

FUNCTION	RESISTANCE 4-5
REGULAR	OPEN
MEDIUM	3K Ω
LOW	10 Ω MAX

- NOTES:**
1. ALL WIRING MUST CONFORM TO LOCAL ELECTRICAL CODES.
  2. CONNECT DRYER TO A 30 AMPERE INDIVIDUAL BRANCH CIRCUIT.
  3. TIMER SHOWN IN OFF POSITION, DOOR SWITCH CLOSED, MOTOR AT REST, THERMOSTAT CLOSED AND FABRIC SELECTOR SWITCH AT REGULAR.

BAR CHART TO THE LEFT REPRESENTS ONE COMPLETE REVOLUTION OF TIMER SHAFT.

SHADED PORTION OF BAR CHART INDICATES THE PROPORTIONAL TIMES THAT INTERNAL TIMER CONTACTS ARE CLOSED.

A PULSER CAM, LOCATED NEXT TO THE BUZZER CAM AND ROTATING AT 12 REVOLUTIONS PER HOUR, ALLOWS CIRCUIT "X-H" TO CLOSE FOR 5 SECONDS (±3 SECONDS)

- A 1 OR 2 TIMES IN THIS AREA
- B 6 TO 8 TIMES IN THIS AREA

NOTE:  
DASHED LINES INDICATE CIRCUITS THAT ARE NOT IN ALL MODELS.

**E**

WIRING DIAGRAM  
P/N 134054800

