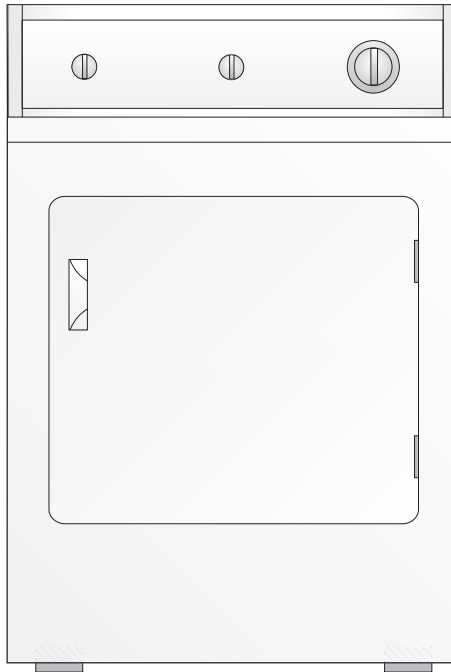


# FACTORY PARTS CATALOG DRYER

*Frigidaire*

 **Electrolux**



PRODUCT NO.	BASE MODEL NO.	SERIES	COLOR	VOLTS
CGR3600AS2	CGR3600A	Frigidaire	white	120
<b>MARKET</b>				
North America				

**WIRING DIAGRAM - # 131837200**  
**OWNER'S GUIDE - # 131883500**  
**INSTALLATION INSTRUCTIONS - # [134198100](#)**

 **Electrolux**

ELECTROLUX HOME PRODUCTS, INC.  
 P.O. BOX 212378, Augusta, GA 30917

Publication No.  
 5995390696  
 030515  
 -EN/SERVICE /ECL  
 361

**GAS**  
**DRYER**  
  
**Model No.**  
**CGR3600A**

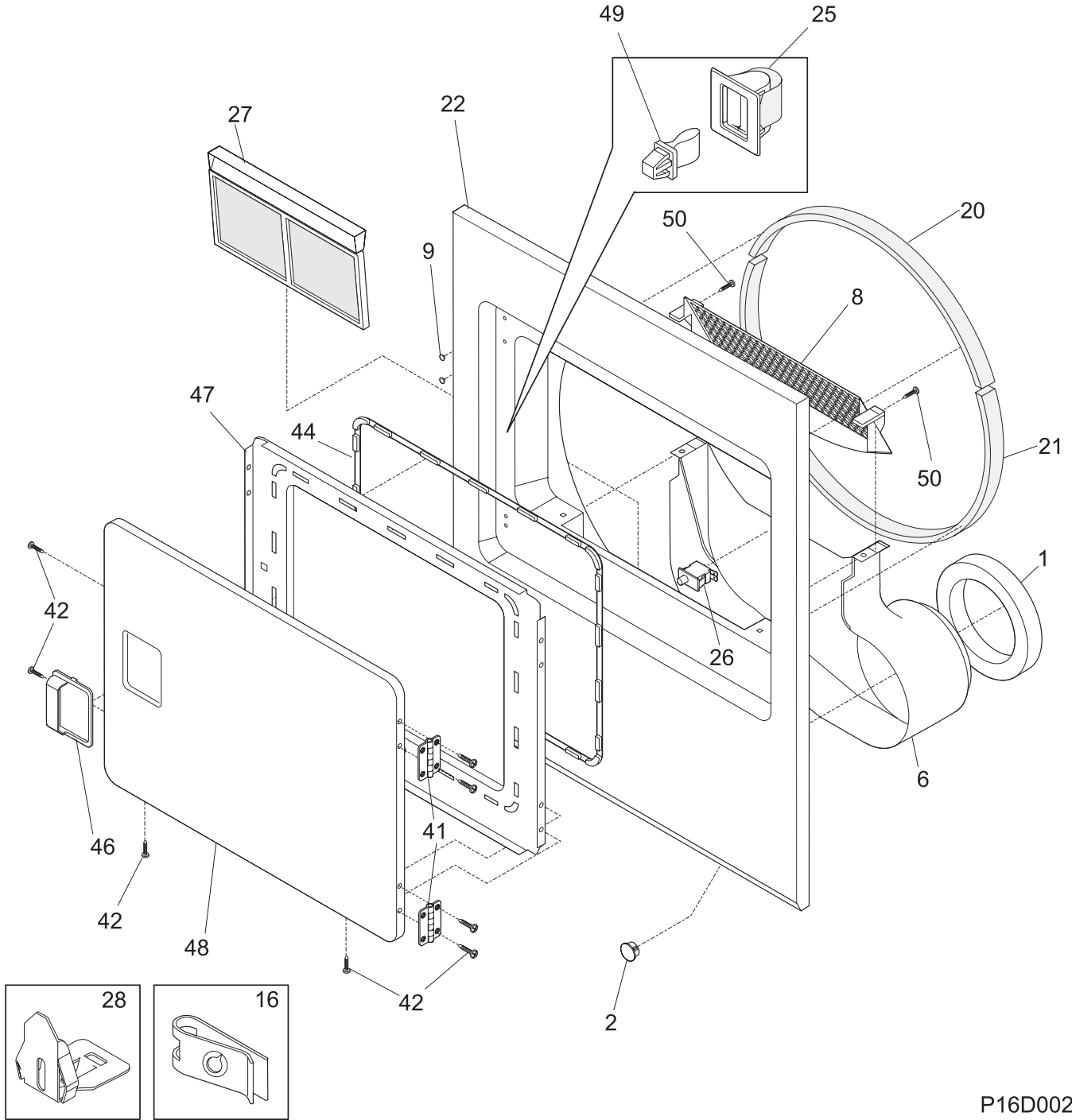
©2003 Electrolux Home Products, Inc.  
 All rights reserved



## CABINET/DRUM

POS. NO	PART NO	DESCRIPTION
2	131168200	Screw,pan head ,8-18B x 0.31
5	5303281019	Ball
6	5303281020	Clip,ball ,steel ,flat nut
9	131793201	Panel,access ,rear
11	131363200	Cover,terminal block
12	131825900	Bearing,drum support
13	131724300	Bracket,bearing support
14	131205400	Screw,bracket mtg. ,10-16B x 1.375 ,cr/sq drive
15 #	131600500	Housing,gas heater assy ,w/seal
18	131477000	Screw,10-16AB x 0.375
20	131469100	Bracket,hinge ,rear ,top panel mtg.
21	134122532	Drum,dryer ,galvanized stl. ,service kit
24	131963900	Glide,drum
25	5303015671	Screw,hex washer head ,8-18 x 0 .375 ,cup point
29	131382300	Screw,quadrex head ,10-14 x 1.00 ,vane mtg.,special
30	5303201200	Vane,straight
31 #	134102200	Power Cord,electric svce
32	131777700	Shaft,drum support ,ballhitch
32*	5303307893	Lubricant,high temp
33 #	5308015399	Thermostat,safety
34	131243700	Screw,pan head ,8-18AB x 0.375 ,cr/sq drive
37	131952100	Duct,heat
42	131209600	Screw,flat head ,8-18AB x 0.44 ,cr/sq drive
44	134158000	Screw,leveling leg
64	131704600	Clip
* #	5303281153	Rear Bearing Kit,includes 5,6 ,12,13,14,18,32

FRONT PANEL/LINT FILTER

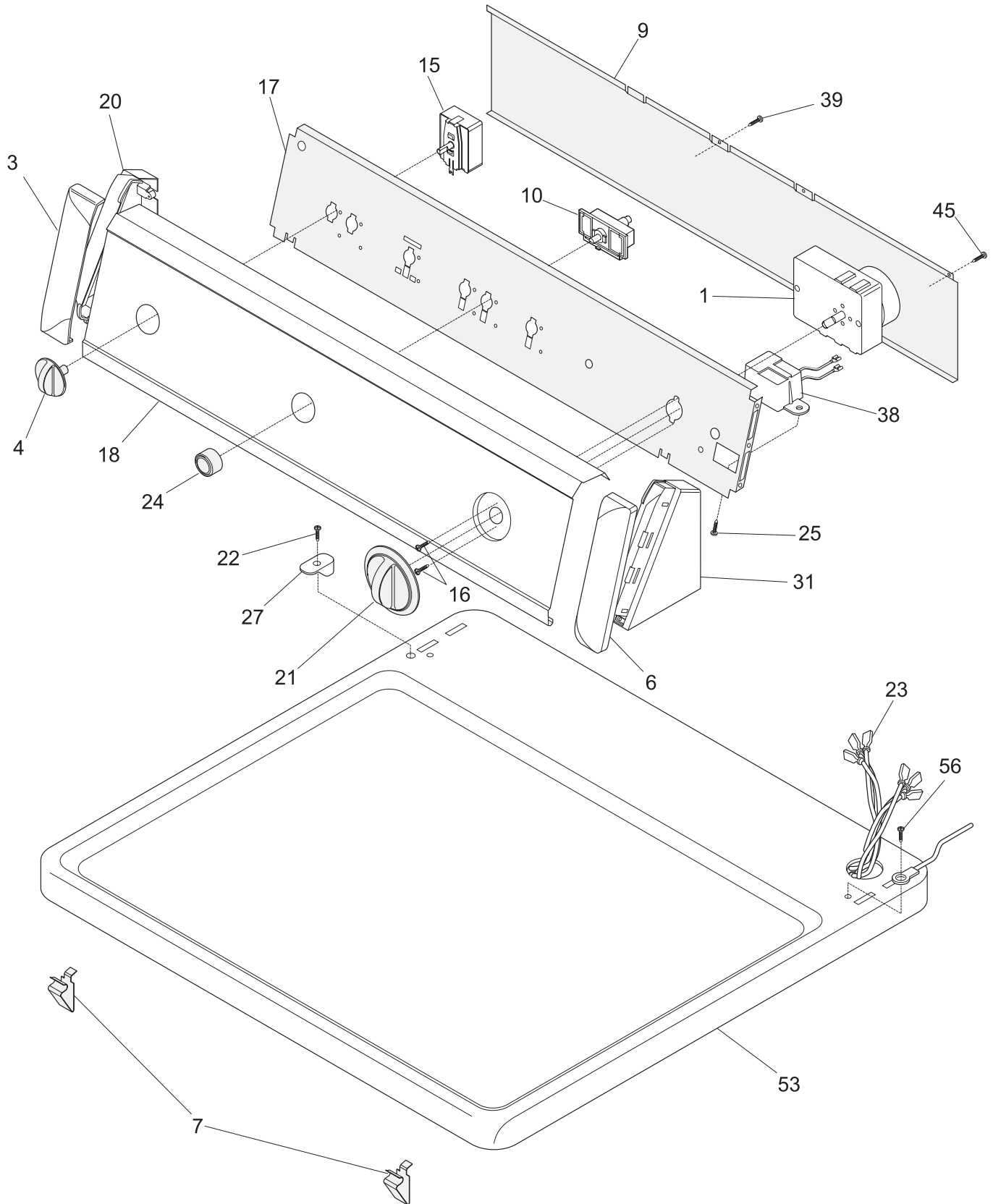


P16D0021

## FRONT PANEL/LINT FILTER

POS. NO	PART NO	DESCRIPTION
1	134063300	Seal,air duct
2	131397000	Plug,dome ,white
6	131621900	Duct,air
8	131622202	Cover,lint housing
9	131633200	Plug,white
16	131063700	Clip,wiring
20	134036400	Seal,felt ,upper
*	5308027429	Adhesive,high temp
21	134134700	Seal,felt ,lower
22	131845912	Panel,front ,white ,w/light hole
22*	131474700	Insulation
22*	131870700	Plug,light hole
25	131658800	Door Catch
26 #	131843100	Switch,door ,w/o drum light
27	131450300	Trap,lint blade assy
28	5303281074	Clip,guide ,(3)
41	131627500	Hinge,door
42	131209600	Screw,flat head ,8-18AB x 0.44 ,cr/sq drive
44	131129900	Gasket,door seal
46	131644700	Handle,door ,white
47	131844104	Panel,inner door ,white
48	131789303	Panel,outer door ,white
49	5303211430	Door Strike
50	131303300	Screw,pan head ,10-16AB x 0.500 ,locking

CONTROLS/TOP PANEL

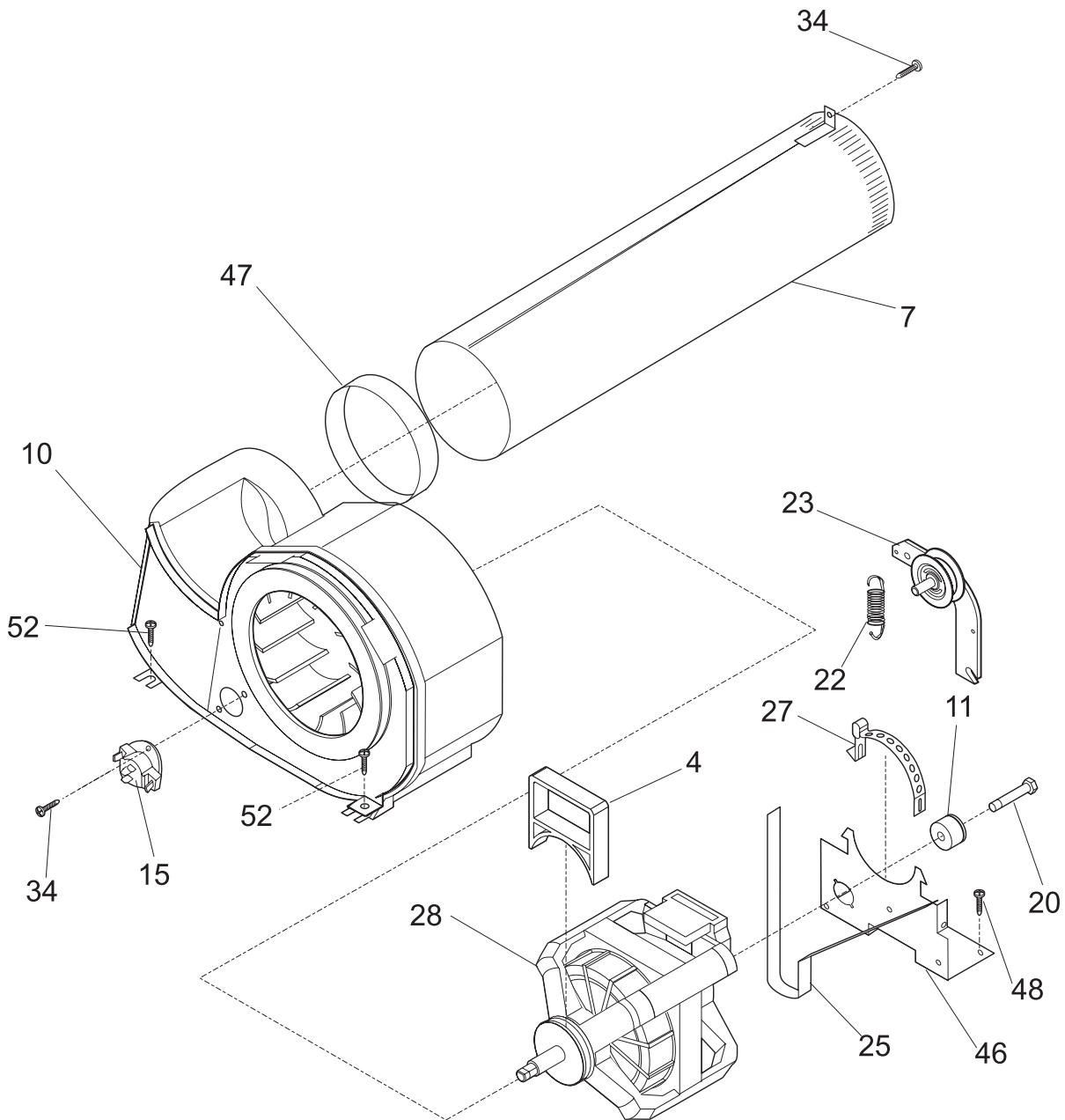


P16C0085

## CONTROLS/TOP PANEL

POS. NO	PART NO	DESCRIPTION
1 #	5303297139	Timer,dryer
3	131122611	Cover,end cap ,white ,LH
4	131141105	Knob,rotary ,white/dk gray
6	131122601	Cover,end cap ,white ,RH
7	3205821	Clip,top-to-front
9	134088700	Panel,console back
10 #	131469000	Switch,push/start
15 #	131243200	Switch,xrinse/temp/bzr ,2 position ,(2)
16	134034300	Screw,pan hd phillips ,8-18B x 0.250
17	131728900	Bracket,control mtg.
18	134155300	Panel,console ,white
20	131122711	End Cap,white ,LH
21	134011703	Knob,timer ,white/gray
22	131266330	Screw,8-18 x 1.250
23	134005000	Harn-FSD WSJ gas
24	131111501	Button,start switch ,white
25	5303015671	Screw,hex washer head ,8-18 x 0 .375 ,cup point
27	131197000	Clip,console mtg
31	131122701	End Cap,white ,RH
38 #	5303210285	Buzzer
39	131243700	Screw,pan head ,8-18AB x 0.375 ,cr/sq drive
45	131205100	Screw,#8 pan head ,10-10B x 0.500 ,cr/sq drive
53	134086802	Panel,dryer top ,white ,console mtg
56	131243800	Screw,pan hd locking ,8-32CA x 0.375 ,cup point

MOTOR

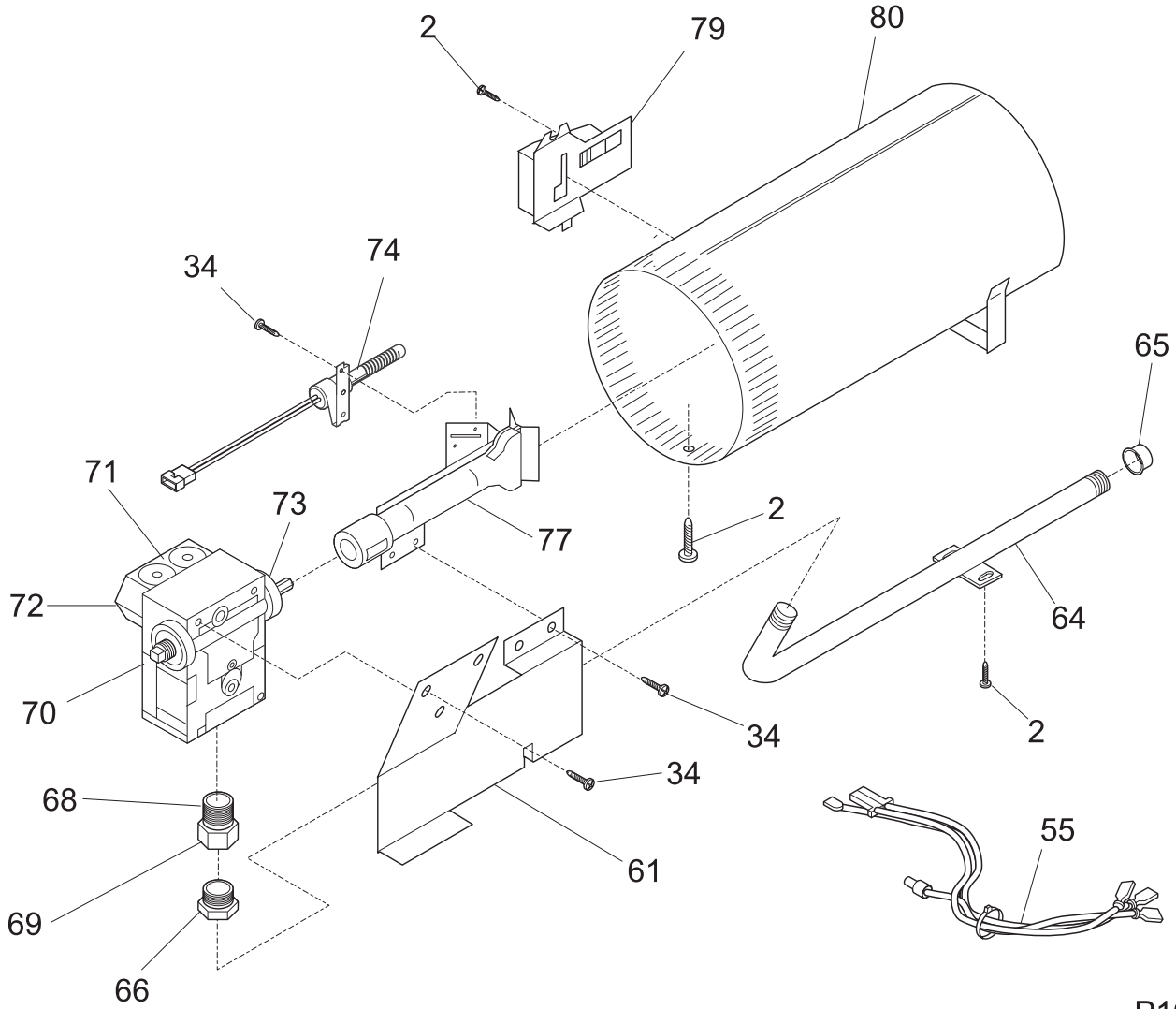


P16M0024

## MOTOR

POS. NO	PART NO	DESCRIPTION
4	131435200	Lock,blower housing
7	131451600	Tube,exhaust ,rear ,w/mtg bracket
7*	131456800	Tube,exhaust ,side/bottom ,Optional Kit
10 #	131775600	Housing,blower assy ,cover & wheel
11	131749800	Spacer,idler
15 #	131298400	Thermostat,temp control
20	131017900	Screw,hex head ,1/4-20T x 1.25 ,spacer mtg.,thread cutting
22	131601000	Spring,idler arm
23 #	131863000	Idler Arm
25 #	134163400	Belt
27	131419800	Clamp,motor mtg.
28 #	131560100	Motor,main drive ,w/pulley
34	131243700	Screw,pan head ,8-18AB x 0.375 ,cr/sq drive
46	134203400	Bracket,motor mtg
47	131633300	Seal,exhaust tube
48	131168200	Screw,pan head ,8-18B x 0.31
52	131303100	Screw,hex washer head ,10-16AB x 0.625

BURNER



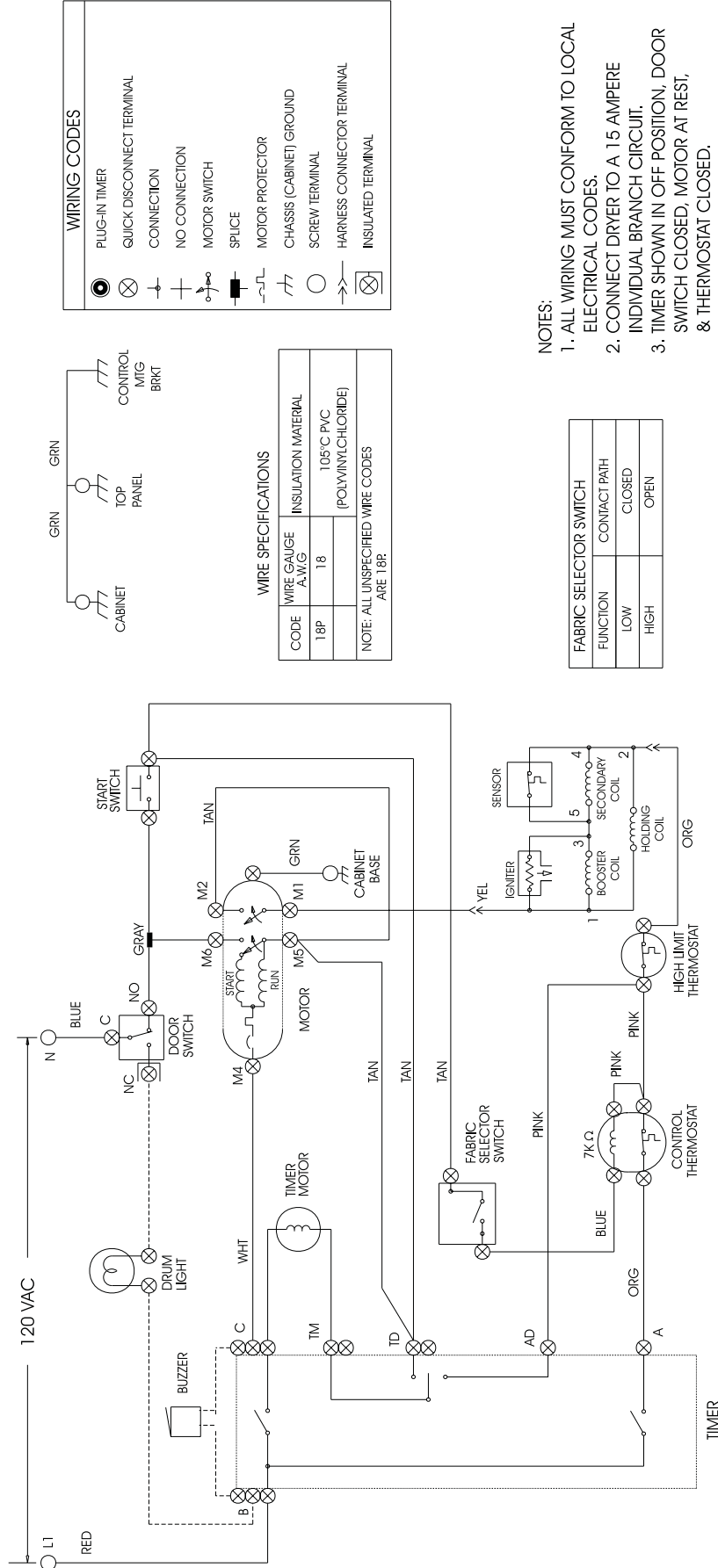
P16B0013

## BURNER

POS. NO	PART NO	DESCRIPTION
2	131168200	Screw,pan head ,8-18B x 0.31
34	131243700	Screw,pan head ,8-18AB x 0.375 ,cr/sq drive
55 #	134155800	Wiring Harness,gas valve
61	134185200	Bracket,burner mtg
64	134144900	Pipe,gas ,right angle
65	08015112	Cap,pipe
66	134128700	Bushing,coupler
68	134185100	Tail Piece,coupling
69 #	5308015194	Union,hex nut
70 #	5303207409	Valve,gas
71 #	5303307291	Coil,secondary
72 #	5303307292	Coil,booster
73 #	5303207410	Orifice,natural gas ,size 44
74 #	134192000	Ignitor Assy
77 #	131762900	Burner Assy,non-adjustable ,w/mtg bracket
77*	134214200	Clip,ignitor support
79 #	5303281135	Sensor,radiant
80 #	134156101	Tube,burner ,riveted
* #	131776600	LP Conversion Kit

WIRING DIAGRAM

CAUTION: DISCONNECT ELECTRIC CURRENT BEFORE SERVICING. LABEL ALL WIRES PRIOR TO DISCONNECTION WHEN SERVICING CONTROLS. WIRING ERRORS CAN CAUSE IMPROPER AND DANGEROUS OPERATION. VERIFY PROPER OPERATION AFTER SERVICING.



**WIRING CODES**

- ⊙ PLUG-IN TIMER
- ⊗ QUICK DISCONNECT TERMINAL
- CONNECTION
- + NO CONNECTION
- ⊕ MOTOR SWITCH
- SPICE
- MOTOR PROTECTOR
- CHASSIS (CABINET) GROUND
- SCREW TERMINAL
- HARNESS CONNECTOR TERMINAL
- ⊗ INSULATED TERMINAL

**WIRE SPECIFICATIONS**

CODE	WIRE GAUGE A.W.G.	INSULATION MATERIAL
18P	18	105°C PVC (POLYVINYLCHLORIDE)

NOTE: ALL UNSPECIFIED WIRE CODES ARE 18P

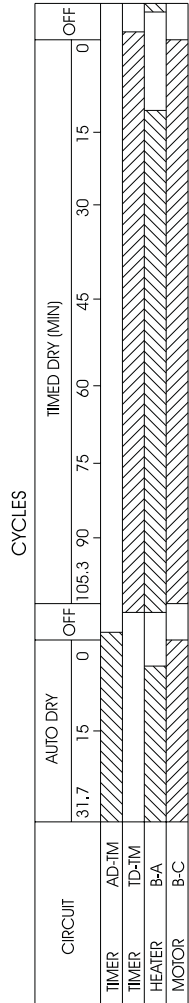
- NOTES:**
1. ALL WIRING MUST CONFORM TO LOCAL ELECTRICAL CODES.
  2. CONNECT DRYER TO A 15 AMPERE INDIVIDUAL BRANCH CIRCUIT.
  3. TIMER SHOWN IN OFF POSITION, DOOR SWITCH CLOSED, MOTOR AT REST, & THERMOSTAT CLOSED.

**FABRIC SELECTOR SWITCH**

FUNCTION	CONTACT PATH
LOW	CLOSED
HIGH	OPEN

NOTE: DASHED LINES INDICATE CIRCUITS THAT ARE NOT IN ALL MODELS.

BAR CHART TO THE LEFT REPRESENTS ONE COMPLETE REVOLUTION OF TIMER SHAFT. SHADED PORTION OF BAR CHART INDICATES THE PROPORTIONAL TIMES THAT INTERNAL TIMER CONTACTS ARE CLOSED.



WIRING DIAGRAM  
P/N 131837200