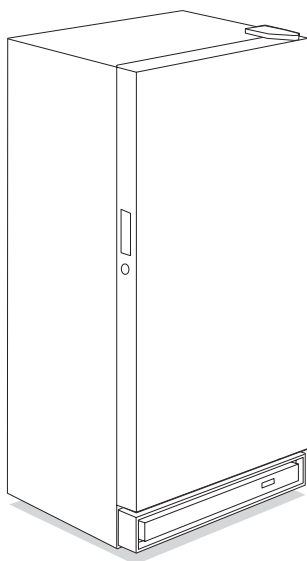


FACTORY PARTS CATALOG FREEZER

UNIVERSAL\MULTI-FLEX



PRODUCT NO.	BASE MODEL NO.	SERIES	COLOR	VOLTS
CFU21M3HW0	CFU21M3H	134A	white	115
MARKET				
North America				

WIRING DIAGRAM - # 216569200
OWNER'S GUIDE - # 216602400
SERVICE DATA SHEET - #216569200

 **FRIGIDAIRE**
HOME PRODUCTS

101 Masters Blvd.
Anderson, SC 29624

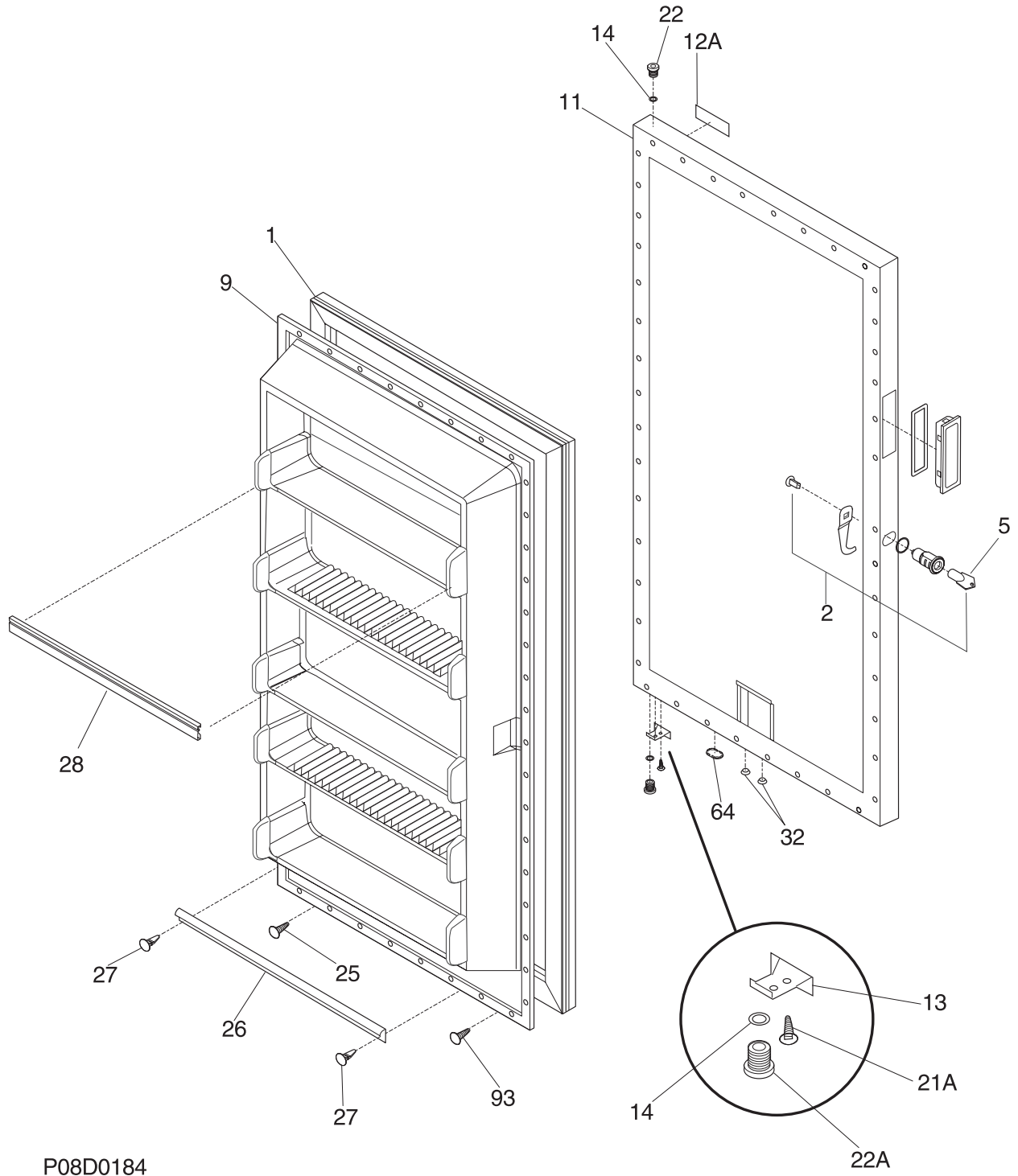
Publication No.
5995321170
990416
-EN/SERVICE /GS
365

FREEZER

Model No.
CFU21M3HW0

©1999 White Consolidated Industries, Inc.
All rights reserved

DOOR

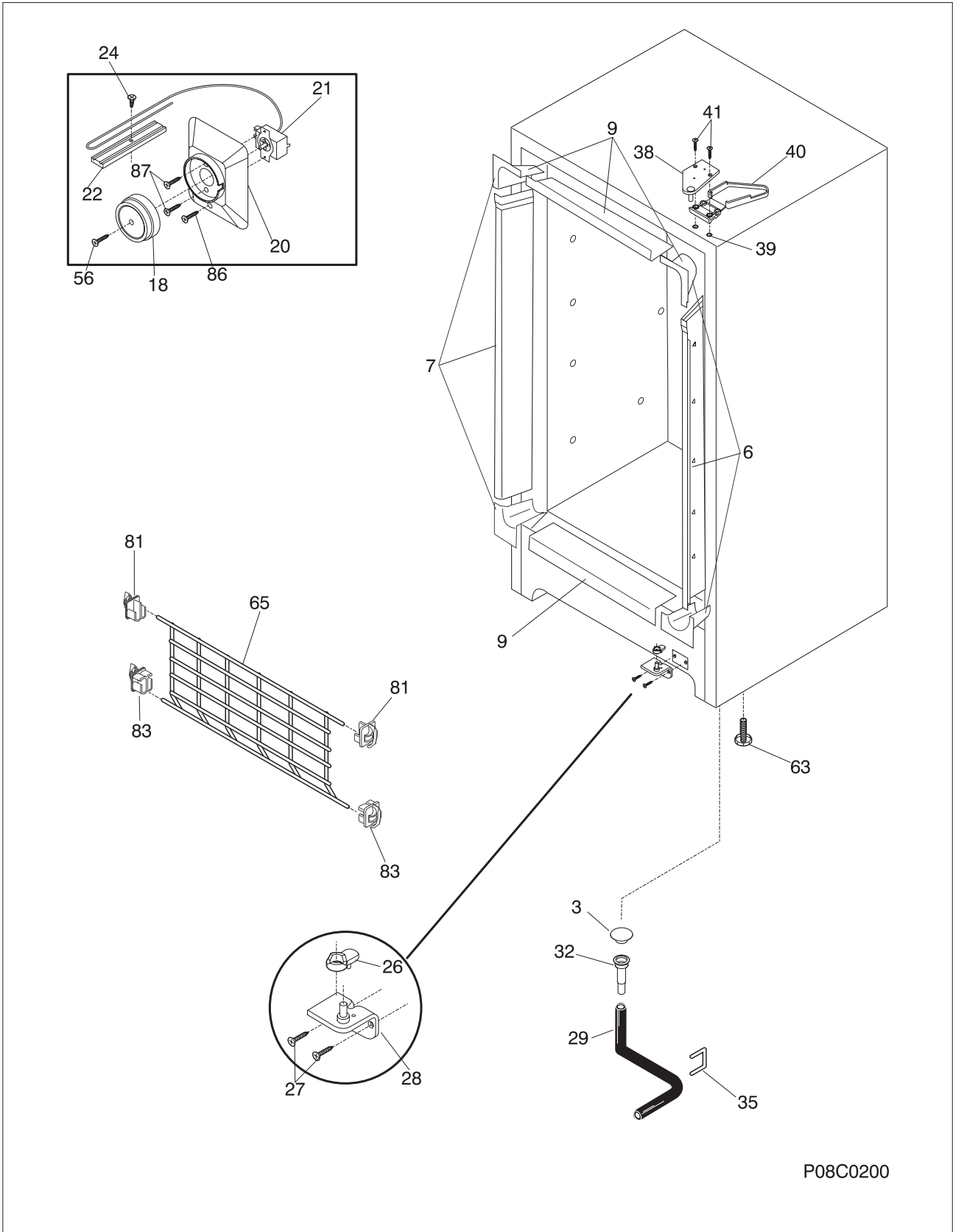


P08D0184

DOOR

POS. NO	PART NO	DESCRIPTION
1	216522312	Gasket-door,white
2 #	5303925107	Lock Assy
5 #	216388700	Key,lock
9	216528107	Panel-inner door,white
11	216531201	Panel-outer door,white ,chrome handle
12A	216373000	Frame-nameplate
13	08016354	Door Stop
14	5303313518	Washer,sealing
21A	08005520	Screw-door stop mtg,flat hd metric ,4.0 x 0.7-19.7
22	216443600	Bearing
22A	216503200	Bearing-hinge,btm
25	216022800	Screw,washer head ,8-18 X 1/2
26	216524200	Gasket,secondary
27	5303212828	Clip,panel
28	216523100	Rack-shelf
32	5309950074	Valve-breather
64	216403700	Plug-button,base door
93	5303161215	Screw
*	5303925098	Insulation

CABINET



P08C0200

CABINET

POS. NO	PART NO	DESCRIPTION
3	216502600	Plug-drain,exterior
6	216604100	Breaker Kit w/corners
7	216603600	Breaker Kit w/corners,lock catch
9	216603300	Breaker Kit w/corners,32" ,top or bottom
18	216591802	Knob,temp control
20	5303288184	Cover-control housing
21 #	216260400	Control-temperature
22	08037931	Clamp,cap tube ,cold control
24	5300052943	Screw-clamp,truss hd cr ,control
26	216503300	Ramp,closer ,door
27	5303205738	Screw-hinge,cr ,1/4-20 x 1.000 ,btm
28	216247400	Hinge-bottom
29	216313500	Hose-drain
32	5308005500	Drain
35	216273000	Clip,drain hose
38	5303925086	Hinge-upper
39	5303294372	Nut-insert,hinge
40	5303212912	Cover-hinge
41	5303212937	Screw-top hinge
56	09950853	Screw-control knob,phillips ,4-40 x 3/8
63	216396900	Foot-adjustable
65	216443500	Drop front
81	216571000	Support-drop front,top
83	216571100	Support-drop front,btm
86	216036600	Screw,rwhd (gx-ca) ,8-32 x 1/2
87	08037849	Screw
*	09948773	Insulation,drain tube
*	5303305324	Paint,touch-up ,white

SYSTEM

POS. NO	PART NO	DESCRIPTION
1	5300083897	Condenser
3	216097900	Trim-shelf,evaporator,OPTIONAL
4	216634500	Drier-filter
5 #	216555500	Wiring-diagram,main
6	3091418	Support-shelf,front LH
7	08037928	Support-shelf,front RH
11	216474600	Support-rear shelf
12	216225700	Grommet-spacer
13	216138900	Screw,hex sems ,8-18AB x 1.00 ,evap
15A#	216401500	Heat Exchanger
26	216511900	Spacer tube,(3)
27	216498900	Grommet,compressor
29	216639700	Compressor,Service
30 #	216594300	Starter
31 #	216100115	Overload Protector
32	5303006412	Strap-cover mtg
34	5306594529	Sleeve-compressor
35	5303272328	Screw,Ind hex sems ,1/4-28 unfx ,compressor
36 #	216070900	Grid-top evaporator
37 #	216071000	Shelf-top evaporator
38 #	216071100	Shelf-middle evaporator
39 #	216071200	Shelf-third evaporator
40 #	216071300	Shelf-bottom evaporator
43A	216629700	Clip-harness
53	08006982	Cover-terminal
86	216036600	Screw,rwhd (gx-ca) ,8-32 x 1/2