

UNIVERSAL/MULTIFLEX

Factory Parts Catalog

Product No.	CFC05M0AW6
Series	134A
Color	white
Volts	115
Wiring Diagram	297010700
Owner's Guide	216961000
Market	North America
Energy Guide	216793804

 **Electrolux**

ELECTROLUX HOME PRODUCTS, INC.
P.O. Box 212378
Augusta, GA 30917

Publication No.
5995429825
05/02/23
(EN/SERVICE/)
365

FREEZER CHEST

Model No.
CFC05M0AW

Copyright © 2005 Electrolux Home Products, Inc.
All rights reserved.

DOOR

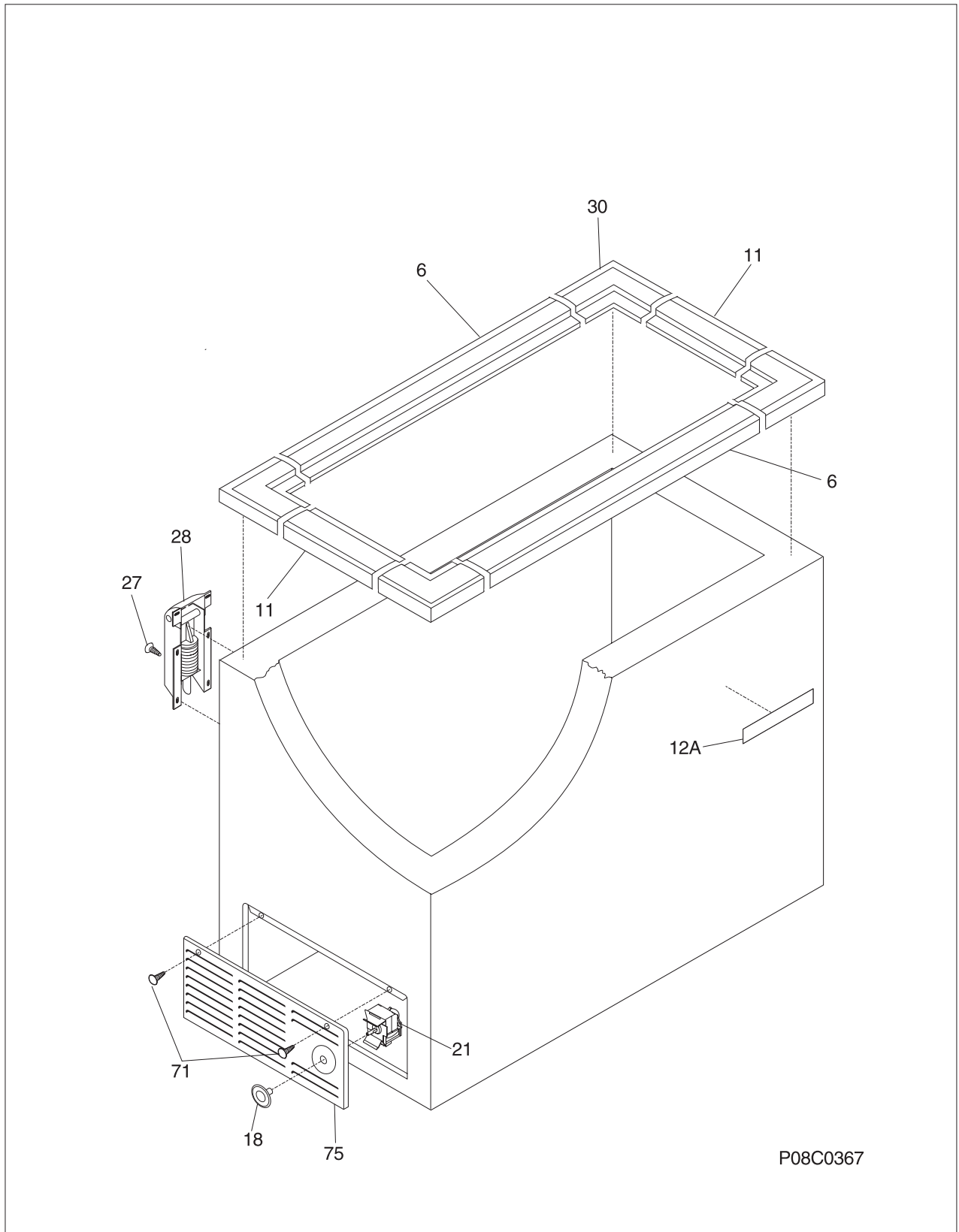


P08D0272

DOOR

POS. NO	PART NO.	DESCRIPTION
1	216480801	Gasket-door, white
9	216061502	Panel-inner lid, white
10	216923001	Plug button, 1/4", white
11	216106014	Panel-outer lid, white
*	216858000	Screw, TH#8-18x.500AB, #10
27	5303212828	Clip, panel mtg
27*	5304406520	Clip, panel mtg kit, (40)

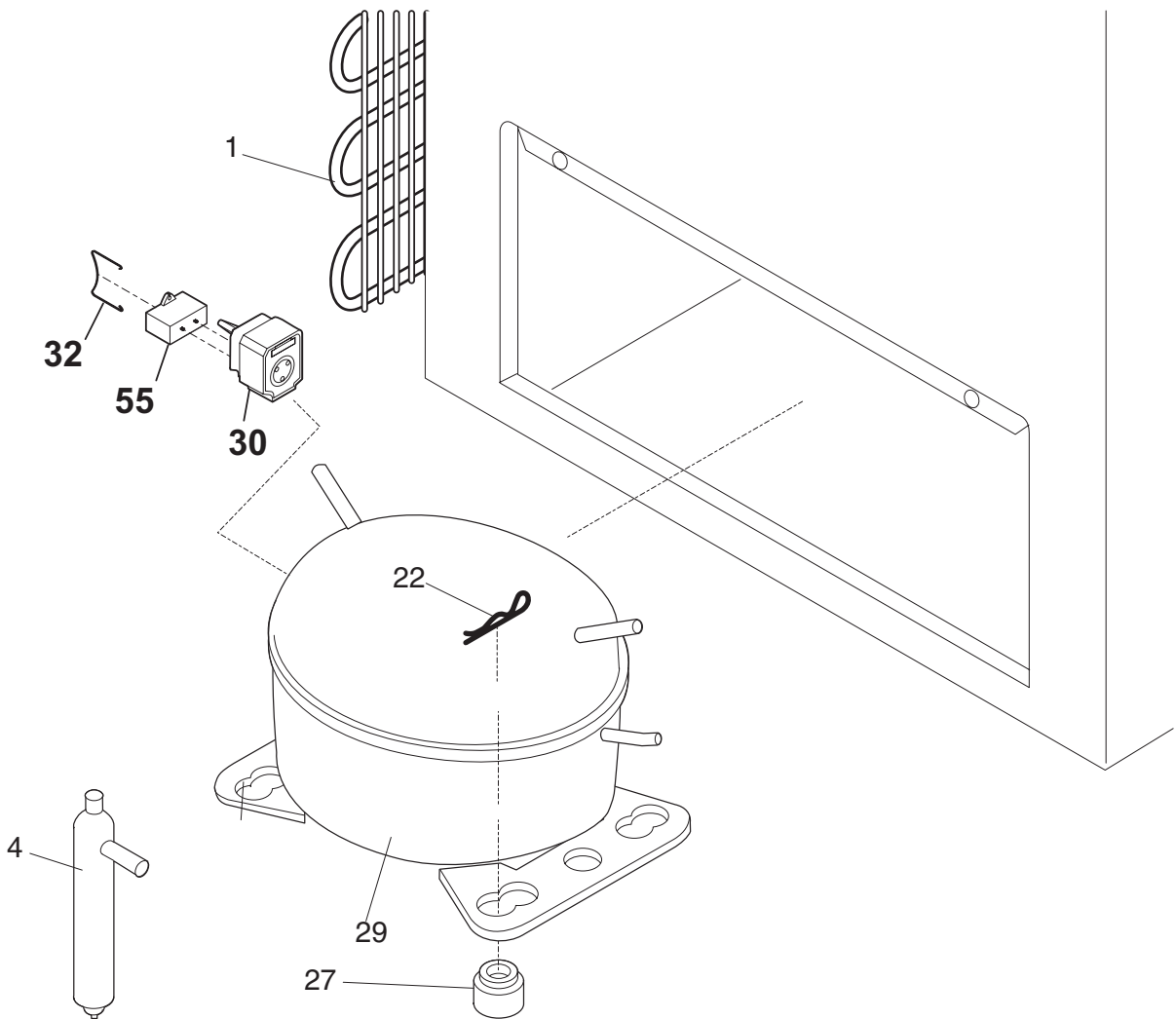
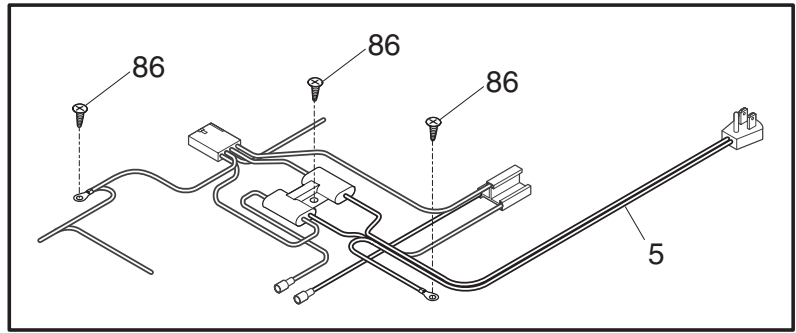
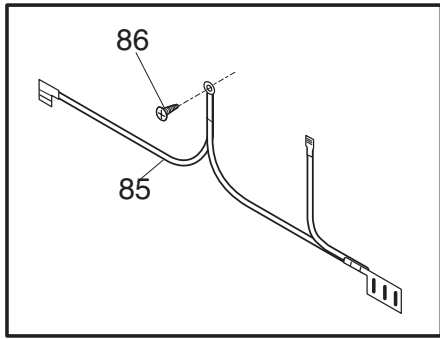
CABINET



CABINET

POS. NO	PART NO.	DESCRIPTION
6	216855700	Breaker, hinge side
11	216855706	Breaker-ends, white
12A	216373000	Frame-nameplate
18	216707200	Knob, temp control
21 #	216787700	Control-temperature
27	216337700	Screw, hex washer head, 10-24 x 0.500
28	216478800	Hinge Assy
30	216105500	Breaker-corners, white
71	131168200	Screw, pan head, 8-18B x 0.31
75	216782000	Panel-access, white
*	216793804	Energy Guide
*	5303305324	Paint, touch-up, white

SYSTEM



P08S0355

SYSTEM

POS. NO	PART NO.	DESCRIPTION
1	5300120779	Condenser
4 #	216938600	Drier-filter
5 #	216952000	Harness-main
*	216707800	Screw, PH, 8-32 x 1/2, wiring harness
22	216056400	Clip, compressor mtg, SPRING
27	5308002681	Grommet, compressor
29 #	297004100	Compressor, w/o electricals
30	216954208	Controller, compressor, 5 speed
32	297030500	Clip, controller
55	216985000	Capacitor, run, 10MF
85	216818300	Wire-ground
86	216707700	Screw, 8-18 X 1/2