

UNIVERSAL/MULTIFLEX

Factory Parts Catalog

| | | |
|----------------|---------------|---------------|
| Product No. | CFC05M0AW4 | CFC05M0AW5 |
| Series | 134A | 134A |
| Color | white | white |
| Volts | 115 | 115 |
| Wiring Diagram | 216787900 | 216787900 |
| Owner's Guide | 216961000 | 216961000 |
| Market | North America | North America |
| Energy Guide | 216793804 | 216793804 |

 **Electrolux**

ELECTROLUX HOME PRODUCTS, INC.
P.O. Box 212378, Augusta, GA 30917

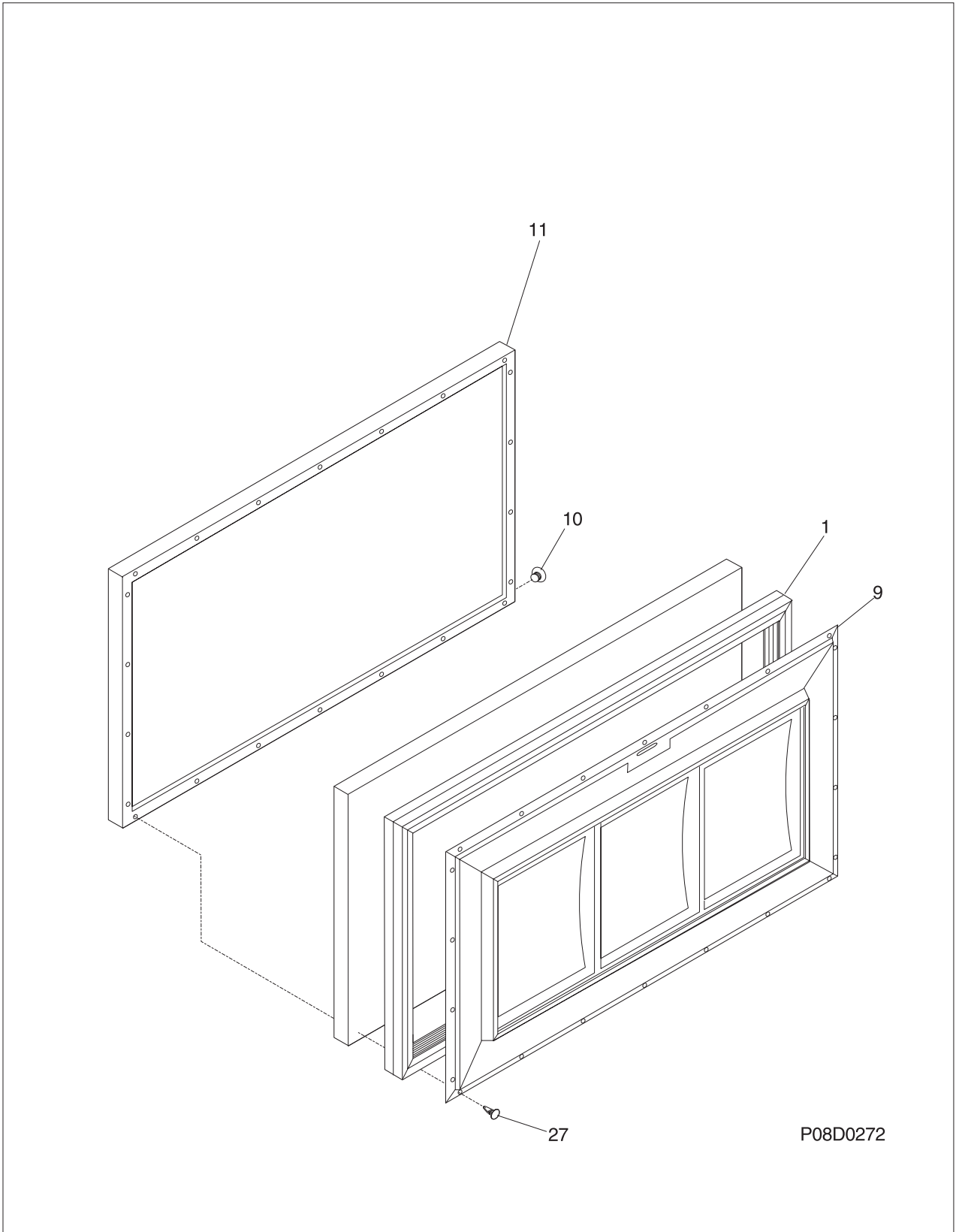
Publication No.
5995421301
04/11/06
(EN/SERVICE/ECL)
365

FREEZER CHEST

Model No.
CFC05M0AW

Copyright © 2004 Electrolux Home Products, Inc.
All rights reserved.

DOOR



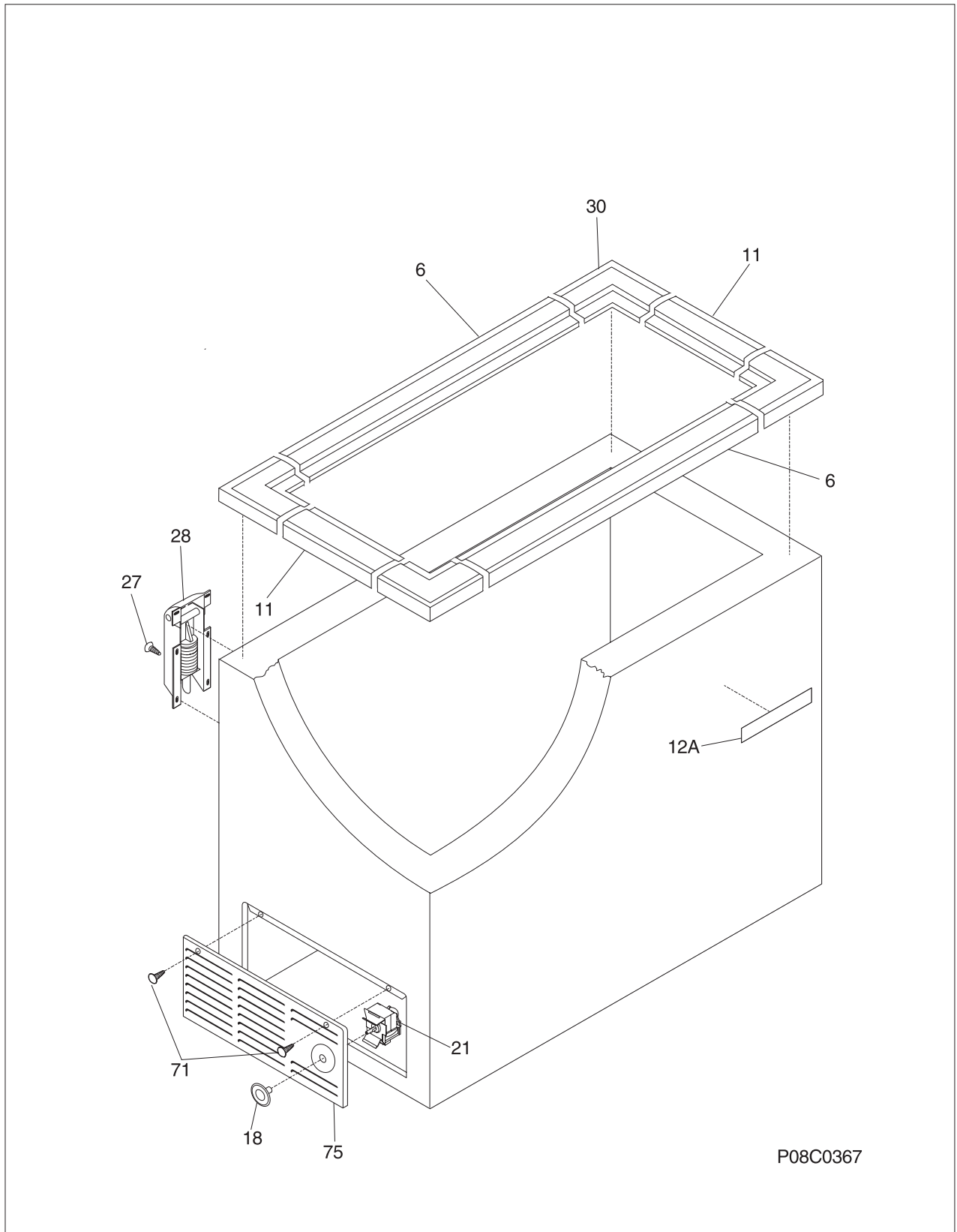
P08D0272

DOOR

Model Index: **A** CFC05M0AW (CFC05M0AW4)
 B CFC05M0AW (CFC05M0AW5)

| POS. NO | PART NO. | | DESCRIPTION |
|---------|------------|-----|----------------------------|
| 1 | 216480801 | A B | Gasket-door, white |
| 9 | 216061502 | A B | Panel-inner lid, white |
| 10 | 216923001 | A B | Plug button, 1/4", white |
| 11 | 216106014 | A B | Panel-outer lid, white |
| * | 216858000 | A B | Screw, TH#8-18x.500AB, #10 |
| 27 | 5303212828 | A B | Clip, panel mtg |

CABINET



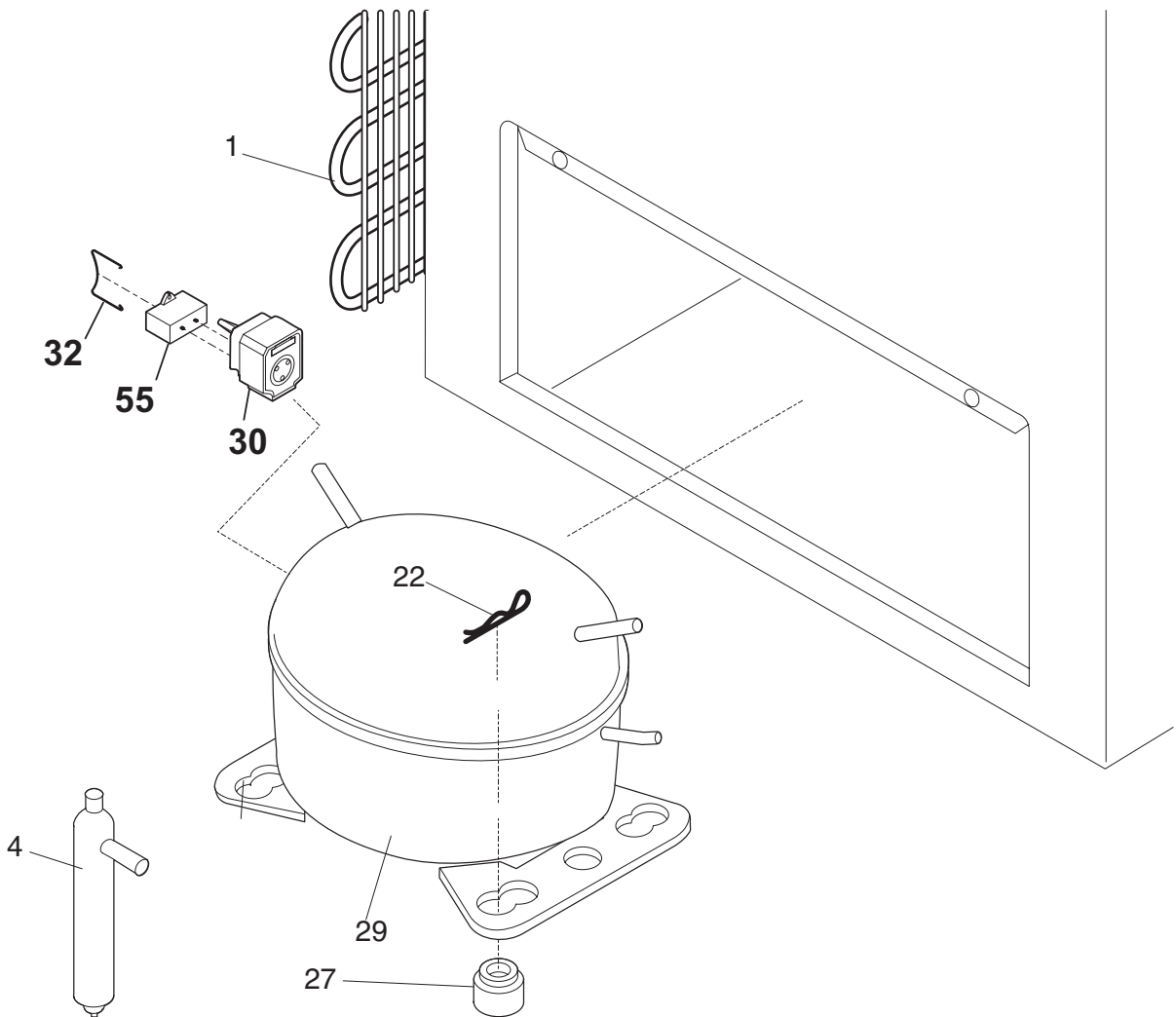
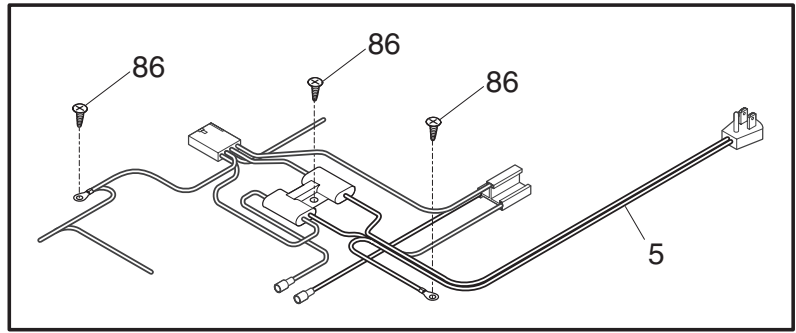
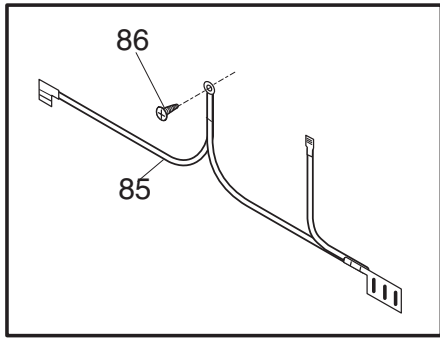
P08C0367

CABINET

Model Index: A CFC05M0AW (CFC05M0AW4)
 B CFC05M0AW (CFC05M0AW5)

| POS. NO | PART NO. | | DESCRIPTION |
|---------|------------|-----|---------------------------------------|
| 6 | 21685700 | A B | Breaker, hinge side |
| 11 | 21685706 | A B | Breaker-ends, white |
| 12A | 216373000 | A B | Frame-nameplate |
| 18 | 216707200 | A B | Knob, temp control |
| 21 # | 216787700 | A B | Control-temperature |
| 27 | 216337700 | A B | Screw, hex washer head, 10-24 x 0.500 |
| 28 | 216478800 | A B | Hinge Assy |
| 30 | 216105500 | A B | Breaker-corners, white |
| 71 | 131168200 | A B | Screw, pan head, 8-18B x 0.31 |
| 75 | 216782000 | A B | Panel-access, white |
| * | 216793804 | A B | Energy Guide |
| * | 5303305324 | A B | Paint, touch-up, white |

SYSTEM



P08S0355

SYSTEM

Model Index: **A** CFC05M0AW (CFC05M0AW4)
 B CFC05M0AW (CFC05M0AW5)

| POS. NO | PART NO. | | DESCRIPTION |
|---------|----------------------------|-----|---------------------------------------|
| 1 | 5300120779 | A B | Condenser |
| 4 | 216634500 | A - | Drier-filter |
| 4 # | 216938600 | - B | Drier-filter |
| 5 # | 216951900 | A B | Harness-main |
| * | 216707800 | A B | Screw, PH, 8-32 x 1/2, wiring harness |
| 22 | 216056400 | A B | Clip, compressor mtg, SPRING |
| 27 | 5308002681 | A B | Grommet, compressor |
| 29 # | 216951200 | A - | Compressor, w/o electricals |
| 29 # | 216966300 | - B | Compressor, w/o electricals |
| 30 | 216954200 | A B | Controller, compressor, 5 speed |
| 32 | 216954300 | A B | Clip, controller |
| 55 # | 218909912 | A - | Capacitor-run, 220 VAC, 12 microfarad |
| 55 | 216985000 | - B | Capacitor, run, 10MF |
| 85 | 216818300 | A B | Wire-ground |
| 86 | 216707700 | A B | Screw, 8-18 X 1/2 |