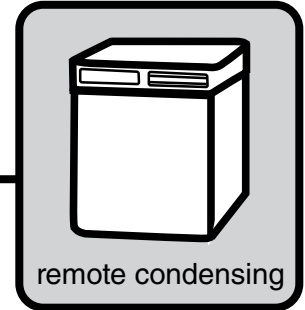


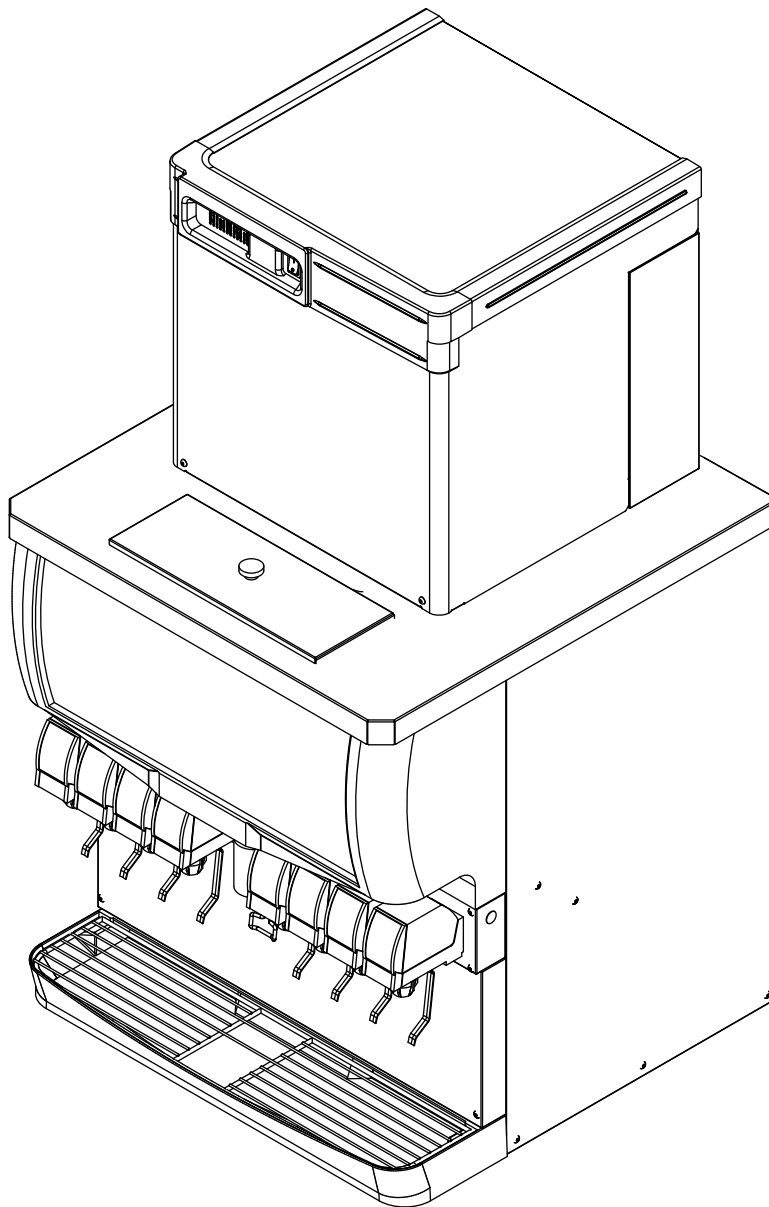
Horizon Elite™ Ice Machine Installation Instructions for Harmony™ Top-mount Applications

HCD/HMD/DCF/HMF1010RHT, HCD/HMD/DCF/HMF1410RHT,
HCD/HMD1010NHT, HCD/HMD1410NHT
(See model number configurator on page 2 for details.)



After Serial Number L82638

**Horizon top-mount ice machines
fit most countertop dispensers manufactured by
Cornelius • Lancer • Servend**



801 Church Lane • Easton, PA 18040, USA
Toll free (877) 612-5086 • +1 (610) 252-7301
www.follettice.com

01113331R04


Chewblet® Ice Machine Model Number Configurations

HC
D
1810
A
V
S


Icemaker	Voltage	Series	Condenser	Application	Configuration
MC Maestro™ Chewblet® (425 Series)	C 208-230/60/1 (icemaking head) <i>Self-contained only.</i>	425 up to 425 lbs (193 kg)	A Air-cooled, self-contained	V Vision™	S RIDE™
HC Horizon Chewblet (710, 1010, 1410, 1810, 2110 Series)	D 115/60/1 (icemaking head) <i>Self-contained and remote. If remote unit, high side is 208-230/60/1.</i>	710 up to 675 lbs (306 kg)	W Water-cooled, self-contained	H Harmony™	(RIDE remote ice delivery equipment)
HM Horizon Micro Chewblet™	E 230/50/1 (icemaking head) <i>Self-contained only.</i>	1010 up to 1061 lbs (482 kg)	R Air-cooled, remote condensing unit	B Ice storage bin	
	F 115/60/1 (icemaking head) <i>Remote only. High side is 208-230/60/3.</i>	1410 up to 1466 lbs (665 kg)	N Air-cooled, no condensing unit for connection to parallel rack system	J Drop-in	T Top-mount
		1810 up to 1790 lbs (812 kg)		M Ice Manager™ diverter valve system	
		2110 up to 2039 lbs (925 kg)		P Cornelius Profile PR150	

Read and complete the following 8 installation steps


1 **Unpack** _____



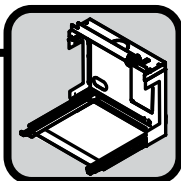
2 **Site preparation** _____




3 **Dispenser preparation** _____




4 **Docking assembly** _____



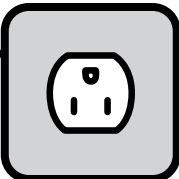
5 **Ice transport tube** _____



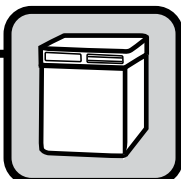
6 **External connection** _____



7 **Internal connection** _____



8 **Front cover** _____



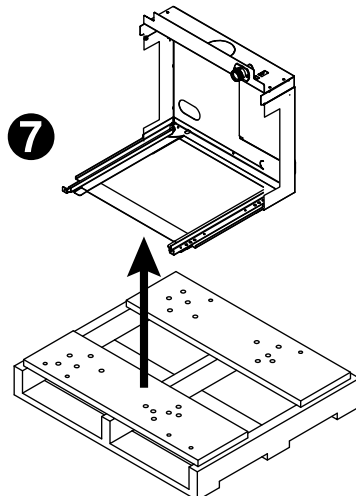
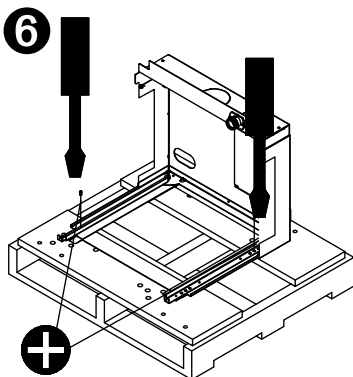
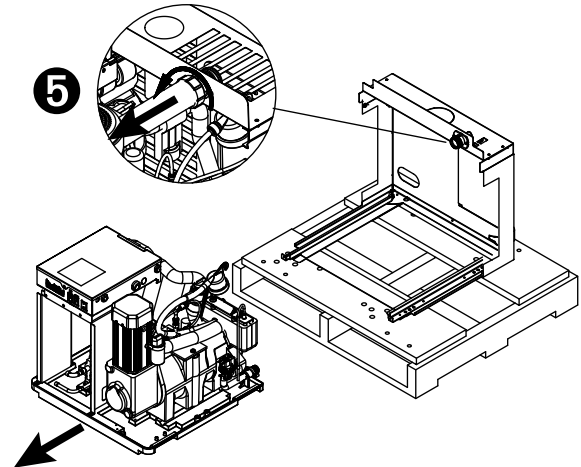
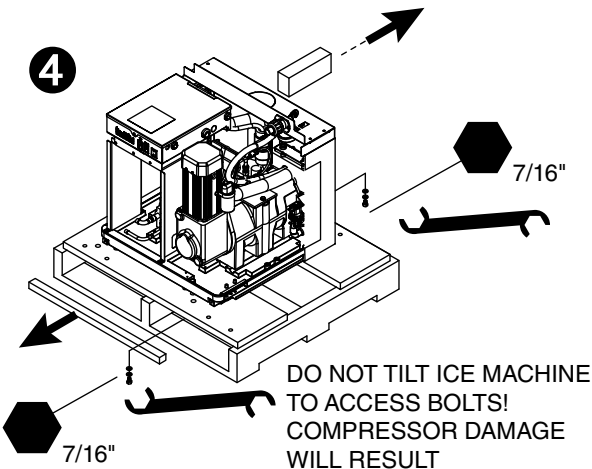
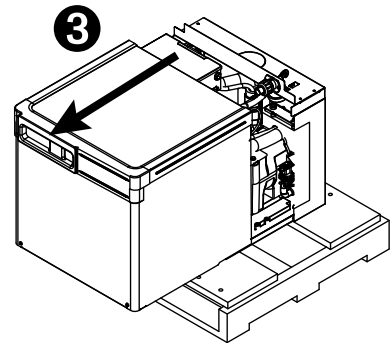
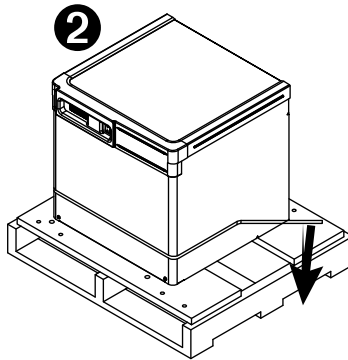
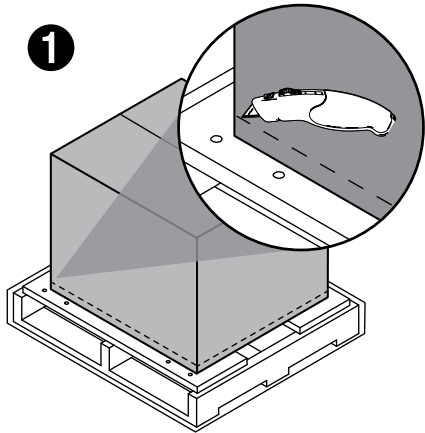
Carefully unpack and inspect the contents of your Follett ice machine.

Unpack

1

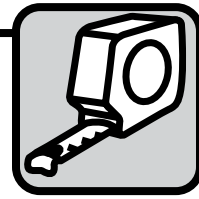


1.1 Unpack ice machine

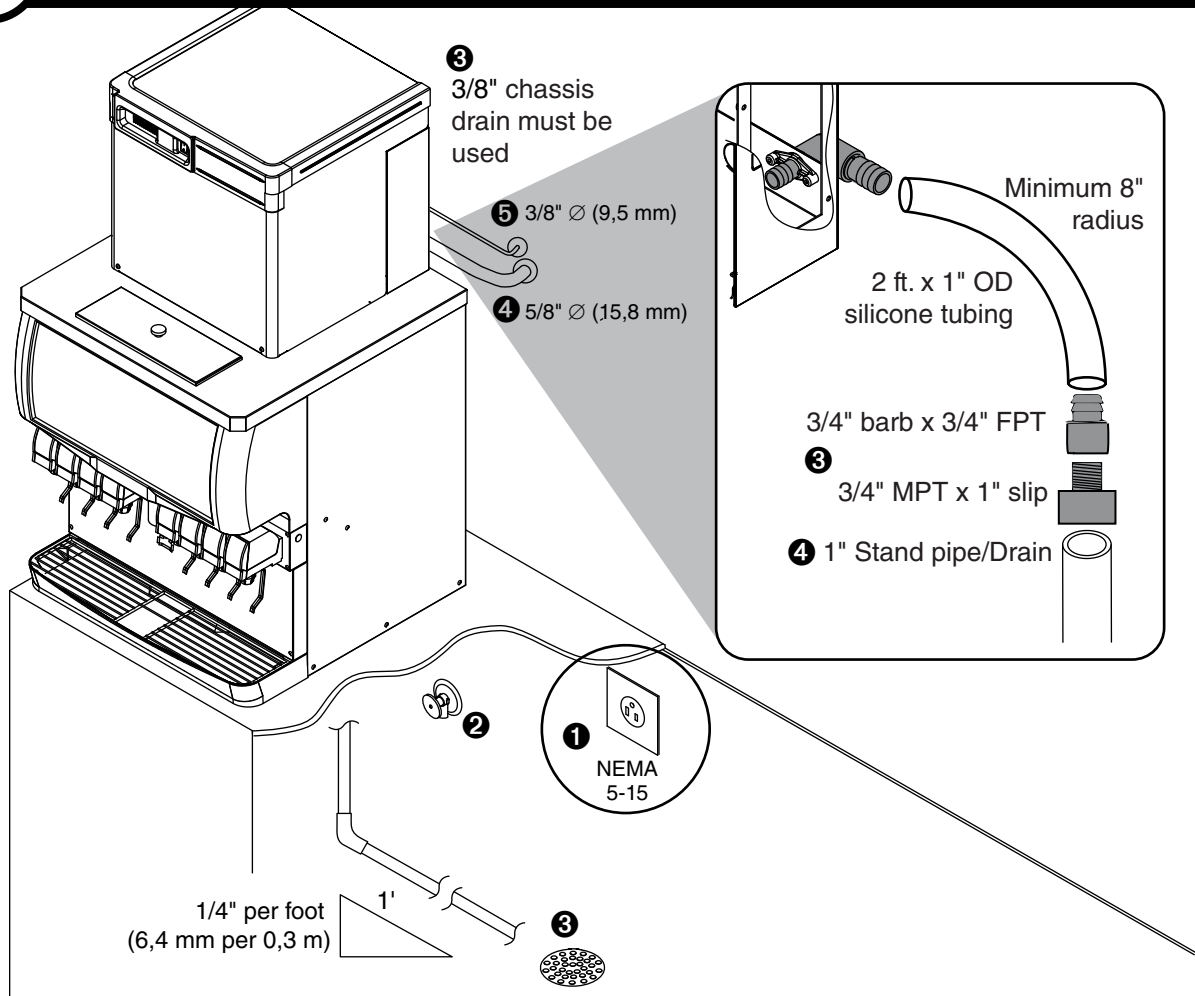


Prepare the installation site.

Provide drainage, water supply and electrical power to within 6 feet (2 m) of ice machine in accordance with local and national codes. Outdoor installation of low side is not recommended and will void warranty.



2.1 Installation site requirements



Electrical ①

- 120/60/1-5 amps

Potable water supply ② (3/8" push-in connection, 3/8" OD tubing required)

- 10–70 psi (69–483 kpa)
- 45–90 F (7–32 C)
- Follett recommends the use of an in-line water filtration system (item# [00130286](#))
- This equipment is to be installed with adequate backflow protection to comply with applicable federal, state, and local codes

Drains: ③ 3/4" Barb for silicone drain, 3/8" push-to-connect for chassis drain

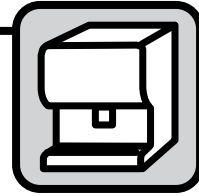
- Minimum 8" radius on silicone drain line. Drain line from the ice machine must have at least 1/4" per foot pitch (6,4 mm/0,3 m).

Refrigeration lines ④

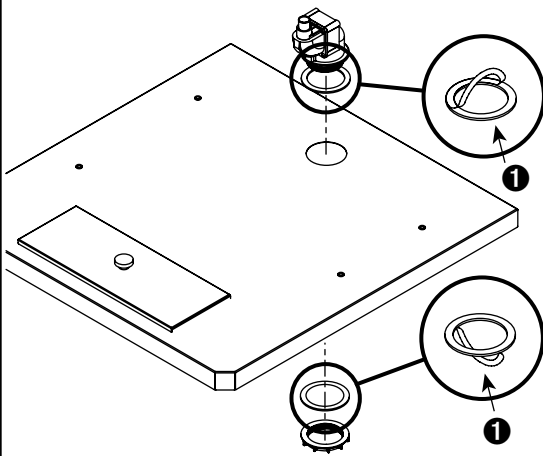
- 5/8" Ø (15,8 mm) diameter suction line (insulated) ④
- 3/8" Ø (9,5 mm) liquid line ⑤

Prepare the dispenser.

Note: The instructions below only apply to 22" and 30" wide dispensers. 44" wide dispenser instructions may be found with the top kit.



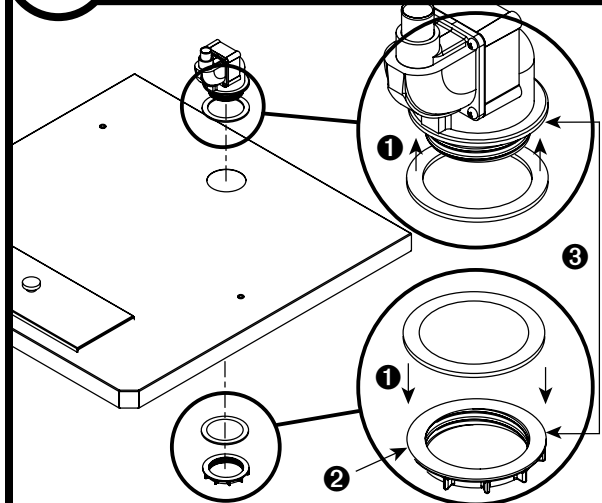
3.1 Top preparation – ALL



All models

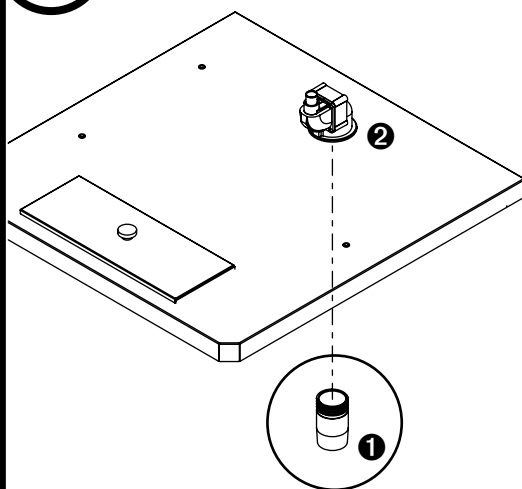
- Remove protective tape from gaskets ①

3.2 Top preparation – ALL



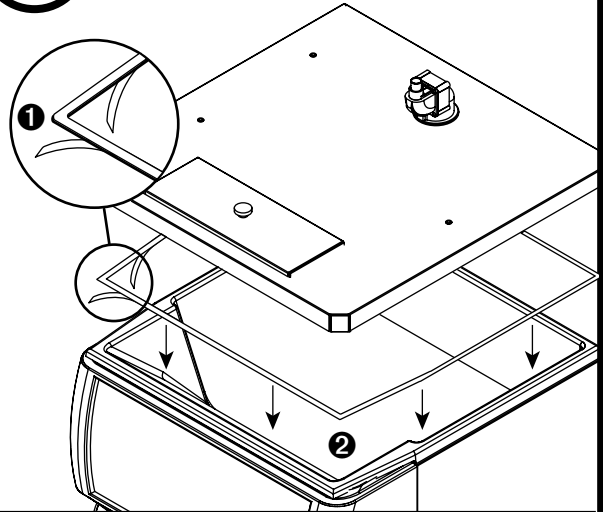
- Apply gaskets ①
- Install shuttle actuator ② through bottom of dispenser top and secure with locking nut ③

3.3 Top preparation – ALL



- Screw 4" (102 mm) extension ① into bottom of shuttle actuator ②

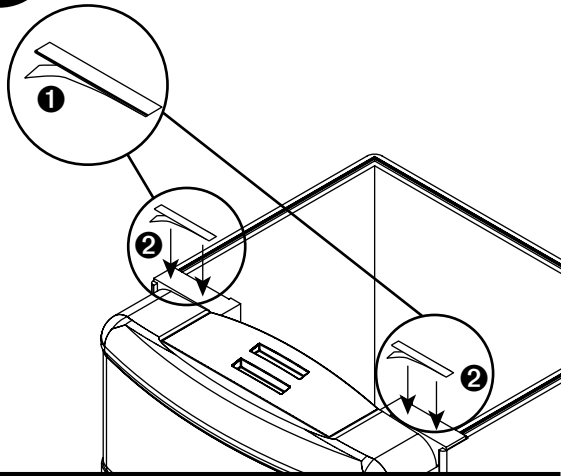
3.4 Top preparation – CORNELIUS



Cornelius models only

- Remove protective tape ①
- Apply gasket ②

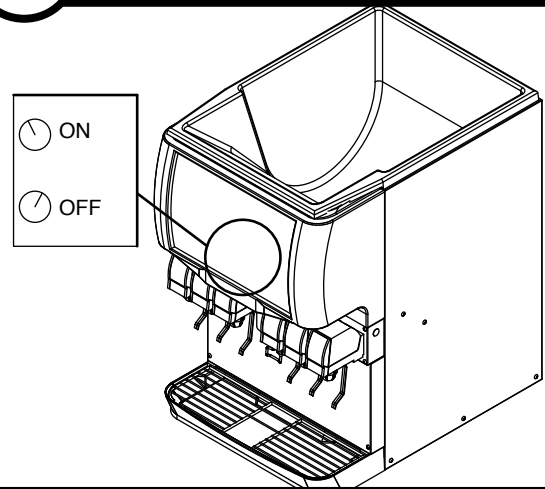
3.5 Top preparation – LANCER



Lancer models only

- Remove protective tape ①
- Apply gaskets ②

3.6 Agitation adjust. – CORNELIUS

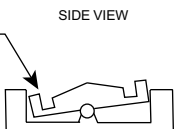
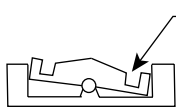
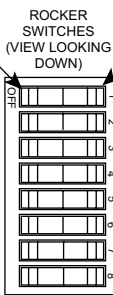


Cornelius models ED, DB, DF, IDC and FLAVOR FUSION

Adjust the agitation timer located on the Cornelius PC board to 1 second on, 1 hour off. **Note:** See Cornelius manual for more information.

3.7 Agitation adjustments – LANCER 4500 SERIES

PRESS IN ON THIS SIDE TO TURN SWITCH OFF.



PRESS IN ON THIS SIDE TO TURN SWITCH ON.

SWITCH NUMBER	AGITATION TIME			
	1 SECOND	2 SECONDS	3 SECONDS	4 SECONDS
3	O	O	X	X
4	O	X	O	X

X = ON
O = OFF

SWITCH NUMBER	AGITATION FREQUENCY															
	NO AGITATION	10 MINUTES	20 MINUTES	30 MINUTES	40 MINUTES	50 MINUTES	60 MINUTES	70 MINUTES	80 MINUTES	90 MINUTES	100 MINUTES	110 MINUTES	120 MINUTES	130 MINUTES	140 MINUTES	150 MINUTES
5	O	O	O	O	O	O	O	O	X	X	X	X	X	X	X	X
6	O	O	O	O	X	X	X	X	O	O	O	O	X	X	X	X
7	O	O	X	X	O	O	X	X	O	X	X	O	O	X	X	X
8	O	X	O	X	O	X	O	X	O	X	O	X	O	X	O	X

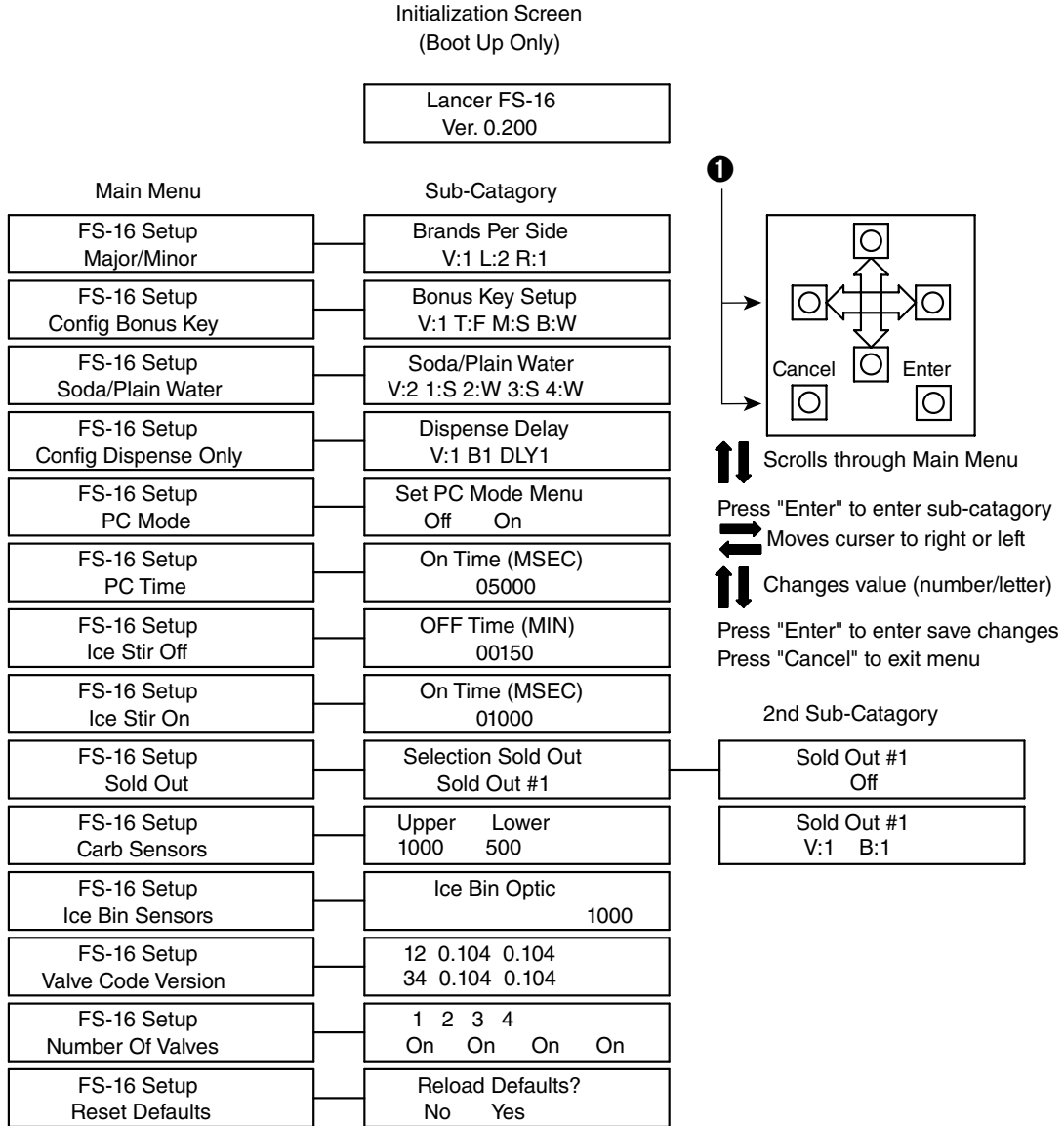
Lancer 4500 series only

Adjust the agitation time to 1 second, and the agitation frequency to 150 minutes. See Lancer manual for more information.

3.8 Agitation adjustments – LANCER Sensation and Touchpoint

No agitation adjustment required

3.9 Agitation adjustments – LANCER FS SERIES



Lancer FS series only

- Hold down "cancel" and "left button" to get to hidden menu **1**
- Type in code 6655
- Type in 150 minutes of off time and 1010 milliseconds (1 second of time) as the preferred setting

Note: See Lancer manual for more information.

3.10 Agitation adjustments – servend

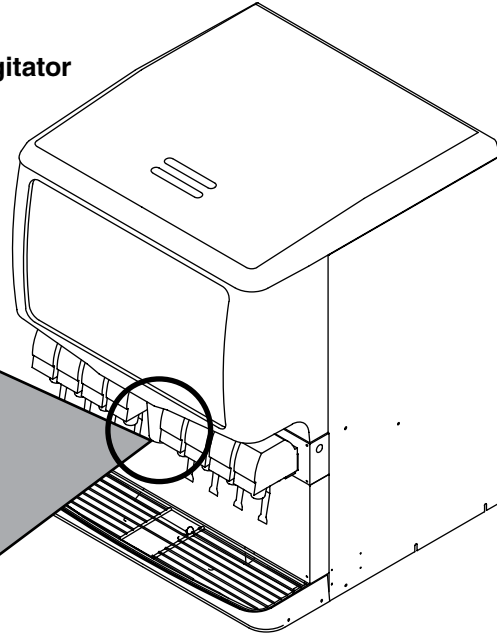
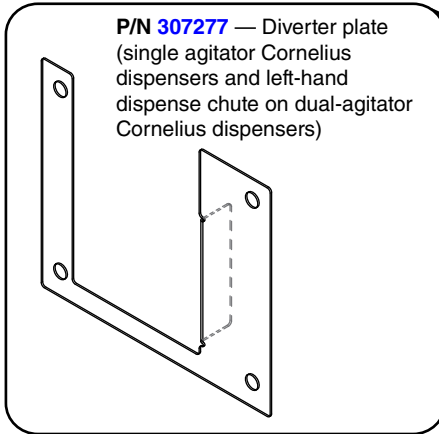
Servend models only

No agitation adjustment required.

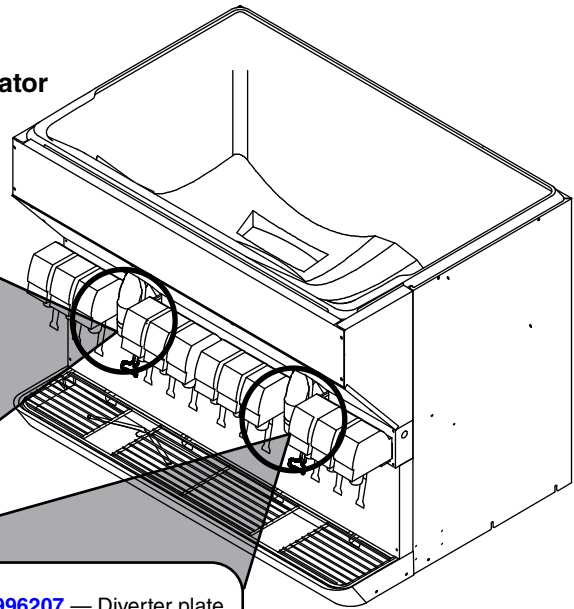
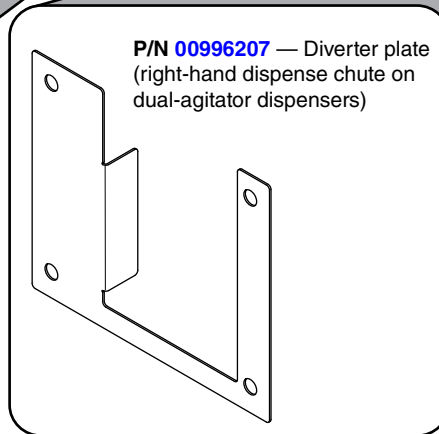
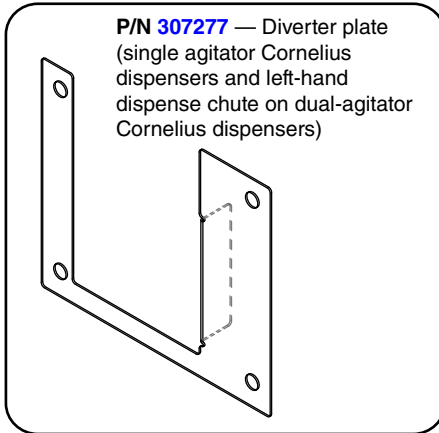
3.11

Dispenser diverter plate overview (Installation on next page)

Single Agitator

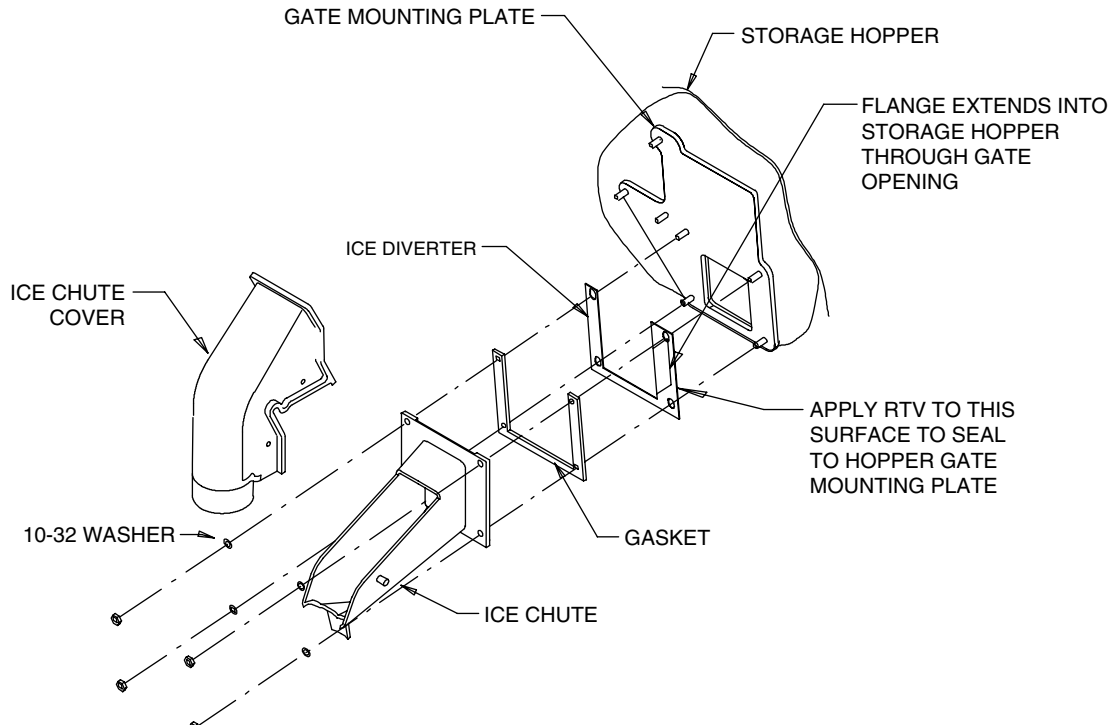


Dual Agitator



3.12

Dispenser diverter plate installation – CORNELIUS ED, DF and DB SERIES



Cornelius ED, DF and DB series only

These dispensers require the installation of an ice diverter at the dispenser opening.

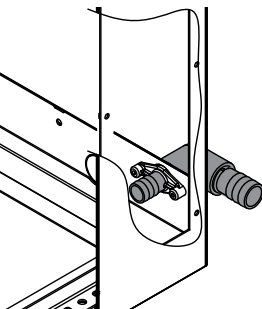
- Disassemble chute assembly
- Discard factory restrictor plate
- Replace with alternate diverter plate (supplied)

3.13

Agitation adjustments – Cornelius IDC and Flavor Fusion

These dispensers require modifications for compatibility with Chewblet ice. Agitation times must be set to 1 second ON, 1 hour OFF and the ice restrictor plate must be adjusted to the fully open position. See your beverage supplier for these modifications.

BEFORE PROCEEDING

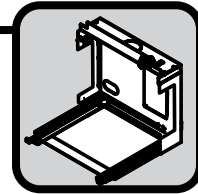


Prior to installing the docking assembly, ensure that the drain fitting is oriented (right or left) correctly for your installation. An optional straight drain fitting is also supplied. You may need to remove the back panel of the docking assembly in order to re-orient or change the drain fitting. Replace back panel prior to mounting the docking assembly.

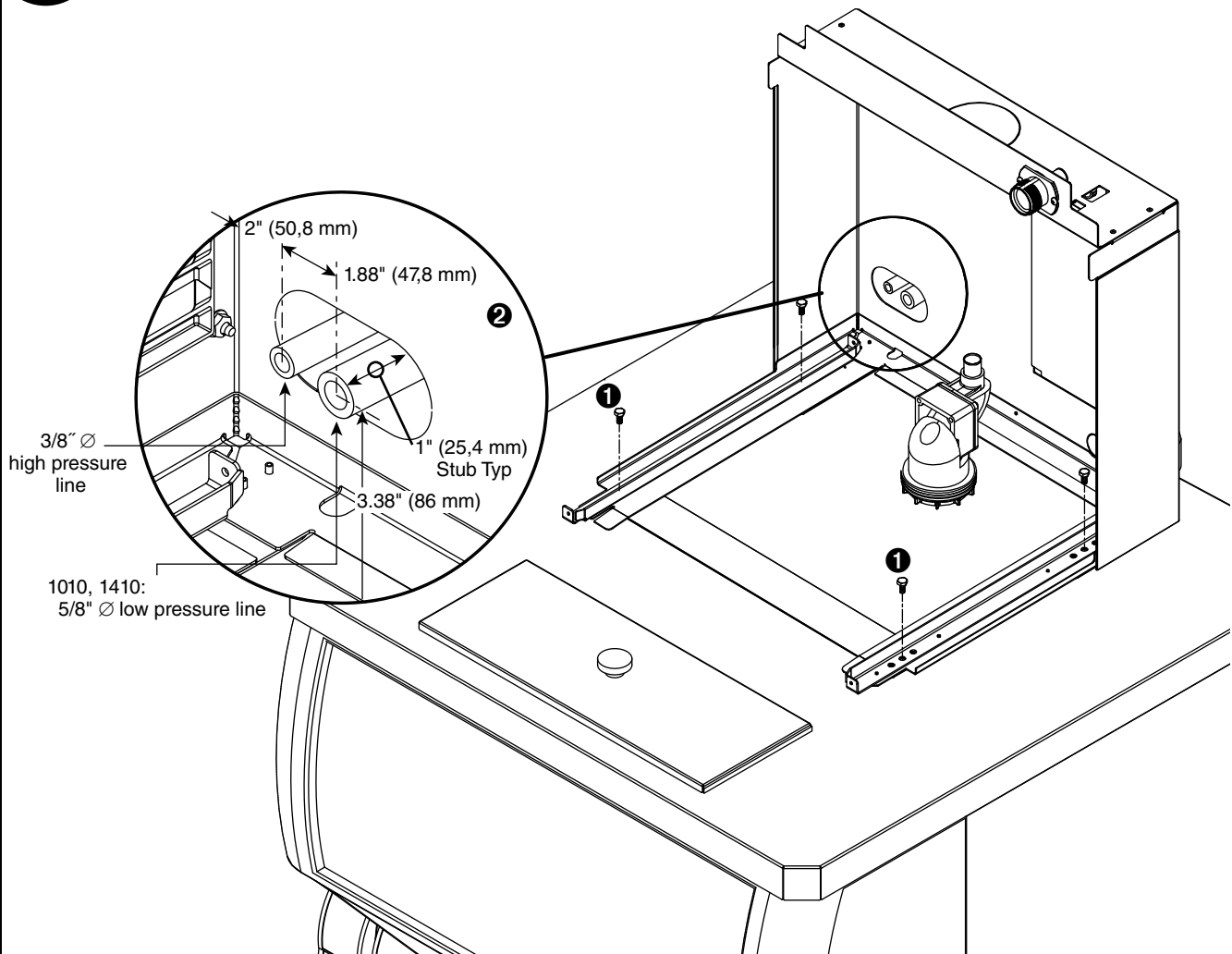
Install the docking assembly.

Docking assembly

4



4.1 Docking assembly



- Mount docking assembly ①
- "Rough-in" the refrigerant piping ②

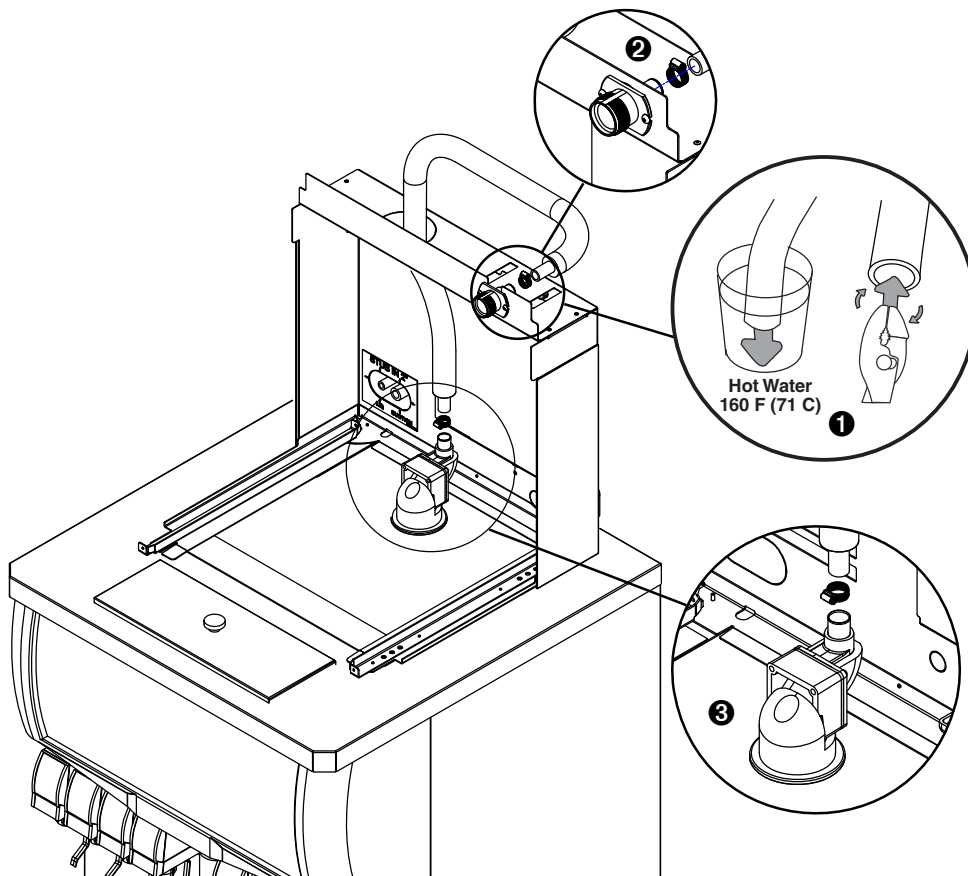
Install the ice transport tube.

Ice transport tube

5

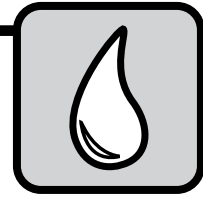


5.1 Ice transport tube

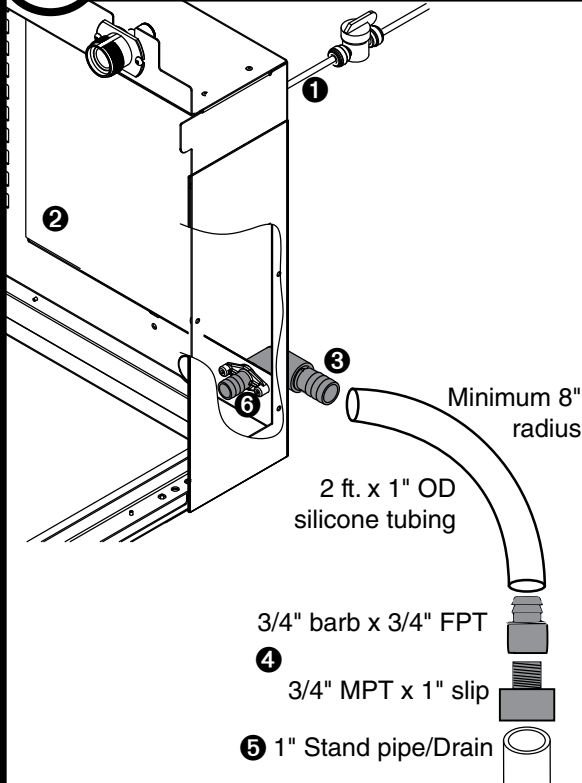


- Slide insulation onto ice transport tube
- Heat end of transport tube in cup of 160 F (71 C) hot water to soften and spread with pliers ❶ before making connection to ease assembly
- Connect ice transport tube to coupling on docking station ❷
- Connect ice transport tube to shuttle actuator ❸

Connect utilities to docking assembly.



6.1 Water and flush drain

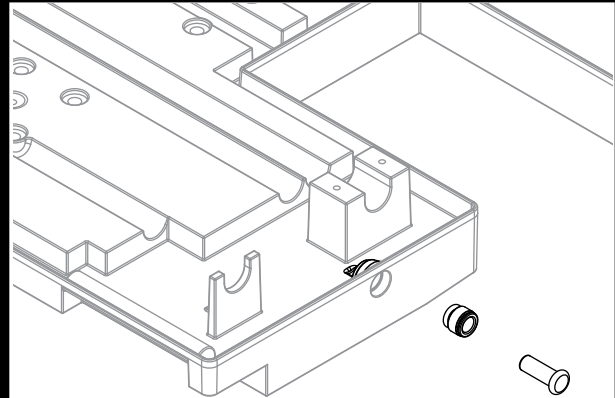


- Rough-in ice machine potable water supply ①. 3/8" push-in connection will be made at included shut-off valve then at back of docking station into solenoid.
- Remove access panel if necessary ②.
- Connect the silicone tubing to the ice machine 3/4" drain barb ③.
- Assemble the 3/4" barb x 3/4" FPT to the 3/4" MPT x 1" slip. Connect the other end of the silicone tubing to the 3/4" barb ④.
- Connect the 1" slip fitting to the 1" stand pipe/drain ⑤.

Note: Minimum 8" radius on silicone drain line. Drain line from the ice machine must have at least 1/4" per foot pitch (6,4 mm/0,3 m).

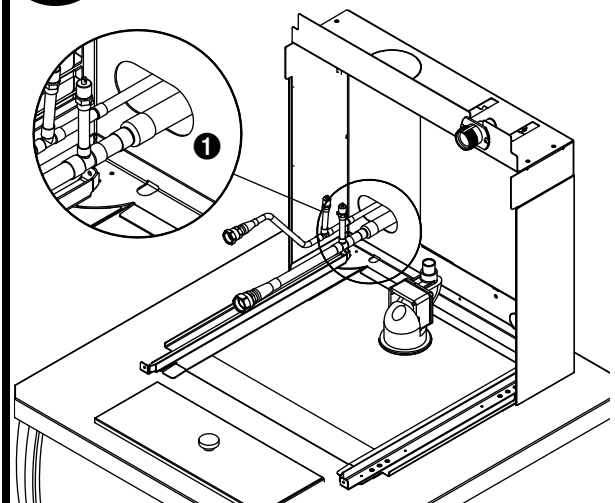
- Apply Petrol-gel to barbed drain fitting ⑥
- Replace access panel.

Chassis drain plumbing - required

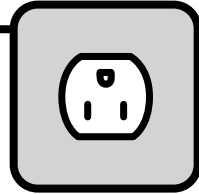


- Plug must be removed from John Guest fitting.
- Route 3/8" drain tubing through knockout in back of docking station and insert fully into John Guest fitting connection at the rear of the machine chassis. Route other end of 3/8" drain tubing to drain.
- Drain must slope 1/4" inch per foot (6 mm per 30,4 cm).

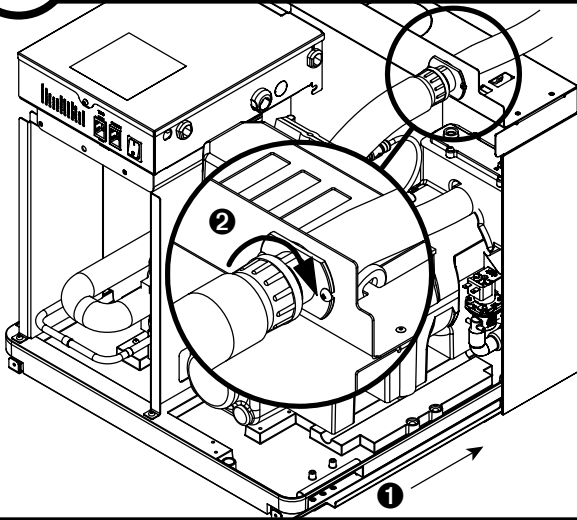
6.2 Refrigerant lines



- Braze supplied quick-connect lines onto stub-ins ①.



7.1 Ice transport tube installation



- Slide ice machine into docking assembly ensuring that drain tube is fully seated on barbed drain fitting **1**
- Insert ice transport tube all the way into coupling and tighten nut firmly **2**

7.2 Water solenoid, shut-off valve, and potable water line options

If water solenoid is already mounted to evaporator:

- Insert potable water line into shut-off valve.

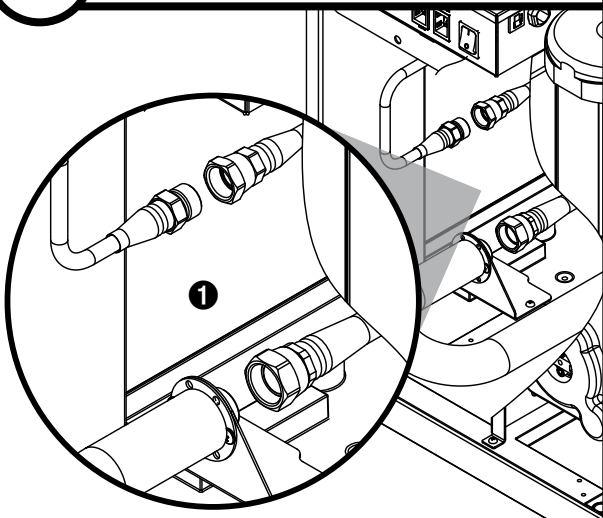
If this is an undercounter installation:

- Mount water solenoid atop evaporator and locate the shut-off valve inside the machine. Insert potable water line into shut-off valve.

If water solenoid is not mounted and machine will not be installed under-counter:

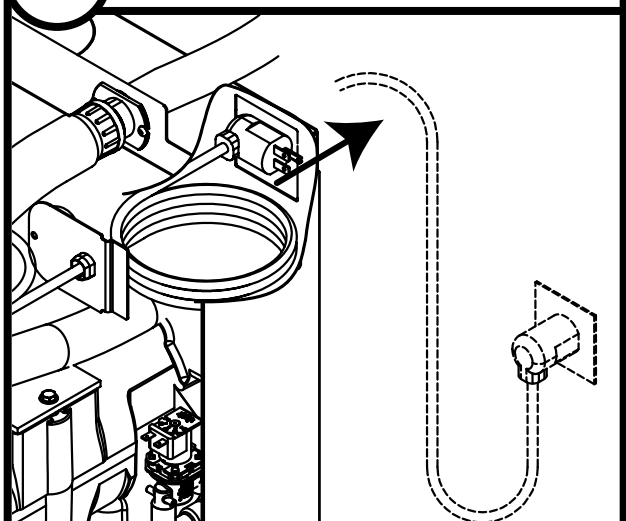
- Mount water solenoid to *inside* rear (upper right corner) of docking assembly using one screw.
- Insert potable water line into shut-off valve - locate the shut-off valve *outside* the machine.
- Insert outgoing line from shut-off valve into push-in connection of water solenoid.

7.3 Refrigeration lines



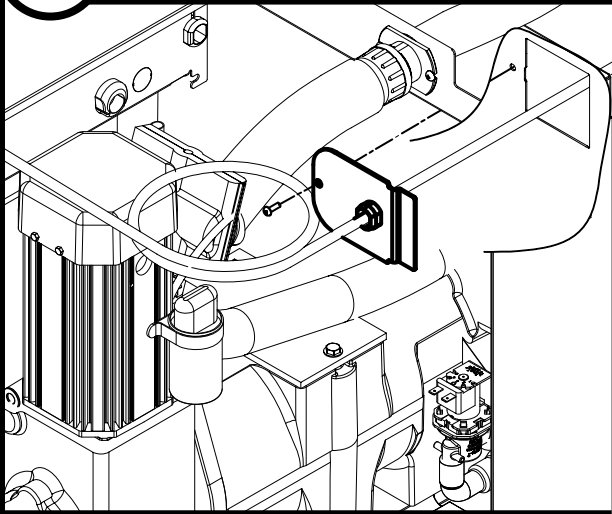
- Evacuate line set.
- Connect self-sealing liquid and suction line fittings **1**

7.4 Power cord



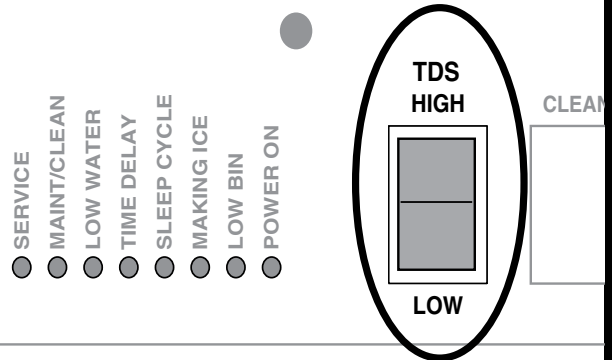
- Remove twist tie
- Carefully pass cord through opening and plug into wall outlet

7.5 Power cord



- Position plate into opening and secure with supplied screw

7.6 TDS switch



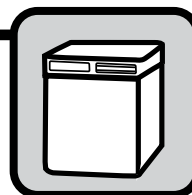
- Set the TDS switch on the electrical box:
HIGH: for extended service life
LOW: for low-scale water

NOTICE

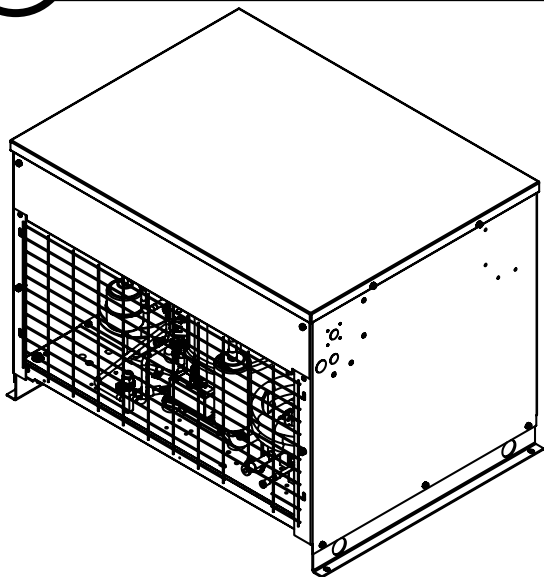
Ice machine MUST be sanitized prior to operation!
Consult Operation and Service Manual provided with ice machine for sanitizing instructions.

Install front cover to ice machine.

Front cover 8



8.1 Install condensing unit

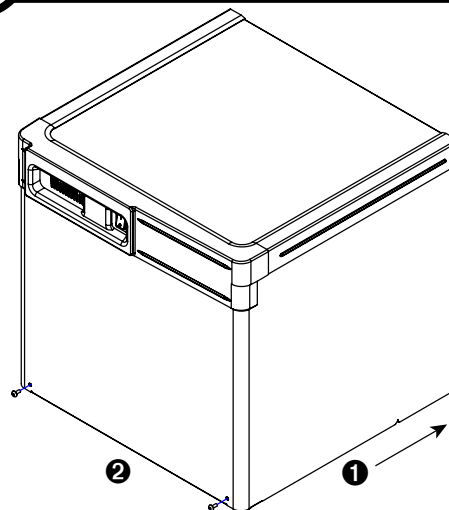


- Complete installation of condensing unit or connection to rack system.
- Required rack system capacity at 0 F (-18 C) evaporator (EPR supplied by installer).

1010N: 7,700 Btu/hr (1940 kcal/hr)

1410N: 10,000 Btu/hr (2519 kcal/hr)

8.2 Install ice machine front cover



- Slide ice machine cover over machine ①
- Insert and tighten two screws through cover and into docking assembly ②

Maestro, Micro Chewblet, Vision, Harmony, Ice Manager, Horizon, Horizon Elite are trademarks of Follett Products LLC. Chewblet, RIDE, Follett are registered trademarks of Follett Products LLC.