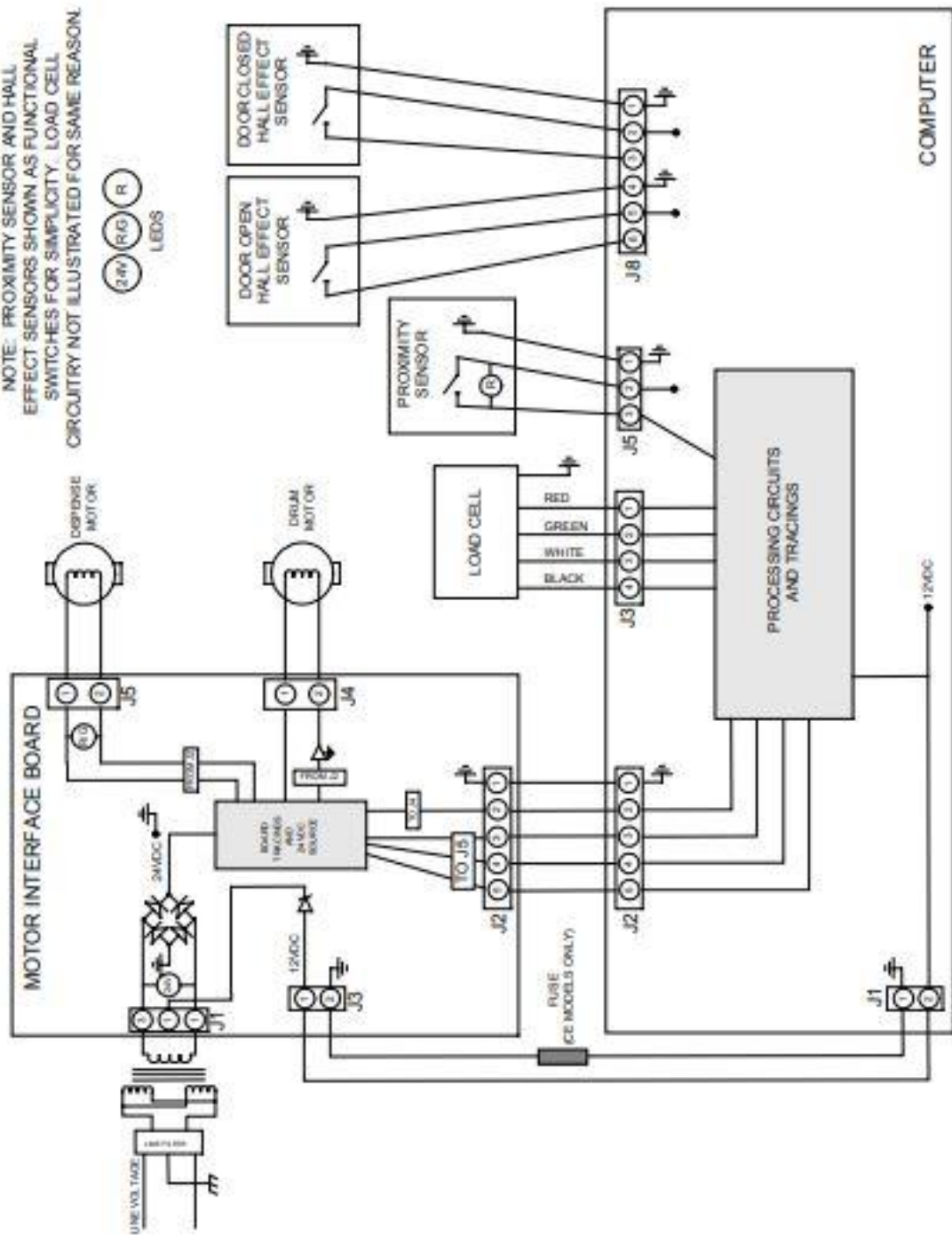
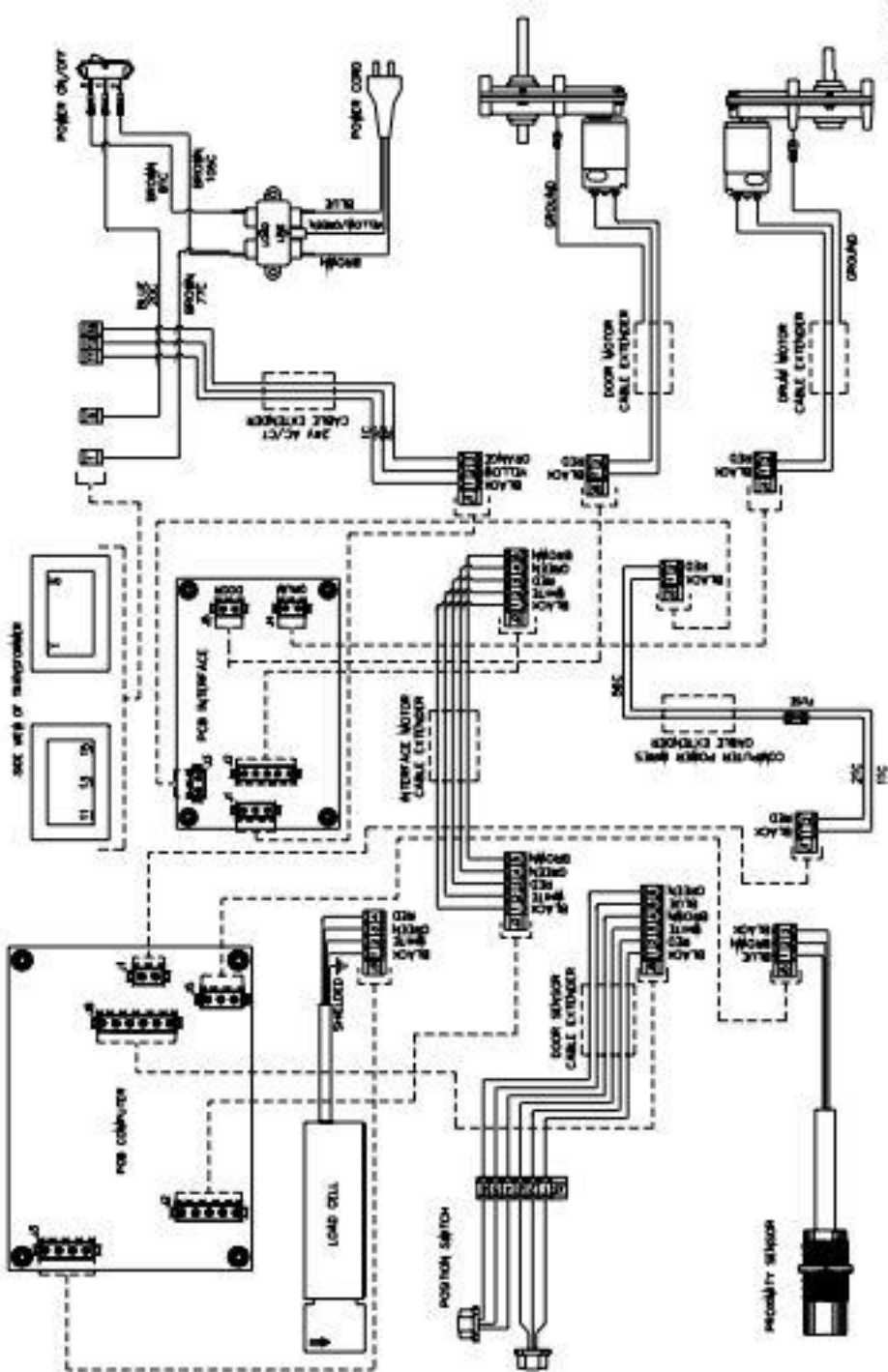


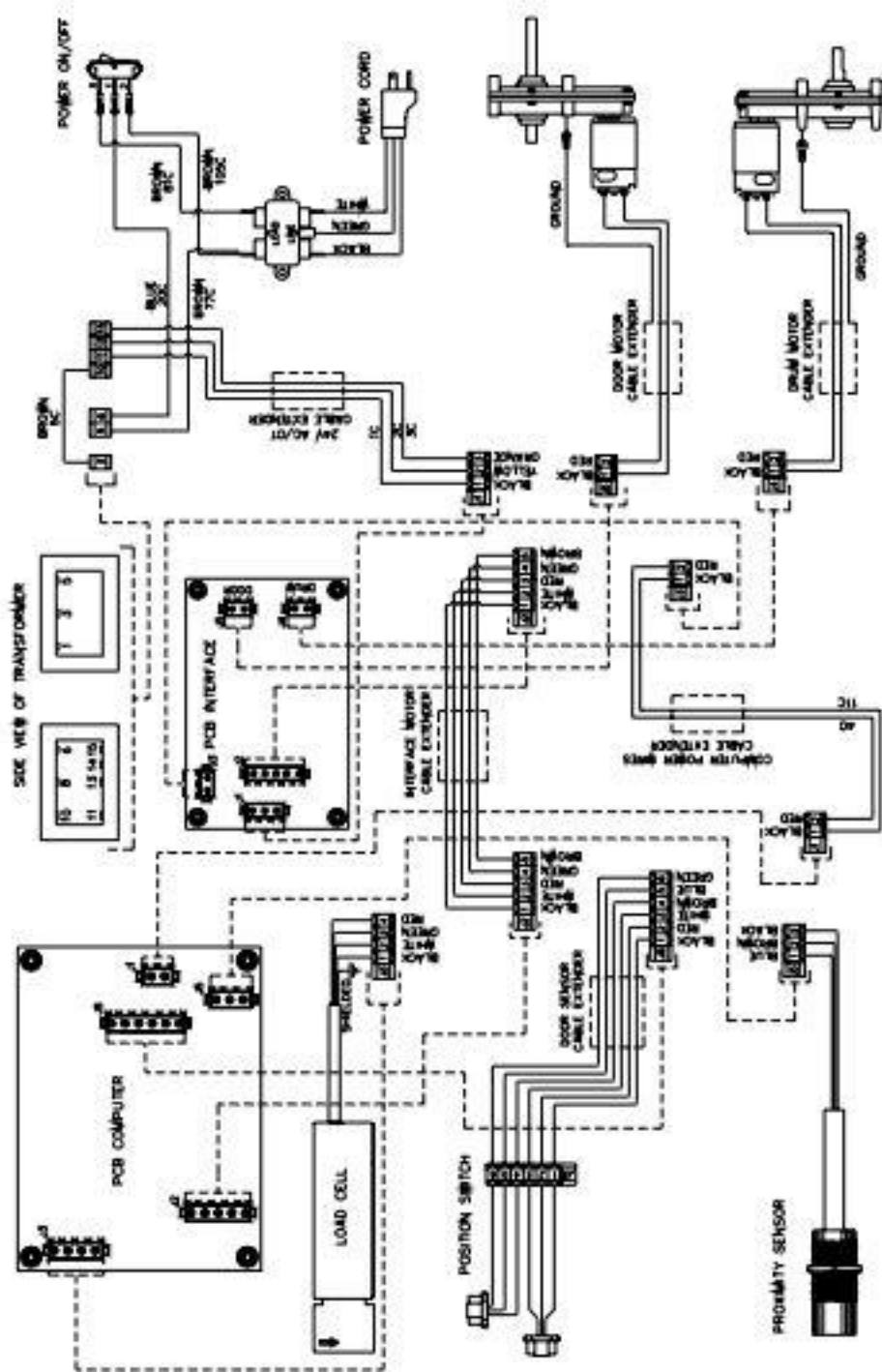
NOTE: PROXIMITY SENSOR AND HALL EFFECT SENSORS SHOWN AS FUNCTIONAL SWITCHES FOR SIMPLICITY. LOAD CELL CIRCUITRY NOT ILLUSTRATED FOR SAME REASON.

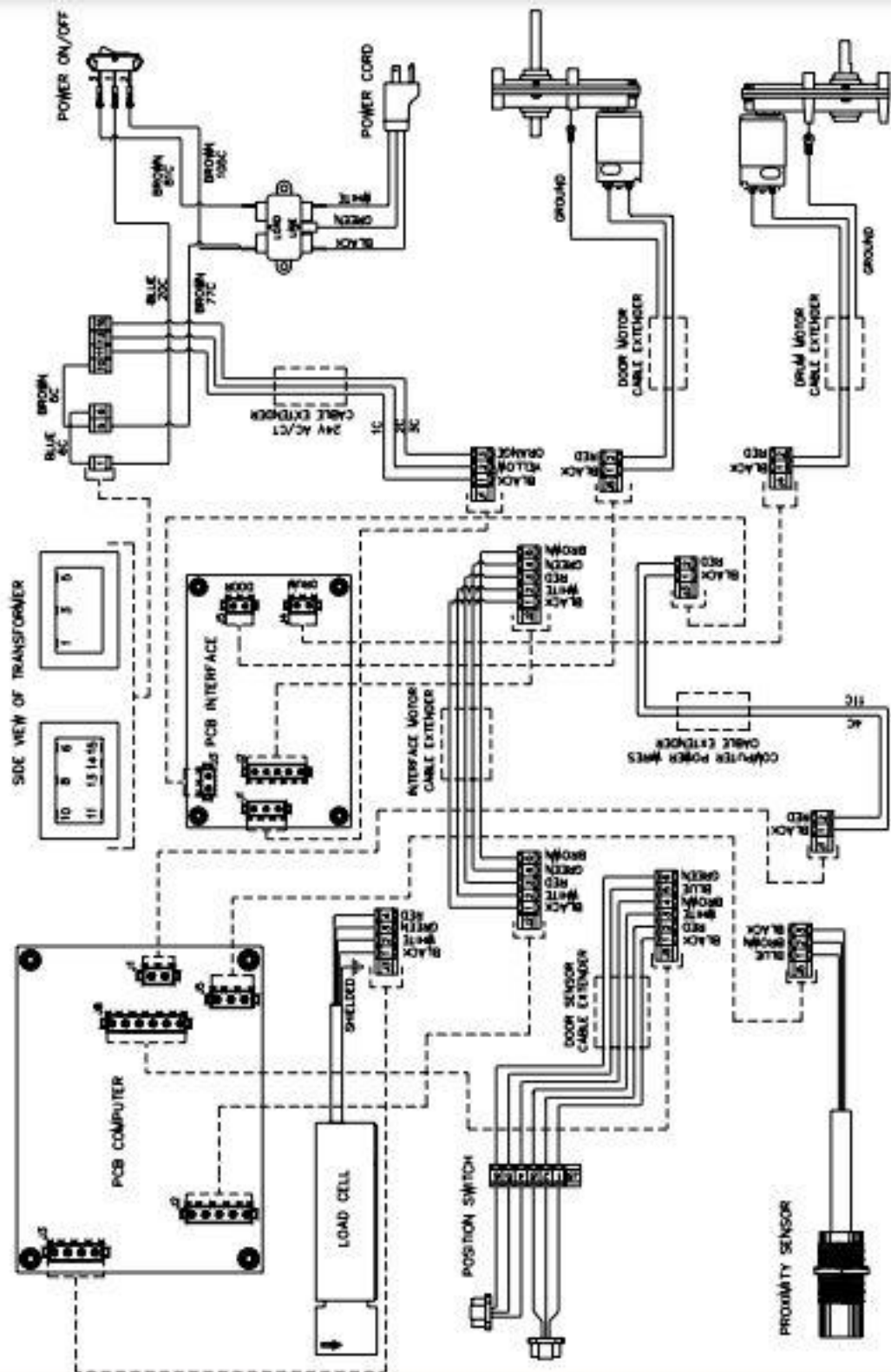
24V RIG R
LEDS





SIDE VIEW OF TRANSFORMER





SIDE VIEW OF TRANSFORMER

