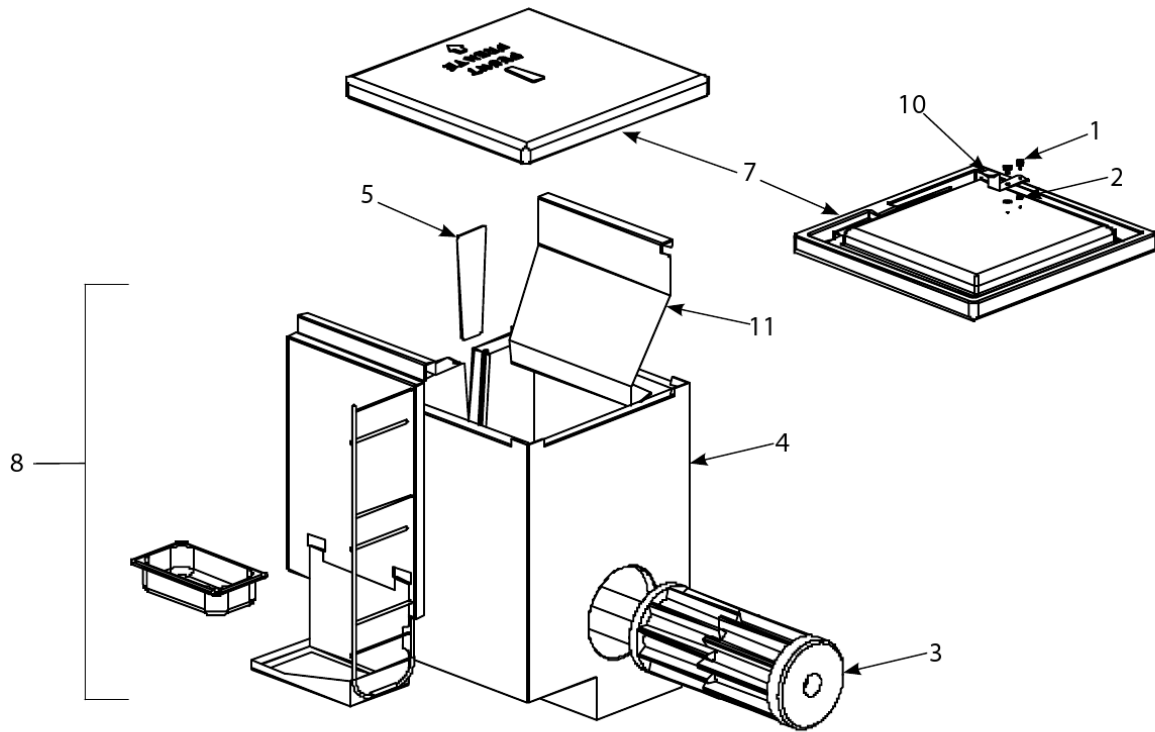


SinBad II Single Basket Dispenser

Accessories



SinBad II Single Basket Dispenser

Accessories

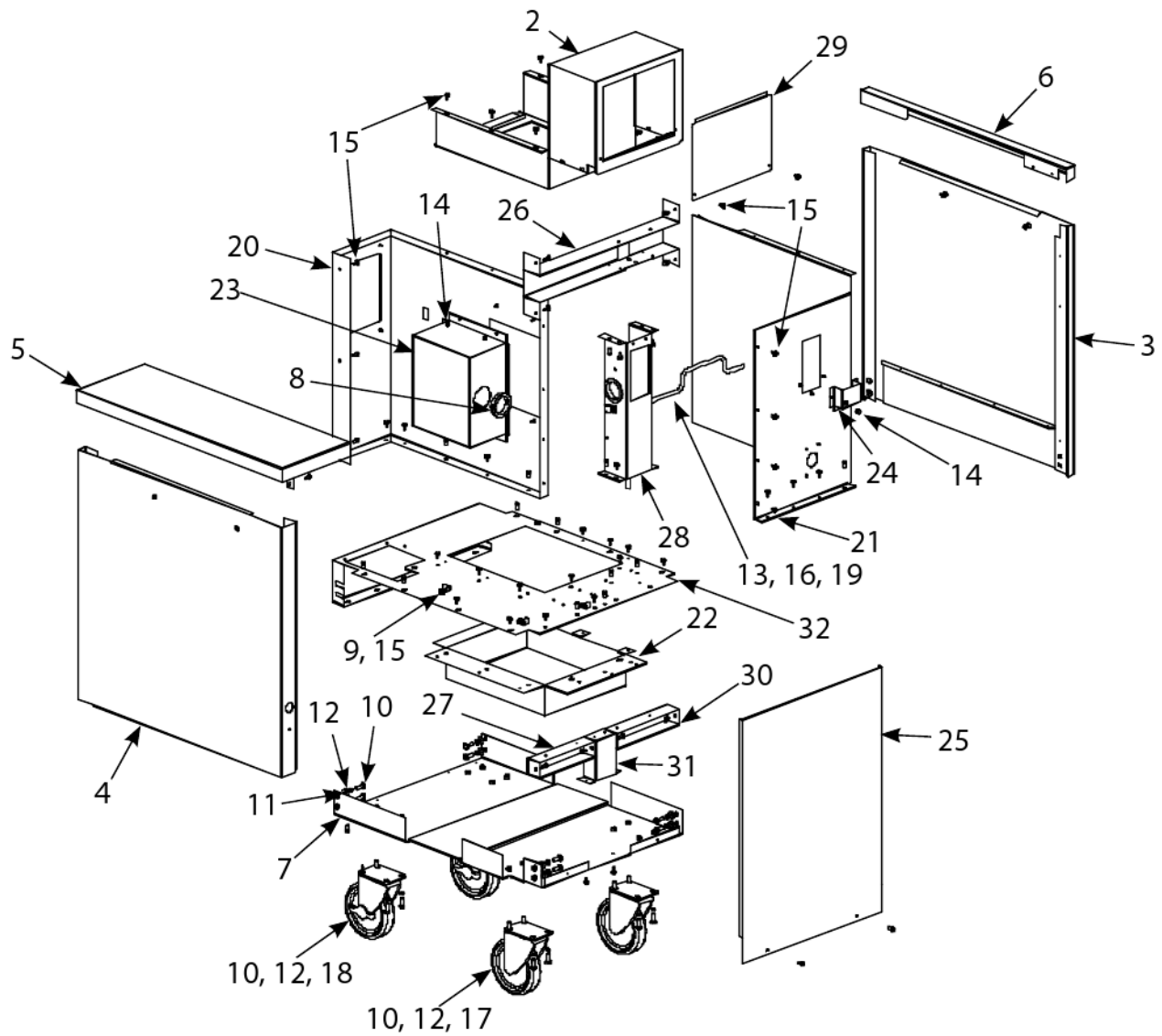
#	PART #	DESCRIPTION	QTY	Note
1	8090402	Thumbscrew - 0.25"-20 x 0.5"	1	
2	8090899	Retainer, 0.25-20	1	
3	8160378	Drum Hopper	1	
4	8160412	Hopper	1	
5	8160568	Sight Glass	1	
6	8261737	Kit, Sight Glass and Lanyard	1	[1]
7	8160491	Lid, Hopper	1	
8	8261592	Kit, Optional Basket Hanger	1	[2]
9	8160416	Drip pan	1	
10	9107920	Handle, Hopper Lid	1	
11	9108688	Deflector	1	

PART NOTES:

- [1] - has no index marks
- [2] - includes drip pan [8160416](#)

SinBad II Single Basket Dispenser

Cabinetry



Cabinetry

Fry_P_0060_6_15_Cabinetry.pdf



SinBad II Single Basket Dispenser

Cabinetry

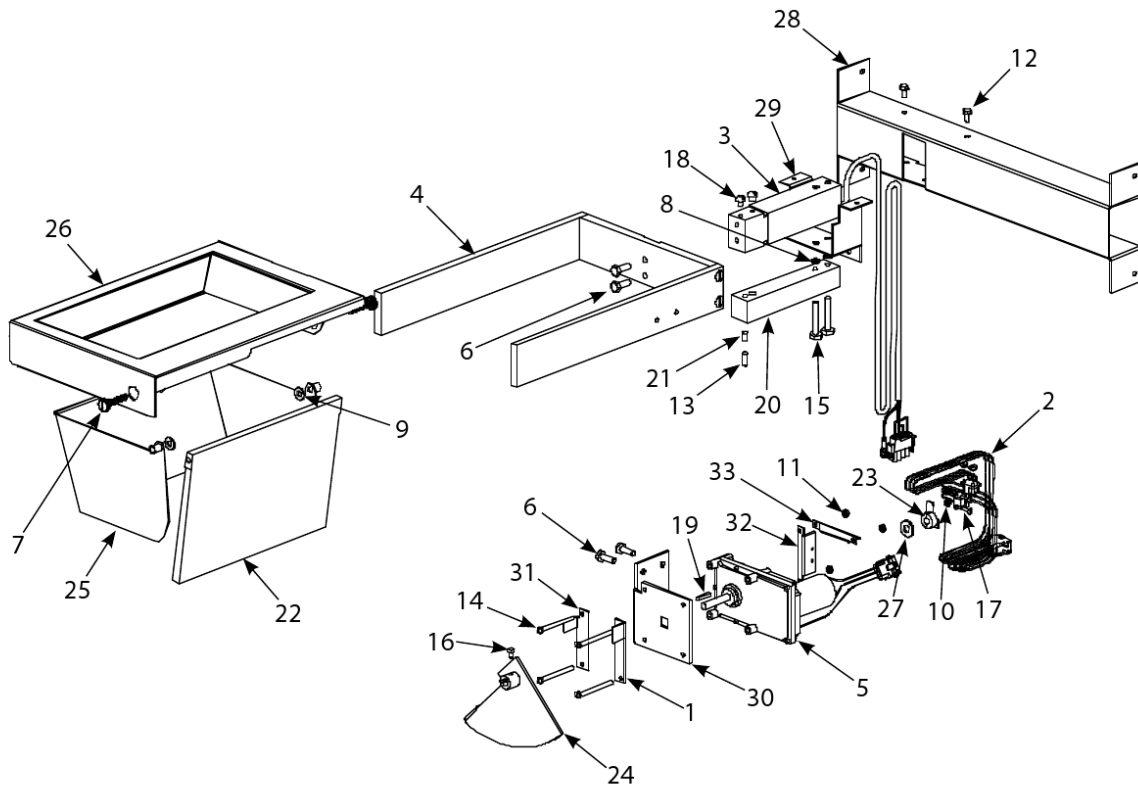
#	PART #	DESCRIPTION	QTY	Note
1	1061382	Cabinet Assembly (Non-CE)	1	
2	1061383	Cabinet Assembly (CE)	1	
2	1060643	Cover Assembly, Drum Motor	1	
3	9108209	Side, Cabinet Left	1	
4	9108219	Side, Cabinet Right	1	
5	8069228	Cover, Right Cabinet Top	1	
6	8069235	Cover, Left Cabinet Top	1	
7	8069782	Base Assembly	1	
8	8071083	Bushing, Heyco	1	
9	8090037	Clamp, Plastic Wire	1	
10	8261389	Screw - 0.25"-20 x 0.75" Hex Head ZP	1	
11	8090189	Washer - 0.25" Flat SS	1	
12	8090191	Washer, Lock 0.25 Spring ZP	1	
13	8090194	Flat Washer - 0.3125" ZP	1	
14	8090250	Nut, 6-32 Keps Hex	1	
15	8090475	Screw - #10-32 x 0.3125" Hex	1	
16	8090783	Nut, 0.3125-18 Nylon Hex Lock	1	
17	8100356	Caster without Brake - 5"	1	
17a	8100357	Caster with Brake - 5"	1	
18	8100949	Caster without Brake - 2.5"	1	
18a	8101735	Caster with Brake - 2.5"	1	
19	8101644	Guide, Basket	1	
20	8232761	Panel, Front	1	
21	8232864	Liner, Inner	1	[1]
22	8240744	Catcher, Fry	1	
23	8240752	Cover, Dispense Motor	1	
24	8240771	Cover, Load Cell Hole	1	
25	9008208	Cover, Back	1	
26	9008211	Brace, Upper Back	1	
27	9008223	Brace, Lower Back	1	[2]
28	9008224	Brace, Load Cell Vertical	1	
29	9008324	Panel, Motor Access	1	
30	9008352	Brace, Lower Back	1	[3]
31	9009440	Support, Base	1	
32	9108990	Liner, Bottom	1	

PART NOTES:

- [1] - CE, Non-CE
- [2] - Right
- [3] - Left

SinBad II Single Basket Dispenser

Dispense System Components



Dispense System Components

SinBad II Single Basket Dispenser

Dispense System Components

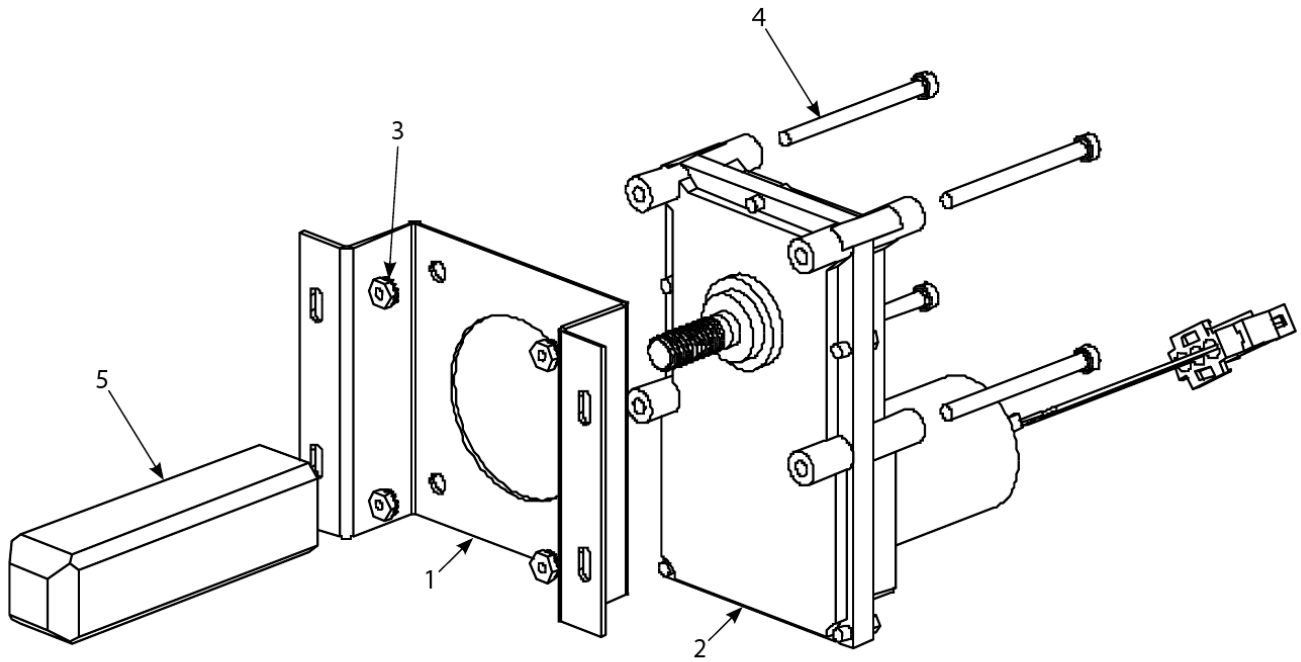
#	PART #	DESCRIPTION	QTY	Note
1	2100810	Stop, Door Open Position	1	
2	8068969SP	Switch Assembly, Position	1	[1]
3	8069258	Load Cell Assembly	1	
4	8069271	Load Cell Arm Assembly	1	
5	8074322	Dispense Motor - 24V DC	1	
6	8261389	Screw - 0.25"-20 x 0.75" Hex Head ZP	10	
7	8090171	Thumbscrew, 0.25-20 x 1.375-inch	1	
8	8090191	Washer, Lock 0.25 Spring ZP	1	
9	8090193	Flat Washer - 0.25" Nylon	1	
10	8261366	Nut - #4-40 Keps Hex	25	
11	8090247	Nut - #8-32 Keps Hex	1	
12	8090475	Screw - #10-32 x 0.3125" Hex	1	
13	8090480	Setscrew, 0.25-28 X 0.625-inch Hex Socket Head	1	
14	8090613	Screw, 8-32 X 2-inch Fillister Head	1	
15	8090649	Bolt, 0.25-20 x 1.5-inch	1	
16	8090674	Setscrew, 8-32 x 0.375-inch Cup Point Square Head	1	
17	8090675	Screw, 4-40 x 0.5-inch Slotted Pan Head	1	
18	8090737	Screw, 0.25-20 x 0.25-inch Slotted Round Head Cap	1	
19	8101391	Key, 0.125-inch x 0.75-inch	1	
20	8101770	Brace, Load Cell	1	
21	8101771	Rod, 0.25-inch x 0.375-inch Aluminum	1	
22	8160400	Door, Dispense Chute	1	
23	8232607	Flag, Door Position	1	[2]
24	8232670	Arm, Dispense Door	1	
25	8232717	Chute, Dispense	1	[3]
26	8233412	Top, Dispense Chute	1	
27	9008169	Shim, Motor Shaft	1	
28	9008211	Brace, Upper Back	1	
29	9008233	Saddle, Load Cell	1	
30	9105855	Bracket, Dispense Motor	1	
31	9107950	Stop, Door Closed Position	1	
32	9108164	Bracket, Lower Position Switch	1	[4]
33	9108165	Bracket, Upper Position Switch	1	[5]
34	8101675	Shim, Load Cell	1	[6]
35	8069272	Shipping Screw Assembly, Load Cell	1	[6]
36	1061529SP	Chute Assembly	1	

PART NOTES:

- [1] - Hall Effect Sensor
- [2] - Hall Effect Sensor Flag
- [3] - see NOTE below
- [4] - Lower Hall Effect Sensor Bracket
- [5] - Upper Hall Effect Sensor Bracket
- [6] - used for transport only

SinBad II Single Basket Dispenser

Drum Motor Components



Drum Motor Components

SinBad II Single Basket Dispenser

Drum Motor Components

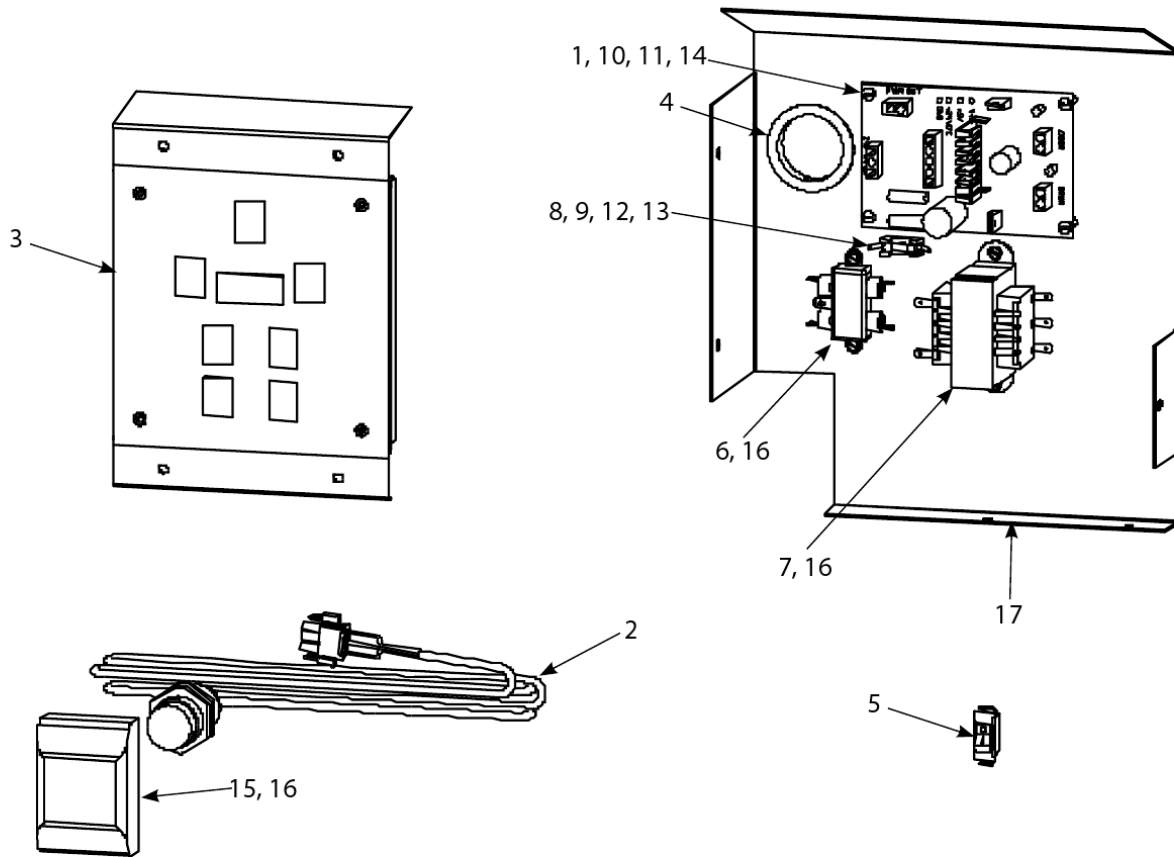
#	PART #	DESCRIPTION	QTY	Note
1	2000953	Bracket, Drum Motor	1	
2	8074323	Drum Motor - 24V DC	1	
3	8090247	Nut - #8-32 Keps Hex	1	
4	8090613	Screw, 8-32 X 2-inch Fillister Head	1	
5	8101571	Arm, Drum Rotator	1	[1]
6	8069326SP	Motor Assembly	1	

PART NOTES:

[1] - "Bullet"

SinBad II Single Basket Dispenser

Electronics



Electronics

Fry_P_0060_6_15_Electronics.pdf

SinBad II Single Basket Dispenser

Electronics

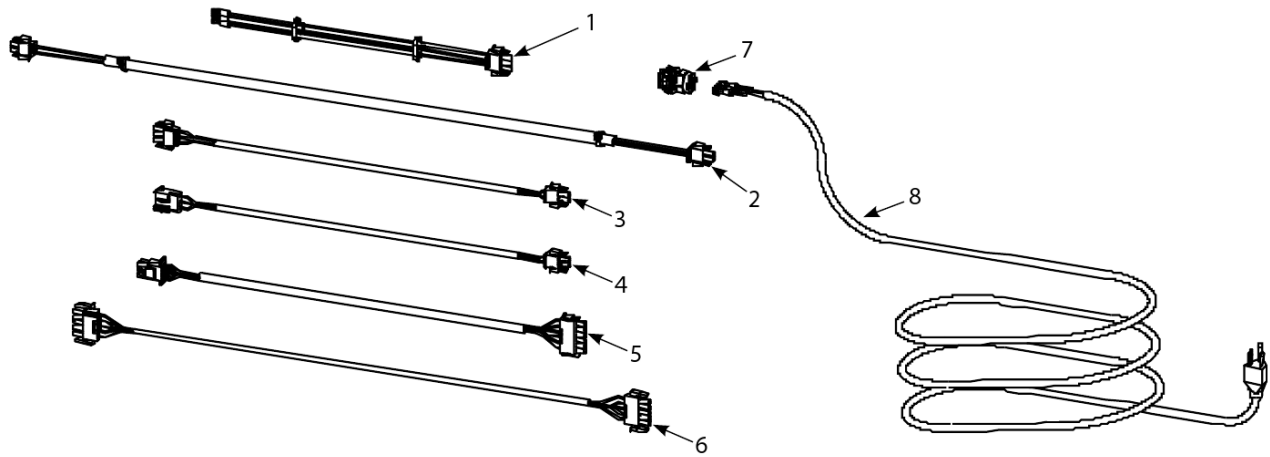
#	PART #	DESCRIPTION	QTY	Note
1	1060242	Interface Board	1	
2	1060503SP	Switch Assembly, Proximity	1	
3	1066630	Computer Assembly	1	
4	8071083	Bushing, Heyco	1	
5	8072734	Switch, 120V Green Lighted ON/OFF Rocker	1	
6	8072818	Line Filter (CE)	1	
7	8072943	Transformer, 115/230V-24V	1	
7a	8073185	Transformer 230V (CE)	1	[1]
8	8073127	Fuse Holder	1	[1]
9	8073128	Fuse	1	[1]
10	8090097	Screw, 6-32 X 1-inch Slotted Truss Head	1	
11	8090250	Nut, 6-32 Keps Hex	1	
12	8090669	Screw, #3-48 Rd Hd 18-8 SS	1	[1]
13	8090670	Nut, #3-48 Hex Hd 18-8 SS	1	[1]
14	8100383	Spacer, Nylon	1	
15	8160566	Block, Proximity Switch	1	
16	8261371	Screw - #8 x 0.5" Hex Head ZP	25	
17	9008938	Bracket, Electronic Components Mounting	1	
18	8261605	Kit, Computer Gasket	1	

PART NOTES:

[1] - Used on CE units only

SinBad II Single Basket Dispenser

Wiring



SinBad II Single Basket Dispenser

Wiring

#	PART #	DESCRIPTION	QTY	Note
1	8068956	Cable, Transformer to Interface Board	1	
2	8068957	Cable, Computer/Interface Board 12VDC Power	1	
3	8072912	Cable, Dispense Motor to Computer Terminal J5	1	
4	8072915	Cable, Drum Motor to Computer Terminal J4	1	
5	8073056	Cable, Position (Hall-effect) Switch to Interface Board Terminal J8	1	
6	8073058	Cable, Computer/Interface Board Signal	1	
7	8073240	Strain Relief, Power Cord, Non-CE	1	
7a	8073287	Strain Relief, Power Cord, CE	1	
8	8068889	Power Cord, 120VAC w/strain relief and plug (Non-CE)	1	
8a	8069251	Power Cord, 100-450VAC (#16, 18 amp, w/strain relief, w/o plug) (Non-CE Export)	1	
8b	8069886	Power Cord, 230VAC w/strain relief and plug (CE)	1	