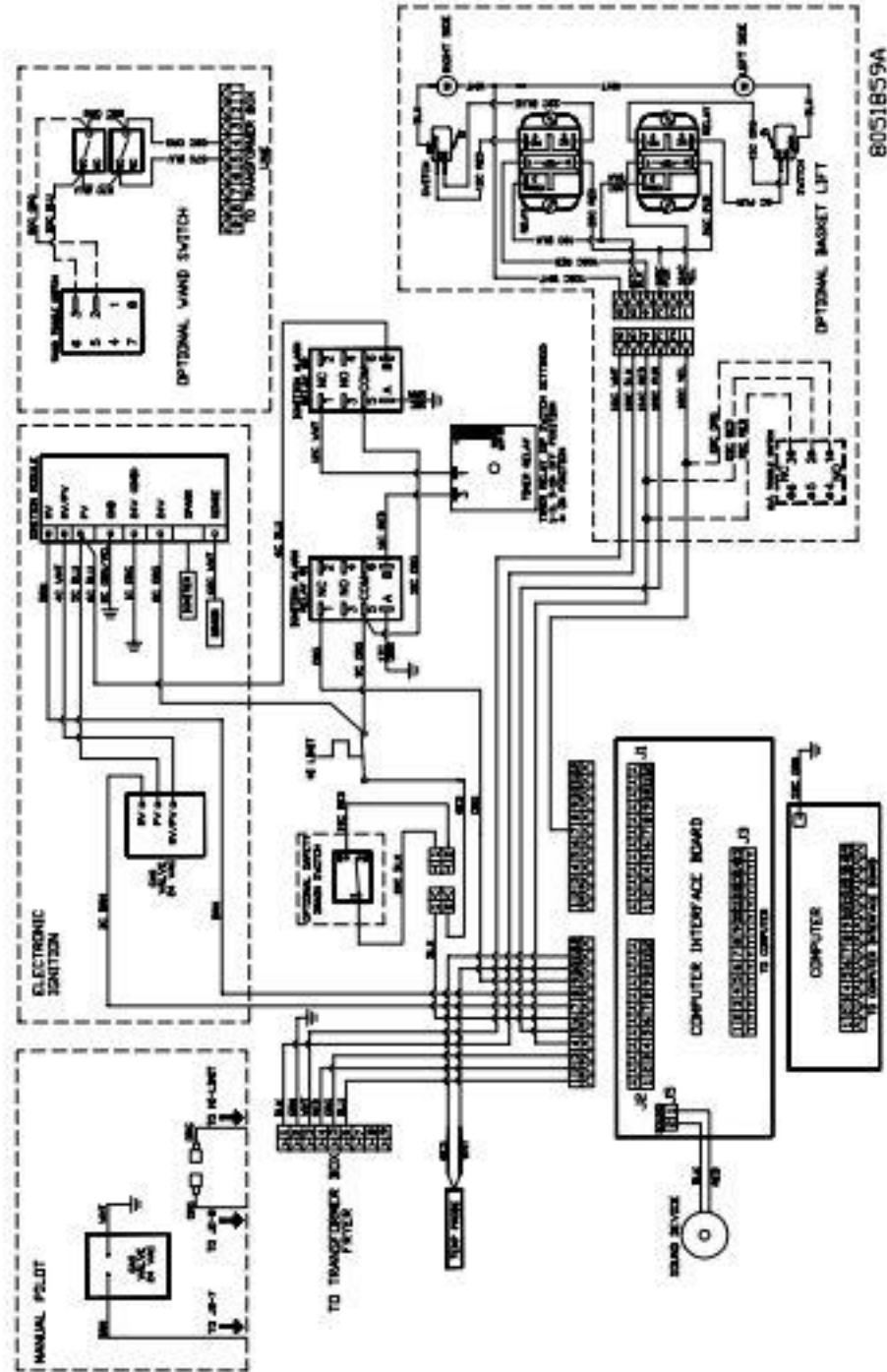
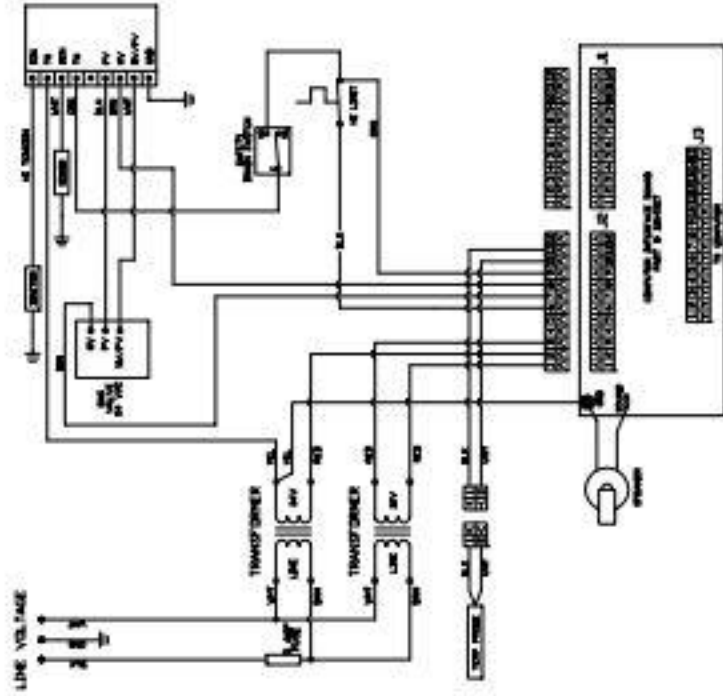


8051828B

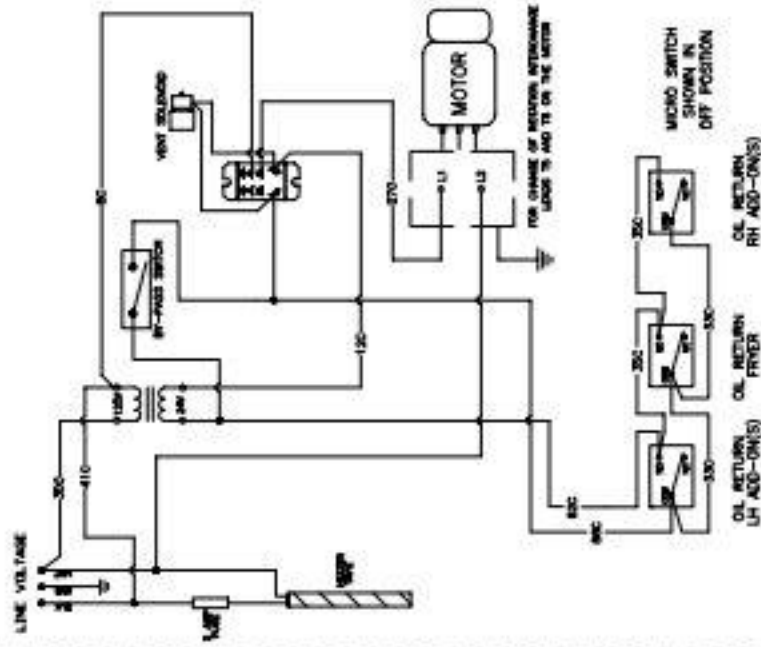


8051859A

### CONTROL CIRCUITS



### FILTER CIRCUITS



FOR CHANGE OF MOTOR INTERCHANGE LEADS TO AND TO ON THE MOTOR

MICRO SWITCH SHOWN IN OFF POSITION

OIL RETURN LH ADD-ON(S)  
 OIL RETURN OIL FRYER  
 OIL RETURN RH ADD-ON(S)

