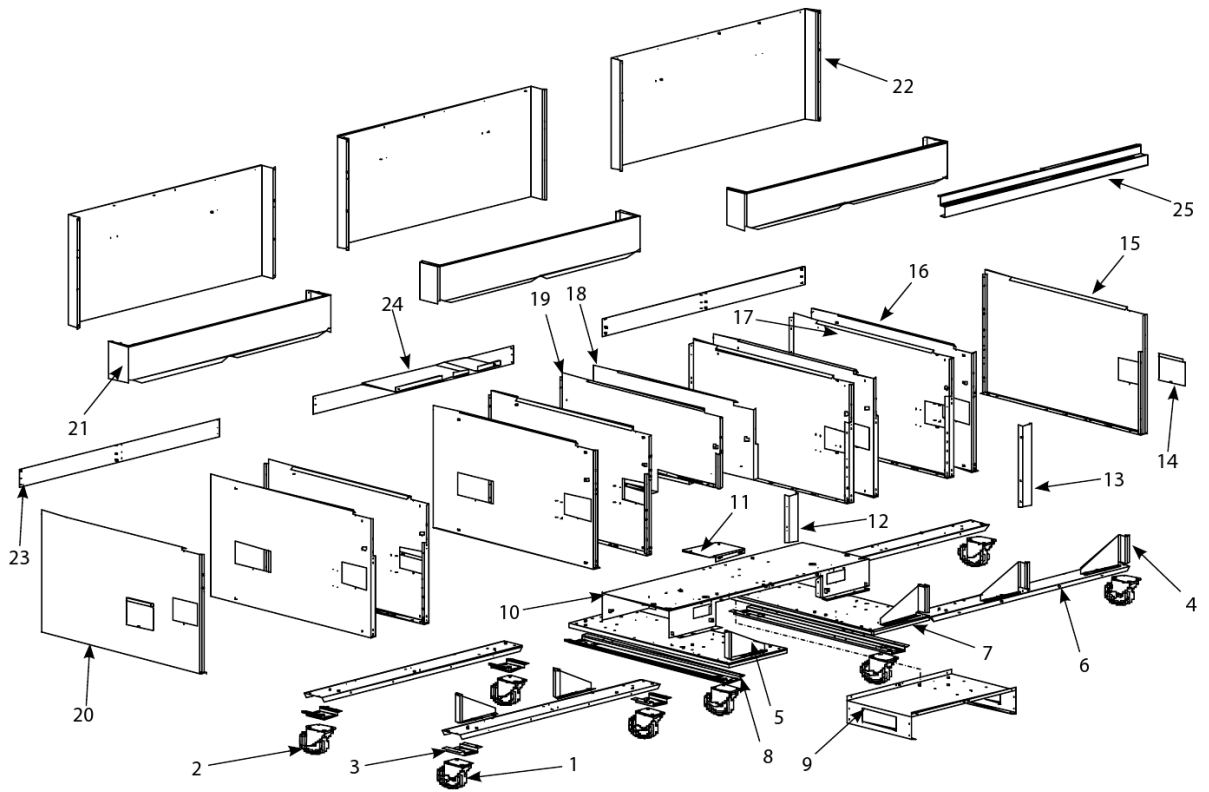


# FPD65 Series Gas Fryers

## Cabinetry and Related Components



# FPD65 Series Gas Fryers

## Cabinetry and Related Components

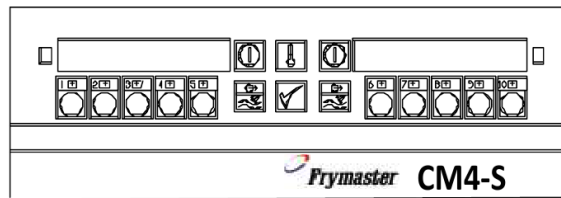
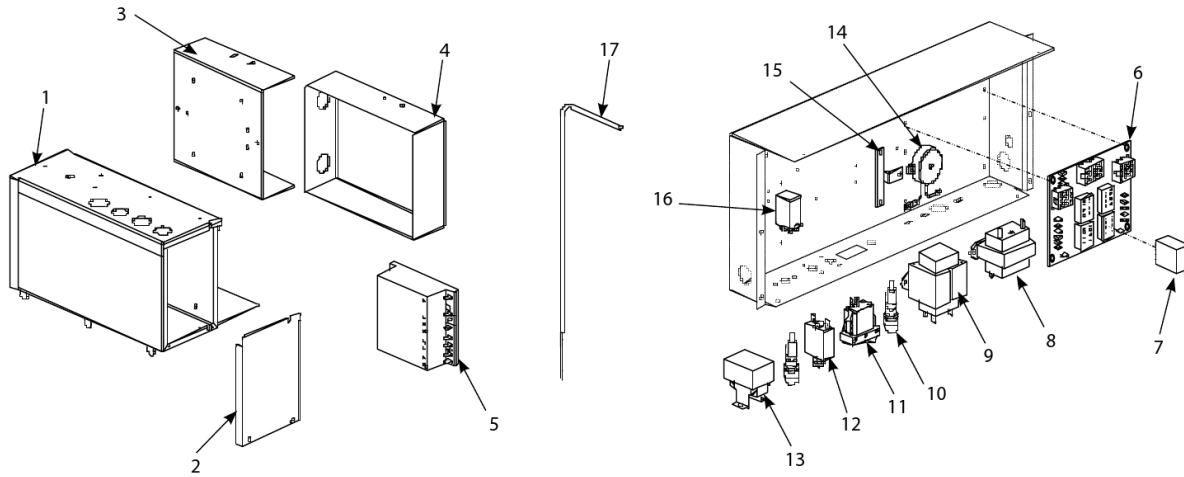
#	PART #	DESCRIPTION	QTY	Note
1	8100357	Caster with Brake - 5"	1	
2	8100356	Caster without Brake - 5"	1	
3	8233248	Support, Caster- Channel Base	1	
4	2021182	Gussets - Right	1	
5	2011182	Gussets - Left	1	
6	2001463	Channel, Base- Front & Rear- 2-Battery	1	[1]
6a	2002493	Channel, Base- Front & Rear- 1-Battery	1	[2]
7	2001198	Channel, Base	1	
8	8233352	Support, Caster- UFF Base	1	
9	2001493	Frame, Base Lower Plate- UFF	1	
10	2001611	Base, Upper	1	
11	2004241	Plate, Motor Support- Offset	1	
12	2002308	Post, Door	1	
13	2001393	Channel, Lower Joiner	1	
14	2001471	Cover, Access Duct	1	
15	2021299	Side Panel, Painted, RH	1	
16	2014775	Panel, Inner- Left	1	
17	2024775	Panel, Inner- Right	1	
18	2014237	Panel, Inner UFF- Left	1	
19	2024237	Panel, Inner UFF- Right	1	
20	2011299	Side Panel, Painted, LH	1	
21	8233826	Fluecap	1	
22	2003696	Back, Upper Structural (FPD665)	1	
22a	2003694	Back, Upper Structural (FPD565)	1	
22b	2001376	Bracket, Restraining	1	
23	2001425	Back, Lower Structural- Right & Left Cabinet	1	
24	2004238	Back, Lower Structural- Middle UFF Cabinet	1	
25	2103700	Hanger, Basket- 2-Battery	1	

### PART NOTES:

- [1] - FPD565 & FPD665
- [2] - FPD565 Only

# FPD65 Series Gas Fryers

## Component Box Components



# FPD65 Series Gas Fryers

## Component Box Components

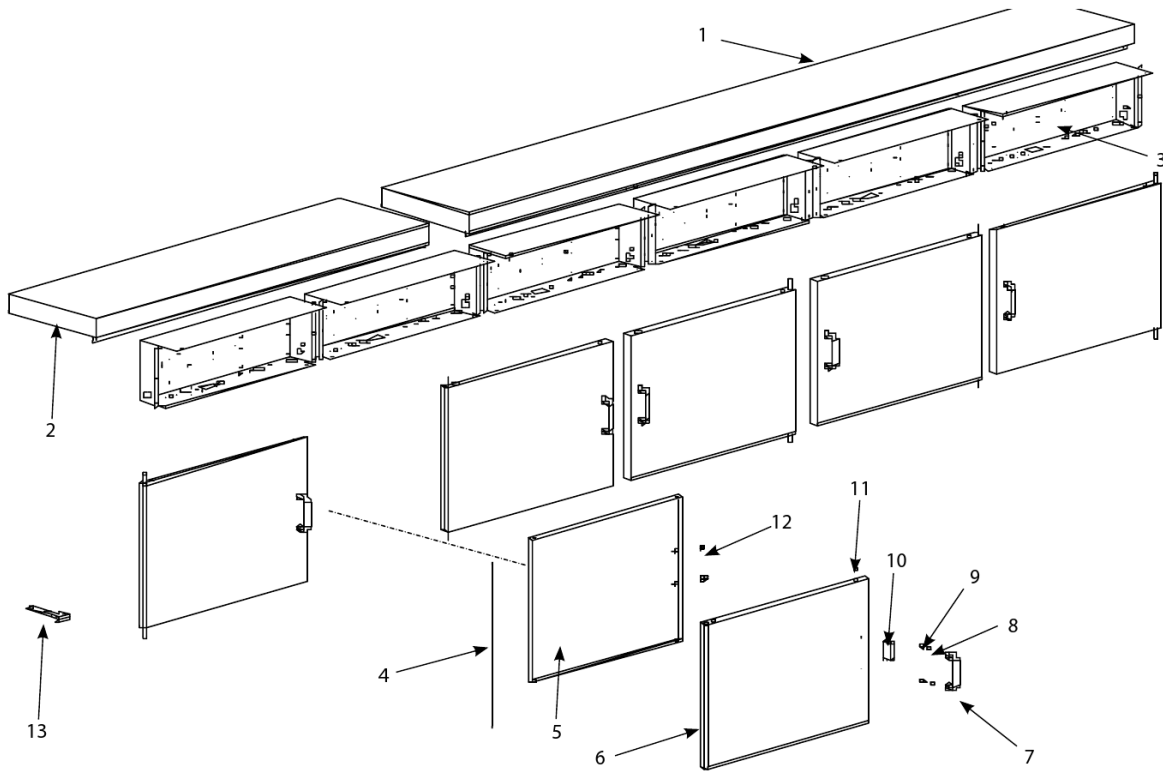
#	PART #	DESCRIPTION	QTY	Note
1	8233242	Control Box	1	[1]
2	2101364	Plate, Face	1	[2]
3	2001322	Bracket, Spark Module	1	
4	2001326	Cover, Spark Module	1	
5	8073563	Module, Ignition	1	[3]
5a	8071315	Cable, Ignition Module	1	
6	8262434	Interface Board, Electronic Ignition	1	
6a	8262425	Control Board w/Wiring Harness	1	
7	8070833	Relay, DPDT 5A 12VDC Latch	1	[4]
8	8070855	Transformer - 120V/50-60 Hz - 12V 20VA	1	
9	8070800	Transformer, 100-120V/24V 50VA Filter and MIB	1	
10	8071321	Holder, Fuse	1	
10a	8073750	Fuse, 5A	1	
11	8073580	Switch, Filter By-pass Rocker	1	
12	8073577	Circuit Breaker - 7 amp	1	[5]
12a	8073538	Circuit Breaker - 5 amp	1	[6]
13	8073680	High-limit Thermostat, Manual Reset 450° F	1	[7]
14	8067179	Sound Device	1	
15	2002052	Bracket, Speaker	1	
16	8073611	Relay, 24-Amp	1	
17	1061541SP	Probe, Temperature- Computer	1	
18	8068305	Computer, CM4-S- With Bezel Generic	1	[8]
18a	1081015	Computer, CM4-S- With Bezel Church's Only	1	[9]
18b	8233433	Bezel, Computer	1	

### PART NOTES:

- [1] - Inside Non-Filter Fryer Cabinets
- [2] - For Item #1
- [3] - Spark
- [4] - Latching
- [5] - 115VAC Circuits
- [6] - 230VAC Circuits
- [7] - Non-CE Only
- [8] - Segmented Programming
- [9] - Segmented. Prog.

# FPD65 Series Gas Fryers

## Doors, Topcaps and Related Components



# FPD65 Series Gas Fryers

## Doors, Topcaps and Related Components

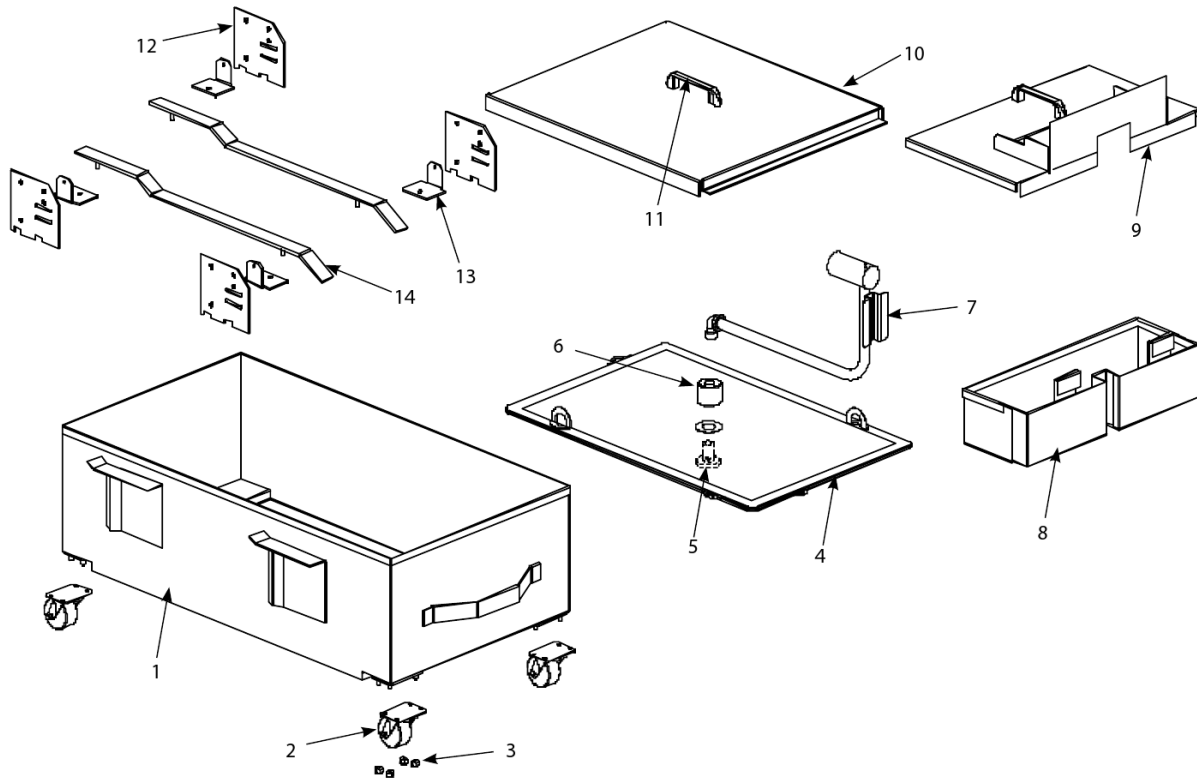
#	PART #	DESCRIPTION	QTY	Note
1	8241183	Topcap, 4-Battery	1	
1a	8241184	Topcap, 3-Battery	1	
2	8241185	Topcap, 2-Battery	1	
3	8240951	Wireway, Control Panel	1	
4	2001301	Door Pin	1	
5	2001185	Door Panel, Inner	1	
6	2101424	Panel, Door- Outer	1	
7	8100180	Handle	1	
8	8090918	Screw - #10-24 x 0.5" Slotted	1	[1]
9	8090191	Washer, Lock 0.25 Spring ZP	1	[1]
10	8100066	Magnet	1	
10a	8101105	Door Magnet - Vertical	1	
10b	2003663	Plate, Door Magnet	1	[2]
11	8090266	Screw, 10 x 0.5-inch Phillips Head ZP	1	
12	8100179	Button, Plug	1	[3]
13	2001675	Lower Hinge Bracket	1	
13a	8090413	Spacer, Door Post (0.25-inch ID x 4mm nylon washer)	1	[4]

### PART NOTES:

- [1] - Use With [8102105](#)
- [2] - Use Where Magnet Contacts Stainless Steel
- [3] - Handle Screws
- [4] - 0.25-inch ID x 4mm nylon washer

# FPD65 Series Gas Fryers

## Filter Pan and Related Components



# FPD65 Series Gas Fryers

## Filter Pan and Related Components

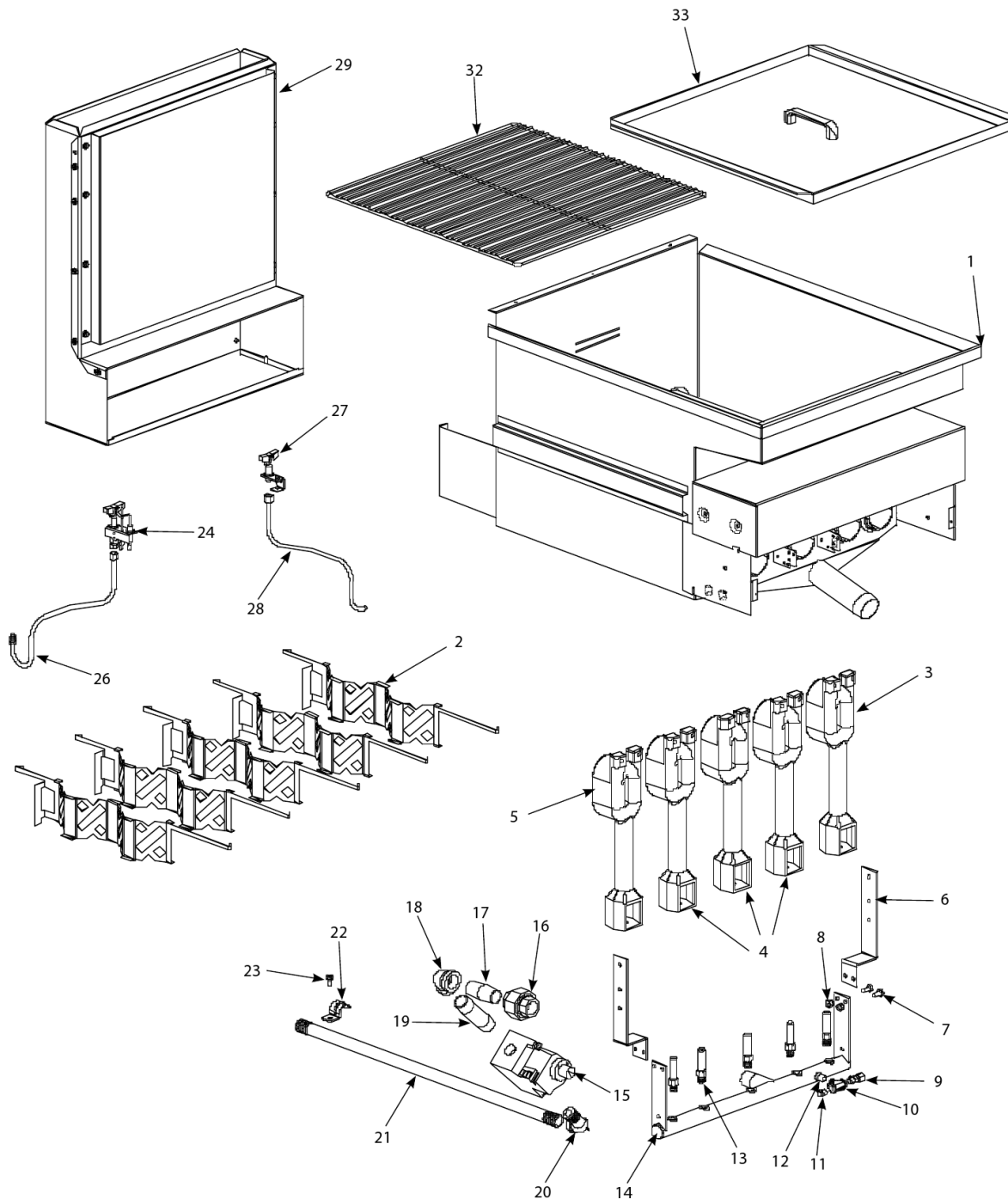
#	PART #	DESCRIPTION	QTY	Note
1	<a href="#">8234109</a>	Pan, Filter	1	
2	<a href="#">8102805</a>	Caster - 2"	1	
3	<a href="#">8090823</a>	Nut, Nylock, 0.25-20	1	
4	<a href="#">8102350</a>	Magnesol Filter Screen, UFF 50 IHOP	1	
5	<a href="#">8102583</a>	Fitting, Bottom- Filter Leaf	1	
6	<a href="#">8102582</a>	Fitting, Top- Filter Leaf	1	
6a	<a href="#">8030002</a>	Powder, Filter	100	[1]
7	<a href="#">8234112</a>	Tube, Suction	1	
7a	<a href="#">8130679</a>	Plug, 0.125" SS NPT, Sq-Head	1	
8	<a href="#">8233872</a>	Crumb Basket, UFF 50 IHOP	1	
9	<a href="#">8233178</a>	Cover, Filter Pan- Front	1	
10	<a href="#">2101592</a>	Cover, Filter Pan- Rear	1	
11	<a href="#">8100180</a>	Handle	1	
11a	<a href="#">8090918</a>	Screw - #10-24 x 0.5" Slotted	1	[2]
11b	<a href="#">8090191</a>	Washer, Lock 0.25 Spring ZP	1	[2]
12	<a href="#">2002713</a>	Plate, Suction Manifold	1	
13	<a href="#">2101180</a>	Insert, Suction Manifold	1	
14	<a href="#">8233347</a>	Frame, Slide Base	1	

### PART NOTES:

- [1] - Filter Magic- 100 1-Cup Applications
- [2] - Use With [8102105](#)

# FPD65 Series Gas Fryers

## Frypots, Burners and Related Components



# FPD65 Series Gas Fryers

## Frypots, Burners and Related Components

#	PART #	DESCRIPTION	QTY	Note
1	8262724	Frypot - S/S	1	
2	2105170	Diffuser, Burner Tube	1	
3	8102150	Burner, Right	1	
4	8102149	Burner, Center	1	
5	8102151	Burner, Left	1	
5a	2002738	Bracket, Burner Mounting	1	
5b	2002746	Shield, Burner Heat	1	
6	2001615	Support, Manifold	1	
7	8090428	Screw - 0.25"-20 x 0.5" Steel	1	
8	8090823	Nut, Nylock, 0.25-20	1	
9	8130887	Valve, Pilot Adjustment - 0.125" NPT x 0.25" CC	1	
10	8130642	Tee, 0.125" NPT	1	
11	8130705	Plug, Brass- 0.125" Square Head	1	
12	8130643	Nipple, 0.125" NPT x Close BM	1	
13	8102050	Orifice, Natural- #44 (2.18 mm)	1	
13a	8100710	Propane Orifices, 1.40 mm	1	
14	8233617	Manifold, Gas	1	
15	8073628	Gas Valve, LP, 24V	1	
15a	8073552	Gas Valve, Natural and Manufactured Gas, 24V	1	
16	8130174	Union, 0.75" NPT BM	1	
17	8130635	Nipple, 0.75 NPT x 2-0.5" BM	1	
18	8130066	Elbow, 0.75-inch NPT x 90°	1	
19	8130743	Label Potentiometer Time Setting	1	
20	8130165	Elbow - 0.5" x 90° NPT Street	1	
21	8130670	Nipple, 0.5 x 19" NPT BM	1	[1]
21a	8130585	Nipple, 0.5 NPT x 20-0.5" BM	1	[1]
21b	8130737	Nipple, 0.5 NPT x 21" BM	1	[1]
22	8102043	Clamp, 0.5"	1	
23	8090805	Screw, 0.25-20 x 0.5"	1	
23a	2001450	Bracket, Gas-Supply Clamp Support	1	[2]
24	1081651SP	Pilot Burner, LP, Electronic Ignition	1	
24a	8071311	Burner, Pilot- Natural- Electronic Ignition	1	
25	8071310	Flame Sensor, Ignitor	1	
26	8100703	Pilot Tubing, Gas Valve to Pilot	1	
26a	8100705	Gas Line, Pilot Supply - 0.25 x 20"	1	
27	8102155	Pilot Burner, RS (LP)	1	
27a	8102032	Pilot Burner, RS (Natural)	1	
28	8121544	Gas Line, Trailing Pilot Supply- 0.25 x 12"	1	[3]
29	1062634SP	Flue Assembly, Complete	1	
30	2004086	Shield, Flue Heat	1	
30a	2004087	Front, Flue Box	1	
30b	2004088	Rear, Flue Box	1	
31	2003649	Deflector, Flue	1	
32	8102524	Grid, Frypot- 65 Series	1	
33	1062897SP	Cover, FPD	1	

# FPD65 Series Gas Fryers

## Frypots, Burners and Related Components

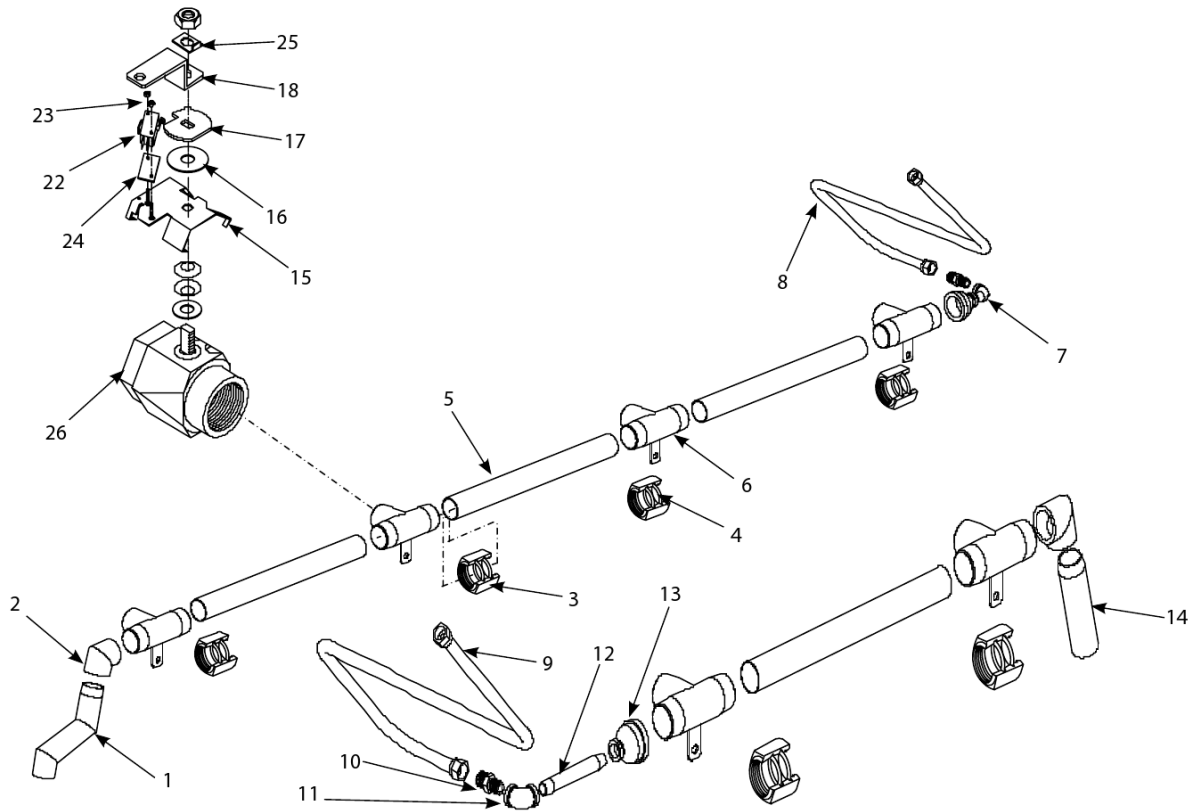
#	PART #	DESCRIPTION	QTY	Note
---	--------	-------------	-----	------

**PART NOTES:**

- [1] - Measure To Confirm Length
- [2] - UFF-Equipped Systems
- [3] - Not For Main Pilot

# FPD65 Series Gas Fryers

## Oil-Drain Components



# FPD65 Series Gas Fryers

## Oil-Drain Components

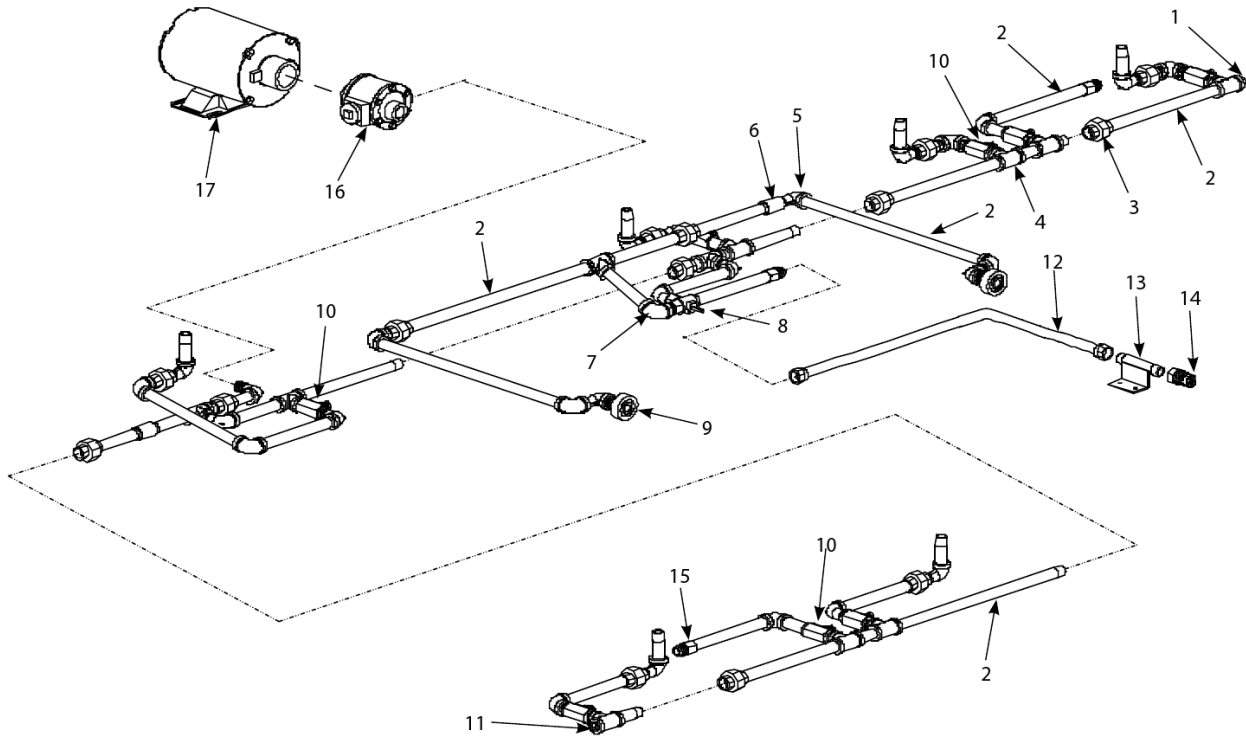
#	PART #	DESCRIPTION	QTY	Note
1	8234189	Pipe, Drain- Right- D665	1	[1]
1a	8233441	Pipe, Drain- Right- D565	1	[2]
2	8130829	Elbow, Drain Pipe- 75°	1	
3	8090884	Nut, Slip-Joint	1	
4	8160544	O-Ring	1	[3]
5	2001840	Drain Manifold Tube	1	
6	8130749	Tee, 1-0.5" NPT With Handle	1	
7	8130165	Elbow - 0.5" x 90° NPT Street	1	
8	8101069	Flexline - 0.625" OD x 29.5" L	1	[4]
9	8101057	Flexline - Oil Return - 13" L	1	[4]
10	8101668	Male Adaptor - 0.625" OD x 0.5"	1	[5]
11	8130062	Elbow - 0.5" BM x 90°	1	
12	8130096	Nipple, 0.6-inch NPT x 6-inch (15.2 cm)	1	
13	8130686	Cap, Drain Flush End	1	
14	8130784	Drain Pipe, Left Side	1	
15	1061401	Bracket, Microswitch	1	[6]
16	2001617	Drain Valve Components Washer, Drain Valve	1	[7]
17	2102029	Drain Valve Components Bracket, Activator- Microswitch	1	
18	2001940	Drain Valve Components Handle (Actuator), Drain Valve	1	
18a	8233440	Handle, Drain, Push/Pull	1	[8]
19	8090885	Washer, 0.375 x 1 x .083" Type A Plain	1	
20	8090843	Pin, Cotter- Plated	1	
21	8160547	Cap, Vinyl- Red	1	
22	8072104	Microswitch	1	[6]
23	8090842	Nut, 4-40 Nylock	1	[9]
24	8160220	Insulation, Microswitch	1	
25	2001257	Retainer, Drain Valve Nut	1	
26	8102127	Drain Valve, 1-0.5" Full Port	1	[10]

### PART NOTES:

- [1] - With Oil Disposal System
- [2] - No Oil-Disposal System
- [3] - Slip-Joint Nut
- [4] - Measure To Confirm Length
- [5] - Use With [8101057](#) and [8101069](#)
- [6] - Optional On Some Units
- [7] - Use Without Microswitch
- [8] - With Cap
- [9] - Microswitch To Bracket
- [10] - With Washers & Nut

# FPD65 Series Gas Fryers

## Oil-Return Components



# FPD65 Series Gas Fryers

## Oil-Return Components

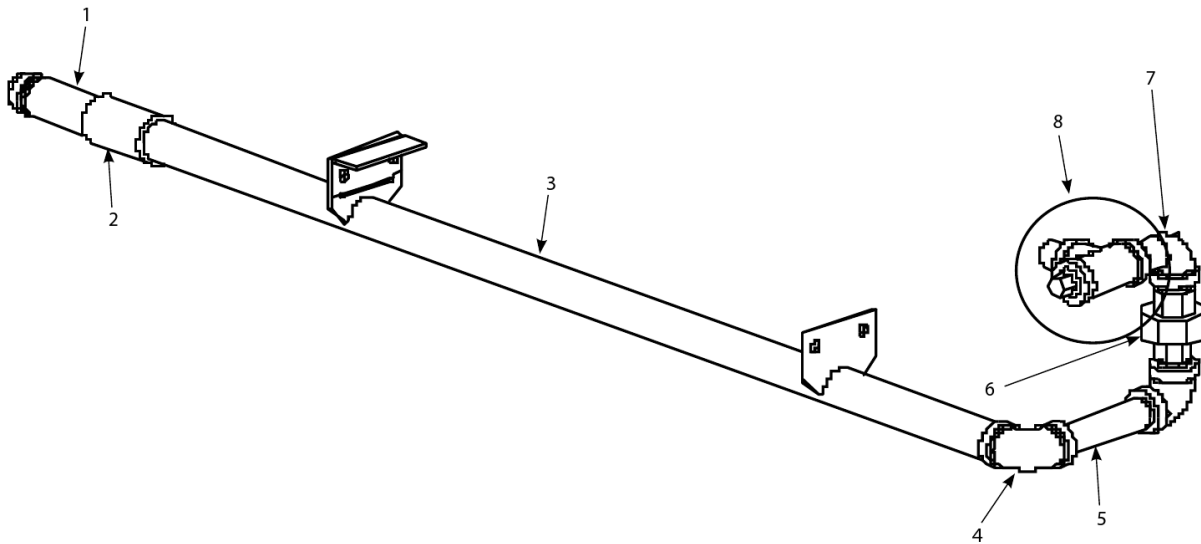
#	PART #	DESCRIPTION	QTY	Note
1	8130463-FRY	Plug - 0.5" NPT	1	
2	8130022	Nipple, 0.5" Close NPT BM	1	
2a	8130087	Nipple, 0.5-inch NPT x 1.5-inch (3.8 cm)	1	
2b	8130298	Nipple, 0.5" x 2.00" NPT BM Pipe	1	
2c	8130265	Nipple - 0.5" x 2.5" NP	1	
2d	8130460	Nipple, 0.5-inch X 3.0-inch NPT	1	
2e	8130247	Nipple, 0.5 x 3.5" NPT BM	1	
2f	8130251	Nipple, 0.5" x 4.5" NPT BM Pipe	1	
2g	8130646	Nipple, 0.5 x 5" NPT BM	1	
2h	8130742	Nipple, 0.5" x 5.50 NPT, BM	1	
2i	8130674	Nipple, 0.5 NPT x 7-0.25"	1	
2j	8130672	Nipple, 0.5 x 8" NPT BM	1	
2k	8130673-FRY	Nipple - 0.5" x 8-0.5" NPT BM	1	
2l	8130698	Nipple, 0.5 x 10-0.5" NPT BM	1	
2m	8130515	Nipple, 0.5-inch NPT x 12-inch (30.5 cm)	1	
2n	8130418	Nipple, 0.5 x 17" NPT BM	1	
2o	8130670	Nipple, 0.5 x 19" NPT BM	1	
3	8130173	Union, 0.5-inch NPT	1	
4	8130003-FRY	Tee - 0.5" NPT	1	
5	8130165	Elbow - 0.5" x 90° NPT Street	1	
6	8130051	Coupling, 0.5" NPT BM	1	
7	8130062	Elbow - 0.5" BM x 90°	1	
8	8101003	Valve, 180° 3-way Ball	1	
8a	8234234	Handle, Wand/Disposal	1	
8b	2104239	Bracket, Wand/Disposal Handle	1	
8c	8160549	Cap, Flush Valve Handle- Blue	1	[1]
9	1061837SP	Disconnect Assembly, With Collar	1	
10	8100278	Valve, 0.5" Ball	1	
10a	8233187	Handle, Oil-Return Valve	1	
10b	8160548	Cap, Yellow Vinyl Oil Return Handle	1	
10c	8234174	Handle Assembly (Actuator)- Oil-Return Valve	1	
10d	8100278	Valve, 0.5" Ball	1	
10e	8160549	Cap, Flush Valve Handle- Blue	1	
10f	8090885	Washer, 0.375 x 1 x .083" Type A Plain	1	
11	8130463-FRY	Plug - 0.5" NPT	1	
12	8101056	Flexline - Oil Disposal - 0.625" OD x 52.5" L	1	
13	8233996	Nipple Assembly, Oil Disposal	1	
14	8100487	Coupling, Male, Quick Disconnect	1	
15	8101669	Female Adaptor - 0.875" OD x 0.5"	1	
16	8102098	Pump, Filter- 8GPM	1	
17	8102100	Motor, Filter Pump	1	

**PART NOTES:**

[1] - Cut Length To Fit

# FPD65 Series Gas Fryers

## Suction Tube, Oil-Return Components



# FPD65 Series Gas Fryers

## Suction Tube, Oil-Return Components

#	PART #	DESCRIPTION	QTY	Note
1	<a href="#">8100697</a>	Disconnect, Male	1	
1a	<a href="#">8261392</a>	O-Ring	5	
2	<a href="#">8130608</a>	Coupling, Full	1	
3	<a href="#">8233188</a>	Suction Manifold Assembly	1	
4	<a href="#">8130062</a>	Elbow - 0.5" BM x 90°	1	
5	<a href="#">8130093-FRY</a>	Nipple - 0.5" NPT x 4"	1	[1]
6	<a href="#">8130173</a>	Union, 0.5-inch NPT	1	
7	<a href="#">8130165</a>	Elbow - 0.5" x 90° NPT Street	1	
8	<a href="#">8130022</a>	Nipple, 0.5" Close NPT BM	1	
8a	<a href="#">8130463-FRY</a>	Plug - 0.5" NPT	1	
8b	<a href="#">8130003-FRY</a>	Tee - 0.5" NPT	1	

**PART NOTES:**

[1] - replaces Item 11 in some models