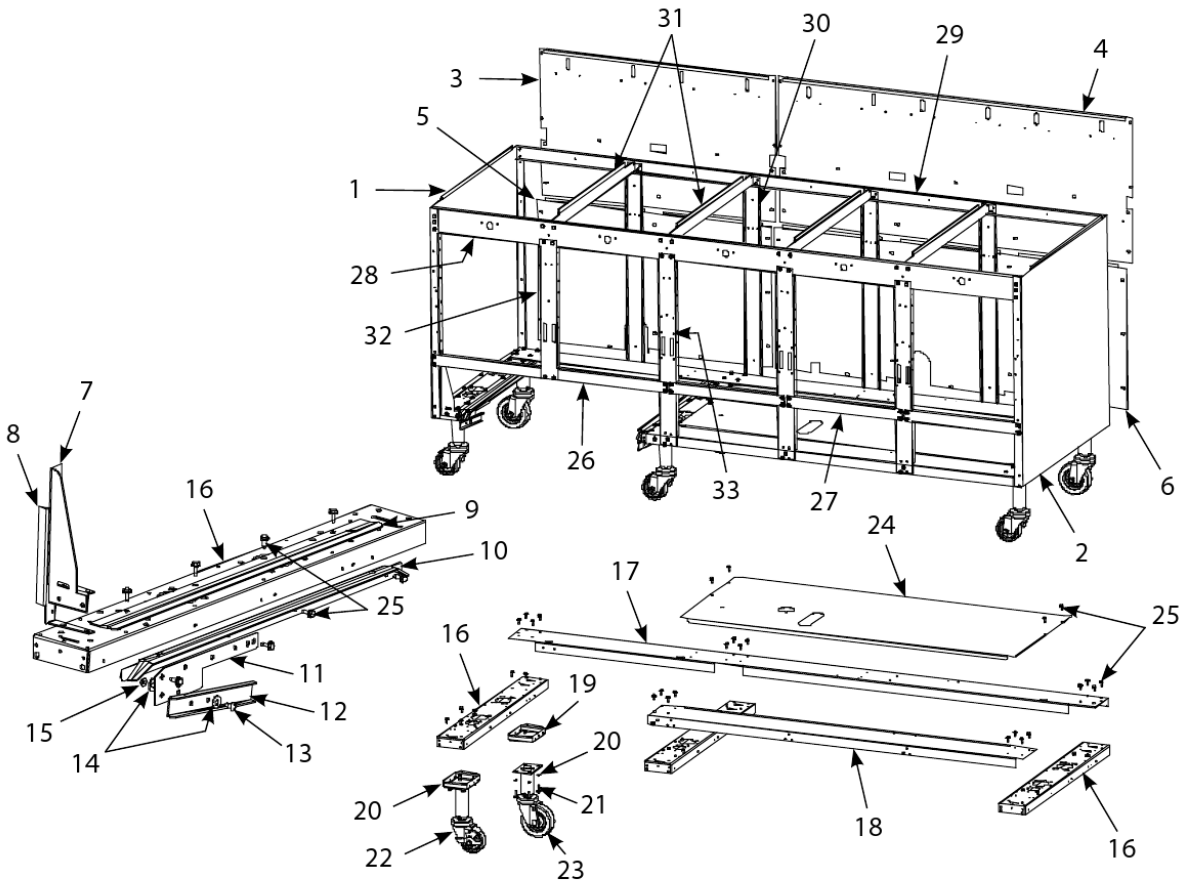


# MH52 and BIH52 Series Gas Fryers

## Cabinetry Components - BIH52 Cabinet Components (Batteries)



# MH52 and BIH52 Series Gas Fryers

## Cabinetry Components - BIH52 Cabinet Components (Batteries)

#	PART #	DESCRIPTION	QTY	Note
1	9117688SP	Side, Left Cabinet (After 5 Nov 2000)Side, Left Cabinet	1	
2	9127688SP	Side, Right Cabinet (After 5 Nov 2000)Side, Right Cabinet	1	
3	<a href="#">9007714</a>	Back, Upper Cabinet (MH452, After 5 Nov 2000) (18.72-inches x 31.24-inches)Back, Upper Cabinet (BIH252, BIH452 & BIH552)	1	
3a	9002881	Back, Upper Cabinet (BIMH452)	1	
4	<a href="#">9009424</a>	Back, Upper Cabinet (MH352 and MH552, After 5 Nov 2000) (18.72-inches x 46.88-inches)Back, Upper Cabinet (BIH352 and BIH552)	1	
5	9007712	Back, Lower Cabinet (After 5 Nov 2000, MH252, MH452, and MH552) (18-inches x 31-inches)Back, Lower Cabinet (BIH252, BIH452 and BIH552)	1	
6	9009425	Back, Lower Cabinet (After 5 Nov 2000, MH352 and MH552) (18-inches x 46.5-inches)Back, Lower Cabinet (BIH352 and BIH552)	1	
7	<a href="#">9011810</a>	Gusset, Left Cabinet	1	
7a	<a href="#">9021810</a>	Gusset, Right Cabinet (BIH252)	1	
8	<a href="#">9011948</a>	Channel, Universal Side Support	1	
9	<a href="#">9114690</a>	Rail, Left Top Filter	1	
9a	<a href="#">9124690</a>	Rail, Right Top Filter	1	
10	<a href="#">9105244</a>	Rail, Universal Filter	1	
11	<a href="#">9001959</a>	Bracket, Filter Lock Mounting	1	
12	<a href="#">9001957</a>	Lock, Filter	1	
13	<a href="#">8090422</a>	Screw, 10-32 x 0.4375-inch Slotted Truss HeadScrew, 10-32 x .4-inch Shoulder	1	
14	<a href="#">8090189</a>	Washer - 0.25" Flat SS	1	
15	<a href="#">8090053</a>	Nut, 10-32 Hex	1	
16	<a href="#">9007687</a>	Channel, Cabinet Base Left and Right Side (After 5 Nov 2000)Channel, Side Base	1	
17	9007686	Channel, Cabinet Base Front and Rear, MH252 (After 5 Nov 2000)Channel, Rear Base, BIH252	1	
17a	9009420	Channel, Cabinet Base Front and Rear, MH352 (After 5 Nov 2000)Channel, Rear Base, BIH352	1	
17b	<a href="#">9002390</a>	Channel, Cabinet Base Front and Rear, MH452 (After 5 Nov 2000)Channel, Rear Base, BIH452	1	
17c	9009555	Channel, Cabinet Base Front and Rear, MH552 (After 5 Nov 2000)Channel, Rear Base, BIH552	1	
18	9004787	Channel, Front Base, BIH352	1	
18a	<a href="#">9002389</a>	Channel, Front Base, BIH452	1	
18b	9009556	Channel, Front Base, BIH552	1	
19	<a href="#">8065209SP</a>	Leg Pad	1	
20	<a href="#">8090191</a>	Washer, Lock 0.25 Spring ZPWasher, 0.25-inch Lock	1	
21	<a href="#">8261389</a>	Screw - 0.25"-20 x 0.75" Hex Head ZPScrew, 0.25-20 x 0.75-inch Hex Head	10	
22	<a href="#">8100944</a>	Caster 3" with BrakeCaster with Brake, Front	1	
23	<a href="#">8100327</a>	Caster 4" without BrakeCaster, Rear	1	
24	9002452	Shield, BIH352	1	
24a	9002453	Shield, BIH452	1	
24b	9009601	Shield, BIH552	1	
25	<a href="#">8261374</a>	Screw - #10 x 0.5" Hex HeadScrew, #10 x 0.5-inch Hex Washer Head (cabinet screw)	25	

# MH52 and BIH52 Series Gas Fryers

## Cabinetry Components - BIH52 Cabinet Components (Batteries)

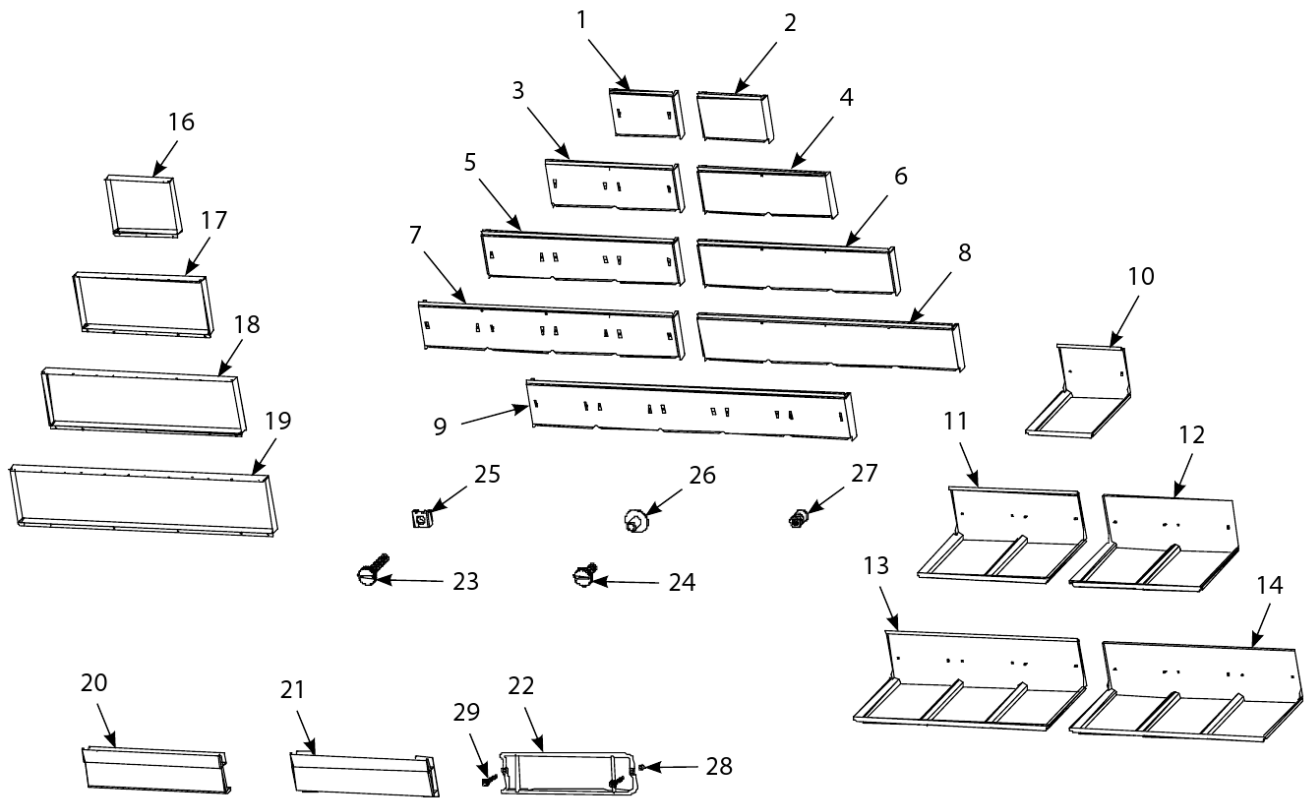
#	PART #	DESCRIPTION	QTY	Note
26	<a href="#">9004798</a>	Support, Long Cross	1	[1]
27	9002562	Support, Short Cross	1	[1]
28	9007033	Brace, Top Front, MH252	1	
28a	9009248	Brace, Top Front, MH352	1	
28b	9002393	Brace, Top Front, MH452	1	
28c	9009558	Brace, Top Front, MH552	1	
29	9007708	Brace, Top Rear (used only on units built after 05 Nov 2000), MH252	1	
29a	9007709	Brace, Top Rear (used only on units built after 05 Nov 2000), MH352	1	
29b	9002391	Brace, Top Rear (used only on units built after 05 Nov 2000), MH452	1	
29c	9009557	Brace, Top Rear (used only on units built after 05 Nov 2000), MH552	1	
30	<a href="#">9007710</a>	Brace, Back Support (After 5 Nov 2000)	1	
31	9007358	Divider, Cabinet (After 5 Nov 2000)	1	
32	9004797	Post, Short Door (All non-CE models)	1	
32a	9002437	Post, Short Door (All CE models)	1	
33	9004799	Post, Door (After 5 Nov 2000)	1	[2]
34	<a href="#">8090413</a>	Spacer, Door Post (0.25-inch ID x 4mm nylon washer)	1	[3]

### PART NOTES:

- [1] - on CE units
- [2] - BIH352, BIH452 and BIH552
- [3] - 0.25-inch ID x 4mm nylon washer

# MH52 and BIH52 Series Gas Fryers

Cabinetry Components - BIH52MH52 Cap-N-Splash Assemblies, Fluecaps, Standoffs and



## MH52 and BIH52 Series Gas Fryers

### Cabinetry Components - BIH52MH52 Cap-N-Splash Assemblies, Fluecaps, Standoffs and

#	PART #	DESCRIPTION	QTY	Note
1	9102414	Fluecap Assemblies, BIH152/MH152 (standard)	1	
2	9007921	Fluecap Assemblies, BIH152/MH152 (for units with Cap-N-Splash)	1	
3	8232544	Fluecap Assemblies, BIH252/MH252 (standard)	1	
4	9007926	Fluecap Assemblies, BIH252/MH252 (for units with Cap-N-Splash)	1	
5	8232545	Fluecap Assemblies, BIH352/MH352 (standard)	1	
6	9007927	Fluecap Assemblies, BIH352/MH352 (for units with Cap-N-Splash)	1	
7	8232546	Fluecap Assemblies, BIH452/MH452 (standard)	1	
8	9007928	Fluecap Assemblies, BIH452/MH452 (for units with Cap-N-Splash)	1	
9	8232887	Fluecap Assemblies, BIH552/MH552 (standard)	1	
9a	9002447	Flue Clip Support	1	
10	8232276	Cap-N-Splash Assemblies, BIH152/MH152	1	
10a	8233066	Cap-N-Splash Assemblies, BIH152/MH152 (New) (August 2001, serial higher than 0108 require top cap also)	1	
10b	8261223	Cap-N-Splash Assemblies, BIH152/MH152 Kit	1	
11	8232277	Cap-N-Splash Assemblies, BIH252/MH252	1	
11a	8233067	Cap-N-Splash Assemblies, BIH252/MH252 (New) (August 2001, serial higher than 0108 require top cap also)	1	
11b	8261218	Cap-N-Splash Assemblies, BIH252/MH252 Kit	1	
12	8232833	Cap-N-Splash Assemblies, JBIH252 (Japanese units)	1	
13	8232278	Cap-N-Splash Assemblies, BIH352/MH352	1	
13a	8233068	Cap-N-Splash Assemblies, BIH352/MH352 (New) (August 2001, serial higher than 0108 require top cap also)	1	
13b	8261217	Cap-N-Splash Assemblies, BIH352/MH352 Kit	1	
14	8232879	Cap-N-Splash Assemblies, JBIH352 (Japanese units)	1	
15	8232279	Cap-N-Splash Assemblies, BIH452	1	
15a	8233070	Cap-N-Splash Assemblies, BIH452 (New) (August 2001, serial higher than 0108 require top cap also)	1	
15b	8261216	Cap-N-Splash Assemblies, BIH452 Kit	1	
15c	8233069	Cap-N-Splash Assemblies, BIH552 (New) (August 2001, serial higher than 0108 require top cap also)	1	
16	9002406	Standoffs, BIH152/MH152	1	
17	9002407	Standoffs, BIH252/MH252	1	
18	9002408	Standoffs, BIH352/MH352	1	
19	9002409	Standoffs, BIH452/MH452	1	
19a	2006556	Standoffs, BIH552/MH552	1	
20	8230782	Basket Hangers and Mounting Hardware, Solid (old design)	1	
21	8231618	Basket Hangers and Mounting Hardware, Solid (new design) for drop in probes	1	
22	8102793	Hanger - Wireform BasketBasket Hangers and Mounting Hardware, Wire Form (with .330-inch mounting holes)	1	
23	8090171	Thumbscrew, 0.25-20 x 1.375-inch Basket Hangers and Mounting Hardware, Thumbscrew, 0.25-20 x 1.375-inch	1	
24	8090402	Thumbscrew - 0.25"-20 x 0.5"	1	
25	8261351	Nut Retainer, 0.25-20 Std. FluecapBasket Hangers and Mounting Hardware, Nutsert, 0.25-20 Square (for use on standard fluecap)	10	[1]

## MH52 and BIH52 Series Gas Fryers

### Cabinetry Components - BIH52MH52 Cap-N-Splash Assemblies, Fluecaps, Standoffs and

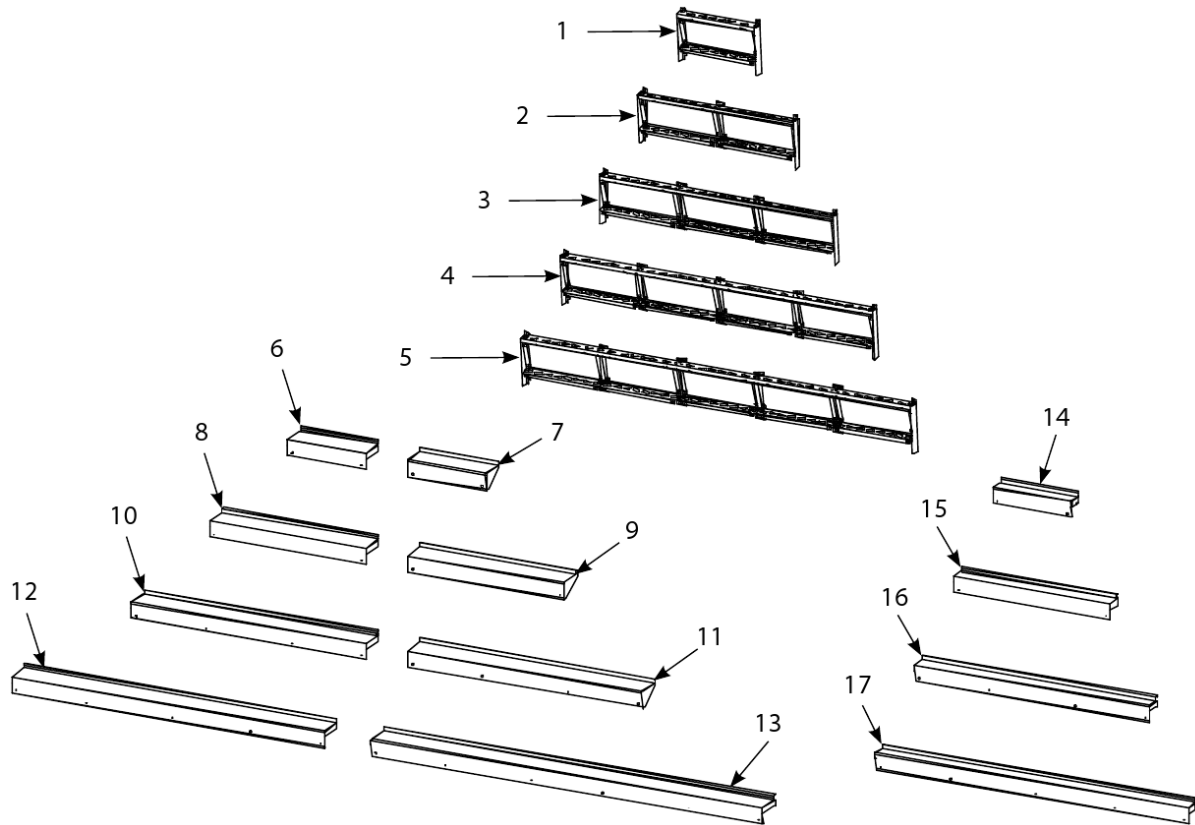
#	PART #	DESCRIPTION	QTY	Note
26	<a href="#">8090535</a>	Nut, "T" 0.25-inch-20 x 0.4375 SSBasket Hangers and Mounting Hardware, T-Nut, 0.25-20 x 0.4375-inch (for use on Cap-N-splash assembly)	1	
27	<a href="#">8090079</a>	Nutsert, 0.25" - 20Basket Hangers and Mounting Hardware, Nutsert, 0.25-20 Round (for use on earlyproduction Cap-N-Splash)	1	
28	<a href="#">8090921-FRY</a>	Spacer, Basket HangerBasket Hangers and Mounting Hardware, Spacer, Basket Hanger	1	
29	<a href="#">8090989</a>	Basket Hangers and Mounting Hardware, Thumbscrew, 0.25- 20 x 1-inch	1	

**PART NOTES:**

[1] - for use on standard fluecap

# MH52 and BIH52 Series Gas Fryers

## Cabinetry Components - BIH52-MH52 Control Panel Frames and Topcaps



# MH52 and BIH52 Series Gas Fryers

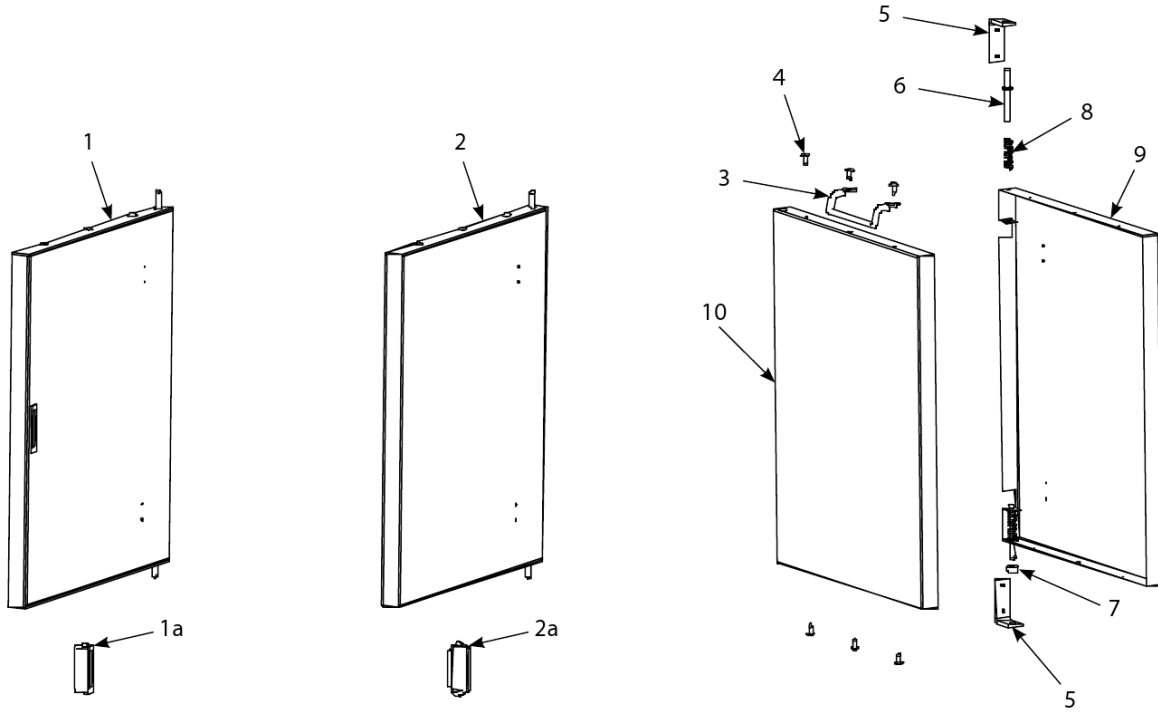
## Cabinetry Components - BIH52-MH52 Control Panel Frames and Topcaps

#	PART #	DESCRIPTION	QTY	Note
1	<a href="#">8066137SP</a>	BIH152/MH152 Control Panel Frame Assembly	1	
2	<a href="#">8064819SP</a>	BIH252/MH252 Control Panel Frame Assembly	1	
3	<a href="#">8064820SP</a>	BIH352/MH352 Control Panel Frame Assembly	1	
4	8065963SP	BIH452/MH452 Control Panel Frame Assembly	1	
5	8069750	BIH552/MH552 Control Panel Frame Assembly	1	
6	8240641	MH152 TopcapBIH152 Topcap w/out hole in front.	1	
6a	8230873	BIH152 Topcap (New) w/out hole in front.	1	
7	8232657	JBIH152 Topcap (Japanese units)	1	
8	8240544	MH252 TopcapBIH252 Topcap w/out hole in front.	1	
8a	<a href="#">8232822</a>	Rail, Dual Vat Left Burner Side W/A	1	
9	8232652	JBIH252 Topcap (Japanese units)	1	
10	<a href="#">8240543</a>	MH352 TopcapBIH352 Topcap w/out hole in front.	1	
10a	<a href="#">8232823</a>	Rail, Dual Vat Right Burner Side W/A	1	
11	8232651	JBIH352 Topcap (Japanese units)	1	
12	8240545	MH452 Topcap	1	
12a	8230876	BIH452 Topcap (New) w/out hole in front.	1	
13	8240775	BIH552 Topcap w/out hole in front.	1	
13a	8230877	BIH552 Topcap (New) w/out hole in front.	1	
14	8240641	MH152 Topcap	1	
15	8240544	MH252 Topcap	1	
16	<a href="#">8240543</a>	MH352 Topcap	1	
17	8240545	MH452 Topcap	1	

NOTE: August 2001, serial higher than 0108 require top cap also.

# MH52 and BIH52 Series Gas Fryers

## Cabinetry Components - BIH52-MH52 Door Components



# MH52 and BIH52 Series Gas Fryers

## Cabinetry Components - BIH52-MH52 Door Components

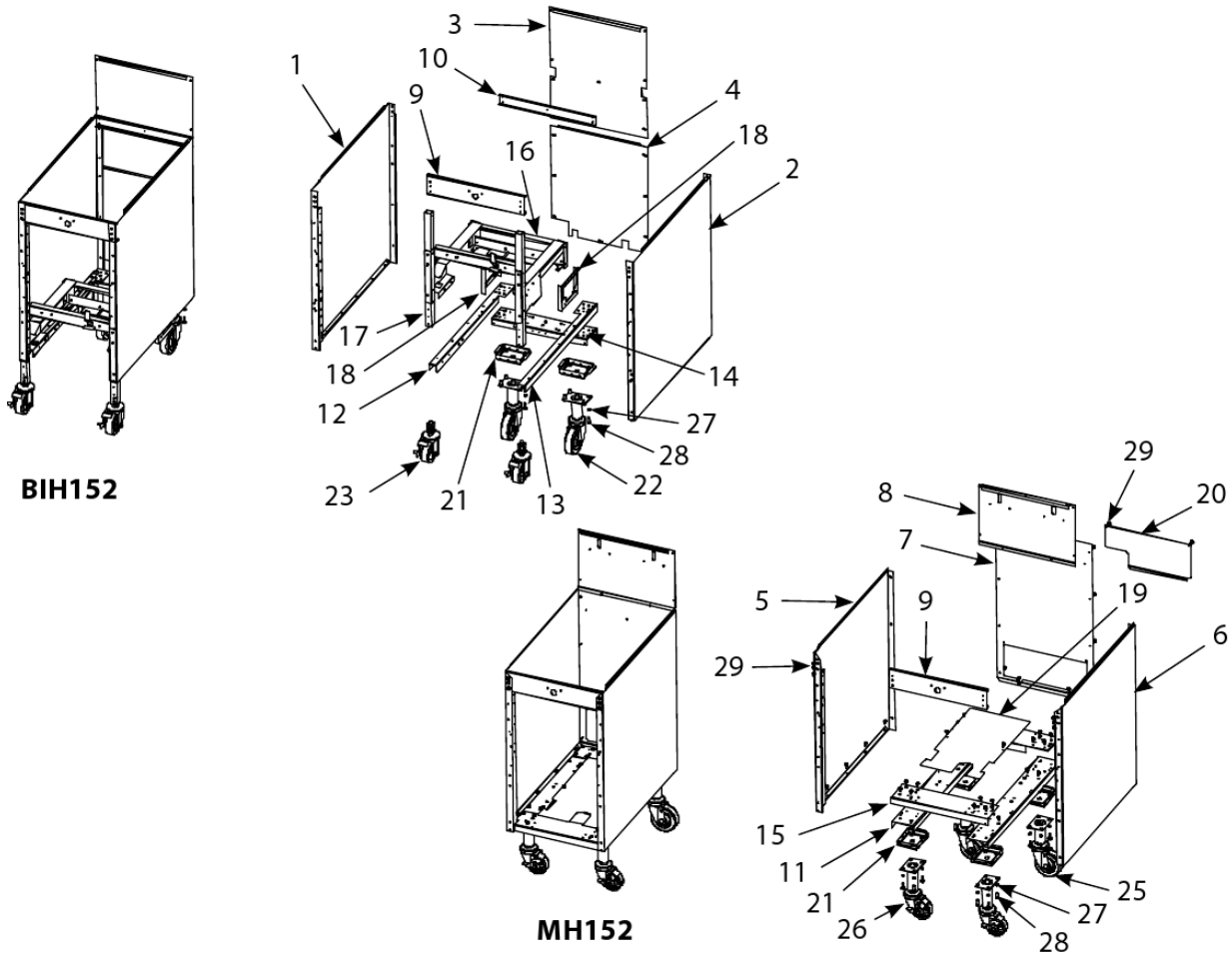
#	PART #	DESCRIPTION	QTY	Note
1	8063057SP	Door Assembly with Magnet, BIH52/MH52 Complete	1	[1]
1a	8100066	Magnet	1	[2]
2	1064397	Door - Left/Right	1	[1]
2a	8101105	Door Magnet - VerticalMagnet	1	[3]
3	8101422	Handle, Wireform Door	1	
4	8261379	Screw, #10 X 0.5-inch Phillips Truss Head	10	
5	8101508	Hinge, Universal Door	1	
5a	8261371	Screw - #8 x 0.5" Hex Head ZP	25	[4]
6	1064067SP	Door Pin Assembly	1	
7	8090193	Flat Washer - 0.25" Nylon	1	
8	8261343	Spring - Door Pin Hinge	10	
9	9002485	Liner, Door, BIH52/MH52 Universal Door	1	[5]
9a	9303667	Liner, Door, BIH52/MH52 Door	1	[6]
10	8240137	Panel, BIH52/MH52 Door	1	

### PART NOTES:

- [1] - handle, hinges & washers not included
- [2] - door-mounted, used with Item 1
- [3] - door post-mounted, used with Item 2
- [4] - for attaching Item 5 to cabinet
- [5] - no cutout for magnet
- [6] - with cutout for magnet

# MH52 and BIH52 Series Gas Fryers

## Cabinetry Components - BIH152 and MH152 Cabinet Components



# MH52 and BIH52 Series Gas Fryers

## Cabinetry Components - BIH152 and MH152 Cabinet Components

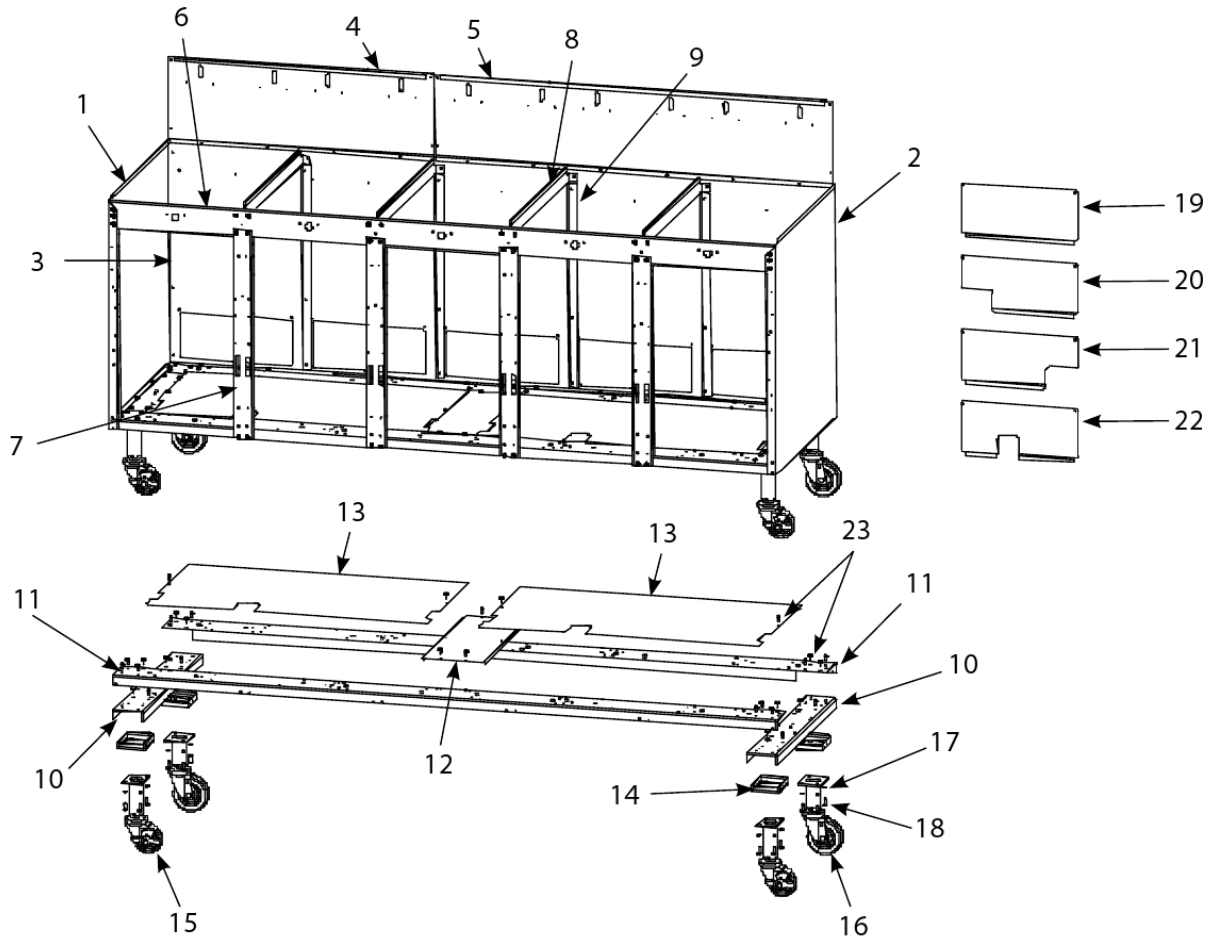
#	PART #	DESCRIPTION	QTY	Note
1	9117688SP	Side, Left Cabinet (After 5 Nov 2000)	1	
2	9127688SP	Side, Right Cabinet (After 5 Nov 2000)	1	
3	9005521	Back, MH152 Upper (After 5 Nov 2000)	1	
4	9005670	Back, MH152 Lower (After 5 Nov 2000)	1	
5	9117036SP	Side, Left Cabinet (Before 6 Nov 2000)	1	
5a	9117688SP	Side, Left Cabinet (After 5 Nov 2000)	1	
6	9127036SP	Side, Right Cabinet (Before 6 Nov 2000)	1	
6a	9127688SP	Side, Right Cabinet (After 5 Nov 2000)	1	
7	9002654	Back, MH152 Lower (Before 6 Nov 2000)	1	
7a	9005670	Back, MH152 Lower (After 5 Nov 2000)	1	
8	9002410	Back, MH152 Upper (Before 6 Nov 2000)	1	
8a	9005521	Back, MH152 Upper (After 5 Nov 2000)	1	
9	9004180	Brace, BIH152/MH152 Top	1	
10	9005519	Brace, BIH152 Rear	1	[1]
11	9007035	Channel, Cabinet Base Left and Right Side (Before 6 Nov 2000)	1	
11a	<a href="#">9007687</a>	Channel, Cabinet Base Left and Right Side (After 5 Nov 2000)	1	
12	9015526	Channel, BIH152 Base Left Side	1	
13	9025526	Channel, BIH152 Base Right Side	1	
14	9004389	Channel, BIH152 Base Rear	1	
15	9004179	Channel, MH152 Cabinet Base Front and Rear	1	
16	8068421	Rail Assembly, BIH152	1	
17	9105656	Leg, BIH152 Front	1	
18	8232579	Bracket, BIH152 Filter Motor Mount	1	
19	9002541	Shield, MH152 Base (Before 6 Nov 2000)	1	
19a	2000075	Shield, MH152 Base (After 5 Nov 2000)	1	[2]
20	9002649	Cover, MH52 Rear Access (notch on right corner when viewed from rear)	1	
21	<a href="#">8065209</a>	Leg Pad Assembly	1	
22	<a href="#">8122227</a>	Rear Caster, without brake	1	
23	<a href="#">8232844</a>	Caster, BIH152 Front	1	
23a	8232582	Caster, BIH152 Front (on units built prior to Nov 2000)	1	
24	<a href="#">8101414</a>	Insert, BIH152 Square Leg	1	
25	<a href="#">8100327</a>	Caster 4" without Brake	1	[3]
26	<a href="#">8100326</a>	Caster, Adjustable Front (Before 6 Nov 2000)	1	[4]
26a	<a href="#">8100944</a>	Caster 3" with Brake	1	[4]
27	<a href="#">8090191</a>	Washer, Lock 0.25 Spring ZP	1	
28	<a href="#">8261389</a>	Screw - 0.25"-20 x 0.75" Hex Head ZP	10	
29	<a href="#">8261374</a>	Screw - #10 x 0.5" Hex Head	25	[5]

### PART NOTES:

- [1] - and MH152 after 5 Nov 2000
- [2] - After 5 Nov 2000
- [3] - without brake
- [4] - with brake
- [5] - cabinet screw

# MH52 and BIH52 Series Gas Fryers

## Cabinetry Components - MH52 Cabinet Components (Batteries)



# MH52 and BIH52 Series Gas Fryers

## Cabinetry Components - MH52 Cabinet Components (Batteries)

#	PART #	DESCRIPTION	QTY	Note
1	9117036SP	Side, Left Cabinet (Before 6 Nov 2000)	1	
1a	9117688SP	Side, Left Cabinet (After 5 Nov 2000)	1	
2	9127036SP	Side, Right Cabinet (Before 6 Nov 2000)	1	
2a	9127688SP	Side, Right Cabinet (After 5 Nov 2000)	1	
3	9002652	Back, Lower Cabinet (Before 6 Nov 2000, MH252)	1	
3a	9002651	Back, Lower Cabinet (Before 6 Nov 2000, MH352)	1	
3b	9004915	Back, Lower Cabinet (Before 6 Nov 2000, MH452)	1	
3c	9009600	Back, Lower Cabinet (Before 6 Nov 2000, MH552)	1	
3d	9007712	Back, Lower Cabinet (After 5 Nov 2000, MH252, MH452, and MH552) (18-inches x 31-inches)	1	
3e	9009425	Back, Lower Cabinet (After 5 Nov 2000, MH352 and MH552) (18-inches x 46.5-inches)	1	
4	9002411	Back, Upper Cabinet (MH252 and MH552, Before 6 Nov 2000) (10.2-inches x 31.1-inches)	1	
4a	<a href="#">9007714</a>	Back, Upper Cabinet (MH452, After 5 Nov 2000) (18.72-inches x 31.24-inches)	1	
5	9002412	Back, Upper Cabinet (MH352 and MH552, Before 6 Nov 2000) (10.2-inches x 46.6-inches)	1	
5a	<a href="#">9009424</a>	Back, Upper Cabinet (MH352 and MH552, After 5 Nov 2000) (18.72-inches x 46.88-inches)	1	
5b	9002413	Back, Upper Cabinet (MH452, Before 6 Nov 2000) (9.66-inches x 62.36-inches)	1	
5c	<a href="#">9007714</a>	Back, Upper Cabinet (MH452, After 5 Nov 2000) (18.72-inches x 31.24-inches)	1	
6	9007033	Brace, Top Front, MH252	1	
6a	9009248	Brace, Top Front, MH352	1	
6b	9002393	Brace, Top Front, MH452	1	
6c	9009558	Brace, Top Front, MH552	1	
6d	9007708	Brace, Top Rear (used only on units built after 05 Nov 2000), MH252	1	
6e	9007709	Brace, Top Rear (used only on units built after 05 Nov 2000), MH352	1	
6f	9002391	Brace, Top Rear (used only on units built after 05 Nov 2000), MH452	1	
6g	9009557	Brace, Top Rear (used only on units built after 05 Nov 2000), MH552	1	
7	9007032	Post, Door (Before 6 Nov 2000)	1	
7a	9004799	Post, Door (After 5 Nov 2000)	1	
7b	<a href="#">8090413</a>	Spacer, Door Post (0.25-inch ID x 4mm nylon washer)	1	[1]
8	9007356	Divider, Cabinet (Before 6 Nov 2000)	1	
8a	9007358	Divider, Cabinet (After 5 Nov 2000)	1	
9	9007053	Brace, Back Support (Before 6 Nov 2000)	1	
9a	<a href="#">9007710</a>	Brace, Back Support (After 5 Nov 2000)	1	
10	9007035	Channel, Cabinet Base Left and Right Side (Before 6 Nov 2000)	1	
10a	<a href="#">9007687</a>	Channel, Cabinet Base Left and Right Side (After 5 Nov 2000)	1	
11	9007034	Channel, Cabinet Base Front and Rear, MH252 (Before 6 Nov 2000)	1	
11a	9007686	Channel, Cabinet Base Front and Rear, MH252 (After 5 Nov 2000)	1	

# MH52 and BIH52 Series Gas Fryers

## Cabinetry Components - MH52 Cabinet Components (Batteries)

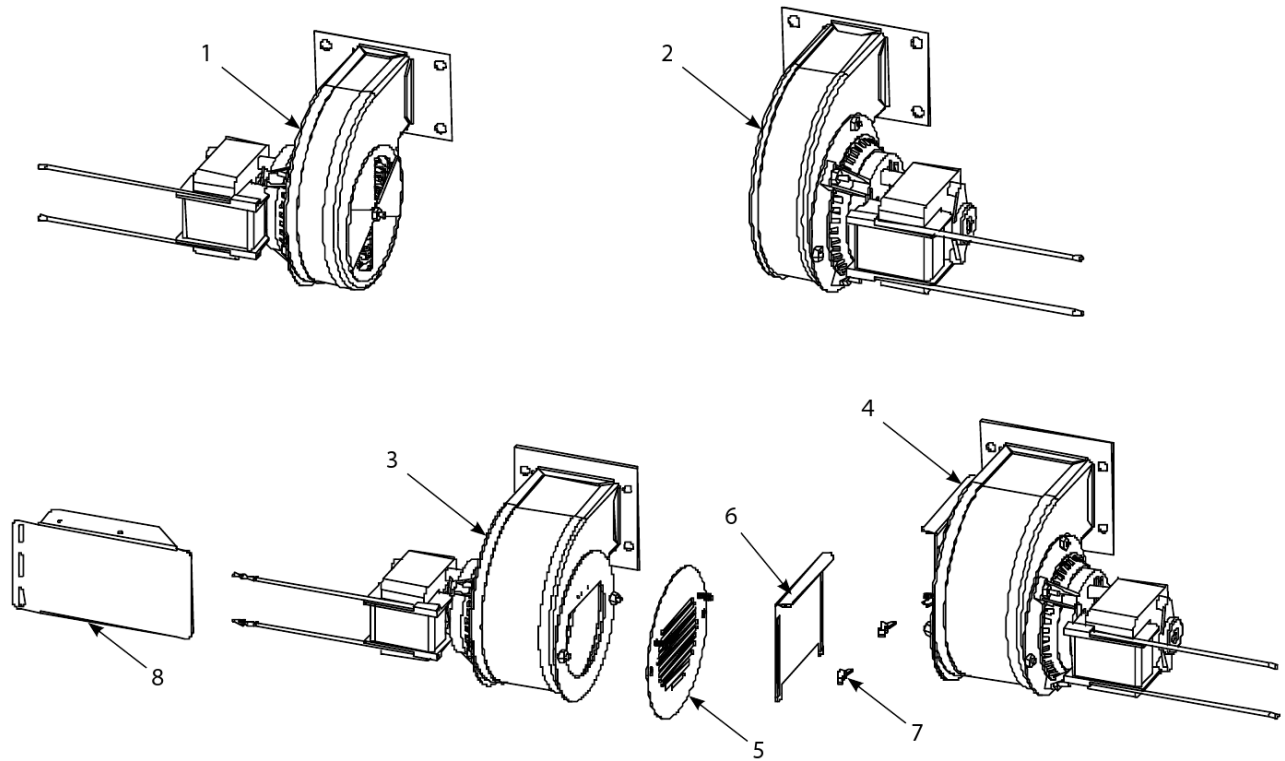
#	PART #	DESCRIPTION	QTY	Note
11b	9009249	Channel, Cabinet Base Front and Rear, MH352 (Before 6 Nov 2000)	1	
11c	9009420	Channel, Cabinet Base Front and Rear, MH352 (After 5 Nov 2000)	1	
11d	9004906	Channel, Cabinet Base Front and Rear, MH452 (Before 6 Nov 2000)	1	
11e	<a href="#">9002390</a>	Channel, Cabinet Base Front and Rear, MH452 (After 5 Nov 2000)	1	
11f	9009611	Channel, Cabinet Base Front and Rear, MH552 (Before 6 Nov 2000)	1	
11g	9009555	Channel, Cabinet Base Front and Rear, MH552 (After 5 Nov 2000)	1	
12	9004907	Support, Center Base (MH452, MH552) (Before 6 Nov 2000)	1	
12a	2000769	Support, Center Base (MH452, MH552) (After 5 Nov 2000)	1	
13	9002527	Shield, Cabinet Base, MH252, MH452 (Before 6 Nov 2000) (18-inches x 25.2-inches) (MH452 uses 2)	1	
13a	2000772	Shield, Cabinet Base, MH252, MH452 (After 5 Nov 2000) (17.75-inches x 25.06-inches) (MH452 uses 2)	1	
13b	9002528	Shield, Cabinet Base, MH352 (Before 6 Nov 2000) (18-inches x 17.5-inches) plus 9002527	1	
13c	2000771	Shield, Cabinet Base, MH352 (After 5 Nov 2000) (17.75-inches x 40.7-inches)	1	
13d	9009623	Shield, Cabinet Base, MH552 (Before 6 Nov 2000) (18-inches x 33-inches)	1	
14	<a href="#">8065209</a>	Leg Pad Assembly	1	
15	<a href="#">8100944</a>	Caster 3" with Brake	1	
16	<a href="#">8100327</a>	Caster 4" without Brake	1	
17	<a href="#">8090191</a>	Washer, Lock 0.25 Spring ZP	1	
18	<a href="#">8261389</a>	Screw - 0.25"-20 x 0.75" Hex Head ZP	10	
19	9002648	Cover, MH52 Rear Access (no notch)	1	
20	9002649	Cover, MH52 Rear Access (notch on right corner when viewed from rear)	1	
21	9002650	Cover, MH52 Rear Access (notch on left corner when viewed from rear)	1	
22	<a href="#">9005482</a>	Cover, MH52 Rear Access (notch in center)	1	
23	<a href="#">8261374</a>	Screw - #10 x 0.5" Hex Head	25	

**PART NOTES:**

[1] - 0.25-inch ID x 4mm nylon washer

# MH52 and BIH52 Series Gas Fryers

## Combustion System, Frypot and Gas System Components - Blowers and Associated



## MH52 and BIH52 Series Gas Fryers

### Combustion System, Frypot and Gas System Components - Blowers and Associated

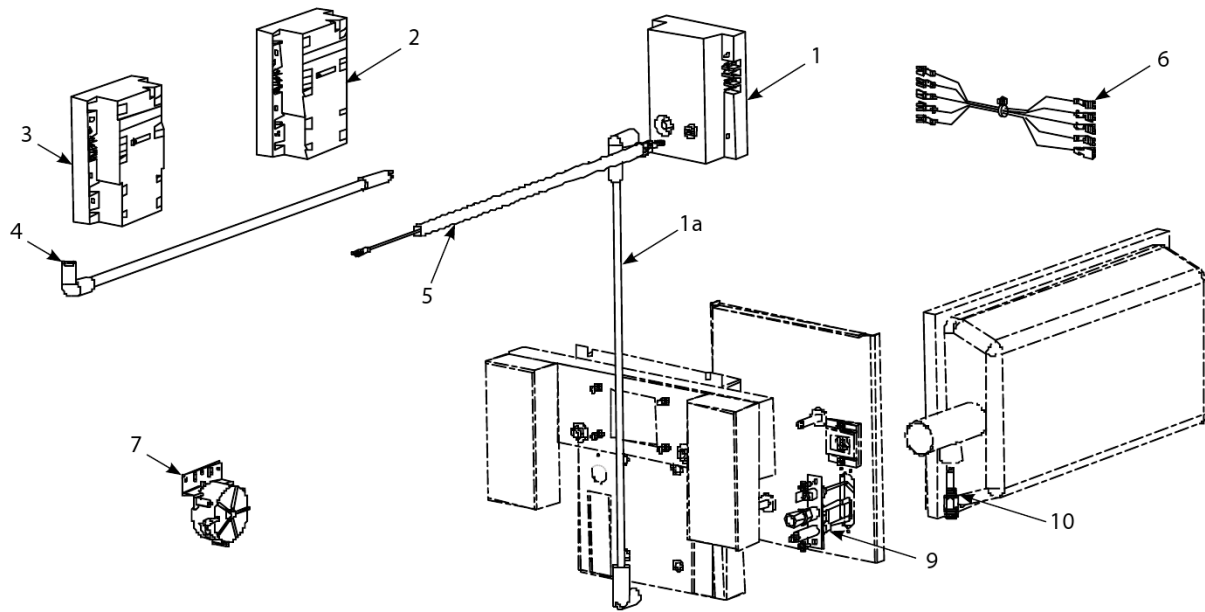
#	PART #	DESCRIPTION	QTY	Note
1	<a href="#">1062996SP</a>	Blower, Left (with 1.54-inch (3.91 cm) narrow housing), 100V, 50/60 Hz	1	
1a	<a href="#">1062994SP</a>	Blower, Left (with 1.54-inch (3.91 cm) narrow housing), 115V, 50/60 Hz	1	
1b	8065841SP	Blower, Left (with 1.54-inch (3.91 cm) narrow housing), 230V, 50 Hz	1	
1c	<a href="#">1062995SP</a>	Blower, Left (with 1.54-inch (3.91 cm) narrow housing), 240V, 50/60 Hz	1	
2	<a href="#">1062999SP</a>	Blower Assembly, Combustion Air 100V 50/60 Hz	1	
2a	<a href="#">1062997SP</a>	Blower Assembly, Combustion Air , 115V 50/60 Hz	1	
2b	<a href="#">1062998SP</a>	Blower Assembly, Combustion Air 208-240V 50/60 Hz Non-CE International	1	
3	<a href="#">1063000SP</a>	Blower Assembly, Left 230V, 50/60 Hz (with 2.8-inch (7.11 cm) wide housing) CE and Non-CE	1	
4	<a href="#">1063001SP</a>	Blower Assembly, Combustion Air 230V 50/60 Hz CEBlower Assembly, Right 230V, 50/60 Hz	1	[1]
5	<a href="#">8069689</a>	Finger Guard/Air Flow Inhibitor Adapter	1	[2]
6	<a href="#">9008699</a>	Air Flow Inhibitor	1	[2]
7	<a href="#">8261382</a>	WingnutWingnut, 8-32	10	
8	8261426	Shield - Blower Motor	1	
9	<a href="#">KIT0155SP</a>	High Altitude Blower Kit	1	[3]

**PART NOTES:**

- [1] - CE; with 2.8-inch (7.11 cm) wide housing
- [2] - CE
- [3] - required above 5000 Ft, 1525 M

# MH52 and BIH52 Series Gas Fryers

## Combustion System, Frypot and Gas System Components - Ignition Sub-System Components



# MH52 and BIH52 Series Gas Fryers

## Combustion System, Frypot and Gas System Components - Ignition Sub-System Components

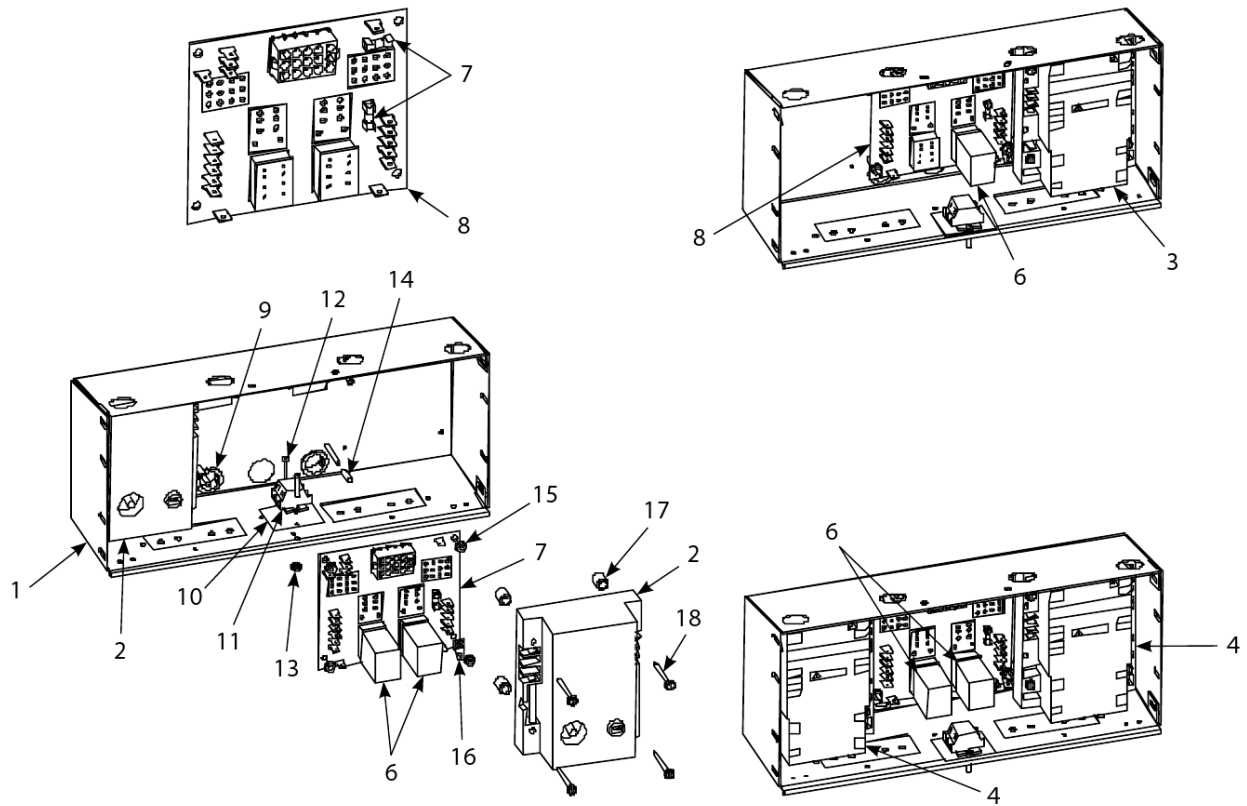
#	PART #	DESCRIPTION	QTY	Note
1	8263271	Ignition ModuleIgnition Module, Full and Dual Vat (original design, with fuse)	1	
1a	8075009	Ignition Cable - 19" L	1	
1b	8071200	Ignition Cable - 27" L	1	
2	8073366	Ignition Module, Dual-Spark Full-Vat Ignition Module, Full Vat	1	[1]
2a	8261346	Spacer, Ignition ModuleSpacer	10	
3	8073365	Ignition Module, Single-Spark Dual-VatIgnition Module, Dual Vat	1	[1]
4	8261721	Ignition Cable w/ Rajah	1	
4a	8075008	Ignition Cable - 21"	1	
4b	8073484	Connector, RajahIgnition Cable w/ Rajah (with 90° connector), Connector, Rajah (non fused ignition modules)	1	[2]
5	8066085SP	Wire Assembly, IgnitorWiring Assembly, Ignitor	1	
6	8066084SP	Wiring Assembly, Ignition Module	1	
7	8072263	Switch, Air Pressure	1	
7a	8072262	Switch, Air Pressure (in units with 100VAC power supply)	1	
8	KIT1428SP	Air Switch Kit - CE Export H52	1	
9	8260981	Ignitor and Gasket Kit - Natural Gas	1	
9a	8260982	Ignitor and Gasket Kit - LP	1	
9b	8261002	Ignitor and Gasket Kit - Manufactured Gas	1	
9c	8160059	Gasket, IgnitorGasket	1	
10	8101221	Orifice, 2.00 mm Propane/Butane (0-4999 Ft, 0-1524 M) (Japan)	1	
10a	8101325	Orifice, 2.05 mm Propane/Butane (G30, G31) (0-4999 Ft, 0-1524 M)	1	
10b	8100386	Orifice, 2.10 mm Propane/Butane (0-4999 Ft, 0-1524 M) Standard LP	1	
10c	8100413	Orifice, 2.16 mm Propane/Butane (G30, G31) (5000-6999 Ft, 1525-2133 M)	1	
10d	8121028	Orifice, 2.20 mm Propane/Butane (G30, G31) (7000-10,999 Ft, 2134-3352 M)	1	
10e	8121134	Orifice, 3.10 mm Natural Gas (G20, G25) (0-4999 Ft, 0-1524 M) (Japan)	1	
10f	8100403	Orifice, 3.40 mm Natural Gas (G20, G25) (0-4999 Ft, 0-1524 M)Standard Natural Gas	1	
10g	8100437	Orifice, 3.60 mm Natural Gas (G20, G25) (5000-6999 Ft, 1525-2133 M)	1	
10h	8121144	Orifice, 3.65 mm Natural Gas (G20, G25) (7000-8999 Ft, 2134-2743 M)	1	
10i	8121145	Orifice, 3.70 mm Natural Gas (G20, G25) (9000-10,999 Ft, 2744-3352 M)	1	
10j	8100642	Orifice, 5.95 mm Manufactured Gas (0-4999 Ft, 0-1524 M)	1	
11	8261196	Conversion Kit, Natural Gas (G20, G25) to Propane/Butane (G30, G31) CE	1	
11a	8261197	Conversion Kit, Propane/Butane (G30, G31) to Natural Gas (G20, G25) CE	1	

### PART NOTES:

- [1] - new design, without fuse
- [2] - non fused ignition modules

# MH52 and BIH52 Series Gas Fryers

## Electronics - Component Boxes



# MH52 and BIH52 Series Gas Fryers

## Electronics - Component Boxes

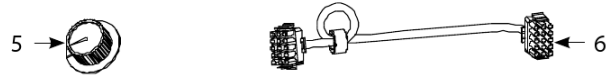
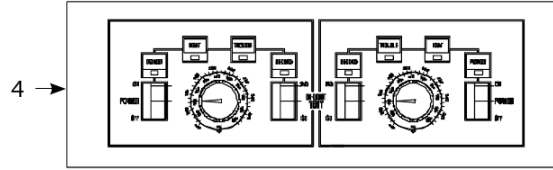
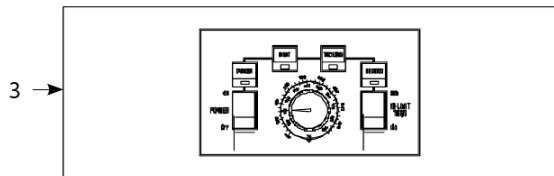
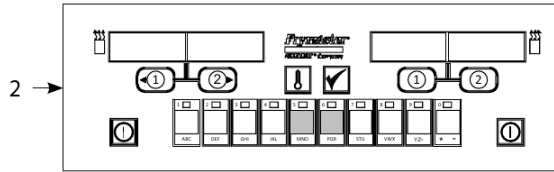
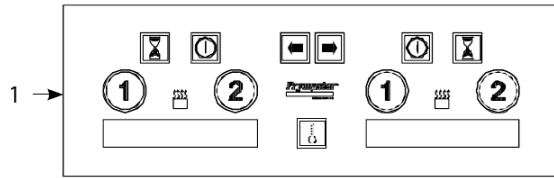
#	PART #	DESCRIPTION	QTY	Note
1	2005996	Box Assembly, One-Piece Component	1	
2	8263271	Ignition Module	1	
3	8073366	Ignition Module, Dual-Spark Full-Vat Ignition Module, Full Vat	1	[1]
4	8073365	Ignition Module, Single-Spark Dual-Vat Ignition Module, Dual Vat	1	[1]
5	1060531SP	Fuse Assembly, Inline Inline fuse	1	
6	8070833	Relay, DPDT 5A 12VDC Latch Relay, 12V 5Amp Latch	1	
7	8073843	Fuse 3A 250V Domestic Fuse, 3A 250V Subminiature	1	
8	8262264	Interface Board Kit SMT	1	
8a	8064973	Interface Board, Australia Interface Board (used with 240V manufactured gas units only)	1	
9	8071926	Bushing, .875-inch Split Bushing, .875 Diameter Split	1	
10	8160217	Insulation, Terminal Block Paper Paper, Insulating	1	[2]
11	8101164	Block, One-Piece Screwless Terminal Block, Terminal	1	[3]
12	8261359	Screw - #4-40 x 0.75" Slotted Round Head Screw, 4-40 x 0.75-inch Slotted Round Head	25	[3]
13	8261366	Nut - #4-40 Keps Hex Nut, 4-40 Keps Hex	25	[3]
14	8071241	Spacer, Interface Board	1	[4]
15	8090250	Nut, 6-32 Keps Hex	1	
16	8261337	Tab, 0.25-inch Terminal Tab, Push-On Terminal	5	
17	8261346	Spacer, Ignition Module Spacer, Ignition Module	10	[5]
18	8090441	Screw, 8 x 1.5-inch Hex Washer Head Screw, #7 x 1.5-inch Slotted Washer Hex Head	1	
19	8102243	Spring, Relay Retaining Spring, Relay Clip Hold Down	1	
20	8063660	Sound Device, High Output for M100B Sound Device, High Output	1	
20a	8262458	Speaker - 4 Watts	1	[6]
21	8071359	Mount, Ty-Wrap Mount, Tie-Wrap	1	[7]

### PART NOTES:

- [1] - unfused – use inline fuse
- [2] - Items 10, 11, 12, 13 not used on BIH152 or Hong Kong units
- [3] - See Item 10
- [4] - .151-inch ID x 0.625-inch
- [5] - .260-inch ID x 0.5-inch
- [6] - Use with M2000 Computers
- [7] - used on CE units only

# MH52 and BIH52 Series Gas Fryers

## Electronics - Computers, Controllers and Associated Components



# MH52 and BIH52 Series Gas Fryers

## Electronics - Computers, Controllers and Associated Components

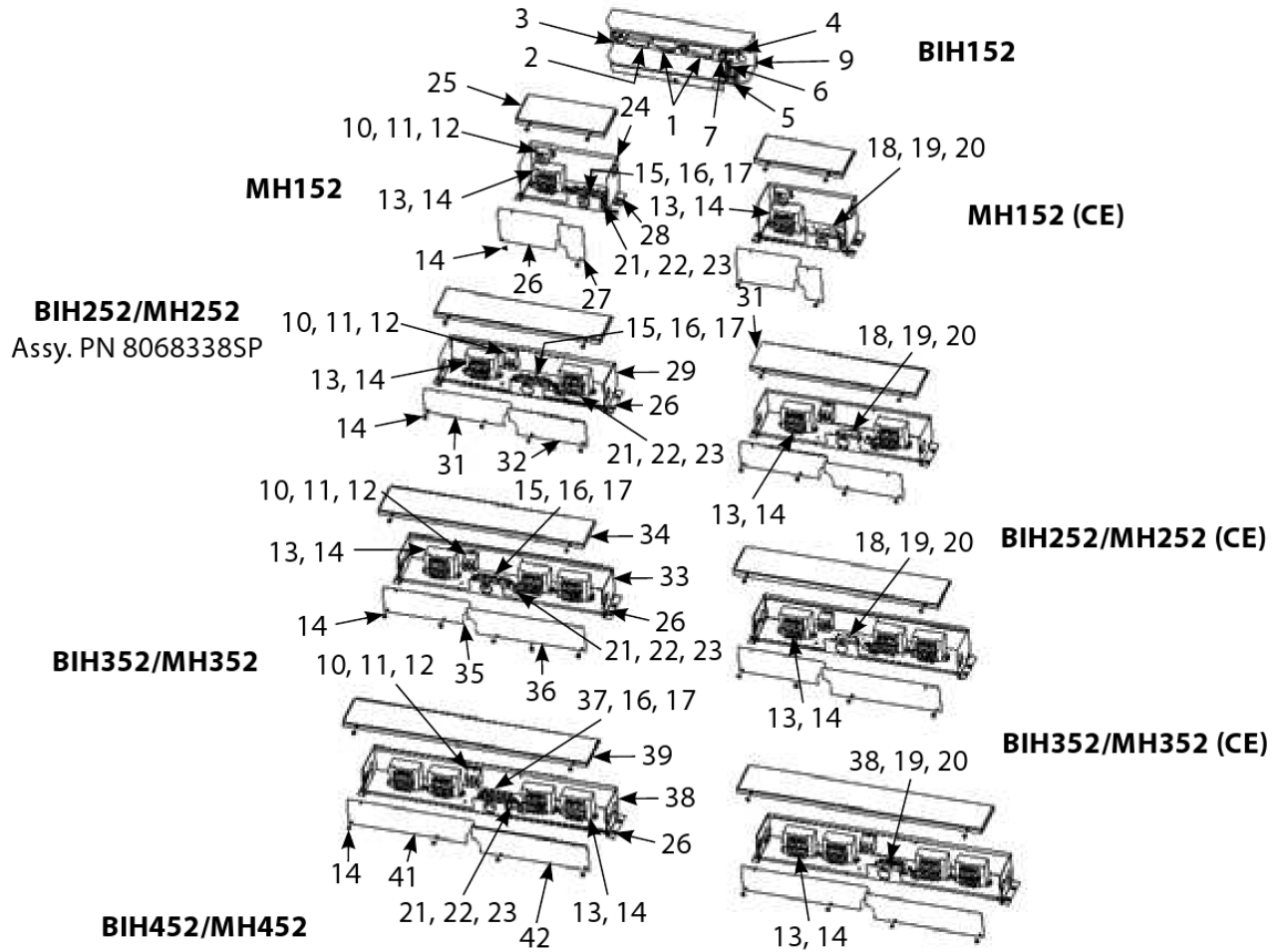
#	PART #	DESCRIPTION	QTY	Note
1	8261739	Retrofit Kit, Solid-State Controller to M100B Computer Computer M2000 Upgrade kit 6 second melt cycle	1	[1]
1a	8068041E	Computer M2000 Upgrade kit 8 second melt cycle	1	[1]
1b	8068040	Computer M2000 Upgrade kit French	1	[1]
1c	8262347	Computer - CE Export - Replacement Upgrade Kit	1	
2	1060529B	Computer, McDonald's M2000 Gas Fryer, U.S. and Canada FV / Non-CE Export	1	
2a	1062436B	Computer, McDonald's M2000 Gas Fryer, CE Export FV	1	
3	8063007	Controller, McDonald's Full Vat Gas Fryer Solid-State, With 6-second Melt Cycle	1	
3a	8063571	Controller, McDonald's Full Vat Gas Fryer Solid-State, With 8-second Melt Cycle	1	
4	8063009	Controller, McDonald's Dual Vat Gas Fryer Solid-State, With 6-second Melt Cycle	1	
4a	8063572	Controller, McDonald's Dual Vat Gas Fryer Solid-State, With 8-second Melt Cycle	1	
5	8100387	Knob Knob, Replacement Control	1	
6	8062071	Cable, Computer/Controller to Interface Board	1	[2]
7	8261177	Thermostat, High-Limit 425°F/218°C Thermostat, High-Limit Kit	1	
8	8064206	Probe Assembly, Temperature	1	
9	8261739	Retrofit Kit, Solid-State Controller to M100B Computer	1	
10	8261675	M2000 Speaker retrofit kit	1	
11	8063660	Sound Device, High Output for M100B	1	[1]
12	8262458	Speaker - 4 Watts	1	
13	8261032SP	Screw and Retainer Kit for computer	1	

### PART NOTES:

- [1] - replaces M100B
- [2] - for use on Solid-State Controllers

# MH52 and BIH52 Series Gas Fryers

## Electronics - Transformer Box Components



# MH52 and BIH52 Series Gas Fryers

## Electronics - Transformer Box Components

#	PART #	DESCRIPTION	QTY	Note
1	8074978	Transformer - Dual Voltage 100-120V/12V 30VA /24V 50VA	1	
1a	8070800	Transformer, 100-120V/24V 50VA Filter and MIBTransformer (for use in BIH152 units), 120/24VAC 50/60 Hz	1	
2	8070855	Transformer - 120V/50-60 Hz - 12V 20VATransformer, 120/12VAC 50/60 Hz	1	[1]
3	8070012	Filter Relay - 18A 24VACRelay, 18 Amp 24VDC Coil	1	
4	8070273	Block, 16-Pin Terminal	1	
5	8071612	Clamp, 0.375-inch Strain Relief	1	
6	8070255	Jumper, Double	1	
7	8100045	Bushing, .875 Dia. Hole 0.6875" Bushing, .875-inch Diameter	1	
8	8090362	Screw, 8 x 1.25-inch Hex Washer Head Drill PointScrew, 8-32 x 1-inch Hex Slotted Washer Head	1	[2]
9	9005560	Shield, BIH152 Transformer	1	
10	8071683	Relay, 12VDC Secondary Blower Fan to cool frypotRelay, 15 AMP 12VDC Coil	1	
11	8261363	Screw - #8-32 x 0.5" NPScrew, 8-32 x 0.5-inch Slotted Truss Head	25	
12	8090050	Nut, 8-32 Hex	1	
13	8074978	Transformer - Dual Voltage 100-120V/12V 30VA /24V 50VA	1	
13a	8075129	Transformer - Dual Voltage 208-240V	1	
14	8090360	Screw, 8 x 0.375-inch Hex Washer Slot HeadScrew, 8-32 x 0.375-inch Slotted Hex Washer Head	1	
15	8071973	Terminal, PostBlock, 4-Post Threaded Terminal	1	[3]
16	8261389	Screw - 0.25"-20 x 0.75" Hex Head ZPScrew, 0.25-20 x 0.75-inch Hex Head	10	
17	8261362	Nut - 0.25"-20 Hex	10	
17a	8090052	Nut, 10-24 HexNut, 10-24 Hex	1	[4]
18	8101163	Block, 3-Position Push-In Terminal	1	[5]
19	8261359	Screw - #4-40 x 0.75" Slotted Round Head	25	
20	8261366	Nut - #4-40 Keps Hex	10	
21	8070070	Terminal, Ground LugTerminal, Lug	1	
22	8261363	Screw - #8-32 x 0.5" NPScrew, 8-32 x 0.5-inch Slotted Truss Head	25	
23	8090247	Nut - #8-32 Keps Hex	1	
24	9002697	Box, MH152 Transformer	1	
25	9002708	Cover, MH152 Transformer Box Top	1	
26	9002703-FRY	Cover, MH152 Transformer Box Left	1	
27	9002709	Cover, MH152 Transformer Box Right	1	
28	8261374	Screw - #10 x 0.5" Hex HeadScrew, #10 x 0.5-inch Self-Tapping Slotted Hex Washer Head	25	
29	9005924	Box, BIH252/MH252 Transformer	1	
30	9005927	Cover, BIH252/MH252 Transformer Box Top	1	
31	9005928	Cover, BIH352/MH352 Transformer Box LeftCover, BIH252/MH252 Transformer Box Left	1	
32	9005923	Cover, BIH252/MH252 Transformer Box Right	1	
33	9005925	Box, BIH352/MH352 Transformer Box	1	
34	9005929	Cover, BIH352/MH352 Transformer Box Top	1	
35	9005928	Cover, BIH352/MH352 Transformer Box Left	1	
36	9005930	Cover, BIH452/MH452 Transformer Box RightCover, BIH352/MH352 Transformer Box Right	1	

# MH52 and BIH52 Series Gas Fryers

## Electronics - Transformer Box Components

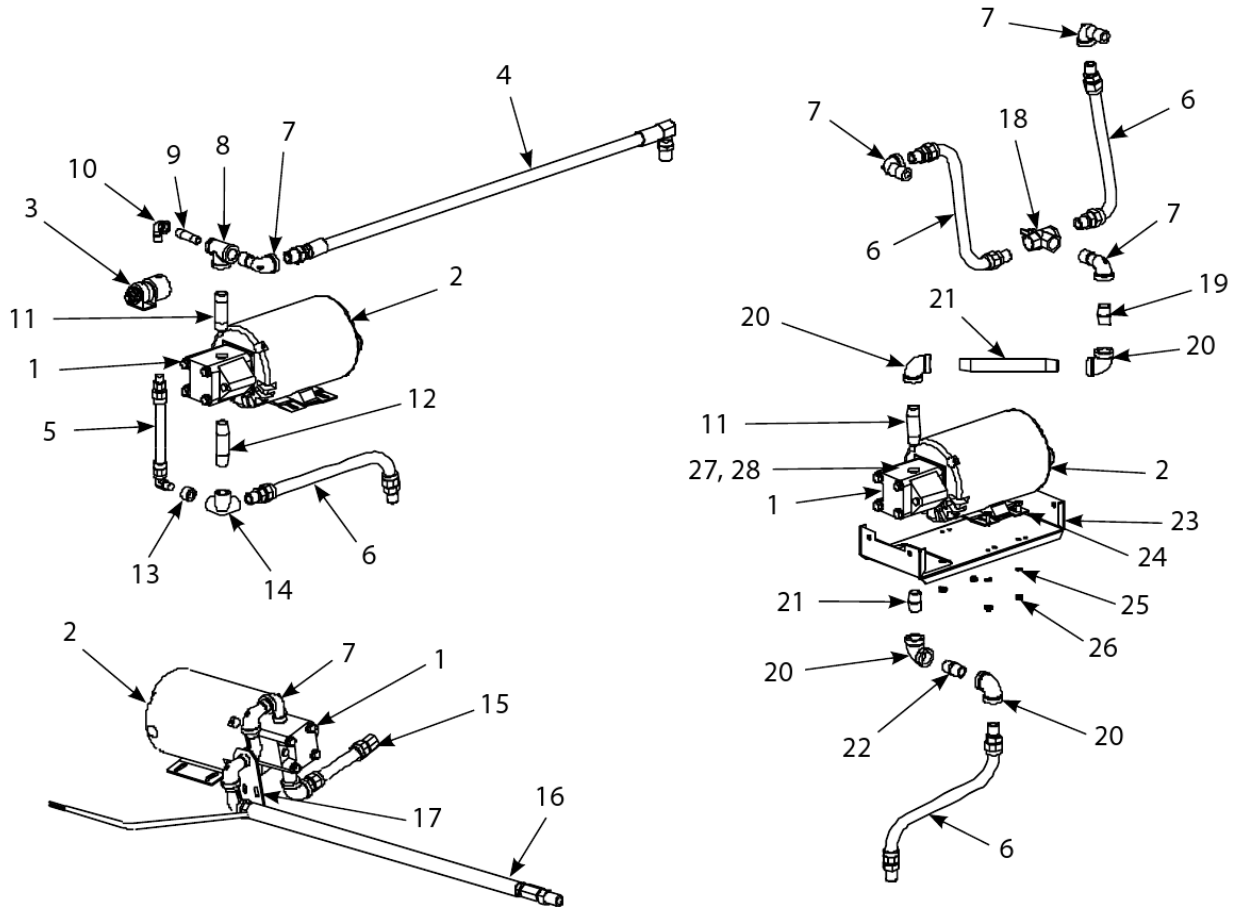
#	PART #	DESCRIPTION	QTY	Note
37	<a href="#">8072608</a>	Block, 8-Post Threaded Terminal	1	[3]
38	8101162	Block, 4-Position Push-In Terminal	1	[5]
39	9005926	Box, BIH452/MH452 Transformer	1	
40	9005931	Cover, BIH452/MH452 Transformer Box Top	1	
41	9005932	Cover, BIH452/MH452 Transformer Box Left	1	
42	9005930	Cover, BIH452/MH452 Transformer Box Right	1	
43	<a href="#">8070156</a>	9-Pin Female Connector, 9-Pin Plug	1	

### PART NOTES:

- [1] - for use in BIH152 units
- [2] - for mounting Items 1-4
- [3] - used in Non-CE units
- [4] - for use on Item 15 and Item 37 terminal posts
- [5] - used in CE units

# MH52 and BIH52 Series Gas Fryers

## Filtration System Components - Filter Motor and Pump Plumbing



# MH52 and BIH52 Series Gas Fryers

## Filtration System Components - Filter Motor and Pump Plumbing

#	PART #	DESCRIPTION	QTY	Note
1	8261264	Pump Kit - 4 GPM Pump, 4 GPM (15 LPM)	1	[1]
1a	8160093	Gasket - Pump/MotorGasket	1	
2	8261712	Motor and Gasket Kit - 115V/50-60 HzMotor and Gasket Kit, Multi-Voltage, 100-120VAC	1	
2a	8261713	Motor and Gasket Kit, Multi-Voltage, 200-250VAC	1	
3	8072484	Solenoid Valve - 0.25"Valve, Solenoid Vent	1	
4	8101404	Flexline - Oil Return (pump to rear manifold)	1	[2]
5	8101373	Flexline - Pump Bypass	1	
6	8069437SP	Flexline - Oil Return - 15.5" L	1	
7	8130165	Elbow - 0.5" x 90° NPT StreetElbow, 0.5-inch x 90° Street	1	
8	8130530	Tee, Reducing 0.5-inch x 0.25-inch x0.5-inchTee, 0.5-inch x 0.25-inch x 0.5-inch Reducing	1	
9	8130537	Nipple - 0.25" x 2"Nipple, 0.25-inch x 2-inch	1	
10	8130543	Elbow, Street 0.25" NPTElbow, 0.25-inch x 90° Street	1	
11	8130265	Nipple - 0.5" x 2.5" NPNipple, 0.5-inch x 2.5-inch	1	
12	8130460	Nipple, 0.5-inch X 3.0-inch NPTNipple, 0.5-inch x 3-inch	1	
13	8130304	Bushing, 0.5-inch NPT to 0.25-inch NPT Flush ReducingBushing, 0.5-inch to 0.25-inch Reducing	1	
14	8130331	Elbow, V-Side Outlet 0.5" NPTElbow, 0.5-inch 3-way	1	
15	8101159	Flexline - Oil Return - 5" LFlexline, 5-inch Oil Return	1	
16	8100945	Hose, Heated Oil Return, 120/240V	1	
16a	8101037	Hose, Heated Oil Return, 208-250VAC	1	
17	9001958	Support, Oil Return	1	
18	8101003	Valve, 180° 3-way Ball	1	
19	8130022	Nipple, 0.5" Close NPT BMNipple, 0.5-inch x Close	1	
20	8130062	Elbow - 0.5" BM x 90°Elbow, 0.5-inch x 90°	1	
21	8130098	Nipple, 0.5-inch x 6.5-inch	1	
22	8130087	Nipple, 0.5-inch NPT x 1.5-inch (3.8 cm)Nipple, 0.5-inch x 1.5-inch	1	
23	9005543	Mount, Motor	1	
24	8261389	Screw - 0.25"-20 x 0.75" Hex Head ZPScrew, 0.25-20 x 0.75-10 inch Hex Head	10	
25	8090191	Washer, Lock 0.25 Spring ZPWasher, 0.25-inch Lock	1	
26	8261362	Nut - 0.25"-20 Hex	10	
27	8090514	Cap Screw - 0.3125" 18 NC HexCapscrew 0.3125"x 18 NC	1	
28	8090194	Flat Washer - 0.3125" ZP	1	
29	8066728SP	Pump Motor to Filter Box Wiring AssemblyWiring Assembly, Pump Motor to Filter Box	1	
30	8160093	Gasket - Pump/MotorGasket, Pump Motor	1	
31	8071600	Thermal Switch, Baldor Motor, 120VAC	1	
31a	8071601	Thermal Switch, Baldor Motor, 240VAC	1	
31b	8071598	Thermal Switch, Magnatek Motor, 120VAC	1	
31c	8071599	Thermal Switch, Magnatek Motor, 240VAC	1	
32	8071420	Heater Tape 120V 25w 36"	1	
32a	8069245SP	Heater Tape 120V 25w 36" (Assy.)	1	
33	8071472	Heater Tape 120V 40w 56"	1	
33a	8068004SP	Heater Tape 120V 40w 56" (Assy.)	1	
34	8072304	Heater Tape 120V 100w 72"	1	

# MH52 and BIH52 Series Gas Fryers

## Filtration System Components - Filter Motor and Pump Plumbing

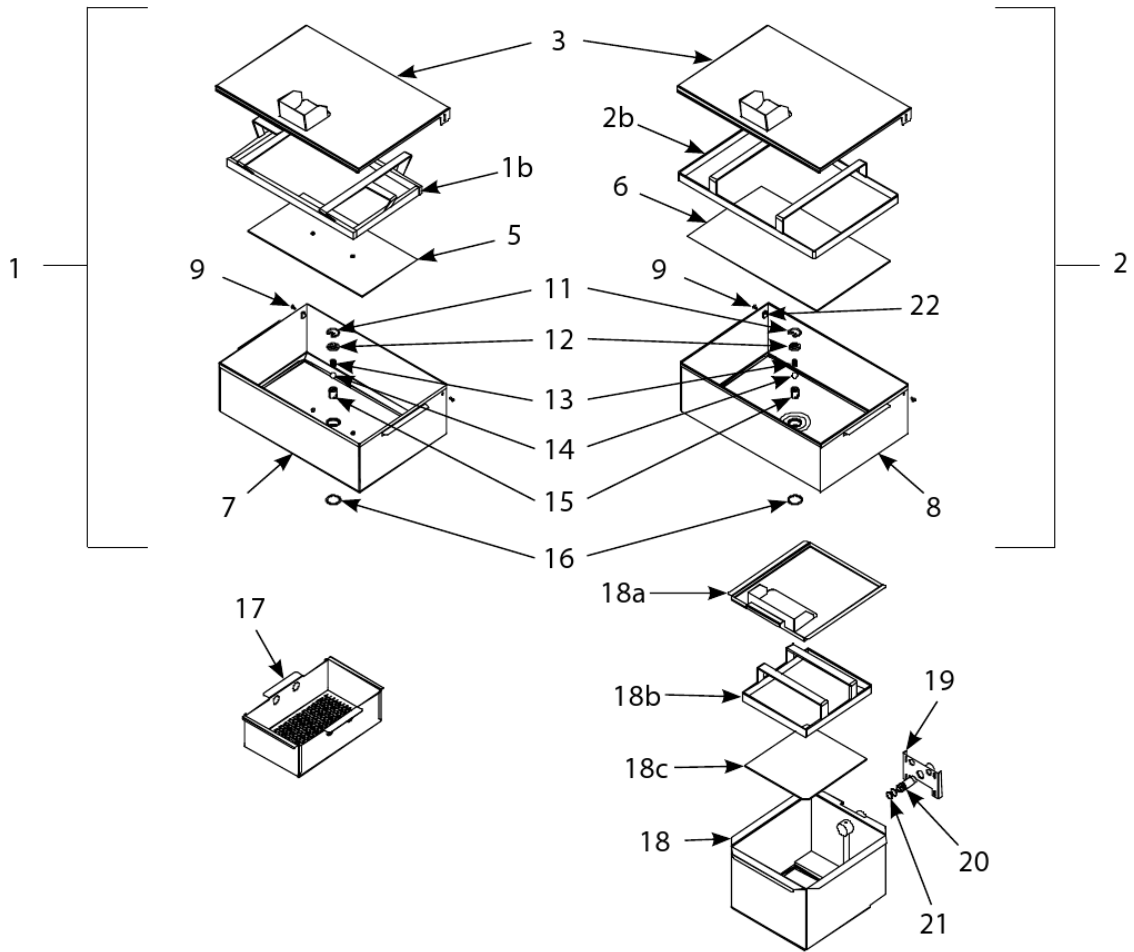
#	PART #	DESCRIPTION	QTY	Note
34a	8067755SP	Heater Tape 120V 100w 72" (Assy.)	1	
35	8110746-FRY	Aluminum Tape – 50 yard roll	1	
36	8110861	Foam Insulation – by the foot	1	

**PART NOTES:**

- [1] - comes with Gasket
- [2] - pump to rear manifold

# MH52 and BIH52 Series Gas Fryers

## Filtration System Components - Filter Pan Assemblies and Associated Components



# MH52 and BIH52 Series Gas Fryers

## Filtration System Components - Filter Pan Assemblies and Associated Components

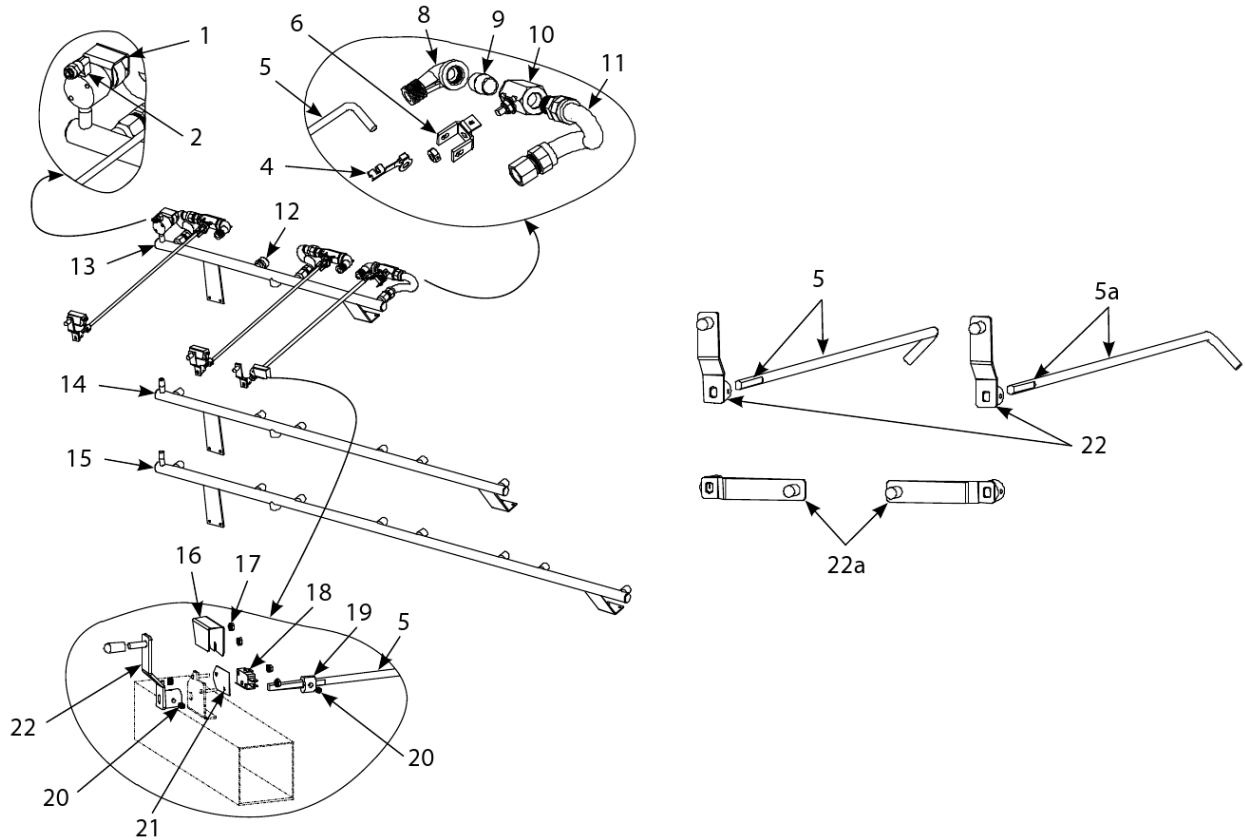
#	PART #	DESCRIPTION	QTY	Note
1	8066423SP	Pan Assembly, Filter, Standard	1	
1a	8067377SP	Pan Assembly, Filter, For use on Japanese/Far East (JBH52) units.	1	
1b	8101405	Ring, Hold Down	1	
2	8065618SP	Pan Assembly, Filter	1	[1]
2a	8232321	Cover, Filter Pan	1	
2b	8101408	Ring, Hold Down	1	
3	8232027	Cover, Filter Pan	1	
5	8122026	Screen, Sana Grid (9 x 17-inch/23 x 43cm, has alignment holes)	1	
6	8103559	Screen, Sana Grid (12 x 19.5-inch/30.5 x 49.5cm, has no holes)	1	
7	8232234SP	Pan, Filter	1	[2]
8	8231979SP	Pan, Filter	1	[3]
9	8090422	Screw, 10-32 x 0.4375-inch Slotted Truss Head	1	
10	8261490	Kit, Filter Pan Check Valve Service	1	[4]
11	8101387	Check Valve Retainer	1	
12	9005448	Strainer, Check Valve	1	
13	8100946	Spring, Check Valve	1	
14	8100948	Ball, Check Valve	1	
15	8101388	Check Valve Tube	1	
16	8160597PK	O-Ring, Check Valve - QTY 6	1	
17	8237846	Screen, Crumb	1	
18	8232575SP	Pan, Filter	1	[5]
18a	8232586	Cover, Filter Pan	1	
18b	8232574	Ring, Hold Down	1	
18c	9008829	Screen, San Grid (10 x 9-inch/23 x 25cm) Baby FP	1	
19	8232578	Bracket, BIH152 Oil Return	1	
20	8100697	Disconnect, Male	1	
21	8261392	O-RingO-Ring, BIH152 Oil Return	5	
22	8090028	Nut, Wld 10-32 Sngl Wng	1	
23	8068550SP	Inner Pan w/ ck valve and O-rings	1	

### PART NOTES:

- [1] - Paper pans used in Japan
- [2] - has screen alignment pins in pan bottom
- [3] - has no screen alignment pins in pan bottom
- [4] - consists of Items 11 through 16
- [5] - for use in BIH152 units

# MH52 and BIH52 Series Gas Fryers

## Filtration System Components - Rear Flush Oil Return Components



# MH52 and BIH52 Series Gas Fryers

## Filtration System Components - Rear Flush Oil Return Components

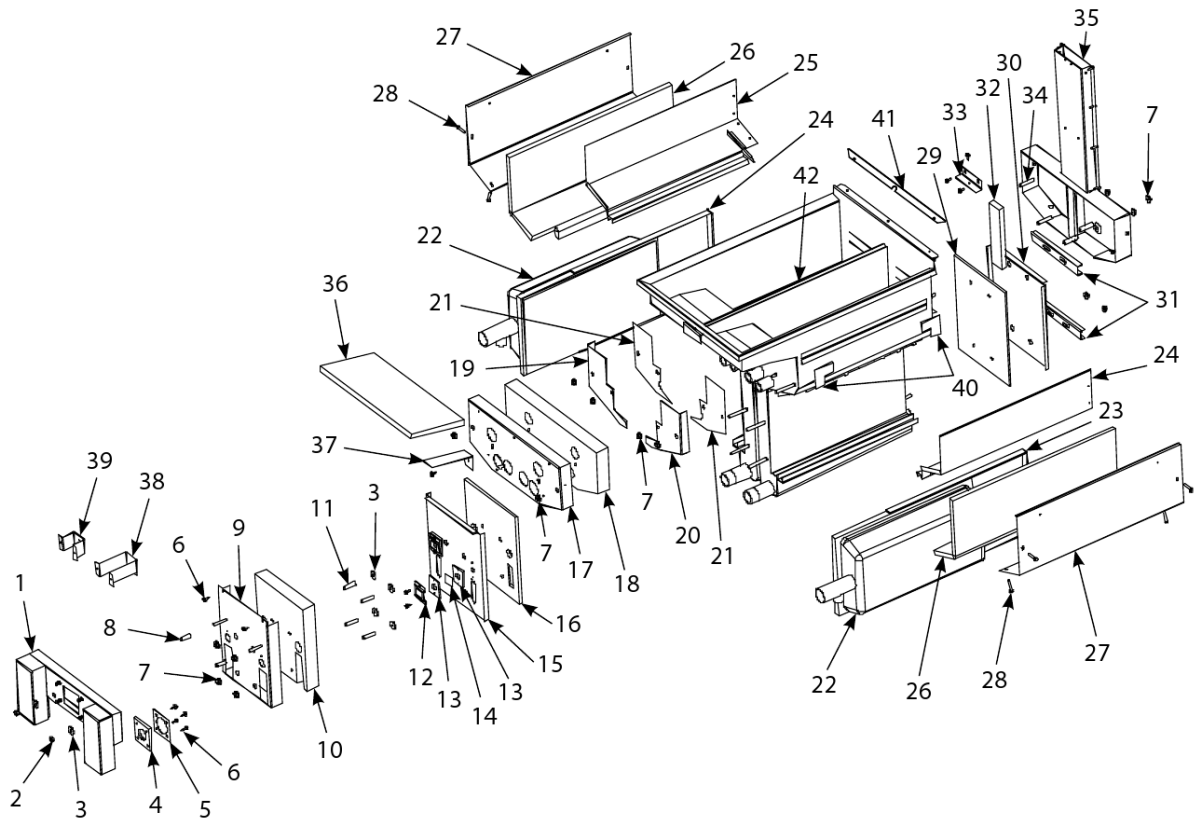
#	PART #	DESCRIPTION	QTY	Note
1	8072484	Solenoid Valve - 0.25" Valve, Solenoid Vent	1	[1]
2	8103904	Quick Connect - 0.25" x 90° Elbow, 90° x 0.25-inch NPT x 0.375-inch Tube	1	
3	8110932	Vent Tube, Teflon 0.375" OD Bulk Vent Tube 0.375" OD Bulk Teflon	1	
4	8090601	Clip, Clevis Clip, Rod End Clevis	1	
5	8101767	Shaft, Rear Flush Valve (For use in left oil return valve assemblies)	1	
5a	8101766	Shaft, Rear Flush Valve (For use in right oil return valve assemblies)	1	
6	9012772	Handle, Valve Rear Flush LTHandle, Rear Flush Valve (For use in left oil return valve assemblies)	1	
6a	9022772	Handle, Valve Rear Flush RTHandle, Rear Flush Valve (For use in right oil return valve assemblies)	1	
7	9002935	Retainer, Nut Oil Return Valve Nut, Oil Return Valve Retainer	1	
8	8130165	Elbow - 0.5" x 90° NPT Street Elbow, 90° x 0.5-inch Street	1	
9	8130022	Nipple, 0.5" Close NPT BM Nipple, 0.5-inch Close	1	
10	8100278	Valve, 0.5" Ball Valve, 0.5-inch Ball	1	
11	8069828SP	Flexline - Oil Return - 9" L	1	
12	8130469	Cap, 0.5-inch NPT Pipe Cap, 0.5-inch Pipe	1	
13	8101360	Manifold, BIH252 Rear Flush Oil Return	1	
14	8101357	Manifold, BIH352 Rear Flush Oil Return	1	
15	8101378	Manifold, BIH452 Rear Flush Oil Return	1	
16	9012214	Cover, BIH52 Rear Flush Oil Return Microswitch, For use in left handle and switch assemblies.	1	
16a	9022214	Cover, BIH52 Rear Flush Oil Return Microswitch, For use in right handle and switch assemblies.	1	
17	8261366	Nut - #4-40 Keps Hex	25	
18	8072103	Microswitch	1	
19	8101186	Cam, Filter System Microswitch	1	
20	8261377	Setscrew, 10-32 x 0.25-inch	25	
21	8160220	Insulation, Microswitch Insulation, Microswitch	1	
22	8232295	Handle, Rear Flush, For use in Non-CE applications	1	
22a	8232259	Handle, Rear Flush, For use in CE applications only	1	
23	8121253SP	Cover, Rear Flush Handle	1	

### PART NOTES:

[1] - 145 ohms

# MH52 and BIH52 Series Gas Fryers

## Frypot Assembly Components - Dual Vat



# MH52 and BIH52 Series Gas Fryers

## Frypot Assembly Components - Dual Vat

#	PART #	DESCRIPTION	QTY	Note
1	8230970	Plenum, Dual-Vat	1	
1a	8231049	Plenum, For use on units with Air Switch. HE Dual Vat European	1	
1b	8232181	Plenum, For use on JBIH152 models only.	1	
2	8261372	Nut Grip 0.25-inch 0.25-20 Hex NPNut, 0.25-20 Hex	10	
3	8261383	Washer, 0.75-inch O.D. x 0.25-inch I.D. ZPWasher, 0.25-inch x 0.75-inch Flat	5	
4	8160057	Gasket, Plenum	1	
5	9001049	Retainer, Plenum Gasket	1	
6	8261371	Screw - #8 x 0.5" Hex Head ZPScrew, #8 x 0.5-inch Hex Head	25	
7	8261368	Nut - 0.25-20 Serrated Flange	10	
8	8100500	Spacer, .25-inch x .9375-inchSpacer, 0.25-inch x 0.9375-inch	1	
9	8230968SP	Retainer, Dual Vat Outer Combustion Chamber Insulation	1	
10	8160558	Insulation, Dual Vat Combustion Chamber Outer Lower	1	
11	8261340	Spacer, .25-inch x 1.187-inchSpacer, 0.25-inch x 1.1875-inch	10	
12	9001031	Retainer, Burner Sight GlassRetainer, Sight Glass	1	
13	8120356	Insulation, Burner Sight GlassGasket, Sight Glass	1	
14	8140048SP	Glass, Burner SightSight Glass	1	
15	8230983SP	Retainer, Dual Vat Inner Combustion Chamber Insulation	1	
16	8120458	Burner Insulation Kit Dual Vat, Insulation, Full Vat Inner Combustion ChamberInsulation, Dual Vat Inner Combustion Chamber	1	
17	9303628	Retainer, Dual Vat Frypot Outer Front Insulation	1	
18	8160559	Insulation, Dual Vat Frypot Outer Front	1	
19	8240865	Seal, Dual Vat Frypot Left	1	
20	8240866	Seal, Dual Vat Frypot Right	1	
21	8120404	Insulation, Frypot Seal	1	
22	8261072	Kit, Burner Replacement, Natural and Propane Gas	1	
22a	8261073	Kit, Burner Replacement, Manufactured Gas	1	
23	8160577	Insulation, Burner	1	
24	8232823	Rail, Dual Vat Right Burner Side W/A	1	
25	8232822	Rail, Dual Vat Left Burner Side W/A	1	
26	8121029	Insulation, Combustion Chamber SideInsulation, Frypot Side	1	
27	9004452	Retainer, Frypot Side Insulation	1	
28	8090362	Screw, 8 x 1.25-inch Hex Washer Head Drill PointScrew, #8 x 1-inch Hex Washer Head	1	
29	8120354	Burner Insulation Kit Dual Vat, Insulation, Full Vat Rear Combustion ChamberInsulation, Dual Vat Rear Combustion Chamber	1	
30	2000941	Back, Dual Vat Combustion Chamber	1	
31	9000914	Retainer, Dual Vat Combustion Chamber Back	1	
32	8120688	Insulation, Flue CollectionInsulation, Dual Vat Gas Collector	1	
33	9300818	Bracket, Flue to PotBracket, Flue to Frypot Mounting	1	
34	8100406	Spacer, 0.25-inch x 1.4375-inch	1	
35	8066142SP	Flue Assembly, Full VatFlue Assembly, Dual Vat	1	
36	8120993	Insulation, Frypot Upper	1	
37	9001515	Retainer, Frypot Upper Insulation	1	
38	9000857	Bracket, BIH52 Frypot Mounting	1	

# MH52 and BIH52 Series Gas Fryers

## Frypot Assembly Components - Dual Vat

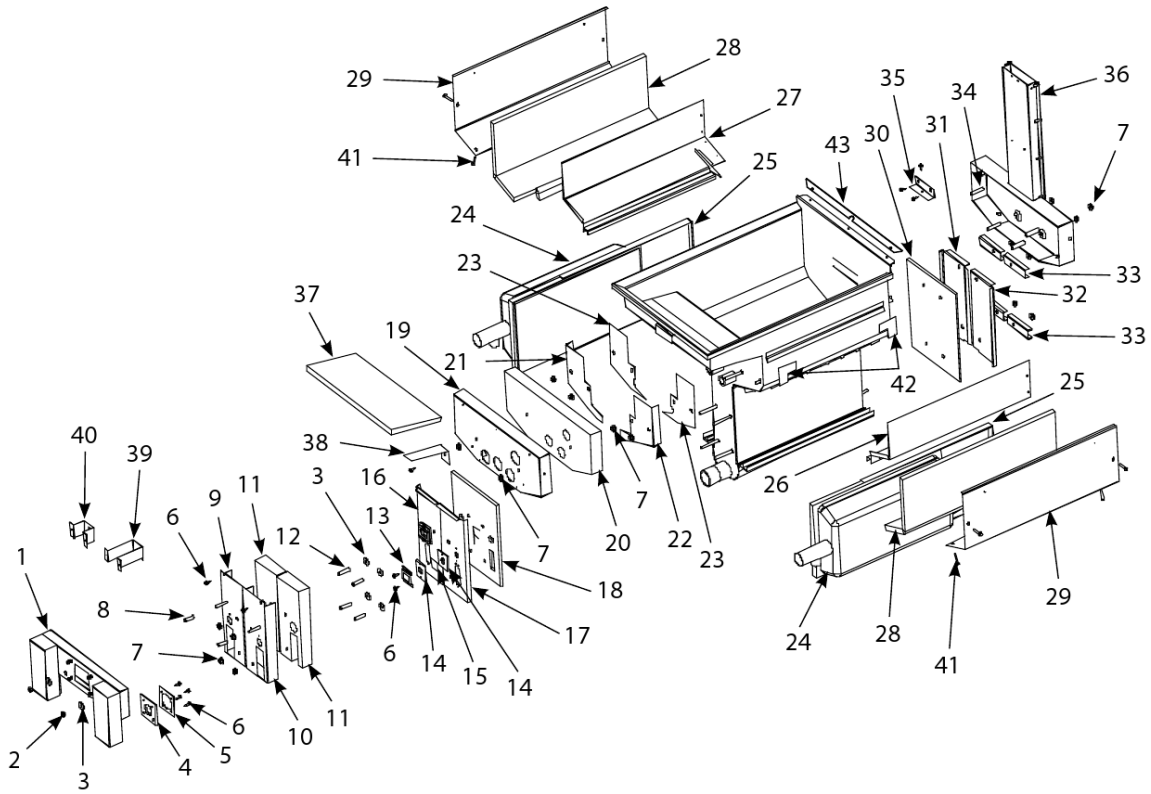
#	PART #	DESCRIPTION	QTY	Note
39	9001401	Bracket, MH52 Frypot Mounting	1	
40	8120706	Insulation, Upper Burner Rail	1	
41	9004253	Strip, Fluecap Retainer	1	
42	8240541	Riser, DV Pot Divider W/A	1	
43	9102474	Pot-to-Pot Gap Clip	1	
44	8130463-FRY	Plug - 0.5" NPT Plug, 0.5-inch NPT BM	1	
45	8130336	Plug, 0.5-inch NPT SS	1	
46	1061043SP	Replacement Full Vat Frypot Kit (Manufactured Gas)	1	
46a	1061049SP	Replacement Full Vat Frypot Kit (Natural Gas (G20/G25))	1	
46b	1061050SP	Replacement Full Vat Frypot Kit (Propane/Butane (G30/G31))	1	
47	1061066SP	Replacement Dual Vat Frypot Kit (Manufactured Gas)	1	
47a	1061079SP	Replacement Dual Vat Frypot Kit (Natural Gas (G20/G25))	1	
47b	1061080SP	Replacement Dual Vat Frypot Kit (Propane/Butane Gas)	1	
48	8260929	Full Vat Insulation Kit	1	
48a	8160059	Gasket, Ignitor Full Vat Insulation Kit, Gasket	1	
48b	8140048SP	Glass, Burner Sight Full Vat Insulation Kit, Sight Glass	1	
48c	8160057	Gasket, Plenum Full Vat Insulation Kit, Gasket	1	
48d	9001515	Retainer, Frypot Upper Insulation Full Vat Insulation Kit, Insulation Retainer	1	
49	8260930	Dual Vat Insulation Kit	1	
50	8260931	Burner Insulation Kit Full Vat	1	
50a	8120357	Insulation, HE Burner Burner Insulation Kit Full Vat, Insulation, Burner	1	
50b	8120457	Insulation, Full Vat Inner Combustion Chamber Burner Insulation Kit Full Vat, Insulation, Full Vat Inner Combustion Chamber	1	
50c	8120355	Insulation, Full Vat Rear Combustion Chamber Burner Insulation Kit Full Vat, Insulation, Full Vat Rear Combustion Chamber	1	
50d	8160057	Gasket, Plenum Burner Insulation Kit Full Vat, Gasket, Plenum	1	
51	8260932	Burner Insulation Kit Dual Vat	1	
51a	8120357	Insulation, HE Burner Burner Insulation Kit Dual Vat, Insulation, Burner	1	
51b	8120458	Burner Insulation Kit Dual Vat, Insulation, Full Vat Inner Combustion Chamber	1	
51c	8120354	Burner Insulation Kit Dual Vat, Insulation, Full Vat Rear Combustion Chamber	1	
51d	8160057	Gasket, Plenum Burner Insulation Kit Dual Vat, Gasket, Plenum	1	
52	2100681	Probe Guard	1	
53	8066142SP	Flue Assembly, Full Vat Riser Assembly, Flue	1	[1]
54	9002298	Shutter, BIH152 Plenum	1	

**PART NOTES:**

[1] - replaces 8065859SP and 1061018SP.

# MH52 and BIH52 Series Gas Fryers

## Frypot Assembly Components - Full Vat



# MH52 and BIH52 Series Gas Fryers

## Frypot Assembly Components - Full Vat

#	PART #	DESCRIPTION	QTY	Note
1	8230969	Plenum	1	
1a	8231048	Plenum	1	[1]
2	8261372	Nut Grip 0.25-inch 0.25-20 Hex NPNut, 0.25-20 Hex	10	
3	8261383	Washer, 0.75-inch O.D. x 0.25-inch I.D. ZPWasher, 0.25-inch x 0.75-inch Flat	5	
4	8160057	Gasket, Plenum	1	
5	9001049	Retainer, Plenum Gasket	1	
6	8261371	Screw - #8 x 0.5" Hex Head ZPScrew, #8 x 0.5-inch Hex Head	25	
7	8261368	Nut - 0.25-20 Serrated Flange	10	
8	8100500	Spacer, .25-inch x .9375-inchSpacer, 0.25-inch x 0.9375-inch	1	
9	82311691SP	Retainer, Full Vat Left Outer Combustion Chamber Insulation	1	
10	8231169SP	Retainer, Full Vat Right Outer Combustion Chamber Insulation	1	
11	8160561	Insulation, Full Vat Combustion Chamber Outer	1	
12	8261340	Spacer, .25-inch x 1.187-inchSpacer, 0.25-inch x 1.1875-inch	10	
13	9001031	Retainer, Burner Sight GlassRetainer, Sight Glass	1	
14	8120356	Insulation, Burner Sight GlassGasket, Sight Glass	1	
15	8140048SP	Glass, Burner SightSight Glass	1	
16	2000935	Retainer, Full Vat Left Inner Combustion Chamber Insulation	1	[2]
17	2000934	Retainer, Full Vat Right Inner Combustion Chamber Insulation	1	[2]
18	8120457	Insulation, Full Vat Inner Combustion Chamber	1	
19	2002227	Retainer, Full Vat Frypot Outer Front Insulation	1	
20	8160560	Insulation, Full Vat Frypot Outer Front	1	
21	8240863	Seal, Full Vat Frypot Left	1	
22	8240864	Seal, Full Vat Frypot Right	1	
23	8120404	Insulation, Frypot Seal	1	
24	8261072	Kit, Burner Replacement, Natural and Propane Gas	1	
24a	8261073	Kit, Burner Replacement, Manufactured Gas	1	
25	8120357	Insulation, HE Burner	1	
26	8233142	Rail, Full Vat Right Burner	1	
27	8231777	Rail, Full Vat Left Burner	1	
28	8121029	Insulation, Combustion Chamber SideInsulation, Frypot Side	1	
29	9004452	Retainer, Frypot Side Insulation	1	
30	8120355	Insulation, Full Vat Rear Combustion Chamber	1	
31	2000936	Back, Left Full Vat Combustion Chamber	1	
32	2000937	Back, Right Full Vat Combustion Chamber	1	
33	9001221	Retainer, Full Vat Combustion Chamber Back	1	
34	8100406	Spacer, 0.25-inch x 1.4375-inch	1	
35	9300818	Bracket, Flue to PotBracket, Flue to Frypot Mounting	1	
36	8066142SP	Flue Assembly, Full Vat	1	
37	8120993	Insulation, Frypot Upper	1	
38	9001515	Retainer, Frypot Upper Insulation	1	
39	9000857	Bracket, BIH52 Frypot Mounting	1	
40	9001401	Bracket, MH52 Frypot Mounting	1	
41	8090362	Screw, 8 x 1.25-inch Hex Washer Head Drill PointScrew, #8 x 1-inch Hex Washer Head	1	

# MH52 and BIH52 Series Gas Fryers

## Frypot Assembly Components - Full Vat

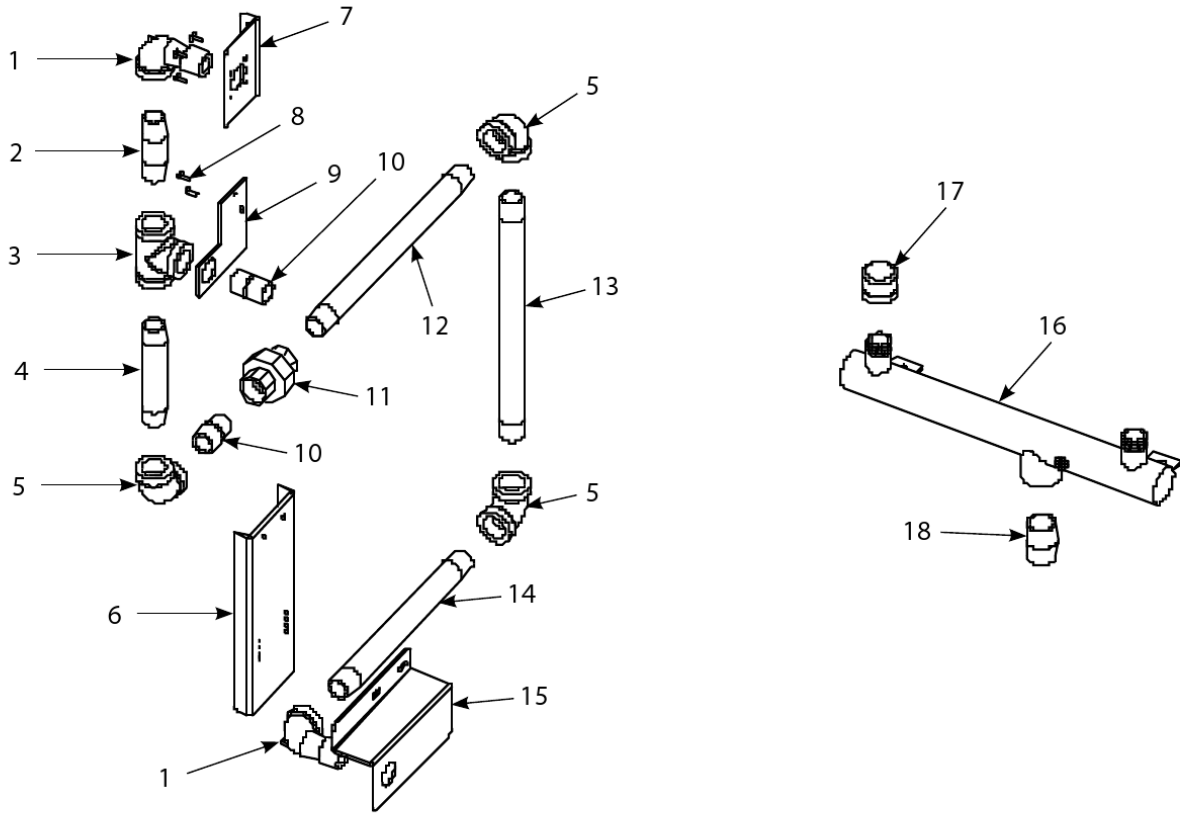
#	PART #	DESCRIPTION	QTY	Note
42	8120706	Insulation, Upper Burner Rail	1	
43	9004253	Strip, Fluecap Retainer	1	
44	9102474	Pot-to-Pot Gap Clip	1	
45	8130463-FRY	Plug - 0.5" NPT	1	
46	8130336	Plug, 0.5-inch NPT SS	1	

**PART NOTES:**

- [1] - use on units equipped with Air Switch
- [2] - before 09/01

# MH52 and BIH52 Series Gas Fryers

## Gas Manifolds – Single BIH52-MH52 Units



# MH52 and BIH52 Series Gas Fryers

## Gas Manifolds – Single BIH52-MH52 Units

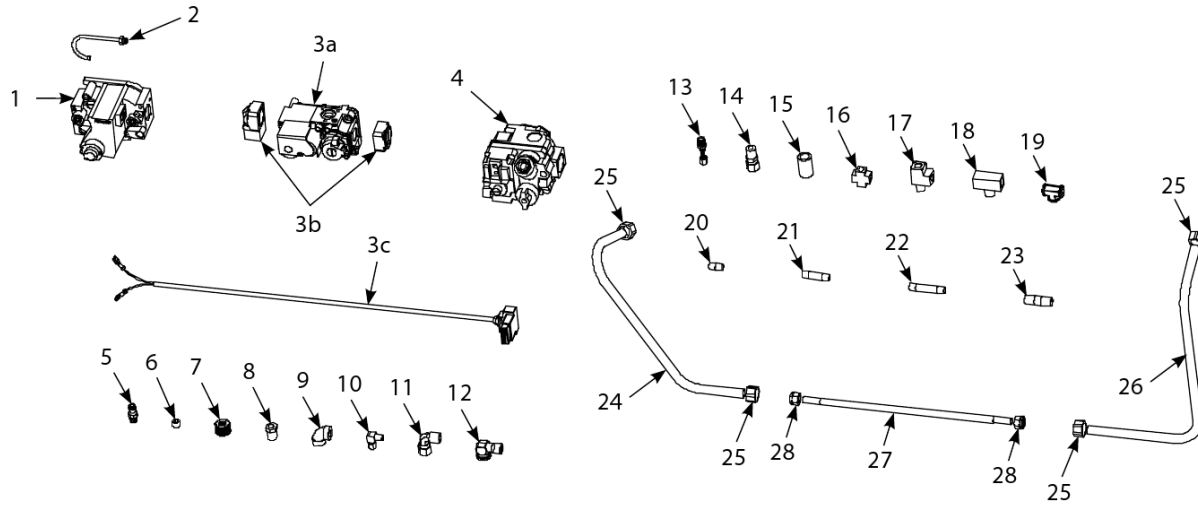
#	PART #	DESCRIPTION	QTY	Note
1	<a href="#">8130165</a>	Elbow - 0.5" x 90° NPT StreetElbow, 0.5-inch NPT Street x 90°	1	
2	<a href="#">8130265</a>	Nipple - 0.5" x 2.5" NPNipple, 0.5-inch NPT x 2.5-inch	1	
3	<a href="#">8130003-FRY</a>	Tee - 0.5" NPTTee, 0.5-inch NPT	1	
4	<a href="#">8130093-FRY</a>	Nipple - 0.5" NPT x 4"	1	[1]
5	<a href="#">8130062</a>	Elbow - 0.5" BM x 90°Elbow, 0.5-inch NPT x 90°	1	
6	9005616	Mount, BIH152 Gas Line	1	
7	9005596	Mount, Valve Plate	1	[2]
8	<a href="#">8090107</a>	Screw, 8-32 x 0.375" Round Slotted Head	1	
9	9008740	Mount, Valve Plate	1	
9a	<a href="#">8101715</a>	Valve, CE Gas G20, G25, G30, G31Mount, Valve Plate (used 1 with CE Gas Valve only)	1	
10	<a href="#">8130022</a>	Nipple, 0.5" Close NPT BMNipple, 0.5-inch NPT Close	1	
11	<a href="#">8130173</a>	Union, 0.5-inch NPT	1	
12	8130496	Nipple, 0.5-inch NPT x 9.5-inch	1	
13	<a href="#">8130253-FRY</a>	Nipple, 0.5-inch NPT x 10-inch	1	[3]
14	<a href="#">8130320</a>	Nipple, 0.5-inch NPT x 8-inch	1	
15	9005615	Support, BIH152 Gas Line	1	
16	8100959	Manifold, MH152 1-piece Gas	1	
17	<a href="#">8130469</a>	Cap, 0.5-inch NPT Pipe	1	
18	<a href="#">8130109</a>	Nipple, 0.75-inch NPT Close	1	
19	<a href="#">8100478</a>	Gas Line, 1-Inch Dormont FlexibleDormont Hose Assembly	1	
20	<a href="#">8101425</a>	Fitting, 0.5-inch Quick Disconnect x 0.5-inch Female NPT	1	

**PART NOTES:**

- [1] - replaces Item 11 in some models
- [2] - used with Non-CE Gas Valves only
- [3] - Dual-val Configuration

# MH52 and BIH52 Series Gas Fryers

## Gas Valves, Gas Lines and Fittings



# MH52 and BIH52 Series Gas Fryers

## Gas Valves, Gas Lines and Fittings

#	PART #	DESCRIPTION	QTY	Note
1	8261122	Valve, Non-CE, Natural Gas G20, G25Gas Valve, Non-CE Kit, Natural Gas	1	[1]
1a	8261123	Valve, Non-CE, Propane Gas G30, G31Gas Valve, Non-CE Kit, Propane (LP) Gas	1	[2]
2	8100691	Tube, 0.125-inch VentVent Tube	1	
3	8261576	CE Gas Valve Kit	1	
3a	8101715	Valve, CE Gas G20, G25, G30, G31Gas Valve, Universal CE	1	[3]
3b	8101041	Gas valve accessory kitAccessory Kit	1	[4]
3c	8069678SP	Plug Assy, CE Gas Valve	1	[5]
4	8071229	Gas Valve, Manufactured Gas	1	
5	8101176	Tap, 0.125-inch NPT Pressure	1	
6	8130568	Plug, 0.125" SS NPT, Sq-Head	1	
7	8130304	Bushing, 0.5-inch NPT to 0.25-inch NPT Flush Reducing	1	
8	8101006	Bushing, 0.25-inch NPT to 0.125-inch NPT Reducing	1	
9	8130004	Elbow, 90° x 0.125-inch NPT	1	
10	8130354	Elbow, 0.125-inch NPT X 0.125-inch Tube CompressionElbow, 90° x 0.125-inch NPT x 0.125-inch Tube	1	[6]
11	8130302	Elbow, 0.25-inch Male NPT to 0.375-inch Tube 90°Elbow, 90° x 0.375-inch Tube x 0.25-inch Male NPT	1	[6]
12	8130502	Elbow, 90° Street x 0.25-inch	1	[6]
13	8130340	Adapter, 0.125-inch NPT to 0.125-inch TubeConnector, 0.125-inch Tube to 0.125-inch Male NPT	1	[6]
13a	8100502	Enrichment Tube, 8.5-inch Connector, 0.125-inch Tube to 0.125-inch Male NPT	1	[7]
14	8101025	Connector, 0.25-inch Male NPT to 0.375-inch TubeConnector, 0.375-inch Tube to 0.25-inch Male NPT	1	[6]
15	8130507	Coupling, 0.25-inch NPT	1	[6]
16	8130378	Fitting, 0.125-inch NPT CrossCross Fitting, 0.5-inch Female NPT	1	[6]
17	8101026	Tee, 0.25-inch Male NPT to Female NPT StreetTee, 0.25-inch NPT Street	1	[6]
18	8130495	Tee, 0.25-inch Male NPT to Female NPTTee, 0.25-inch Male NPT Branch	1	[6]
19	8130377	Tee, 0.125-inch Female NPT	1	[6]
20	8130016	Nipple, 0.125-inch NPT Close	1	
21	8130315	Nipple, 0.125-inch NPT x 1.5-inch	1	[8]
22	8130405	Nipple, 0.125-inch NPT x 2-inch	1	[9]
23	8130471	Nipple, 0.25-inch NPT x 1.5-inch	1	[8]
24	9003739	Gas Tube (Left), H52 FV Manufactured Gas	1	[10]
25	8100503	Compression Nut (Ferrule), 0.5-inch Manufactured Gas Tube	1	
26	9003737	Gas Tube (Right), H52 FV Manufactured Gas	1	[10]
26a	9003735	Gas Tube (Left and Right), H52 DV Manufactured Gas	1	[10]
27	8101353	Gas Line, 0.375-inch OD X 9-inch SS Flexible Flexible Stainless Steel Gasline (Flexline), 0.375-inch OD, 9-inch	1	[11]
27a	8261530	Flexible Stainless Steel Gasline (Flexline), 0.375-inch OD, 9-inch	1	[11]
27b	8101354	Flexible Stainless Steel Gasline (Flexline), 0.375-inch OD, 12-inch	1	[12]
27c	8261531	Flexible Stainless Steel Gasline (Flexline), 0.375-inch OD, 12-inch	1	[12]

# MH52 and BIH52 Series Gas Fryers

## Gas Valves, Gas Lines and Fittings

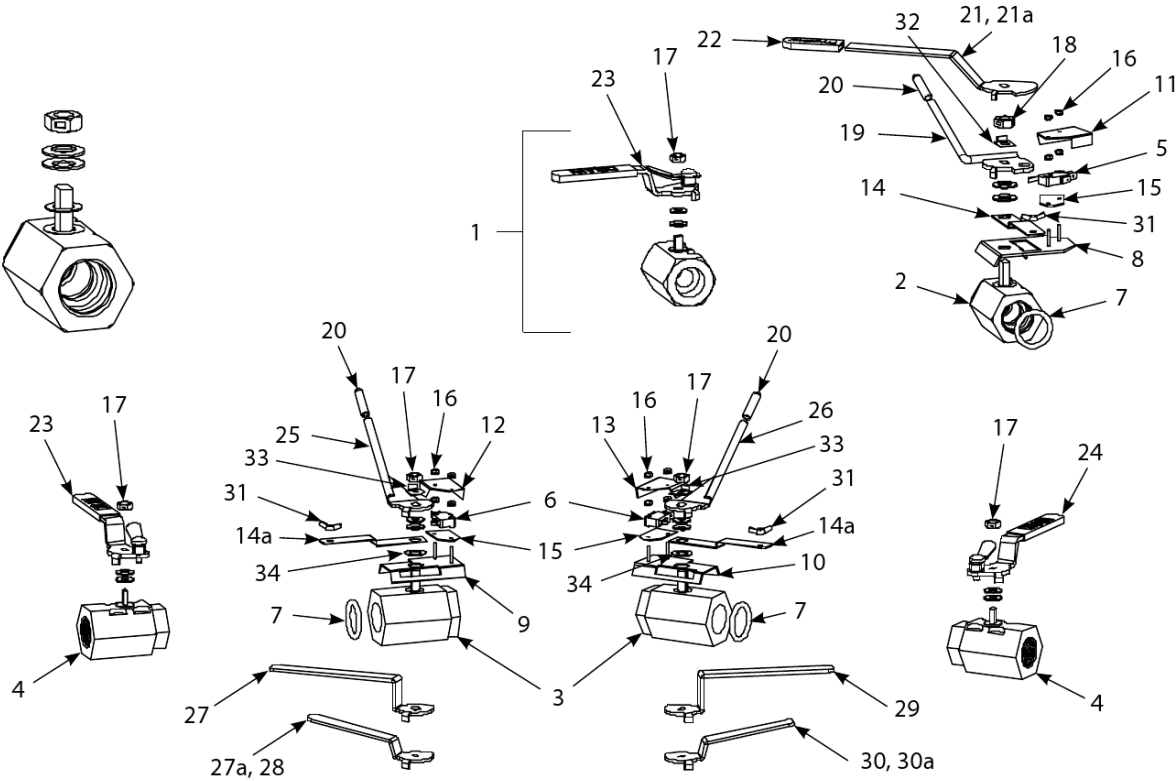
#	PART #	DESCRIPTION	QTY	Note
27d	8101355	Gas Line, 0.375-inch OD X 15-inch SS FlexibleFlexible Stainless Steel Gasline (Flexline), 0.375-inch OD, 15-inch	1	[13]
27e	8261532	Flexible Stainless Steel Gasline (Flexline), 0.375-inch OD, 15-inch	1	[13]
28	8100494	Compression Nut (Ferrule), 0.375-inch Flexible Gas Line	1	
29	8110752	Enrichment Tube, 5.5-inch	1	[14]
30	8110756	Enrichment Tube, 8.5-inch	1	[15]
30a	8100502	Enrichment Tube, 8.5-inch	1	[15]
31	8110800	Enrichment Tube, 12.5-inch	1	[16]
32a	8261387	Orifice, 0.86 mm (for Propane gas, 0-1999 feet/0-609 meters)	1	[16]
33	8111197	Tube, 18-inch Enrichment	1	[17]

### PART NOTES:

- [1] - G20/G25
- [2] - G30/G31
- [3] - G20/G25/G30/G31
- [4] - 2 straight and 2 elbow flanges, screws, O-rings, LP gas spring
- [5] - used with Item 3a
- [6] - Brass
- [7] - Brass; manufactured gas only
- [8] - 4.8 cm
- [9] - 5.1 cm
- [10] - pre-formed
- [11] - 22.9 cm
- [12] - 30.5 cm
- [13] - 38.1 cm
- [14] - 14 cm
- [15] - 21.6 cm
- [16] - 31.8 cm
- [17] - 45.7 cm

# MH52 and BIH52 Series Gas Fryers

## Oil Handling System Components - Drain System Components - Drain Valve Assemblies and Associated



# MH52 and BIH52 Series Gas Fryers

## Oil Handling System Components - Drain System Components - Drain Valve Assemblies and Associated

#	PART #	DESCRIPTION	QTY	Note
1	8101569	Valve, 1.25-inch, Non-filter, Full-vat Drain	1	[1]
1a	8067916	Valve, 1-inch Drain w/ lock Right	1	
1b	8067915	Valve, 1-inch Drain w/ lock Left	1	
2	8101018	Drain Valve, 1.25", Left	1	[2]
2a	8066373SP	Valve Assembly 1.25-inch Drain	1	
3	8101114	Drain Valves, Dual-vat, 1-inch Drain Valve	1	[2]
3a	8066608SP	Valve, Drain Assembly Right DV 1.25-inch	1	
3b	8066609SP	Valve, Drain Assembly Left DV 1.25-inch	1	
3c	8066400SP	Valve, Drain Assembly Left DV 1-inch	1	
3d	8066401SP	Valve, Drain Assembly Right DV 1-inch	1	
4	8101338	Valve, 1-inch, Universal Ball	1	[3]
5	8072103	MicroswitchSwitch, Drain Safety (for use on Full Vat BIH52 units)	1	
6	8072104	Microswitch	1	
7	8160135	O-ringO-Ring	1	[4]
8	8068137	Bracket Assembly, Full-Vat Drain Safety Switch	1	
9	8068194	Bracket, Left Dual Vat Drain Safety Switch	1	
9a	1062671	Bracket Assembly, Dual-Vat Left Drain Safety Switch	1	
10	8068195	Bracket, Right Dual Vat Drain Safety Switch	1	
10a	1062672	Bracket Assembly, Dual-Vat Right Drain Safety Switch	1	
11	9002841	Cover, Full Vat Drain Safety Switch	1	
12	9012348	Cover, Dual-Vat Left Drain Safety SwitchCover, Left Dual Vat Drain Safety Switch	1	
13	9022348	Cover, DV Safety SwitchCover, Right Dual Vat Drain Safety Switch	1	
14	9002354	Bracket, Full Vat Drain Valve	1	
14a	9002355	Bracket, Dual Vat Drain Valve	1	
15	8160220	Insulation, MicroswitchInsulation, Drain Safety Switch	1	
16	8261366	Nut - #4-40 Keps Hex	25	
17	8090539	Nut, 0.375-16 2-Way LockNut, 0.375-inch 2-Way Lock	1	
18	8090540	Nut, Lock 0.5-inch-13 Hex 2-Way ZPNut, 0.5-inch 2-Way Lock	1	
19	9002609	Handle, FV Drain	1	
19a	2108967	Handle, FV Drain SS	1	
19b	8232371	Handle, Non-CE Full Vat	1	
20	8100677	Grip, Handle Round	1	
21	9002521	Handle, CE Full Vat BIH52 Drain Valve	1	
21a	2109179	Handle, Full Vat BIH52 Drain Valve	1	
22	8140047	Cap, Vinyl RedSleeve, Handle Flat	1	
23	8101568	Handle, Drain Valve	1	
24	8101567	Handle with Lock, Drain Valve (for Right Dual Vat MH52 Valve)	1	
25	2013916	Valve Handle - Dual Vat - Left	1	
25a	8233901	Handle, Non-CE Dual Vat BIH52 Left Drain Valve non-McD's	1	
26	2004304	Handle, Non-CE Dual Vat BIH52 Right Drain Valve	1	
26a	8233902	Handle, Non-CE Dual Vat BIH52 Right Drain Valve non-McD's	1	
27	9002509	Handle, CE Dual Vat BIH52 Left Drain Valve	1	

# MH52 and BIH52 Series Gas Fryers

## Oil Handling System Components - Drain System Components - Drain Valve Assemblies and Assemblies

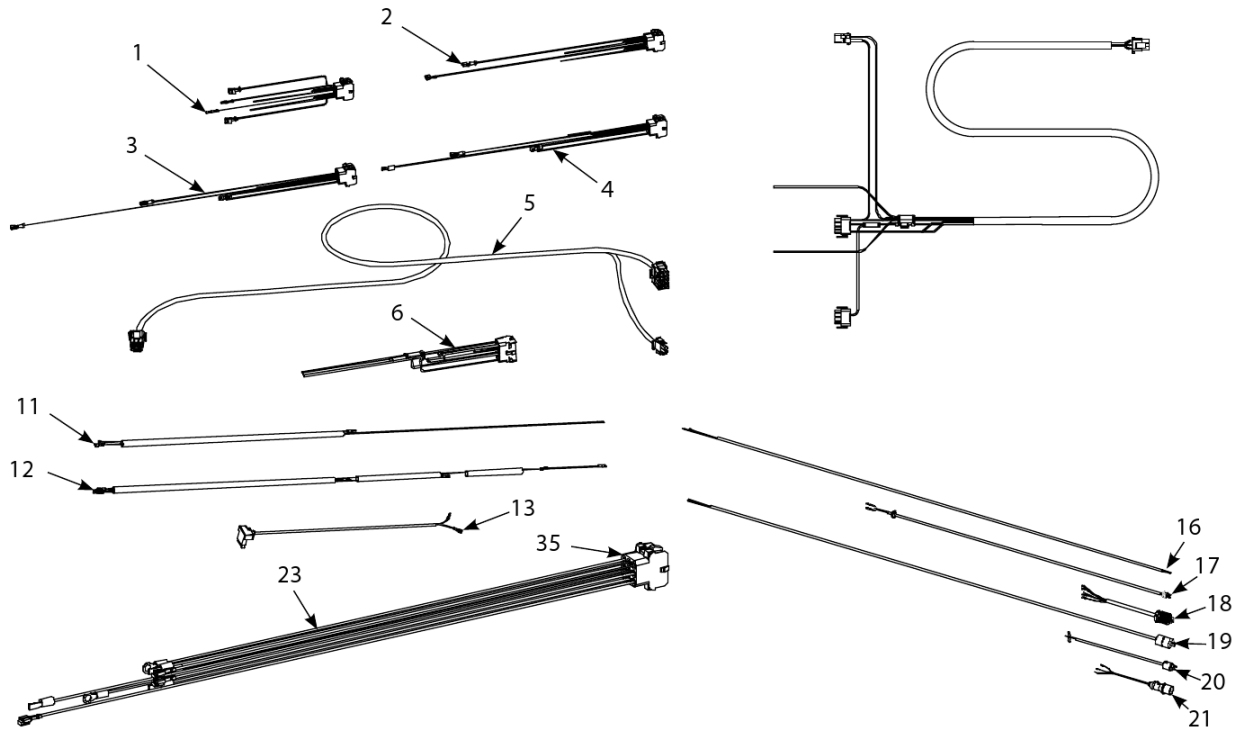
#	PART #	DESCRIPTION	QTY	Note
27a	<a href="#">2109922</a>	Handle, Dual Vat BIH52 Left Drain Valve	1	
28	9015713	Handle, CE Dual Vat BIH152 Left Drain Valve	1	
29	9002503	Handle, CE Dual Vat BIH52 Right Drain Valve	1	
30	9025713	Handle, CE Dual Vat BIH152 Right Drain Valve	1	
30a	<a href="#">2109925</a>	Handle, Dual Vat BIH52 Right Drain Valve	1	
31	<a href="#">8261382</a>	Wingnut	10	
32	<a href="#">9002936</a>	Retainer Nut (FV)Retainer, Drain Valve 0.5-inch Nut FV	1	
33	<a href="#">9002934</a>	Retainer, Dual-Vat Drain Valve NutRetainer, Drain Valve 0.375-inch Nut DV	1	
34	<a href="#">8101165</a>	Washer, Teflon Drain ValveWasher, Teflon DV	1	
34a	<a href="#">8090196</a>	Washer, 0.375-inch SAE FlatWasher, Felt DV	1	
35	8261896	Bracket Kit for Dual Vat Drain Valves Left	1	
35a	8261897	Bracket Kit for Dual Vat Drain Valves Right	1	

### PART NOTES:

- [1] - (for use on MH52 units.)
- [2] - (for use on BIH52 units)
- [3] - for use on MH52 units
- [4] - for use with Items 2 and 3

# MH52 and BIH52 Series Gas Fryers

## Wiring



# MH52 and BIH52 Series Gas Fryers

## Wiring

#	PART #	DESCRIPTION	QTY	Note
1	8068021SP	Plug Assembly - 120V Upper 9-Pin	1	
2	8067494SP	Plug Assembly - 120V Lower 9-Pin	1	
3	8066725SP	Plug Assembly - CE Upper 9-Pin - 230V	1	
4	8066719SP	100/120V Non-CE Export and 230V CE Lower 9-Pin Plug Assembly	1	
5	8101062	Cable, Filter Box Lower 9-Pin Plug to 15-Pin (C2) Connector	1	
6	8072001	Cable, 15-Pin C2 Connector to Filter Terminal Block	1	
7	8066728SP	Pump Motor to Filter Box Wiring Assembly	1	
8	8100366	Strain Relief 9-pin	1	
9	WIR0287SP	120V U.S. Filter Box Internal Wiring	1	
10	WIR0233SP	100-250V CE and Non-CE Export Filter Box Internal Wiring	1	
11	8063941SP	Harness, Full Vat Gas Valve	1	
12	8063940SP	Harness, Dual Vat Gas Valve	1	
13	8069678SP	Plug Assy, CE Gas Valve Plug Assembly, CE Gas Valve	1	
14	8071978	Main Wiring Harness 250/450U.S. and Non-CE Export MH/BIH52 Main Wiring Harness	1	
15	8072168	CE MH/BIH52 Main Wiring Harness	1	
16	8069786	3-Wire without Plug, 450V	1	[1]
17	8065332SP	Electrical Cord - 3-Wire/3-Prong Plug	1	[2]
18	8066083	5-Wire with 4-Prong Twist-Lock Plug, 120V	1	[3]
18a	8071558	5-Wire, 4 pole plug 20A only	1	
19	8071871	3-Wire with 3-Prong Twist-Lock Plug, 125V	1	[4]
20	8069285	3-Wire with 3-Prong Twist-Lock Plug, 250V	1	[5]
21	8071696	3-Wire with 3-Pin Sleeved Plug, 230V	1	[6]
22	8071560	Strain Relief	1	
23	8066077	Plug and Wire Assembly, Transformer Box 9-Pin Female, MH152	1	[3]
23a	8066597	Plug and Wire Assembly, Transformer Box 9-Pin Female, MH152	1	[6]
24	8068706SP	Plug and Wire Assembly, Transformer Box 9-Pin Female, BIH252/MH252, Left Position	1	[3]
25	8068707SP	Plug and Wire Assembly, Transformer Box 9-Pin Female, BIH252/MH252, Right Position	1	[3]
26	8068719	Plug and Wire Assembly, Transformer Box 9-Pin Female, BIH252/MH252, Right Position	1	[6]
27	8068720	Plug and Wire Assembly, Transformer Box 9-Pin Female, BIH252/MH252, Left Position	1	[6]
28	8068708SP1	Plug and Wire Assembly, Transformer Box 9-Pin Female, BIH352/MH352, Left Front Position	1	[3]
29	8068709SP2	Plug and Wire Assembly, Transformer Box 9-Pin Female, BIH352/MH352, Left Rear Position	1	[3]
30	8068710SP3	Plug and Wire Assembly, Transformer Box 9-Pin Female, BIH352/MH352, Right Position	1	[3]
31	8068718 4	Plug and Wire Assembly, Transformer Box 9-Pin Female, BIH352/MH352, Right Position	1	[6]
32	8068721 5	Plug and Wire Assembly, Transformer Box 9-Pin Female, BIH352/MH352, Left Front Position	1	[6]
33	8068722 6	Plug and Wire Assembly, Transformer Box 9-Pin Female, BIH352/MH352, Left Rear Position	1	[6]
34	8068723SP	Plug and Wire Assembly, Transformer Box 9-Pin Female, BIH452/MH452, Right Front Position	1	[6]

# MH52 and BIH52 Series Gas Fryers

## Wiring

#	PART #	DESCRIPTION	QTY	Note
35	8070156	9-Pin Female9-pin connector	1	
36	WIR0288	9-pin connector, 100-240V BIH152	1	[2]
37	WIR0109	9-pin connector, 100-240V MH152	1	[3]
38	WIR0100SP 7	9-pin connector, 100-240V BIH252/MH252	1	[3]
39	WIR0101SP 8	9-pin connector, 100-240V BIH352/MH352	1	[3]
40	WIR0102SP	9-pin connector, 100-240V BIH452/MH452	1	[3]
41	WIR0144	9-pin connector, 230V MH152	1	[6]
42	WIR0141 9	9-pin connector, 230V BIH252/MH252	1	[6]
43	WIR0142 10	9-pin connector, 230V BIH352/MH352	1	[6]
44	WIR0143	9-pin connector, 230V BIH452/MH452	1	[6]

### PART NOTES:

- [1] - Non-CE Export
- [2] - U.S., CE, and Non-CE Export
- [3] - U.S. and Non-CE Export
- [4] - Mexico and South America
- [5] - Far East and Pacific Rim
- [6] - CE