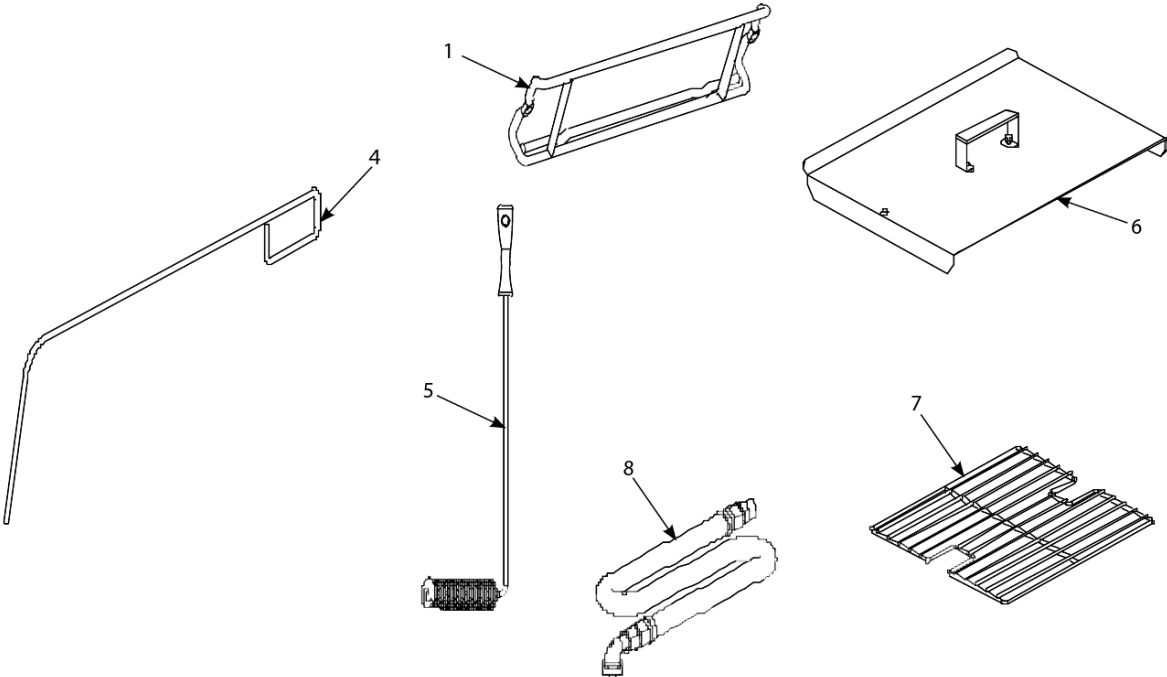


BIGL30 Manual LOV SERIES GAS FRYER

Accessories



BIGL30 Manual LOV SERIES GAS FRYER

Accessories

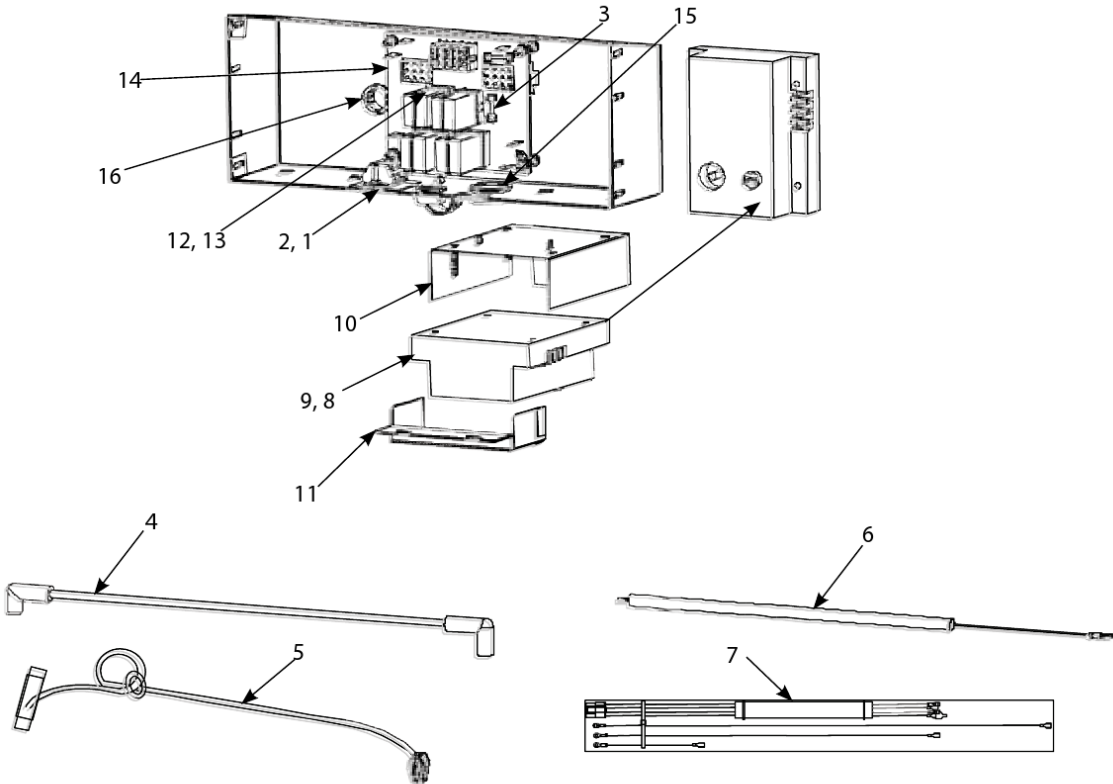
#	PART #	DESCRIPTION	QTY	Note
1	8102793	Hanger - Wireform Basket	1	[1]
2	8090171	Thumbscrew, 0.25-20 x 1.375-inch	1	
2a	8090921-FRY	Spacer, Basket Hanger	1	[2]
3	8090402	Thumbscrew - 0.25"-20 x 0.5"	1	
4	8030197	Fryer's Friend	1	
5	8030429	Brush, Frypot	1	
6	1068930	Cover, Full-Vat Frypot	1	
6a	1068931	Cover, Dual-Vat Frypot	1	[3]
6b	8260993SP	Handle Kit, Frypot Cover	1	[4]
7	8030375	Rack, Full-Vat Basket Support	1	
7a	8030372	Rack, Dual-Vat Basket Support	1	[5]
8	8100478	Gas Line, 1-Inch Dormont Flexible	1	

PART NOTES:

- [1] - with .330-inch mounting holes
- [2] - for Spacer
- [3] - for Dual-Vat Cover
- [4] - includes handle and screws
- [5] - for Dual-Vat Basket Support

BIGL30 Manual LOV SERIES GAS FRYER

Control Box



BIGL30 Manual LOV SERIES GAS FRYER

Control Box

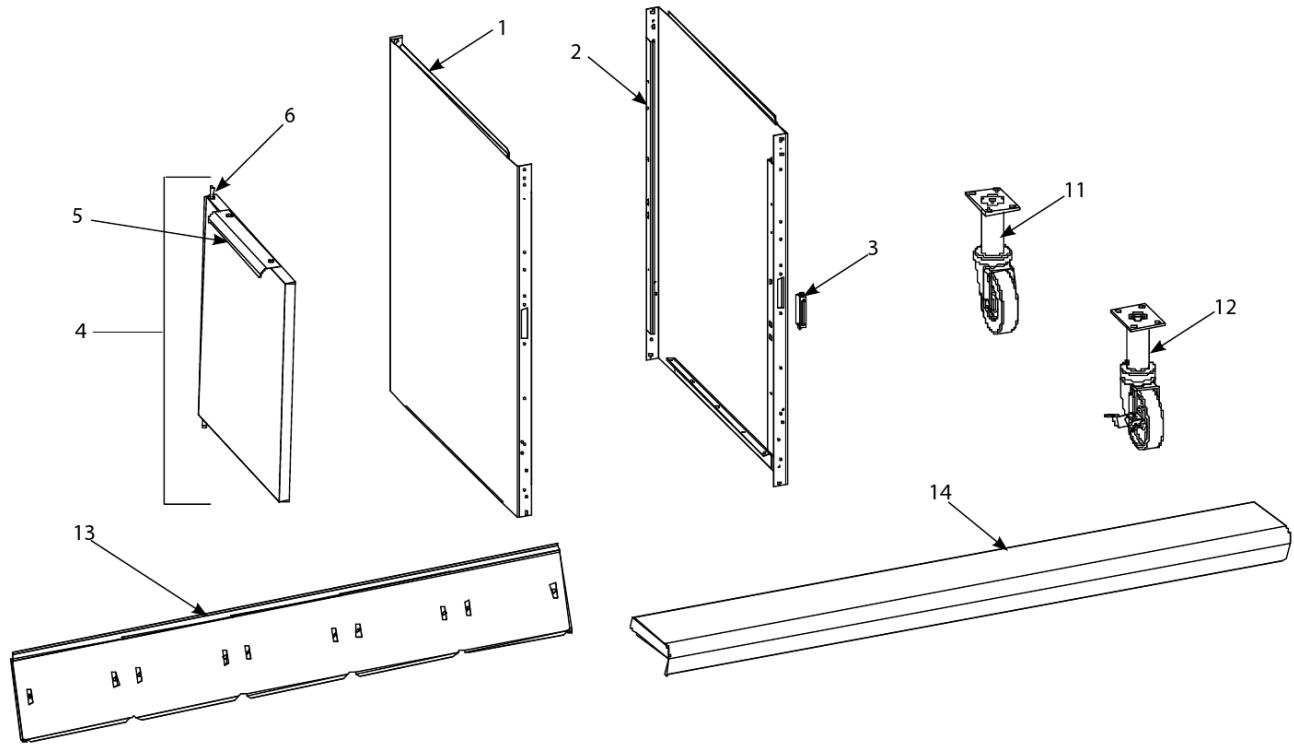
#	PART #	DESCRIPTION	QTY	Note
1	8101164	Block, One-Piece Screwless Terminal	1	
2	8160217	Insulation, Terminal Block Paper	1	
3	8073843	Fuse 3A 250V Domestic	1	[1]
4	8075008	Ignition Cable - 21"	1	[2]
5	8074199	Cable, 20-pin Controller to 15-pin Interface Board – SMT for fryer's with CM 3.5 controller.	1	
6	8066085SP	Wire Assembly, Ignitor	1	
7	1082353SP	Wire Assembly, Ignition Module CE	1	
7a	1081260SP	Wire Assembly, Ignition Module Domestic and Non-CE export, except Australia.	1	
8	8263271	Ignition Module	1	[1]
9	1060531SP	Fuse Assembly, Inline	1	[3]
10	1081094SP	Plate, Ignition Module	1	
11	8242091	Cover, Ignition Module CE	1	
12	8070833	Relay, DPDT 5A 12VDC Latch	1	[1]
13	8102243	Spring, Relay Retaining	1	
13a	8072659	Switch, Momentary	1	[4]
13b	8071683	Relay, 12VDC Secondary Blower Fan to cool frypot	1	
14	8262264	Interface Board Kit SMT	1	[1]
14a	8074343	Wire Harness, SMT Interface Board to Ignition Module	1	
15	8072469	Heyco Bushing - 1" ID	1	
16	8100045	Bushing, .875 Dia. Hole 0.6875"	1	

PART NOTES:

- [1] - Recommended Stock Part
- [2] - Recommended Stock PartCE
- [3] - not used on all models
- [4] - Control Power Reset, only used in far left component box

BIGL30 Manual LOV SERIES GAS FRYER

Doors, Sides, Flue Caps, Top Caps and Casters



BIGL30 Manual LOV SERIES GAS FRYER

Doors, Sides, Flue Caps, Top Caps and Casters

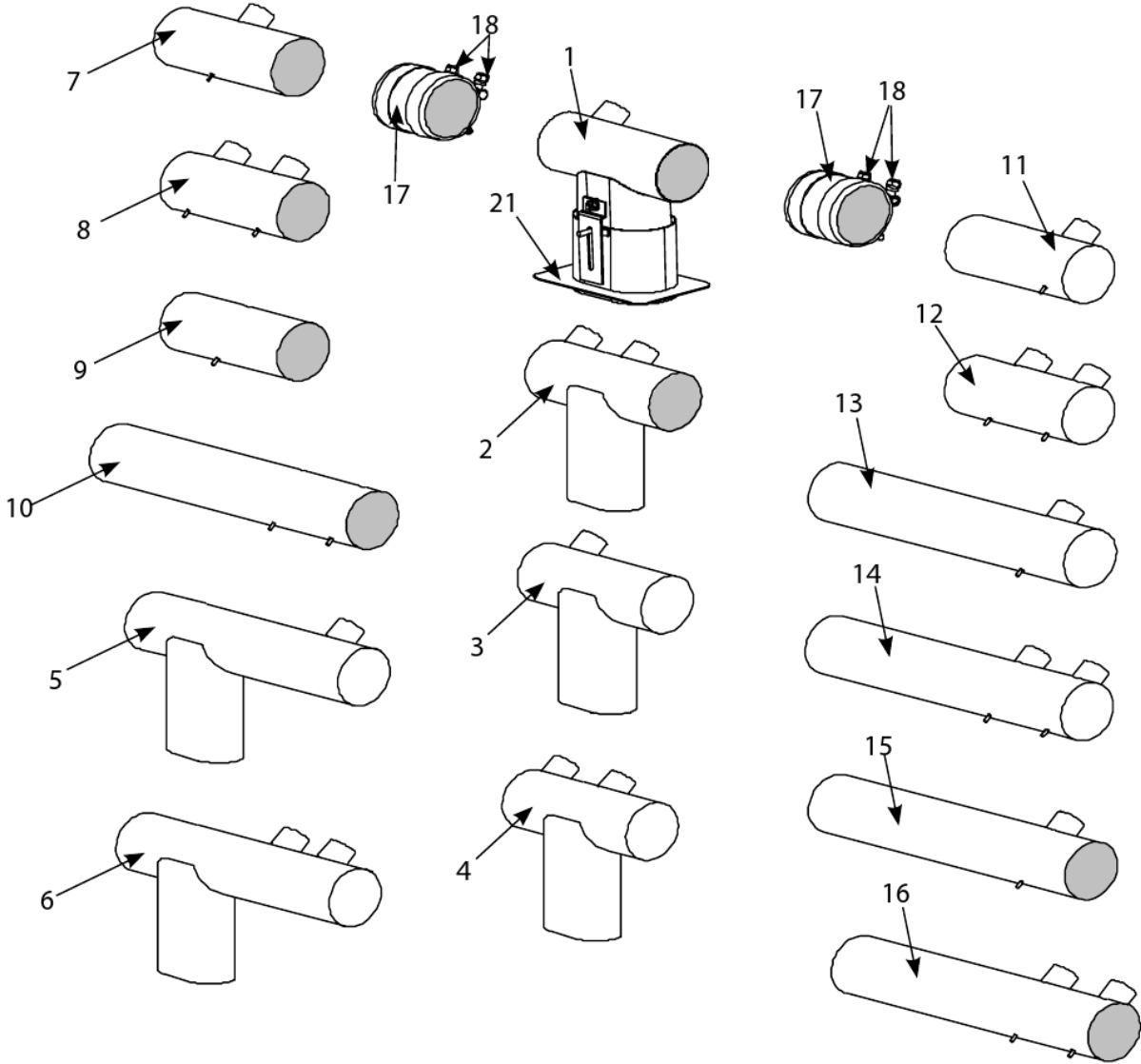
#	PART #	DESCRIPTION	QTY	Note
1	2317908	Side, Standard Cabinet Left SS	1	
2	2327908	Side, Standard Cabinet Right SS	1	
3	8101105	Door Magnet - Vertical	1	[1]
3a	8102346	Door Magnet - Horizontal	1	[2]
4	1064397	Door - Left/Right	1	[3]
4a	1080915	Burner Box Bottom	1	[4]
5	2304960	Handle, Eurolook Door	1	
6	1064067SP	Door Pin Assembly	1	
7	8261343	Spring - Door Pin Hinge	1	
8	2307192	Hinge, Door Lower	1	
9	2108288	Panel, Universal Door	1	
10	2206097	Holder, Manual	1	
11	8100327	Caster 4" without Brake	1	
12	8100944	Caster 3" with Brake	1	
13	8237656	Flue Cap-Stainless Steel ,Two Station Fryer	1	
13a	8236666	Flue Cap-Stainless Steel,Two Station Fryer	1	[5]
13b	2302635	Flue Cap-Stainless Steel,Two Station Fryer	1	[6]
13c	8238927	Flue Cap-Stainless Steel,Three Station Fryer	1	
13d	8236681	Flue Cap-Stainless Steel, Three Station Fryer	1	[5]
13e	2302405	Flue Cap-Stainless Steel , Three Station Fryer	1	[6]
13f	8237658	Flue Cap-Stainless Steel , Four Station Fryer	1	
13g	8236680	Flue Cap-Stainless Steel, Four Station Fryer	1	[5]
13h	2302636	Flue Cap-Stainless Steel, Four Station Fryer	1	[6]
13i	8238064	Flue Cap-Stainless Steel , Five Station Fryer	1	
13j	8238100	Flue Cap-Stainless Steel , Five Station Fryer	1	[5]
13k	2302637	Flue Cap-Stainless Steel , Five Station Fryer	1	[6]
14	8241913	Top Cap (Cap for 5-station fryer shown), Two Station Fryer	1	
14a	8236635	Top Cap (Cap for 5-station fryer shown),Three Station Fryer	1	
14b	8236636	Top Cap (Cap for 5-station fryer shown),Four Station Fryer	1	
14c	1083030	Top Cap (Cap for 5-station fryer shown),Five Station Fryer	1	
15	8237659	Cap-N-Splash Assemblies, Two Station Fryer	1	
15a	8237660	Cap-N-Splash Assemblies, Three Station Fryer	1	
15b	8237661	Cap-N-Splash Assemblies, Four Station Fryer	1	
15c	8238101	Cap-N-Splash Assemblies, Five Station Fryer	1	

PART NOTES:

- [1] - vertical
- [2] - verticalfor horizontal over filter pan
- [3] - Left shown – move handle to bottom for right
- [4] - Left shown – move handle to bottom for right for Door w/ Manual Holder
- [5] - for Aluminized Steel
- [6] - for Hood Strip

BIGL30 Manual LOV SERIES GAS FRYER

Drain Tube Sections and Associated Parts



BIGL30 Manual LOV SERIES GAS FRYER

Drain Tube Sections and Associated Parts

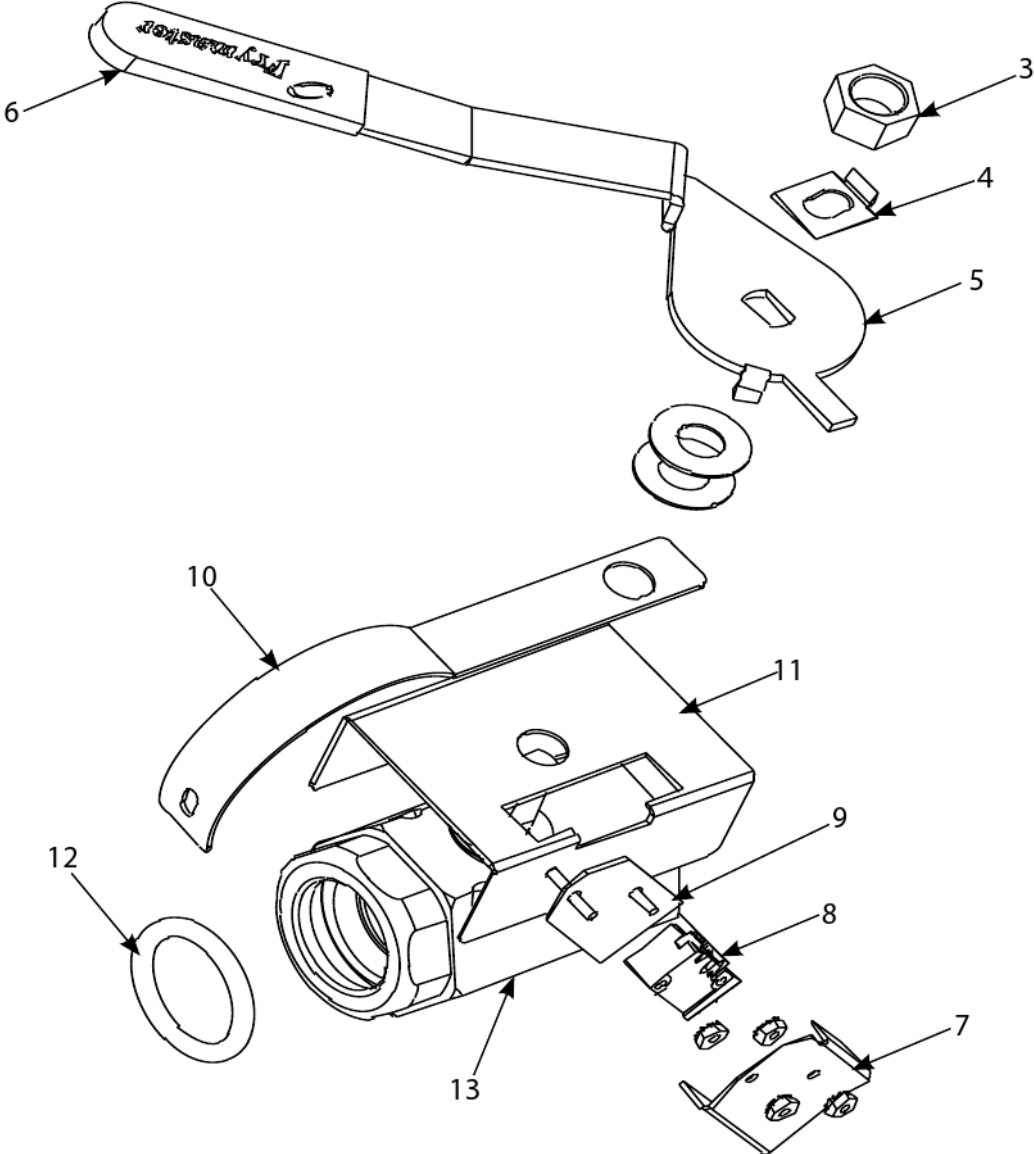
#	PART #	DESCRIPTION	QTY	Note
1	8238135	Drain Tube, Dump Full-Vat Left Closed/Right End Open	1	
2	8238136	Drain Tube, Dump Dual-Vat Left Closed/Right End Open	1	
3	8238137	Drain Tube, Dump Full-Vat Left Closed Both Ends	1	
4	8238138	Drain Tube, Dump Dual-Vat Left Closed Both Ends	1	
5	8238139	Drain Tube, Dump Full-Vat Left Closed Both Ends	1	
5a	8238130	Drain Tube, Dump Full-Vat Left Closed/Right End Open	1	
6	8237943	Drain Tube, Dump Dual-Vat Left Closed Both Ends	1	
6a	8238131	Drain Tube, Dump Dual-Vat Left Closed/Right End Open	1	
7	8234643	Drain Tube, Full-Vat, Short, Open Both Ends	1	
8	8237905	Drain Tube, Dual-Vat, Short, Open Both Ends	1	
9	8122336	Drain Tube - 3.0" x 8.0" L	1	
10	8103551	Drain Tube, Long, Open Both Ends	1	
11	8234625	Drain Tube, Short Full-Vat Left Open/Right End Closed	1	
12	8237906	Drain Tube, Short Dual-Vat Left Open/Right End Closed	1	
13	8234639	Drain Tube, Long Full-Vat Left Open/Right End Closed	1	
14	8237908	Drain Tube, Long Dual-Vat Left Open/Right End Closed	1	
15	8234641	Drain Tube, Long Full-Vat Open Both Ends	1	
16	8237907	Drain Tube, Long Dual-Vat Open Both Ends	1	
17	8160772	Sleeve	1	
18	8090969	Clamp 3"	1	
19	8160630	Cap, Vinyl Black	1	
20	8111071	Tube, 0.25-inch OD Teflon Manifold Vent	1	[1]
21	8237915	Guard, Filter Lid Splash	1	

PART NOTES:

[1] - sold by the foot

BIGL30 Manual LOV SERIES GAS FRYER

Drain Valves and Associated Parts



BIGL30 Manual LOV SERIES GAS FRYER

Drain Valves and Associated Parts

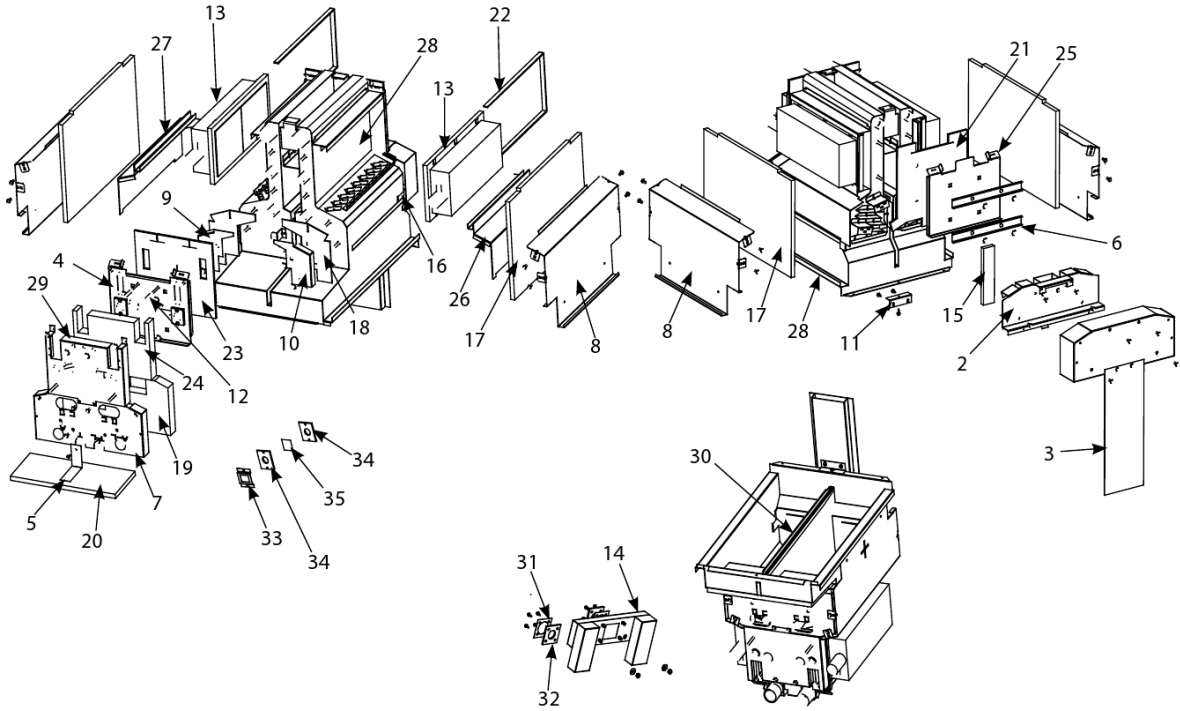
#	PART #	DESCRIPTION	QTY	Note
1	1082509	Valve, Assy Drain FV/DV Left with Filter and Auto Top Off	1	
2	1082510	Valve, Assy Drain FV/DV Right with Filter and Auto Top Off	1	
3	8090540	Nut, Lock 0.5-inch-13 Hex 2-Way ZP	1	
4	9002936	Retainer Nut (FV)	1	
5	2309433	Handle, Drain Valve FV or DV Left	1	
5a	2309434	Handle, Drain Valve DV Right	1	
6	8140047	Cap, Vinyl Red	1	
7	9012348	Cover, Dual-Vat Left Drain Safety Switch	1	
8	8074936	Switch, Micro Gold Plated	1	
9	8160220	Insulation, Microswitch	1	
10	2006496	Support, Drain Tube	1	
11	1082506	Bracket Assy, Drain Switch FV and DV Left	1	
11a	1082537	Bracket Assy, Drain Switch DV Right	1	
12	8160135PK	Round Drain O-Ring	1	
13	8101018	Drain Valve, 1.25", Left	1	
14	8075159	Harness, Drain FV	1	[1]
15	8075160	Harness, Drain DV	1	[1]

PART NOTES:

[1] - connects from drain switch to rear of M3000 controller only

BIGL30 Manual LOV SERIES GAS FRYER

Dual-Vat Frypot Components



BIGL30 Manual LOV SERIES GAS FRYER

Dual-Vat Frypot Components

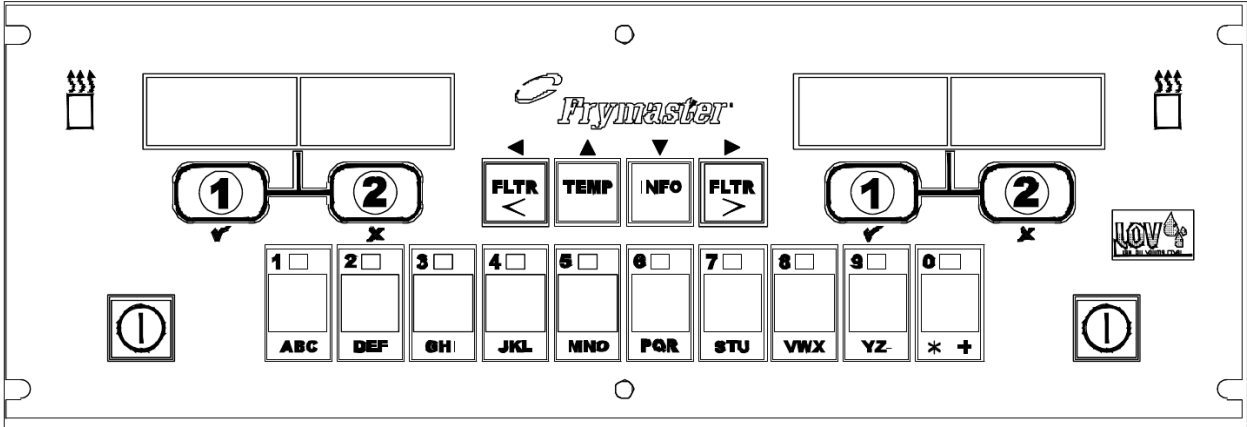
#	PART #	DESCRIPTION	QTY	Note
1	1084157SP	Frypot Assembly, Manual LOV Dual-Vat	1	
2	1067690	Plate Assy, DV Collector	1	
3	1082898	Flue Assembly, Dual-Vat	1	
4	1084424	Cover assembly, GL30 DV Front Combustion	1	
5	2202920	Brace, Foam Deck Insulation	1	
6	2202972	Brace, Dual-Vat Rear Insulation	1	
7	2206530	Retainer, Dual-Vat Upper Insulation	1	
8	2207916	Retainer, Dual-Vat Outer Frypot	1	
9	8242167	Dual-Vat RH Upper W/A Seal	1	
10	8242166	Dual-Vat LH Upper W/A Seal	1	
11	9300818	Bracket, Flue to Pot	1	
12	8100476	Spacer .250 x 1 187	1	
13	8103435	Burner, Universal Replacement	1	[1]
14	8238589	Plenum, Dual-Vat	1	
14a	8237582	Plenum, Dual-Vat	1	[2]
14b	8103743	Fitting, 0.125 NPT x 0.1875 Barb	1	[3]
14c	8262596	Insulation Kit, Complete Dual-Vat	1	[1]
14d	8262593	Insulation Kit, Burner Dual-Vat	1	
15	8120688	Insulation, Flue Collection	1	
16	8120706	Insulation, Upper Burner Rail	1	
17	8121029	Insulation, Combustion Chamber Side	1	
18	8160741	Insulation, Dual-Vat LH/RH Front Seal	1	
19	8160743	Insulation, Dual-Vat Front Upper	1	
20	8160746	Insulation, Foam Deck	1	
21	8160838	Insulation, Dual-Vat Rear Lower	1	
22	8160900	Insulation, Burner	1	
23	8160977	Insulation, Dual-Vat Lower Inner Front	1	
24	8160979	Insulation, Dual-Vat Outer Front	1	
25	8238176	Back, Dual-Vat Lower Combustion Chamber	1	
26	8238195	Retainer, Dual-Vat LH Upper Burner	1	
27	8238196	Retainer, Dual-Vat RH Upper Burner	1	
28	8238476SP	Frypot, Dual-Vat	1	
29	8238576	Retainer, Dual-Vat Outer Front	1	
30	8241796	Riser W/A Dual-Vat Pot	1	
31	9001049	Retainer, Plenum Gasket	1	
32	8160057	Gasket, Plenum	1	
33	9001031	Retainer, Burner Sight Glass	1	
34	8120356	Insulation, Burner Sight Glass	1	
35	8140048SP	Glass, Burner Sight	1	

PART NOTES:

- [1] - Recommended Stock Part
- [2] - for Non-CE units
- [3] - used on plenum

BIGL30 Manual LOV SERIES GAS FRYER

Electronics and Electrical Components



BIGL30 Manual LOV SERIES GAS FRYER

Electronics and Electrical Components

#	PART #	DESCRIPTION	QTY	Note
1	1085589	Replacement Manual LOV M3000 Controller Gas	1	[1]
2	8074403	Speaker SMT	1	

PART NOTES:

[1] - Recommended Stock Part

BIGL30 Manual LOV SERIES GAS FRYER

Fasteners

BIGL30 Manual LOV SERIES GAS FRYER

Fasteners

#	PART #	DESCRIPTION	QTY	Note
1	8090429	Bolt - 0.25"- 20 x 2.00" Hex Head ZP Tap	1	
2	8261389	Screw - 0.25"-20 x 0.75" Hex Head ZP	1	
3	8090953	Bolt, 0.25-20 x 0.75-inch Hex Head	1	
4	8071926	Bushing, .875-inch Split	1	
5	8090514	Cap Screw - 0.3125" 18 NC Hex	1	
6	8090448	Clip, Tinnerman	1	
7	8261351	Nut Retainer, 0.25-20 Std. Fluecap	10	[1]
8	8090171	Thumbscrew, 0.25-20 x 1.375-inch	1	[1]
9	8261366	Nut - #4-40 Keps Hex	1	
10	8261358	Nut, 6-32 Keps Hex	1	
11	8090247	Nut - #8-32 Keps Hex	1	
12	8090052	Nut, 10-24 Hex	1	
13	8261376	Nut - #10-32 Keps Hex	1	
14	8090766	Nut, 10-32 Keps Hex SS	1	
15	8090581	Nut, 0.5 NPT Locking	1	
16	8090020	Nut Cap 10-24 NP	1	
17	8261372	Nut Grip 0.25-inch 0.25-20 Hex NP	1	
18	8261368	Nut - 0.25-20 Serrated Flange	1	
19	8090535	Nut, "T" 0.25-inch-20 x 0.4375 SS	1	
20	8090495	Nut, 0.25-inch - 20 Press	1	
21	8090804	Nut, 0.25- inch - 20 Keps Hex	1	
22	8261362	Nut - 0.25"-20 Hex	10	
23	8090540	Nut, Lock 0.5-inch-13 Hex 2-Way ZP	1	
24	8090656	Screw, 4-40 X 0.375-inch Slotted Round Head	1	
25	8261359	Screw - #4-40 x 0.75" Slotted Round Head	1	
26	8261365	Screw, 6-32 x 0.375-inch Slot Head	1	
27	8090098	Screw, 6-32 x 1.25-inch Slotted Round Head	1	
28	8090357	Screw, 6 x 0.375-inch Phillips Head NP	1	
29	8090359	Screw, 8 x 0.25-inch Hex Washer Head	1	
30	8090360	Screw, 8 x 0.375-inch Hex Washer Slot Head	1	
31	8261371	Screw - #8 x 0.5" Hex Head ZP	1	
32	8090364	Screw - #8 x 0.625" Hex Washer Head ZP	1	
33	8090441	Screw, 8 x 1.5-inch Hex Washer Head	1	
34	8090362	Screw, 8 x 1.25-inch Hex Washer Head Drill Point	1	
35	8090518	Screw, 8-32 x 0.375-inch Hex Washer Slotted Head SS	1	
36	8090104	Screw, 8-32 x 0.5-inch Slotted Head ZP	1	
37	8261363	Screw - #8-32 x 0.5" NP	1	
38	8261360	Screw - #10-24 x 0.3125" Round Slot Head ZP	1	
39	8090123	Screw - #10 x 0.75" - Slot Head	1	
40	8261330	Screw, 10-32 x 0.375-inch Slot Head SS	1	
41	8091003	Screw - #10-32 x 0.375" Hex Trim Head SS	1	
42	8090938	Screw, 10-32 x 0.625-inch Philips Truss Head	1	
43	8261375	Screw - #10-32 x 0.75" - Hex Trim Head SS	1	
44	8091000	Screw - #10-32 x 1.25" - Hex	1	
45	8261374	Screw - #10 x 0.5" Hex Head	1	
46	8090266	Screw, 10 x 0.5-inch Phillips Head ZP	1	

BIGL30 Manual LOV SERIES GAS FRYER

Fasteners

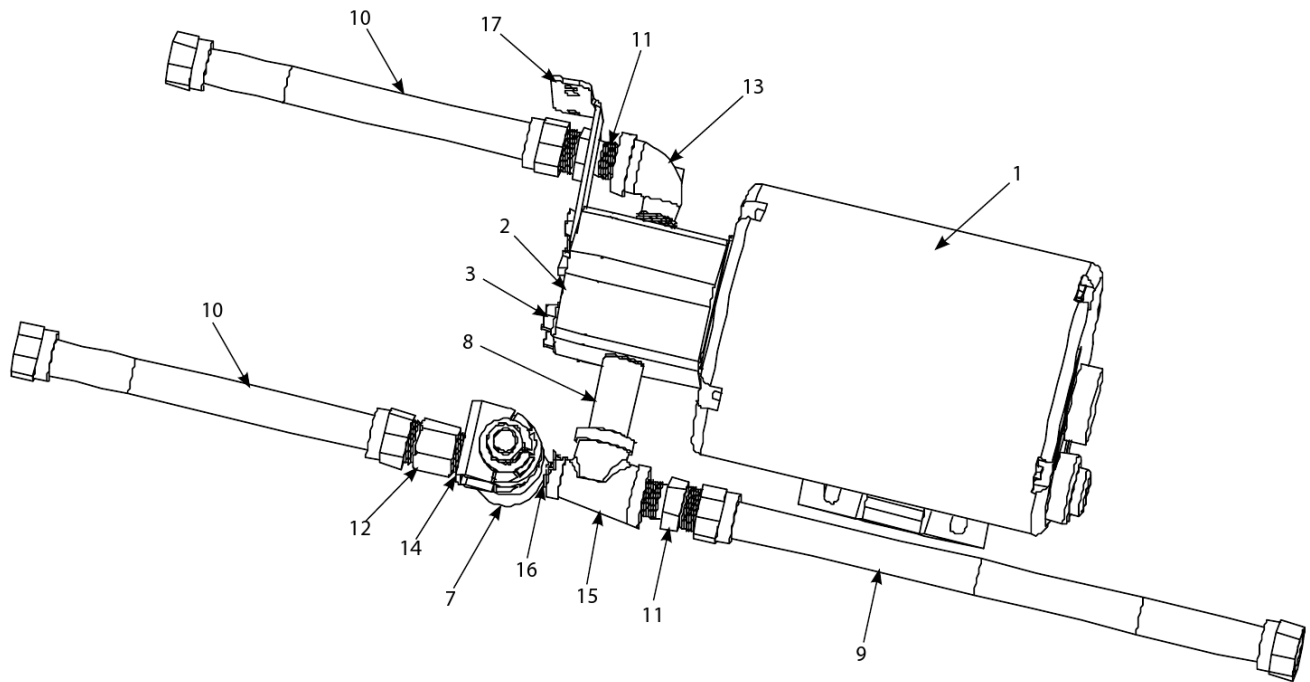
#	PART #	DESCRIPTION	QTY	Note
47	8090500	Screw, 10 x 0.5-inch Hex Washer Head 410 SS	1	
48	8090475	Screw - #10-32 x 0.3125" Hex	1	
49	8090123	Screw - #10 x 0.75" - Slot Head	1	
50	8261389	Screw - 0.25"-20 x 0.75" Hex Head ZP	1	
52	8261346	Spacer, Ignition Module	10	
53	8102763	Spacer, Interface Board	1	
54	8261340	Spacer, .25-inch x 1.187-inch	10	
55	8100500	Spacer, .25-inch x .9375-inch	1	
56	8102023	Spacer, .25-inch x .110-inch	1	[2]
57	2006721	Plate, Strain Relief	1	
58	8261337	Tab, 0.25-inch Terminal	5	
59	8070070	Terminal, Ground Lug	1	
60	8071948	Ty-Wrap	1	
61	8071359	Mount, Ty-Wrap	1	
62	8261383	Washer, 0.75-inch O.D. x 0.25-inch I.D. ZP	1	
64	8090582	Washer 0.5 NPT Locking	1	
65	8090184	Washer, #10 LK ZP	1	
66	8090190	Washer, .625 X .275 X 40 Flat SS	1	
67	8090191	Washer, Lock 0.25 Spring ZP	1	
68	8090193	Flat Washer - 0.25" Nylon	1	
69	8090194	Flat Washer - 0.3125" ZP	1	
70	8090196	Washer, 0.375-inch SAE Flat	1	
71	8101165	Washer, Teflon Drain Valve	1	

PART NOTES:

- [1] - for use on standard fluecap
- [2] - Used on drain valves.

BIGL30 Manual LOV SERIES GAS FRYER

Filter Pump, Motor and Associated Components



BIGL30 Manual LOV SERIES GAS FRYER

Filter Pump, Motor and Associated Components

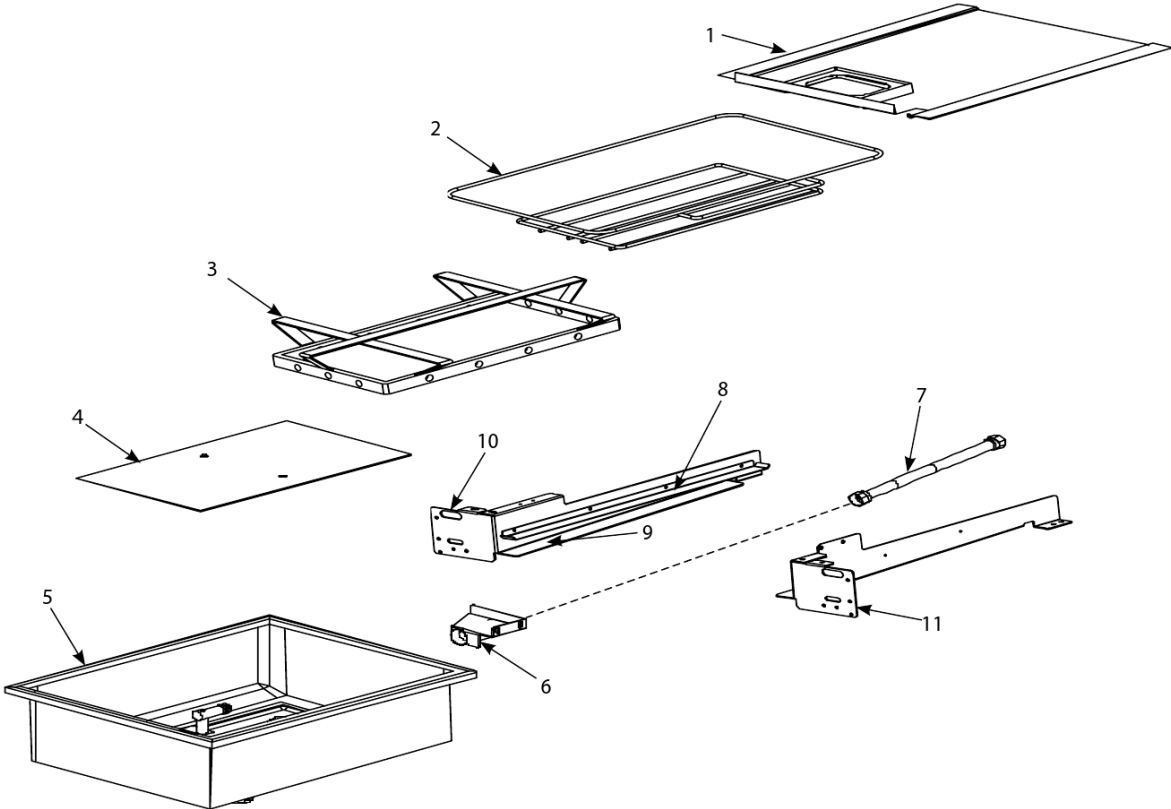
#	PART #	DESCRIPTION	QTY	Note
1	8261785	Motor and Gasket Kit - 100V/50-60 Hz	1	
1a	8261712	Motor and Gasket Kit - 115V/50-60 Hz	1	
1b	8261756	Motor and Gasket Kit - 208V/50-60 Hz	1	
1c	8261270	Motor and Gasket Kit - 220-240V/50-60 Hz	1	[1]
1d	8261755	Motor and Gasket Kit - 250V/50-60 Hz	1	
2	8261264	Pump Kit - 4 GPM	1	[2]
2a	8160093	Gasket - Pump/Motor	1	
3	8090514	Cap Screw - 0.3125" 18 NC Hex	1	[3]
4	80711973	Pump Seal Kit - Viking	1	
5	1080649SP	Heater Strip Assembly - 100-120V/25W - 18"	1	
6	1065912SP	Heater Strip Assembly -208-250V/25W - 18"	1	
7	1067598SP	Solenoid Valve - 0.25" NPT	1	
8	8130265	Nipple - 0.5" x 2.5" NP	1	
9	8101057	Flexline - Oil Return - 13" L	1	
10	8101067	Flexline - Oil Return - 0.625" OD x 8.5" L	1	
11	8101668	Male Adaptor - 0.625" OD x 0.5"	1	
12	8101669	Female Adaptor - 0.875" OD x 0.5"	1	
13	8130165	Elbow - 0.5" x 90° NPT Street	1	
14	8130304	Bushing, 0.5-inch NPT to 0.25-inch NPT Flush Reducing	1	
15	8130530	Tee, Reducing 0.5-inch x 0.25-inch x0.5-inch	1	
16	8130838	Nipple - 0.25" NPT	1	
17	2206191	Brace	1	
18	1061020SP	Wiring, Pump	1	

PART NOTES:

- [1] - Recommended Stock Part
- [2] - includes gasket and cap screws below
- [3] - Connects pump to motor.

BIGL30 Manual LOV SERIES GAS FRYER

Filtration System Components



BIGL30 Manual LOV SERIES GAS FRYER

Filtration System Components

#	PART #	DESCRIPTION	QTY	Note
1	8238028	Lid, Filter Pan	1	
2	8103276	Crumb Tray, Standard Size Filter Pan 3, 4 and 5 Vat	1	
3	8103268	Hold-Down Ring for Pad 16.56 x 22.32, Standard Size Pan 3, 4, and 5 Vat	1	
4	8122025	SanaGrid Filter Screen	1	
5	1083999SP	Pan, Filter	1	
5a	8130568	Plug, 0.125" SS NPT, Sq-Head	2	[1]
5b	8261392	O-Ring	5	[2]
6	8236458	Suction Tube Assembly	1	
7	8101067	Flexline - Oil Return - 0.625" OD x 8.5" L	1	
8	2308373	Rail, Upper Filter Pan Left/Right	1	
9	2308372	Rail, Lower Filter Pan Left/Right	1	
10	8238030	Support, Left Filter Pan	1	
11	2208368	Support, Right Filter Pan 3,4 and 5 battery	1	

PART NOTES:

- [1] - used with Item 5; two required
- [2] - Recommended Stock Partused with Item 5

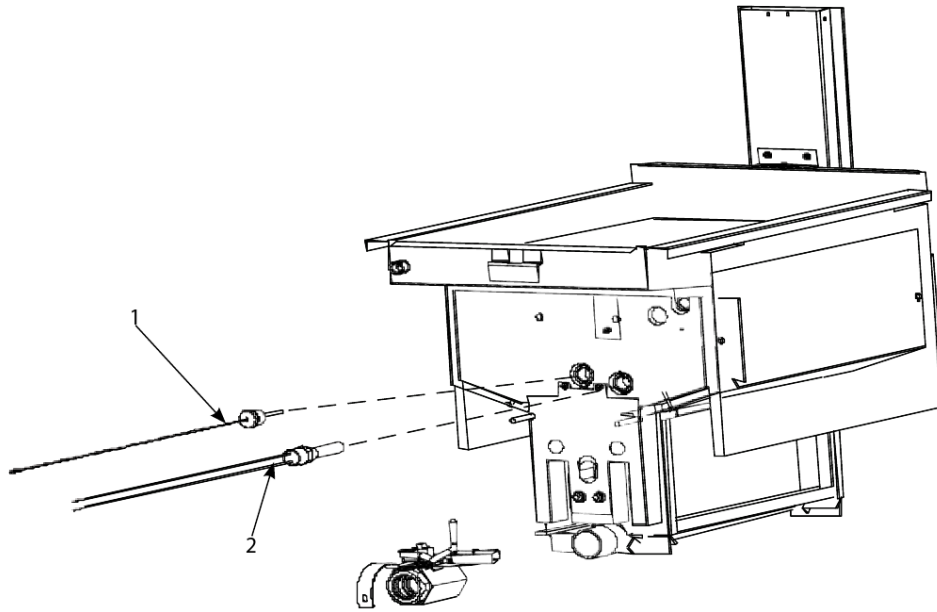
BIGL30 Manual LOV SERIES GAS FRYER

Frypot Assemblies and Associated Parts

#	PART #	DESCRIPTION	QTY	Note
1	8238470	Frypot FV	1	
2	8238476SP	Frypot, Dual-Vat	1	
2a	8241796	Riser W/A Dual-Vat Pot	1	
3	8130022	Nipple, 0.5" Close NPT BM	1	
4	9012772	Handle, Valve Rear Flush LT	1	
5	9022772	Handle, Valve Rear Flush RT	1	
5a	9002935	Retainer, Nut Oil Return Valve	1	
6	8102201	Valve, Return 0.5" Ball LT	1	
7	8101067	Flexline - Oil Return - 0.625" OD x 8.5" L	1	
8	8101668	Male Adaptor - 0.625" OD x 0.5"	1	
9	8130062	Elbow - 0.5" BM x 90°	1	
10	8130298	Nipple, 0.5" x 2.00" NPT BM Pipe	1	
11	8130908	Adapter, 0.5" NPT 90°	1	
12	2208540	Cover, Oil Return Microswitch	1	
13	8160220	Insulation, Microswitch	1	
14	8074101	Switch, Micro	1	
15	8130087	Nipple, 0.5-inch NPT x 1.5-inch (3.8 cm)	1	

BIGL30 Manual LOV SERIES GAS FRYER

Frypot Probes and Thermostats



BIGL30 Manual LOV SERIES GAS FRYER

Frypot Probes and Thermostats

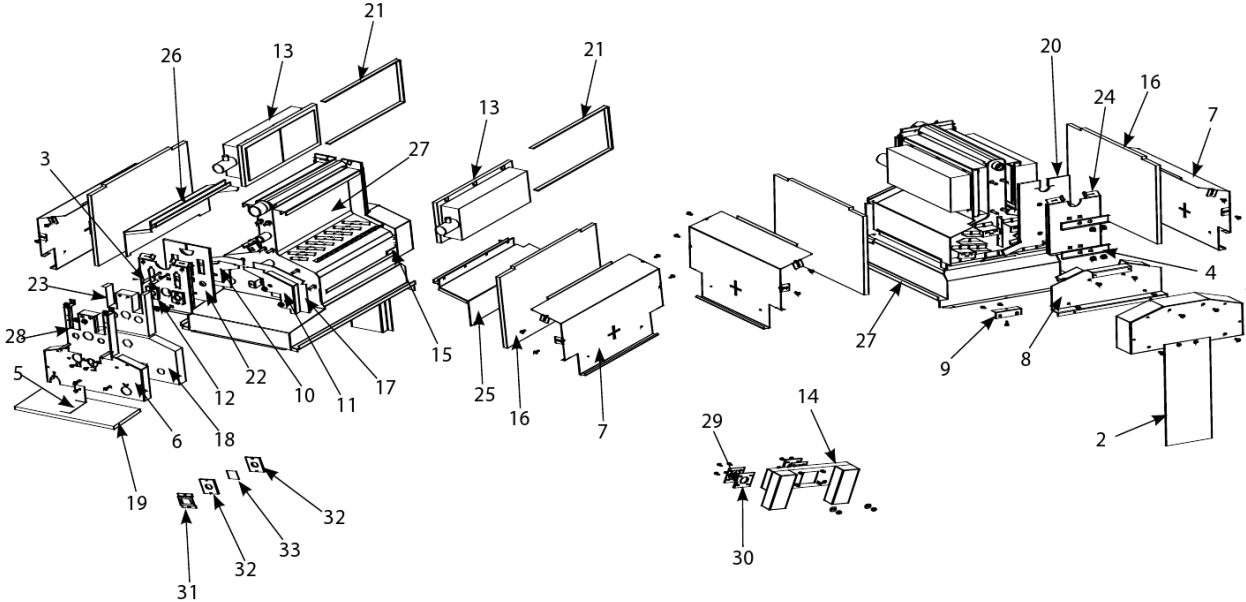
#	PART #	DESCRIPTION	QTY	Note
1	8262900	Temperature Probe	1	[1]
2	8261177	Thermostat, High-Limit 425°F/218°C	1	[1]

PART NOTES:

[1] - Recommended Stock Part

BIGL30 Manual LOV SERIES GAS FRYER

Full-Vat Frypot Components



BIGL30 Manual LOV SERIES GAS FRYER

Full-Vat Frypot Components

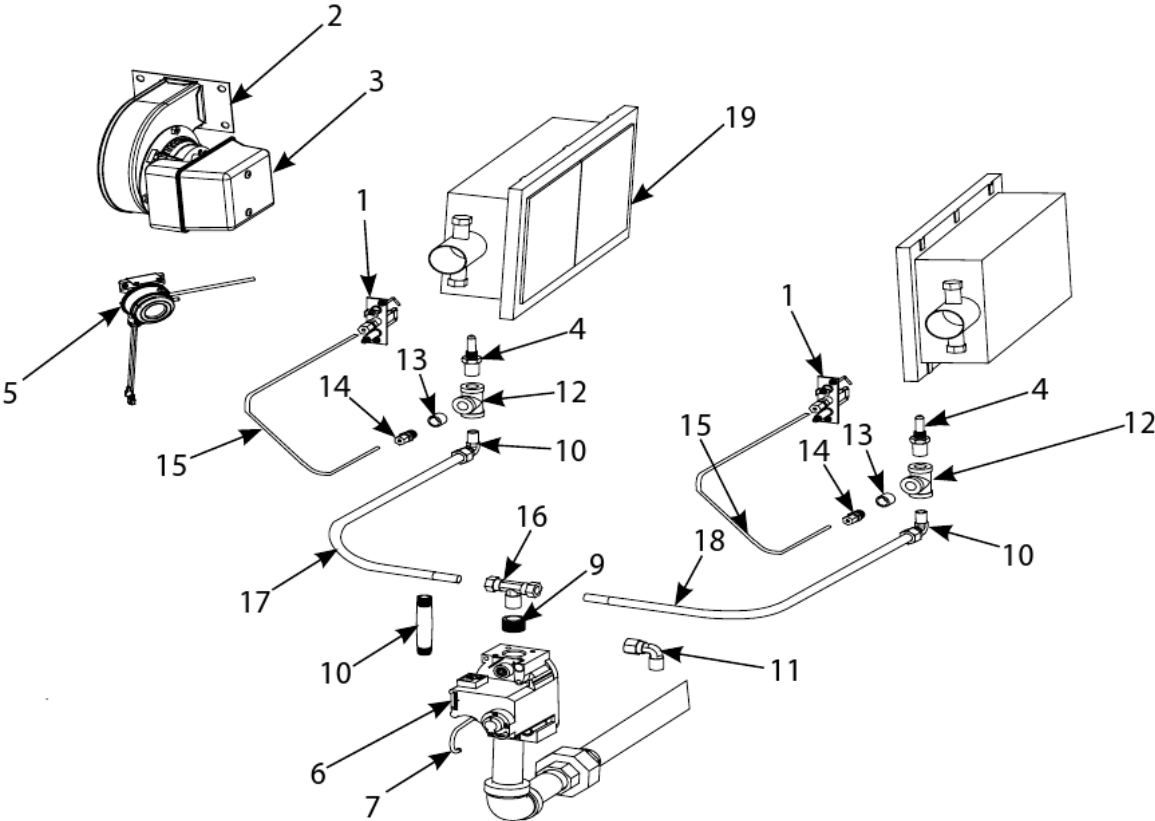
#	PART #	DESCRIPTION	QTY	Note
1	1084156SP	Frypot Assembly, Manual LOV Full-Vat	1	
2	1082897SP	Flue Assembly, Full-Vat	1	
3	1084423SP	Cover assembly, GL30 FV Front Combustion	1	
4	2202851	Brace, FV Rear Insulation	1	
5	2202920	Brace, Foam Deck Insulation	1	
6	2206529	Retainer, Full-Vat Upper Insulation	1	
7	2207831	Retainer, Outer Frypot	1	
8	2306960	Plate, FV Collector Mounting	1	
9	9300818	Bracket, Flue to Pot	1	
10	8242165	Front Upper Seal Weldment, FV RH	1	
11	8242164	Front Upper Seal Weldment, FV LH	1	
12	8261340	Spacer, .25-inch x 1.187-inch	1	
13	8103435	Burner, Universal Replacement	1	[1]
14	8238590	Plenum, Full-Vat	1	
14a	8238574	Plenum, Full-Vat	1	[2]
14b	8103743	Fitting, 0.125 NPT x 0.1875 Barb	1	[3]
14c	8262592	Insulation Kit, Burner Full-Vat	1	[1]
14d	8262595	Insulation Kit, Complete Full-Vat	1	
15	8120706	Insulation, Upper Burner Rail	1	
16	8121029	Insulation, Combustion Chamber Side	1	
17	8160731	Insulation, FV LH/RH Front Seal	1	
18	8160733	Insulation, FV Front Upper	1	
19	8160746	Insulation, Foam Deck	1	
20	8160837	Insulation, FV Rear Lower	1	
21	8160900	Insulation, Burner	1	
22	8160976	Insulation, FV Lower Inner Front	1	
23	8160978	Insulation, FV Outer Front	1	
24	8238175	Back, Lower Full-Vat Combustion Chamber	1	
25	8238193	Retainer, FV LH Upper Burner	1	
26	8238194	Retainer, FV RH Upper Burner	1	
27	8238470	Frypot FV	1	
28	8238575	Cover GL30 FV Lower Outer	1	
29	9001049	Retainer, Plenum Gasket	1	
30	8160057	Gasket, Plenum	1	
31	9001031	Retainer, Burner Sight Glass	1	
32	8120356	Insulation, Burner Sight Glass	1	
33	8140048SP	Glass, Burner Sight	1	

PART NOTES:

- [1] - Recommended Stock Part
- [2] - for Non-CE units
- [3] - used on plenum

BIGL30 Manual LOV SERIES GAS FRYER

Gas Valves, Supply and Combustion System Components



BIGL30 Manual LOV SERIES GAS FRYER

Gas Valves, Supply and Combustion System Components

#	PART #	DESCRIPTION	QTY	Note
1	8263053	Ignitor, Natural Gas G20, G25	1	[1]
1a	8160059	Gasket, Ignitor	1	[2]
1b	8262994	Ignitor, Propane G30, G31	1	
1c	8160981	Gasket, Ignitor	1	[2]
2	1081960	Blower Assembly, 230V 50HZ RH CE (Dual Vat) Combustion Air	1	[3]
2a	1081959	Blower Assembly, 230V 50HZ RH CE (Full Vat)	1	
3	8160554	Cover, Blower Motor	1	[4]
3a	8071067	2-Pin Male	1	
4	8103861-FRY	Orifice, Burner, 3.26 mm Natural Gas G20, G25	1	[5]
4a	8103865	Orifice, Burner, 1.95mm Propane/Butane G30, G31 Australia Only	1	[5]
5	1083346	Switch, Air Pressure Assembly FV CE and Export	1	
5a	8122226	Switch, Air Pressure Assembly FV Australia	1	[6]
5b	1081455SP	Switch, Air Pressure Assembly DV CE and Export	1	
5c	8122141	Switch, Air Pressure Assembly DV Australia	1	[6]
6	8261122	Valve, Non-CE, Natural Gas G20, G25	1	
6a	8261120	Valve, Non-CE, Kit Natural Gas w/ flexlines and hardware	1	
6b	8261123	Valve, Non-CE, Propane Gas G30, G31	1	
6c	8261121	Valve, Non-CE, Kit, Propane Gas w/ flexlines and hardware	1	
7	8100691	Tube, 0.125-inch Vent	1	
8	8069678SP	Plug Assy, CE Gas Valve	1	
9	8130304	Bushing, 0.5-inch NPT to 0.25-inch NPT Flush Reducing	1	
10	8130700	Nipple, 0.25-inch NPT x 3.00-inch	1	
11	8130302	Elbow, 0.25-inch Male NPT to 0.375-inch Tube 90°	1	[7]
12	8130449	Tee, 0.25 -inch NPT Brass	1	
13	8103147	Bushing, 0.75-inch OD x 0.5 -inch ID NPT Flush	1	
14	8130340	Adapter, 0.125-inch NPT to 0.125-inch Tube	1	
15	8110756	Enrichment Tube, 8.5-inch	1	
16	8130301-FRY	Tee, 0.25-inch Male NPT to 0.375-inch Tube	1	
17	8101353	Gas Line, 0.375-inch OD X 9-inch SS Flexible	1	[8]
18	8101355	Gas Line, 0.375-inch OD X 15-inch SS Flexible	1	
19	8103435	Burner, Universal Replacement	1	
20	8262965	Conversion Kit, Natural Gas FV G20, G25 to Propane/ButaneG30,G31	1	
21	8262966	Conversion Kit, Natural Gas DV G20, G25 to Propane/ButaneG30,G31	1	
22	8262967	Conversion Kit, Propane/Butane FVG30, G31 to Natural Gas G20,G25	1	
23	8262968	Conversion Kit, Propane/Butane DVG30, G31 to Natural Gas G20,G25	1	
24	8262969	Conversion Kit, Natural Gas FV G20, G25 to Prop/ButaneG30,G31 Aust /CE	1	
25	8262970	Conversion Kit, Natural Gas DV G20, G25 to Prop/ButaneG30,G31 Aust/CE	1	
26	8262971	Conversion Kit, Prop/Butane FVG30, G31 to Natural Gas G20,G25 Aust /CE	1	
27	8262972	Conversion Kit, Prop/Butane DVG30, G31 to Natural Gas G20,G25 Aust/CE	1	

BIGL30 Manual LOV SERIES GAS FRYER

Gas Valves, Supply and Combustion System Components

#	PART #	DESCRIPTION	QTY	Note
---	--------	-------------	-----	------

PART NOTES:

- | | | | | |
|-----|---|--|--|--|
| [1] | - | Recommended Stock Part | | |
| [2] | - | includes gasket | | |
| [3] | - | Recommended Stock Part includes harness and Item 3 | | |
| [4] | - | component of all blowers listed above | | |
| [5] | - | 0-4999 Ft, 0-1524 M | | |
| [6] | - | switch alone | | |
| [7] | - | used on DV valve | | |
| [8] | - | Used on some split pots | | |

BIGL30 Manual LOV SERIES GAS FRYER

M3000 Communication Wiring Harnesses

BIGL30 Manual LOV SERIES GAS FRYER

M3000 Communication Wiring Harnesses

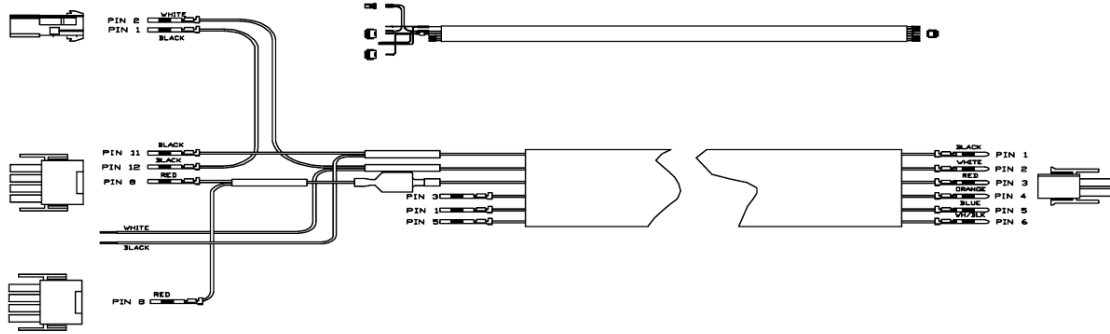
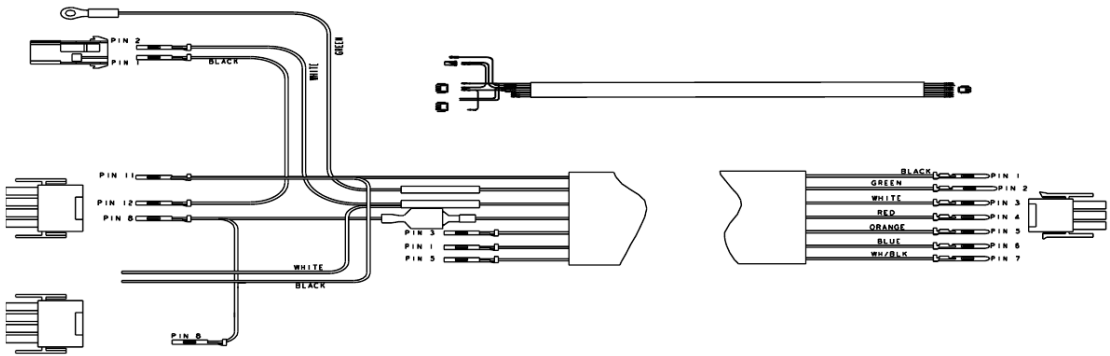
#	PART #	DESCRIPTION	QTY	Note
1	8074546	Controller Communication	1	[1]
2	8074573	Controller Locator Wire	1	[2]
3	8074552	Communications Terminator	1	[3]
4	8074660PK	SMT Pin Service Repair Kit	1	[4]
5	2302345	SMT Pin Extractor	1	[4]

PART NOTES:

- [1] - used from controller to controller
- [2] - used from controller to interface board
- [3] - used on controller pin J6and J7 to terminate network
- [4] - Recommended Stock Part

BIGL30 Manual LOV SERIES GAS FRYER

Main Wiring Harnesses



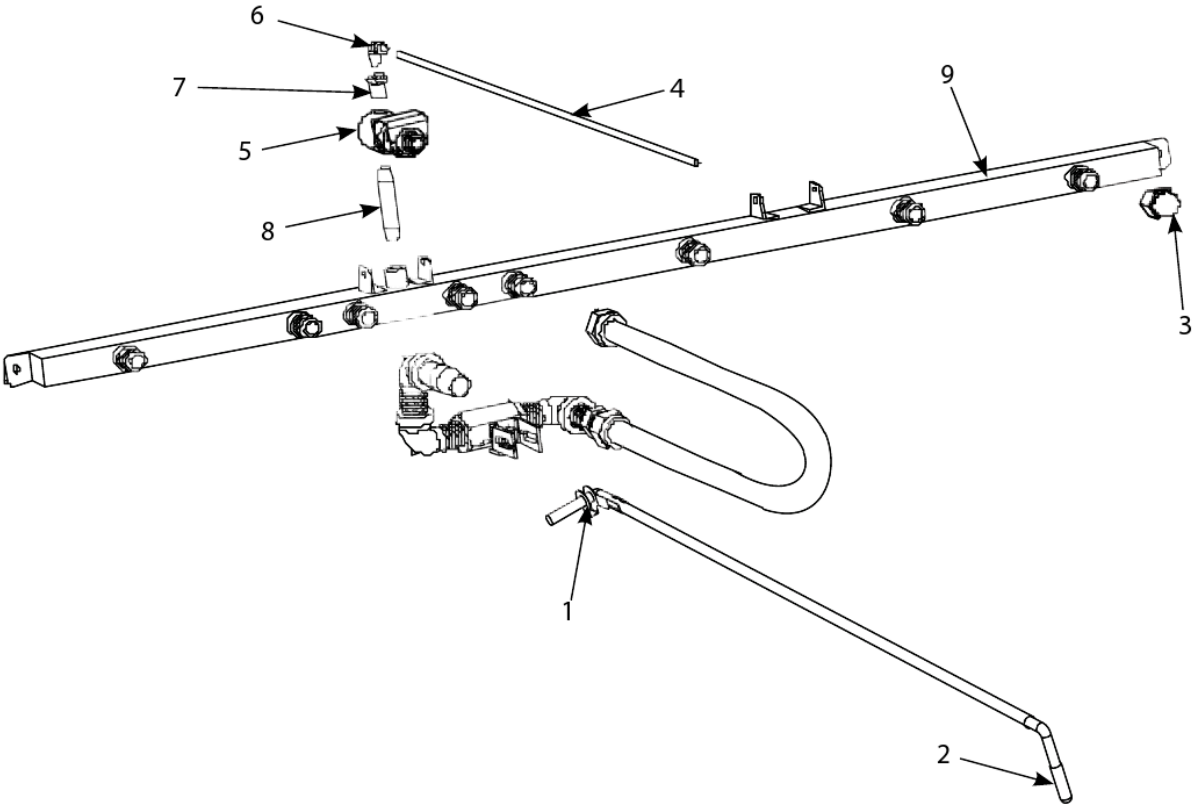
BIGL30 Manual LOV SERIES GAS FRYER

Main Wiring Harnesses

#	PART #	DESCRIPTION	QTY	Note
1	8071978	Main Wiring Harness 250/450	1	
2	8074014	Main Wiring Harness 350	1	

BIGL30 Manual LOV SERIES GAS FRYER

Oil Return System Components



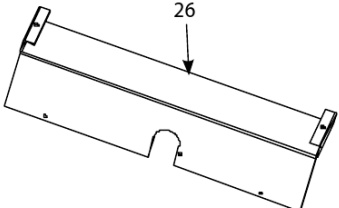
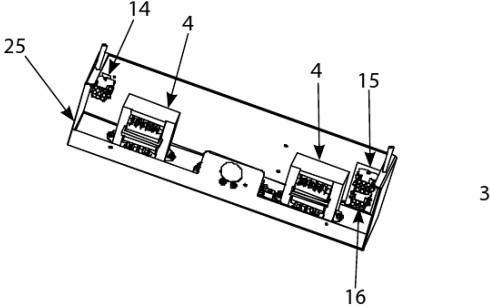
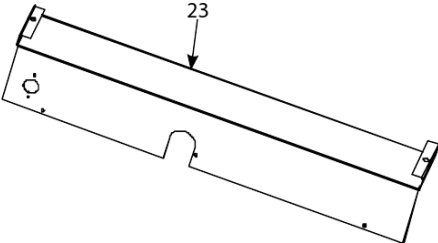
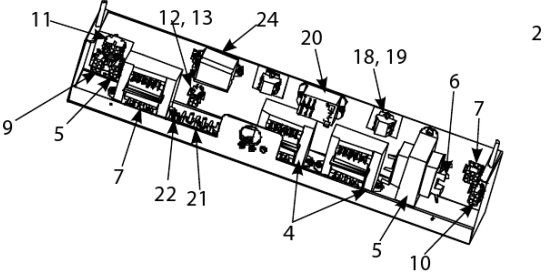
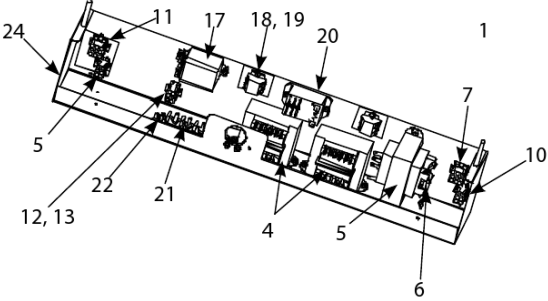
BIGL30 Manual LOV SERIES GAS FRYER

Oil Return System Components

#	PART #	DESCRIPTION	QTY	Note
1	8090601	Clip, Clevis	1	
2	8160643	Grip, Oil Return Valve Handle	1	
3	8130907	Cap, 0.9375-inch Valve Safety	1	
4	8111071	Tube, 0.25-inch OD Teflon Manifold Vent	1	
5	1067598SP	Solenoid Valve - 0.25" NPT	1	
6	8102493	Elbow, 90° 0.125-inch NPT x 0.25-inch Quick Connect	1	
7	8130807	Bushing, 0.25-inch NPT x 0.125-inch	1	
8	8130700	Nipple, 0.25-inch NPT x 3.00-inch	1	
9	8103958	Manifold, Two-Station Fryer	1	
9a	8103959	Manifold, Three-Station Fryer	1	
9b	8103960	Manifold, Four-Station Fryer	1	
9c	8103961	Manifold, Five-Station Fryer	1	

BIGL30 Manual LOV SERIES GAS FRYER

Transformer Boxes



BIGL30 Manual LOV SERIES GAS FRYER

Transformer Boxes

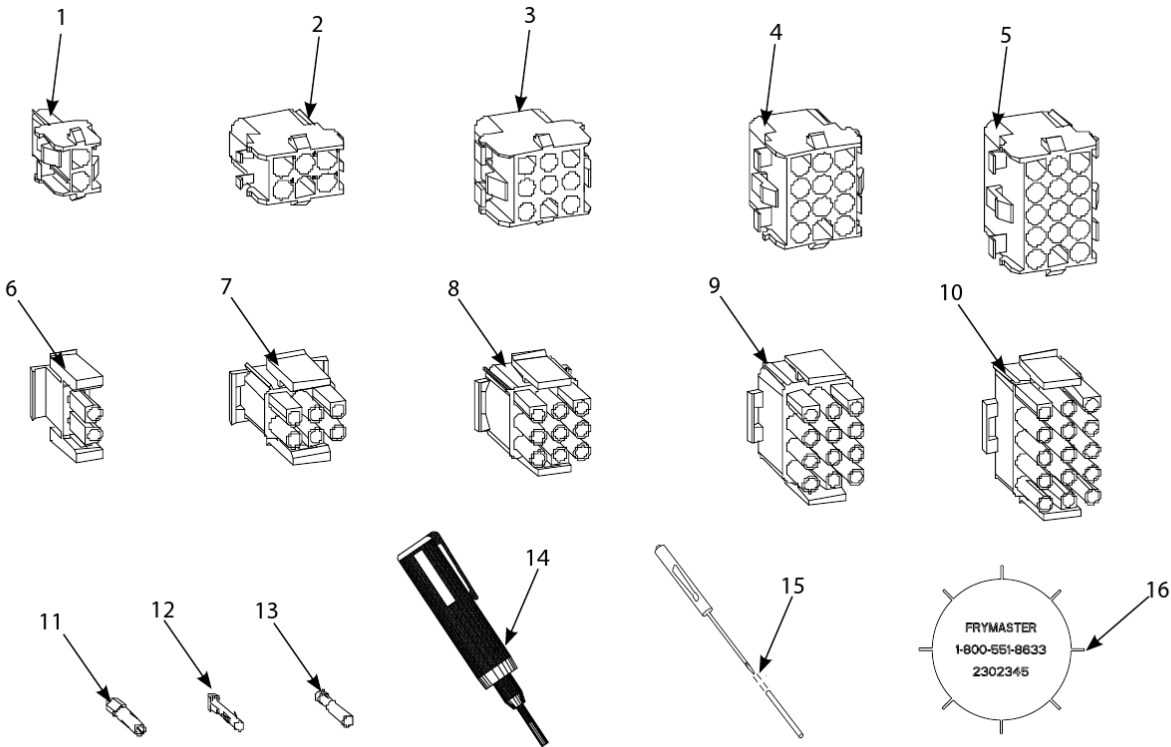
#	PART #	DESCRIPTION	QTY	Note
1	1081765	Box Assembly, Transformer, GL230 and 430 CE and Export	1	
1a	1081770	BIGL430 CE and Export	1	[1]
2	1081764	Box Assembly, Transformer, GL330 CE and Export	1	
3	1081768	Box Assembly, Transformer, GL430 CE and Export	1	
4	8075129	Transformer - Dual Voltage 208-240V	1	[2]
5	8072180	Transformer - 208-240V/24V 50A	1	[2]
6	8071597	Fuse - 3amp Slo-Blow	1	[2]
7	1080994SP	Cable Assembly, Transformer Box #1 GL230,330, 230 and 330 CE Export	1	
8	1080995SP	Cable Assembly, Transformer Box #2 GL230, 330, 230 and 330 CE Export	1	
9	1080996SP	Cable Assembly, Transformer Box #3 GL330 and 330 CE Export	1	
10	1081728	Cable Assembly, Transformer Box Line GL230, 330, 430, 230 and 330 CE Export and 430 CE Export Filter Pump	1	
11	1068170	Cable Assembly, Transformer Box Filter Pump GL230, 330, 230 and 330 CE Export	1	
12	1083433	Harness, Bulk Oil Jumper	1	
13	1083432	Harness, T-Box Gas OCF	1	
14	1081778	Harness Assembly, Vat # 4	1	
15	1081777	Harness Assembly, Vat # 3	1	
16	1081789	Harness Assembly, 4 Batt Cordset	1	
17	8074770	Relay, DPDT 20A 240V	1	[2]
18	8101164	Block, One-Piece Screwless Terminal	1	
19	8160217	Insulation, Terminal Block Paper	1	
20	8070012	Filter Relay - 18A 24VAC	1	[2]
21	8071973	Terminal, Post	1	
22	8070070	Terminal, Ground Lug	1	
23	2203191	Cover, Large Transformer Box	1	
24	8236324	Box, Large Transformer/Filter	1	
25	8237638	Box, Transformer/Filter GL30 4-Battery	1	
26	2206514	Spark Ignition Pilot - LP	1	
27	WIR0100	Wire Assembly, GL 430 McD Double	1	
28	WIR0799	Wire Assembly, GL230/430 Transformer/Filter Box	1	
29	WIR0798	Wire Assembly, GL330 Transformer/Filter Box	1	
30	WIR0957	Wire Assembly, GL230/430	1	

PART NOTES:

- [1] - cordset
- [2] - Recommended Stock Part

BIGL30 Manual LOV SERIES GAS FRYER

Wiring Connectors, Pin Terminals and Tools



BIGL30 Manual LOV SERIES GAS FRYER

Wiring Connectors, Pin Terminals and Tools

#	PART #	DESCRIPTION	QTY	Note
1	8071068	2-Pin Female	1	
2	8070158	6-Pin Female	1	
3	8070156	9-Pin Female	1	
4	8070159	12-Pin Female	1	
5	8070875	15-Pin Female	1	
6	8071067	2-Pin Male	1	
7	8070157	6-Pin Male	1	
8	8070155	9-Pin Male	1	
9	8070160	12-Pin Male	1	
10	8070804	15-Pin Male	1	
11	8261341	Terminal, Female Split Pin	25	
12	8261342	Terminal, Male Split Pin	25	
13	8072518	Plug, Mate-N-Lock	1	[1]
14	8070928	Extract Tool Pin Pusher	1	
15	8064855	Pin Pusher Screwdriver Assy	1	
16	2302345	SMT Pin Extractor	1	

PART NOTES:

[1] - Dummy Pin