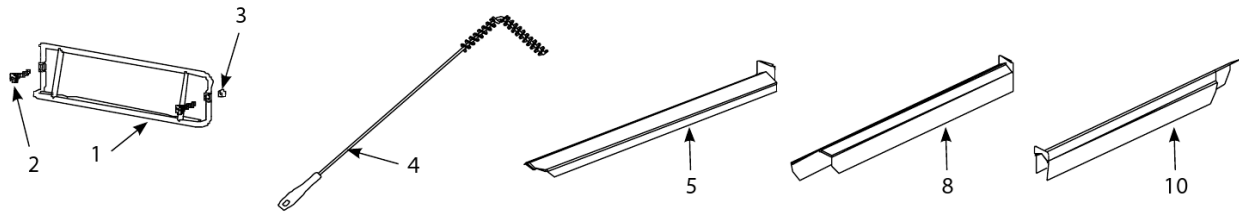


Application Series Electric Fryers

Accessories and Connecting_Joiner Strips



Application Series Electric Fryers

Accessories and Connecting_Joiner Strips

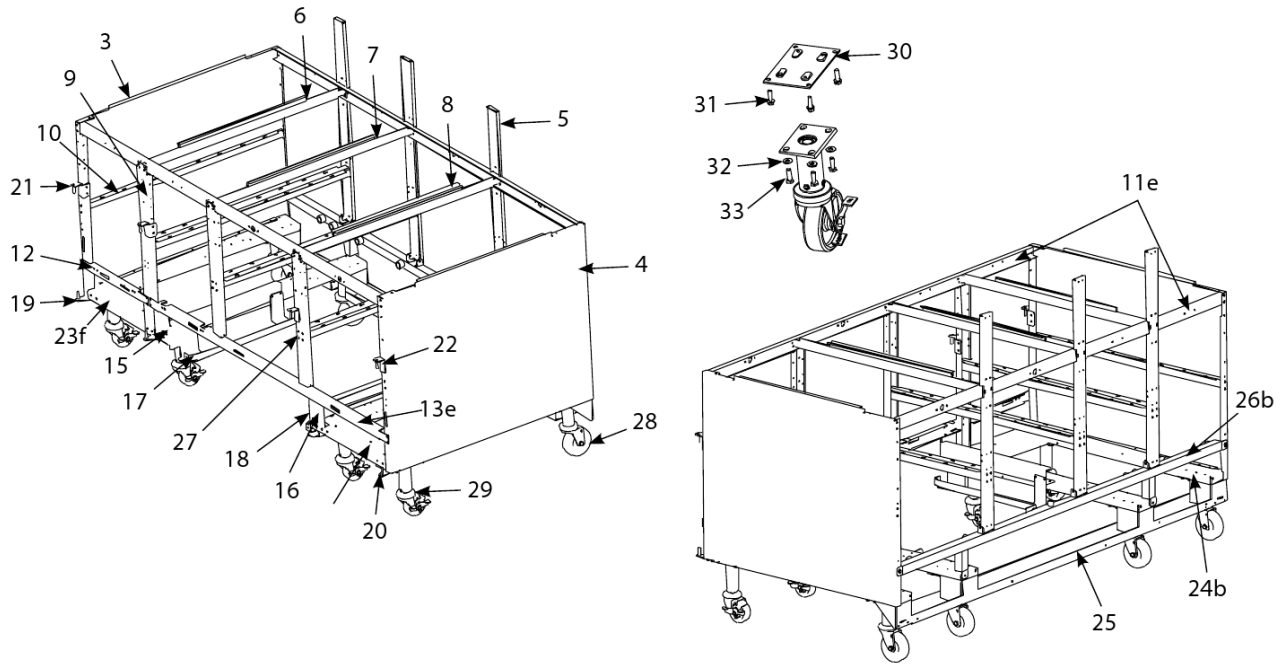
#	PART #	DESCRIPTION	QTY	Note
1	8102793	Hanger - Wireform Basket	1	
1a	8102794	Basket Hanger	1	
2	8090171	Thumbscrew, 0.25-20 x 1.375-inch	1	
3	8090921-FRY	Spacer, Basket Hanger	1	
4	8030278	L-shaped Brush	1	
5	8235036	SM/D60 Connecting	1	[1]
6	8235810	Connecting Strip, Frypot	1	[1]
7	2104313	Joiner Strip	1	[1]
8	8235429	D60 Left / MJ-H55 Right Joiner	1	
9	8235366	DD250 Left / MJ-H55 Right Joiner	1	
10	8235037	MJ-H55 Left / D60 Right Joiner	1	
11	8235080	MJ-H55 Left / Flatbottom (1824,2424) Right Joiner	1	
12	8261351	Nut Retainer, 0.25-20 Std. Fluecap	10	[2]

PART NOTES:

- [1] - joins like frypots within a system
- [2] - for use on standard fluecap

Application Series Electric Fryers

Cabinetry - MJ35, MJ45, H55, D50, D60, D80 and Gas Flatbottom Combinations



Cabinetry - MJ35, MJ45, H55, D50, D60, D80 and Gas Flatbottom Combinations

Application Series Electric Fryers

Cabinetry - MJ35, MJ45, H55, D50, D60, D80 and Gas Flatbottom Combinations

#	PART #	DESCRIPTION	QTY	Note
1	1065348	Cabinet Assemblies, Two/Four Station Fryer, DF2x# (1824/2424 Left non-filter)	1	
1a	1065153	Cabinet Assemblies, Two/Four Station Fryer, DF2x# (22424 Left), DF4x# (Left 32424/D60)	1	
1b	1065487	Cabinet Assemblies, Two/Four Station Fryer, DF2x# (22424 Right)	1	
1c	1065382	Cabinet Assemblies, Two/Four Station Fryer, DF2x# (22424 Right non-filter)	1	
1d	1065349	Cabinet Assemblies, Four Station Fryer, DF4x5 (MJ-H3x5/MC24/2424) Four Station w/spreader cabinet	1	
1e	1065154	Cabinet Assemblies, Two/Four Station Fryer, DF2x# (2424/D60 Right), DF4x# (Right 32424/D60)	1	
1f	1065136	Cabinet Assemblies, Two/Four Station Fryer, DF2x# (2424/2424)	1	
1g	1064751	Cabinet Assemblies, Three/Five/Six Station Fryer, DF3x# (MJ-H2x5/FB), DF6x1 (Left MJH2x5/2424//32424)	1	
1h	1065458	Cabinet Assemblies, Three/Five/Six Station Fryer, DF3x# (32424E), DF6x1 (Right MJH2x5/2424//32424)	1	
1i	1064712	Cabinet Assemblies, Three/Five/Six Station Fryer, DF3x# (32424 Right)	1	
1j	1065420	Cabinet Assemblies, Three/Five/Six Station Fryer, DF3x# (MJ-Hx5/D60/1824)	1	
1k	1067028	Cabinet Assemblies, Three/Five/Six Station Fryer, DF5x# (Left 22424/26MC//MJ-H3x5)	1	
1l	1067008	Cabinet Assemblies, Three/Five/Six Station Fryer, DF5x# (Right 22424/26MC//MJ-H3x5)	1	
1m	1065468	Cabinet Assemblies, Four Station Fryer, DF4x5 (MJ-H3x5/MC24/2424) Four Station w/spreader cabinet	1	
1n	1065349	Cabinet Assemblies, Four Station Fryer, DF4x5 (MJ-H3x5/MC24/2424) Four Station w/spreader cabinet	1	
1o	1065376	Cabinet Assemblies, Four Station Fryer, DF4x# (MJ-H2x5/21824)	1	
2	1065350	Base Assemblies, Two/Four Station Fryer, DF2x# (1824/2424L non-filter)	1	
2a	1065381	Base Assemblies, Two/Four Station Fryer, DF2x# (22424 R non-filter)	1	
2b	1064983	Base Assemblies, Four Station Fryer, DF4x5 (MJ-H3x5/MC24/2424) Four Station w/ spreader cabinet	1	
2c	1064986	Base Assemblies, Two/Four Station Fryer, DF2x# (2424 or 1824 and D60), DF4x# (Right 22424//2424/D60)	1	
2d	1064752	Base Assemblies, Three/Five/Six Station Fryer, DF3x# (MJ-H2x5/FB), DF6x1(Left MJ-H 2x5/2424//32424)	1	
2e	1065445	Base Assemblies, Three/Five/Six Station Fryer, DF3x# (32424E)	1	
2f	1065421	Base Assemblies, Three/Five/Six Station Fryer, DF3x# (MJ-Hx5/D60/1824)	1	
2g	1067029	Base Assemblies, Three/Five/Six Station Fryer, DF5x#(Left 22424/26MC//MJ-H3x5)	1	
2h	1064711	Base Assemblies, Three/Five/Six Station Fryer, DF6x1 (Right MJ-H2x5/2424//32424)	1	
2i	1065472	Base Assemblies, Four Station Fryer, DF4x5 (MJ-H3x5/MC24/2424) Four Station w/ spreader cabinet	1	
2j	1064983	Base Assemblies, Four Station Fryer, DF4x5 (MJ-H3x5/MC24/2424) Four Station w/ spreader cabinet	1	

Cabinetry - MJ35, MJ45, H55, D50, D60, D80 and Gas Flatbottom Combinations

Application Series Electric Fryers

Cabinetry - MJ35, MJ45, H55, D50, D60, D80 and Gas Flatbottom Combinations

#	PART #	DESCRIPTION	QTY	Note
2k	1065377	Base Assemblies, Four Station Fryer, DF4x# (MJ-H2x5 / 21824)	1	
3	2118078	Side Panel, Left Side	1	
3a	2210012	Side Panel, Left Side with Hole	1	[1]
3b	2018942	Side, Left Cabinet, 2424/D60	1	[1]
3c	2310395	Panel, Left Side, Stainless Steel Cabinet	1	
4	2028942	Side, Right Cabinet, 2424R,	1	[1]
4a	2128078	Side Panel, Right Side	1	
4b	2220012	Side Panel, Right Side with Hole	1	[1]
4c	2320395	Panel, Right Side, Stainless Steel Cabinet	1	
5	2008882	Post, Rear, MJ-H2x5/21824, MJ-H2x5/FB, MJ-Hx5/D60/1824, 2424R, 2424/D60, 2424L	1	
5a	2008662	Post, Rear Com Cabinet	1	
5b	2200404	Post, Rear Cabinet	1	
5c	2009232	Post, Rear, SCF2424R, 1824/2424L, 2424, 2424R non-filter	1	
6	2008080	Divider, Frypot	1	
7	2008873	Divider, Frypot, MJxxx, H2xx / 1824, 2424 Divider	1	
8	2008912	Divider, Frypot, 1824, 2424 Flatbottom Pot Divider	1	
9	2008168	Post, Door	1	
10	2008903	Brace, Firebox FB	1	
11	2009229	Brace, Cabinet Top, 224	1	
11a	2009239	Brace, Cabinet Top, 1824	1	
11b	2008874	Brace, Upper Front/Rear, Three Station Fryer, DF3x# (MJ-H2x5/FB)	1	
11c	2200370	Brace, Upper Front/Rear, Three Station Fryer, DF3x# (32424E)	1	
11d	2200291	Brace, Upper Front/Rear, Three Station Fryer, DF3x# (MJ-Hx5/D60/1824)	1	
11e	2200210	High Tension Wire Leads - 110"	1	
12	2008227	Brace, Right Lower Front, Three Station, DF3x1-DF3x2-DF3x3 (D60/MJ-H2x5),DF2x5 (D160/15MC/MJ-H1x5)	1	
13	2009240	Brace, Cabinet Front, 1824	1	
13a	2009231	Brace, Cabinet Front, 224	1	
13b	2008878	Brace, Right/Center Lower Front, Three Station Fryer, DF3x# (MJ-H2x5/FB)	1	
13c	2200371	Brace, Right/Center Lower Front, Three Station Fryer, DF3x# (32424E)	1	
13d	2200290	Brace, Right/Center Lower Front, Three Station Fryer, DF3x# (MJ-Hx5/D60/1824)	1	
13e	2200214	High Tension Wire Lead - 19"	1	
14	2008932	Bridge, Filter Pump, MJ-H2x5/FB	1	
14a	2200380	Bridge, Filter Pump, 32424E - YUM	1	
15	2019764	Rail, Filter Pan Left	1	
15a	2210289	Rail, Filter Pan Left MJ-Hx5/D60/1824	1	
16	2029764	Rail, Filter Pan Right	1	
16a	2220289	Rail, Filter Pan Right MJ-Hx5/D60/1824	1	
17	2019890	Guide, Filter Pan Left	1	
18	2029890	Guide, Filter Pan Right	1	
19	8234894	Hinge, Lower Left	1	[2]

Cabinetry - MJ35, MJ45, H55, D50, D60, D80 and Gas Flatbottom Combinations

Application Series Electric Fryers

Cabinetry - MJ35, MJ45, H55, D50, D60, D80 and Gas Flatbottom Combinations

#	PART #	DESCRIPTION	QTY	Note
20	8234895	Hinge, Lower Right	1	[2]
21	8234729	Hinge, Left Door Upper	1	
21a	8235520	Hinge, Upper Left Door 24	1	[3]
21b	8235136	Hinge, Upper Left	1	[4]
22	8234730	Hinge, Right Door Upper	1	
22a	8235521	Hinge, Upper Right Door 24	1	[3]
22b	8235137	Hinge, Upper Right	1	[5]
23	2009228	Channel, Cabinet Base Front Left/Center, Three/Five Station Fryer, DF3x# (32424E)	1	
23a	2009241	Channel, Cabinet Base Front Left/Center, Two Station Fryer, DF2x# (1824/2424L non-filter,2424/D60)	1	
23b	2200036	Channel, Cabinet Base Front Left/Center, Two Station Fryer, DF2x# (2424R non-filter)	1	
23c	2008098	Channel, Base Front Left, Five Station, DF5x1 (245E/SCFD360), DF5x# (MJ-H2x5/D360)	1	
23d	2009228	Channel, Cabinet Base Front Left/Center, Three/Five Station Fryer, DF3x# (32424E)	1	
23e	2202033	Channel, Cabinet Base Front Left/Center, Three/Five Station Fryer, DF5x# (22424/26MC/MJH3x5)	1	
23f	2008098	Channel, Base Front Left, Five Station, DF5x1 (245E/SCFD360), DF5x# (MJ-H2x5/D360)	1	
24	2200207	Channel, Cabinet Base Front Right D60, Four Station Fryer, DF4x# (MJ-H2xx/21824)	1	
24a	2200331	Channel, Cabinet Base Front Right D60, Three Station Fryer, DF3x# (32424E)	1	
24b	2200207	Channel, Cabinet Base Front Right D60, Four Station Fryer, DF4x# (MJ-H2xx/21824)	1	
25	8235155	Channel, Cabinet Base Rear, Two Station Fryer, DF2x# (2424/2424L, 2424, SCF2424R, 2424R,2424R non-filter)	1	
25a	8235162	Channel, Cabinet Base Rear, Two Station Fryer, DF2x# (1824/2424L non-filter, 2424/D60 Right)	1	
25b	8235102	Channel, Cabinet Base Rear, Three/Five Station Fryer, DF3x# (MJ-H2x5/FB)	1	
25c	8235518	Channel, Cabinet Base Rear, Three/Five Station Fryer, DF3x# (32424E)	1	
25d	8235498	Channel, Cabinet Base Rear, Three/Five Station Fryer, DF3x# (MJ-Hx5/D60/1824)	1	
25e	2202031	Lamp Holder With Green Lens	1	
25f	8235466	Channel, Cabinet Base Rear, Four Station Fryer, DF4x# (MJ-H2x5/21824)	1	
25g	8235158	Manifold, Rear Support, Two Station Fryer, DF2x# (22424L/R 2424R non-filter), DF4x#(Left 32424/D60)	1	
26	8235435	Manifold, Rear Support, Two Station Fryer, DF2x# (1824/2424L non-filter)	1	
26a	8235161	Manifold, Rear Support, Two Station Fryer, DF2x# (2424/D60 Right), DF4x# (32424/D60 Right)	1	
26b	8235540	Manifold, Rear Support, Four Station Fryer, DF4x5 (MJ-H3x5/24MC/2424)	1	
26c	8235468	Manifold, Rear Support, Four Station Fryer, DF4x# (MJ-H2x5/21824)	1	
26d	8235094	Manifold, Rear Support, Six Station Fryer, DF6x1 (MJ-H2x5/24/32424 Right)	1	

Cabinetry - MJ35, MJ45, H55, D50, D60, D80 and Gas Flatbottom Combinations

Application Series Electric Fryers

Cabinetry - MJ35, MJ45, H55, D50, D60, D80 and Gas Flatbottom Combinations

#	PART #	DESCRIPTION	QTY	Note
26e	8235103	Manifold, Rear Support, Six Station Fryer, DF6x1 (MJ-H2x5/24/32424 Left)	1	
26f	8235094	Manifold, Rear Support, Six Station Fryer, DF6x1 (MJ-H2x5/24/32424 Right)	1	
27	2008871	Bracket, Component Box Support	1	
28	8101494	Caster, 8.5-inch Swivel w/o Brake	1	
29	8100944	Caster 3" with Brake	1	
30	8234891	Plate, Front Caster Mounting	1	
31	8090821	Screw, Hex Head 0.25-20 x 0.75	1	
32	8010189	Washer, 0.25 Flat	1	
33	8261389	Screw - 0.25"-20 x 0.75" Hex Head ZP	10	

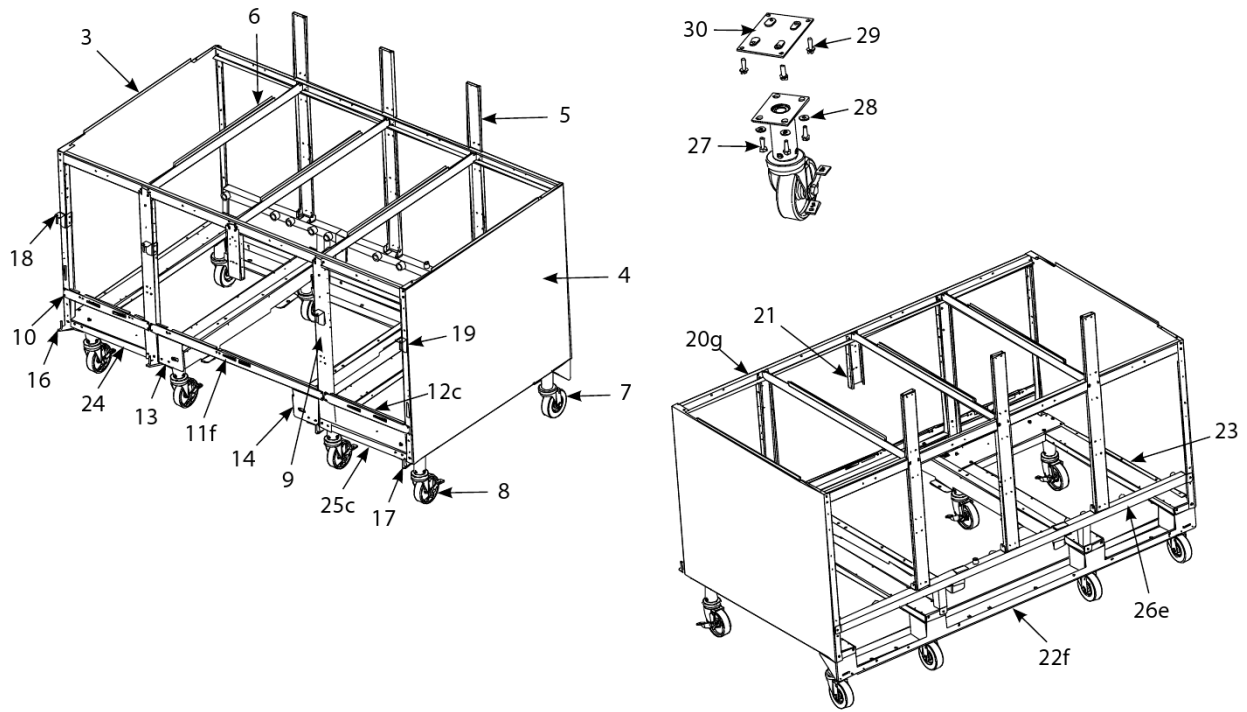
PART NOTES:

- [1] - has openings for connecting fryers
- [2] - all models
- [3] - 32424E
- [4] - 1824/2424L
- [5] - SCF2424R, 2424R

Cabinetry - MJ35, MJ45, H55, D50, D60, D80 and Gas Flatbottom Combinations

Application Series Electric Fryers

Cabinetry - MJ35, MJ45, H55_D50, D60, D80 Combinations



Cabinetry - MJ35, MJ45, H55_D50, D60, D80 Combinations

Application Series Electric Fryers

Cabinetry - MJ35, MJ45, H55_D50, D60, D80 Combinations

#	PART #	DESCRIPTION	QTY	Note
1	1065324	Cabinet Assemblies, Two Station Fryer, DF2x1 (SCFD160/MJ-H1x5CSC), DF2x3 (SCFD160/MJ-H1x5SC)	1	
1a	1066837	Cabinet Assemblies, Two Station Fryer, DF2x6 (MJ-H1x5/DD50)	1	
1b	1066837	Cabinet Assemblies, Two Station Fryer, DF2x6 (MJ-H1x5/DD50)	1	
1c	1067518	Cabinet Assemblies, Two Station Fryer, DF2x# (MJ-H1x5/D160)	1	
1d	1065452	Cabinet Assemblies, Three Station Fryer, DF3x1-DF3x2-DF3x3 (D160/MJ-H2x5), DF2x5(D160/15MC/MJ-H1x5)	1	
1e	1066834	Cabinet Assemblies, Three Station Fryer, DF3x4 (MJ-H1x5/DD250)	1	
1f	1067599	Cabinet Assemblies, Three Station Fryer, DF3x5 (D160/MJ-H2x5)	1	
1g	1067523	Cabinet Assemblies, Three Station Fryer, DF3x# (DD250/MJ-H1x5)	1	
1h	1064314	Cabinet Assemblies, Four Station Fryer, DF4x1 (MJ-H2x5/SCFD260), DF4x4 (MJ-H2x5/SCFD260)	1	
1i	1064432	Cabinet Assemblies, Four Station Fryer, DF4x2 (MJ-H2x5/SCFD250)	1	
1j	1065233	Cabinet Assemblies, Four Station Fryer, DF4x3 (SCFD250/MJ-H2x5)	1	
1k	1067600	Cabinet Assemblies, Four Station Fryer, DF4x6 (D460 Filter Right)	1	
1l	1067365	Cabinet Assemblies, Four Station Fryer, DF4x# (SCFD160/MC/MJ-H3x5)	1	
1m	1064454	Cabinet Assemblies, Five Station Fryer, DF5x1 (245E/SCFD360), DF5x# (MJ-H2x5/D360)	1	
2	1065323	Base Assemblies, Two Station Fryer, DF2x1 (SCFD160/MJ-H1x5CSC), DF2x3 (SCFD160/MJH1x5SC)	1	
2a	1066836	Base Assemblies, Two Station Fryer, DF2x2 (SCFD150/MJ-H1x5), DF2x6 (MJ-H1x5/D50)	1	
2b	1065451	Base Assemblies, Three Station Fryer, DF3x1-DF3x2-DF3x3 (D60/MJ-H2x5), DF2x5(D160/15MC/MJ-H1x5)	1	
2c	1066833	Base Assemblies, Three Station Fryer, DF3x4 (MJ-H1x5/DD250)	1	
2d	1067522	Base Assemblies, Three Station Fryer, DF3x# (DD250/ MJ-H1x5)	1	
2e	1064313	Base Assemblies, Four Station Fryer, DF4x1 (MJ-H2x5/SCFD260), DF4x4 (MJ-H2x5/SCFD260)	1	
2f	1064434	Base Assemblies, Four Station Fryer, DF4x2 (MJ-H2x5/SCFD250), DF4x3 (SCFD250/MJ-H2x5)	1	
2g	1067358	Base Assemblies, Four Station Fryer, DF4x# (SCFD160/MC/MJ-H3x5)	1	
2h	1064455	Base Assemblies, Five Station Fryer, DF5x1 (245E/SCFD360), DF5x# (MJ-H2x5/D360)	1	
3	2118078	Side Panel, Left Side	1	
4	2128078	Side Panel, Right Side	1	
5	2009929	Post, Rear Com Cabinet	1	
5a	2008662	Post, Rear Com Cabinet	1	
5b	2201799	Post, Rear Com Cabinet (for DF2x2, DF2x6, DF3x4)	1	
6	2008080	Divider, Frypot	1	
6a	2201844	Divider, Frypot (for DF3x4)	1	

Cabinetry - MJ35, MJ45, H55_D50, D60, D80 Combinations

Application Series Electric Fryers

Cabinetry - MJ35, MJ45, H55_D50, D60, D80 Combinations

#	PART #	DESCRIPTION	QTY	Note
7	8101494	Caster, 8.5-inch Swivel w/o Brake	1	
8	8100326	Caster, Adjustable Front (Before 6 Nov 2000)	1	
9	2008168	Post, Door	1	
10	2008227	Brace, Right Lower Front, Three Station, DF3x1-DF3x2-DF3x3 (D60/MJ-H2x5),DF2x5 (D160/15MC/MJ-H1x5)	1	
11	2200078	Brace, Center Lower Front, Two Station Fryer, DF2x1 (SCFD160/MJ-H1x5CSC), DF2x3 (SCFD160/MJ-H1x5SC)	1	
11a	2200882	Brace, Center Lower Front, Three Station Fryer, DF3x4 (MJ-H1x5/DD250)	1	
11b	2200402	Brace, Center Lower Front, Three Station Fryer, DF3x1-DF3x2-DF3x3 (D60/MJ-H2x5)	1	
11c	Z2202210	Brace, Center Lower Front, Two Station Fryer, DF2x (MJ-H1x5/D160)	1	
11d	2200402	Brace, Center Lower Front, Three Station Fryer, DF3x1-DF3x2-DF3x3 (D60/MJ-H2x5)	1	
11e	2200882	Brace, Center Lower Front, Three Station Fryer, DF3x4 (MJ-H1x5/DD250)	1	
11f	2008101	Brace, Center Lower Front, Four Station Fryer, DF4x1 (MJ-H2x5/SCFD260), DF4x4 (MJ-H2x5/SCFD260)	1	
11g	2008453	Brace, Center Lower Front, Four Station Fryer, DF4x2 (MJ-H2x5/SCFD250), DF4x3 (SCFD250/MJ-H2x5)	1	
11h	2202129	Brace, Center Lower Front, Four Station Fryer, DF4x# (SCFD160/MC/MJ-H3x5)	1	
11i	2009938	Brace, Center Lower Front, Five Station Fryer, DF5x1 (245E/SCFD360), DF5x# (MJ-H2x5/D360)	1	
12	2008452	Brace, Right Lower Front, Four/Five Station, DF4x2 (MJ-H2x5/SCFD250), DF4x3 (SCFD250/MJ-H2x5)	1	
12a	2008227	Brace, Right Lower Front, Three Station, DF3x1-DF3x2-DF3x3 (D60/MJ-H2x5),DF2x5 (D160/15MC/MJ-H1x5)	1	
12b	2200891	Brace, Right Lower Front, Three Station, DF3x4 (MJ-H1x5/DD250)	1	
12c	2008100	Brace, Lower Cabinet, Front, x3 (1), x4 (2), x5 (3), x6 (4)	1	
12d	2008452	Brace, Right Lower Front, Four/Five Station, DF4x2 (MJ-H2x5/SCFD250), DF4x3 (SCFD250/MJ-H2x5)	1	
13	2008736	Support, Left Filter Pan MJ-H/D50 - DF4x1 (MJ-H2x5/SCFD260),DF4x4 (MJ-H2x5/SCFD260)	1	
13a	2212194	Support, Left Filter Pan MJ-H/D60 - DF2x1 (SCFD160/MJ-H1x5CSC), DF2x3 (SCFD160/MJH1x5CSC),DF2x5 (D160/15MC/MJ-H1x5), DF3x1-DF3x2-DF3x3 (D60/MJ-H2x5) DF4x2 (MJH2x5/SCFD250), DF4x3 (SCFD250/MJ-H2x5), DF5x1 (245E/SCFD360), DF5x# (MJ-H2x5/D360)	1	
13b	2212130	DF4x# (SCFD160/MC/MJ-H3x5)	1	
13c	2211938	DF2x6 (MJ-H1x5/DD150), DF3x4 (MJ-H1x5/DD250)	1	
14	2008737	Support, Right Filter Pan MJ-H/D50 - DF4x1 (MJ-H2x5/SCFD260), DF4x4 (MJ-H2x5/SCFD260)	1	
14a	2222194	Support, Right Filter Pan MJ-H/D60 - DF2x1 (SCFD160/MJ-H1x5CSC), DF2x3 (SCFD160/MJH1x5CSC),DF2x5 (D160/15MC/MJ-H1x5), DF3x1-DF3x2-DF3x3 (D60/MJ-H2x5) DF4x2 (MJH2x5/SCFD250), DF4x3 (SCFD250/MJ-H2x5), DF5x1 (245E/SCFD360), DF5x# (MJ-H2x5/D360)	1	
14b	2222130	DF4x# (SCFD160/MC/MJ-H3x5)	1	
14c	2221938	DF2x6 (MJ-H1x5/DD150), DF3x4 (MJ-H1x5/DD250)	1	
15	2201687	Bridge, Filter Pump	1	
16	8234894	Hinge, Lower Left	1	

Cabinetry - MJ35, MJ45, H55_D50, D60, D80 Combinations

Application Series Electric Fryers

Cabinetry - MJ35, MJ45, H55_D50, D60, D80 Combinations

#	PART #	DESCRIPTION	QTY	Note
17	8234895	Hinge, Lower Right	1	
18	8234729	Hinge, Left Door Upper	1	
19	8234730	Hinge, Right Door Upper	1	
20	2200077	Brace, Front/Rear Upper, Two Station Fryer, DF2x1 (SCFD160/MJ-H1x5CSC), DF2x3(SCFD160/MJ-H1x5SC)	1	
20a	2201804	Brace, Front/Rear Upper, Three Station Fryer, DF3x4 (MJ-H1x5/DD250 rear only)	1	
20b	2200401	Brace, Front/Rear Upper, Three Station Fryer, DF3x1-DF3x2-DF3x3 (D60/MJ-H2x5)	1	
20c	2200878	Brace, Front/Rear Upper, Two Station Fryer, DF2x6 (MJ-H1x5/DD150 front only)	1	
20d	2200401	Brace, Front/Rear Upper, Three Station Fryer, DF3x1-DF3x2-DF3x3 (D60/MJ-H2x5)	1	
20e	2201804	Brace, Front/Rear Upper, Three Station Fryer, DF3x4 (MJ-H1x5/DD250 rear only)	1	
20f	2200886	Brace, Front/Rear Upper, Three Station Fryer, DF3x4 (MJ-H1x5/DD250 front only)	1	
20g	2008082	Brace, Front/Rear Upper, Four Station Fryer, DF4x1 (MJ-H2x5/SCFD260), DF4x4 (MJ-H2x5/SCFD260)	1	
20h	2008455	Brace, Front/Rear Upper, Four Station Fryer, DF4x2 (MJ-H2x5/SCFD250), DF4x3 (SCFD250/MJ-H2x5)	1	
20i	2202128	Brace, Front/Rear Upper, Four Station Fryer, DF4x# (SCFD160/MC/MJ-H3x5)	1	
20j	2008504	Brace, Front/Rear Upper, Five Station DF5x1 (245E/SCFD360), DF5x# (MJ-H2x5/D360)	1	
21	2002235	Bracket, Component Box	1	
22	2202190	Channel, Base Rear, Two Station Fryer, DF2x1 (SCFD160/MJ-H1x5CSC), DF2x3 (SCFD160/MJH1x5SC)	1	
22a	2201335	Channel, Base Rear, Two Station Fryer, DF2x2 (SCFD150/MJ-H1x5), DF2x6 (MJ-H1x5/DD150 front only)	1	
22b	2202195	Channel, Base Rear, Three Station Fryer, DF3x1-DF3x2-DF3x3 (D60/MJ-H2x5)	1	
22c	2202195	Channel, Base Rear, Three Station Fryer, DF3x1-DF3x2-DF3x3 (D60/MJ-H2x5)	1	
22d	2201939	Channel, Base Rear, Three Station Fryer, DF3x4 (MJ-H1x5/DD250)	1	
22e	Z2202219	Channel, Base Rear, Three Station Fryer, DF3x# (DD250/MJ-H1x5)	1	
22f	2202198	Channel, Base Rear, Four Station Fryer, DF4x1 (MJ-H2x5/SCFD260), DF4x4 (MJ-H2x5/SCFD260)	1	
22g	2202199	Channel, Base Rear, Four Station Fryer, DF4x2 (MJ-H2x5/SCFD250), DF4x3 (SCFD250/MJH2x5)	1	
22h	2202126	Channel, Base Rear, Four Station Fryer, DF4x# (SCFD160/MC/MJ-H3x5)	1	
22i	Z2202203	Channel, Rear Base	1	
23	8234851	Channel, Base Side DF2x6 (MJ-H1x5/DD150 front only), DF3x4 (MJ-H1x5/DD250)	1	
23a	8235790	Channel, Base Side DF2x6 (MJ-H1x5/DD150 front only), DF3x4 (MJ-H1x5/DD250)	1	
24	2008098	Channel, Base Front Left, Five Station, DF5x1 (245E/SCFD360), DF5x# (MJ-H2x5/D360)	1	
25	2008450	Channel, Base Front Right, Four Station Fryer, DF4x2 (MJ-H2x5/SCFD250), DF4x3 (SCFD250/MJ-H2x5)	1	

Cabinetry - MJ35, MJ45, H55_D50, D60, D80 Combinations

Application Series Electric Fryers

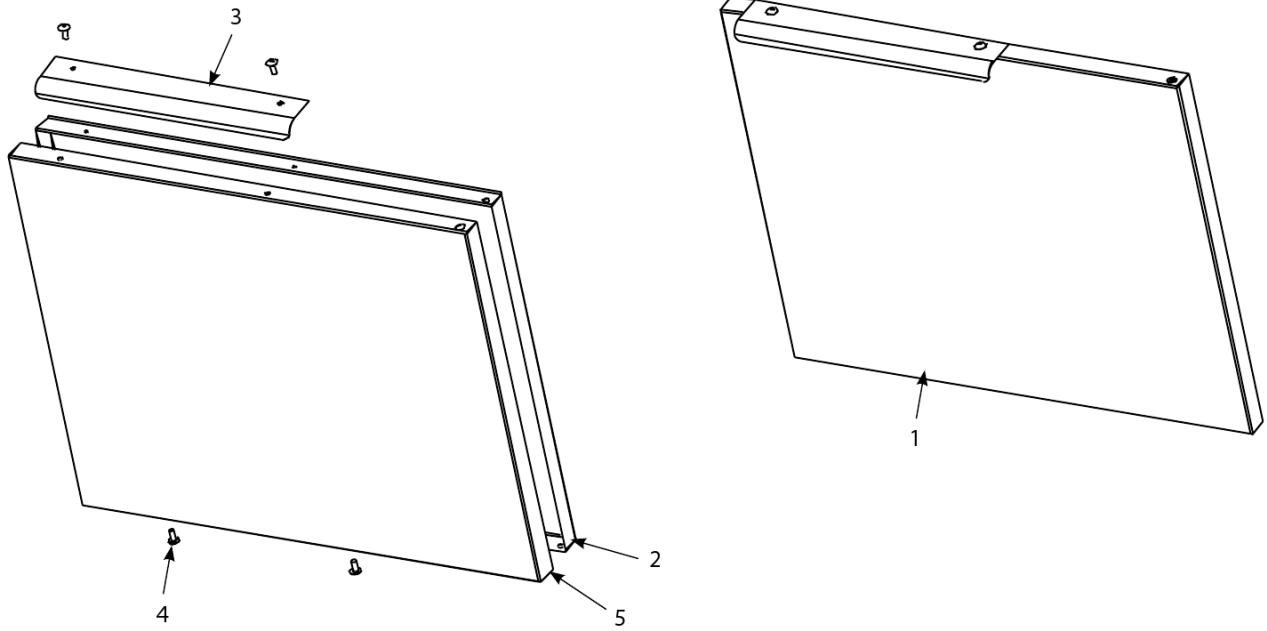
Cabinetry - MJ35, MJ45, H55_D50, D60, D80 Combinations

#	PART #	DESCRIPTION	QTY	Note
25a	2008450	Channel, Base Front Right, Four Station Fryer, DF4x2 (MJ-H2x5/SCFD250), DF4x3 (SCFD250/MJ-H2x5)	1	
25b	2200890	Channel, Base Front Right, Three Station Fryer, DF3x4 (MJ-H1x5/DD250)	1	
25c	2008095	Channel, Base Front Right, Four Station Fryer, DF4x1-DF4x4 (MJ-H2x5/SCFD260)	1	
25d	2008450	Channel, Base Front Right, Four Station Fryer, DF4x2 (MJ-H2x5/SCFD250), DF4x3 (SCFD250/MJ-H2x5)	1	
25e	2202127	Channel, Base Front Right, Four Station Fryer, DF4x# (SCFD160/MC/MJ-H3x5)	1	
25f	2008505	Channel, Base Front Right, Five Station Fryer, DF5x1 (245E/SCFD360), DF5x# (MJ-H2x5/D360)	1	
26	8103155	Manifold, Assembly -Oil Return / Rear Support, Two Station Fryer, DF2x1 (SCFD160/MJH1x5CSC),DF2x3 (SCFD160/MJ-H1x5SC)	1	
26a	8103113	Oil Return Manifold 314/350	1	
26b	8103117	Oil Return Manifold 214/250	1	
26c	8103156	Manifold, Assembly -Oil Return / Rear Support, Three Station Fryer, DF3x1-DF3x2-DF3x3-DF3x# (D60/MJ-H2x5)	1	
26d	8103117	Oil Return Manifold 214/250	1	
26e	8103157	Manifold, Assembly -Oil Return / Rear Support, Four Station Fryer, DF4x1-DF4x4 (MJ-H2x5/SCFD260)	1	
26f	8103158	Manifold, Assembly -Oil Return / Rear Support, Four Station Fryer, DF4x2 (MJ-H2x5/SCFD250), DF4x3 (SCFD250/MJ-H2x5)	1	
26g	8236015	Manifold, Assembly -Oil Return / Rear Support, Four Station Fryer, DF4x# (SCFD160/MC/MJH3x5)	1	
26h	8234973	Manifold, Assembly -Oil Return / Rear Support, Five Station Fryer, DF5x1 (245E/SCFD360),DF5x# (MJ-H2x5/D360)	1	
27	8261389	Screw - 0.25"-20 x 0.75" Hex Head ZP	10	
28	8010189	Washer, 0.25 Flat	1	
29	8090821	Screw, Hex Head 0.25-20 x 0.75	1	
30	8234891	Plate, Front Caster Mounting	1	

Cabinetry - MJ35, MJ45, H55_D50, D60, D80 Combinations

Application Series Electric Fryers

Door Assemblies



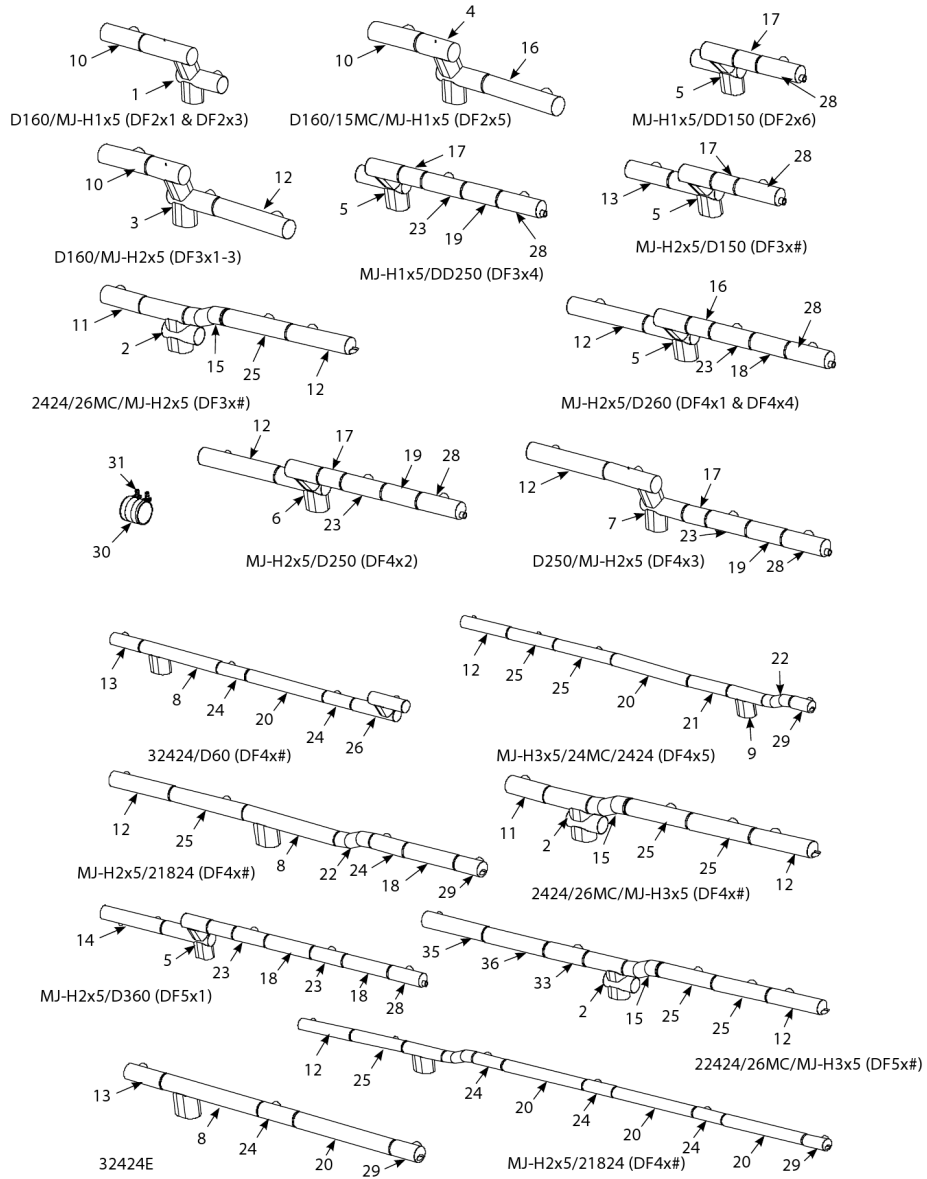
Application Series Electric Fryers

Door Assemblies

#	PART #	DESCRIPTION	QTY	Note
1	1063965	Door Assembly	1	
1a	1063966	Door, Left or Right	1	
1b	1064512	Door Assemblies, D50	1	
1c	1064309SP	Door Assembly, with Liner	1	
1d	1065248	Door Assemblies, 2424 Left	1	
1e	1064753	Door Assemblies, 2424 Right	1	
2	2006814	Panel, Liner, MJ35/45	1	
2a	2006822	Panel, Liner, H55	1	
2b	2008538	Panel, Liner, D50	1	
2c	2008076	Panel, Door, Inner	1	
2d	2008872	Panel, Liner, 2424 Left, 2424 Right	1	
3	2109739	Handle, Eurolook Door	1	
3a	2108077	Door Handle - Chrome	1	
4	8261379	Screw, #10 X 0.5-inch Phillips Truss Head	1	
5	8241344	Panel, Door, MJ35/45	1	
5a	8241342	Panel, Door, H55	1	
5b	8241435	Panel, Door, D50	1	
5c	8241386	Panel, Door, D60, 1824	1	
5d	8241480	Panel, Door, 2424 Left, 2424 Right	1	

Application Series Electric Fryers

Drain Assemblies



Drain Assemblies

Application Series Electric Fryers

Drain Assemblies

#	PART #	DESCRIPTION	QTY	Note
1	8121880	Connector / Dump D60/MJ-Hx5	1	[1]
2	8121873	Connector / Dump 24MC/MJ-Hx5	1	[2]
3	8121881	Connector / Dump D60/MJ-Hx5	1	[3]
4	8121878	Connector / Dump D60/15MC/MJ-Hx5	1	[4]
5	8235046	Connector / Dump MJ-Hx / D60	1	
6	8234929	Connector / Dump MJ-Hx5/D50	1	
7	8121882	Connector / Dump D50/MJ-Hx5	1	[5]
8	8234876	Tube W/A, 3" Flatbottom Down Spout	1	
9	8234678	Tube, 3-inch Center Drain	1	
10	8235506	Connecting Drain, Left/Upper D60/MJ-Hx5 - 7.0"	1	
11	8121876	Connecting Drain, Left/Upper 2424- 11.03"	1	[6]
12	8234639	Drain Tube, Long Full-Vat Left Open/Right End Closed	1	
13	8234853	Tube W/A, 3" Flatbottom Left Drain w/ Drain Flush	1	
14	8235066	Connecting Drain, Left MJ-Hx/D60 - 15.61"	1	
15	8121874	Connecting Drain, Center - 8.93"	1	[7]
16	2008561	Connecting Drain, Center - 6.25"	1	
17	2008560	Connecting Drain, Center - 4.5"	1	
18	2006603	Joiner Tube - 3"	1	
19	2006751	Tube, 3" Joiner, SCF50	1	
20	2008128	Tube, 2424 3" Drain Connector 16.5 "	1	
21	2000442	Connecting Drain, Center 24MC	1	
22	8235089	Connecting Drain, Center MJ-H2x5/FB - 8.05"	1	
23	8234682	Tube, 3" Center Drain, 50/60/80	1	
24	8234854	Tube W/A, 3" Flatbottom Middle Drain	1	
25	8234641	Drain Tube, Long Full-Vat Open Both Ends	1	
26	8235311	Connecting Drain, Right FB/D60	1	
27	8235474	Connecting Drain, Right MJ-Hx5/D60	1	
28	8234681	Tube, 3" Right Drain, 50/60/80	1	
29	8235084	Connecting Drain, Right FB - 4.0"	1	
30	8160729	Sleeve, Drain Connector	1	
31	8090969	Clamp 3"	1	
32	8160630	Cap, Vinyl Black	1	
33	8121875	Connecting Drain, Center 22424/26MC - 10.97"	1	[8]
34	8121879	Connector / Dump MJ-Hx5 / DD50	1	[9]
35	8235701	Connecting Drain, Left - 12.04"	1	
36	2202046	Connecting Drain, Center - 12.30"	1	
37	8111071	Tube, 0.25-inch OD Teflon Manifold Vent	1	
38	KIT6214	Round Drain Boot Kit	1	

PART NOTES:

[1]	-	8235473
[2]	-	8235984
[3]	-	8235529
[4]	-	8235938
[5]	-	8235464
[6]	-	8235980
[7]	-	8235983

Drain Assemblies

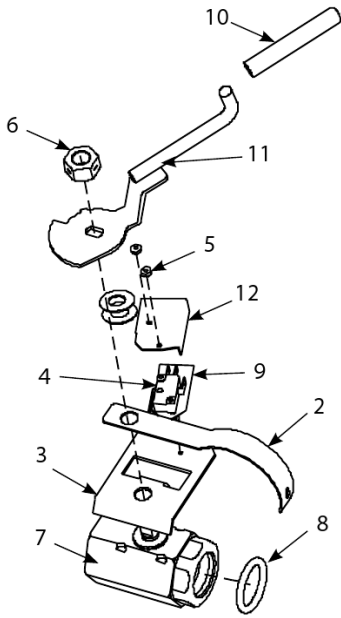
Application Series Electric Fryers

Drain Assemblies

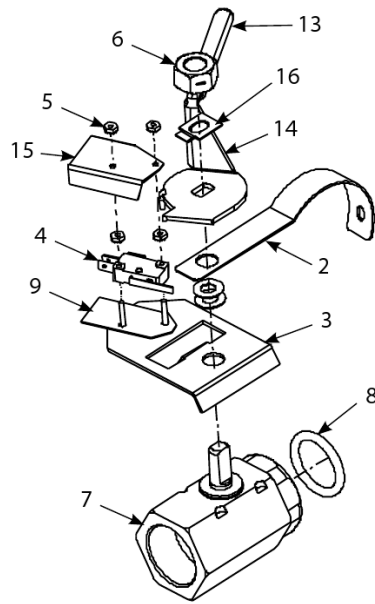
#	PART #	DESCRIPTION	QTY	Note
[8]	- 8235990			
[9]	- 8235967			

Application Series Electric Fryers

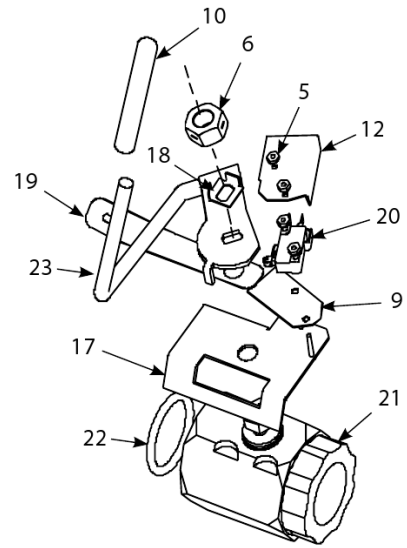
Drain Valve Assemblies



1064690



1061106



1065430

Application Series Electric Fryers

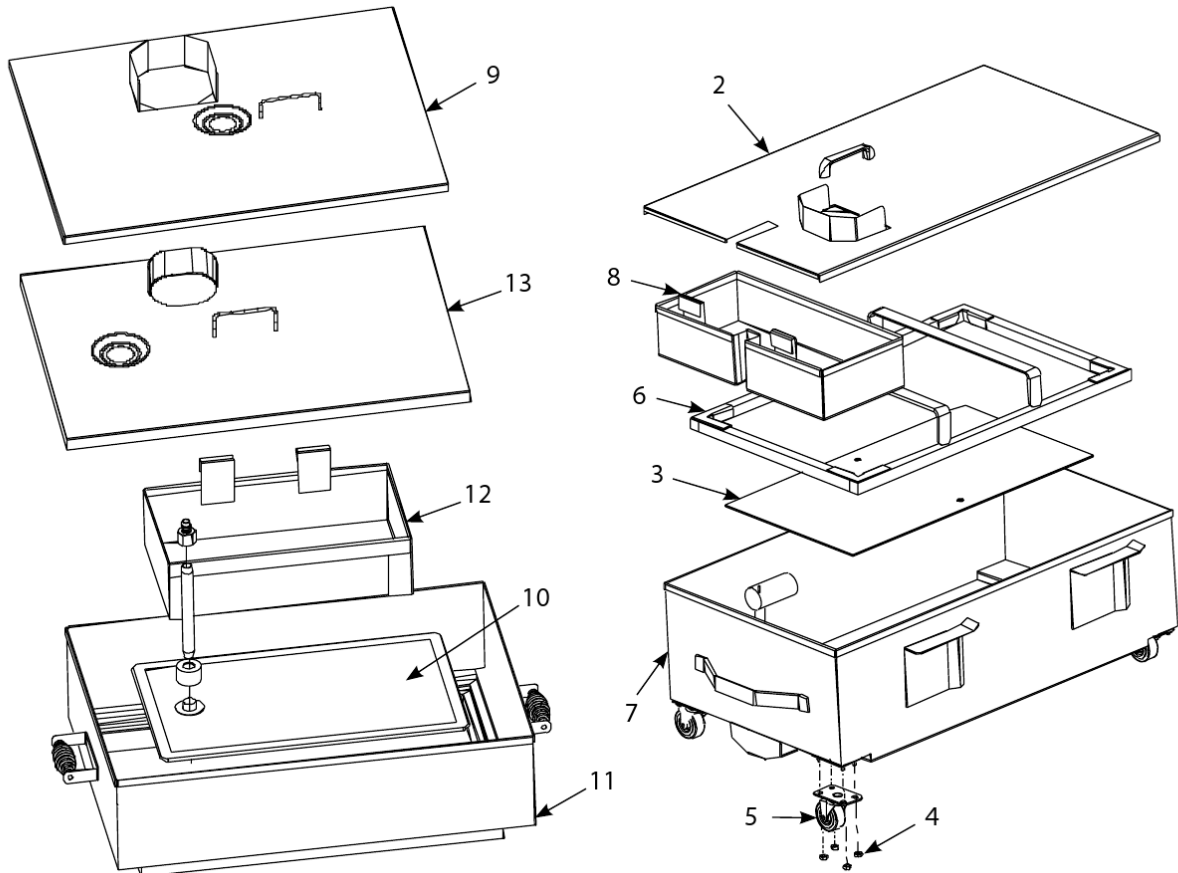
Drain Valve Assemblies

#	PART #	DESCRIPTION	QTY	Note
1	1064690	Drain Valve Assembly, MJ45/D50/D60	1	
1a	1061106	Drain Valve Assembly, H55	1	
1b	1065430	Drain Valve Assembly, Flatbottom	1	
2	2006496	Support, Drain Tube	1	
3	8068137	Bracket Assembly, Full-Vat Drain Safety Switch	1	
4	8072103	Microswitch	1	
5	8261366	Nut - #4-40 Keps Hex	25	
6	8090540	Nut, Lock 0.5-inch-13 Hex 2-Way ZP	1	
7	8101018	Drain Valve, 1.25", Left	1	
8	8160135	O-ring	1	
9	8160220	Insulation, Microswitch	1	
10	8160547	Cap, Vinyl- Red	1	
11	8235064	Handle W/A, Drain Valve 45 Common Cabinet	1	
12	9012348	Cover, Dual-Vat Left Drain Safety Switch	1	
13	8160639	Cap, Vinyl Red	1	
14	8241602	Handle, Valve, Full-vat	1	
15	9002841	Cover, Full Vat Drain Safety Switch	1	
16	9002936	Retainer Nut (FV)	1	
17	1063982	Bracket Assembly, 1-0.25" Microswitch	1	
18	2001257	Retainer, Drain Valve Nut	1	
19	2008867	Strap, 3" Drain	1	
20	8072104	Microswitch	1	
21	8102867	Valve, Drain 1.25"	1	
22	8160544	O-Ring	1	
23	8234883	Handle W/A, Drain Flatbottom 3" Drains	1	

Drain Valve Assemblies

Application Series Electric Fryers

Filter Pan Assemblies



Application Series Electric Fryers

Filter Pan Assemblies

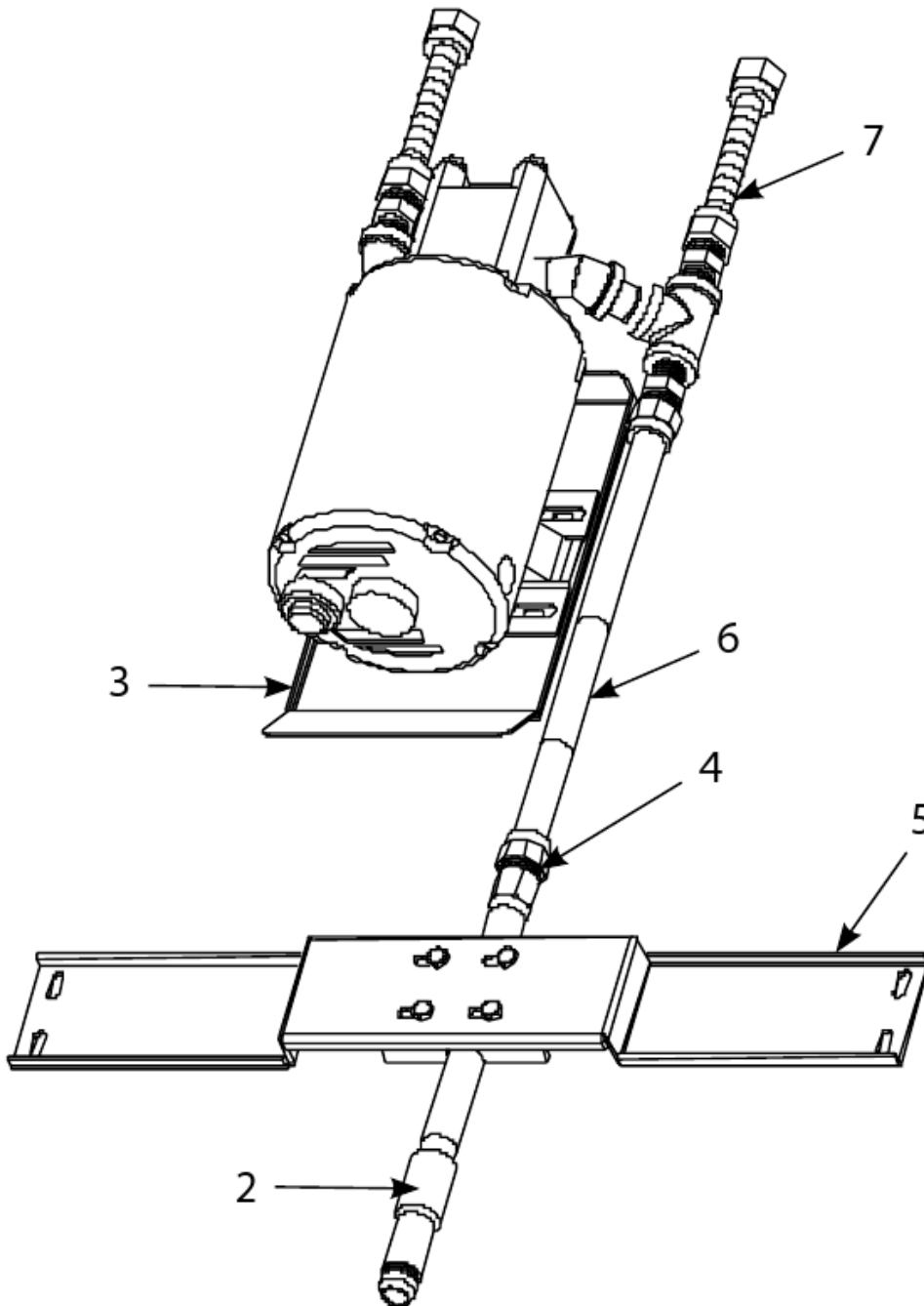
#	PART #	DESCRIPTION	QTY	Note
1	1065388	Filter Pan Assembly, Com Cab 60 Filter - MJ-Hx5 and D50/60 Combinations		
1a	1066130	Filter Pan Assembly, Flatbottom - Flatbottom Combinations		
1b	1064720	Filter Pan Assembly, Flatbottom - Flatbottom Combinations		[1]
2	1065313	Lid Assembly		[2]
3	8122301SP	Screen, Sana Grid		
4	8090070	Nut, 0.25-20 Hex, S/S		
5	8102805	Caster - 2"		
6	8233361	Hold-down Ring, Weighted		
7	8235138	Pan W/A, Com Cab 60 Filter		[3]
7a	8235737	Pan W/A, Filter 2424		[4]
8	8235471	Basket W/A, Crumb Com Cab		[5]
9	8235546	Lid Assembly		[6]
10	1063675	Filter Screen Assembly, 2424		
11	8233480	Pan Assembly, Filter		[7]
12	8235833	Crumb Basket		[8]
13	8235090	Lid Assembly		[9]
13a	1066131SP	Lid, Filter Pan		[8]

PART NOTES:

- [1] - for DF6x1
- [2] - fits Pan Assembly, Com Cab 60 Filter - MJ-Hx5 and D50/60 Combinations
- [3] - Pan for Assy Com Cab 60 Filter - MJ-Hx5 and D50/60 Combinations and 1064937
- [4] - Pan for Assy Flatbottom - Flatbottom Combinations
- [5] - fits Pan Assy Com Cab 60 Filter - MJ-Hx5 and D50/60 Combinations
- [6] - fits Pan Assy Flatbottom - Flatbottom Combinations DF6x1 32424E
- [7] - Pan for Assy Flatbottom - Flatbottom Combinations DF6x1
- [8] - fits Pan Assy Flatbottom - Flatbottom Combinations
- [9] - fits Pan Assy Flatbottom - Flatbottom Combinations DF6x1

Application Series Electric Fryers

Filter Plumbing



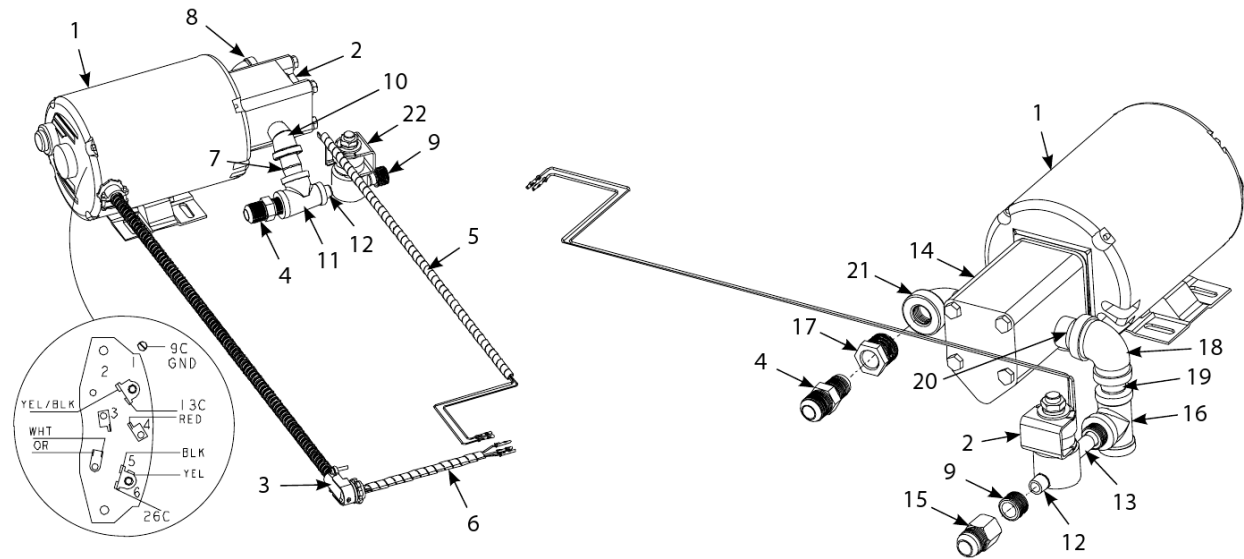
Application Series Electric Fryers

Filter Plumbing

#	PART #	DESCRIPTION	QTY	Note
1	1066646	Plumbing Assembly, Filter	1	
2	1064427	Bracket Assembly, Suction Tube	1	
3	8241618	Plate Weldment, Filter Pump	1	
4	8101669	Female Adaptor - 0.875" OD x 0.5"	1	
5	2008404	Bridge, Suction Tube	1	
6	8101057	Flexline - Oil Return - 13" L	1	
7	8101159	Flexline - Oil Return - 5" L	1	

Application Series Electric Fryers

Filter Pump Assemblies



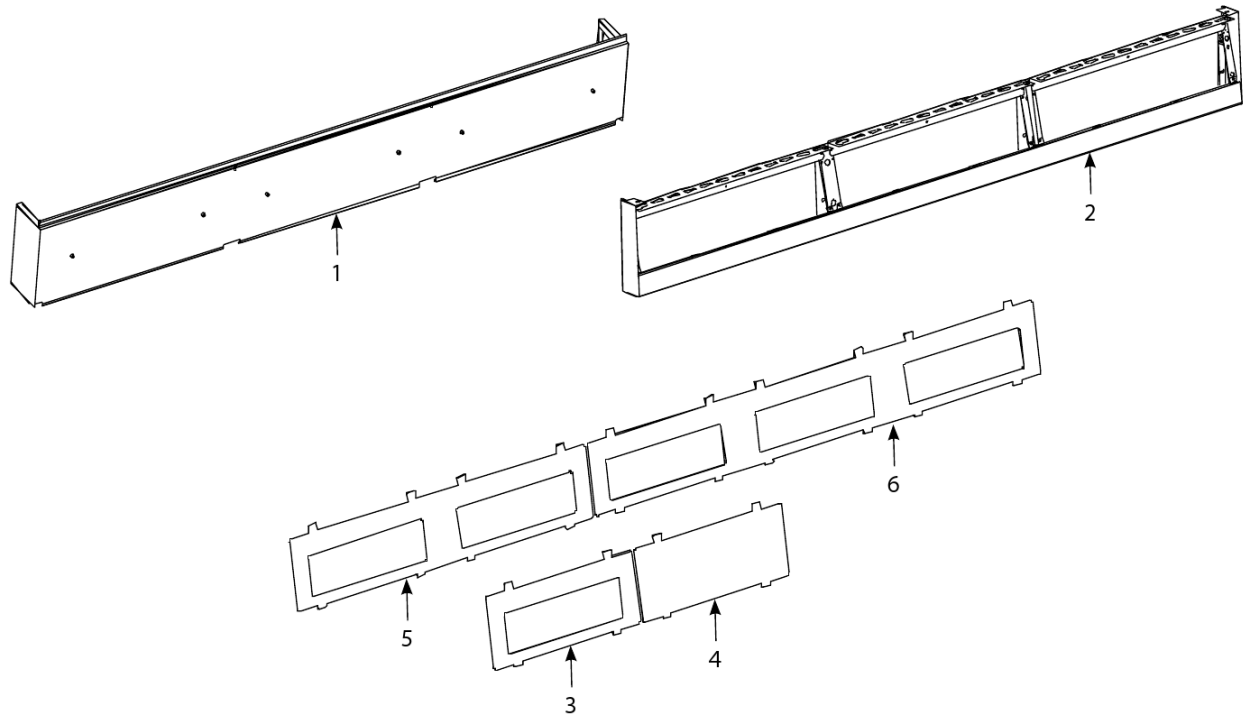
Application Series Electric Fryers

Filter Pump Assemblies

#	PART #	DESCRIPTION	QTY	Note
1	8261712	Motor and Gasket Kit - 115V/50-60 Hz	1	
2	8261264	Pump Kit - 4 GPM	1	
2a	8160093	Gasket - Pump/Motor	1	
3	1065162	Pump, Wiring Assembly	1	
4	8101668	Male Adaptor - 0.625" OD x 0.5"	1	
5	8121497	Wrap, 0.375" x 20" Long Spiral	1	
6	8121500	Wrap, 0.375" x 6" Long Spiral	1	
7	8130022	Nipple, 0.5" Close NPT BM	1	
8	8130165	Elbow - 0.5" x 90° NPT Street	1	
9	8130304	Bushing, 0.5-inch NPT to 0.25-inch NPT Flush Reducing	1	
10	8130342	Elbow, 0.5-inch 45° Street	1	
11	8130530	Tee, Reducing 0.5-inch x 0.25-inch x 0.5-inch	1	
12	8130838	Nipple - 0.25" NPT	1	
13	8130537	Nipple - 0.25" x 2"	1	
14	8263192	Pump Kit - 8 GPM	1	
14a	8160093	Gasket - Pump/Motor	1	
15	8101669	Female Adaptor - 0.875" OD x 0.5"	1	
16	8130003-FRY	Tee - 0.5" NPT	1	
17	8130031	Bushing, 0.75-inch NPT to 0.5-inch Reducer	1	
18	8130068	Elbow - 0.75" NPT x 0.5" NPT x 90°	1	
19	8130087	Nipple, 0.5-inch NPT x 1.5-inch (3.8 cm)	1	
20	8130112	Nipple, 0.75-inch NPT x 2-inch (5.1 cm)	1	
21	8130168	Elbow, 0.75-inch NPT x 90° Street	1	
22	1067598SP	Solenoid Valve - 0.25" NPT	1	

Application Series Electric Fryers

Flue Caps, Control Panel Frame Assemblies and Bezels



Flue Caps, Control Panel Frame Assemblies and Bezels

Application Series Electric Fryers

Flue Caps, Control Panel Frame Assemblies and Bezels

#	PART #	DESCRIPTION	QTY	Note
1	1065319	Fluecap Assemblies, Two Station Fluecaps, DF2x1	1	[1]
1a	1065137	Fluecap Assemblies, Two Station Fluecaps, DF4x5 (24MC/2424)Right Side	1	
1b	1065455	Fluecap Assemblies, Three Station Fluecaps, DF3x1-DF3x2- DF3x3	1	[2]
1c	1066827	Fluecap Assemblies, Three Station Fluecaps, DF3x4	1	[3]
1d	1065432	Fluecap Assemblies, Three Station Fluecaps, DF3x#	1	[4]
1e	1065469	Fluecap Assemblies, Three Station Fluecaps, DF4x5	1	[5]
1f	1064926	Fluecap Assemblies, Three Station Fluecaps, DF6x1	1	[6]
1g	1064927	Fluecap Assemblies, Three Station Fluecaps, DF6x1	1	[7]
1h	8235514	Marine Edge, 3-vat 2424, Without Notches	1	
1i	1067069	Fluecap Assemblies, Three Station Fluecaps, DF5x#	1	[8]
1j	1064389	Fluecap Assemblies, Four Station Fluecaps, DF4x1	1	[9]
1k	1064656	Fluecap Assemblies, Four Station Fluecaps, DF4x2	1	[10]
1l	1065235	Fluecap Assemblies, Four Station Fluecaps, DF4x3	1	[11]
1m	1065378	Fluecap Assemblies, Four Station Fluecaps, DF4x#	1	[12]
1n	1067366	Fluecap Assemblies, Four Station Fluecaps, DF4x#	1	[13]
1o	1064657	Fluecap Assemblies, Five Station Fluecaps, DF5x1	1	[14]
2	1065320	Control Panel Frame Assemblies, Two Station Assembly, DF2x1	1	[15]
2a	1066826	Control Panel Frame Assemblies, Two Station Assembly, DF2x6	1	[16]
2b	1065495	Control Panel Frame Assemblies, Two Station Assembly, DF2x5	1	[17]
2c	1064984	Control Panel Frame Assemblies, Two Station Assembly, DF4x#	1	[18]
2d	1065453	Control Panel Frame Assemblies, Three Station Assembly, DF3x1-DF3x2-DF3-3	1	[19]
2e	1065431	Control Panel Frame Assemblies, Three Station Assembly, DF3x#	1	[4]
2f	1066332	Control Panel Frame Assemblies, Three Station Assembly, DF3x4	1	[3]
2g	1065467	Control Panel Frame Assemblies, Three Station Assembly, DF4x5	1	[5]
2h	1064754	Control Panel Frame Assemblies, Three Station Assembly, DF6x1	1	[20]
2i	1064918	Control Panel Frame Assemblies, Three Station Assembly, DF6x1	1	[7]
2j	1065446	Control Panel Frame Assemblies, Three Station Assembly, 32424E - YUM	1	
2k	1064315	Control Panel Frame Assemblies, Four Station Assembly, DF4x1	1	[21]
2l	1065375	Control Panel Frame Assemblies, Four Station Assembly, DF4x2	1	[10]
2m	1064433	Control Panel Frame Assemblies, Four Station Assembly, DF4x3	1	[11]
2n	1067367	Control Panel Frame Assemblies, Four Station Assembly, DF4x#	1	[13]
2o	1064456	Control Panel Frame Assemblies, Five Station Assembly, DF5x1	1	[22]
3	2105046	Bezel - One-Controller	1	
3a	2109266	Bezel - Single D60 - DF4x#	1	

Flue Caps, Control Panel Frame Assemblies and Bezels

Application Series Electric Fryers

Flue Caps, Control Panel Frame Assemblies and Bezels

#	PART #	DESCRIPTION	QTY	Note
3b	2108971	Bezels, Single, Flatbottom - DF4x5, DF4x#, DF6x#	1	
3c	2107002	Controller Bezel, Blank Bezel, Single	1	
4	2300439	Bezels, Single, 2424 Blank - DF4x5	1	
4a	2300394	Bezels, Single, 2424 -with Thermatron	1	
4b	2300394	Bezels, Single, 2424 -with Thermatron	1	
5	2300090	Bezels, Two Station, D160/MJ-H1x5 - DF2x1, DF2x2, DF2x3,	1	
5a	2105819	Bezel - Two-Controller	1	
5b	2108522	Bezels - Two Station	1	
5c	2108175	Computer Bezel (Old Style), Standard, x2, x3 (1), x4 (2), x5 (2), x6 (3)	1	
5d	2301675	Bezels, Two Station, DF2x5	1	[17]
6	2300410	Bezels, Three Station, D60/MJ/H2x5 - DF3x1, DF3x2. DF3x3	1	
6a	2301948	Bezels, Three Station, D350 - DF3x4	1	[3]
6b	2300338	Bezels, Three Station, MJ-Hx5/D60/1824 - DF3x#	1	
6c	2108509	Bezels, Three Station, D360 - DF5x1	1	

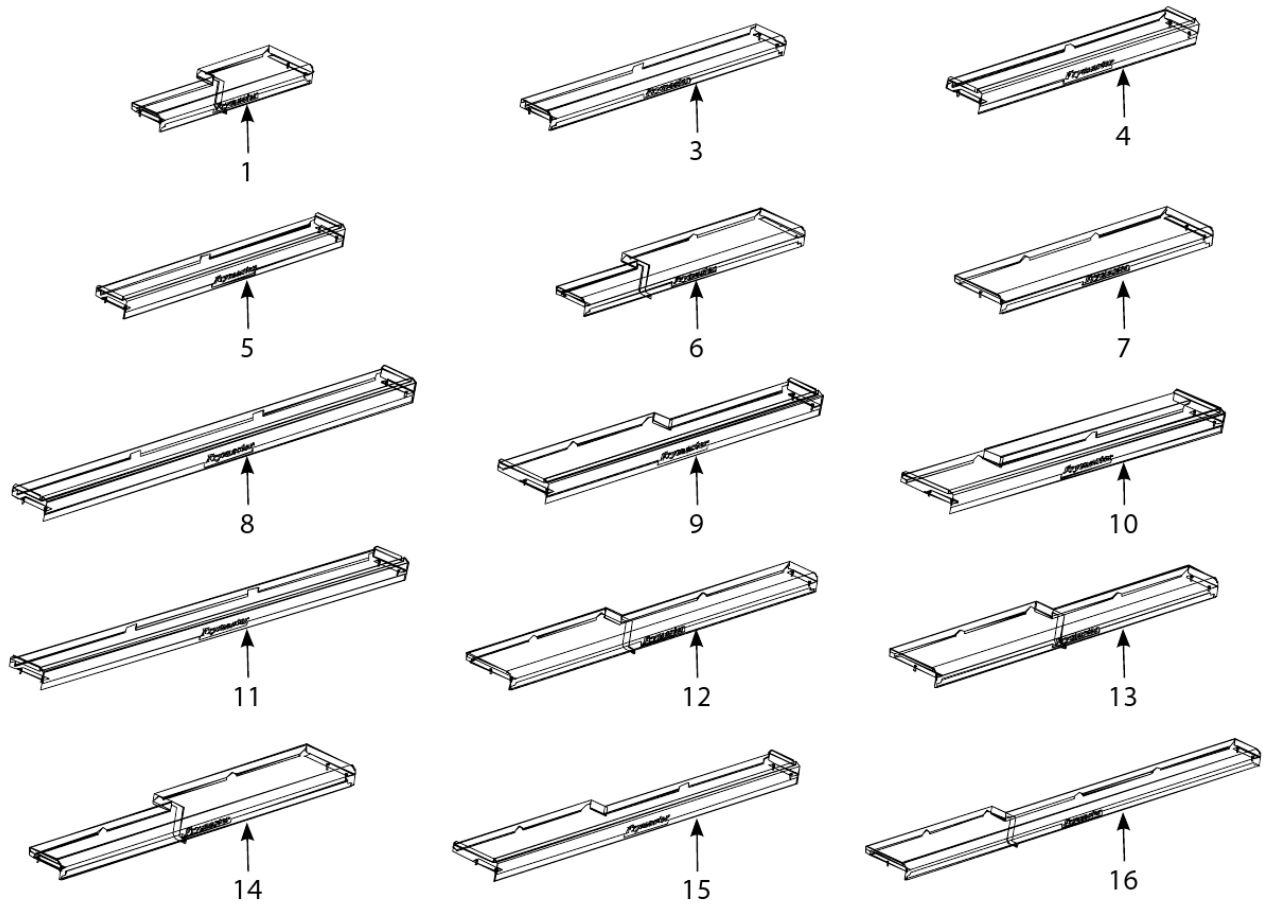
PART NOTES:

- [1] - SCFD160/MJ-H1x5CSC, DF2x3 SCFD160/MJ-H1x5SC
- [2] - D60/MJ-H2x5,DF2x5 D160/15MC/MJ-H1x5
- [3] - MJ-H1x5/DD250
- [4] - MJ-Hx5/D60/1824
- [5] - MJ-H3x5Left Side
- [6] - MJ-H2x5/2424 Left Side
- [7] - 32424Right Side
- [8] - 22424/MC/MJ-H2x5
- [9] - MJ-H2x5/SCFD260, DF4x4 MJ-H2x5SC/SCFD260
- [10] - MJ-H2x5/SCFD250
- [11] - SCFD250/MJ-H2x5
- [12] - MJ-H2x5/21824
- [13] - SCFD160/MC/MJ-H3x5
- [14] - MJ-H3x5/SCFD360, DF5x# MJ-H2x5/D360
- [15] - SCFD160/MJ-H1x5CSC,DF2x3 SCFD160/MJ-H1x5SC
- [16] - MJ-H1x5/DD150
- [17] - D160/15MC/MJ-H1x5
- [18] - 24MC/2424, DF4x# 32424/D60
- [19] - D60/MJH2x5
- [20] - MJ-H2x5/2424Left Side
- [21] - MJ-H2x5/SCFD260, DF4x4MJ-H2x5SC/SCFD260,Control Panel Frame Assemblies, Four Station Assembly, DF4x# MJ-H2x5/21824
- [22] - MJ-H2x5/SCFD360, DF5x#MJ-H2x5/D360

Flue Caps, Control Panel Frame Assemblies and Bezels

Application Series Electric Fryers

Top Cap Assemblies



Top Cap Assemblies

FRY_P_0013_1_15_Top Cap Assemblies.pdf



Application Series Electric Fryers

Top Cap Assemblies

#	PART #	DESCRIPTION	QTY	Note
1	1065318	Topcap Assemblies / Marine Edges, Two Station Topcaps, DF2x1	1	[1]
2	1065496	Topcap Assemblies / Marine Edges, Three Station Topcaps, DF3x1-DF3x2-DF3x3-DF3x5	1	[2]
2a	1066798	Topcap Assemblies / Marine Edges, Two Station Topcaps, DF2x6	1	[3]
3	1065471	Topcap Assemblies / Marine Edges, Two Station Topcaps, DF4x5	1	[4]
4	8235301	Topcap Assemblies / Marine Edges, Two Station Topcaps, DF4x#	1	[5]
5	8235308	Topcap Assemblies / Marine Edges, Two Station Topcaps, DF4x#	1	[6]
5a	8235478	Topcap Assemblies / Marine Edges, Two Station Topcaps, DF4x#	1	[7]
6	1065496	Topcap Assemblies / Marine Edges, Three Station Topcaps, DF3x1-DF3x2-DF3x3-DF3x5	1	[8]
7	1065470	Topcap Assemblies / Marine Edges, Three Station Topcaps, DF4x5	1	[9]
8	8235123	Topcap Assemblies / Marine Edges, Three Station Topcaps, DF6x1	1	[10]
9	8235078	Topcap Assemblies / Marine Edges, Three Station Topcaps, DF6x1	1	[11]
10	8235504	Topcap Assemblies / Marine Edges, Three Station Topcaps, DF3x#	1	[12]
11	8235514	Marine Edge, 3-vat 2424, Without Notches	1	
11a	8235989	Topcap Assemblies / Marine Edges, Three Station Topcaps, DF5x#	1	[13]
11b	8235982	Topcap Assemblies / Marine Edges, Three Station Topcaps, DF5x#	1	[14]
12	1064653	Topcap Assemblies / Marine Edges, Four Station Topcaps, DF4x1	1	[15]
13	1064654	Topcap Assemblies / Marine Edges, Four Station Topcaps, DF4x2	1	[16]
14	1065234	Topcap Assemblies / Marine Edges, Four Station Topcaps, DF4x3	1	[17]
14a	1067638	Topcap Assemblies / Marine Edges, Four Station Topcaps, DF4x6	1	[18]
15	8235467	Topcap Assemblies / Marine Edges, Four Station Topcaps, DF4x#	1	[19]
15a	1067368	Topcap Assemblies / Marine Edges, Four Station Topcaps, DF4x#	1	[20]
16	1064655	Topcap Assemblies / Marine Edges, Five Station Topcaps, DF5x1	1	[21]

PART NOTES:

- [1] - SCFD160/MJ-H1x5CSC,DF2x3 SCFD160/MJ-H1x5SC
- [2] - D160/15MC/MJ-H1x5
- [3] - MJ-H1x5/DD150
- [4] - MC24/2424Right Side
- [5] - 2424/D60Right Side
- [6] - 22424 Right Side notched on left
- [7] - 22424 Left Side notched on right
- [8] - D60/MJ-H2x5

Top Cap Assemblies

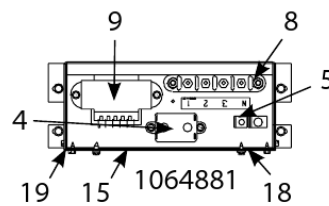
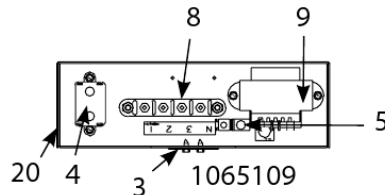
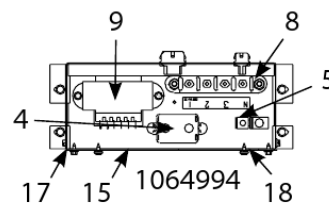
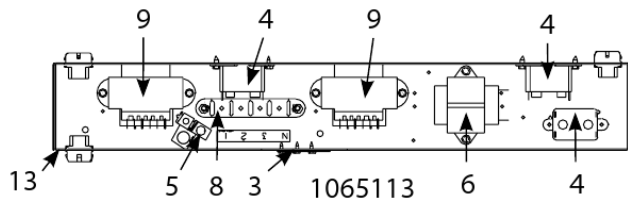
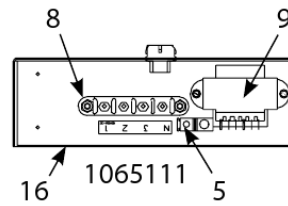
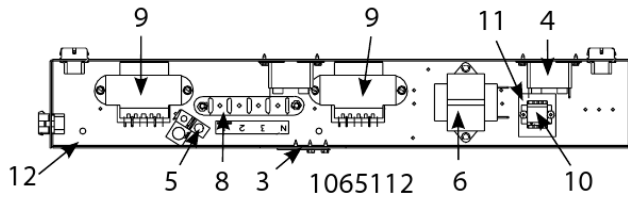
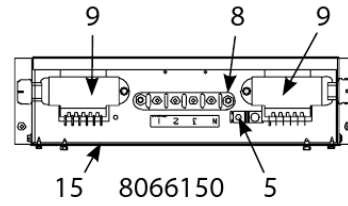
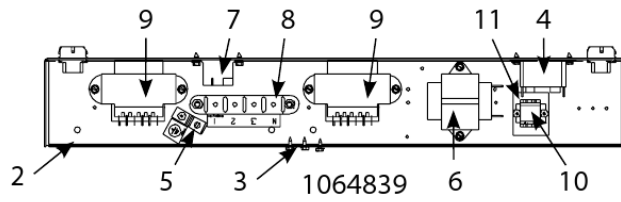
Application Series Electric Fryers

Top Cap Assemblies

#	PART #	DESCRIPTION	QTY	Note
[9]	- MJ-H3x5	Left Side		
[10]	- 32424	Right Side		
[11]	- MJ-H2x5/2424	Left Side		
[12]	- MJ-Hx5/D60/1824			
[13]	- 22424/MC/MJ-H3x5	Notched Right Left Side		
[14]	- 22424/MC/MJ-H3x5	Notched Left Right Side		
[15]	- MJ-H2x5/SCFD260, DF4x4	MJ-H2x5SC/SCFD260		
[16]	- MJ-H2x5/SCFD250			
[17]	- SCFD250/MJ-H2x5			
[18]	- D460	Filter Right		
[19]	- MJ-H2x5/21824			
[20]	- SCFD160/MC/MJ-H3x5			
[21]	- MJ-H2x5/D360			

Application Series Electric Fryers

Transformer and Filter Box Assemblies



Transformer and Filter Box Assemblies

Application Series Electric Fryers

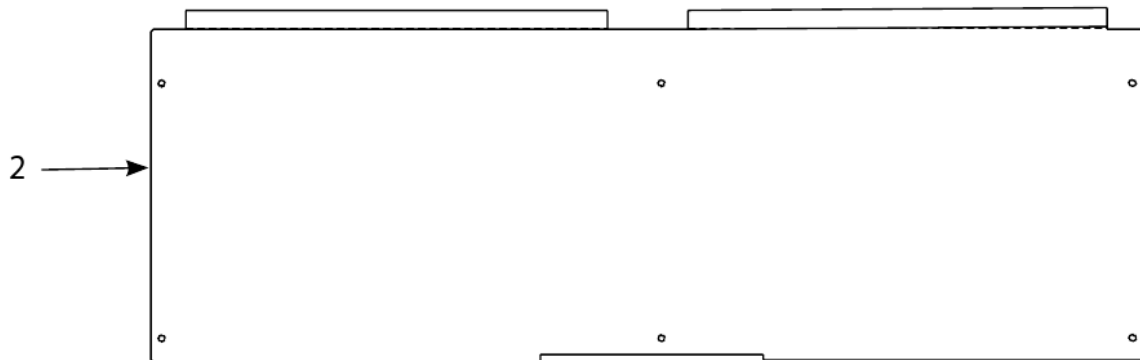
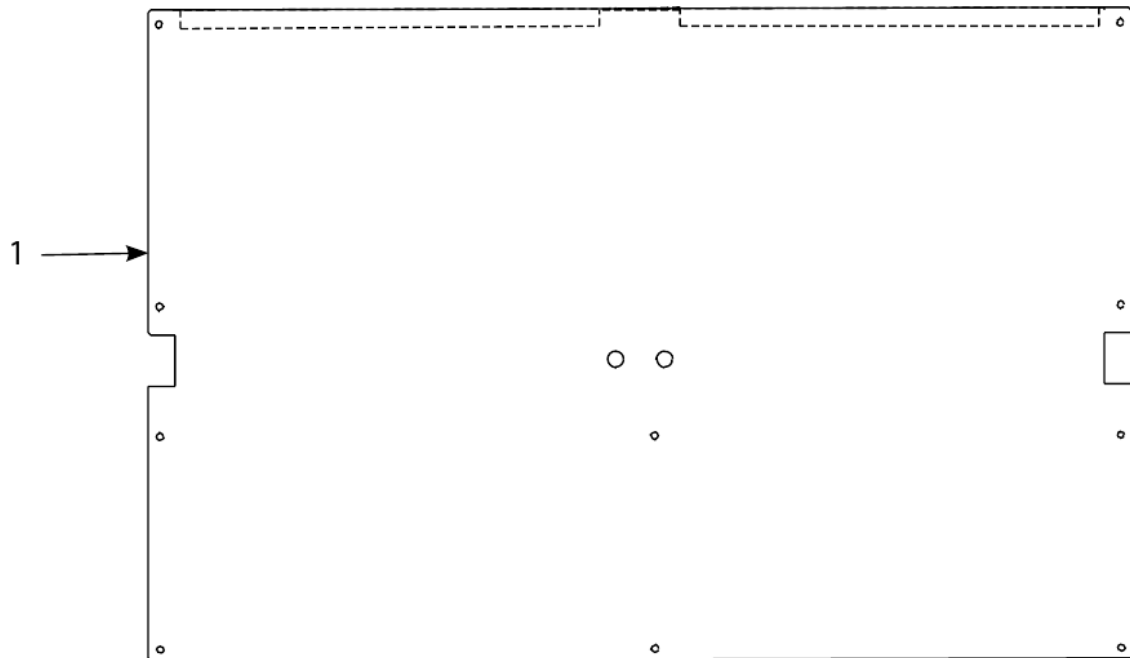
Transformer and Filter Box Assemblies

#	PART #	DESCRIPTION	QTY	Note
1	1064839	Box Assembly, Transformer/Filter Common Cabinet 2xx	1	
1a	1065112	Box Assembly, Transformer/Filter Tube/Flatbottom	1	
1b	1065113	Box Assembly, Transformer/Filter Flatbottom/Flatbottom	1	
1c	8066150	Box Assembly, Transformer 100/120V H255	1	
1d	1065111	Box Assembly, Transformer Tube/Open Single	1	
1e	1064881	Box Assembly, Transformer 1824/2424	1	
1f	1065109	Box Assembly, Transformer Flatbottom Single	1	
1g	1064994	Box Assembly, Filter 1824/2424	1	
2	8235553	Box, Transformer BIPH252, 452	1	
2a	2001415	Cover, Transformer Box	1	
3	2006721	Plate, Strain Relief	1	
4	8070012	Filter Relay - 18A 24VAC	1	
5	8070070	Terminal, Ground Lug	1	
6	8070800	Transformer, 100-120V/24V 50VA Filter and MIB	1	
7	8071683	Relay, 12VDC Secondary Blower Fan to cool frypot	1	
8	8071973	Terminal, Post	1	
9	8074978	Transformer - Dual Voltage 100-120V/12V 30VA /24V 50VA	1	
10	8101164	Block, One-Piece Screwless Terminal	1	
11	8160217	Insulation, Terminal Block Paper	1	
12	8241557	Box, Weldment, Tube/FB Filter	1	
12a	2001415	Cover, Transformer Box	1	
13	8241558	Box, Weldment, FB/FB and Filter	1	
13a	2001415	Cover, Transformer Box	1	
14	9002700	Box, Transformer H250/H252	1	
14a	9002702	Cover, H250/252 Transformer Box Top	1	
15	9002703-FRY	Cover, MH152 Transformer Box Left	1	
16	8241530	Box, Weldment, Transformer Common Cabinet	1	
16a	2009392	Cover, Transformer Box Common Cabinet	1	
17	2009288	Box, Transformer 1824/2424 Common Cabinet	1	
17a	9002708	Cover, MH152 Transformer Box Top	1	
18	9002709	Cover, MH152 Transformer Box Right	1	
19	2009049	Box, Transformer 1824/2424 Common Cabinet	1	
19a	9002708	Cover, MH152 Transformer Box Top	1	
20	8241551	Box W/A, Flatbottom Single	1	
20a	2009392	Cover, Transformer Box Common Cabinet	1	

Transformer and Filter Box Assemblies

Application Series Electric Fryers

Upper and Lower Cabinet Back Panels



Application Series Electric Fryers

Upper and Lower Cabinet Back Panels

#	PART #	DESCRIPTION	QTY	Note
1	2008886	Upper Cabinet Backs, Single Station Backs, 2424 - DF4x# (32424/D60), DF6x1 (MJ-H2x5/FB24/32424)	1	
1a	2200366	Back, Upper Cabinet, 2424	1	
1b	2200093	Fluorescent Bulb - 14W	1	
1c	2008593	Upper Cabinet Backs, Two Station Backs, D250 - DF4x1 (MJ-H2x5/SCFD260), DF4x2 (MJH2x5/SCFD250)<hr>DF4x3 (SCFD250/MJ-H2x5), DF4x# (MJ245/21824),<hr>DF5x1 (MJ-H2x5/SCFD360), DF5x# (MJ-H2x5/D360),DF6x1 (MJ-H2x5/FB24/32424)	1	
1d	2300241	Upper Cabinet Backs, Two Station Backs, D250/MJ-H2x5 - DF4x4 (MJ-H2x5SC/SCFD260)	1	[1]
1e	2008458	Upper Cabinet Backs, Two Station Backs, D260 - DF4x1 (MJ-H2x5/SCFD260)	1	
1f	2300239	Upper Cabinet Backs, Two Station Backs, D260 - DF4x4 (MJ-H2x5SC/SCFD260)	1	[1]
1g	2008457	Upper Cabinet Backs, Two Station Backs, MJ-H2x5 - DF4x2 (MJ-H2x5/SCFD250)	1	
1h	2009781	Upper Cabinet Backs, Two Station Backs, 21824 or FB/D60, DF4x# (MJ-H2x5/21824), DF4x#(32424/D60)	1	
1i	2000481	Upper Cabinet Backs, Two Station Backs, 22424- DF4x5 (MJ-H3x5/24MC/2424)	1	
1j	2200413	Upper Cabinet Backs, Three Station Backs, D60/MJ-H2x5 - DF3x1 (D60/MJ-H2x5),DF2x5 (D160/15MC/MJ-H1x5)	1	
1k	2200337	Upper Cabinet Backs, Three Station Backs, MJ-Hx5/D60/1824 - DF3x# (MJ-Hx5/D60/1824)	1	
1l	2200440	Upper Cabinet Backs, Three Station Backs, MJ-H3x5-DF4x5 (MJ-H3x5/24MC/2424)	1	
1m	2008597	Upper Cabinet Backs, Three Station Backs, D360 - DF5x1 (MJ-H2x5/SCFD360), DF5x# (MJH2x5/D360)	1	
2	2008885	Lower Cabinet Backs, Single Station Backs, 2424 - DF4x# (32424/D60), DF6x1 (MJ-H2x5/FB24/32424)	1	
2a	2200365	Back, Lower Cabinet, 2424	1	
2b	2200091	Lower Cabinet Backs, Two Station Backs, D60/MJ-Hx5 - DF2x1 (SCFD160/MJ-H1x5CSC),DF2x2 (SCFD150/MJ-H1x5SC), DF2x3 (SCFD160/MJ-H1x5SC)	1	
2c	2008594	D250 - DF4x1 (MJ-H2x5/SCFD260), DF4x2 (MJ-H2x5/SCFD250),DF4x3 (SCFD250/MJ-H2x5), DF4x# (MJ245/21824),DF5x1 (MJ-H2x5/SCFD360), DF5x# (MJ-H2x5/D360),DF6x1 (MJ-H2x5/FB24/32424)	1	
2d	2300242	Lower Cabinet Backs, Two Station Backs, D250/MJ-H2x5 - DF4x4 (MJ-H2x5SC/SCFD260)	1	[1]
2e	2008595	Lower Cabinet Backs, Two Station Backs, D260 - DF4x1 (MJ-H2x5/SCFD260)	1	
2f	2300240	Lower Cabinet Backs, Two Station Backs, D260 - DF4x4 (MJ-H2x5SC/SCFD260)	1	[1]
2g	2008539	Lower Cabinet Backs, Two Station Backs, MJ-H2x5 - DF4x2 (MJ-H2x5/SCFD250)	1	
2h	2200180	Lower Cabinet Backs, Two Station Backs, 21824 or FB/D60 - DF4x# (MJ-H2x5/21824), DF4x#(32424/D60)	1	
2i	2000179	Lower Cabinet Backs, Two Station Backs, 22424- DF4x5 (MJ-H3x5/24MC/2424)	1	
2j	2200412	Lower Cabinet Backs, Three Station Backs, D160/MJ-H2x5 - DF3x1 (D160/MJ-H2x5), DF2x5 (D160/MC/MJ-H1x5)	1	
2k	2200336	Lower Cabinet Backs, Three Station Backs, MJ-H1x5/D160/1824 - DF3x# (MJ-H1x5/D160/1824)	1	

Upper and Lower Cabinet Back Panels

Application Series Electric Fryers

Upper and Lower Cabinet Back Panels

#	PART #	DESCRIPTION	QTY	Note
2l	2200441	Lower Cabinet Backs, Three Station Backs, MJ-H3x5-DF4x5 (MJ-H3x5/24MC/2424)	1	
2m	2008596	Lower Cabinet Backs, Three Station Backs, D360 - DF5x1 (MJ-H2x5/SCFD360), DF5x# (MJH2x5/D360)	1	

PART NOTES:

[1] - Stainless steel