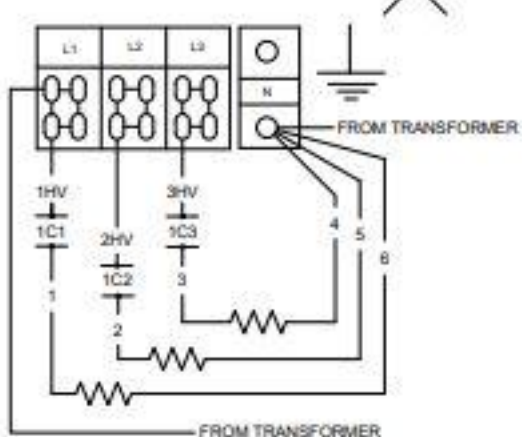
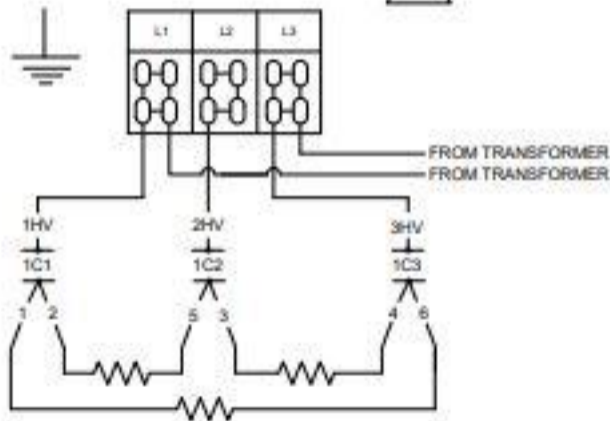


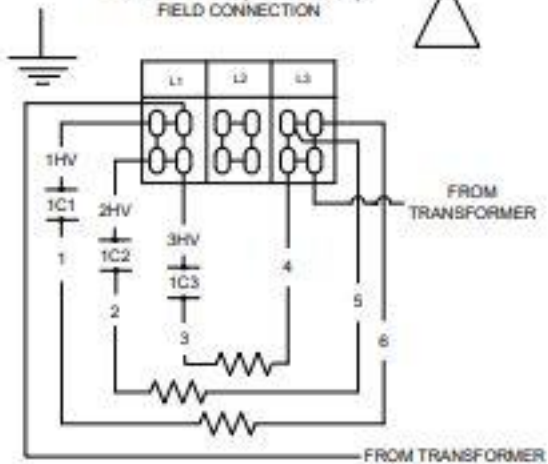
3 PHASE 4 WIRE (WYE)
FIELD CONNECTION



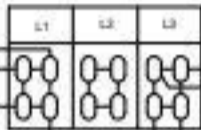
3 PHASE 3 WIRE (DELTA)
FIELD CONNECTION



SINGLE PHASE (NO NEUTRAL)
FIELD CONNECTION



SINGLE PHASE
FIELD CONNECTION



NEUTRAL TO L3

1HV

1C1

1

2HV

1C2

2

3HV

1C3

3

4

5

6

FROM TRANSFORMER

FROM TRANSFORMER

